



Purchasing Division

ADDENDUM NO. 2

DATE: September 27, 2019
FROM: City of Grand Junction Purchasing Division
TO: All Offerors
RE: City of Grand Junction Fire Station #6 CM/GC RFP-4703-19-DH

Offerors responding to the above referenced solicitation are hereby instructed that the requirements have been clarified, modified, superseded and supplemented as to this date as hereinafter described.

Please make note of the following clarifications:

1. For Contractor's review, please see the attached MEP "as-built" drawings for Fire Station #4, which Fire Station #6 shall be based on.

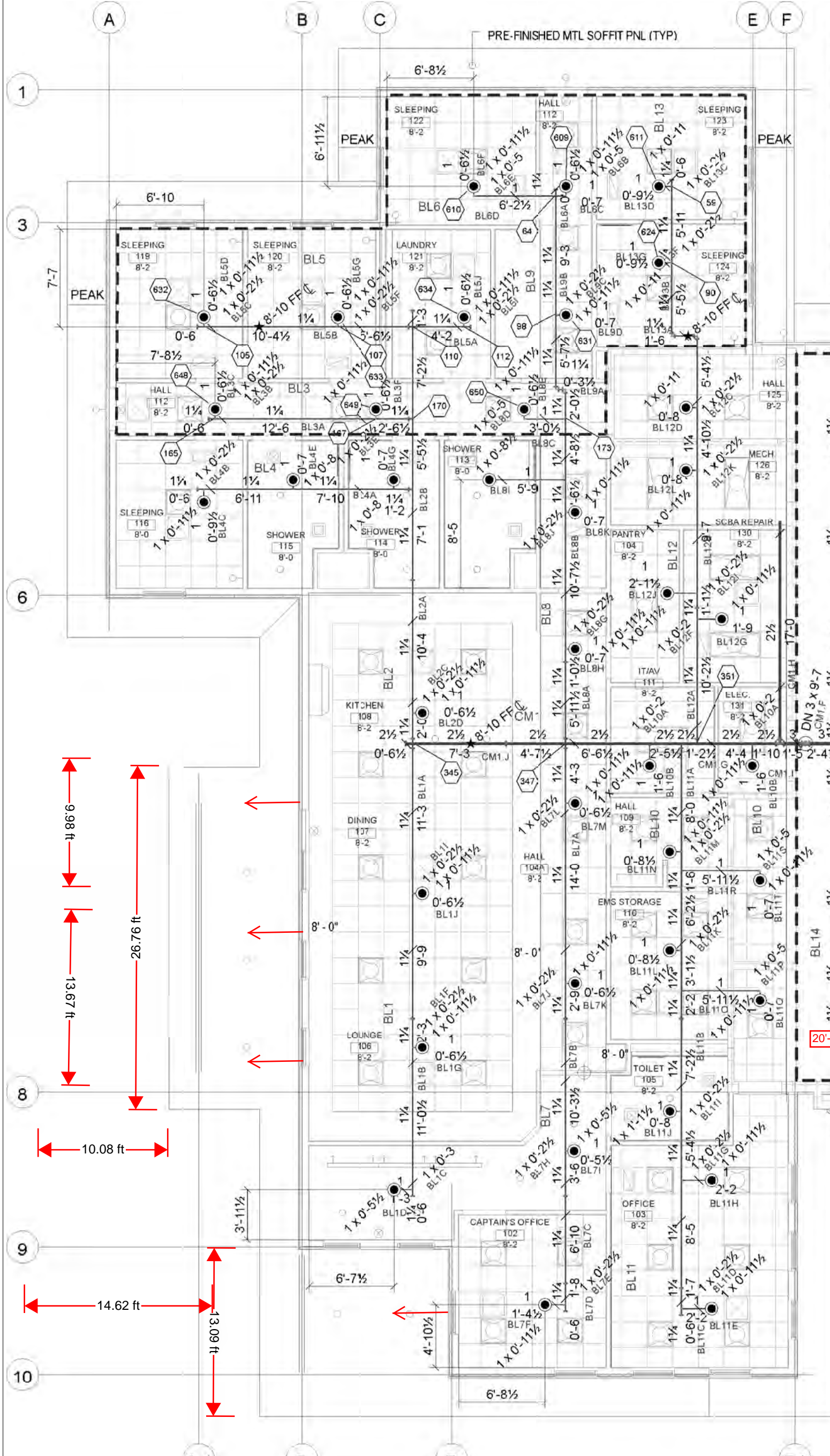
The original solicitation for the project noted above is amended as noted.

All other conditions of subject remain the same.

Respectfully,

A handwritten signature in black ink, appearing to read "Duane Hoff Jr.", written in a cursive style.

Duane Hoff Jr., Senior Buyer
City of Grand Junction, Colorado

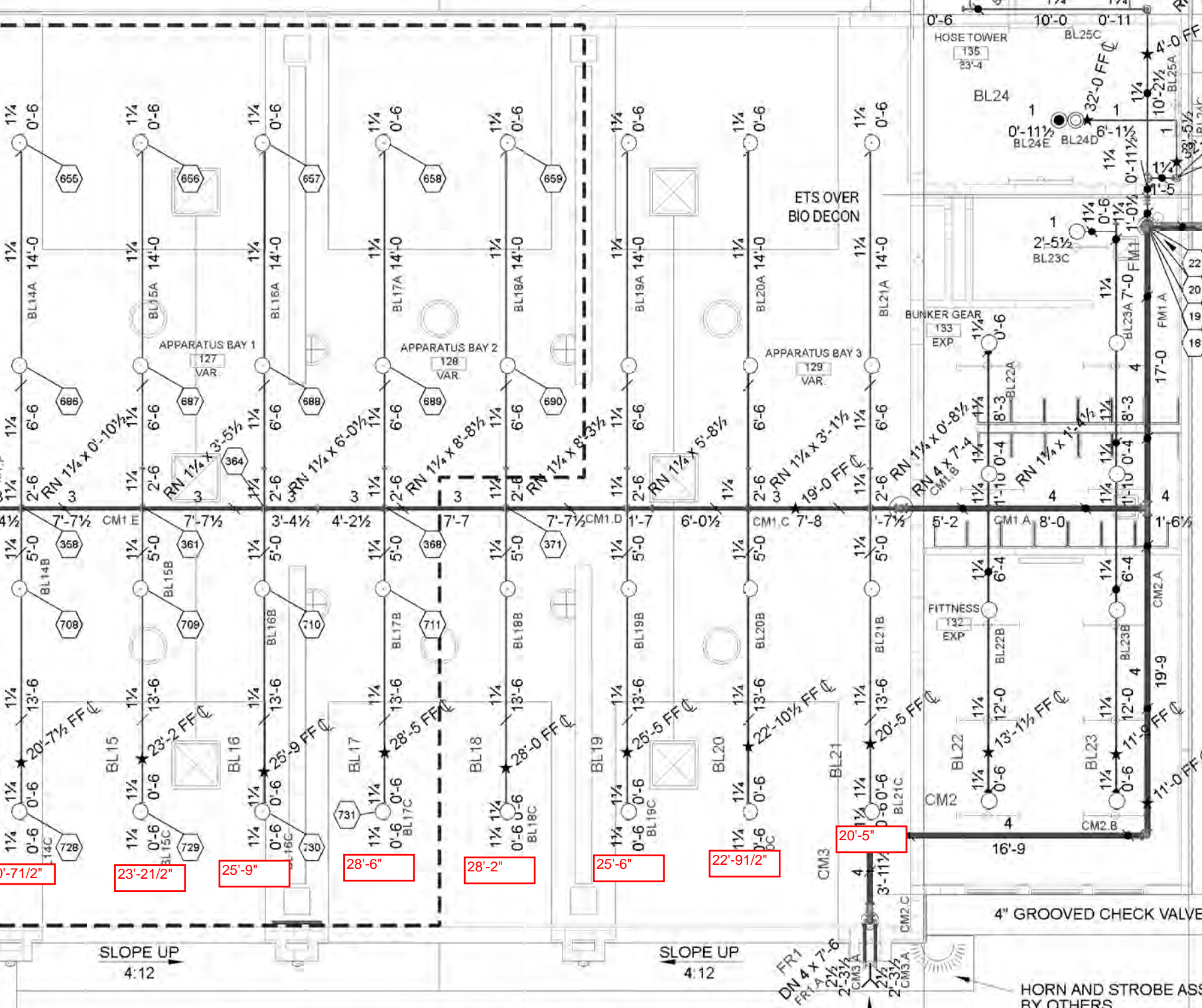


WET SYSTEM FIRE PROTECTION PLAN

SCALE: 1/8" = 1'-0"

Hydraulic Information	
Remote Area Remote Area 3	
OCCUPANCY CLASSIFICATION	Light Hazard
DENSITY	0.10gpm/ft ² for 900.00ft ² (Actual 996.25ft ²)
TOTAL HOSE STREAMS	100.00
DRY CAPACITY	97.34gal
TOTAL HEADS FLOWING	11
K-FACTOR	5.6
TOTAL WATER REQUIRED	340.47
TOTAL PRESSURE REQUIRED	49.415
BASE OF RISER (gpm)	340.47
BASE OF RISER (psi)	49.415
SAFETY MARGIN (psi)	+14.312 (22.5%)

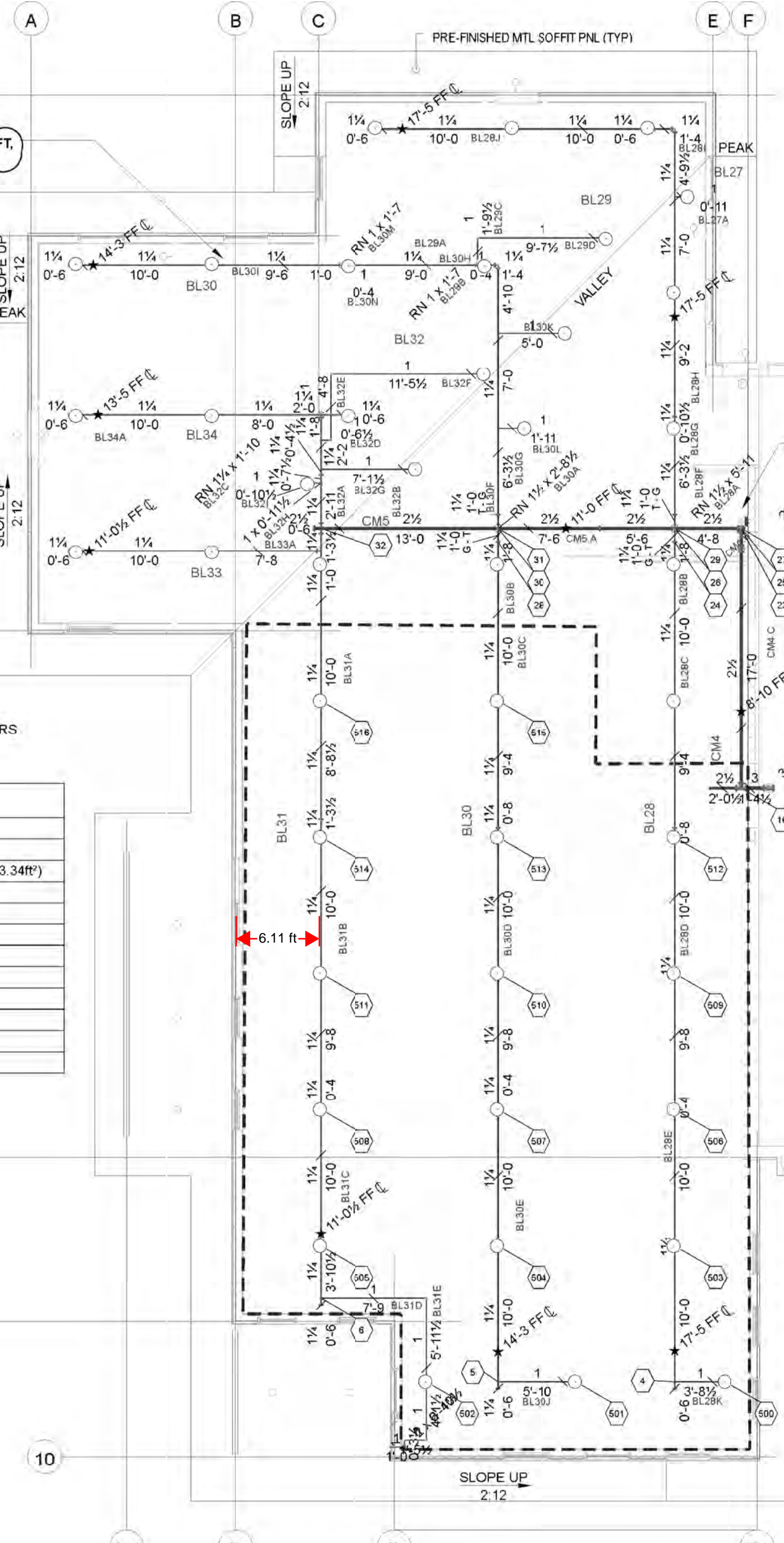
QUICK RESPONSE AREA REDUCTION PER N.F.P.A. 13.11.2.3.2.3.1 2013



Hydraulic Information	
Remote Area Remote Area 2	
OCCUPANCY CLASSIFICATION	Ordinary Group I
DENSITY	0.15gpm/ft ² for 1950.00ft ² (Actual 1947.72ft ²)
TOTAL HOSE STREAMS	250.00
DRY CAPACITY	97.34gal
TOTAL HEADS FLOWING	18
K-FACTOR	4.2
TOTAL WATER REQUIRED	574.44
TOTAL PRESSURE REQUIRED	48.685
BASE OF RISER (gpm)	574.44
BASE OF RISER (psi)	48.685
SAFETY MARGIN (psi)	+14.242 (22.7%)

NOTE: ALL BRANCHLINES SHALL BE PITCHED AT LEAST 1/8" PER 10 FT. AND MAINS SHALL BE PITCHED AT LEAST 1/4" PER 10 FT.

Hydraulic Information	
Remote Area Remote Area 1	
OCCUPANCY CLASSIFICATION	Light Hazard
DENSITY	0.10gpm/ft ² for 2535.00ft ² (Actual 2013.34ft ²)
TOTAL HOSE STREAMS	100.00
DRY CAPACITY	97.34gal
TOTAL HEADS FLOWING	17
K-FACTOR	4.2
TOTAL WATER REQUIRED	338.86
TOTAL PRESSURE REQUIRED	54.551
BASE OF RISER (gpm)	338.86
BASE OF RISER (psi)	54.551
SAFETY MARGIN (psi)	+8.859 (14.0%)



DRY SYSTEM FIRE PROTECTION PLAN

SCALE: 1/8" = 1'-0"

DRY SYSTEM RISER DETAIL

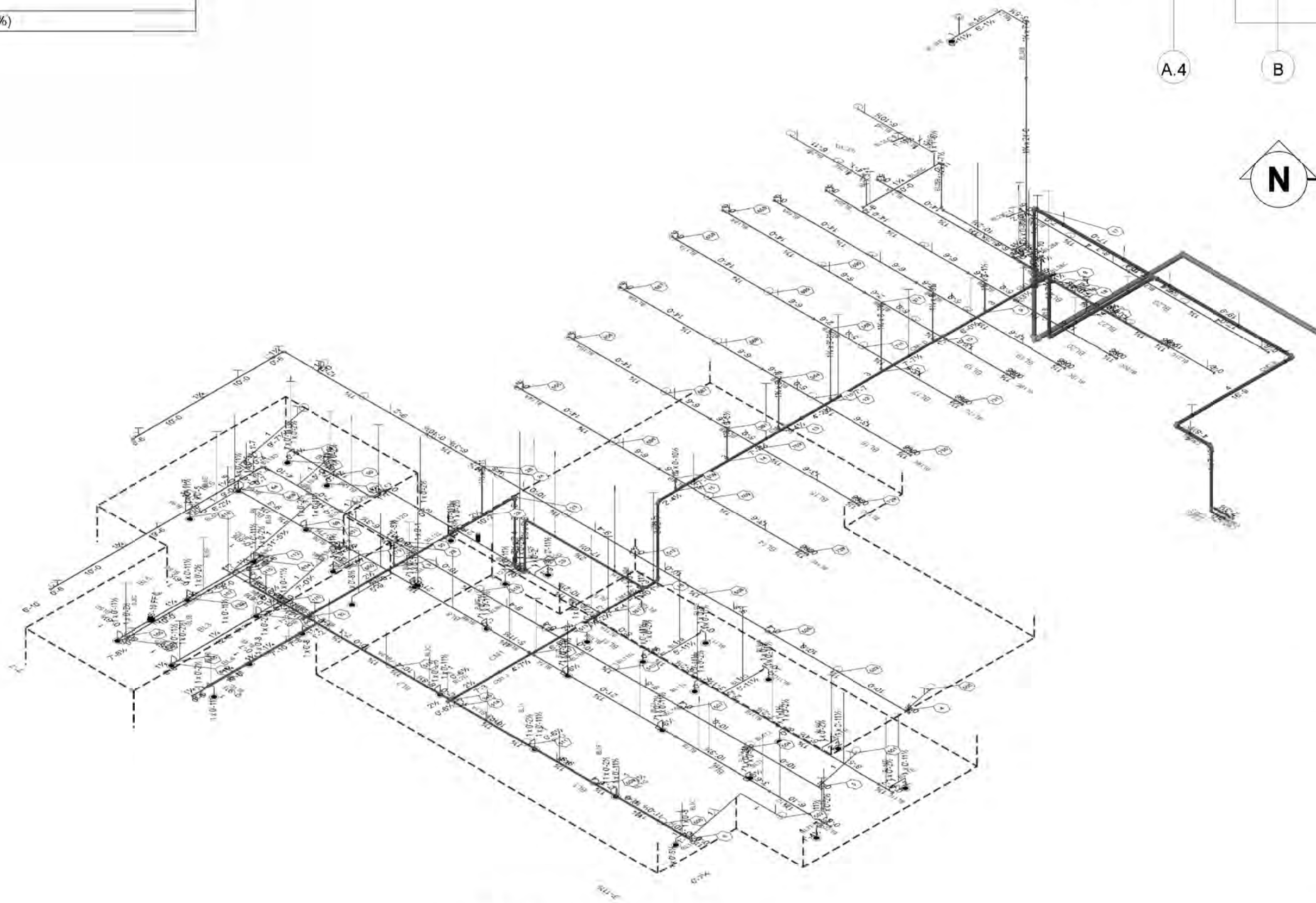
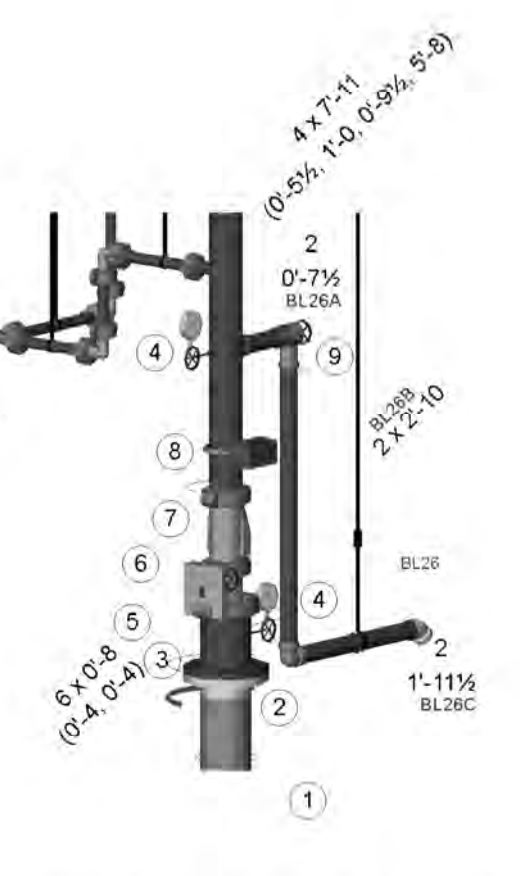
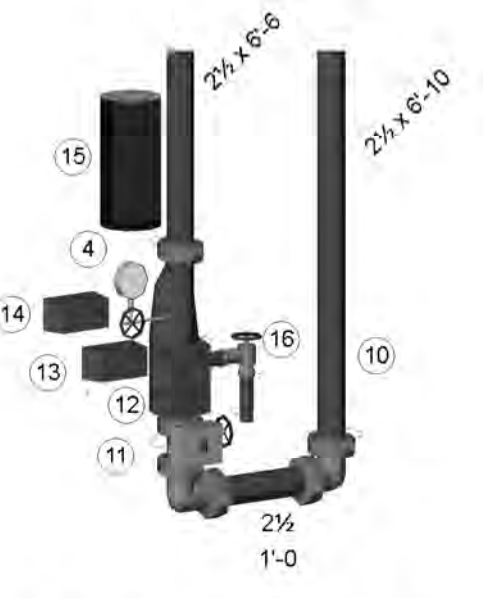
SCALE: NO SCALE

MAIN BUILDING RISER DETAIL

SCALE: NO SCALE

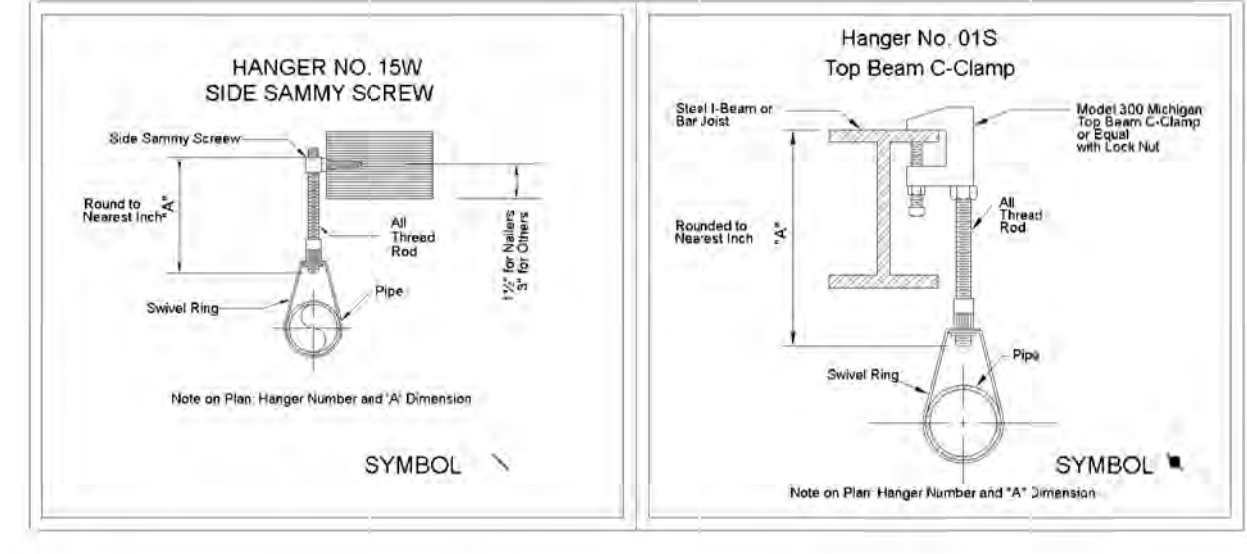
GENERAL NOTES

- 6" UNDERGROUND INSTALLED BY OTHERS.
- 6" FLANGE GROOVE ADAPTER.
- 6" GALVANIZED SPOOL PIECE GXG.
- 300# GAUGE ASSEMBLY.
- 6"x4" GROOVE REDUCING COUPLING.
- 4" GROOVED BUTTERFLY VALVE WITH TAMPER SWITCH.
- 4" GROOVED CHECK VALVE.
- 4" FLOW SWITCH.
- 2" AGF TEST AND DRAIN ASSEMBLY.
- 2 1/2" SUPPLY FROM THE WET SYSTEM.
- 2 1/2" GROOVE BUTTERFLY VALVE WITH TAMPER SWITCH.
- 2 1/2" TYCO DRY PIPE VALVE WITH STANDARD TRIM.
- POTTER PS-10-2A PRESSURE SWITCH.
- POTTER PS-40 PRESSURE SWITCH.
- GENERAL AIR RISER MOUNT AIR COMPRESSOR.
- 1 1/2" MAIN DRAIN VALVE.



ISOMETRIC PLAN

SCALE: 1/8" = 1'-0"



GENERAL NOTES

- ALL PIPE AND HANGER INSTALLATION SHALL CONFORM TO THE MINIMUM STANDARDS OF N.F.P.A. 13 AND THE GRAND JUNCTION FIRE DEPARTMENT.
- ALL UNDERGROUND PIPING IS INSTALLED AND TESTED BY OTHERS. DYNAMIC FIRE PROTECTION SYSTEMS TO BEGIN WORK AT THE NEW 6" FLANGE INSIDE THE BUILDING.
- SCOPE OF WORK IS INSTALLING SPRINKLER SYSTEM THROUGHOUT THE ENTIRE BUILDING.
- ALL THREADED PIPING 1/2" AND SMALLER TO BE THREADED THINWALL BLACK STEEL.
- ALL GROOVED PIPING WITH WELDED OUTLETS 2" AND LARGER TO BE ASTM 795 THINWALL PIPE.
- 0.0 INDICATES CENTERLINE ABOVE FINISHED FLOOR.
- 2.22 TS INDICATES CENTERLINE BELOW TOP OF STEEL.
- INDICATES HANGER LOCATION.
- INDICATES EXISTING PIPING TO REMAIN.
- ALL PIPE AND HANGER DIMENSIONING IS CENTER TO CENTER EXCEPT FOR THREADED PIPE WHICH IS A CUT DIMENSION.
- ALL NEW AND EXISTING PIPING TO BE HYDROSTATICALLY TESTED PER N.F.P.A. 13.
- UNDERGROUND SUPPLY PIPING TO BE FLUSHED PER N.F.P.A. 13.10.10 BY INSTALLING CONTRACTOR PRIOR TO INSTALLATION OF BACKFLOW PREVENTER.
- OWNER IS RESPONSIBLE FOR MAINTAINING A MINIMUM OF 40' F TO PREVENT FREEZING IN THE AREAS SERVED BY THE WET SPRINKLER SYSTEM.

NICET LEVEL IV DESIGNER
ERIC L. SLATER
#90020

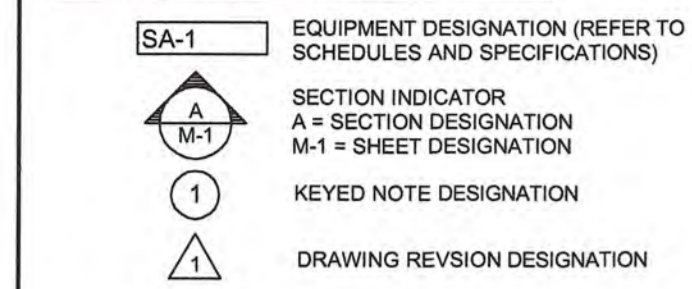
DATE: 09/27/15

HYDRAULIC DESIGN DATA		REVISIONS	
REVISION #	DESCRIPTION	NO.	DATE
1	ISSUES TO CONTRACTOR		
2	ISSUES TO CONTRACTOR		
3	ISSUES TO CONTRACTOR		
4	ISSUES TO CONTRACTOR		
5	ISSUES TO CONTRACTOR		
6	ISSUES TO CONTRACTOR		
7	ISSUES TO CONTRACTOR		
8	ISSUES TO CONTRACTOR		
9	ISSUES TO CONTRACTOR		
10	ISSUES TO CONTRACTOR		
11	ISSUES TO CONTRACTOR		
12	ISSUES TO CONTRACTOR		
13	ISSUES TO CONTRACTOR		
14	ISSUES TO CONTRACTOR		
15	ISSUES TO CONTRACTOR		
16	ISSUES TO CONTRACTOR		
17	ISSUES TO CONTRACTOR		
18	ISSUES TO CONTRACTOR		
19	ISSUES TO CONTRACTOR		
20	ISSUES TO CONTRACTOR		
21	ISSUES TO CONTRACTOR		
22	ISSUES TO CONTRACTOR		
23	ISSUES TO CONTRACTOR		
24	ISSUES TO CONTRACTOR		
25	ISSUES TO CONTRACTOR		
26	ISSUES TO CONTRACTOR		
27	ISSUES TO CONTRACTOR		
28	ISSUES TO CONTRACTOR		
29	ISSUES TO CONTRACTOR		
30	ISSUES TO CONTRACTOR		
31	ISSUES TO CONTRACTOR		
32	ISSUES TO CONTRACTOR		
33	ISSUES TO CONTRACTOR		
34	ISSUES TO CONTRACTOR		
35	ISSUES TO CONTRACTOR		
36	ISSUES TO CONTRACTOR		
37	ISSUES TO CONTRACTOR		
38	ISSUES TO CONTRACTOR		
39	ISSUES TO CONTRACTOR		
40	ISSUES TO CONTRACTOR		
41	ISSUES TO CONTRACTOR		
42	ISSUES TO CONTRACTOR		
43	ISSUES TO CONTRACTOR		
44	ISSUES TO CONTRACTOR		
45	ISSUES TO CONTRACTOR		
46	ISSUES TO CONTRACTOR		
47	ISSUES TO CONTRACTOR		
48	ISSUES TO CONTRACTOR		
49	ISSUES TO CONTRACTOR		
50	ISSUES TO CONTRACTOR		
51	ISSUES TO CONTRACTOR		
52	ISSUES TO CONTRACTOR		
53	ISSUES TO CONTRACTOR		
54	ISSUES TO CONTRACTOR		
55	ISSUES TO CONTRACTOR		
56	ISSUES TO CONTRACTOR		
57	ISSUES TO CONTRACTOR		
58	ISSUES TO CONTRACTOR		
59	ISSUES TO CONTRACTOR		
60	ISSUES TO CONTRACTOR		
61	ISSUES TO CONTRACTOR		
62	ISSUES TO CONTRACTOR		
63	ISSUES TO CONTRACTOR		
64	ISSUES TO CONTRACTOR		
65	ISSUES TO CONTRACTOR		
66	ISSUES TO CONTRACTOR		
67	ISSUES TO CONTRACTOR		
68	ISSUES TO CONTRACTOR		
69	ISSUES TO CONTRACTOR		
70	ISSUES TO CONTRACTOR		
71	ISSUES TO CONTRACTOR		
72	ISSUES TO CONTRACTOR		
73	ISSUES TO CONTRACTOR		
74	ISSUES TO CONTRACTOR		
75	ISSUES TO CONTRACTOR		
76	ISSUES TO CONTRACTOR		
77	ISSUES TO CONTRACTOR		
78	ISSUES TO CONTRACTOR		
79	ISSUES TO CONTRACTOR		
80	ISSUES TO CONTRACTOR		
81	ISSUES TO CONTRACTOR		
82	ISSUES TO CONTRACTOR		
83	ISSUES TO CONTRACTOR		
84	ISSUES TO CONTRACTOR		
85	ISSUES TO CONTRACTOR		
86	ISSUES TO CONTRACTOR		
87	ISSUES TO CONTRACTOR		
88	ISSUES TO CONTRACTOR		
89	ISSUES TO CONTRACTOR		
90	ISSUES TO CONTRACTOR		
91	ISSUES TO CONTRACTOR		
92	ISSUES TO CONTRACTOR		
93	ISSUES TO CONTRACTOR		
94	ISSUES TO CONTRACTOR		
95	ISSUES TO CONTRACTOR		
96	ISSUES TO CONTRACTOR		
97	ISSUES TO CONTRACTOR		
98	ISSUES TO CONTRACTOR		
99	ISSUES TO CONTRACTOR		
100	ISSUES TO CONTRACTOR		
101	ISSUES TO CONTRACTOR		
102	ISSUES TO CONTRACTOR		
103	ISSUES TO CONTRACTOR		
104	ISSUES TO CONTRACTOR		
105	ISSUES TO CONTRACTOR		
106	ISSUES TO CONTRACTOR		
107	ISSUES TO CONTRACTOR		
108	ISSUES TO CONTRACTOR		
109	ISSUES TO CONTRACTOR		
110	ISSUES TO CONTRACTOR		
111	ISSUES TO CONTRACTOR		
112	ISSUES TO CONTRACTOR		
113	ISSUES TO CONTRACTOR		
114	ISSUES TO CONTRACTOR		
115	ISSUES TO CONTRACTOR		
116	ISSUES TO CONTRACTOR		
117	ISSUES TO CONTRACTOR		
118	ISSUES TO CONTRACTOR		
119	ISSUES TO CONTRACTOR		
120	ISSUES TO CONTRACTOR		
121	ISSUES TO CONTRACTOR		
122	ISSUES TO CONTRACTOR		
123	ISSUES TO CONTRACTOR		
124	ISSUES TO CONTRACTOR		
125	ISSUES TO CONTRACTOR		
126	ISSUES TO CONTRACTOR		
127	ISSUES TO CONTRACTOR		
128	ISSUES TO CONTRACTOR		
129	ISSUES TO CONTRACTOR		
130	ISSUES TO CONTRACTOR		
131	ISSUES TO CONTRACTOR		
132	ISSUES TO CONTRACTOR		
133	ISSUES TO CONTRACTOR		
134	ISSUES TO CONTRACTOR		
135	ISSUES TO CONTRACTOR		
136	ISSUES TO CONTRACTOR		
137	ISSUES TO CONTRACTOR		
138	ISSUES TO CONTRACTOR		
139	ISSUES TO CONTRACTOR		
140	ISSUES TO CONTRACTOR		
141	ISSUES TO CONTRACTOR		
142	ISSUES TO CONTRACTOR		
143	ISSUES TO CONTRACTOR		
144	ISSUES TO CONTRACTOR		
145	ISSUES TO CONTRACTOR		
146	ISSUES TO CONTRACTOR		
147	ISSUES TO CONTRACTOR		
148	ISSUES TO CONTRACTOR		
149	ISSUES TO CONTRACTOR		
150	ISSUES TO CONTRACTOR		
151	ISSUES TO CONTRACTOR		
152	ISSUES TO CONTRACTOR		
153	ISSUES TO CONTRACTOR		
154	ISSUES TO CONTRACTOR		
155	ISSUES TO CONTRACTOR		
156	ISSUES TO CONTRACTOR		
157	ISSUES TO CONTRACTOR		
158	ISSUES TO CONTRACTOR		
159	ISSUES TO CONTRACTOR		
160	ISSUES TO CONTRACTOR		
161	ISSUES TO CONTRACTOR		
162	ISSUES TO CONTRACTOR		
163	ISSUES TO CONTRACTOR		
164	ISSUES TO CONTRACTOR		
165	ISSUES TO CONTRACTOR		
166	ISSUES TO CONTRACTOR		
167	ISSUES TO CONTRACTOR		
168	ISSUES TO CONTRACTOR		
169	ISSUES TO CONTRACTOR		
170	ISSUES TO CONTRACTOR		
171	ISSUES TO CONTRACTOR		
172	ISSUES TO CONTRACTOR		
173	ISSUES TO CONTRACTOR		
174	ISSUES TO CONTRACTOR		
175	ISSUES TO CONTRACTOR		
176	ISSUES TO CONTRACTOR		
177	ISSUES TO CONTRACTOR		
178	ISSUES TO CONTRACTOR		
179	ISSUES TO CONTRACTOR		
180	ISSUES TO CONTRACTOR		
181	ISSUES TO CONTRACTOR		
182	ISSUES TO CONTRACTOR		
183	ISSUES TO CONTRACTOR		
184	ISSUES TO CONTRACTOR		
185	ISSUES TO CONTRACTOR		
186	ISSUES TO CONTRACTOR		
187	ISSUES TO CONTRACTOR		
188	ISSUES TO CONTRACTOR		
189	ISSUES TO CONTRACTOR		
190	ISSUES TO CONTRACTOR		
191	ISSUES TO CONTRACTOR		
192	ISSUES TO CONTRACTOR		
193	ISSUES TO CONTRACTOR		
194	ISSUES TO CONTRACTOR		
195	ISSUES TO CONTRACTOR		
196	ISSUES TO CONTRACTOR		
197	ISSUES TO CONTRACTOR		
198	ISSUES TO CONTRACTOR		
199	ISSUES TO CONTRACTOR		
200	ISSUES TO CONTRACTOR		
201	ISSUES TO CONTRACTOR		
202	ISSUES TO CONTRACTOR		
203	ISSUES TO CONTRACTOR		
204	ISSUES TO CONTRACTOR		
205	ISSUES TO CONTRACTOR		
206	ISSUES TO CONTRACTOR		
207	ISSUES TO CONTRACTOR		
208	ISSUES TO CONTRACTOR		
209	ISSUES TO CONTRACTOR		
210	ISSUES TO CONTRACTOR		
211	ISSUES TO CONTRACTOR		
212	ISSUES TO CONTRACTOR		
213	ISSUES TO CONTRACTOR		
214	ISSUES TO CONTRACTOR		
215	ISSUES TO CONTRACTOR		
216	ISSUES TO CONTRACTOR		
217	ISSUES TO CONTRACTOR		
218	ISSUES TO CONTRACTOR		
219	ISSUES TO CONTRACTOR		
220	ISSUES TO CONTRACTOR		
221	ISSUES TO CONTRACTOR		
222	ISSUES TO CONTRACTOR		
223	ISSUES TO CONTRACTOR		
224	ISSUES TO CONTRACTOR		
225	ISSUES TO CONTRACTOR		
226	ISSUES TO CONTRACTOR		
227	ISSUES TO CONTRACTOR		
228	ISSUES TO CONTRACTOR		
229	ISSUES TO CONTRACTOR		
230	ISSUES TO CONTRACTOR		
231	ISSUES TO CONTRACTOR		
232	ISSUES TO CONTRACTOR		
233	ISSUES TO CONTRACTOR		
234	ISSUES TO CONTRACTOR		
235	ISSUES TO CONTRACTOR		
236	ISSUES TO CONTRACTOR		
237	ISSUES TO CONTRACTOR		
238	ISSUES TO CONTRACTOR		
239	ISSUES TO CONTRACTOR		

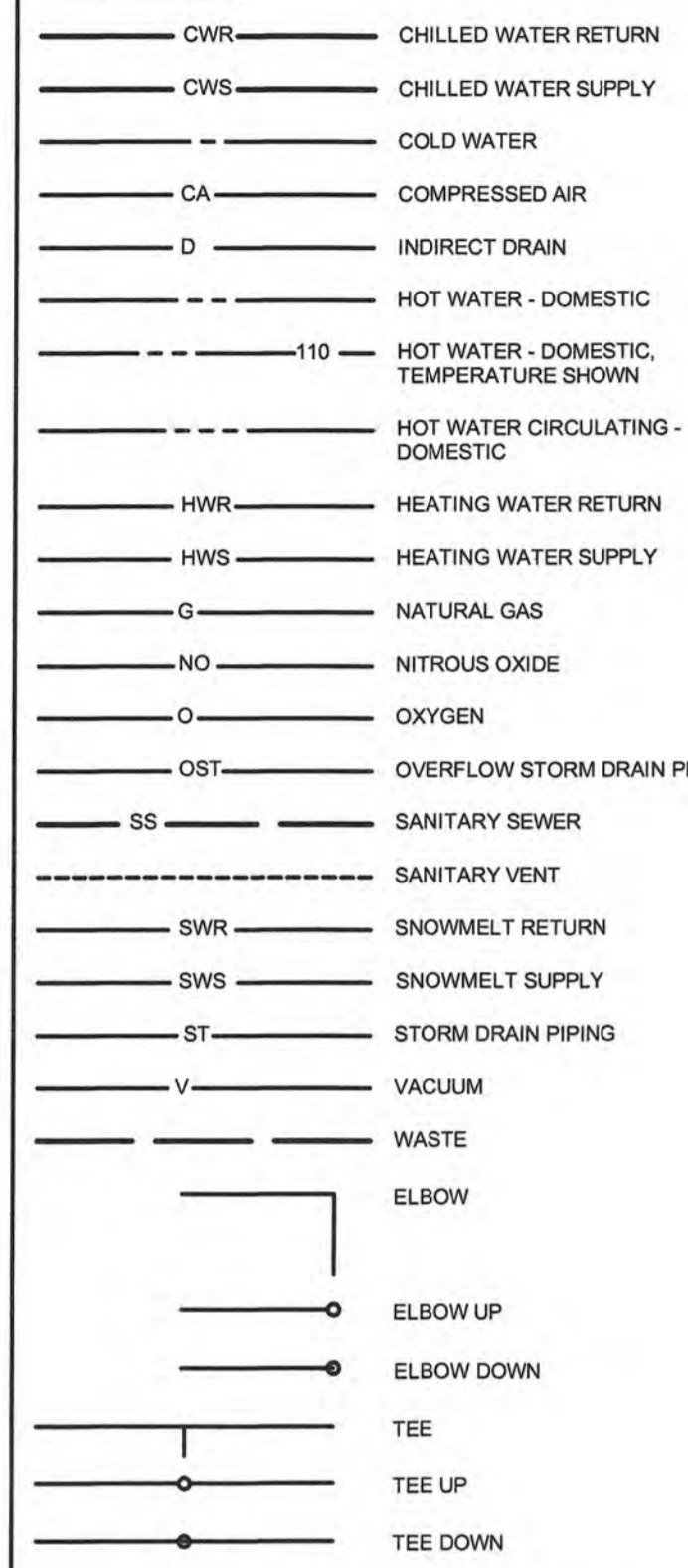
4/10/2015 2:10:05 PM
C:\R\STON\MECHANICAL\DWG FILES\141015\015-015-001-001.rvt

MECHANICAL LEGEND

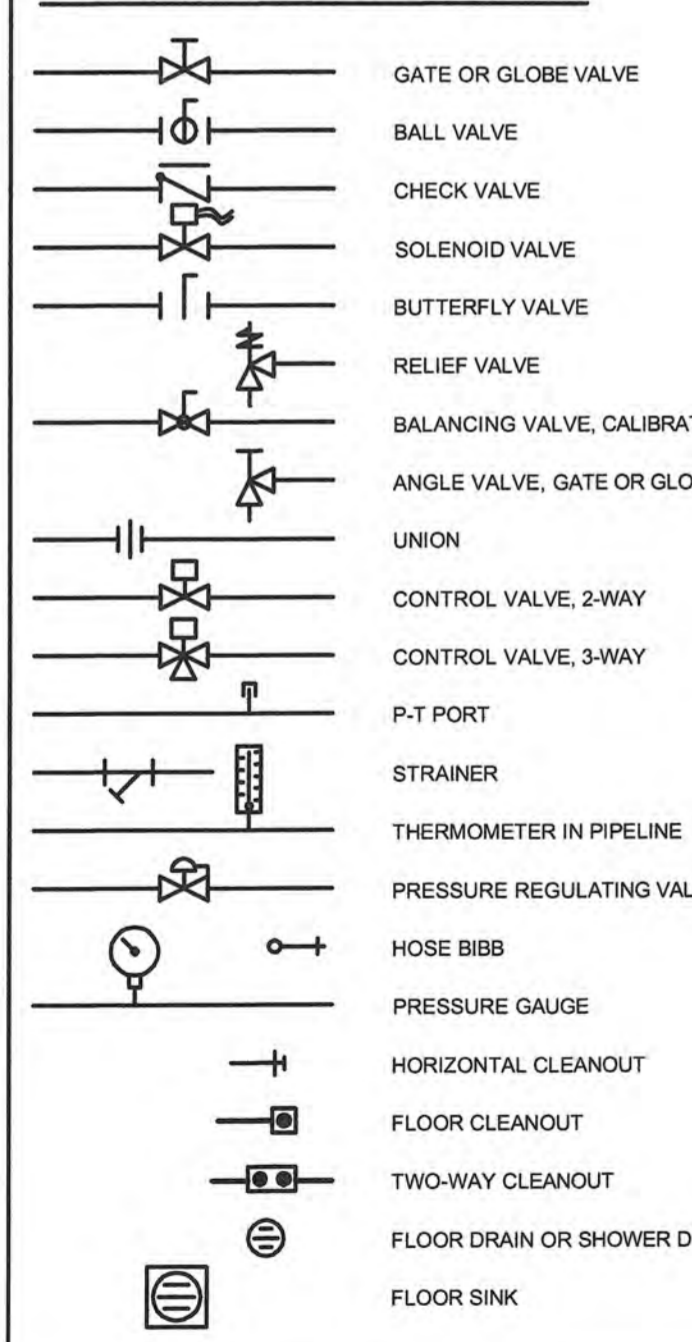
GENERAL SYMBOLS



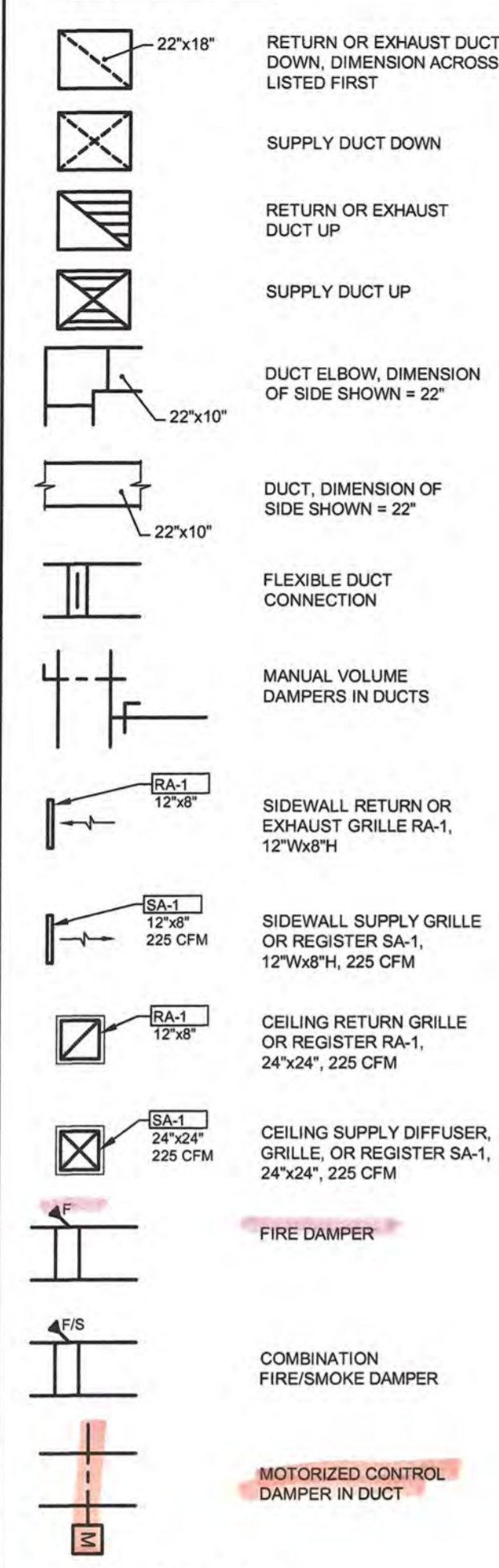
PIPING



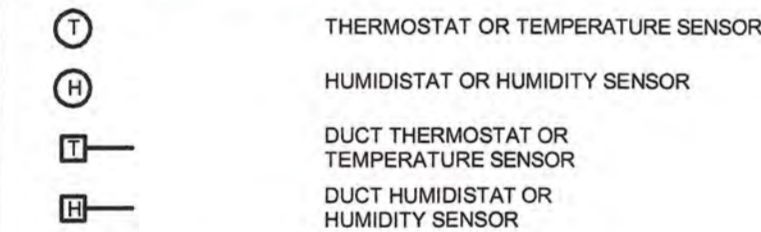
PIPING ACCESSORIES



DUCTWORK



CONTROLS



ABBREVIATIONS

- AFF ABOVE FINISHED FLOOR
AFG ABOVE FINISHED GRADE
BDD BACK DRAFT DAMPER
BFG BELOW FINISHED GRADE
CA COMPRESSED AIR
CFM CUBIC FEET PER MINUTE
COTG CLEANOUT TO GRADE
CW COLD WATER - DOMESTIC
DB DRY BULB TEMPERATURE
EA EXHAUST AIR
EAT ENTERING AIR TEMPERATURE
EWIT ENTERING WATER TEMPERATURE
LR-6 OUTSIDE AIR
°F DEGREES FAHRENHEIT
HW HOT WATER - DOMESTIC
HWC HOT WATER CIRCULATING - DOMESTIC
HWR HOT WATER RETURN
HWS HOT WATER SUPPLY
LB POUNDS (WEIGHT)
MFR MANUFACTURER
NIC NOT IN CONTRACT
NK NECK
NTS NOT TO SCALE
OBD OPPOSED BLADE DAMPER
RA RETURN AIR
RDL ROOF DRAIN LEADER
SA SUPPLY AIR
SCL STORM DRAIN LEADER
SS SANITARY SEWER
SWR SNOWMELT WATER RETURN
SWS SNOWMELT WATER SUPPLY
V VENT
VTR VENT THROUGH ROOF
WCO WALL CLEANOUT
W WASTE
WB WET BULB TEMPERATURE

AIR COOLED CONDENSING UNIT SCHEDULE

Table with columns: TAG, FURNACE, MANUFACTURER, MODEL, COOLING MBH, SST °F, AMBIENT °F, POWER REQUIRED (V/PH/Hz, MCA, MOCP), CONTROLS, WEIGHT LBS, NOTES. Includes units CU-1 and CU-2.

SCHEDULE NOTES:
1. LISTED CAPACITIES ARE AT 4800 FT ALTITUDE UNLESS INDICATED OTHERWISE.
2. PROVIDE SPECIFIED EQUIPMENT OR APPROVED EQUIVALENT BY OTHER MANUFACTURER.
3. COOLER THERMOSTAT SHALL BE DIAL MANUFACTURING, INC MODEL 7617 OR EQUIVALENTS.

FURNACE SCHEDULE

Table with columns: TAG, AREA SERVED, MANUFACTURER, MODEL, BLOWER DATA (CFM, E.S.P. INCH W.C., HP), COOLING COIL (MODEL, SENSIBLE MBH, EAT db/wb °F), HEATING CAPACITY OUTPUT (MINIMUM), POWER REQUIRED (V/PH/Hz, AMPACITY, MOCP), CONTROLS, WEIGHT LBS, NOTES / ACCESSORIES. Includes furnaces FR-1 and FR-2.

MINI SPLIT SYSTEM SCHEDULE

Table with columns: TAG, AREA SERVED, MANUF., MODEL, NET TOTAL COOLING CAP. MBH (SEA LEVEL), COOLING SEER, HEATING CAP. MBH, HEATING COP, POWER REQUIRED (V/PH/Hz, MCA, MOCP), UNIT, CONTROLS, WEIGHT LBS, ACCESSORIES, NOTES. Includes units HP-1 A & B and SS-1 A & B.

EVAPORATIVE COOLER SCHEDULE

Table with columns: TAG, AREA SERVED, MANUFACTURER, MODEL, TYPE, AIR FLOW & EXT. P. (CFM, IN. W.C.), FAN (MOTOR HP), POWER REQUIRED (V / PH / HZ, FLA), MEDIA TYPE, ACCESSORIES, CONTROLS, WEIGHT LBS, NOTES. Includes coolers EC-1, EC-2, EC-1 (ALT #), and EC-2 (ALT #).

EXHAUST FAN SCHEDULE

Table with columns: TAG, AREA SERVED, MANUFACTURER, MODEL, TYPE, AIR FLOW (CFM, IN. W.C.), MOTOR (HP OR W), SOUND (dBA, SONES), POWER REQUIRED (V / PH / HZ, FLA), ACCESSORIES, CONTROLS, WEIGHT LBS, NOTES. Includes fans EF-1 through EF-9.

INFRARED HEATER SCHEDULE

Table with columns: TAG, AREA SERVED, MANUFACTURER, MODEL, TYPE, HEATING CAPACITY INPUT (MBH (SEA LEVEL)), HEATING STAGES, POWER REQUIRED (V / PH / HZ, FLA), CONTROLS, WEIGHT LBS, NOTES. Includes heater IR-1 THROUGH IR-4.

LOUVER SCHEDULE

Table with columns: TAG, SERVICE, TYPE, MOUNTING, FINISH, ACCESSORIES, RUSKIN MODEL, SIZE, NOTES. Includes louvers LR-1 through LR-6.

GRILLES, REGISTERS AND DIFFUSERS SCHEDULE

Table with columns: TAG, SERVICE, TYPE, MOUNTING, THROW PATTERN, FINISH, ACCESSORIES, KRUEGER SERIES #, SIZE, NOTES. Includes supply air (SA-1, SA-2, SA-3), transfer air (TA-1), and return air (RA-1, RA-2) units.

CHAMBERLIN ARCHITECTS
ENHANCING EVERYDAY LIVING THROUGH DESIGN

CHAMBERLIN ARCHITECTS
437 Main St.
Grand Junction, Colorado 81501
T 970.242.6804

725 Saint Joseph St., Suite B1
Rapid City, South Dakota 57701
T 605.355.6804

www.chamberlinarchitects.com

RALSTON MECHANICAL CONSULTING, LLC
Engineering for HVAC, Refrigeration, and Plumbing

366 ECHO CANYON COURT, GRAND JUNCTION, CO 81507-6584
PHONE 970-634-9919 / FAX 970-634-9915 / CELL 970-280-1761 / dms@ralston.com

ORCHARD MESA FIRE STATION #4

GRAND JUNCTION, COLORADO

MECHANICAL SCHEDULES AND LEGEND

NO: ISSUED FOR: DATE:



PROJECT STATUS: CONSTRUCTION DOCUMENTS

DRAWN BY: DCR CHECKED BY:

DATE: 04/10/2015

SHEET NO:

PROJECT NO: 1443

M001

CHAMBERLIN ARCHITECTS

4/13/2015 10:59 AM

CHAMBERLIN ARCHITECTS
437 Main St.
Grand Junction, Colorado 81501
T 970.242.6904

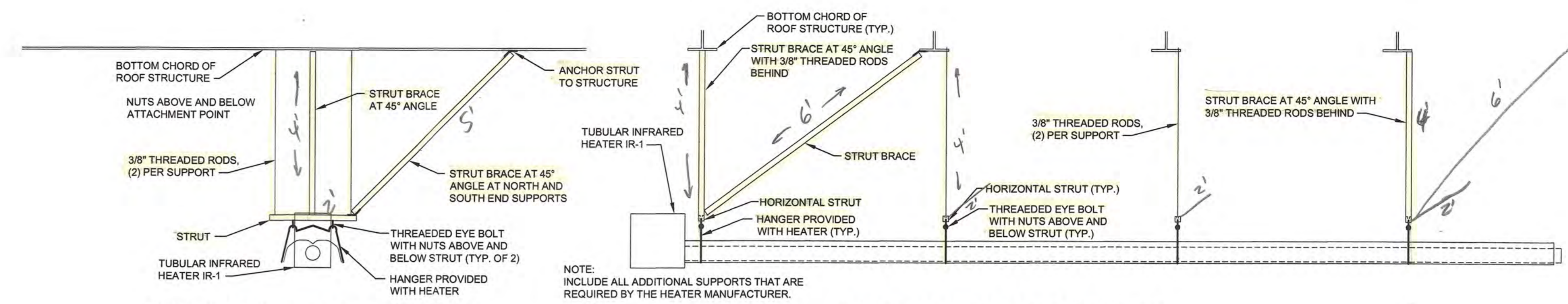
725 Saint Joseph St., Suite B1
Rapid City, South Dakota 57701
T 605.355.6904

www.chamberlinarchitects.com

RALSTON MECHANICAL CONSULTING, LLC
Engineering for HVAC, Refrigeration, and Plumbing

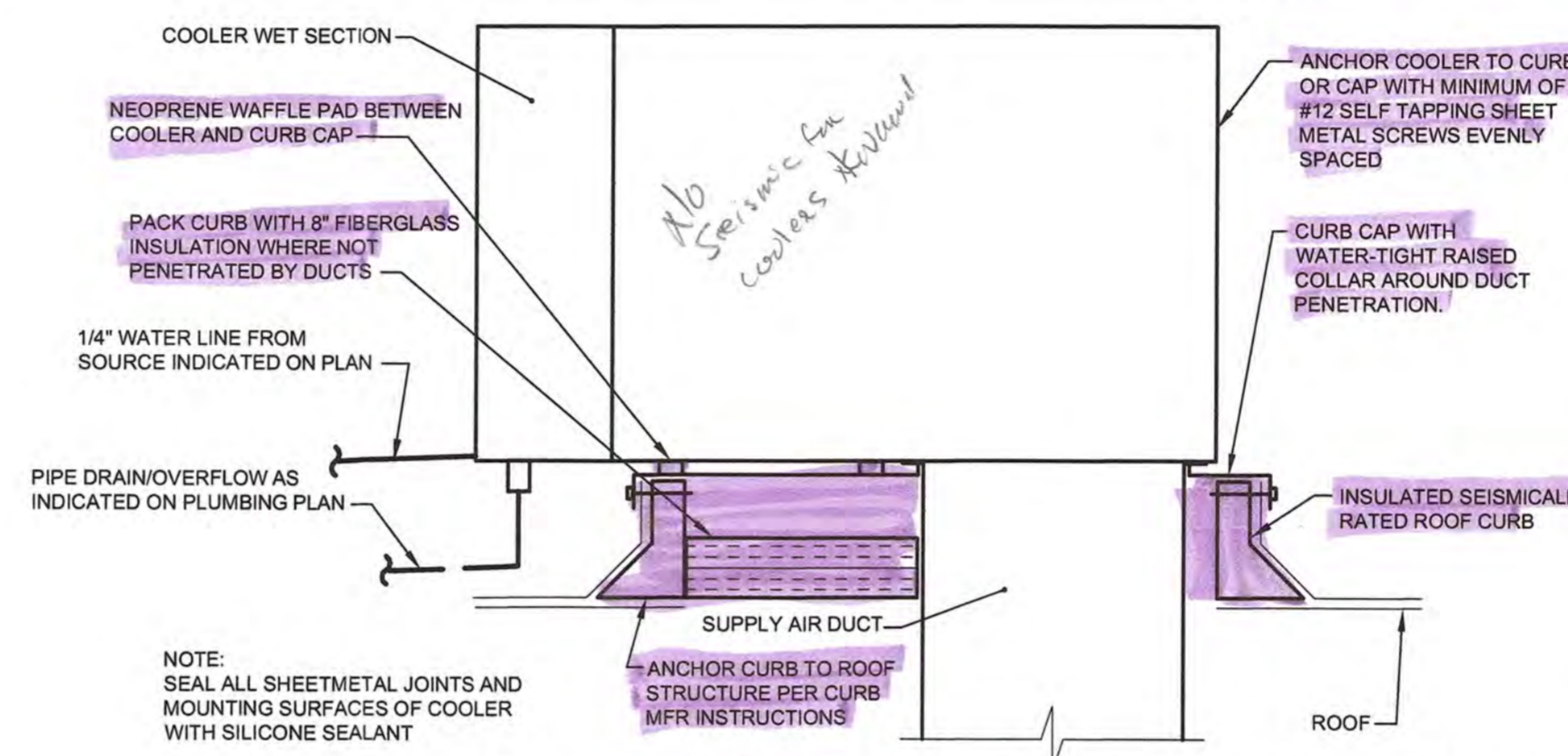


388 ECHO CANYON COURT, GRAND JUNCTION, CO 81507-6894
PHONE 970-434-9819 / FAX 970-434-9815 / CELL 970-260-1781 / dms@rmacon.com

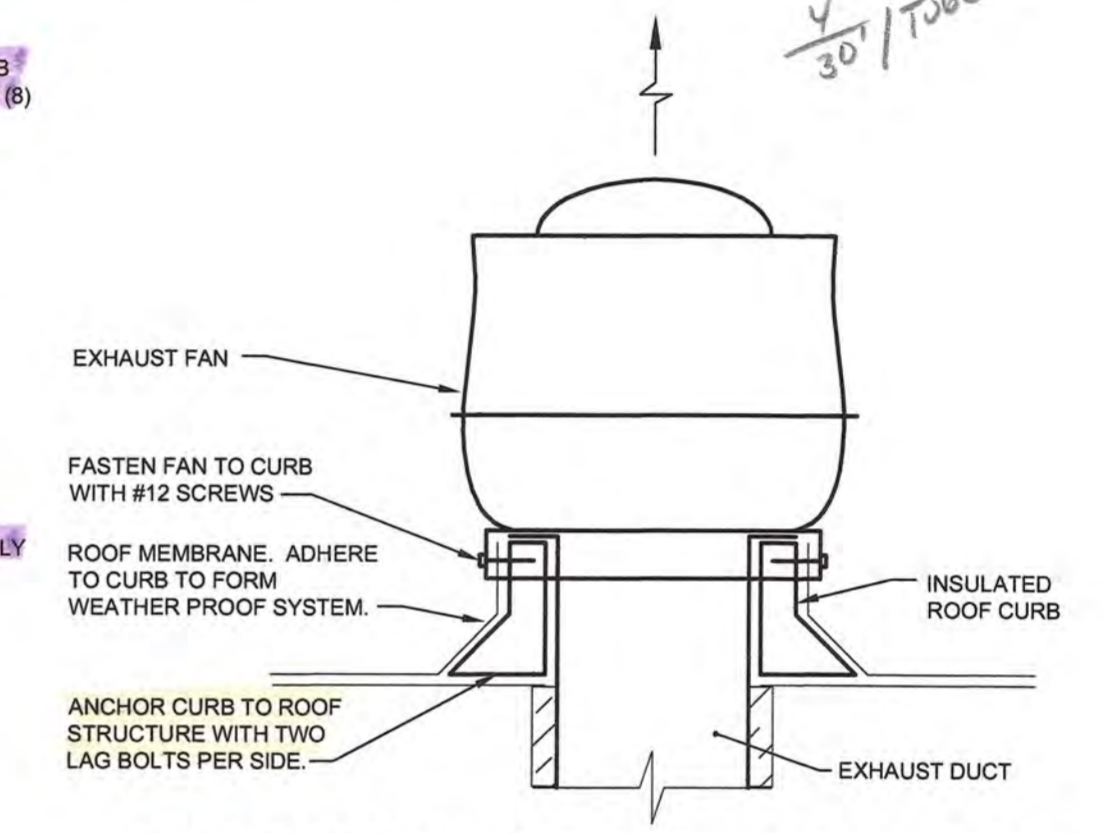


TUBULAR INFRARED HEATER SUPPORT DETAIL SOUTH ELEVATION
SCALE: 1/2" = 1'-0"

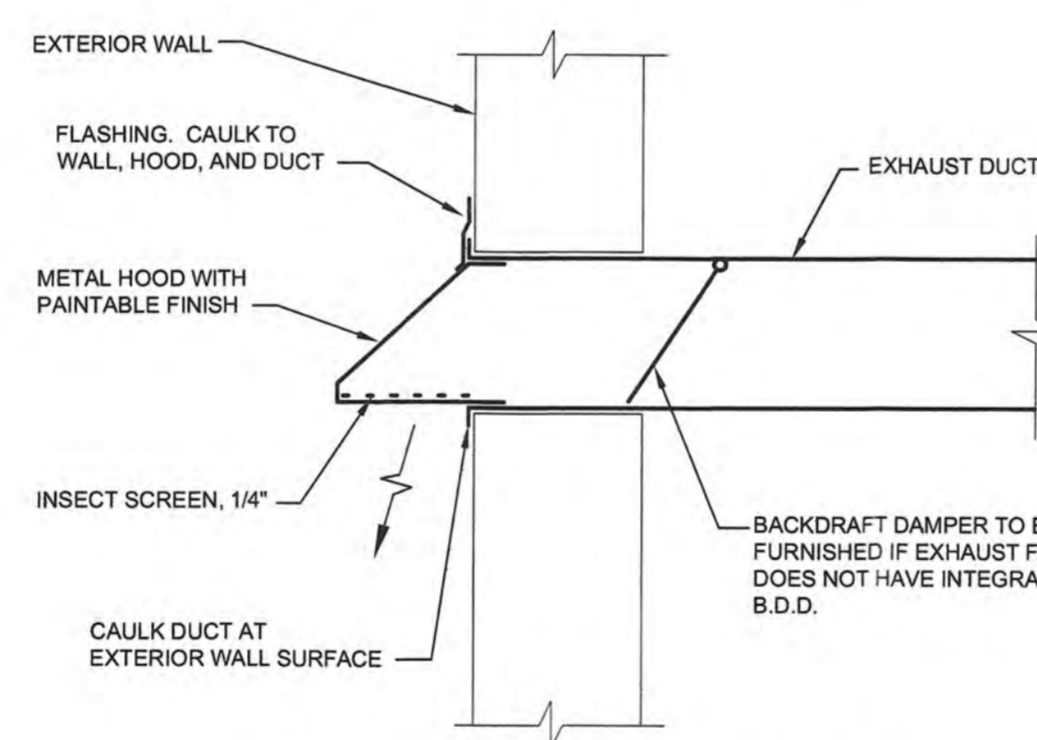
TUBULAR INFRARED HEATER SUPPORT DETAIL EAST ELEVATION
SCALE: 1/2" = 1'-0"



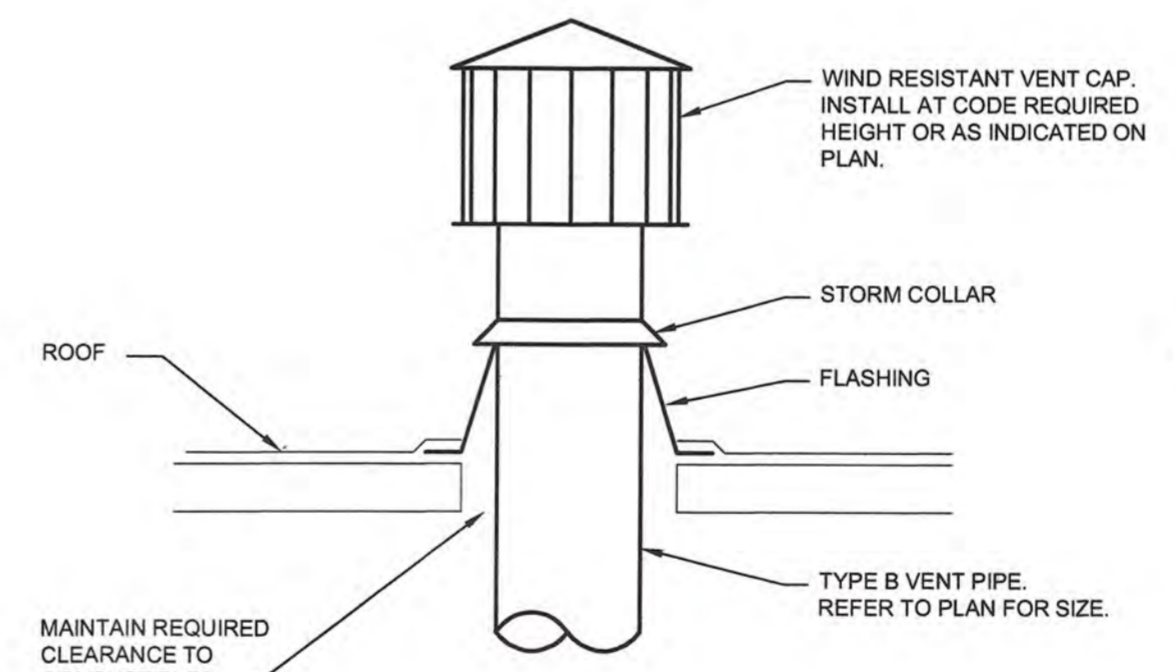
EVAPORATIVE COOLER MOUNTING DETAIL (BASE BID)
NO SCALE



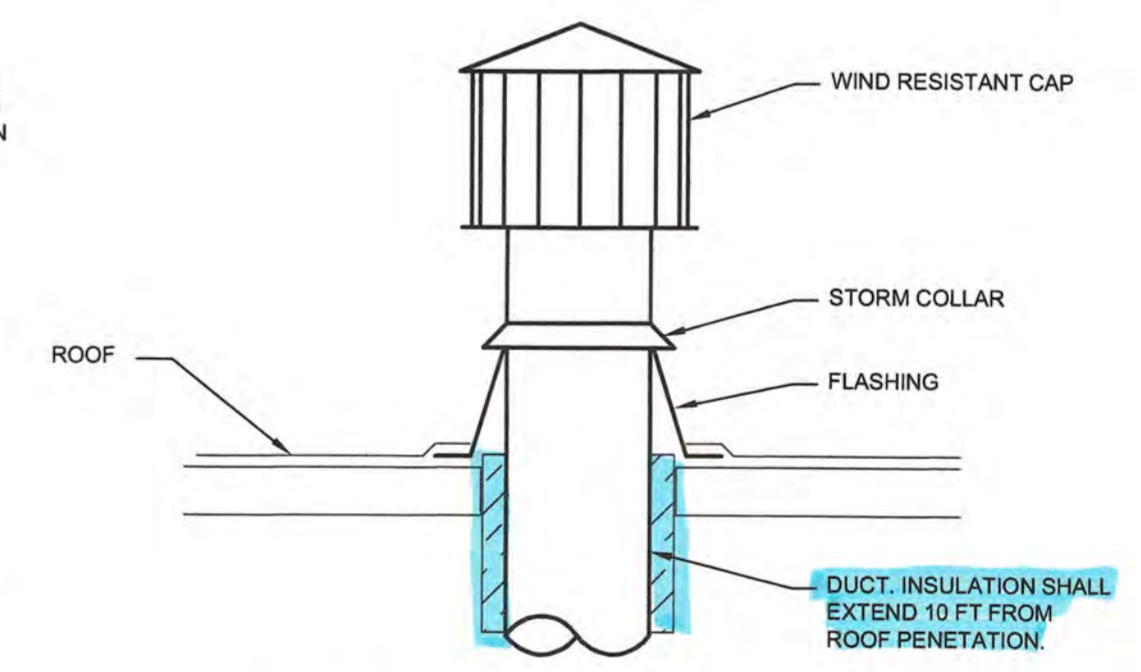
ROOF MOUNTED EXHAUST FAN DETAIL
NO SCALE



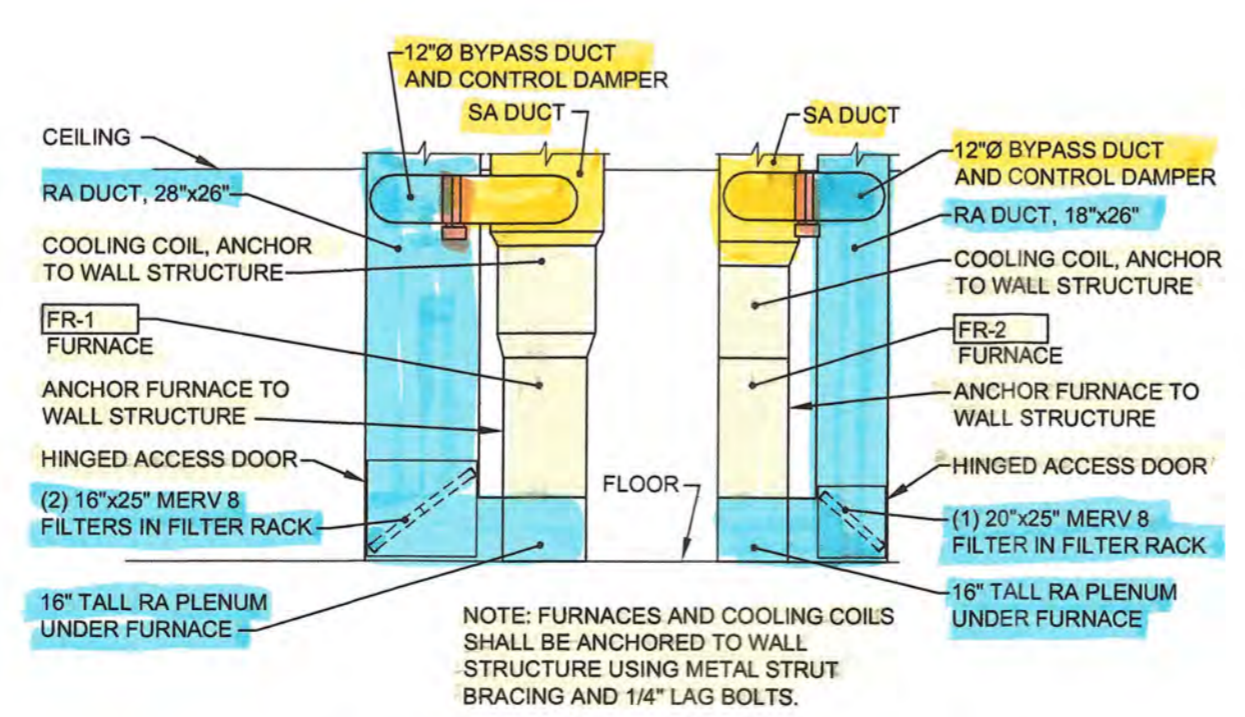
EXHAUST WALL JACK DETAIL
NO SCALE



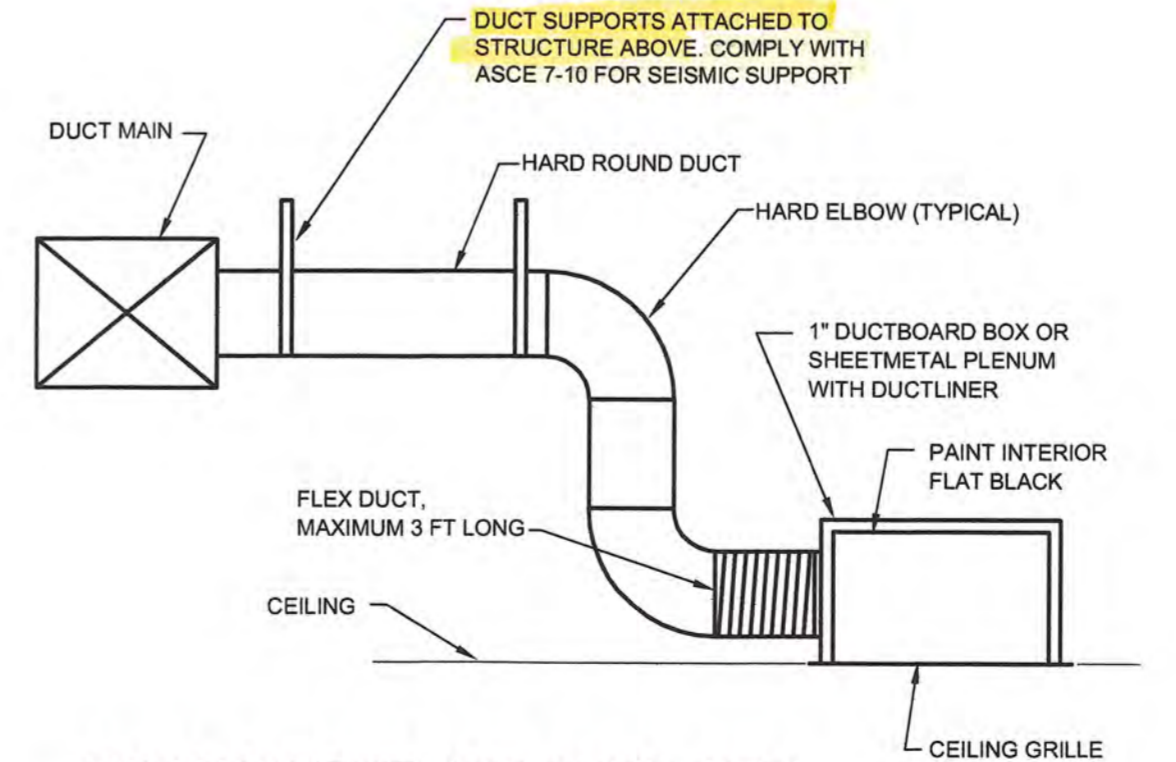
COMBUSTION VENT THROUGH ROOF DETAIL
NO SCALE



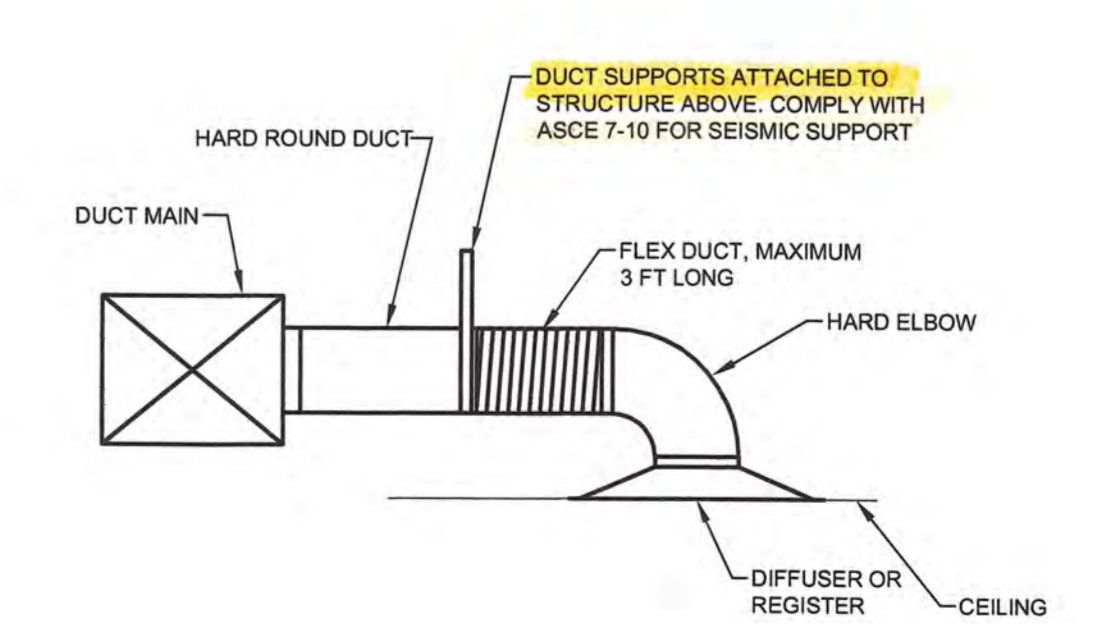
COMBUSTION AIR INTAKE AND GENERAL EXHAUST THROUGH ROOF DETAIL
NO SCALE



FURNACE DUCT AND FILTER INSTALLATION DETAIL
SCALE: 1/4" = 1'-0"



BRANCH RETURN DUCT AND CEILING GRILLE INSTALLATION DETAIL
NO SCALE



BRANCH SUPPLY DUCT INSTALLATION DETAIL
NO SCALE

ORCHARD MESA
FIRE STATION #4

GRAND JUNCTION, COLORADO

MECHANICAL DETAILS

NO: ISSUED FOR: DATE:



PROJECT STATUS:
CONSTRUCTION DOCUMENTS

DRAWN BY: DCR CHECKED BY:

DATE:
04/10/2015

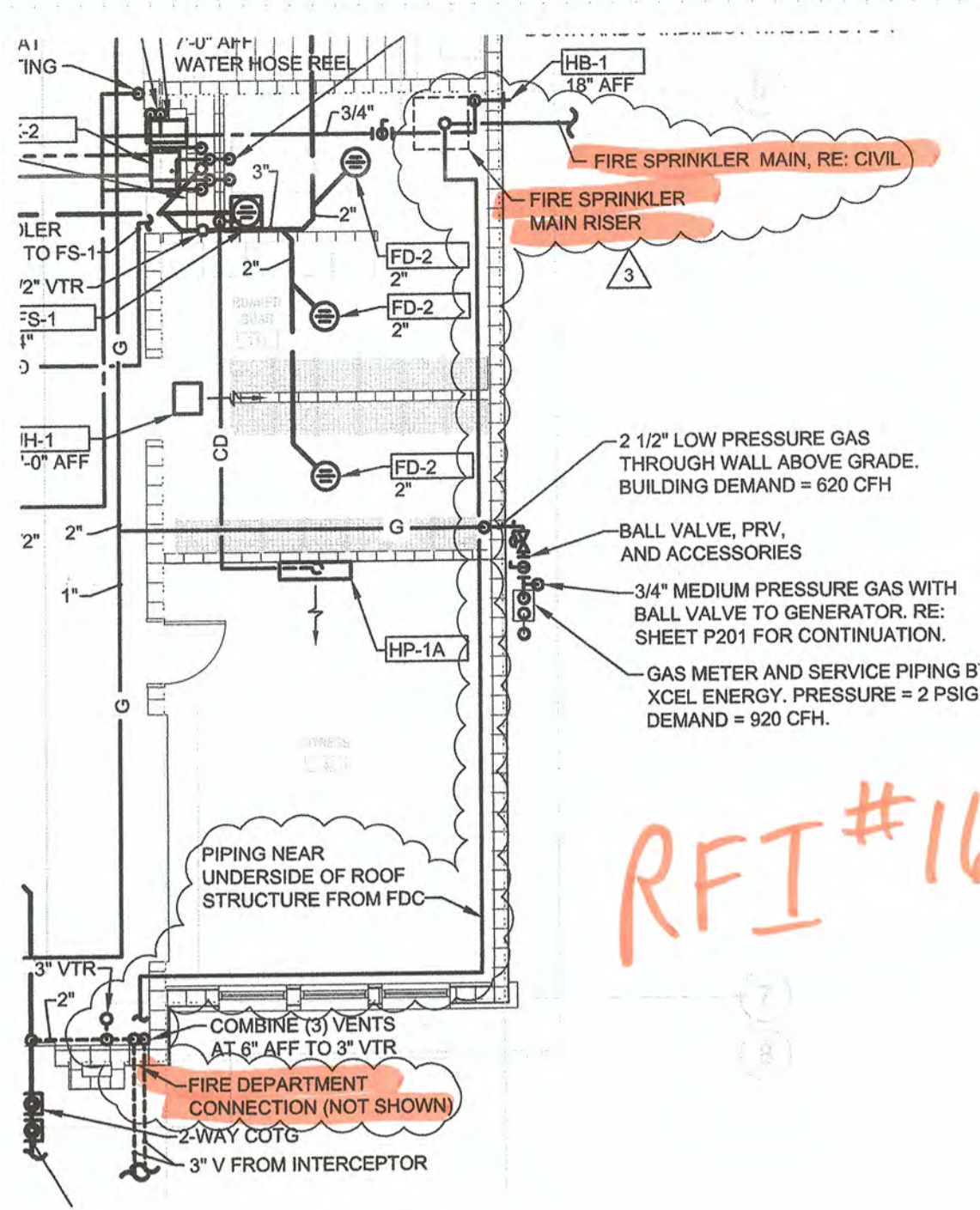
SHEET NO:

PROJECT NO:
1443

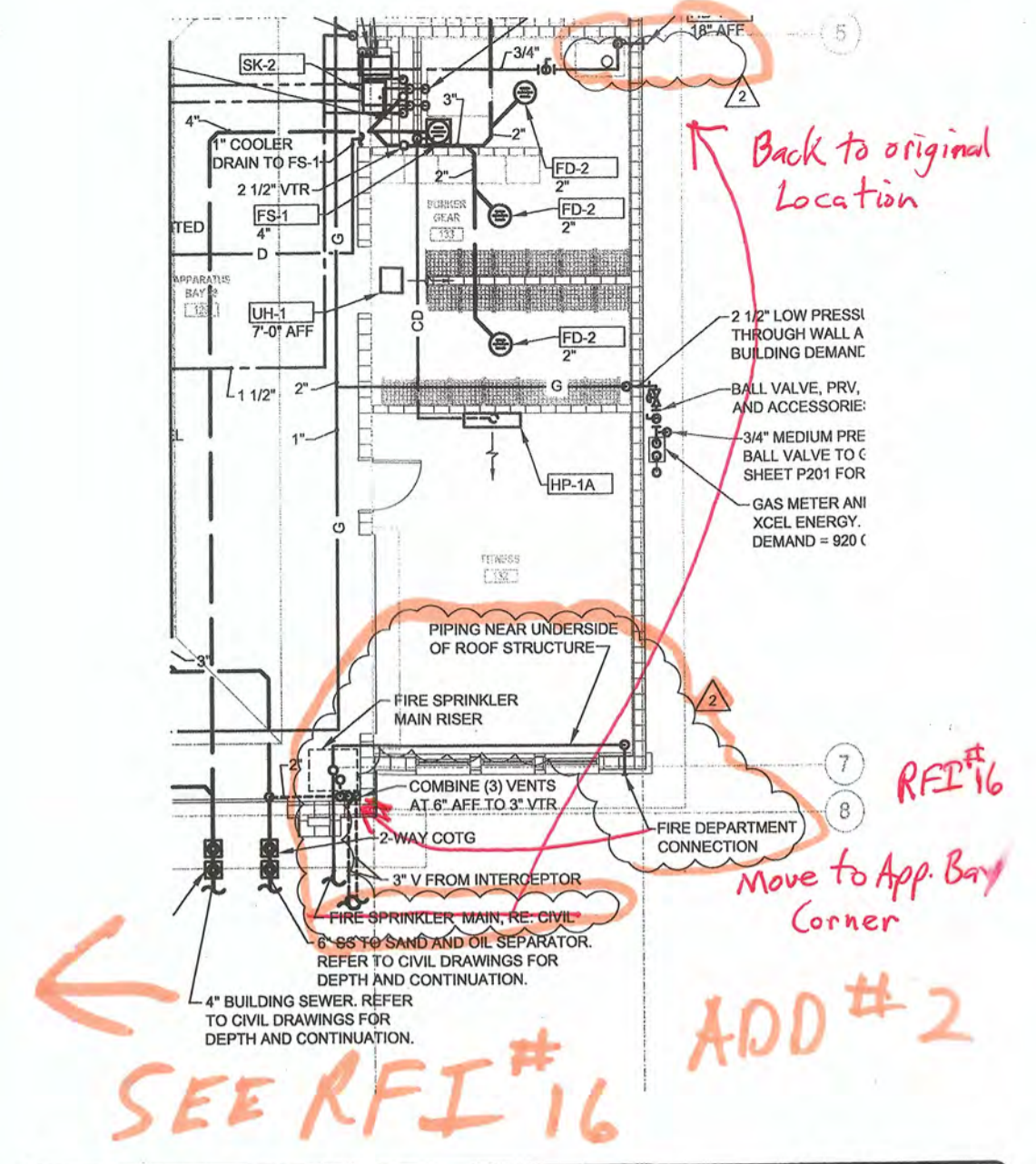
M301

©172 CHAMBERLIN ARCHITECTS

4/10/2015 2:16:05 PM



RFI #16



SEE RFI #16

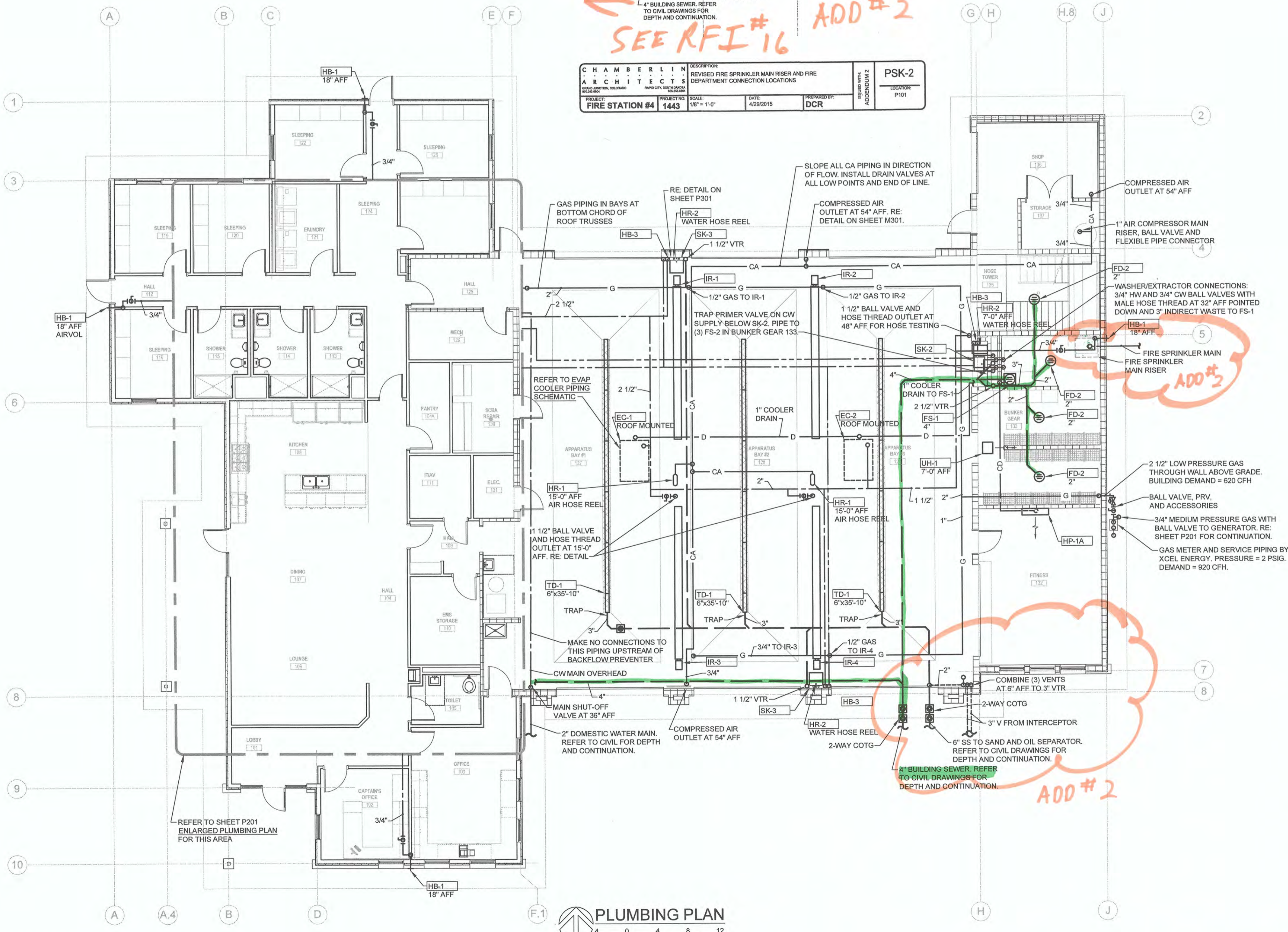
ADD #2

Back to original Location

Move to App Bay Corner

CHAMBERLIN ARCHITECTS GRAND JUNCTION, COLORADO 970.242.6804	DESCRIPTION: SECOND REVISION TO FIRE SPRINKLER MAIN RISER AND FIRE DEPARTMENT CONNECTION LOCATIONS	PSK-3 LOCATION: P101		
			PROJECT: FIRE STATION #4	PROJECT NO: 1443

CHAMBERLIN ARCHITECTS GRAND JUNCTION, COLORADO 970.242.6804	DESCRIPTION: REVISIONS FIRE SPRINKLER MAIN RISER AND FIRE DEPARTMENT CONNECTION LOCATIONS	PSK-2 LOCATION: P101		
			PROJECT: FIRE STATION #4	PROJECT NO: 1443



PLUMBING PLAN

0 4 8 12

GENERAL NOTES

THE MECHANICAL CONTENT OF THIS DRAWING IS DIAGRAMMATIC AND NOT NECESSARILY TO SCALE.

THE CONTRACTOR SHALL MAKE MINOR ADJUSTMENTS TO LOCATIONS OF DUCTWORK, EQUIPMENT, PIPING, AND SUPPORTS IN ORDER TO COORDINATE WITH BUILDING CONSTRUCTION AND WORK OF OTHER TRADES.

REFER TO SCHEDULES AND SPECIFICATIONS FOR EQUIPMENT AND MATERIALS OF CONSTRUCTION.

INSTALL WASTE PIPING CLEANOUTS WHERE INDICATED AND AS REQUIRED BY 2012 INTERNATIONAL PLUMBING CODE.

WATER PIPING SHALL BE INSTALLED TIGHT TO BOTTOM CHORD OF ROOF TRUSSES AND MUST BE COORDINATED WITH DUCTWORK INSTALLATION DUE TO SEVERELY LIMITED SPACE ABOVE CEILINGS.

EQUIPMENT AND PIPING SHALL BE SUPPORTED AND BRACED IN COMPLIANCE WITH ASCE STANDARD 7, MINIMUM DESIGN LOADS FOR BUILDINGS AND OTHER STRUCTURES.

ALL HORIZONTAL PIPING IN APPARATUS BAYS SHALL BE SUPPORTED AT UNDERSIDE OF ROOF STRUCTURE USING METAL STRUT AND PIPING CLAMPS. PROVIDE SHIMS TO ACHIEVE PROPER SLOPE.

CHAMBERLIN ARCHITECTS
 ENHANCING EVERYDAY LIVING THROUGH DESIGN

CHAMBERLIN ARCHITECTS
 437 Main St.
 Grand Junction, Colorado 81501
 T 970.242.6804

725 Saint Joseph St., Suite B1
 Rapid City, South Dakota 57701
 T 605.355.6804

www.chamberlinarchitects.com


RALSTON MECHANICAL CONSULTING, LLC
 Engineering for HVAC, Refrigeration, and Plumbing

368 ECHO CANYON COURT, GRAND JUNCTION, CO 81507-9584
 PHONE 970-434-9919 / FAX 970-434-9915 / CELL 970-289-1781 / dcr@rmech.com

ORCHARD MESA FIRE STATION #4

GRAND JUNCTION, COLORADO

PLUMBING PLAN

NO: 

ISSUED FOR: _____ DATE: _____

PROJECT STATUS:
 CONSTRUCTION DOCUMENTS

DRAWN BY: DCR CHECKED BY: _____

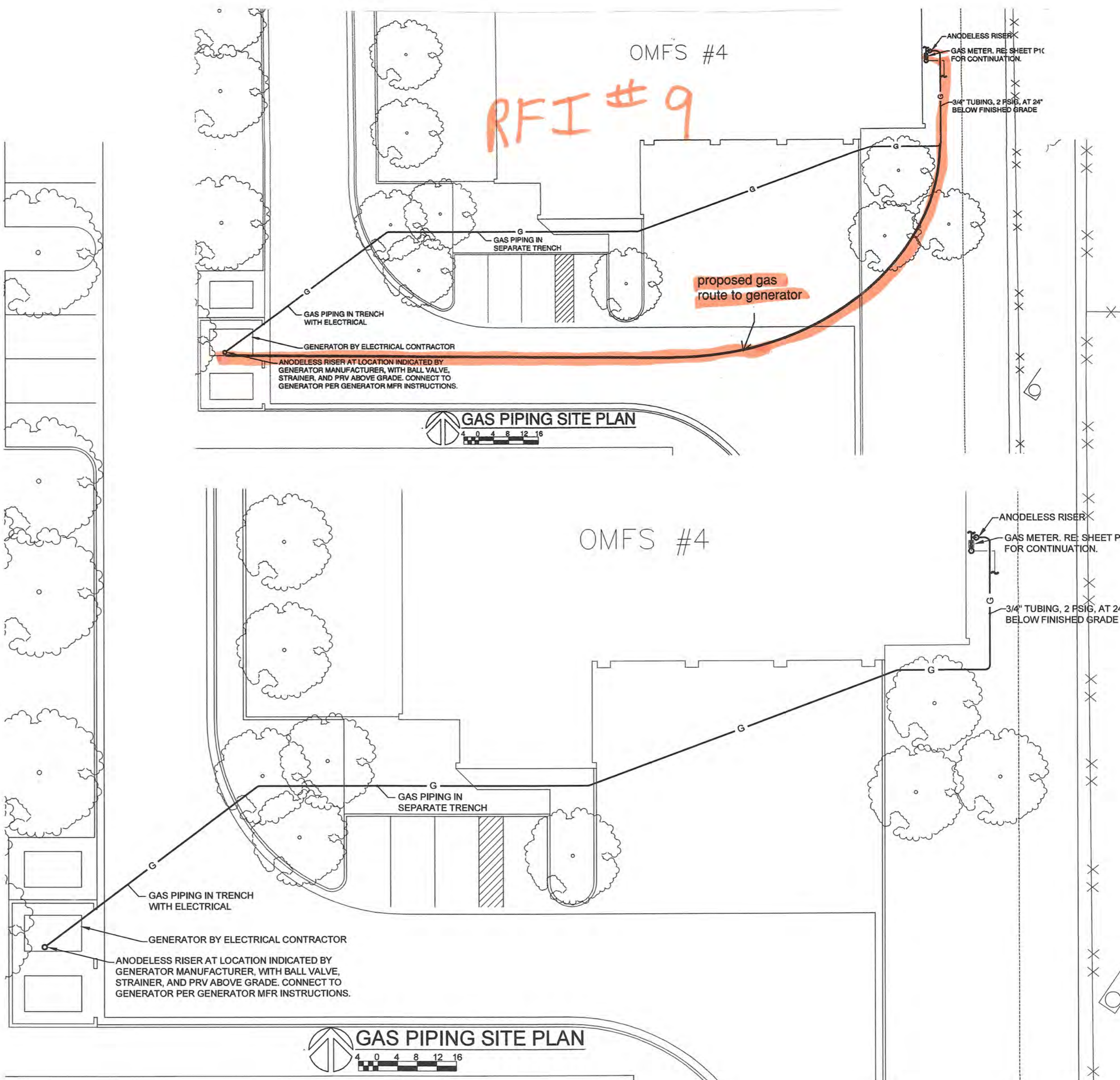
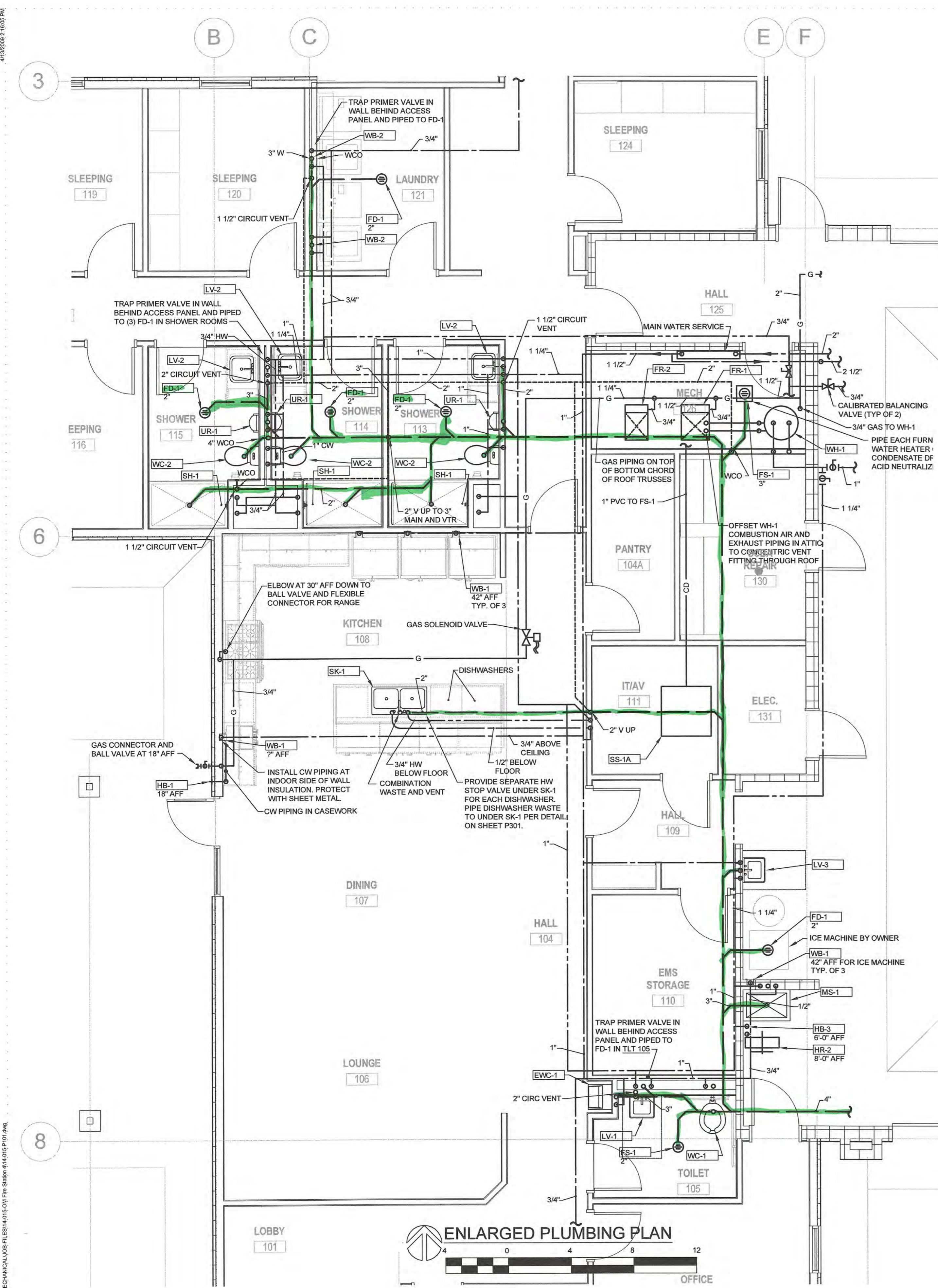
DATE:
04/10/2015

SHEET NO.:
P101

PROJECT NO:
1443

C:\RALSTON\MECHANICAL\JOB FILES\1443\1015-DWG-Fire Station #4\1443-P101.dwg

©2015 CHAMBERLIN ARCHITECTS



GENERAL NOTES

THE MECHANICAL CONTENT OF THIS DRAWING IS DIAGRAMMATIC AND NOT NECESSARILY TO SCALE.

THE CONTRACTOR SHALL MAKE MINOR ADJUSTMENTS TO LOCATIONS OF DUCTWORK, EQUIPMENT, PIPING, AND SUPPORTS IN ORDER TO COORDINATE WITH BUILDING CONSTRUCTION AND WORK OF OTHER TRADES.

REFER TO SCHEDULES AND SPECIFICATIONS FOR EQUIPMENT AND MATERIALS OF CONSTRUCTION.

INSTALL WASTE PIPING CLEANOUTS WHERE INDICATED AND AS REQUIRED BY 2012 INTERNATIONAL PLUMBING CODE.

WATER PIPING SHALL BE INSTALLED TIGHT TO BOTTOM CHORD OF ROOF TRUSSES AND MUST BE COORDINATED WITH DUCTWORK INSTALLATION DUE TO SEVERELY LIMITED SPACE ABOVE CEILINGS.

EQUIPMENT AND PIPING SHALL BE SUPPORTED AND BRACED IN COMPLIANCE WITH ASCE STANDARD 7, MINIMUM DESIGN LOADS FOR BUILDINGS AND OTHER STRUCTURES.

ALL OVERHEAD HORIZONTAL PIPING GAS PIPING SHALL BE IN ATTIC AND SHALL BE SUPPORTED FROM ROOF STRUCTURE USING METAL STRUT AND PIPING CLAMPS.

ALL OVERHEAD HORIZONTAL WATER PIPING SHALL BE SUPPORTED AT UNDERSIDE OF ROOF STRUCTURE USING METAL STRUT AND PIPING CLAMPS.

CHAMBERLIN ARCHITECTS
 ENHANCING EVERYDAY LIVING THROUGH DESIGN

CHAMBERLIN ARCHITECTS
 437 Main St.
 Grand Junction, Colorado 81501
 T 970.242.6804

725 Saint Joseph St, Suite B1
 Rapid City, South Dakota 57701
 T 605.355.6804

www.chamberlinarchitects.com

RALSTON MECHANICAL CONSULTING, LLC
 Engineering for HVAC, Refrigeration, and Plumbing

358 ECHO CANYON COURT, GRAND JUNCTION, CO 81507-9594
 PHONE 970-434-8919 / FAX 970-434-8915 / CELL 970-592-1781 / dms@rmech.com

ORCHARD MESA FIRE STATION #4

GRAND JUNCTION, COLORADO

ENLARGED PLUMBING PLAN AND GAS PIPING SITE PLAN

NO: ISSUED FOR: DATE:

PROJECT STATUS:
 CONSTRUCTION DOCUMENTS

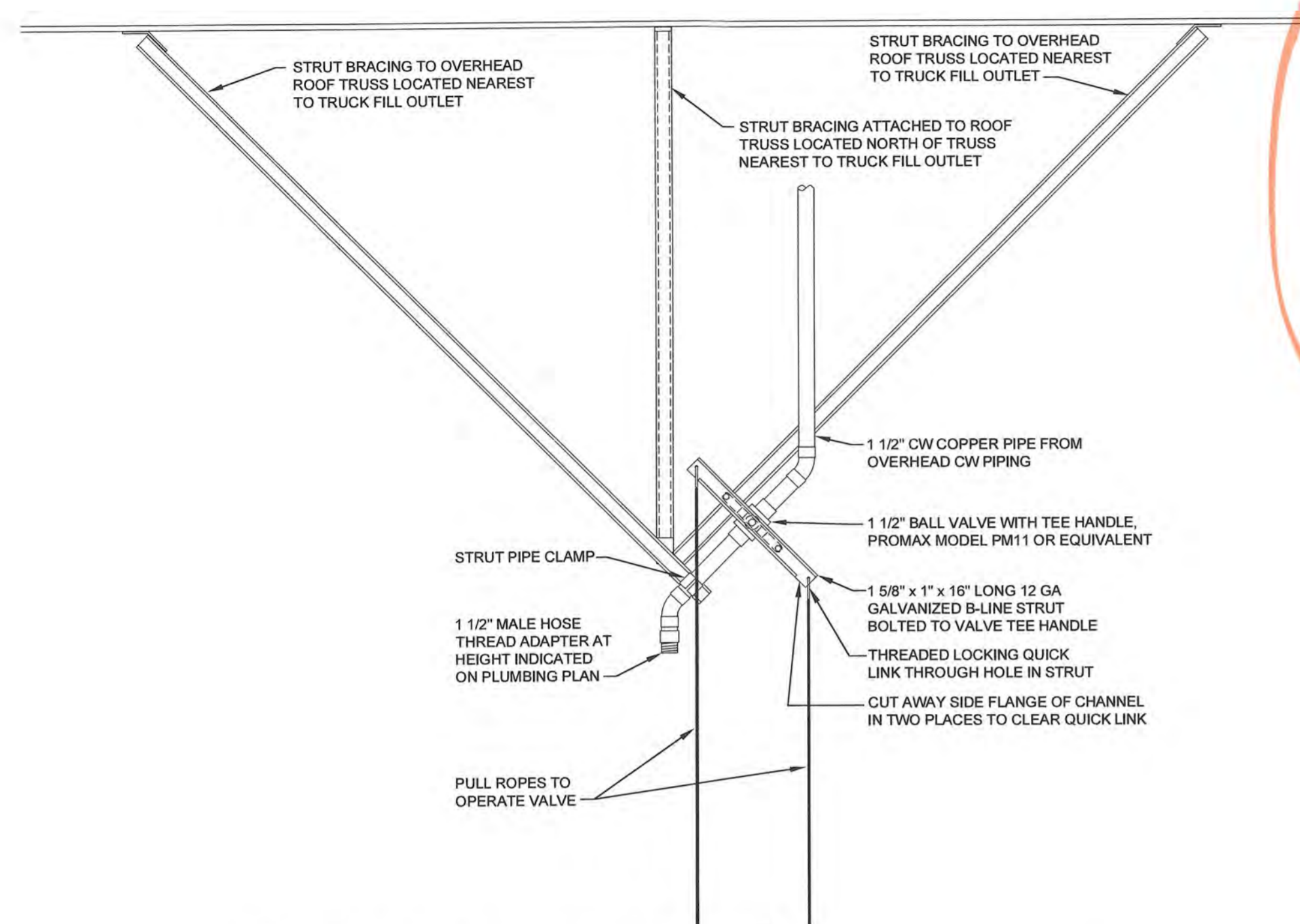
DRAWN BY: DCR CHECKED BY:

DATE:
 04/10/2015 SHEET NO.

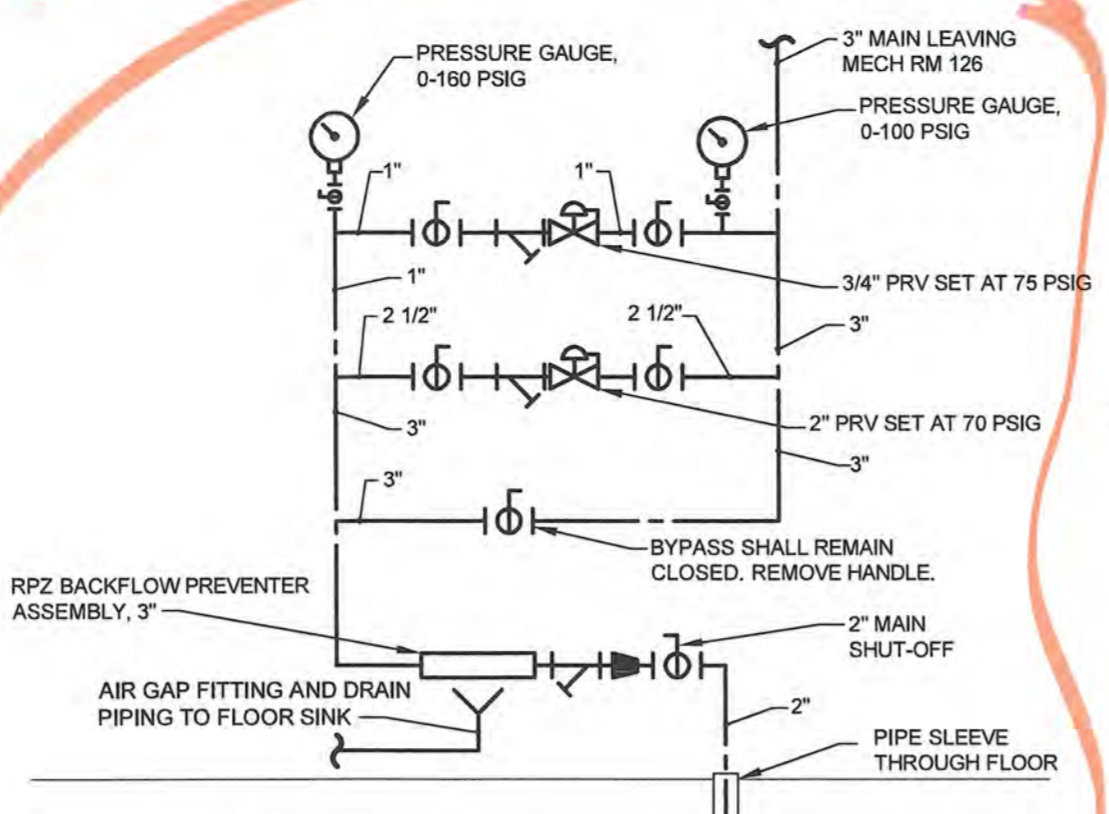
PROJECT NO:
 1443 **P201**

4/10/2015 1:16:58 PM C:\RALSTON\MECHANICAL\JOB FILES\1443\FIRE STATION #4\DWG\PLUMBING\ENLARGED PLUMBING PLAN.dwg

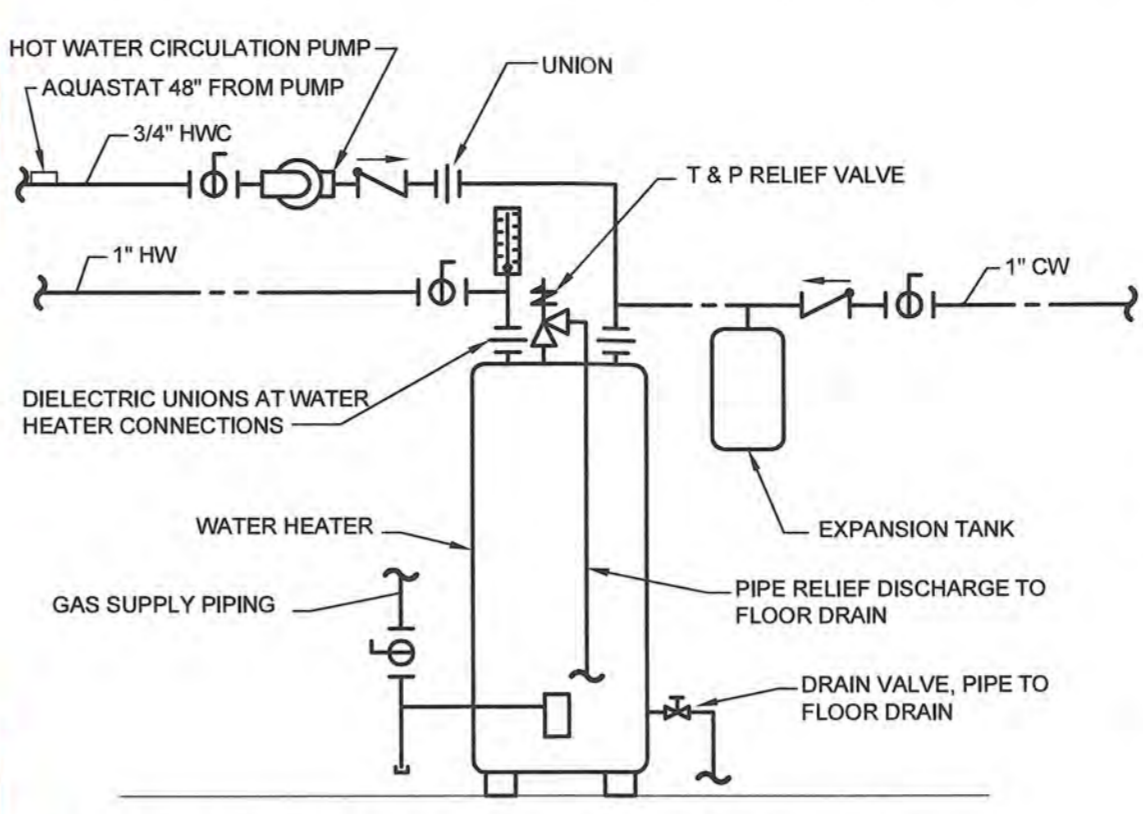
SEE ADD# 1



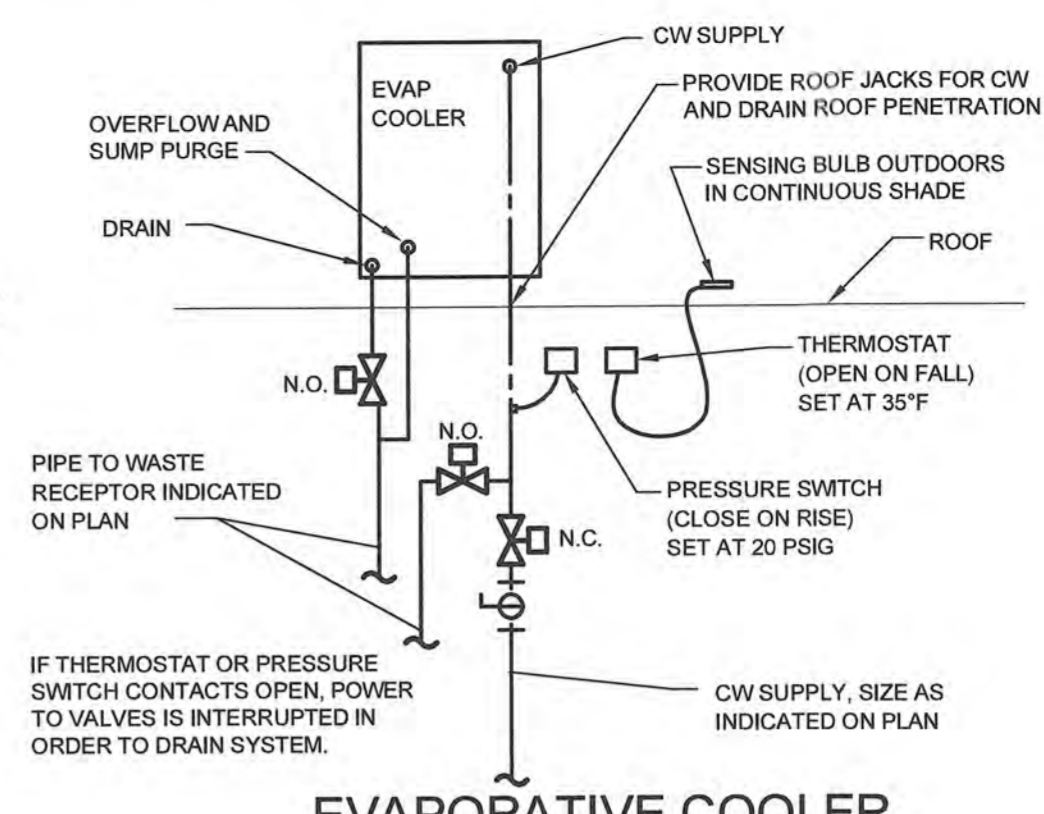
TRUCK FILL WATER VALVE DETAIL
SCALE: 1" = 1'-0"



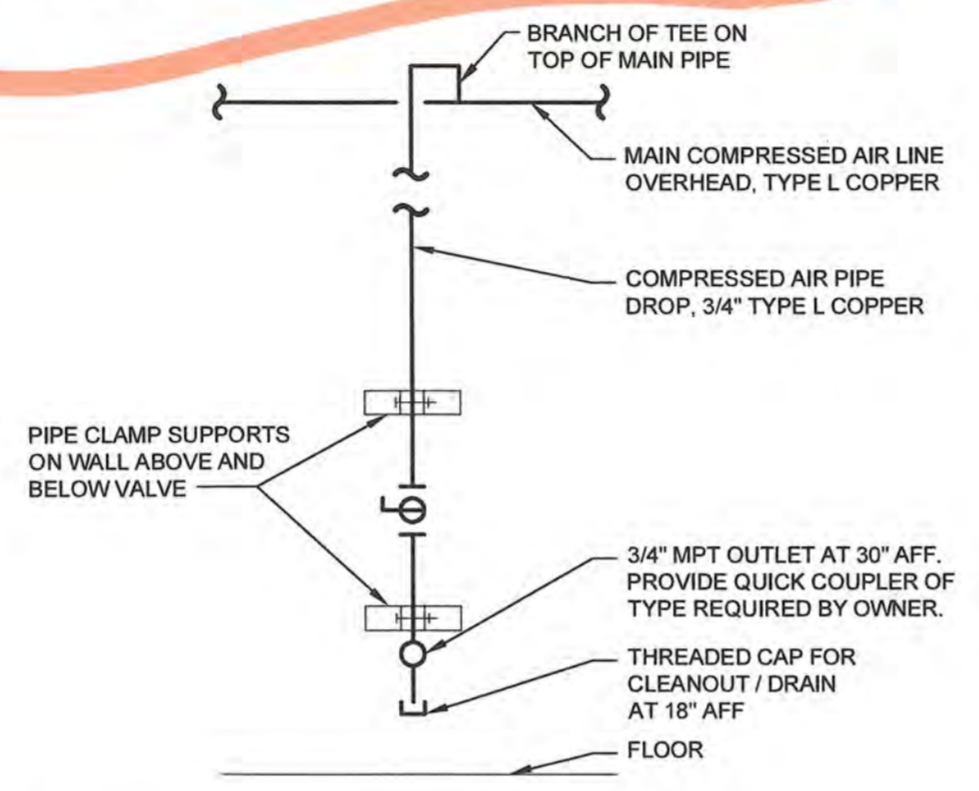
WATER SERVICE PIPING DETAIL
NO SCALE



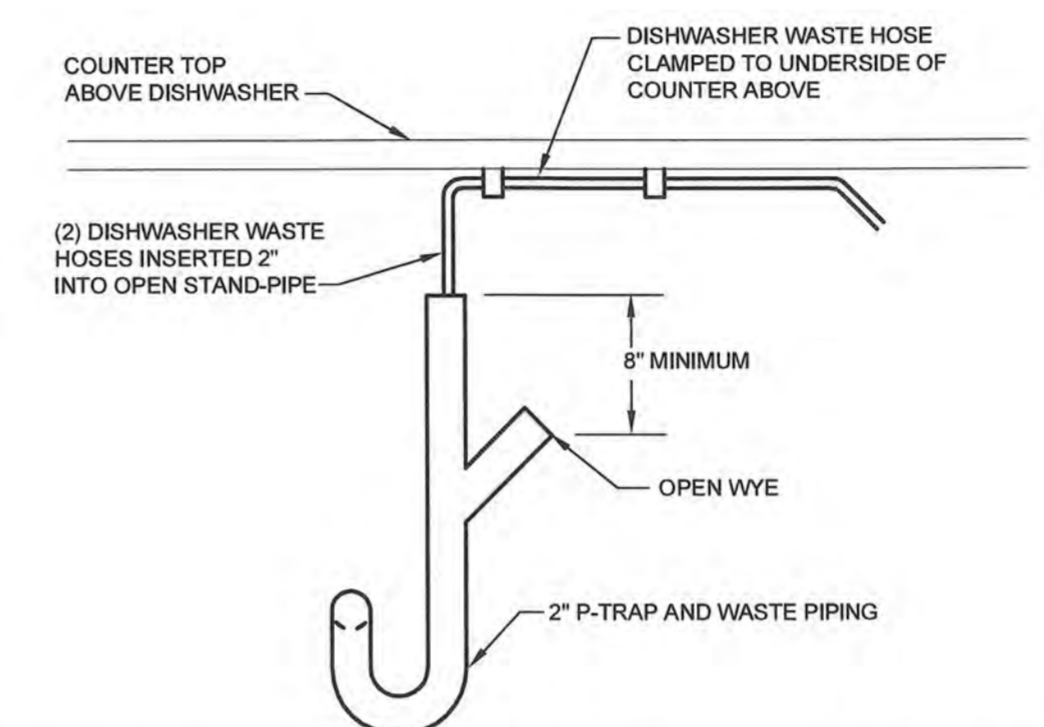
GAS WATER HEATER PIPING DETAIL
NO SCALE



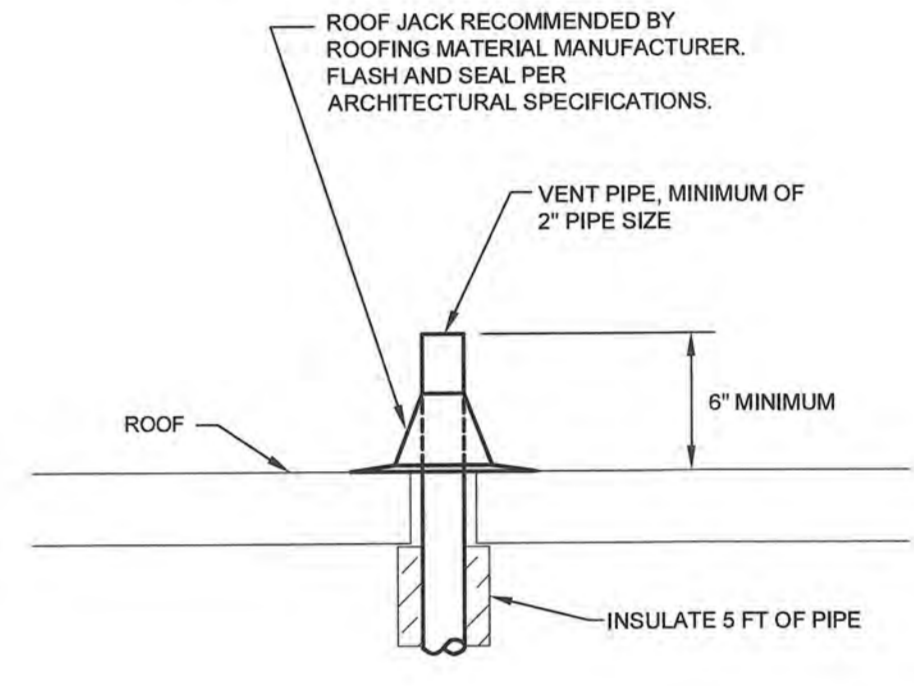
EVAPORATIVE COOLER PIPING SCHEMATIC
NO SCALE



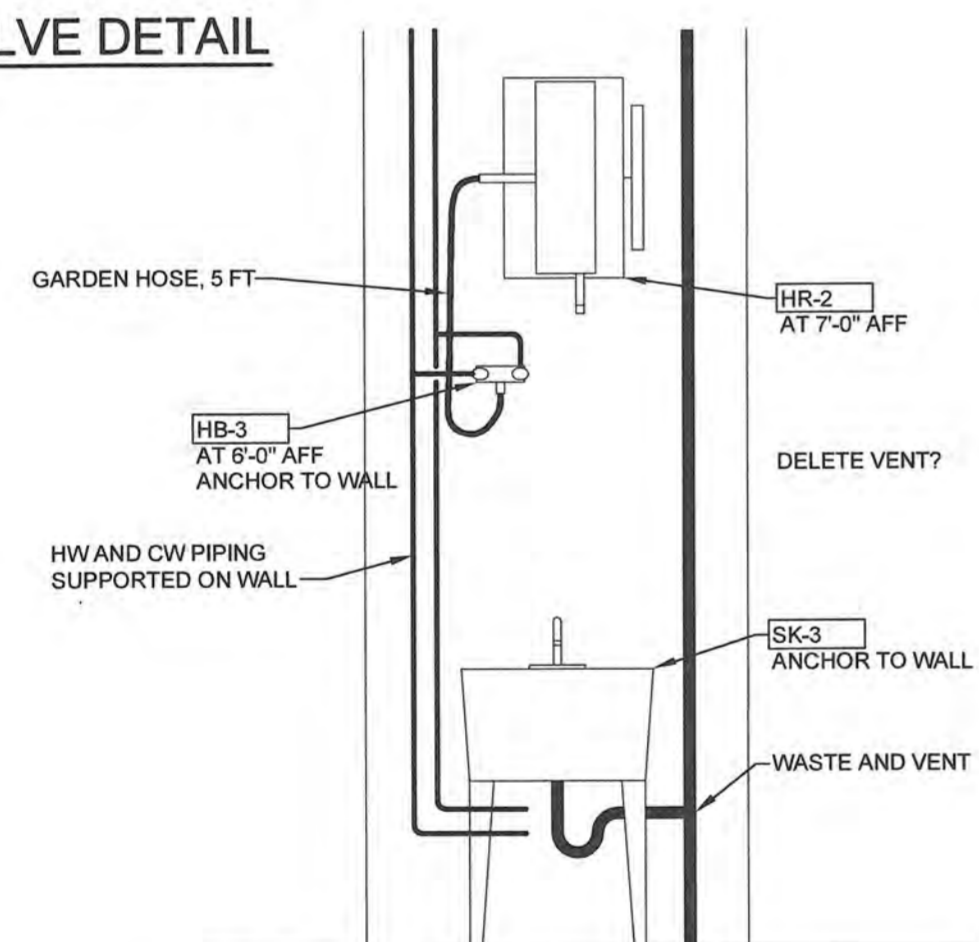
COMPRESSED AIR DROP DETAIL
NO SCALE



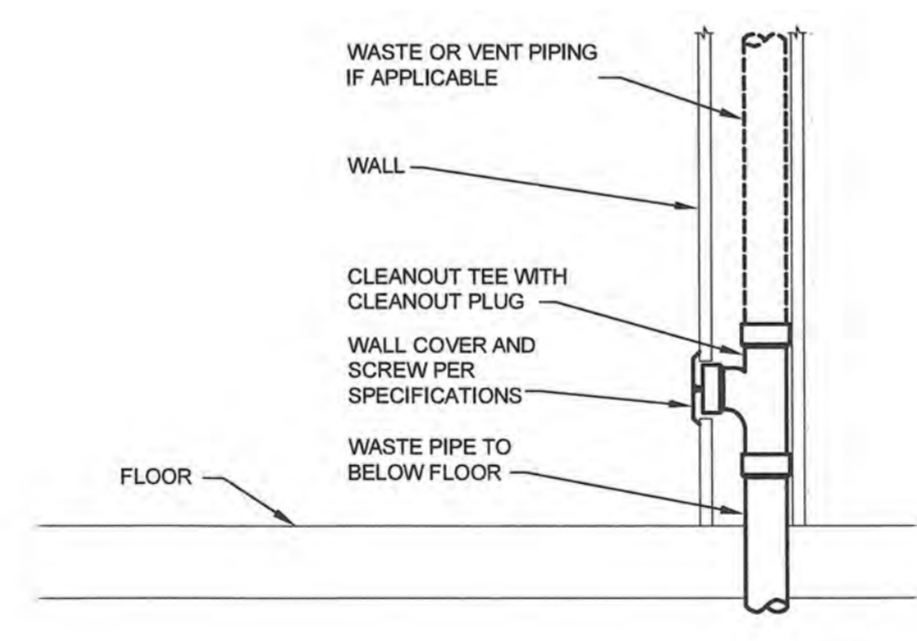
DISHWASHER WASTE CONNECTION DETAIL
NO SCALE



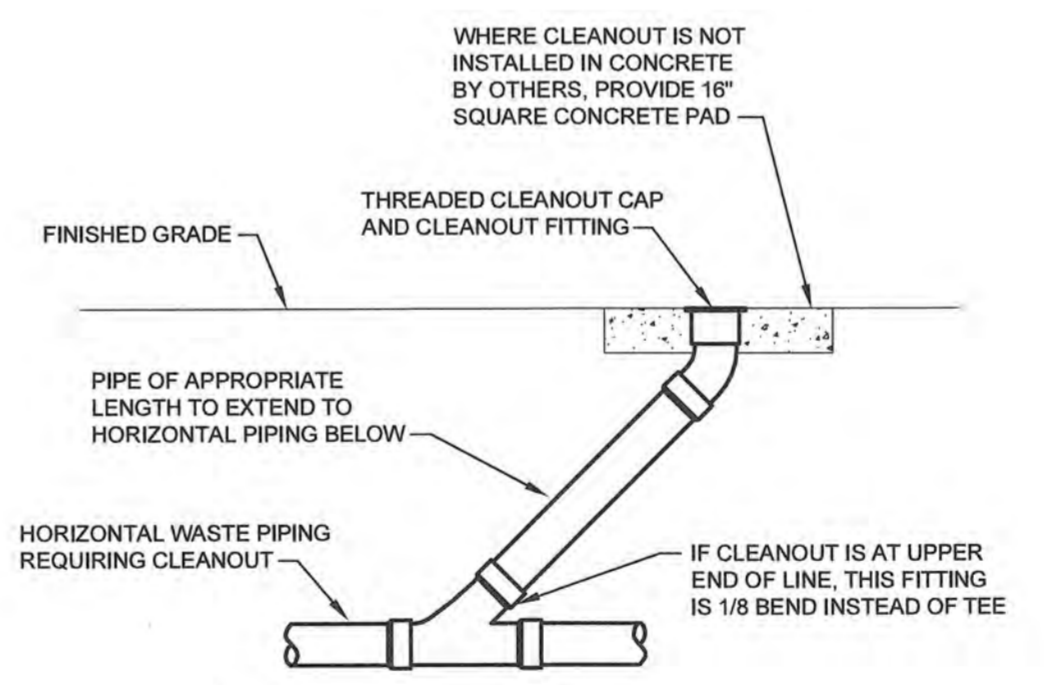
VENT THROUGH ROOF DETAIL
NO SCALE



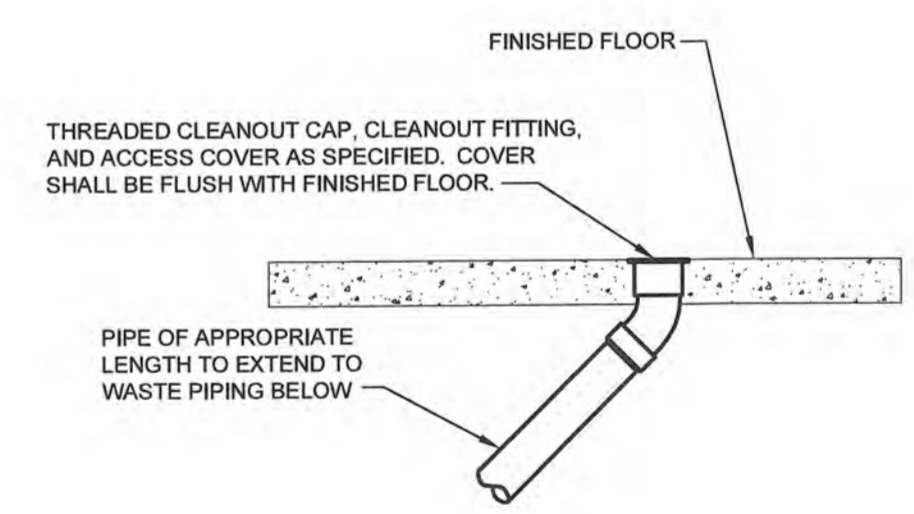
SK-3 AND HR-2 PIPING DETAIL
SCALE: 1/2" = 1'-0"



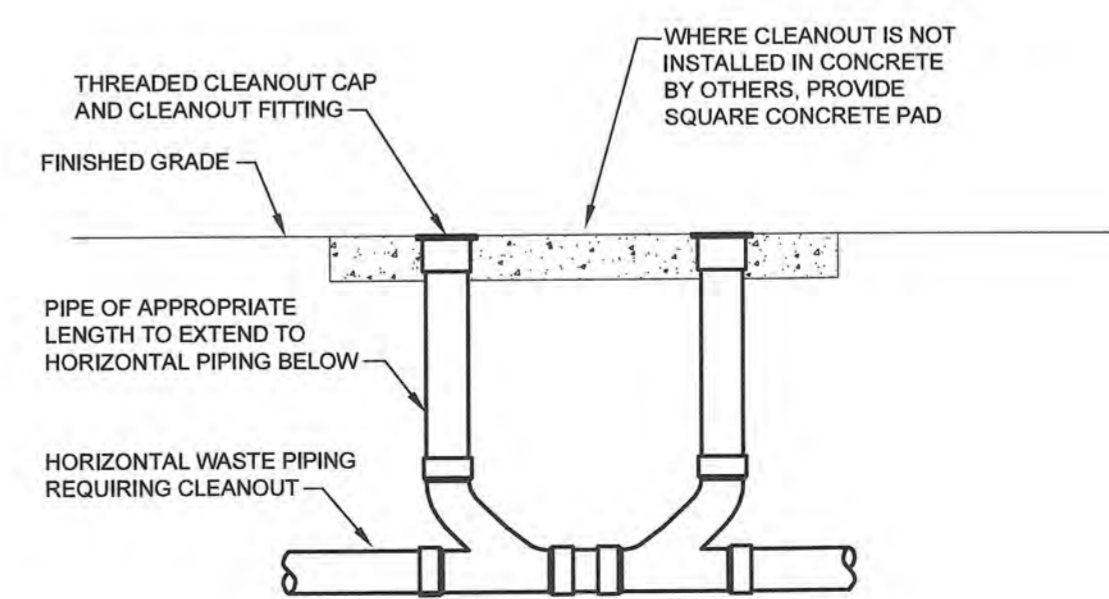
WALL CLEANOUT (W.C.O.) DETAIL



CLEANOUT TO GRADE (C.O.T.G.) DETAIL



FLOOR CLEANOUT (F.C.O.) DETAIL
NO SCALE



TWO-WAY CLEANOUT TO GRADE DETAIL
NO SCALE

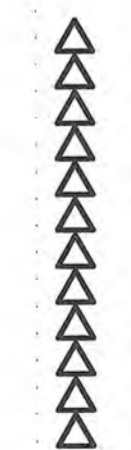


ORCHARD MESA FIRE STATION #4

GRAND JUNCTION, COLORADO

PLUMBING DETAILS

NO: ISSUED FOR: DATE:



PROJECT STATUS:
CONSTRUCTION DOCUMENTS

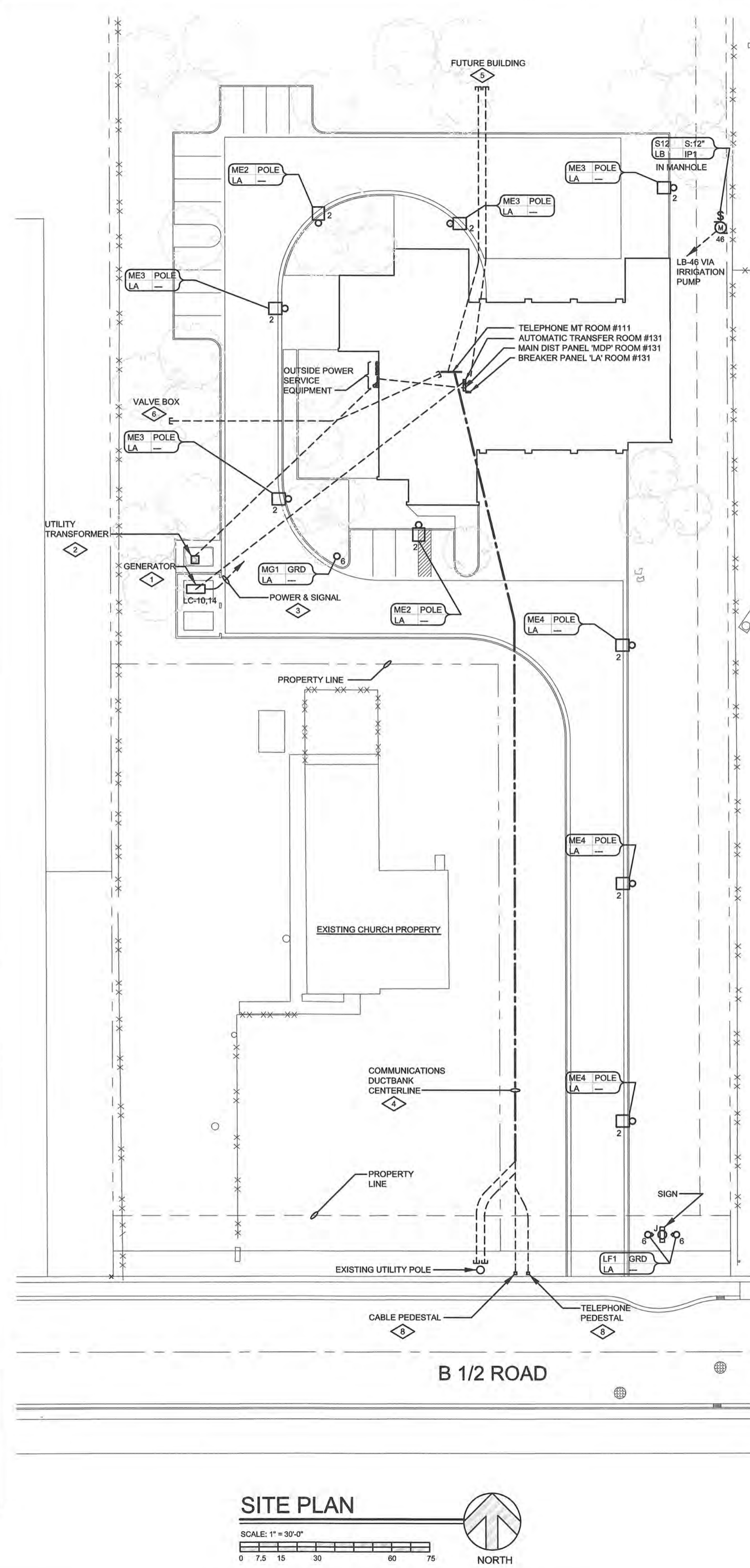
DRAWN BY: DCR CHECKED BY:

DATE:
04/10/2015 SHEET NO:

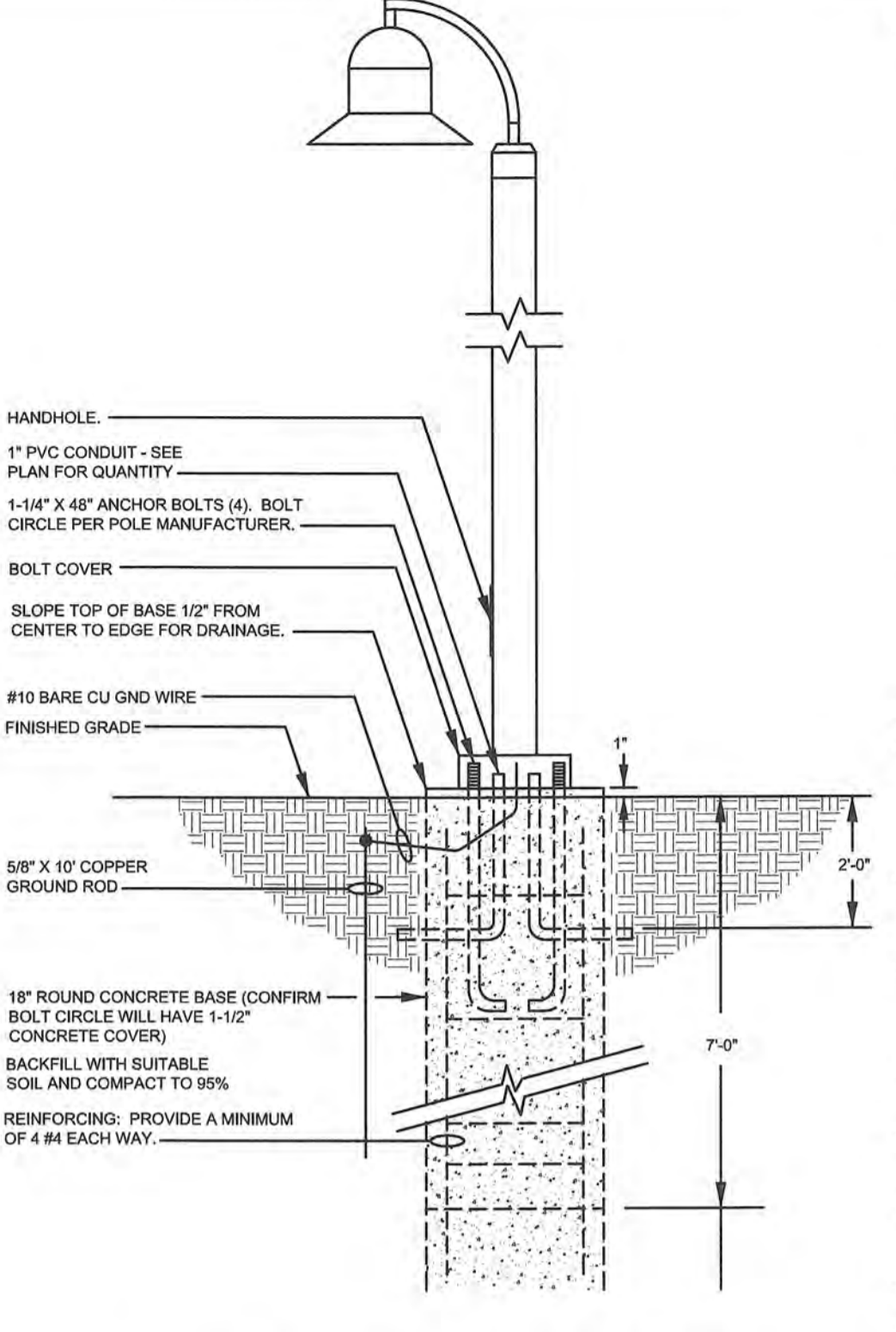
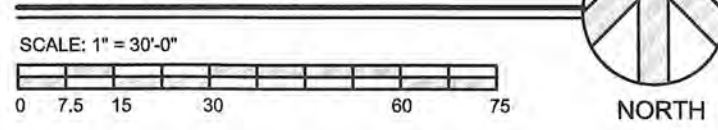
PROJECT NO:
1443 **P301**

ELECTRICAL LEGEND

SERVICE ENTRANCE		LIGHTING FIXTURES	
UTILITY METER MH = 5'-0" TO TOP	FLUORESCENT - LENSED 1 = CIRCUIT DESIGNATION b = SWITCH DESIGNATION HALF SHADED = EMERGENCY	FLUORESCENT - OPEN	CEILING MOUNTED WALL WASHER
TELEPHONE TERMINAL MH = 4'-6" TO CENTER	CEILING MOUNTED DOWNLIGHT	WALL BRACKET MH - SEE PLANS	POLE MOUNTED - SINGLE
PAD MOUNTED TRANSFORMER	POLE MOUNTED - DOUBLE	SWITCHES MH = 3'-10" TO CENTER	SINGLE POLE SWITCH b = SWITCH DESIGNATION SEE DEVICE SCHEDULE FOR SPECIFICATION
MAIN DISTRIBUTION CENTER	TWO POLE SWITCH	THREE WAY SWITCH	FOUR WAY SWITCH
EQUIPMENT		DIMMER SWITCH	SINGLE PUSHBUTTON STATION
CONTACTOR 30 = AMPERE RATING MH = 4'-6" TO TOP	FUSED DISCONNECT MH = 4'-6" TO TOP	ENCLOSED CIRCUIT BREAKER	OCCUPANCY SWITCH - CEILING
MAGNETIC MOTOR STARTER MH = 4'-6" TO TOP	UNFUSED DISCONNECT MH = 4'-6" TO TOP	MOTOR	OCCUPANCY SWITCH - WALL
FUSED DISCONNECT MH = 4'-6" TO TOP	ENCLOSED CIRCUIT BREAKER	PANELBOARD 1A = DESIGNATION 5'-0" TO TOP	FIRE ALARM SYSTEM
MOTOR	PHOTOCCELL	TIME CLOCK MH = 4'-6" TO TOP	MASTER PANEL MH = 5'-6" TO TOP
COMBINATION MOTOR STARTER MH = 4'-6" TO TOP	THERMOSTAT MH = 4'-6" TO CENTER	HUMIDISTAT MH = 4'-6" TO CENTER	ANNUNCIATOR PANEL MH = 5'-0" TO TOP
ABBREVIATIONS		HORNSTROBE COMBINATION MH = 7'-0" TO CENTER 60 = CP (15 CP IS DEFAULT)	STROBE MH = 7'-0" TO CENTER 60 = CP (15 CP IS DEFAULT)
AMPERES	ABOVE FINISHED FLOOR	BELOW CEILING	BREAKER
CEILING	DEDICATED CIRCUIT	DUSK TO DAWN	SWITCHED EMERGENCY
ELECTRICAL METALLIC TUBING	NON-SWITCHED EMERGENCY	EXISTING	GROUND FAULT CURRENT INTERRUPTER
GALVANIZED RIGID CONDUIT	GROUND	ISOLATED GROUND	JUNCTION BOX
KEY OPERATED SWITCH	SWITCH WITH PILOT LIGHT	LIGHTING ARRESTOR	NOT IN CONTRACT
NIGHT LIGHT	NOT TO SCALE	OCCUPANCY SENSING SWITCH	POLYVINYL CHLORIDE
MOTOR RATED SWITCH	WEATHERPROOF	WEATHERPROOF/GFCI	EQUIPMENT AC-1 = DESIGNATION - SEE SCHEDULE
FLAG NOTE	REVISION	ROOM NUMBER	SECTION MARK A = SECTION DESIGNATION E1 = REFERENCE DRAWING
DUPLEX RECEPTACLE 8 = CIRCUIT NUMBER (TYPICAL) SEE DEVICE SCHEDULE FOR SPECIFICATION	FOURPLEX RECEPTACLE	SPECIAL - SEE DEVICE SCHEDULE	SPLIT WIRED RECEPTACLE a = SWITCH DESIGNATION
JUNCTION BOX - CEILING OR FLOOR	JUNCTION BOX - WALL	MULTI-PORT SIGNAL 2T - TWO TELEPHONE PORTS 3N - THREE NETWORK PORTS 4C - FOUR COAXIAL CABLE PORTS	CEILING RECEPTACLE
SINGLE RECEPTACLE	CONDUIT	P-7 CONCEALED ABOVE GRADE P1-7 = PANEL & CIRCUIT HACHURES = # OF WIRES	UNDER FLOOR/UNDERGROUND
UNDERGROUND DUCTBANK	FLEX	HOME RUN P1-7 = PANEL & CIRCUIT HACHURES = # OF WIRES	TURNING UP
TURNING DOWN	BUSHED OR CAPPED CONDUIT	SURFACE RACEWAY	GENERATOR 30/2 = AMPERE RATING/POLES

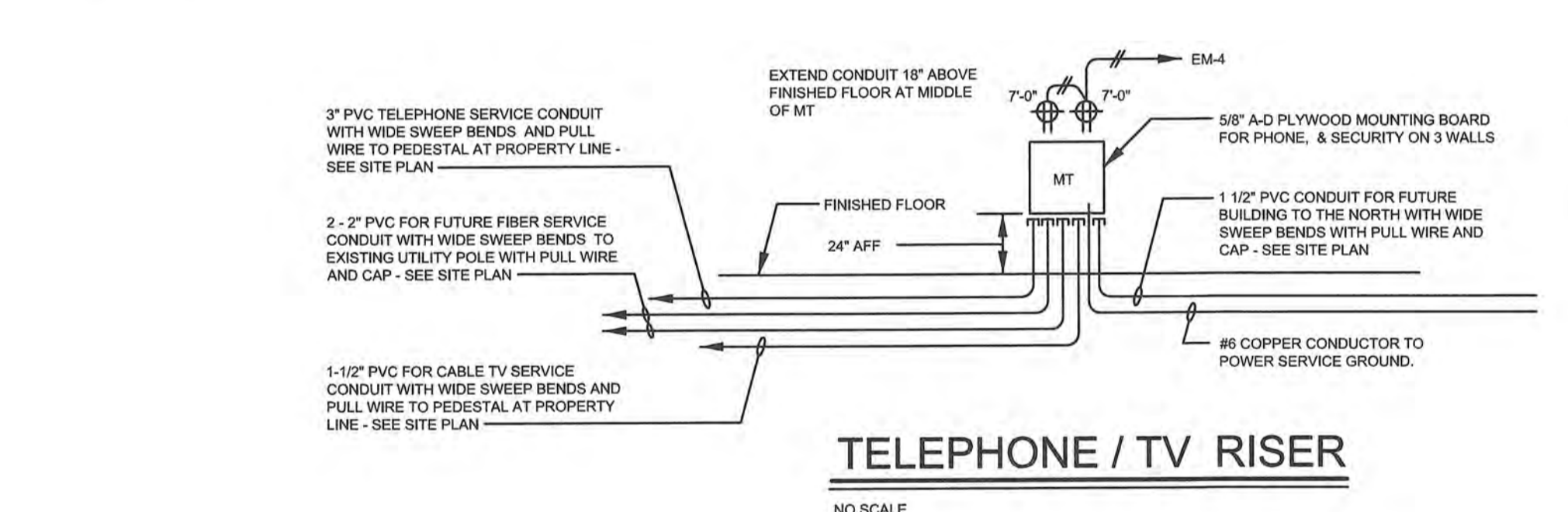


SITE PLAN



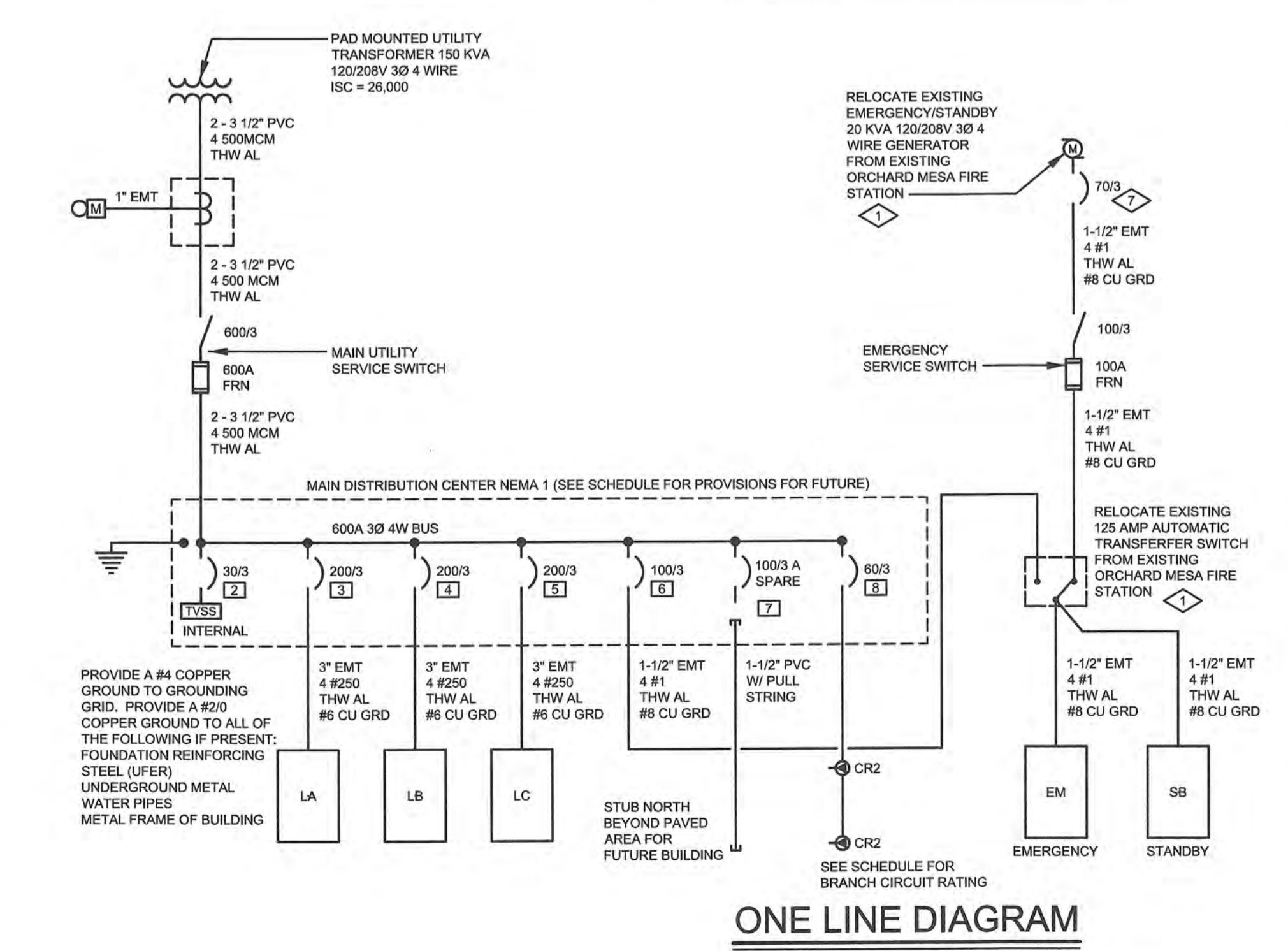
BASE "ME2", "ME3" & "ME4"

NO SCALE



TELEPHONE / TV RISER

NO SCALE



ONE LINE DIAGRAM

NO SCALE

GENERAL SITE NOTES:

- PROVIDE A SEPARATE GREEN INSULATED GROUND WIRE SIZED PER NATIONAL ELECTRICAL CODE TABLE 250.122 IN ALL BRANCH CIRCUIT AND FEEDER RACEWAYS CONTAINING POWER CONDUCTORS. GROUND WIRE IS NOT INCLUDED IN HACHURE COUNT ON DRAWINGS.
- ALL RACEWAYS INSTALLED UNDERGROUND, OR UNDER THE BUILDING SHALL BE NO SMALLER THAN 3/4". ALL CONDUCTORS INSTALLED UNDERGROUND OR UNDER THE BUILDING SHALL BE NO SMALLER THAN #12.
- WHERE 208 VOLT BRANCH CIRCUITS EXCEED 75', INCREASE WIRE SIZE TO #10, AND INCREASE RACEWAY SIZE TO 1".
- UNDERGROUND CONDUITS SHALL BE RUN IN A COMMON TRENCH AS MUCH AS POSSIBLE. POWER AND SIGNAL CONDUITS SHALL BE SEPARATED A MINIMUM OR 12". MAJOR CONDUIT RUNS ARE SHOWN ON THIS PLAN. SEE BUILDING PLANS FOR ADDITIONAL SITE BRANCH CIRCUITS.
- ALL CONDUITS SHALL BE BURIED A MINIMUM OF 36" BELOW FINISHED GRADE. BED CONDUITS: 6" BELOW AND 6" ABOVE IN LOCAL MATERIAL WITH NO ROCKS LARGER THAN 1" IN DIAMETER, OR IMPORT SAND IF ACCEPTABLE LOCAL MATERIAL IS UNAVAILABLE. PLACE WARNING TAPE 1'-0" ABOVE ALL BURIED CONDUITS. SEE L-LINE DIAGRAM FOR FEEDER CONDUIT SIZES. SEE SIGNAL RISERS FOR COMMUNICATION CONDUIT SIZES.
- SEE SPECIFICATIONS FOR ADDITIONAL CONSTRAINTS ON POWER AND COMMUNICATIONS SERVICES, AND OUTSIDE BRANCH CIRCUITS AND FEEDERS.

NOTES REFERENCED ON THE PLANS:

- RELOCATE EXISTING GENERATOR AND AUTOMATIC TRANSFER SWITCH FROM OLD ORCHARD MESA FIRE STATION. RECONNECT GENERATOR FOR 3Ø OUTPUT. ADD THIRD POLE TO AUTOMATIC TRANSFER SWITCH. ORIENT GENERATOR SO THAT AIR DISCHARGE FACES THE OPEN OF THE ENCLOSURE. LOCATE CONDUIT STUB UPS PER EXISTING GENERATOR.
- ORIENT UTILITY TRANSFORMER SO THAT THE TERMINAL COMPARTMENT HAS A MINIMUM OF 8" CLEARANCE FOR HOT STICK OPERATIONS. LOCATE CONDUIT STUB UPS PER UTILITY COMPANY REQUIREMENTS.
- PROVIDE 3/4" PVC TO GENERATOR EMERGENCY STOP. PROVIDE 3/4" PVC TO PANEL 'LC' FOR GENERATOR BATTERY CHARGER AND BLOCK HEATER. PROVIDE 3/4" PVC TO THE AUTOMATIC TRANSFER SWITCHES FOR THE GENERATOR START SIGNAL.
- PROVIDE 3" TELEPHONE CONDUIT, 1-1/2" CABLE SERVICE CONDUIT AND (2)-2" CONDUITS FOR FUTURE FIBER OPTIC CABLES.
- STUB 1 1/2" PVC POWER AND SIGNAL CONDUITS NORTH OF THE BUILDING FOR FUTURE STORAGE BUILDING.
- STUB 1-1/2" CONDUIT FROM SPRINKLER CONTROLLER IN IT ROOM TO VALVE BOX OUTSIDE THE BUILDING. COORDINATE LOCATION OF VALVE BOX WITH SPRINKLER SYSTEM INSTALLER.
- REPLACE 90 AMP 2 POLE GENERATOR OUTPUT BREAKER WITH 70 AMP 3 POLE.
- CONFIRM PEDESTAL LOCATIONS WITH UTILITY COMPANIES PRIOR TO RUNNING CONDUIT.

CHAMBERLIN ARCHITECTS
 437 Main St.
 Grand Junction, Colorado 81501
 T. 970.242.6804

725 Saint Joseph St., Suite B1
 Rapid City, South Dakota 57701
 T. 605.355.6804

www.chamberlinarchitects.com

GVECS
 GRAND VALLEY ENGINEERING SOLUTIONS
 ELECTRICAL CONSULTING ENGINEERS

2961 CIRCLE DR. GRAND JUNCTION, CO 81503
 (970) 255-0393 FAX: (970) 245-5319

ORCHARD MESA FIRE STATION #4

GRAND JUNCTION, COLORADO

LEGEND, SITE PLAN, ONE LINE & DETAILS

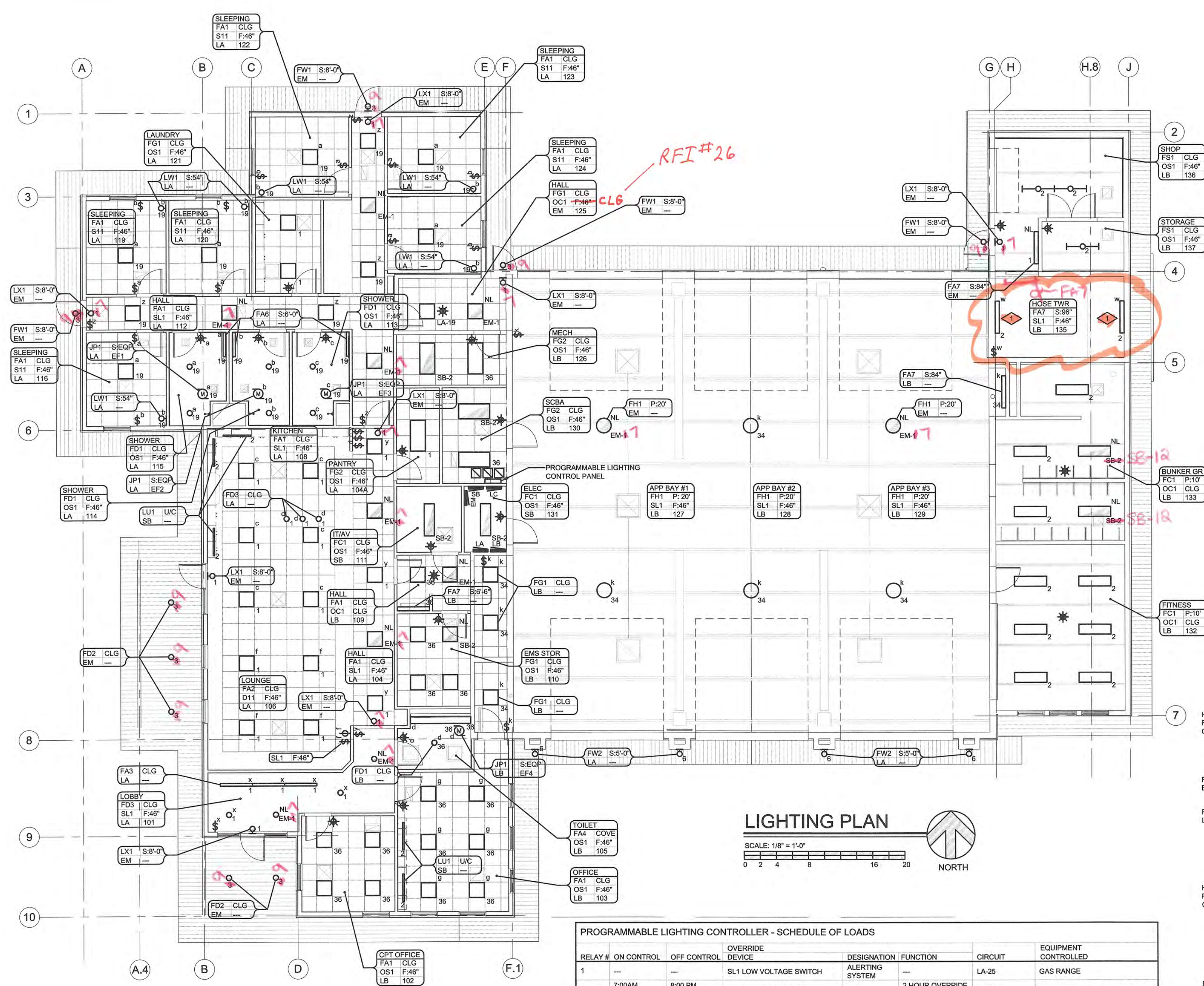
NO: ISSUED FOR: DATE:

PROJECT STATUS: 100% CD

DRAWN BY: KLT CHECKED BY: WLM

DATE: 04/10/2015 SHEET NO:

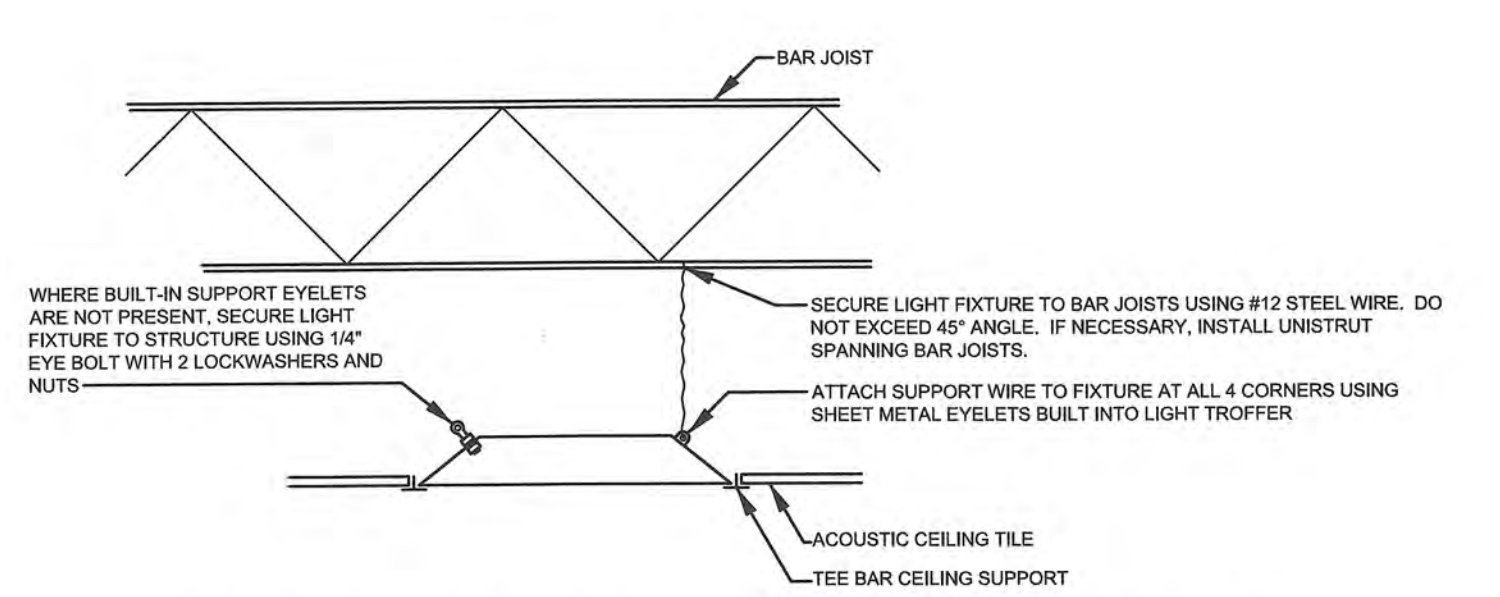
PROJECT NO: 1443/140330 **E101**



- GENERAL LIGHTING NOTES:**
- PROVIDE A SEPARATE GREEN INSULATED GROUND WIRE SIZED PER NATIONAL ELECTRICAL CODE TABLE 250.122 IN ALL BRANCH CIRCUIT AND FEEDER RACEWAYS CONTAINING POWER CONDUCTORS. GROUND WIRE IS NOT INCLUDED IN HACHURE COUNT ON DRAWINGS.
 - REVIEW ARCHITECTURAL REFLECTED CEILING PLANS PRIOR TO INSTALLATION OF LIGHT FIXTURES. CALL ANY DISCREPANCIES TO THE ATTENTION OF THE ENGINEER.
 - FIXTURE MOUNTING HEIGHTS SHOWN ON THE PLANS TAKE PRECEDENCE OVER DEFAULT MOUNTING HEIGHTS SHOWN IN THE LEGEND.
 - ALL LIGHT SWITCHES ARE TO BE INSTALLED FLUSH UNLESS OTHERWISE INDICATED.
 - THE MOUNTING HEIGHT OF WALL MOUNTED LIGHTING FIXTURES IS THE DISTANCE FROM THE FINISHED FLOOR TO THE BOTTOM OF THE LIGHTING FIXTURE DIFFUSER OR REFLECTOR. DETERMINE THE BOX HEIGHT FROM THE LIGHTING FIXTURE MOUNTING HEIGHT AND THE LIGHTING FIXTURE DIMENSIONS.
 - THE MOUNTING HEIGHT OF CORD, CHAIN, PENDANT, OR AIRCRAFT CABLE SUPPORTED LIGHTING FIXTURES IS THE DISTANCE FROM THE FINISHED FLOOR TO THE BOTTOM OF THE LIGHTING FIXTURE DIFFUSER OR REFLECTOR. DETERMINE CORD, CHAIN, PENDANT, OR AIRCRAFT CABLE LENGTH FROM THE LIGHTING FIXTURE MOUNTING HEIGHT, LIGHTING FIXTURE DIMENSIONS, AND THE CEILING HEIGHT.
 - THE FOLLOWING MAIN KEY DEFINES LIGHTING FIXTURES IN THE ROOM LISTED. ALL FIXTURES IN THIS SPACE ARE TO COMPLY WITH THIS MAIN KEY UNLESS OVERRIDDEN BY A TAG.
- ROOM NAME — LIGHT FIXTURE MOUNTING FLUSH OR SURFACE: HEIGHT
 FIXTURE DESIGNATION - SEE LIGHTING FIXTURE SCHEDULE — OFFICE FG1 CLG PPI 1000
 PANEL DESIGNATION — ROOM NUMBER
- THE FOLLOWING TAG DEFINES LIGHTING FIXTURES WHICH ARE DIFFERENT FROM THOSE DEFINED IN THE MAIN KEY. THIS TAG OVERRIDES THE MAIN KEY FOR THE LIGHTING FIXTURE INDICATED AND SIMILARLY SHAPED LIGHTING FIXTURES IN THIS SPACE.
- FIXTURE DESIGNATION - SEE SCHEDULE — FG1 F:46" PPI 7
 PANEL DESIGNATION — FIXTURE MOUNTING FLUSH OR SURFACE: HEIGHT
 TYPICAL NUMBER OF THIS TYPE OF LIGHTING FIXTURE
 - SEE SPECIFICATIONS FOR ADDITIONAL CONSTRAINTS ON THE INSTALLATION OF THE LIGHTING SYSTEM.

NOTES REFERENCED ON THE PLANS:

◇ PROVIDE ONE TYPE "FAT" FIXTURE AT EACH STAIR LANDING. MOUNT FIXTURES 8'-0" ABOVE STAIR LANDING.
SEE RFI #24

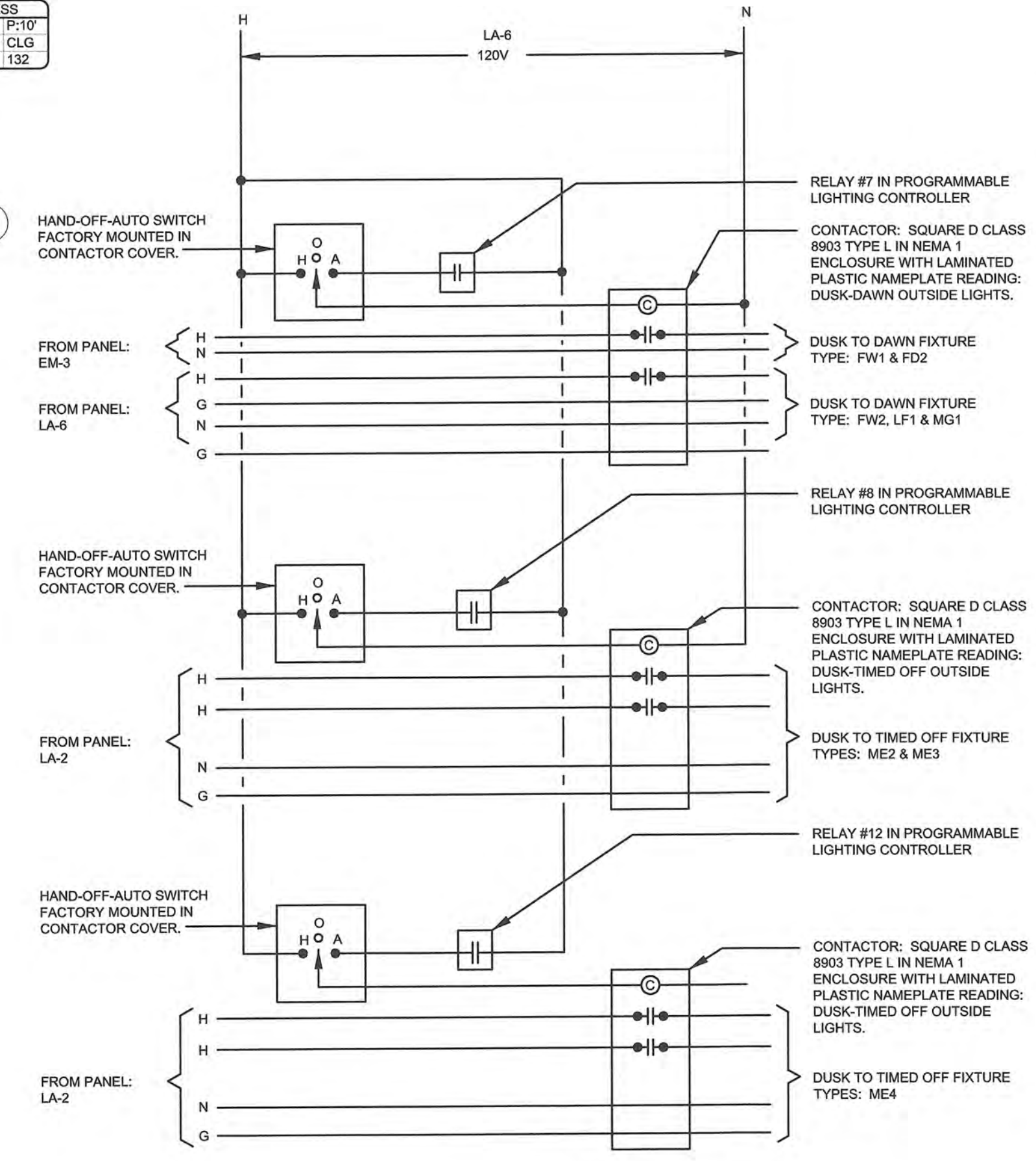


SEISMIC SUPPORT OF LIGHT TROFFERS
NO SCALE

PROGRAMMABLE LIGHTING CONTROLLER - SCHEDULE OF LOADS

RELAY #	ON CONTROL	OFF CONTROL	OVERRIDE DEVICE	DESIGNATION	FUNCTION	CIRCUIT	EQUIPMENT CONTROLLED
1	—	—	SL1 LOW VOLTAGE SWITCH	ALERTING SYSTEM	—	LA-25	GAS RANGE
2	7:00AM MON-SUN	8:00 PM MON-SUN	SL1 LOW VOLTAGE SWITCH	"z"	2 HOUR OVERRIDE ON/OFF	LA-19	HALL 112 @ SLEEPING ROOMS
3	7:00AM MON-SUN	10:00 PM MON-SUN	SL1 LOW VOLTAGE SWITCH	"y"	2 HOUR OVERRIDE ON/OFF	LA-1	HALL 104 @ KITCHEN & DINING
4	7:00AM MON-SUN	8:00 PM MON-SUN	SL1 LOW VOLTAGE SWITCH	"x"	2 HOUR OVERRIDE ON/OFF	LA-1	LOBBY
5	7:00AM MON-SUN	8:00 PM MON-SUN	SL1 LOW VOLTAGE SWITCH	"k"	2 HOUR OVERRIDE ON/OFF	EM-1	APPARATUS BAY LIGHTING
6	—	8:00 PM MON-SUN	—	"w"	2 HOUR OVERRIDE ON/OFF	LB-2	HOSE TOWER LIGHTS
7	DUSK	DAWN	—	—	—	LA-6	EXTERIOR LIGHTING DUSK TO DAWN (BUILDING)
8	DUSK 6:00 AM	10:00 PM MON-SUN	—	—	—	LA-2	PARKING LOT LIGHTING DUSK TO TIMED OFF
9	DOOR OPENS ON ALARM	—	ALERTING SYSTEM	—	—	SB-1	APPATATUS BAY DOOR
10	DOOR OPENS ON ALARM	—	ALERTING SYSTEM	—	—	SB-3	APPATATUS BAY DOOR
11	DOOR OPENS ON ALARM	—	ALERTING SYSTEM	—	—	SB-5	APPATATUS BAY DOOR
12	DUSK	10:00 PM	ALERTING SYSTEM	—	—	LA-2	ENTRY DRIVE TYPE "ME4" LIGHTS
13	—	10:00 PM MON-SUN	SL1 LOW VOLTAGE SWITCH	"c"	ON/OFF	LA-1	KITCHEN LIGHTS
14	—	10:00 PM MON-SUN	SL1 LOW VOLTAGE SWITCH	"d"	ON/OFF	LA-1	KITCHEN LIGHTS
15	—	12:00 PM MON-SUN	SL1 LOW VOLTAGE SWITCH	"t"	ON/OFF	LA-1	LOUNGE
16	SPARE	—	—	—	—	—	—

CONFIRM SCHEDULE WITH OWNER BEFORE PROGRAMMING CONTROLLER



EXTERIOR LIGHTING CONTROL
NO SCALE

ORCHARD MESA FIRE STATION #4

GRAND JUNCTION, COLORADO

LIGHTING PLAN

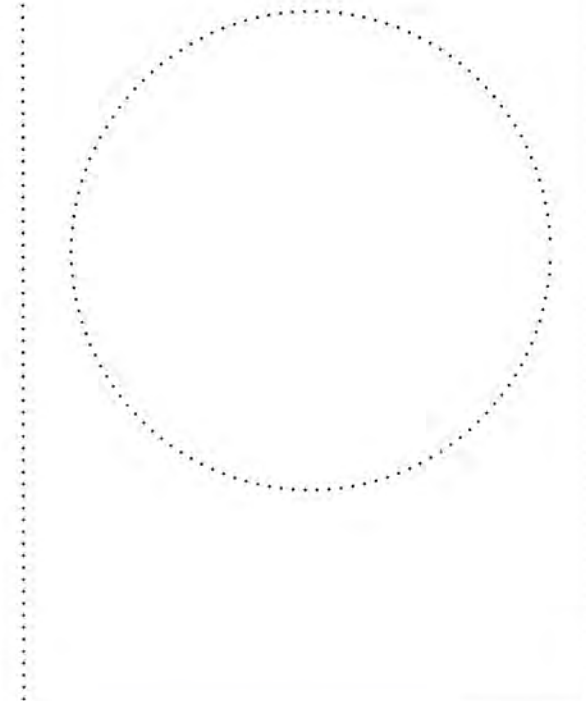
NO: ISSUED FOR: DATE:

PROJECT STATUS: 100% CD

DRAWN BY: KLT CHECKED BY: WLM

DATE: 04/10/2015 SHEET NO:

PROJECT NO: 1443/140330 **E201**



**ORCHARD MESA
FIRE STATION #4**

GRAND JUNCTION, COLORADO

POWER PLAN

NO: ISSUED FOR: DATE:

PROJECT STATUS: 100% CD

DRAWN BY: KLT CHECKED BY: WLM

DATE: 04/10/2015 SHEET NO:

PROJECT NO: 1443/140330 **E301**

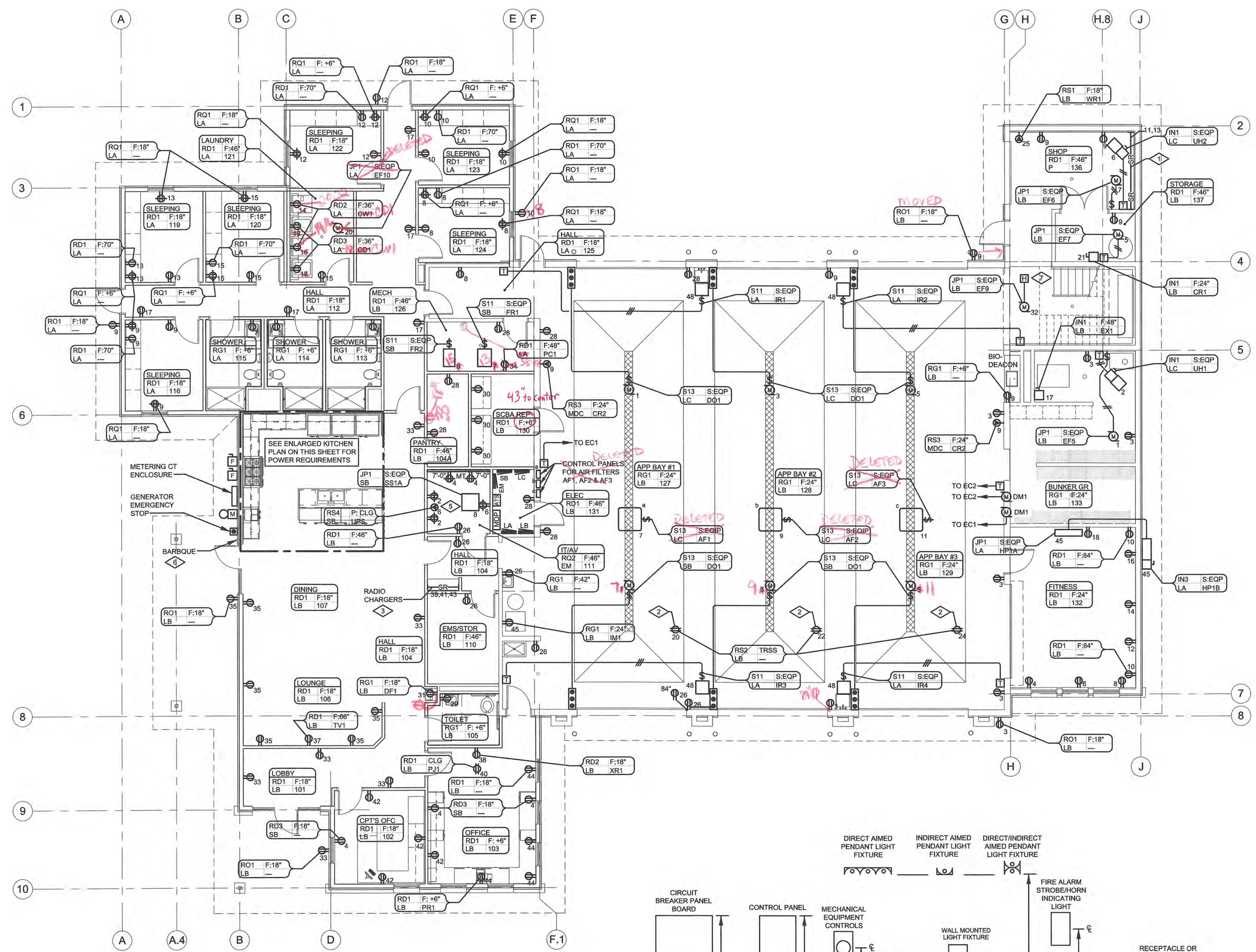
©2015 Chamberlin Architects

GENERAL POWER NOTES:

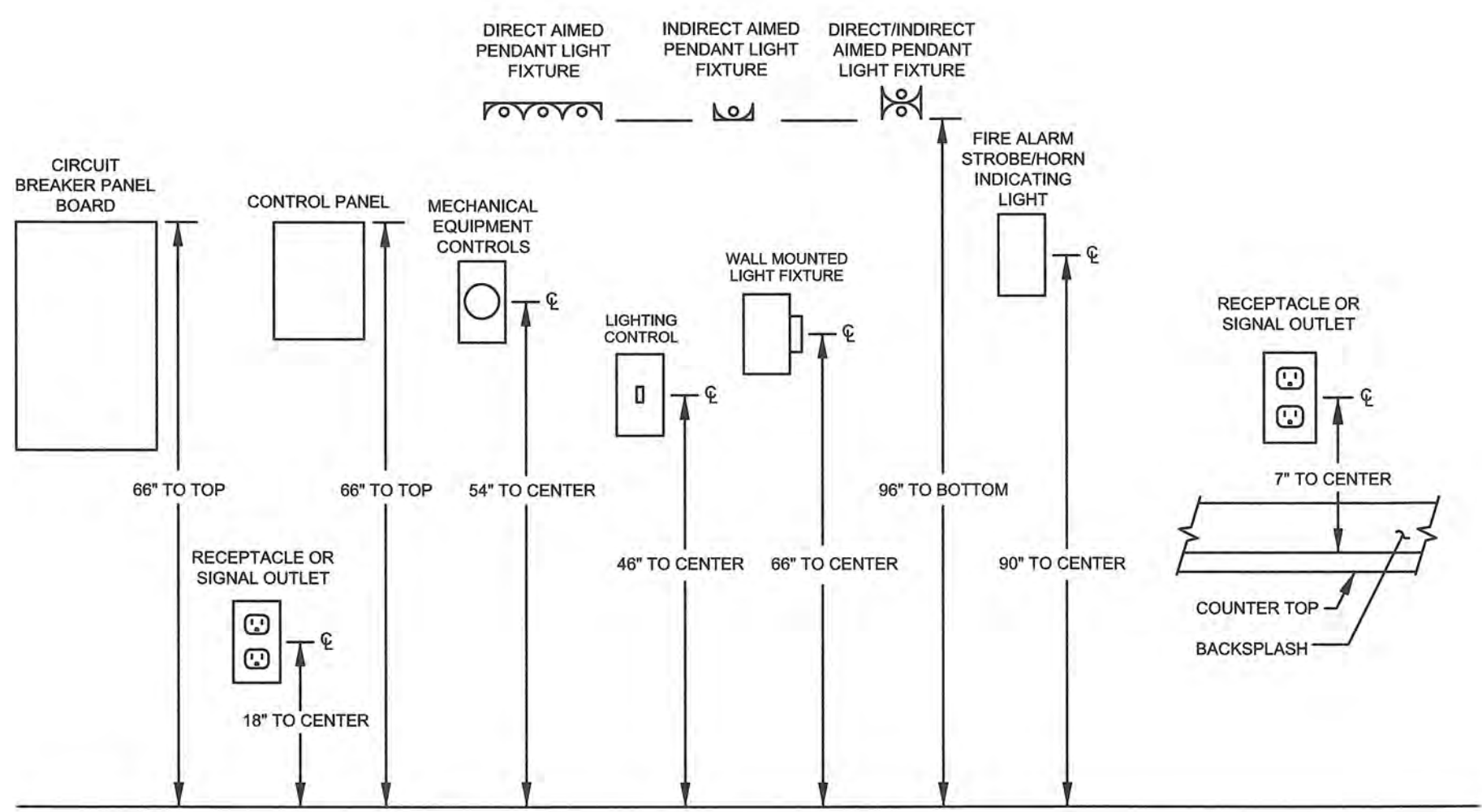
- 1 PROVIDE A SEPARATE GREEN INSULATED GROUND WIRE SIZED PER NATIONAL ELECTRICAL CODE TABLE 250.122 IN ALL BRANCH CIRCUIT AND FEEDER RACEWAYS CONTAINING POWER CONDUCTORS. GROUND WIRE IS NOT INCLUDED IN HACHURE COUNT ON DRAWINGS.
 - 2 REVIEW CASEWORK ELEVATIONS ON ARCHITECTURAL DRAWINGS AND CASEWORK SHOP DRAWINGS PRIOR TO INSTALLATION OF WIRING DEVICE BOXES. CALL ANY DISCREPANCIES TO THE ATTENTION OF THE ENGINEER. WHERE DEVICES WOULD FALL BEHIND CASEWORK, RELOCATE DEVICES 2' CLEAR OF BACKSPLASH, OR COUNTER.
 - 3 DEVICE MOUNTING HEIGHTS SHOWN ON THE PLANS TAKE PRECEDENCE OVER DEFAULT MOUNTING HEIGHTS SHOWN IN THE LEGEND.
 - 4 PROVIDE FAR SIDE BOX SUPPORTS ON ALL BOXES MOUNTED TO STEEL STUDS. THE DEPTH OF THE MUD RINGS SHALL BE NO LESS THAN THE THICKNESS OF THE SHEETROCK.
 - 5 ALL WIRING DEVICES ARE TO BE INSTALLED FLUSH UNLESS OTHERWISE INDICATED. THE PLANES OF THE FACE OF THE WIRING DEVICE AND THE COVERPLATE SHALL BE PARALLEL. IF THE WIRING DEVICE CANNOT BE INSTALLED IN DIRECT CONTACT WITH THE MUD RING, OR IF ALL 4 TABS OF THE WIRING DEVICE ARE NOT SUPPORTED ON THE FRONT FACE OF THE SHEET ROCK, WASHER SPACERS SHALL BE INSTALLED BETWEEN THE WIRING DEVICE AND THE MUD RING.
 - 6 FLEX SHALL NOT BE USED FOR BRANCH CIRCUIT HOME RUNS. IF AC OR MC CABLE IS ALLOWED BY THE SPECIFICATIONS FOR BRANCH CIRCUIT WIRING, IT SHALL NOT BE USED BETWEEN THE LAST BOX, AND THE PANELBOARD. FLEX SHALL NOT BE USED FOR DEDICATED CIRCUITS.
 - 7 THE MOUNTING HEIGHT OF WIRING DEVICES IS DEFINED AS THE DISTANCE FROM THE FINISHED FLOOR TO THE CENTER OF THE DEVICE BOX.
 - 8 THE FOLLOWING MAIN KEY DEFINES POWER WIRING DEVICES IN THE ROOM LISTED. ALL DEVICES IN THIS SPACE ARE TO COMPLY WITH THIS MAIN KEY UNLESS OVERRIDDEN BY A DEVICE TAG.
- | | | |
|------------------------|---------------|---|
| ROOM NAME | OFFICE | POWER DEVICE MOUNTING SURFACE OR FLUSH HEIGHT (MH OF +6" IS HEIGHT ABOVE COUNTER) |
| SCHEDULED POWER DEVICE | RD1 F:18" PP1 | ROOM NUMBER |
| PANEL DESIGNATION | PP1 CM-01 | |
- 9 THE FOLLOWING DEVICE TAGS DEFINE POWER WIRING DEVICES WHICH ARE DIFFERENT FROM THOSE DEFINED IN THE MAIN KEY. THESE DEVICE TAGS OVERRIDE THE MAIN KEY ONLY FOR THE DEVICE OR DEVICES INDICATED.
- | | | |
|------------------------|---------------|---|
| SCHEDULED POWER DEVICE | RD1 F:18" PP1 | POWER DEVICE MOUNTING SURFACE OR FLUSH HEIGHT (MH OF +6" IS HEIGHT ABOVE COUNTER) |
| PANEL DESIGNATION | PP1 CM-01 | SCHEDULED EQUIPMENT |
- 10 SEE SPECIFICATIONS FOR ADDITIONAL CONSTRAINTS ON THE INSTALLATION OF WIRING DEVICE BOXES.

NOTES REFERENCED ON THE PLANS:

- 1 PROVIDE POWER RACEWAY. WIREMOLD #3000 WITH (10) SINGLE 20A RECEPTACLE OUTLETS 12" ON CENTER. MOUNT RACEWAY AT 44" AFF. VERIFY MOUNTING HEIGHT WITH ARCHITECT PRIOR TO ROUGH-IN. WIRE TO PANEL 'LB' CIRCUIT #11 & 13.
- 2 PROVIDE CEILING MOUNTED DROP DOWN CORD REEL WITH DUPLEX RECEPTACLE ON END OF 45'-0" CORD. HUBBELL: #HBL501232W WITH #HBL16PB BASE. MOUNT ON BOTTOM SIDE OF CEILING STRUCTURAL STEEL. VERIFY EXACT LOCATION WITH ARCHITECT PRIOR TO ROUGH-IN.
- 3 SHELVES ARE TO BE PROVIDED FOR RADIO CHARGERS. PROVIDE POWER RACEWAY AT EACH SHELF. RACEWAY TO BE WIREMOLD #2000 WITH SINGLE 15A RECEPTACLE OUTLETS 6" ON CENTER. COORDINATE HEIGHTS WITH CASEWORK ELEVATIONS. WIRE EACH SHELF TO ITS OWN CIRCUIT. SHELF #1 (LB-39), SHELF #2 (LB-41) AND SHELF #3 (LB-43).
- 4 WIRE GAS RANGE POWER RECEPTACLE THROUGH ALERTING SYSTEM TO BE DE-ENERGIZED WHEN GAS TO RANGE IS CUT-OFF TO PREVENT PILOT IGNITERS FROM CYCLING. SEE WIRING DIAGRAM ON SHEET E402.
- 5 SUSPEND UPS RECEPTACLE ON #10/4 SO CABLE FROM CEILING ABOVE NETWORK RACK.
- 6 WIRE GAS SOLENOID THROUGH ALERTING SYSTEM TO BE DE-ENERGIZED WHEN A CALL COMES IN. SEE WIRING DIAGRAM ON SHEET E402.
- 7 WALL MOUNT 54" AFF TOP OF TOWER.

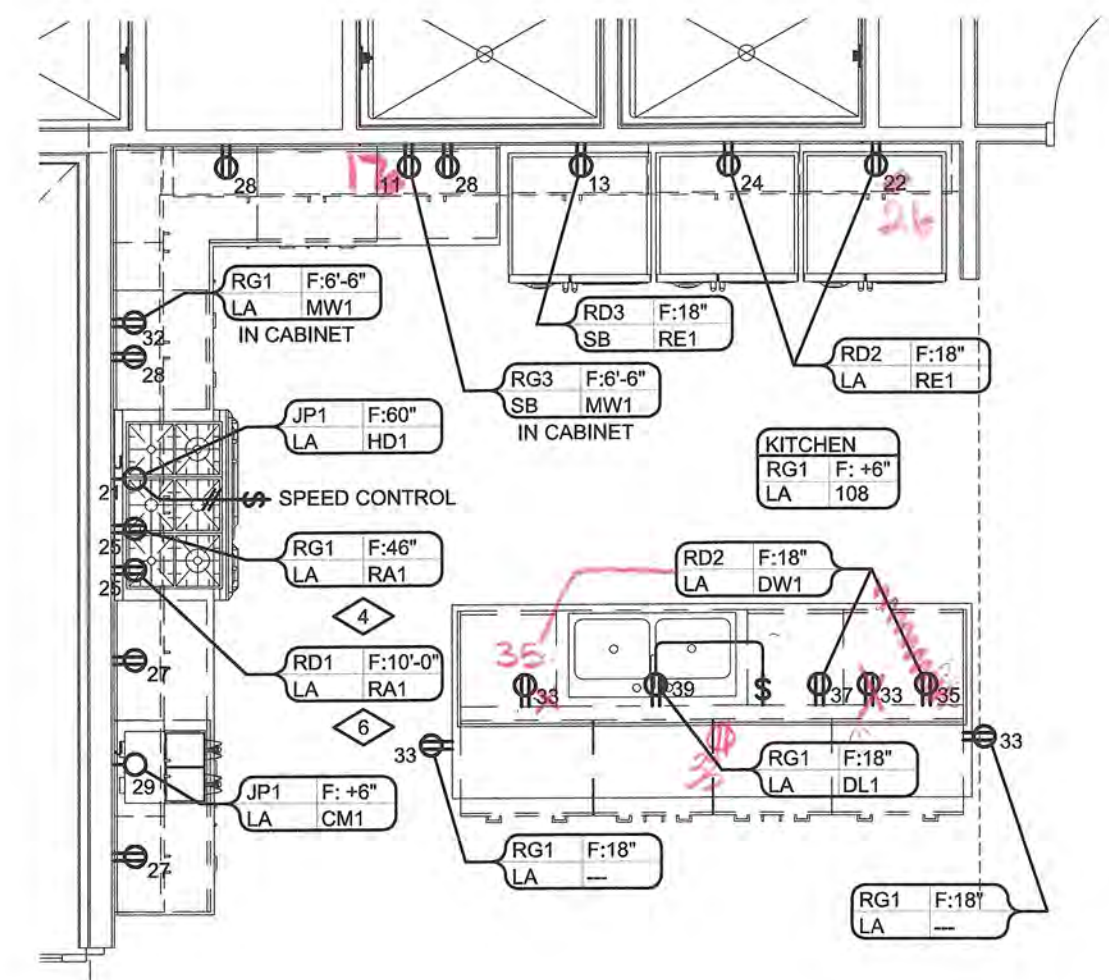


POWER PLAN
SCALE: 1/8" = 1'-0"
0 2 4 8 16 20
NORTH

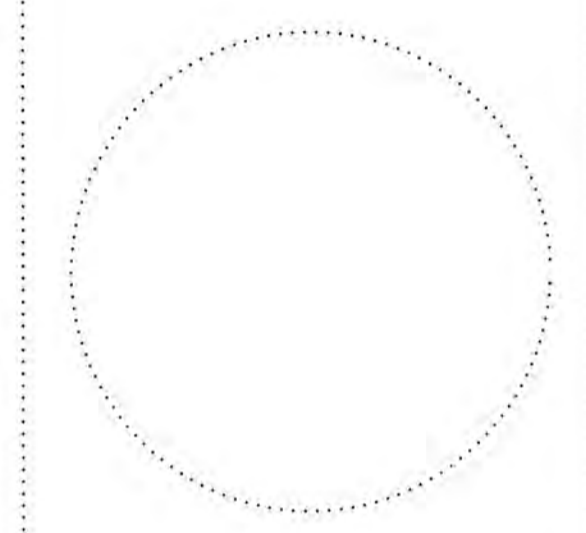


DEFAULT MOUNTING HEIGHTS

NO SCALE
CALCULATE BOX MOUNTING HEIGHT FOR WALL MOUNTED LIGHT FIXTURES USING APPROVED FIXTURE SUBMITTALS.
CALCULATE PENDANT LENGTH FOR HANGING LIGHTING FIXTURES USING APPROVED FIXTURE SUBMITTALS.
MOUNTING HEIGHTS SHOWN ON THE PLANS, IN ROOM KEYS, OR DEVICE TAGS TAKE PRECEDENCE OVER THE ABOVE.



ENLARGED KITCHEN PLAN
SCALE: 1/4" = 1'-0"
0 1 2 4 8 10
NORTH



**ORCHARD MESA
FIRE STATION #4**

GRAND JUNCTION, COLORADO

**LIGHTNING
PROTECTION /
ROOF PLAN**

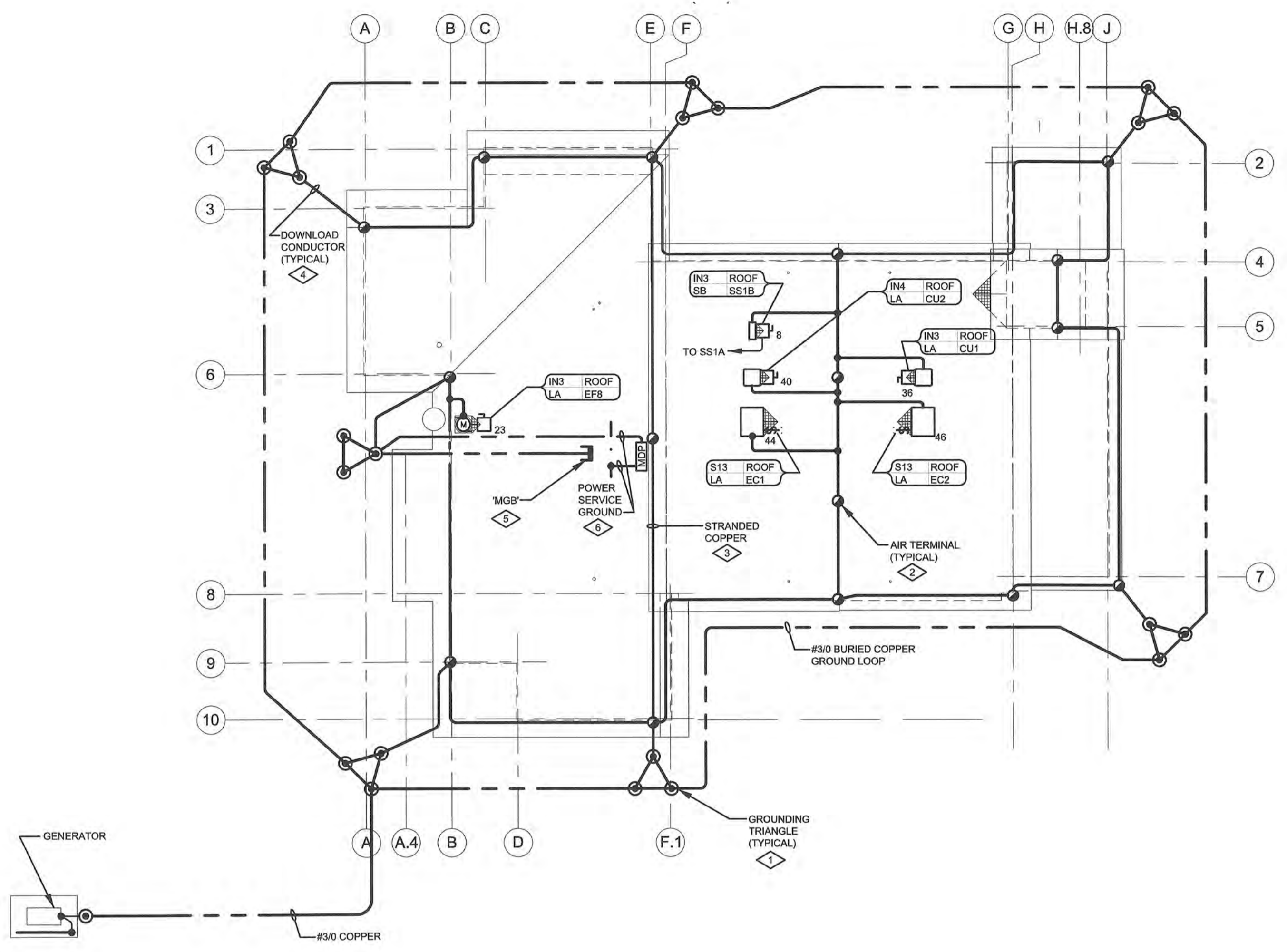
NO: ISSUED FOR: DATE:

PROJECT STATUS: 100% CD

DRAWN BY: KLT CHECKED BY: WLM

DATE: 04/10/2015 SHEET NO:

PROJECT NO: 1443/140330 **E302**

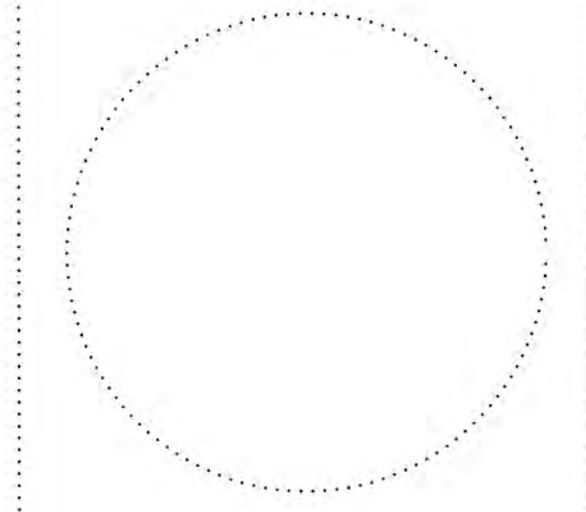


LIGHTNING PROTECTION / ROOF PLAN
SCALE: 1/16" = 1'-0"
0 4 8 16 32 40
NORTH

- LIGHTNING PROTECTION NOTES:**
- PROVIDE LIGHTNING PROTECTION AND GROUNDING PER NFPA 780, AND IN ACCORDANCE WITH THESE SPECIFICATIONS AND PER MOTOROLA R56- STANDARDS AND GUIDELINES FOR COMMUNICATIONS SITES. WORK SHALL BE SUBCONTRACTED TO A NATIONAL LIGHTNING PROTECTION DESIGN BUILD VENDOR.
 - GROUND RODS TO BE DRIVEN BY HAND SLEDGINGS, SLIDE HAMMER, OR POWER DRIVER TO THE RING WIRE DEPTH, UTILIZING A GROUND ROD DRIVING SHIELD TO PREVENT MUSHROOMING OF THE TOPS OF THE RODS.
 - WHERE GROUND RODS CANNOT BE DRIVEN VERTICALLY, DRIVE PARALLEL TO OR AWAY FROM EXTERIOR WALL, ANGLE SHALL NOT EXCEED 45°.
 - GROUND RODS ARE TO BE DRIVEN IN UNDISTURBED OR THOROUGHLY COMPACTED FILL AREAS.
 - DO NOT DRIVE OR LAY RODS IN GRAVEL BEDS WHICH ARE USED FOR DRAINAGE, UNLESS THE RODS EXTEND THROUGH SUCH BEDS FAR ENOUGH TO PROVIDE AT LEAST 8'-0" OF CONTACT WITH THE UNDISTURBED EARTH UNDERNEATH.
 - BEFORE BACK FILLING THE GROUNDING ELECTRODE SYSTEM, AN ELECTRICAL CONTINUITY CHECK SHALL BE MADE AT THIS TIME TO ENSURE THAT ALL CONNECTIONS ARE INTACT. A WRITTEN RECORD OF THIS CHECK, WITH PHOTOS, SHALL BE PLACED IN THE OFFICE RECORDS FOR FUTURE REFERENCE.
 - AFTER BACK FILLING AND COMPACTING, AN EARTH RESISTIVITY MEASUREMENT SHALL BE MADE ON THE EXTERIOR GROUND RING SYSTEM PRIOR TO CONNECTION TO THE BUILDING GROUND SYSTEM. THE READING SHALL BE 5 OHMS OR LESS AND BE INCLUDED IN THE OFFICE RECORDS FOR FUTURE REFERENCE.
 - ALL GROUNDING CABLE IN CONCRETE OR THROUGH WALLS SHALL BE IN 1" PVC CONDUIT. NO METALLIC CONDUIT SHALL BE USED FOR GROUNDING CONDUCTOR SLEEVES.
 - ALL REINFORCING STEEL AND ALL OTHER EMBEDDED METALLIC ITEMS SHALL BE GROUNDING PER THE NEC AND ALL LOCAL ELECTRICAL CODES.
 - WHERE MECHANICAL CONNECTORS (TWO HOLE OR CLAMP) ARE USED, APPLY A LIBERAL PROTECTIVE COATING OF AN ANTI-OXIDE COMPOUND SUCH AS "ZNO OXIDE A" BY DEARBORN CHEMICAL COMPANY ON ALL CONNECTORS. PROVIDE LOCK WASHERS ON ALL MECHANICAL CONNECTORS. USE STAINLESS STEEL HARDWARE THROUGHOUT. THOROUGHLY REMOVE ALL PAINT AND CLEAN ALL DIRT FROM SURFACES REQUIRING GROUND CONNECTIONS, REPAINT TO MATCH EXISTING AFTER CONNECTION IS MADE TO MAINTAIN CORROSION RESISTANCE. ALL GROUND CONNECTIONS SHALL BE APPROVED FOR THE TYPES OF METALS BEING ATTACHED TO.
 - FINISH AND INSTALL ALL MATERIALS AND LABOR REQUIRED TO PROVIDE A COMPLETE FUNCTIONAL LIGHTNING PROTECTION AND COMMON GROUND SYSTEM FOR THE BUILDING AS SHOWN AND DETAILED ON THE PLANS.
 - ALL MATERIALS FOR THIS SYSTEM SHALL BE NEW AND THE STANDARD PRODUCT OF A MANUFACTURER REGULARLY ENGAGED IN THE PRODUCTION OF LIGHTNING PROTECTION SYSTEMS AND SHALL BE OF THE LATEST APPROVED DESIGNS. EQUIPMENT SHALL BE UL LISTED.
 - SYSTEM MATERIALS IN GENERAL SHALL BE COPPER AND HIGH COPPER-CONTENT BRONZE CASTINGS, AND SHALL COMPLY IN WEIGHT, SIZE, AND COMPOSITION FOR THE CLASS OF STRUCTURE TO BE PROTECTED. THE SYSTEM SHALL CONSIST OF ALL NECESSARY CABLES, AIR TERMINALS, MOUNTING BASES, FITTINGS, COUPLINGS, CONNECTORS, FASTENERS, ETC., AS REQUIRED TO GIVE A COMPLETE AND COORDINATED SYSTEM. ALL CABLE AND ALL AIR TERMINALS SHALL BEAR PROPER UL LABELS.
 - ALL SYSTEM FITTINGS EXCEPT CABLE HOLDERS, REGARDLESS OF STRUCTURE CLASSIFICATION SHALL BE HEAVY-DUTY TYPE MADE FROM BRONZE CASTINGS AND SECURED WITH BOLTED-PRESSURE CLAMPS, PRESSURE PLATES MADE FROM STAMPED OR PRESSED METAL PARTS, OR FITTINGS UTILIZING CRIMP-TYPE PRESSURE DEVICES WILL NOT BE ALLOWED. ALL BOLTS, SCREWS AND RELATED TYPE HARDWARE SHALL BE 300 SERIES STAINLESS STEEL. ALL CABLE TO CABLE, CABLE TO LUG, CABLE TO GROUND ROD, AND CABLE TO STRUCTURAL STEEL CONNECTIONS SHALL BE EXOTHERMICALLY WELDED OR ACCEPTED EQUIVALENT. CONTRACTOR SHALL NOTIFY ENGINEER WHERE CONNECTIONS CANNOT BE USED.
 - A COMMON GROUND SHALL BE PROVIDED BETWEEN THE LIGHTNING PROTECTION SYSTEM AND THE BUILDING ELECTRIC AND TELEPHONE SERVICE GROUNDS. IN ADDITION, ALL UNDERGROUND METALLIC PIPING SYSTEMS SHALL BE BONDED WITH FULL SIZE CONDUCTOR, INCLUDING WATER, GAS, SEWER, AND ANY OTHER PIPING SYSTEM, AT POINTS WHERE THESE PIPINGS ENTER THE BUILDING. BONDING OF UTILITY PIPING SYSTEMS IS SUBJECT TO THEIR COOPERATION AND APPROVAL.
 - BONDING OF ALL METALLIC OBJECTS AND SYSTEMS AT ROOF LEVELS AND ELSEWHERE ON THE STRUCTURE SHALL BE COMPLETE. PRIMARY BONDS FOR METAL BODIES OF CONDUCTANCE SHALL BE BONDED WITH APPROPRIATE FITTINGS AND FULL-SIZE CONDUCTOR; AND SHALL CONSIST OF, BUT NOT BE LIMITED TO, THE FOLLOWING: ROOF EXHAUST FAN, ETC. EXTERIOR ARCHITECTURAL METAL ASCIA AND/OR CURTAIN WALLS OR MULLIONS, WHICH EXTEND THE FULL HEIGHT OF THE STRUCTURE SHALL ALSO BE BONDED, IF NOT INHERENTLY BONDED THROUGH THE BUILDING FRAME.

- NOTES REFERENCED ON THE PLANS:**
- PROVIDE 5/8" X 10'-0" COPPER CLAD GROUND RODS AT LOCATIONS SHOWN. INSTALL GROUND RODS IN A TRIANGULAR CONFIGURATION 8'-0" ON A SIDE.
 - PROVIDE AIR TERMINAL ON ROOF AS INDICATED. AIR TERMINALS SHALL BE SOLID, 5/8" DIAMETER ROUND COPPER BAR, FULL NICKEL PLATED, AND OF SUFFICIENT LENGTH TO PROJECT 10" MINIMUM ABOVE THE OBJECT TO BE PROTECTED, AND UL LABELED. SPACING SHALL NOT EXCEED 20'-0" BETWEEN TERMINALS ALONG PEAKS. PROVIDE MASTIC COMPATIBLE WITH ROOF AND ALL NECESSARY HARDWARE TO SECURELY MOUNT AIR TERMINALS IN A PERMANENT AND RIGID MANNER. COORDINATE WITH ROOF INSTALLER FOR PROVIDING AN ADDITIONAL 12" X 12" PIECE OF ROOF MEMBRANE AT EACH TERMINAL LOCATION. DO NOT PENETRATE ROOF MEMBRANE.
 - PROVIDE IPC#32S STRANDED COPPER, OR APPROVED EQUIVALENT, SIZED BY THE LIGHTNING PROTECTION DESIGN VENDOR FOR INTERCONNECTING CONDUCTORS. ROUTE ALONG ROOF BETWEEN TERMINALS AS INDICATED. SECURE CONDUCTORS TO ROOF WITH APPROVED FASTENERS, SPACED 3'-0" MAXIMUM. COORDINATE WITH ROOF INSTALLER FOR PROVIDING AN ADDITIONAL 6" X 6" PIECE OF MEMBRANE AT EACH ROOF ATTACHMENT LOCATION. DO NOT PENETRATE ROOF MEMBRANE. TYPICAL FOR ALL INTERCONNECTING CONDUCTORS.
 - PROVIDE DOWNLEAD CONDUCTOR TO CONNECT LIGHTNING PROTECTION SYSTEM TO GROUND LOOP. CONCEAL CONDUCTOR IN STRUCTURE. ROUTE CONDUCTOR DOWN CORNERS OF BUILDING IN LOCATIONS SHOWN. COORDINATE DETAILS WITH ARCHITECTURAL AND STRUCTURAL ENGINEER. PROVIDE EXOTHERMIC WELD AT CONNECTION TO BURIED GROUND ROD.
 - PROVIDE COPPER MASTER GROUND BAR (MGB) IN IT ROOM ON WEST WALL. *MGB* SHALL BE 2" TALL X 1/4" THICK X 2'-0" LONG COPPER MOUNTED TO THE WALL ON STAND OFFS 24" ABOVE THE FLOOR.
 - BOND POWER SERVICE TO GROUND LOOP USING #2/0 COPPER CONDUCTOR. BOND POWER SERVICE TO REINFORCING STEEL IN FOUNDATION USING #2/0 COPPER CONDUCTOR.

SITE LIGHTING SCHEDULE									
LIGHTING FIXTURE DESIGNATION DESCRIPTION DIMENSIONS	MANUFACTURER CATALOG # FIRST HALF CATALOG # SECOND HALF APPROVED ALTERNATES HOUSING MATERIAL	MOUNTING AIMING DIFFUSER REFLECTOR HOUSING FINISH	LAMP		BALLAST / DRIVER TYPE 1		BALLAST / DRIVER TYPE 2		DESCRIPTION
			QUANTITY - TYPE MANUFACTURER CATALOG NUMBER	LUMENS COLOR TEMPERATURE LAMP LIFE	QUANTITY - TYPE MANUFACTURER CATALOG NUMBER	STARTING METHOD MIN START TEMP	BALLAST FACTOR HARMONICS	QUANTITY - TYPE MANUFACTURER CATALOG NUMBER	
LF1 L.E.D. FLOOD LIGHT 3.14" H X 8.8" W X 24.8" L	HUBBELL AFL-12LU-5K-BZ LITHONIA, METALLUX CAST ALUMINUM	GROUND ADJUSTABLE TEMPERED GLASS DARK BRONZE	1 - 22 WATT LED ARRAY SELECTED BY FIXTURE MANUFACTURER SELECTED BY FIXTURE MANUFACTURER	1000 L 5100 DEG K >=82 >=50,000 HOURS	1 - STANDARD LED DRIVER SELECTED BY FIXTURE MANUFACTURER SELECTED BY FIXTURE MANUFACTURER	INSTANT >=1.00 0 DEG F <=20%	SECOND BALLAST / DRIVER TYPE NOT REQUIRED ---	---	LF1: L.E.D. FLOOD LIGHT 120 V 22 W ENVIRONMENT: -20F TO 120 DEG F & WET.
ME2 METAL HALIDE: CUT-OFF 22" H X 25" W X 25" L X 25" DIA	KIM 1A RA252 250PMH BL HA12 L-TM1 CAL16-641188 BL-P ANTIQUE ST LIGHT, AAL ALUMINUM	16" POLE CUT-OFF HYDRORFORMED BLACK	1 - 250 W CLEAR PULSE START G.E. MXR/250/U/ME	13300 L 3900 DEG K >=60 >=12,000 HOURS	1 - H.I.D.: CORE & COIL PULSE START SELECTED BY FIXTURE MANUFACTURER	PULSE >=80 -20 DEG F <=20%	SECOND BALLAST / DRIVER TYPE NOT REQUIRED ---	---	ME2: METAL HALIDE: CUT-OFF 208 V 290W W ENVIRONMENT: -20F TO 120 DEG F & WET. PROVIDE STEPPED ALUMINUM 16" POLE AND BRACKET ARM. PROVIDE TYPE II DISTRIBUTION.
ME3 METAL HALIDE: CUT OFF 22" H X 25" W X 25" L X 25" DIA	KIM 1A RA254 250PMH BL HA12 L-TM1 CAL16-641188 BL-P ANTIQUE ST LIGHT, AAL ALUMINUM	16" POLE CUT-OFF HYDRORFORMED BLACK	1 - 250 W CLEAR PULSE START G.E. MXR/250/U/ME	13300 L 3900 DEG K >=60 >=12,000 HOURS	1 - H.I.D.: CORE & COIL PULSE START SELECTED BY FIXTURE MANUFACTURER	PULSE >=80 -20 DEG F <=20%	SECOND BALLAST / DRIVER TYPE NOT REQUIRED ---	---	ME3: METAL HALIDE: CUT OFF 208 V 290W W ENVIRONMENT: -20F TO 120 DEG F & WET. PROVIDE 16" STEPPED ALUMINUM 16" POLE AND BRACKET ARM. PROVIDE TYPE IV DISTRIBUTION.
ME4 METAL HALIDE: CUT OFF 16.5" H X 17" W X 17" L X 17" DIA	KIM 1A RA172 150PMH BL HA12 S-TM1 CAS16-534188 BL-P ANTIQUE ST LIGHT, AAL ALUMINUM	16" POLE CUT-OFF HYDRORFORMED BLACK	1 - 150 W CLEAR PULSE START G.E. MXR/150/U/ME	13300 L 3400 DEG K >=65 >=15,000 HOURS	1 - H.I.D.: CORE & COIL PULSE START SELECTED BY FIXTURE MANUFACTURER	PULSE >=80 -20 DEG F <=20%	SECOND BALLAST / DRIVER TYPE NOT REQUIRED ---	---	ME4: METAL HALIDE: CUT OFF 208 V 185W W ENVIRONMENT: -20F TO 120 DEG F & WET. PROVIDE 6" STEPPED ALUMINUM 16" POLE AND BRACKET ARM. PROVIDE TYPE II DISTRIBUTION.
MG1 METAL HALIDE: FLOODLIGHT 20" H X 12" W X 12" L	HYDREL M9720 SS 150M *** SP FLD 12S GARDCO, SPALDING CAST ALUMINUM	GROUND ADJUSTABLE CLEAR HYDRORFORMED NATURAL ALUMINUM	1 - 150W CLEAR PULSE START G.E. MXR/150/U/ME	13300 L 3200 DEG K >=70 >=12,000 HOURS	1 - H.I.D.: ELECTRONIC PULSE START ADVANCE LZTEM70EPS-F	PULSE >=1.00 -20 DEG F <=20%	SECOND BALLAST / DRIVER TYPE NOT REQUIRED ---	---	MG1: METAL HALIDE: FLOODLIGHT 120 V 210 W ENVIRONMENT: -20F TO 120 DEG F & WET. IN GRADE ADJUSTABLE FLOOD LIGHT.



**ORCHARD MESA
FIRE STATION #4**

GRAND JUNCTION, COLORADO

SYSTEMS PLAN

NO: ISSUED FOR: DATE:

PROJECT STATUS: 100% CD

DRAWN BY: KLT CHECKED BY: WLM

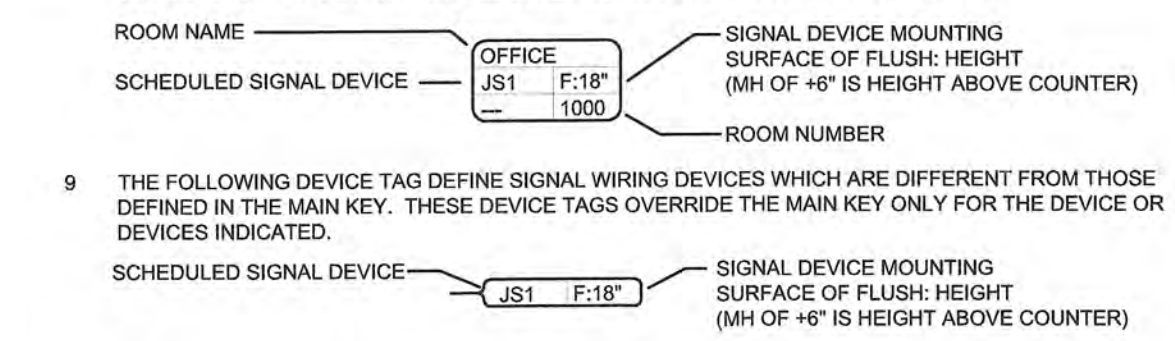
DATE: 04/10/2015 SHEET NO:

PROJECT NO: 1443/140330 **E401**

©2015 Chamberlin Architects

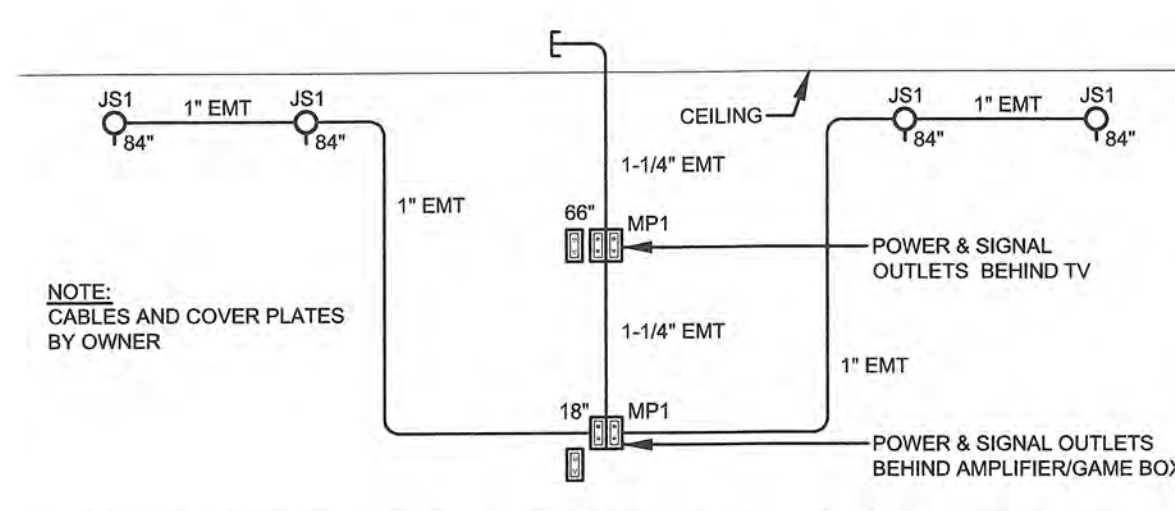
GENERAL SYSTEMS NOTES:

- LOW VOLTAGE SIGNAL WIRING MAY BE RUN OPEN ABOVE ACCESSIBLE SUSPENDED CEILINGS. ALL WIRING RUN OPEN IN ACCESSIBLE CEILING SPACES USED FOR AIR RETURN SHALL BE PLENUM RATED.
- WIRING INSTALLED IN WALLS AND ABOVE INACCESSIBLE CEILINGS SHALL BE RUN IN CONDUIT.
- REVIEW CASEWORK ELEVATIONS ON ARCHITECTURAL DRAWINGS AND CASEWORK SHOP DRAWINGS PRIOR TO INSTALLATION OF WIRING DEVICES. CALL ANY DISCREPANCIES TO THE ATTENTION OF THE ENGINEER. WHERE DEVICES WOULD FALL BEHIND CASEWORK, RELOCATE DEVICES 2" CLEAR OF BACKSPLASH, OR COUNTER.
- DEVICE MOUNTING HEIGHTS SHOWN ON THE PLANS TAKE PRECEDENCE OVER DEFAULT MOUNTING HEIGHTS SHOWN IN THE LEGEND.
- ALL WIRING DEVICES ARE TO BE INSTALLED FLUSH UNLESS OTHERWISE INDICATED.
- THE MOUNTING HEIGHT OF SIGNAL WIRING DEVICES IS DEFINED AS THE DISTANCE FROM THE FINISHED FLOOR TO THE CENTER OF THE DEVICE BOX.
- PROVIDE FAR SIDE BOX SUPPORTS ON ALL BOXES MOUNTED TO STEEL STUDS. THE DEPTH OF THE MUD RINGS SHALL BE NO LESS THAN THE THICKNESS OF THE SHEETROCK.
- THE FOLLOWING MAIN KEY DEFINES SIGNAL WIRING DEVICES IN THE ROOM LISTED. ALL DEVICES IN THIS SPACE ARE TO COMPLY WITH THIS MAIN KEY UNLESS OVERRIDDEN BY A DEVICE TAG.



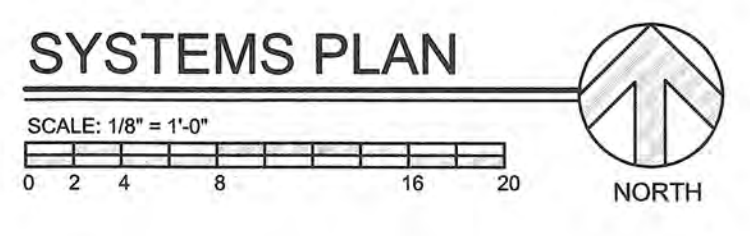
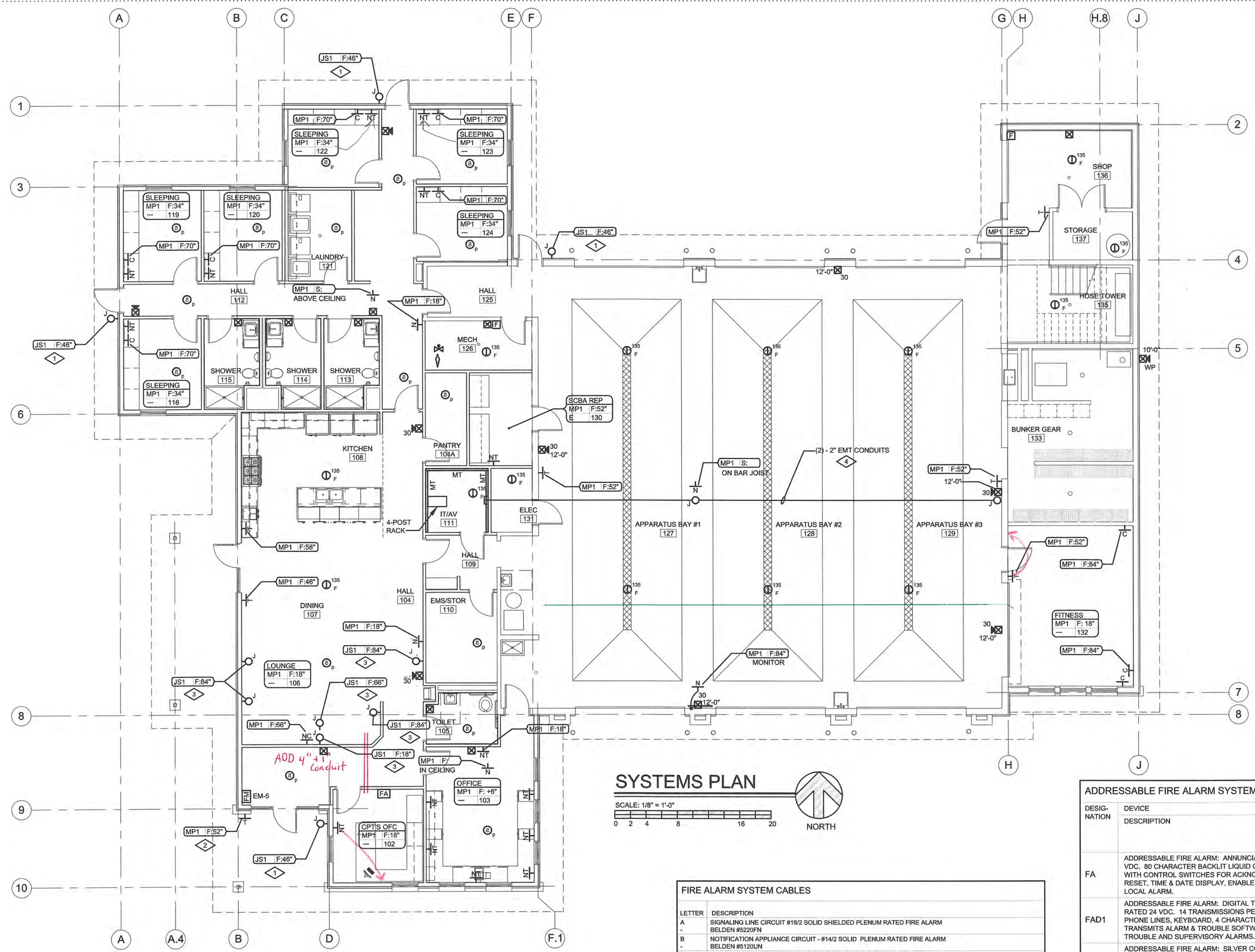
NOTES REFERENCED ON THE PLANS:

- ROUGH-IN FOR DOOR ACCESS CONTROL CARD READER.
- PROVIDE FLUSH SIGNAL BOX AND 1" EMT TO SPACE ABOVE THE LOBBY CEILING FOR OWNER'S TELEPHONE INTERCOM.
- PROVIDE JUNCTION BOX AND EMPTY 1" CONDUIT WITH PULL STRINGS BETWEEN ALL JUNCTION BOXES FOR FUTURE SURROUND SOUND SYSTEM.
- PROVIDE TWO 2" EMT CONDUITS FROM THE IT ROOM TO TWO 6"x12"x12" PULL BOXES ON THE UNDER SIDE OF THE ROOF TRUSSES IN BUNKER GEAR #133 FOR NETWORK, TELEPHONE AND ALARMING CABLES.



TV/SURROUND SOUND-LOUNGE 106

NO SCALE

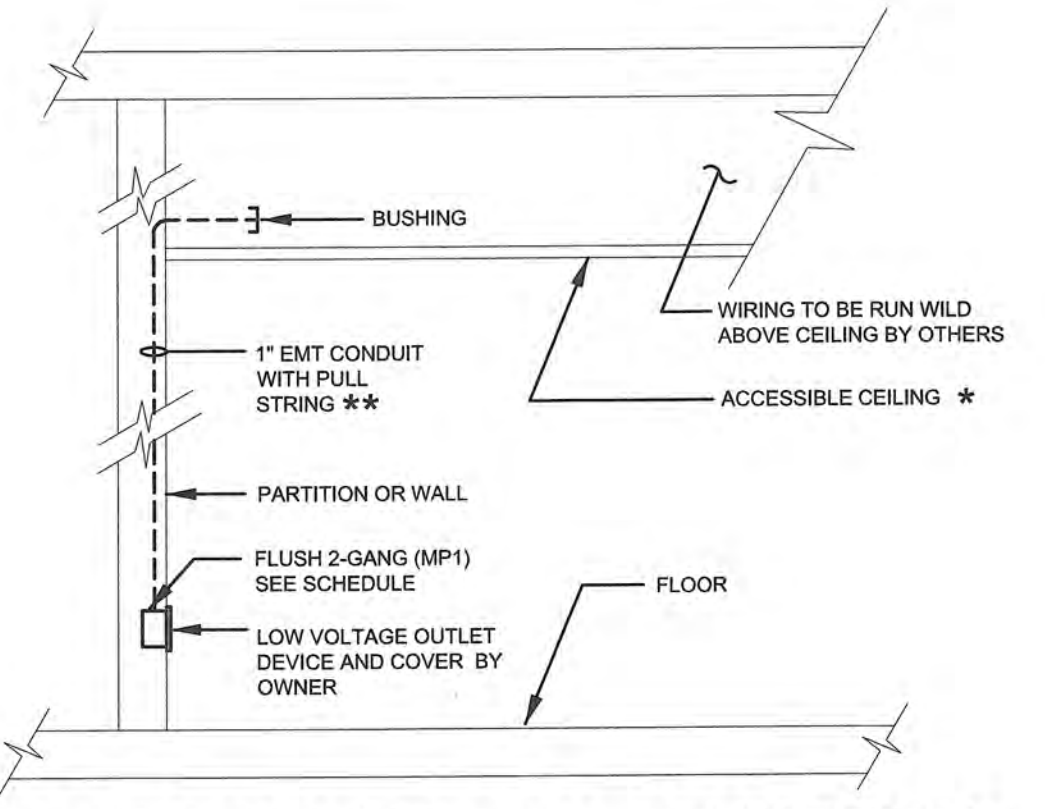


FIRE ALARM SYSTEM CABLES

LETTER	DESCRIPTION
A	SIGNALING LINE CIRCUIT - #18/2 SOLID SHIELDED PLENUM RATED FIRE ALARM BELDEN #5220FN
B	NOTIFICATION APPLIANCE CIRCUIT - #14/2 SOLID PLENUM RATED FIRE ALARM BELDEN #5120UN
C	120 VOLT POWER CIRCUIT - 1/2 EMT 2 #12 & #12 GROUND COPPER SOUTH WIRE BUILDING WIRE
D	24 VOLT POWER CABLE - #16/2 SOLID PLENUM RATED FIRE ALARM BELDEN #5220UN
H	ANNUNCIATOR CABLE - 2 #16/2 SOLID SHIELDED AND 1 #16/2 SOLID UNSHIELDED PLENUM RATED FIRE ALARM TWO BELDEN #5220FN & ONE BELDEN #5220UN
L	DIALER CIRCUIT - 4 PAIR CATEGORY 5 CABLE BELDEN #1624P
M	REMOTE TEST CIRCUIT - 18/4 SOLID PLENUM RATED FIRE ALARM BELDEN #5320UN

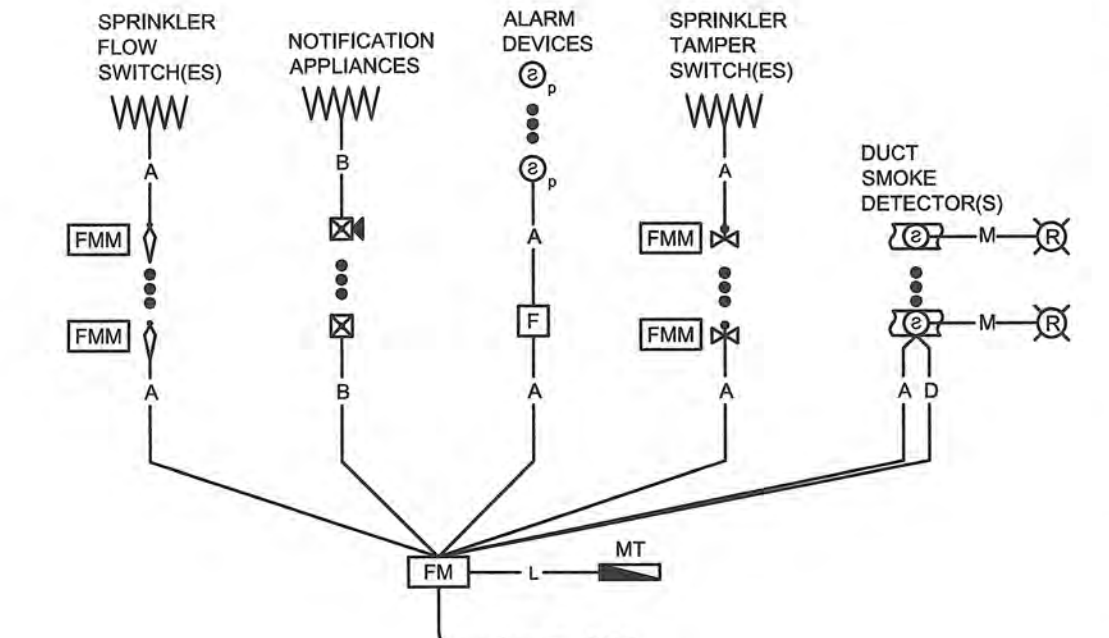
FIRE ALARM SYSTEM SEQUENCE OF OPERATION

SYSTEM ACTIONS	SMOKE DETECTOR	HEAT DETECTOR	DUCT SMOKE DETECTOR	FULL STATION	SPRINKLER FLOW SWITCH	SPRINKLER TAMPER SWITCH
ACTIVATES SYSTEM NOTIFICATION APPLIANCES	●	●	●	●	●	●
ACTIVATES SYSTEM SUPERVISORY ALARM	●	●	●	●	●	●
DISPLAYS AT MAIN FIRE ALARM PANEL	●	●	●	●	●	●
RELEASES MAGNETICALLY HELD DOORS	●	●	●	●	●	●
SHUTS DOWN ASSOCIATED AIR HANDLING UNIT	●	●	●	●	●	●
CLOSES FIRE/SMOKE DAMPER	●	●	●	●	●	●
ACTIVATES DIALER GENERAL ALARM SIGNAL	●	●	●	●	●	●
ACTIVATES DIALER FLOW ALARM SIGNAL	●	●	●	●	●	●
ACTIVATES DIALER SUPERVISORY SIGNAL	●	●	●	●	●	●
ACTIVATES EXTERIOR HORN/STROBE ABOVE FIRE DEPARTMENT CONNECTION	●	●	●	●	●	●



SIGNAL OUTLET RACEWAY OPTIONS

- NO SCALE
- * IN CASES WHERE CEILING IS NOT ACCESSIBLE, EXTEND CONDUITS TO THE SPACE ABOVE THE NEAREST ACCESSIBLE CEILING.
 - ** PROVIDE 1-1/4" CONDUIT WHERE PLANS SHOW 4 OR MORE JACKS.



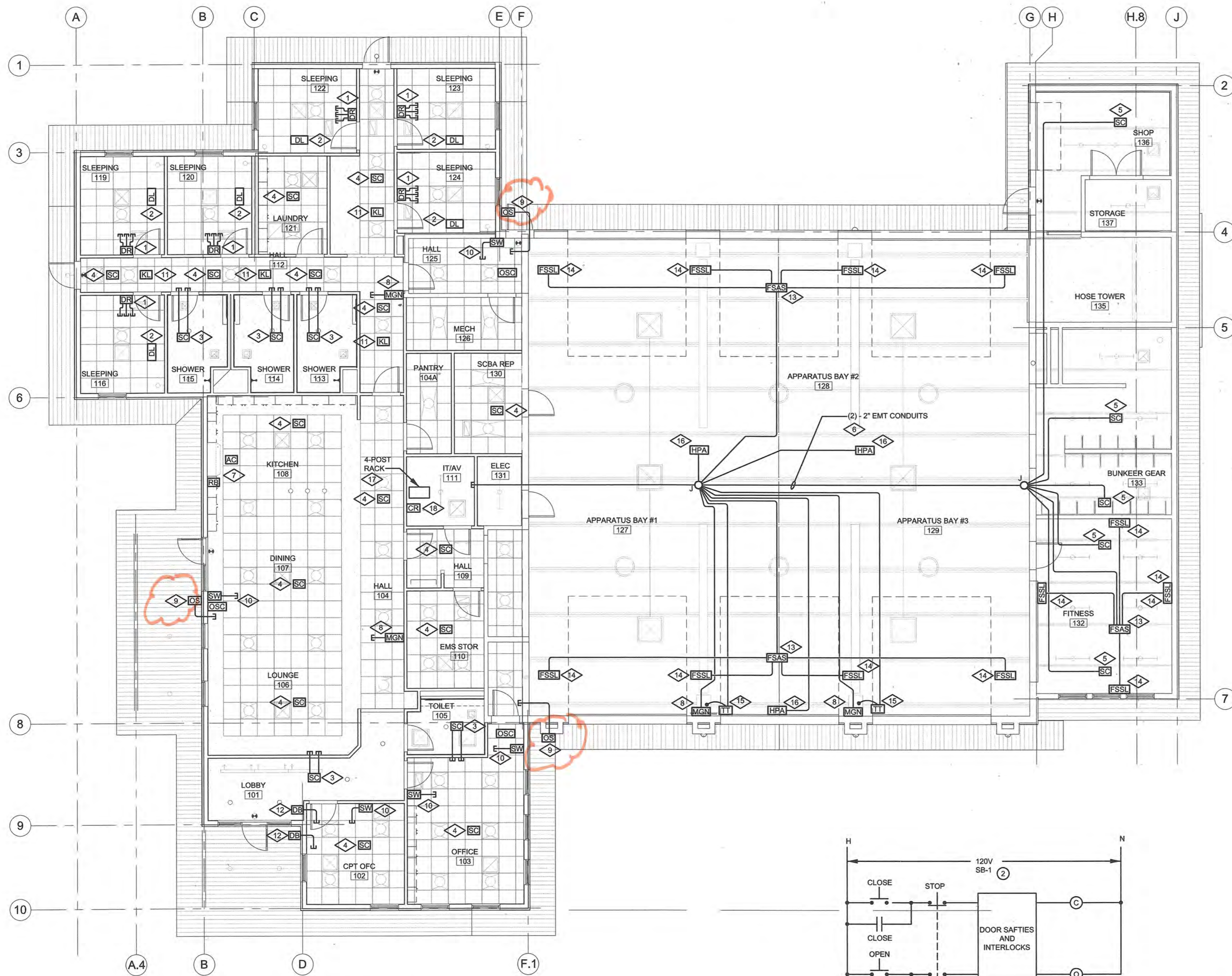
FIRE ALARM SYSTEM RISER

NO SCALE

ADDRESSABLE FIRE ALARM SYSTEM

DESIGNATION	DEVICE DESCRIPTION	MANUFACTURER CATALOG NUMBER ALTERNATE MANUFACTURERS	BOX DESCRIPTION	COVER DESCRIPTION
FA	ADDRESSABLE FIRE ALARM: ANNUNCIATOR, RATED 24 VDC. 80 CHARACTER BACKLIT LIQUID CRYSTAL DISPLAY WITH CONTROL SWITCHES FOR ACKNOWLEDGE, SILENCE AND RESET, TIME & DATE DISPLAY, ENABLE KEY SWITCH & LOCAL ALARM.	NOTIFIER LCD-80	9.9"H X 4.6"W X 2.5"D NOTIFIER AB8F-18, STEEL, WITH KNOCKOUTS, WALL FLUSH MOUNTING.	NONE REQUIRED
FAD1	ADDRESSABLE FIRE ALARM: DIGITAL TRANSMITTER, RATED 24 VDC. 14 TRANSMISSIONS PER HOUR, DUAL PHONE LINES, KEYBOARD, 4 CHARACTER LED DISPLAY. TRANSMITS ALARM & TROUBLE SOFTWARE ZONES, SYSTEM TROUBLE AND SUPERVISORY ALARMS.	NOTIFIER 411UDACT	9.9"H X 4.6"W X 2.5"D NOTIFIER AB8F-8R, STEEL, WITH KNOCKOUTS, WALL FLUSH MOUNTING.	NONE REQUIRED
FADU	ADDRESSABLE FIRE ALARM: SILVER COLOR, DUCT SMOKE DETECTOR, BUILT-IN DPDT RELAY, SAMPLE TUBE, PHOTOELECTRIC TYPE, RATED 24 VDC. PROVIDE SEPARATE REMOTE ALARM INDICATOR WITH TEST SWITCH.	NOTIFIER FSC-751RP & RTS-451	NONE REQUIRED	NONE REQUIRED
FAH1	ADDRESSABLE FIRE ALARM: HORN/STROBE, RATED 24 VDC. CANDELA OUTPUT FIELD SELECTABLE AMONG 15, 15/75, 30, 75, AND 110, FIELD SELECTABLE HORN TONES, SYNCHRONIZABLE, AND RED COLOR.	NOTIFIER P1224MC	4" SQ X 2 1/8" DEEP, STEEL, WITH KNOCKOUTS, WALL FLUSH MOUNTING.	NONE REQUIRED
F	ADDRESSABLE FIRE ALARM: PULL STATION, RATED 24 VDC. DUAL ACTION WITH BI-COLOR ALARM STATUS LED, KEY RESET, AND BRAILLE TEXT ON HANDLE.	NOTIFIER N8G-12LX	4" SQ X 2 1/8" DEEP, STEEL, WITH KNOCKOUTS, WALL FLUSH MOUNTING.	NONE REQUIRED
FMM	ADDRESSABLE FIRE ALARM: MONITOR MODULE, RATED 24 VDC. MONITORS SPRINKLER FLOW AND TAMPER SWITCHES, GENERATING AN ALARM AT THE SET ADDRESS ON DEVICE CONTACT CLOSURE. 159 ADDRESSES AVAILABLE.	NOTIFIER FMM-101	4" SQ X 2 1/8" DEEP, STEEL, WITH KNOCKOUTS, WALL FLUSH MOUNTING.	NONE REQUIRED
FM	ADDRESSABLE FIRE ALARM: MAIN PANEL, BATTERY BACKED, RATED 3A @ 120V. CAPABLE OF 301 TOTAL I/O POINTS, 99 INTELLIGENT DETECTORS, 99 ADDRESSABLE MODULES, 99 PROGRAMMABLE SOFTWARE ZONES AND 4 NAC CIRCUITS.	NOTIFIER AFP-200	16"H X 14.5"W X 5.5"D, STEEL, WITH KNOCKOUTS, WALL SURFACE MOUNTING.	NONE REQUIRED
FAS1	ADDRESSABLE FIRE ALARM: RED COLOR, STROBE, RATED 24 VDC. CANDELA OUTPUT FIELD SELECTABLE AMONG 15, 15/75, 30, 75, AND 110, FIELD SELECTABLE.	NOTIFIER S1224MC	4" SQ X 2 1/8" DEEP, STEEL, WITH KNOCKOUTS, WALL FLUSH MOUNTING.	NONE REQUIRED
FASP	ADDRESSABLE FIRE ALARM: SMOKE DETECTOR, RATED 24 VDC. LASER DEVICE, WITH 2 LED ALARM STATE INDICATORS, BUILT-IN MAGNETIC TEST SWITCH, HIGH SENSITIVITY.	NOTIFIER LPX751L + P710P BASE	4" SQ X 2 1/8" DEEP, STEEL, WITH KNOCKOUTS, WALL FLUSH MOUNTING.	NONE REQUIRED
FAT1	ADDRESSABLE FIRE ALARM: RED COLOR, HEAT DETECTOR, RATED 24 VDC. 135 DEGREE F FIXED TEMPERATURE/RATE OF RISE.	NOTIFIER FST-851R B710LPBP BASE	4" SQ X 2 1/8" DEEP, STEEL, WITH KNOCKOUTS, WALL FLUSH MOUNTING.	NONE REQUIRED
FAT2	ADDRESSABLE FIRE ALARM: RED COLOR, HEAT DETECTOR, RATED 24 VDC. 200 DEGREE F FIXED TEMPERATURE/RATE OF RISE.	NOTIFIER FST-851H B710LPBP BASE	4" SQ X 2 1/8" DEEP, STEEL, WITH KNOCKOUTS, WALL FLUSH MOUNTING.	NONE REQUIRED

NOTES: DEVICES BY MANUFACTURERS WHICH ARE NOT LISTED IN THE SCHEDULE REQUIRE 5-DAY WRITTEN PRIOR APPROVAL.



ALERTING SYSTEM PLAN

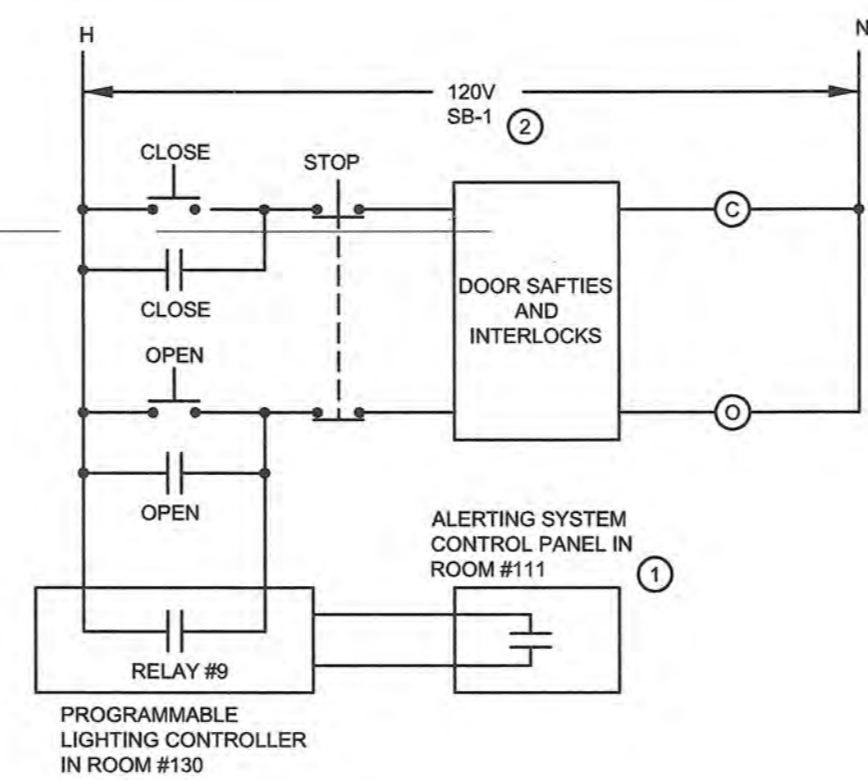
SCALE: 1/8" = 1'-0"
 0 2 4 8 16 20



BAY DOOR OPERATOR - WIRING DIAGRAM (DO-1)

NO SCALE

- ① DOOR OPERATORS IN FRONT OF APPARATUS BAYS ARE TO BE OPENED BY THE ALERTING SYSTEM WHEN A CALL COMES IN. REAR DOORS ARE NOT TO BE OPENED BY THE ALERTING SYSTEM.
- ② REMAINING DOORS TO BE WIRED THROUGH SB-3-RELAY #9 AND SB-5-RELAY #10.



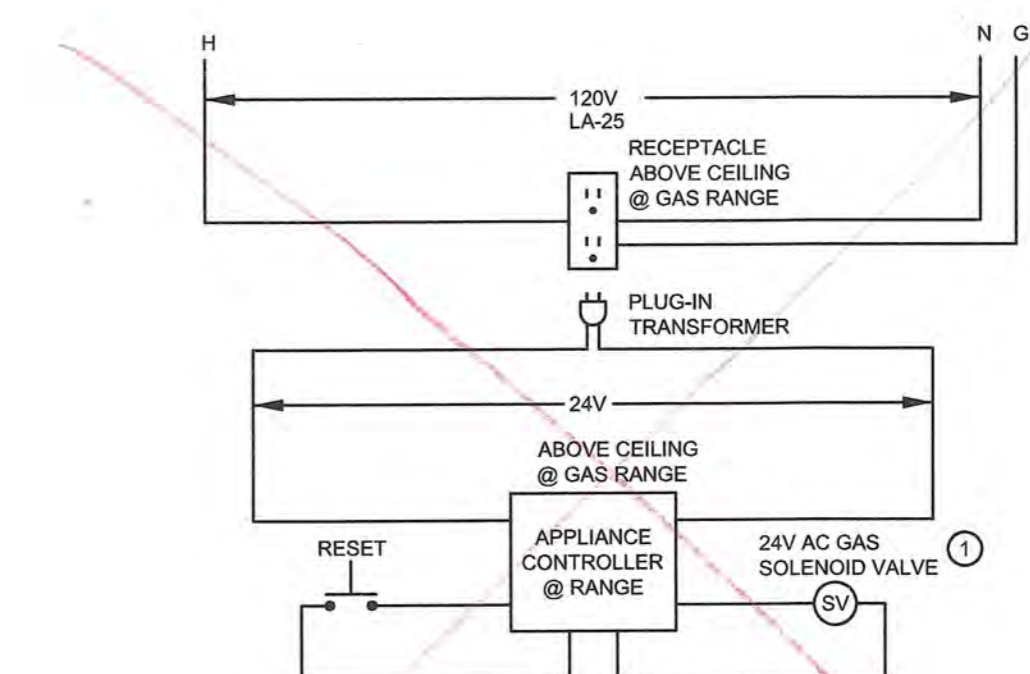
NOTES REFERENCED ON THE PLANS:

- ① DORM REMOTE (DR): RECEIVE HOFFMAN BOX - PART 43050 CAT #A-SE10X8X4 FROM WESTNET. MOUNT CENTER LINE OF BOX AT 48" AFF. CENTER BOX ON HEADBOARD OF BED. RECESS IN WALL 1/4" BELOW SHEETROCK. PROVIDE 3 - 3/4" EMT CONDUITS TO THE SPACE ABOVE THE ACCESSIBLE CEILING WITH BUSHINGS AND PULL STRINGS. WIRING SHALL BE DONE BY WESTNET.
- ② DORM LIGHT (DL): NO WORK BY ELECTRICAL SUB. LIGHT IS LINE POWERED THROUGH CAT 5 CABLE. WIRING BY WESTNET.
- ③ SATELLITE CONTROLLER (SC): RECEIVE HOFFMAN BOX - PART 43050 CAT #A-SE10X8X4 FROM WESTNET. RECESS IN CEILING 1/4" ABOVE SHEETROCK. PROVIDE 2 - 3/4" EMT CONDUITS TO THE SPACE ABOVE THE ACCESSIBLE CEILING WITH BUSHINGS AND PULL STRINGS. WIRING SHALL BE DONE BY WESTNET.
- ④ SATELLITE CONTROLLER (SC): BOX AND RACEWAYS NOT REQUIRED FOR ACCESSIBLE CEILING INSTALLATION. WIRING SHALL BE DONE BY WESTNET.
- ⑤ SATELLITE CONTROLLER (SC): RECEIVE HOFFMAN BOX - PART 43050 CAT #A-SE10X8X4 FROM WESTNET. MOUNT BOX ON UNDERSIDE OF TRUSS OR BAR JOIST. PROVIDE 1" EMT CONDUIT TO THE SIGNAL JUNCTION BOX AT THE CEILING OF BUNKER GEAR ROOM #133. WIRING SHALL BE DONE BY WESTNET.
- ⑥ PROVIDE TWO 2" EMT CONDUITS FROM THE IT ROOM TO A 6" X 12" X 12" JUNCTION BOX ON THE UNDER SIDE OF THE ROOF TRUSSES IN BUNKER GEAR #133 FOR NETWORK, TELEPHONE AND ALARMING CABLES.
- ⑦ APPLIANCE CONTROLLER (AC) - RESET BUTTON (RB): THE APPLIANCE CONTROLLER IS TO BE MOUNTED ABOVE THE CEILING. PROVIDE RECEPTACLE ABOVE THE CEILING FOR POWER. THE RESET BUTTON IS TO BE MOUNTED IN A SINGLE GANG DEEP BOX AT 48" AFF. PROVIDE 1" CONDUIT TO THE SPACE ABOVE THE CEILING. SEE GAS SOLENOID WIRING DIAGRAM ON THIS SHEET. SOLENOID VALVE WIRING SHALL BE DONE BY THE ELECTRICAL SUB-CONTRACTOR.
- ⑧ VIDEO MESSENGER (MGN): PROVIDE A SINGLE GANG DEEP BOX AT 24" AFF. PROVIDE A 1" CONDUIT TO THE SPACE ABOVE THE ACCESSIBLE CEILING. WIRING TO BE DONE BY WESTNET.
- ⑨ OUTSIDE SPEAKER (OS): *12"0 Per RFI #28* PROVIDE A SINGLE GANG DEEP BOX AT 48" AFF. PROVIDE A 3/4" CONDUIT TO THE OUTSIDE SATELLITE CONTROLLER (OSC) ABOVE THE ACCESSIBLE CEILING.
- ⑩ SPEAKER SWITCH (SW): PROVIDE A SINGLE GANG DEEP BOX AT 48" AFF. PROVIDE A 3/4" CONDUIT TO THE OUTSIDE SATELLITE CONTROLLER (OSC) ABOVE THE ACCESSIBLE CEILING.
- ⑪ KNIGHT LIGHT (KL): PROVIDE A SINGLE GANG DEEP BOX FLUSH WITH CEILING. DEVICE, TRIM AND WIRING BY WESTNET.
- ⑫ DOOR BELL (DB) - EMERGENCY BUTTON (EB): PROVIDE A SINGLE GANG DEEP BOX AT 48" AFF. PROVIDE A 3/4" CONDUIT TO THE SPACE ABOVE THE ACCESSIBLE CEILING. DEVICE, TRIM AND WIRING BY WESTNET.
- ⑬ ALERTING SYSTEM STROBE (FSAS): RECEIVE HOFFMAN BOX PART #55741, CAT #A-SE8X8X4. MOUNT ON UNDERSIDE OF TRUSS OR BAR JOIST. PROVIDE 3/4" EMT CONDUIT TO JUNCTION BOX AT CEILING OF APPARATUS BAY. WIRING TO BE DONE BY WESTNET.
- ⑭ FS STROBE LIGHT (FSSL): RECEIVE CUSTOM BACK BOX FROM WESTNET. MOUNT BOX VERTICALLY IN WALL WITH TOP AT 6'-0" AFF. PROVIDE 3/4" EMT CONDUIT TO ALERTING SYSTEM STROBE (FSAS).
- ⑮ TURN-OUT TIMER (TT): PROVIDE A 4" SQUARE SINGLE GANG BOX MOUNTED AT 10'-0" AFF. PROVIDE 3/4" EMT CONDUIT TO JUNCTION BOX AT CEILING OF APPARATUS BAY.
- ⑯ HIGH POWER PAGING AMPLIFIER & SPEAKER (HPA): PROVIDE A 4" SQUARE SINGLE GANG BOX MOUNTED ON THE UNDERSIDE OF THE TRUSS OR BAR JOIST. PROVIDE A 3/4" EMT CONDUIT TO JUNCTION BOX AT CEILING OF APPARATUS BAY.
- ⑰ 4-POST RACK: ALERTING SYSTEM UPS (4) TO BE MOUNTED IN 4-POST EQUIPMENT RACK. ALERTING SYSTEM MASTER CONTROL UNIT TO BE MOUNTED IN 4-POST EQUIPMENT RACK.
- ⑱ CONTROL REMOTE (CR): RECEIVE 12"X18"X6" HINGED COVER JUNCTION BOX FROM WESTNET. MOUNT ON WALL AT 48" AFF. CONTROL REMOTE CONTAINS 24V RELAYS FOR CONTROL OF ELECTRICAL DEVICES IN THE BUILDING SUCH AS THE GAS RANGE CONTROL CIRCUIT.

GAS RANGE CONTROL WIRING DIAGRAM

NO SCALE

- ① CONTROL CIRCUIT FOR GAS RANGE TO BE DE-ENERGIZED BY ALERTING SYSTEM WHEN FIREMEN ARE ON A CALL.



GAS SOLENOID VALVE WIRING DIAGRAM

NO SCALE

- ① GAS SOLENOID VALVE TO BE DE-ENERGIZED (CLOSED) BY ALERTING SYSTEM WHEN FIREMEN ARE ON A CALL.

CHAMBERLIN ARCHITECTS
 437 Main St.
 Grand Junction, Colorado 81501
 T 970.242.6804
 725 Saint Joseph St., Suite B1
 Rapid City, South Dakota 57701
 T 605.355.6804
 www.chamberlinarchitects.com

GVCES
 GRAND VALLEY ENGINEERING SOLUTIONS
 ELECTRICAL CONSULTING ENGINEERS
 2961 CIRCLE HAWK COURT GRAND JUNCTION, CO 81503
 (970) 256-0353 FAX: (970) 245-6319

ORCHARD MESA FIRE STATION #4

GRAND JUNCTION, COLORADO

ALERTING SYSTEM PLAN

NO: ISSUED FOR: DATE:

PROJECT STATUS: 100% CD

DRAWN BY: KLT CHECKED BY: WLM

DATE: 04/10/2015 SHEET NO:

PROJECT NO: 1443/140330 **E402**

LIGHTING SCHEDULE									
LIGHTING FIXTURE DESIGNATION	MANUFACTURER CATALOG # FIRST HALF APPROVED ALTERNATE HOUSING MATERIAL	MOUNTING AIMING DIFFUSER REFLECTOR HOUSING FINISH	LAMP		BALLAST / DRIVER TYPE 1		BALLAST / DRIVER TYPE 2		DESCRIPTION
			QUANTITY - TYPE MANUFACTURER CATALOG NUMBER	COLOR TEMPERATURE LAMP LIFE	QUANTITY - TYPE MANUFACTURER CATALOG NUMBER	STARTING METHOD BALLAST FACTOR	QUANTITY - TYPE MANUFACTURER CATALOG NUMBER	STARTING METHOD BALLAST FACTOR	
FA1 FLUORESCENT: ARCHITECTURAL 4.75" H X 24" W X 2' L	COLUMBIA TRE 22-3 17 G RFA E U LITHONIA, METALUX SHEET STEEL	CEILING RECESSED DIRECT/INDIRECT RIBBED FROSTED ACRYLIC PAINTED WHITE	3 - 17 WATT 24" T8 LINEAR FLUORESCENT G.E. F1778/XL/SPX35/ECO 1350 L 3500 DEG K >=85 >=36,000 HOURS		1 - FLUOR: 3 OR 4 LAMP 42 KHz ELECTRONIC ADVANCE REL-4P32-SC INSTANT >=1.00 0 DEG F =<20%	SECOND BALLAST / DRIVER TYPE NOT REQUIRED			FA1: FLUORESCENT: ARCHITECTURAL 120 V 44 W ENVIRONMENT: ABOVE 50F & DRY. TROFFER WITH ARCHITECTURAL LENS.
FA2 FLUORESCENT: ARCHITECTURAL 4.75" H X 24" W X 2' L	COLUMBIA TRE 22-3 17 G RFA E U LITHONIA, METALUX SHEET STEEL	CEILING RECESSED DIRECT/INDIRECT RIBBED FROSTED ACRYLIC PAINTED WHITE	3 - 17 WATT 24" T8 LINEAR FLUORESCENT G.E. F1778/XL/SPX35/ECO 1350 L 3500 DEG K >=85 >=36,000 HOURS		1 - FLUOR: 3 OR 4 LAMP 42 KHz ELECTRONIC ADVANCE REL-4P32-SC INSTANT >=1.00 0 DEG F =<20%	SECOND BALLAST / DRIVER TYPE NOT REQUIRED			FA2: FLUORESCENT: ARCHITECTURAL 120 V 44 W ENVIRONMENT: ABOVE 50F & DRY. TROFFER WITH ARCHITECTURAL LENS AND ELECTRONIC DIMMING BALLAST.
FA3 FLUORESCENT: ARCHITECTURAL 4" H X 3.2" W X 4' L	FOCAL POINT FAVA NS 1T5 2C 120 S F 2EG SN WH 4" PRINACLE, METALUX SHEET STEEL	CEILING RECESSED DIRECT/ACCENT PERFERATED METAL PAINTED WHITE	1 - 21 WATT 33" T5 FLUORESCENT - MR16 G.E. F21W/T5/835/ECO - Q35MR16/C/CG12 2100 L 3500 DEG K >=85 >=36,000 HOURS		1 - FLUOR: 1-LAMP ELECTRONIC ADVANCE ICN-2S28 PROG M >=1.00 0 DEG F =<20%	SECOND BALLAST / DRIVER TYPE NOT REQUIRED			FA3: FLUORESCENT: ARCHITECTURAL 120 V 46 W ENVIRONMENT: ABOVE 50F & DRY. FLANGED MOUNTED WITH 1 LAMPS IN CROSS SECTION. SUPPLY WITH EXTENDED GIMBAL AND SNOOT FOR THE MR16 LAMPS. PROVIDE WITH (2) 35 WATT MR16 LAMPS.
FA4 FLUORESCENT: ARCHITECTURAL 7.75" H X 7.04" W X 4' L	FOCAL POINT FVAZ BB 1T5 1C 120 E RC WH 4" LITHONIA, METALUX SHEET STEEL	CEILING RECESSED DIRECT/ACCENT PERFERATED METAL PAINTED WHITE	1 - 28 WATT 46" T5 LINEAR FLUORESCENT G.E. F28W/T5/835/ECO 2900 L 3500 DEG K >=85 >=36,000 HOURS		1 - FLUOR: 1-LAMP 42 KHz ELECTRONIC ADVANCE ICN-2S28 PROG M >=1.00 0 DEG F =<20%	SECOND BALLAST / DRIVER TYPE NOT REQUIRED			FA4: FLUORESCENT: ARCHITECTURAL 120 V 34 W ENVIRONMENT: ABOVE 50F & DRY. PERMETER LINEAR WALLWASH FIXTURE WITH WHITE BAFFLE. ONE LAMP IN CROSS SECTION. SEE PLANS FOR REQUIRED LENGTHS.
FA6 FLUORESCENT: ARCHITECTURAL 4" H X 4" W X 3' PRJ	SHAPER 600-36-W-T5/ 2/21-120V-NA LITHONIA, METALUX SHEET STEEL	WALL SURFACE DIRECT/INDIRECT MATTE WHITE ACRYLIC NATURAL ALUMINUM	2 - 21 WATT 36" T5 LINEAR FLUORESCENT G.E. F21W/T5/835/ECO 2100 L 3500 DEG K >=85 >=36,000 HOURS		1 - FLUOR: 2 OR 3 LAMP 42 KHz ELECTRONIC ADVANCE ICN-2M32-MC INSTANT >=1.00 0 DEG F =<20%	SECOND BALLAST / DRIVER TYPE NOT REQUIRED			FA6: FLUORESCENT: ARCHITECTURAL 120 V 50 W ENVIRONMENT: ABOVE 50F & DRY. DECORATIVE WALL LINEAR FIXTURE WITH NATURAL ALUMINUM END CAPS.
FA7 FLUORESCENT: ARCHITECTURAL 5" H X 3.5" W X 4' PRJ	ALERA LIGHTING MDI 4 1U1DTS W N WCB E U ZT DC LITHONIA, METALUX SHEET STEEL	WALL SURFACE DIRECT/INDIRECT WHITE CROSS BAFFLE METALLIC SILVER	2 - 28 WATT 46" T5 LINEAR FLUORESCENT G.E. F28W/T5/835/ECO 2900 L 3500 DEG K >=85 >=36,000 HOURS		1 - FLUOR: 1-LAMP 42 KHz ELECTRONIC ADVANCE ICN-2S28 PROG M >=1.00 0 DEG F =<20%	SECOND BALLAST / DRIVER TYPE NOT REQUIRED			FA7: FLUORESCENT: ARCHITECTURAL 120 V 68 W ENVIRONMENT: ABOVE 50F & DRY. ONE LAMP UP AND ONE LAMP DOWN. PROVIDE WITH ACRYLIC LENS ON TOP OF FIXTURE AND CROSS BAFFLE ON BOTTOM.
FC1 FLUORESCENT: SURFACE WRAP 2.5" H X 15.38" W X 4' L	COLUMBIA WC 4-3 32-E U LITHONIA, METALUX SHEET STEEL	CEILING SURFACE DIRECT .125" ACRYLIC PRISMATIC PAINTED WHITE	3 - 32 WATT 48" T8 LINEAR FLUORESCENT G.E. F32T8/LX/SPX35/HL/ECO 3100 L 3500 DEG K >=85 >=36,000 HOURS		1 - FLUOR: 3 OF 4 LAMP 42 KHz ELECTRONIC ADVANCE REL-4P32-SC INSTANT >=1.00 0 DEG F =<20%	SECOND BALLAST / DRIVER TYPE NOT REQUIRED			FC1: FLUORESCENT: SURFACE WRAP 120 V 95 W ENVIRONMENT: ABOVE 50F & DRY.
FD1 FLUORESCENT: DOWNLIGHT 7.125" H X 15.75" W X 17.5" L X 0 DIA	PRESCOLITE CFT632HEB-STF602H CL B6 LITHONIA, HALO SHEET STEEL	CEILING RECESSED DIRECT CLEAR LENS SEMI-SPEC CLEAR ALZAK CLEAR ALZAK	1 - 32 WATT TRIPLE BIAx FLUORESCENT G.E. F32TBX/835/A/ECO 2400 L 3500 DEG K >=82 >=12,000 HOURS		1 - FLUOR: 1-LAMP 42 KHz ELECTRONIC AMBISTAR RCF-2S26-M1-BS-QS INSTANT >=1.00 0 DEG F =<20%	SECOND BALLAST / DRIVER TYPE NOT REQUIRED			FD1: FLUORESCENT: DOWNLIGHT 120 V 36 W ENVIRONMENT: ABOVE 50 DEG F & WET. 6" DIA. LENSED DOWNLIGHT. FIXTURE TO BE PROVIDED WITH MULTI-VOLT BALLAST.
FD2 FLUORESCENT: DOWNLIGHT 4.38" H X 14.56" W X 15.38" L X 0 DIA	GOTHAM LGPLP 1/32TRT 658 COL 120 PRESCOLITE, HALO SHEET STEEL	CEILING RECESSED DIRECT CLEAR LENS SEMI-SPEC CLEAR ALZAK CLEAR ALZAK	1 - 32 WATT TRIPLE BIAx FLUORESCENT G.E. F26DBX/835/ECO/4P 1710 L 3500 DEG K >=82 >=12,000 HOURS		1 - FLUOR: 2-LAMP 42 KHz ELECTRONIC AMBISTAR RCF-2S26-M1-BS-QS INSTANT >=1.00 0 DEG F =<20%	SECOND BALLAST / DRIVER TYPE NOT REQUIRED			FD2: FLUORESCENT: DOWNLIGHT 120 V 32 W ENVIRONMENT: -20 TO 120 DEG F & DAMP. 6" DIA. HORIZONTAL LENSED DOWNLIGHT.
FD3 FLUORESCENT: DOWNLIGHT 9.56" H X 15.87" W X 13.37" L X 0 DIA	PRESCOLITE PDRGF-32TRT- 6-WG-DWH6-120 LITHONIA, HALO SHEET STEEL	CEILING RECESSED DIRECT WHITE GLASS SEMI-SPEC CLEAR ALZAK CLEAR ALZAK	1 - 32 WATT TRIPLE BIAx FLUORESCENT G.E. F32TBX/835/A/ECO 2400 L 3500 DEG K >=82 >=12,000 HOURS		1 - FLUOR: 1-LAMP 42 KHz ELECTRONIC AMBISTAR RCF-2S26-M1-BS-QS INSTANT >=1.00 0 DEG F =<20%	SECOND BALLAST / DRIVER TYPE NOT REQUIRED			FD3: FLUORESCENT: DOWNLIGHT 120 V 36 W ENVIRONMENT: ABOVE 50 DEG F & DRY. 6" DIA. DOWNLIGHT WITH DECORATIVE DROPPED WHITE GLASS SHADE.
FG1 FLUORESCENT: GRID TROFFER 4.25" H X 24" W X 2' L	COLUMBIA J78 22 3 17 G FS A12125 E U LITHONIA, METALUX SHEET STEEL	CEILING RECESSED DIRECT .125" ACRYLIC PRISMATIC PAINTED WHITE	3 - 17 WATT 24" T8 LINEAR FLUORESCENT G.E. F1778/XL/SPX35/ECO 1350 L 3500 DEG K >=85 >=36,000 HOURS		1 - FLUOR: 3 OR 4 LAMP 42 KHz ELECTRONIC ADVANCE REL-4P32-SC INSTANT >=1.00 0 DEG F =<20%	SECOND BALLAST / DRIVER TYPE NOT REQUIRED			FG1: FLUORESCENT: GRID TROFFER 120 V 47 W ENVIRONMENT: ABOVE 50F & DRY.
FG2 FLUORESCENT: GRID TROFFER 3.125" H X 24" W X 4' L	COLUMBIA J78 24-3 32 G FS A12125 E U LITHONIA, METALUX SHEET STEEL	CEILING RECESSED DIRECT .125" ACRYLIC PRISMATIC PAINTED WHITE	3 - 32 WATT 48" T8 LINEAR FLUORESCENT G.E. F32T8/LX/SPX35/HL/ECO 3100 L 3500 DEG K >=85 >=36,000 HOURS		1 - FLUOR: 3 OR 4 LAMP 42 KHz ELECTRONIC ADVANCE REL-4P32-SC INSTANT >=1.00 0 DEG F =<20%	SECOND BALLAST / DRIVER TYPE NOT REQUIRED			FG2: FLUORESCENT: GRID TROFFER 120 V 94 W ENVIRONMENT: ABOVE 50F & DRY.
FH1 FLUORESCENT: HIGHBAY 27.9" H X 25.8" W X 25.8" L	G.E. LIGHTING OBC W 38 F O F E6 15 LITHONIA, COOPER ALUMINUM	PENDANT DIRECT ACRYLIC WHITE	8 - 32 WATT TRIPLE BIAx FLUORESCENT G.E. F32TBX/835/A/ECO 2400 L 3500 DEG K >=82 >=12,000 HOURS		1 - FLUOR: 2-LAMP 42 KHz ELECTRONIC AMBISTAR RCF-2S26-M1-BS-QS INSTANT >=1.00 0 DEG F =<20%	SECOND BALLAST / DRIVER TYPE NOT REQUIRED			FH1: FLUORESCENT: HIGHBAY 120 V 272W W ENVIRONMENT: ABOVE 50 DEG F & DRY. PROVIDE WITH CORD AND HOOK.
FS1 FLUORESCENT: OPEN STRIP 3" H X 4.43" W X 4' PRJ	COLUMBIA CS 4 2 32 E U LITHONIA, METALUX SHEET STEEL	WALL SURFACE DIRECT WHITE ACRYLIC PAINTED WHITE	2 - 32 WATT 48" T8 LINEAR FLUORESCENT G.E. F32T8/LX/SPX35/HL/ECO 3100 L 3500 DEG K >=85 >=36,000 HOURS		1 - FLUOR: 3-LAMP 42 KHz ELECTRONIC ADVANCE REL-3P32-SC PROG M >=1.00 0 DEG F =<20%	SECOND BALLAST / DRIVER TYPE NOT REQUIRED			FS1: FLUORESCENT: OPEN STRIP 120 V 65 W ENVIRONMENT: ABOVE 50F & DRY.
FW1 FLUORESCENT: EGRESS 7" H X 8" W X 7" PRJ X 0 DIA	SHAPER 682 8 WP CFL/2/28/3 2W-TRIPLE/120V-ALP HUBBELL, LITHONIA SHEET STEEL	WALL SURFACE CUT-OFF WHITE ACRYLIC ALUMINUM PAINT	2 - 32 WATT TRIPLE BIAx FLUORESCENT G.E. F32TBX/835/A/ECO 2400 L 3500 DEG K >=82 >=12,000 HOURS		1 - FLUOR: 2-LAMP 42 KHz ELECTRONIC AMBISTAR RCF-2S26-M1-BS-QS INSTANT >=1.00 0 DEG F =<20%	SECOND BALLAST / DRIVER TYPE NOT REQUIRED			FW1: FLUORESCENT: EGRESS 120 V 68 W ENVIRONMENT: -20F TO 120 DEG F & WET. EXTERIOR EGRESS FIXTURE. EMERGENCY EGRESS.
FW2 FLUORESCENT: ENCLOSED & GASKETED 43" H X 8.37" W X 4' PRJ	SHAPER 674 43" WP T5 /2/21 277V ALP KIM LIGHTFOUR SHEET STEEL	WALL SURFACE DIRECT MATTE WHITE ACRYLIC ALUMINUM PAINTED	2 - 21 WATT 33" T5 LINEAR FLUORESCENT G.E. F21W/T5/835/ECO 2100 L 3500 DEG K >=85 >=36,000 HOURS		1 - FLUOR: 2-LAMP 42 KHz ELECTRONIC ADVANCE ICN-2S28 PROG M >=1.00 0 DEG F =<20%	SECOND BALLAST / DRIVER TYPE NOT REQUIRED			FW2: FLUORESCENT: ENCLOSED & GASKETED 120 V 48 W ENVIRONMENT: ABOVE 50F & DRY. LUMINOUS WALL SCOCNE WITH DECORATIVE TRIM BARS.
LU1 L.E.D. UNDER CABINET 1" H X 4.87" W X 36" L	WILLIAMS 15F 3 L18/635 AF12 125 WRS/120 DRV 120 ALKCO, LITHONIA EXTRUDED ALUMINUM	UNDER CABINET DIRECT CLEAR POLYCARBONATE PEARL	1 - 21 WATT LED ARRAY G.E. LED28DP38S-FLTP 1000 L 4000 DEG K >=83 >=50,000 HOURS		1 - LED DRIVER DRIVER PROVIDED WITH LAMP DRIVER PROVIDED WITH LAMP INSTANT >=1.00 0 DEG F =<20%	SECOND BALLAST / DRIVER TYPE NOT REQUIRED			LU1: L.E.D. UNDER CABINET 120 V 21 W ENVIRONMENT: ABOVE 50F & DRY. PROVIDE WITH ROCKER SWITCH.
LW1 L.E.D. WALL 4.75" H X 3" W X 15.25" L	BRUCK LIGHTING SYSTEMS 137 100 BK APPROVED ALTERNATE CAST ALUMINUM	CEILING RECESSED ADJUSTABLE CLEAR LENS BLACK	1 - 3 WATT LED ARRAY SELECTED BY FIXTURE MANUFACTURER SELECTED BY FIXTURE MANUFACTURER 500 L 3000 DEG K >=82 >=50,000 HOURS		1 - STANDARD LED DRIVER SELECTED BY FIXTURE MANUFACTURER SELECTED BY FIXTURE MANUFACTURER INSTANT >=1.00 0 DEG F =<20%	SECOND BALLAST / DRIVER TYPE NOT REQUIRED			LW1: L.E.D. WALL 120 V 3 W ENVIRONMENT: ABOVE 50F & DRY. FLEXIBLE GOOSE NECK FIXTURE WITH BUILT-IN ROCKER SWITCH.
LX1 L.E.D. EXIT 9" H X 2" W X 13" L	DUAL-LITE LX U G W LITHONIA, FAIL-SAFE PLASTIC	UNIVERSAL DIRECT GREEN PLASTIC WHITE	1 - L.E.D. PROPRIETARY SELECTED BY FIXTURE MANUFACTURER SELECTED BY FIXTURE MANUFACTURER 200 L 3500 DEG K =<50 >=50,000 HOURS		1 - L.E.D. DRIVER SELECTED BY FIXTURE MANUFACTURER SELECTED BY FIXTURE MANUFACTURER INSTANT >=1.00 50 DEG F =<20%	SECOND BALLAST / DRIVER TYPE NOT REQUIRED			LX1: L.E.D. EXIT 120 V 3.5 W ENVIRONMENT: ABOVE 50F & DRY. PUNCH ARROWS TO SHOW DIRECTION OF EGRESS.

GENERAL NOTES:
1. IF THE FIXTURE CATALOG NUMBER CONFLICTS WITH THE FIXTURE DESCRIPTION, THE FIXTURE DESCRIPTION TAKES PRECEDENCE.
2. THE FIXTURE MANUFACTURER SHALL SUPPLY LAMPS AND ALL ACCESSORIES NECESSARY FOR THE INSTALLATION OF HIS FIXTURES.
3. THE COLOR TEMPERATURE OF ALL LAMPS SHALL BE THE SAME. CALL DISCREPANCIES IN THE SCHEDULE TO THE ENGINEER'S ATTENTION PRIOR TO RELEASING FIXTURES FOR MANUFACTURE.
4. BATTERIES IN BATTERY BACKED FLUORESCENT FIXTURES SHALL BE SIZED TO PROVIDE 90% OF A SINGLE LAMP RATED LUMEN OUTPUT FOR 90 MINUTES.
5. BALLASTS PROVIDED SHALL HAVE THE LOWEST SOUND RATING AVAILABLE FOR THEIR TYPE.
6. LAMPS PROVIDED SHALL HAVE THE LOWEST MERCURY CONTENT AVAILABLE FOR THEIR TYPE, AND SHALL BE TCLP COMPLIANT IF AVAILABLE.
7. SUBMIT AND RECEIVE APPROVAL FROM THE ENGINEER FOR ALL LIGHT FIXTURES, BALLASTS, AND BACK-UP BATTERIES PRIOR TO RELEASING FIXTURES FOR MANUFACTURE.

STATEMENT OF COMPLIANCE WITH THE INTERNATIONAL ENERGY CONSERVATION CODE - 2009	
SECTION 505.2 - INTERIOR LIGHTING CONTROLS	THIS SECTION REQUIRES A MANUAL LIGHTING CONTROL FOR EACH ROOM, EXCEPT SECURITY AREAS, EMERGENCY AREAS, AND MEANS OF EGRESS LIGHTING. FOR THIS PROJECT, SWITCHES HAVE BEEN PROVIDED FOR EACH ROOM WHERE MANDATED.
SECTION 505.2.2.1 - ADDITIONAL INTERIOR LIGHTING CONTROLS	THIS SECTION REQUIRES A LIGHT REDUCING CONTROL FOR EACH ROOM, EXCEPT THOSE WITH ONLY ONE LUMINAIRE, OCCUPANT-SENSING DEVICE, PUBLIC AREAS, SLEEPING UNIT, OR SPACE LESS THAN 0.6 WATTS PER SQUARE FOOT. FOR THIS PROJECT, THIS SECTION HAS BEEN COMPLIED WITH THROUGH THE USE OF BI-LEVEL SWITCHING OF FIXTURES.
SECTION 505.2.2.2 - AUTOMATIC LIGHTING SHUTOFF	THIS SECTION REQUIRES AN AUTOMATIC LIGHTING SYSTEM SHUTOFF DEVICE IN NON-RESIDENTIAL BUILDINGS OF 5000 SQUARE FEET OR MORE. THIS AUTOMATIC DEVICE SHALL BE A PROGRAMMABLE TIME-OF-DAY CONTROLLER, AN OCCUPANCY SENSOR, OR A SIGNAL FROM ANOTHER CONTROL OR ALARM SYSTEM WHICH INDICATED THAT THE BUILDING IS UNOCCUPIED. BASED ON EXCEPTION #3 "SPACES WHERE AN AUTOMATIC SHUTOFF WOULD ENDANGER OCCUPANT SAFETY OR SECURITY" THIS DEVICE WILL NOT BE PROVIDED. THIS IS AN INDUSTRIAL BUILDING WHERE HEAVY MACHINERY IS CONSTANTLY IN MOTION, AND WHERE POTENTIALLY LIFE THREATENING OPERATIONS (WELDING) ARE BEING PERFORMED CONSTANTLY.
SECTION 505.2.4 - EXTERIOR LIGHTING CONTROLS	THIS SECTION REQUIRES EXTERIOR LIGHTING NOT INTENDED FOR 24-HOUR OPERATION TO HAVE AUTOMATIC SWITCHING OR PHOTOCELL CONTROLS. FURTHER, IT REQUIRES TIME SWITCHES TO BE ASTRONOMICAL, 7-DAY, AND A MINIMUM 4 HOUR BATTERY OR MECHANICAL BACK-UP. FOR THIS PROJECT, THE EXTERIOR LIGHT SYSTEM IS CONTROLLED BY A PHOTOCELL TIME CLOCK COMBINATION.
SECTION 505.3 - TANDEM WIRING	THIS SECTION REQUIRES TANDEM WIRING FOR 1 AND 3 LAMP FIXTURES MOUNTED IN CONTINUOUS ROWS OR RECESSED IN ACCESSIBLE CEILINGS WITHIN 10' OF EACH OTHER. IT ALLOWS AN EXCEPTION IF ELECTRONIC HIGH FREQUENCY BALLASTS ARE USED OR IF FIXTURES ARE NOT ON SAME SWITCH CONTROL. THIS PROJECT WAS DESIGNED UTILIZING ELECTRONIC HIGH FREQUENCY BALLASTS.
SECTION 505.4 - EXIT SIGNS	THIS SECTION REQUIRES INTERNALLY ILLUMINATED EXIT SIGNS NOT EXCEED 5W SIDE. LED EXIT SIGNS HAVE BEEN SPECIFIED. THEIR POWER CONSUMPTION MEETS THIS REQUIREMENT.
SECTION 505.5 - INTERIOR LIGHTING POWER	THIS SECTION REQUIRES THAT THE CONNECTED LOAD FOR ALL INTERIOR LIGHTING NOT EXCEED POWER DENSITIES LISTED IN TABLE 506.6.2. IT ALLOWS EXCEPTIONS FOR MERCHANDISING. FOR THIS PROJECT, THE TABLE REQUIRES A POWER DENSITY NOT EXCEEDING 1.0 WATTS PER SQUARE FOOT. THIS BUILDING IS 8,428 SQUARE FEET. THE LIGHTING SYSTEM CONSUMES 7,356 WATTS. THE POWER DENSITY FOR THIS PROJECT IS .87 WATTS PER SQUARE FOOT. THIS IS WITHIN THE MAXIMUM POWER DENSITY LISTED IN TABLE 506.6.2.
SECTION 505.6 - EXTERIOR LIGHTING POWER	THIS SECTION REQUIRES THAT ALL EXTERIOR LIGHT SOURCES OVER 100 WATTS HAVE AN EFFICACY OF AT LEAST 60 LUMENS PER WATT. IT ALLOWS AN EXCEPTION FOR LOW VOLTAGE LANDSCAPE LIGHTING. IT ALSO ALLOWS AN EXCEPTION, WHERE APPROVED, FOR HISTORICAL, SAFETY, SIGNAGE, OR EMERGENCY LIGHTING. FOR THIS PROJECT, ALL EXTERIOR FIXTURES ARE METAL HALIDE OR FLUORESCENT, AND MEET THIS MINIMUM EFFICACY REQUIREMENT.
TABLE 506.6.2 - LIGHTING POWER DENSITIES FOR BUILDING EXTERIORS	THIS TABLE REQUIRES A MAXIMUM POWER DENSITY OF .15 W/FT SQ FOR PARKING LOTS AND DRIVES. FOR THIS PROJECT THE PARKING LOT LIGHTING POWER DENSITY IS .09 W/FT.
TABLE 506.6.2 - LIGHTING POWER DENSITIES FOR BUILDING EXTERIORS	THIS TABLE REQUIRES A MAXIMUM POWER DENSITY OF 30 WATTS PER LINEAR FOOT OF DOOR WIDTH AT MAIN ENTRIES, AND 20 WATTS PER LINEAR FOOT OF DOOR WIDTH AT OTHER BUILDING ENTRIES. FOR THIS PROJECT, OUR LIGHTING POWER DENSITY AT MAIN ENTRIES IS 21 WATTS PER LINEAR FOOT, AND AT OTHER BUILDING ENTRIES IS 22 WATTS PER LINEAR FOOT.

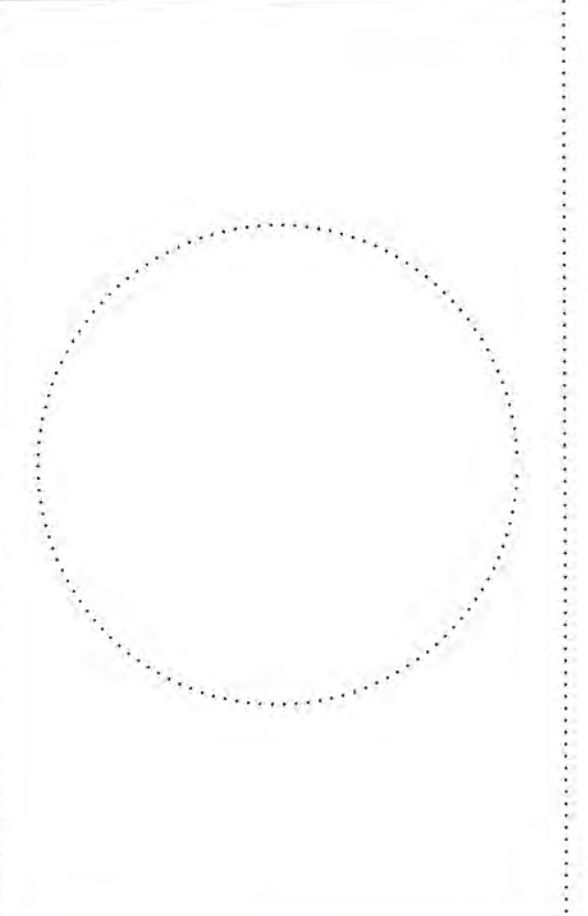
CHAMBERLIN ARCHITECTS
437 Main St.
Grand Junction, Colorado 81501
T 970.242.6804

725 Saint Joseph St., Suite B1
Rapid City, South Dakota 57701
T 605.355.6804

www.chamberlinarchitects.com

GVECS
GRAND VALLEY ENGINEERING SOLUTIONS
ELECTRICAL CONSULTING ENGINEERS

2981 CIRCLING HAWK COURT GRAND JUNCTION, CO 81503
(970) 256-0383 FAX: (970) 245-6179



ORCHARD MESA FIRE STATION #4

GRAND JUNCTION, COLORADO

SCHEDULES

NO: ISSUED FOR: DATE:

PROJECT STATUS: 100% CD

DRAWN BY: KLT CHECKED BY: WLM

DATE: 04/10/2015 SHEET NO:

PROJECT NO: 1443/140330 **E501**

ALTERNATE LIGHTING SCHEDULE									
LIGHTING FIXTURE DESIGNATION DESCRIPTION DIMENSIONS	MANUFACTURER CATALOG # FIRST HALF CATALOG # SECOND HALF APPROVED ALTERNATES HOUSING MATERIAL	MOUNTING AIMING DIFFUSER REFLECTOR HOUSING FINISH	LAMP		BALLAST / DRIVER TYPE 1		BALLAST / DRIVER TYPE 2		DESCRIPTION
			QUANTITY - TYPE MANUFACTURER CATALOG NUMBER		QUANTITY - TYPE MANUFACTURER CATALOG NUMBER		QUANTITY - TYPE MANUFACTURER CATALOG NUMBER		
			LUMENS	COLOR TEMPERATURE	STARTING METHOD	BALLAST FACTOR	STARTING METHOD	BALLAST FACTOR	
C. R. I.	LAMP LIFE	MIN START TEMP	HARMONICS	START TEMP	HARMONICS	START TEMP	HARMONICS		
ALA1 L.E.D: ARCHITECTURAL 4.75" H X 24" W X 2" L	COLUMBIA LITRE 22 35 VL G RFA E U LITHONIA, METALUX SHEET STEEL	CEILING RECESSED DIRECT/INDIRECT RIBBED FROSTED ACRYLIC CLEAR ALZAK	1 - 44 WATT LED ARRAY SELECTED BY FIXTURE MANUFACTURER	1 - STANDARD LED DRIVER SELECTED BY FIXTURE MANUFACTURER	1 - STANDARD LED DRIVER SELECTED BY FIXTURE MANUFACTURER	0 DEG F	>=1.00	<=20%	ALA1: L.E.D: ARCHITECTURAL 120 V 44 W ENVIRONMENT: ABOVE 50F & DRY. ALTERNATE FOR 'FA1'. TROFFER. PROVIDE FIXED OUTPUT DRIVER WITH VERY HIGH LUMEN OUTPUT.
ALA2 L.E.D: ARCHITECTURAL 4.75" H X 24" W X 2" L	COLUMBIA LITRE 22 35 VL G RFA E U LITHONIA, METALUX SHEET STEEL	CEILING RECESSED DIRECT/INDIRECT RIBBED FROSTED ACRYLIC CLEAR ALZAK	1 - 44 WATT LED ARRAY SELECTED BY FIXTURE MANUFACTURER	1 - STANDARD LED DRIVER SELECTED BY FIXTURE MANUFACTURER	1 - STANDARD LED DRIVER SELECTED BY FIXTURE MANUFACTURER	0 DEG F	>=1.00	<=20%	ALA2: L.E.D: ARCHITECTURAL 120 V 44 W ENVIRONMENT: ABOVE 50F & DRY. ALTERNATE FOR 'FA2'. TROFFER. PROVIDE 0-10 DIMMING DRIVER WITH VERY HIGH LUMEN OUTPUT.
ALA6 L.E.D: ARCHITECTURAL 4" H X 4" W X 3" PRJ	SHAPER 600-36-W-L3/835-120V-NA LITHONIA, METALUX SHEET STEEL	WALL SURFACE DIRECT/INDIRECT MATTE WHITE ACRYLIC NATURAL ALUMINUM	1 - 19 WATT LED ARRAY SELECTED BY FIXTURE MANUFACTURER	1 - STANDARD LED DRIVER SELECTED BY FIXTURE MANUFACTURER	1 - STANDARD LED DRIVER SELECTED BY FIXTURE MANUFACTURER	0 DEG F	>=1.00	<=20%	ALA6: L.E.D: ARCHITECTURAL 120 V 19 W ENVIRONMENT: ABOVE 50F & DRY. ALTERNATE FOR 'FA6'. DECORATIVE WALL LINEAR FIXTURE WITH NATURAL ALUMINUM END CAPS.
ALD1 L.E.D: DOWNLIGHT 6.75" H X 12.625" W X 14" L X 6" DIA	PRESCOLITE LF6LEDG4 6LFLED7 G4 35K WT NCT B6 LITHONIA, HALO SHEET STEEL	CEILING RECESSED DIRECT CLEAR LENS CLEAR ALZAK	1 - 27 WATT LED ARRAY SELECTED BY FIXTURE MANUFACTURER	1 - STANDARD LED DRIVER SELECTED BY FIXTURE MANUFACTURER	1 - STANDARD LED DRIVER SELECTED BY FIXTURE MANUFACTURER	0 DEG F	>=1.00	<=20%	ALD1: L.E.D: DOWNLIGHT 120 V 27 W ENVIRONMENT: ABOVE 50F & DRY. ALTERNATE FOR 'FD1'. PROVIDE WITH WHITE NON-CONDUCTIVE TRIM.
ALD2 L.E.D: DOWNLIGHT 6.75" H X 12.625" W X 14" L X 6" DIA	PRESCOLITE LF6LEDG4 6LFLED7G 4 35K WT B6 SCARD LITHONIA, HALO SHEET STEEL	CEILING RECESSED DIRECT CLEAR LENS CLEAR ALZAK	1 - 27 WATT LED ARRAY SELECTED BY FIXTURE MANUFACTURER	1 - STANDARD LED DRIVER SELECTED BY FIXTURE MANUFACTURER	1 - STANDARD LED DRIVER SELECTED BY FIXTURE MANUFACTURER	0 DEG F	>=1.00	<=20%	ALD2: L.E.D: DOWNLIGHT 120 V 27 W ENVIRONMENT: ABOVE 50F & DRY. ALTERNATE FOR 'FD2'. PROVIDE WITH SLOPED CEILING ADAPTOR.
ALD3 L.E.D: DOWNLIGHT 5.625" H X 7" W X 7" L	SHAPER 340-6-DL-LED835/118- 120V-SCSF-ERW6-CYC-DML LITHONIA, HALO SHEET STEEL	CEILING RECESSED DIRECT CLEAR LENS CLEAR ALZAK	1 - 15 WATT LED ARRAY SELECTED BY FIXTURE MANUFACTURER	1 - STANDARD LED DRIVER SELECTED BY FIXTURE MANUFACTURER	1 - STANDARD LED DRIVER SELECTED BY FIXTURE MANUFACTURER	0 DEG F	>=1.00	<=20%	ALD3: L.E.D: DOWNLIGHT 120 V 15 W ENVIRONMENT: ABOVE 50F & DRY. ALTERNATE FOR 'FD3'. 7" DIA DOWNLIGHT WITH DECORATIVE DROPPED WHITE GLASS SHADE.
ALG1 L.E.D: GRID TROFFER 4.25" H X 24" W X 2" L	COLUMBIA LIT 22 35 VL G FS A12125 E U LITHONIA, METALUX SHEET STEEL	CEILING RECESSED DIRECT FROSTED LENS CLEAR ALZAK	1 - 51 WATT LED ARRAY SELECTED BY FIXTURE MANUFACTURER	1 - STANDARD LED DRIVER SELECTED BY FIXTURE MANUFACTURER	1 - STANDARD LED DRIVER SELECTED BY FIXTURE MANUFACTURER	0 DEG F	>=1.00	<=20%	ALG1: L.E.D: GRID TROFFER 120 V 51 W ENVIRONMENT: ABOVE 50F & DRY. ALTERNATE FOR 'FG1'. PROVIDE FIXED OUTPUT DRIVER WITH VERY HIGH LUMEN OUTPUT.
ALG2 L.E.D: GRID TROFFER 3.125" H X 24" W X 4" L	COLUMBIA LIT 24 35 XL G FS A12125 E U LITHONIA, METALUX SHEET STEEL	CEILING RECESSED DIRECT FROSTED LENS CLEAR ALZAK	1 - 85 WATT LED ARRAY SELECTED BY FIXTURE MANUFACTURER	1 - STANDARD LED DRIVER SELECTED BY FIXTURE MANUFACTURER	1 - STANDARD LED DRIVER SELECTED BY FIXTURE MANUFACTURER	0 DEG F	>=1.00	<=20%	ALG2: L.E.D: GRID TROFFER 120 V 85 W ENVIRONMENT: ABOVE 50F & DRY. ALTERNATE FOR 'FG2'. PROVIDE FIXED OUTPUT DRIVER WITH EXTRA HIGH LUMEN OUTPUT.
ALH1 L.E.D: HIGH BAY 30" H X 22.5" W X 22.5" L	HUBBELL LBX 112 L 2 35K A GR WA22 C4-4 HLP 2 ANTIQUE ST LIGHT, AAL ALUMINUM	PENDANT DIRECT PRISMATIC ACRYLIC WHITE	1 - 112 WATT LED ARRAY SELECTED BY FIXTURE MANUFACTURER	1 - STANDARD LED DRIVER SELECTED BY FIXTURE MANUFACTURER	1 - STANDARD LED DRIVER SELECTED BY FIXTURE MANUFACTURER	0 DEG F	>=1.00	<=20%	ALH1: L.E.D: HIGH BAY 208 V 112W W ENVIRONMENT: ABOVE 50 DEG F & DRY. ALTERNATE FOR 'MH1'. PROVIDE WITH CORD AND HOOK.
ALS1 L.E.D: OPEN STRIP 3" H X 4.43" W X 4" L	COLUMBIA LCS 4 35 HL E U LITHONIA, METALUX SHEET STEEL	CEILING SURFACE DIRECT CLEAR ALZAK	1 - 55 WATT LED ARRAY SELECTED BY FIXTURE MANUFACTURER	1 - STANDARD LED DRIVER SELECTED BY FIXTURE MANUFACTURER	1 - STANDARD LED DRIVER SELECTED BY FIXTURE MANUFACTURER	0 DEG F	>=1.00	<=20%	ALS1: L.E.D: OPEN STRIP 120 V 55 W ENVIRONMENT: ABOVE 50F & DRY. ALTERNATE FOR 'FS1'. PROVIDE FIXED OUTPUT DRIVER WITH HIGH LUMEN OUTPUT.
ALW1 L.E.D: WALL 7" H X 8" W X 7" PRJ	SHAPER 852 8 WP CFL2/28/3 2W-TRIPLE-120V-ALP HUBBELL, LITHONIA SHEET STEEL	WALL SURFACE CUT-OFF WHITE ACRYLIC ALUMINUM PAINT	1 - 16 WATT LED ARRAY SELECTED BY FIXTURE MANUFACTURER	1 - STANDARD LED DRIVER SELECTED BY FIXTURE MANUFACTURER	1 - STANDARD LED DRIVER SELECTED BY FIXTURE MANUFACTURER	0 DEG F	>=1.00	<=20%	ALW1: L.E.D: WALL 120 V 16 W ENVIRONMENT: -20F TO 120 DEG F & WET. ALTERNATE FOR 'FW1'. EXTERIOR EGRESS FIXTURE. EMERGENCY EGRESS.
ALW2 L.E.D: WALL 43" H X 8.375" W X 4" PRJ	SHAPER 674 43" WP L4 /830 120V ALP HUBBELL, LITHONIA SHEET STEEL	WALL SURFACE DIRECT WHITE ACRYLIC ALUMINUM PAINT	1 - 28 WATT LED ARRAY SELECTED BY FIXTURE MANUFACTURER	1 - STANDARD LED DRIVER SELECTED BY FIXTURE MANUFACTURER	1 - STANDARD LED DRIVER SELECTED BY FIXTURE MANUFACTURER	0 DEG F	>=1.00	<=20%	ALW2: L.E.D: WALL 120 V 28 W ENVIRONMENT: -20F TO 120 DEG F & WET. ALTERNATE FOR 'FW2'. EXTERIOR DECORATIVE FIXTURE.

MDC - DISTRIBUTION PANEL									
RATINGS:		REQUIRED OPTIONS & ACCESSORIES:			REQUIRED OPTIONS & ACCESSORIES:				
208/120 VOLTS 3 PHASE 4 WIRE NEMA1 ENCLOSURE 500 AMP BUS		COPPER BUS SURFACE SINGLE TUB MOUNTING 28000 AIC			GROUND BUS				
LOAD TYPE AND CIRCUIT DESCRIPTION	#/VA	AMPS	AMPS	#/VA	LOAD TYPE AND CIRCUIT DESCRIPTION	#/VA	AMPS	AMPS	#/VA
SUBFEED: ---	19841	1	16325	2	SUBFEED: ---	19841	1	16325	2
SUBFEED: PANEL LA	3	15868	200	4	SUBFEED: PANEL LB	3	15868	200	4
SUBFEED: ---	18671	5	15327	6	SUBFEED: ---	18671	5	15327	6
EQUIPMENT: ---	6133	7	10777	8	SUBFEED: ---	6133	7	10777	8
EQUIPMENT: CR2 SHOP: MOBILE COMPRESSOR	9	6133	60	10	SUBFEED: PANEL ATS	9	6133	60	10
EQUIPMENT: ---	11	6133	100	12	SUBFEED: ---	11	6133	100	12
SUBFEED: ---	13	12875	200	14	SPACE: ---	13	12875	200	14
SUBFEED: PANEL LC	15	12825	200	16	SPACE: ---	15	12825	200	16
SUBFEED: ---	17	12825	200	18	SPACE: ---	17	12825	200	18
SPACE: ---	19	0	0	20	SPACE: ---	19	0	0	20
SPACE: ---	21	0	0	22	SPACE: ---	21	0	0	22
SPACE: ---	23	0	0	24	SPACE: ---	23	0	0	24
LOADS BY TYPE (KVA)	CONNECTED	DEMAND	A	B	C	TOTAL	LOAD BY TYPE (KVA)	CONNECTED	DEMAND
LIGHTING	10.1	12.6	549.2	535.2	498.3	526.9	KITCHEN	14.1	14.1
RECEPTACLE	25.4	17.7	407.4	378.1	352.8	360.7	PROCESS	41.5	20.7
MOTOR - HEATING	3.7	3.7	66.0	64.3	59.6	189.8	MISCELLANEOUS	25.4	12.7
MOTOR - COOLING	13.2	13.2	48.9	45.4	42.4	129.9	SPACE	0.0	0.0
MOTOR - YR RND	15.5	15.5	48.9	45.4	42.4	129.9	SPARE	36.0	18.0
ELECTRIC HEAT	5.0	5.0	0	0	0	0	LARGEST MOTOR	1.6	0.4
BALANCE %:			A-B	B-C	C-A				
			97.4	92.7	90.4				

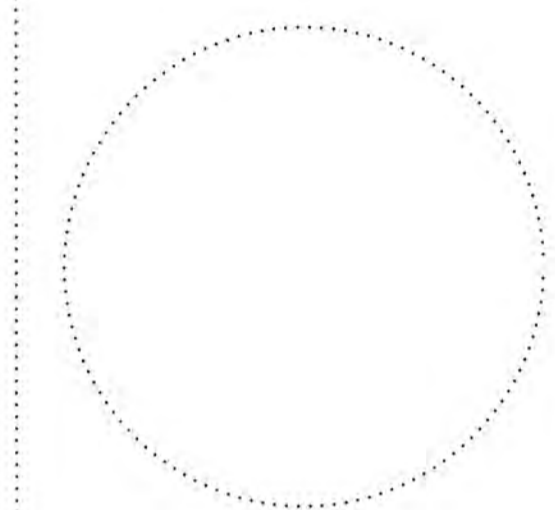
CHAMBERLIN
ARCHITECTS
ENHANCING EVERYDAY LIVING THROUGH DESIGN

CHAMBERLIN ARCHITECTS
437 Main St.
Grand Junction, Colorado 81501
T 970.242.6804

725 Saint Joseph St., Suite B1
Rapid City, South Dakota 57701
T 605.355.6804

www.chamberlinarchitects.com

GVECS
GRAND VALLEY ENGINEERING SOLUTIONS
ELECTRICAL CONSULTING ENGINEERS
2961 CIRCILING HAWK COURT GRAND JUNCTION, CO 81503
(970) 266-0393 FAX: (970) 245-9318



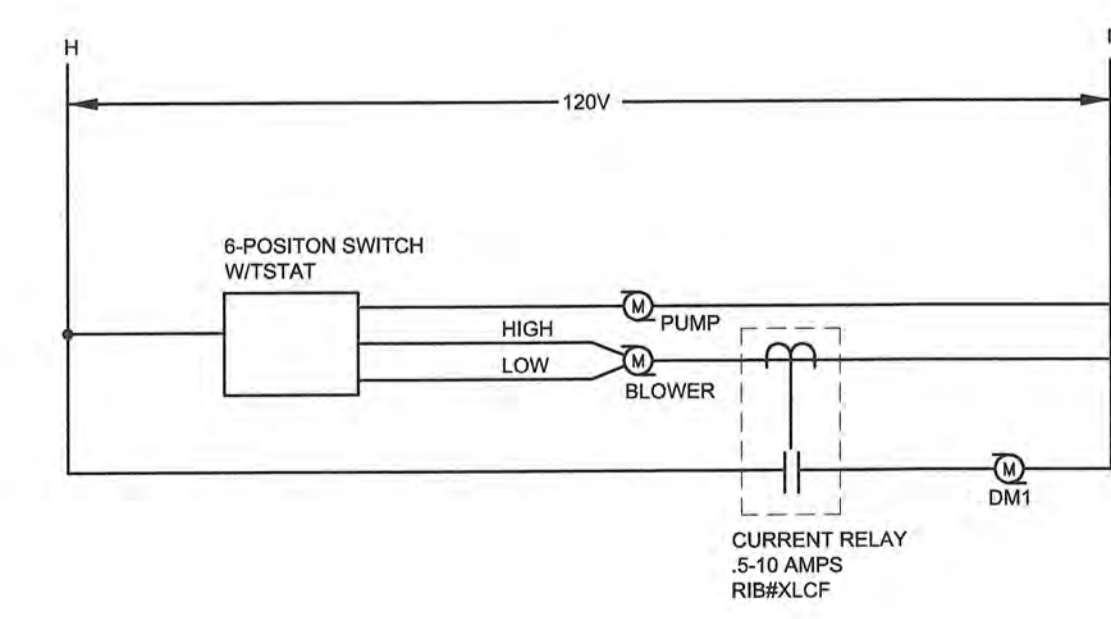
**ORCHARD MESA
FIRE STATION #4**

GRAND JUNCTION, COLORADO

SCHEDULES

NO: ISSUED FOR: DATE:

ALTERNATE SITE LIGHTING SCHEDULE									
LIGHTING FIXTURE DESIGNATION DESCRIPTION DIMENSIONS	MANUFACTURER CATALOG # FIRST HALF CATALOG # SECOND HALF APPROVED ALTERNATES HOUSING MATERIAL	MOUNTING AIMING DIFFUSER REFLECTOR HOUSING FINISH	LAMP		BALLAST / DRIVER TYPE 1		BALLAST / DRIVER TYPE 2		DESCRIPTION
			QUANTITY - TYPE MANUFACTURER CATALOG NUMBER		QUANTITY - TYPE MANUFACTURER CATALOG NUMBER		QUANTITY - TYPE MANUFACTURER CATALOG NUMBER		
			LUMENS	COLOR TEMPERATURE	STARTING METHOD	BALLAST FACTOR	STARTING METHOD	BALLAST FACTOR	
C. R. I.	LAMP LIFE	MIN START TEMP	HARMONICS	START TEMP	HARMONICS	START TEMP	HARMONICS		
ALE2 L.E.D: CUT-OFF 22" H X 25" W X 25" L X 25" DIA	KIM 1A RA252 120L4 K BL HA12L-TM1 ANTIQUE ST LIGHT, AAL ALUMINUM	POLE CUT-OFF HYDRORFORMED BLACK	1 - 120 L.E.D. ARRAY G.E. SELECTED BY FIXTURE MANUFACTURER	1 - L.E.D. ARRAY SELECTED BY FIXTURE MANUFACTURER	1 - L.E.D. ARRAY SELECTED BY FIXTURE MANUFACTURER	-20 DEG F	>=80	<=20%	ALE2: L.E.D: CUT-OFF 208 V 128W W ENVIRONMENT: -20F TO 120 DEG F & WET. ALTERNATE FOR 'ME2'. PROVIDE KIM #CAL16-641188 BL-P 16" STEPPED ALUMINUM POLE AND BRACKET ARM. PROVIDE TYPE II DISTRIBUTION.
ALE3 L.E.D: CUT-OFF 22" H X 25" W X 25" L X 25" DIA	KIM 1A RA254 120L4 K BL HA12L-TM1 ANTIQUE ST LIGHT, AAL ALUMINUM	POLE CUT-OFF HYDRORFORMED BLACK	1 - 120 L.E.D. ARRAY G.E. SELECTED BY FIXTURE MANUFACTURER	1 - L.E.D. ARRAY SELECTED BY FIXTURE MANUFACTURER	1 - L.E.D. ARRAY SELECTED BY FIXTURE MANUFACTURER	-20 DEG F	>=80	<=20%	ALE3: L.E.D: CUT-OFF 208 V 128W W ENVIRONMENT: -20F TO 120 DEG F & WET. ALTERNATE FOR 'ME3'. PROVIDE KIM #CAL16-641188 BL-P 16" STEPPED ALUMINUM POLE AND BRACKET ARM. PROVIDE TYPE IV DISTRIBUTION.
ALE4 L.E.D: CUT-OFF 16.5" H X 16" W X 16" L X 17" DIA	KIM 1A RA172 60L4 K BL HA12S-TM1 ANTIQUE ST LIGHT, AAL ALUMINUM	POLE CUT-OFF HYDRORFORMED BLACK	1 - 60 L.E.D. ARRAY G.E. SELECTED BY FIXTURE MANUFACTURER	1 - L.E.D. ARRAY SELECTED BY FIXTURE MANUFACTURER	1 - L.E.D. ARRAY SELECTED BY FIXTURE MANUFACTURER	-20 DEG F	>=80	<=20%	ALE4: L.E.D: CUT-OFF 208 V 88 W ENVIRONMENT: -20F TO 120 DEG F & WET. ALTERNATE FOR 'ME4'. PROVIDE KIM #CAS16-534188 BL-P 16" STEPPED ALUMINUM POLE AND BRACKET ARM. PROVIDE TYPE II DISTRIBUTION.



EC1 / EC2 WIRING DIAGRAM
NO SCALE
ADJUST CURRENT RELAY TO OPEN DAMPER WHEN BLOWER MOTOR IS
RUNNING AT LOW SPEED.

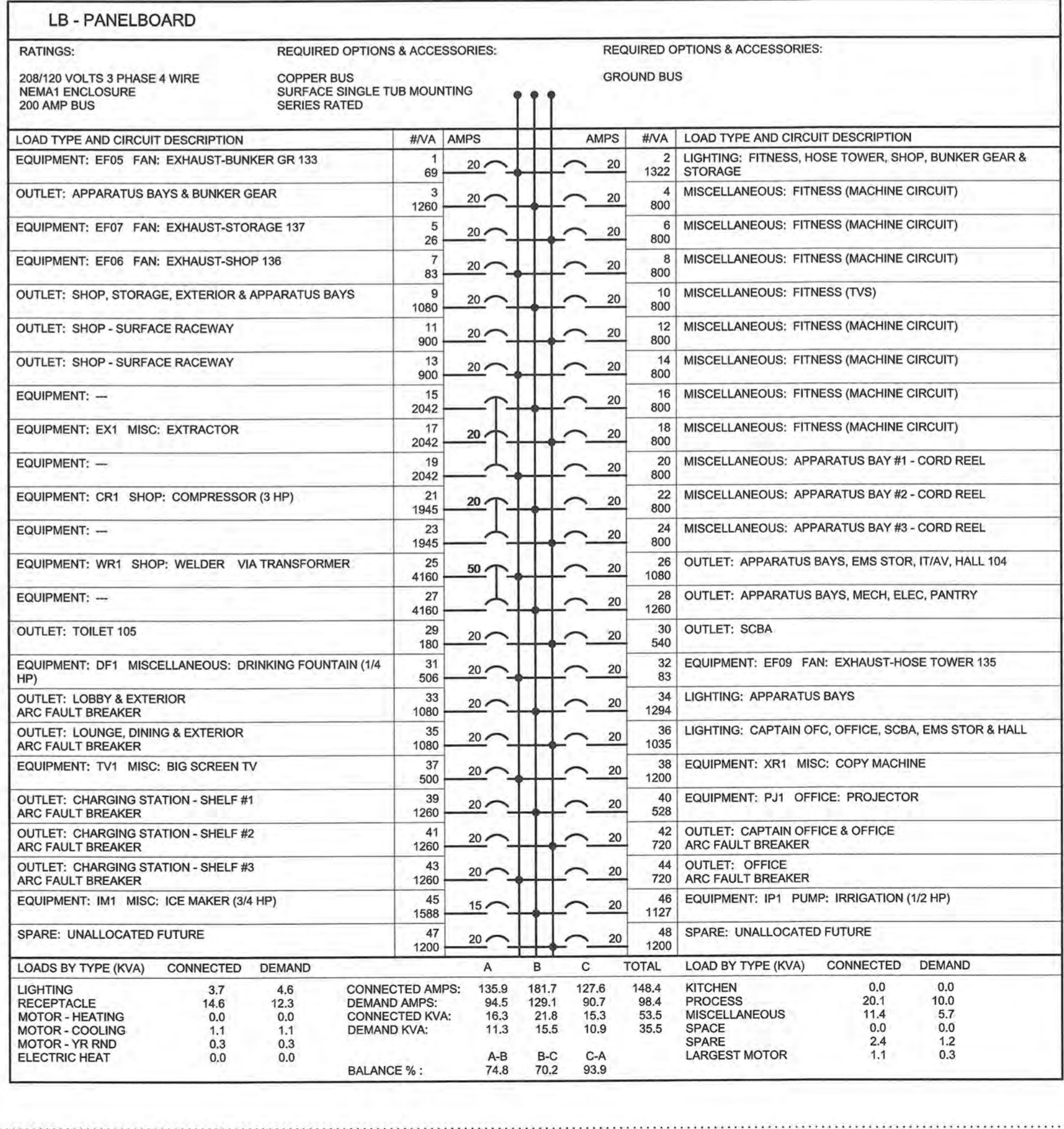
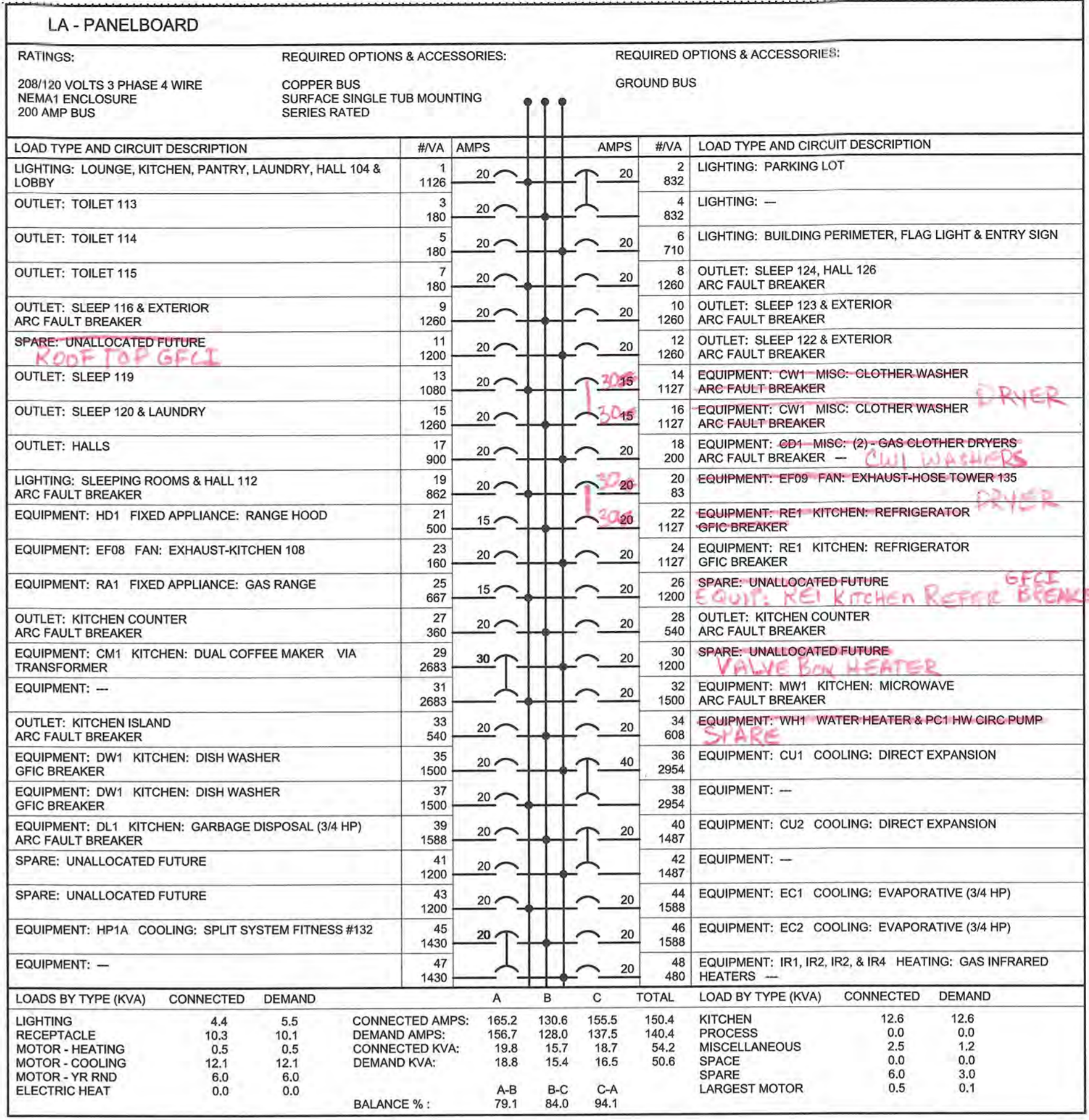
PROJECT STATUS: 100% CD

DRAWN BY: KLT CHECKED BY: WLM

DATE: 04/10/2015 SHEET NO:

PROJECT NO: 1443/140330 **E502**

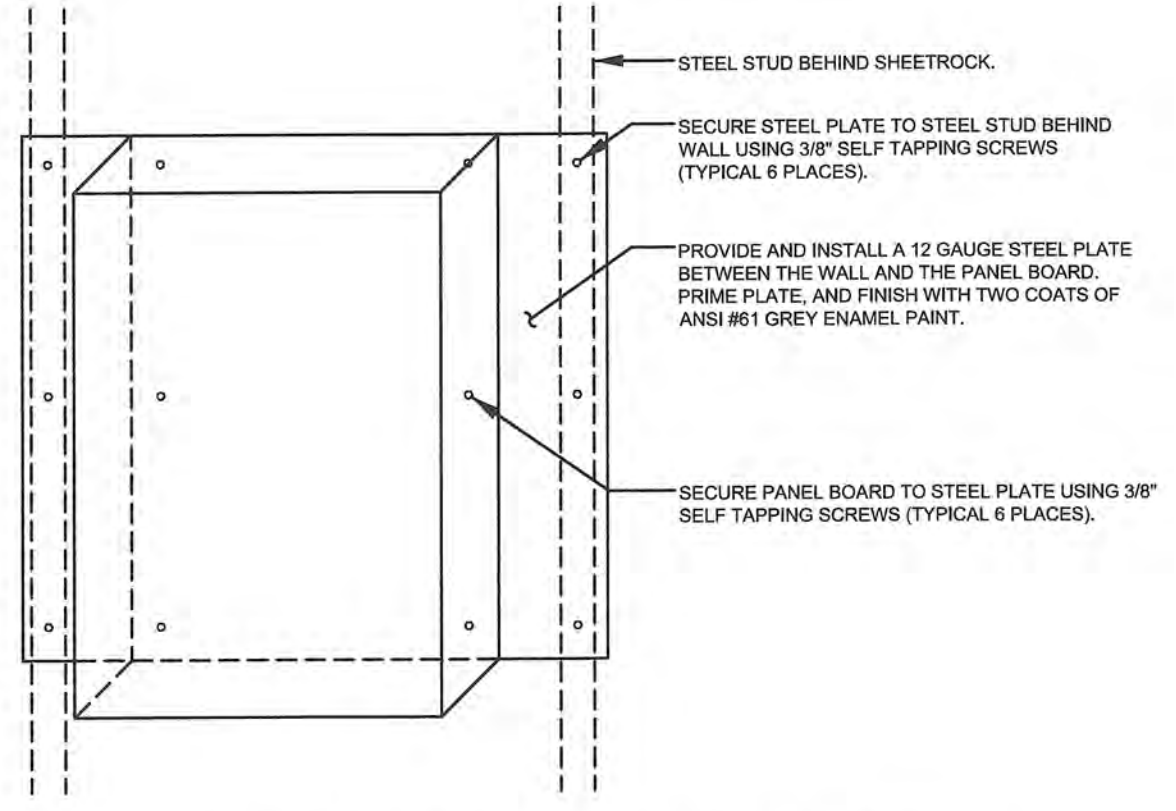
MECHANICAL EQUIPMENT SCHEDULE									
EQUIPMENT DESIGNATION	RATINGS SUPPLIED BY INSTALLED BY WIRING BY	BRANCH CIRCUIT	OVERCURRENT	CONTROLLER	DISCONNECT @ CONTROLLER	DISCONNECT @ EQUIPMENT	CONTROL DEVICE	EQUIPMENT DESIGNATION & DESCRIPTION	
DESCRIPTION		PHASE WIRE NEUTRAL WIRE GROUND WIRE	DEVICE RATING DEVICE TYPE LOCATION	TYPE ENCLOSURE SUPPLIED BY INSTALLED BY WIRING BY	ENCLOSURE SUPPLIED BY INSTALLED BY WIRING BY	ENCLOSURE SUPPLIED BY INSTALLED BY WIRING BY	TYPE ENCLOSURE SUPPLIED BY INSTALLED BY WIRING BY		
AF1 CEILING AIR FILTER	120V 13.2A 1PH 2W OWNER #12 COPPER #12 COPPER #12 COPPER	0.50" EMT #12 COPPER #12 COPPER #12 COPPER	20 CIRCUIT BREAKER MDC	---	NONE REQUIRED	NONFUSED SWITCH NEMA 1 ELECTRICAL SUB ELECTRICAL SUB ELECTRICAL SUB	CONTROL PANEL NEMA 1 EQUIP. MFGR ELECTRICAL SUB ELECTRICAL SUB	AF1: CEILING AIR FILTER RECEIVE AND INSTALL CONTROL PANEL SUPPLIED WITH FILTER. WIRE TO CONTACTS IN ALERTING SYSTEM TO ACTIVATE FILTER WHEN ALARM IS RECEIVED.	
AF2 CEILING AIR FILTER	120V 13.2A 1PH 2W OWNER #12 COPPER #12 COPPER #12 COPPER	0.50" EMT #12 COPPER #12 COPPER #12 COPPER	20 CIRCUIT BREAKER PANELBOARD	---	NONE REQUIRED	NONFUSED SWITCH NEMA 1 ELECTRICAL SUB ELECTRICAL SUB ELECTRICAL SUB	CONTROL PANEL NEMA 1 EQUIP. MFGR ELECTRICAL SUB ELECTRICAL SUB	AF2: CEILING AIR FILTER RECEIVE AND INSTALL CONTROL PANEL SUPPLIED WITH FILTER. WIRE TO CONTACTS IN ALERTING SYSTEM TO ACTIVATE FILTER WHEN ALARM IS RECEIVED.	
AF3 CEILING AIR FILTER	120V 13.2A 1PH 2W OWNER #12 COPPER #12 COPPER #12 COPPER	0.50" EMT #12 COPPER #12 COPPER #12 COPPER	20 CIRCUIT BREAKER PANELBOARD	---	NONE REQUIRED	NONFUSED SWITCH NEMA 1 ELECTRICAL SUB ELECTRICAL SUB ELECTRICAL SUB	CONTROL PANEL NEMA 1 EQUIP. MFGR ELECTRICAL SUB ELECTRICAL SUB	AF3: CEILING AIR FILTER RECEIVE AND INSTALL CONTROL PANEL SUPPLIED WITH FILTER. WIRE TO CONTACTS IN ALERTING SYSTEM TO ACTIVATE FILTER WHEN ALARM IS RECEIVED.	
CU1 COOLING: DIRECT EXPANSION	208V 28.4A 1PH 2W MECH. SUB #10 COPPER #10 COPPER	0.50" EMT #8 COPPER NO NEUTRAL #10 COPPER	40 CIRCUIT BREAKER PANELBOARD	---	NONE REQUIRED	NONFUSED SWITCH NEMA 3 ELECTRICAL SUB ELECTRICAL SUB ELECTRICAL SUB	MAG CONTACTOR NEMA 1 EQUIP. MFGR ELECTRICAL SUB	CU1: COOLING: DIRECT EXPANSION ASSOCIATED WITH FR-1.	
CU2 COOLING: DIRECT EXPANSION	208V 14.3A 1PH 2W MECH. SUB #12 COPPER #12 COPPER #12 COPPER	0.50" EMT #8 COPPER NO NEUTRAL #12 COPPER	20 CIRCUIT BREAKER PANELBOARD	---	NONE REQUIRED	NONFUSED SWITCH NEMA 3 ELECTRICAL SUB ELECTRICAL SUB ELECTRICAL SUB	MAG CONTACTOR NEMA 1 EQUIP. MFGR ELECTRICAL SUB	CU2: COOLING: DIRECT EXPANSION ASSOCIATED WITH FR-2.	
DF1 MISCELLANEOUS: DRINKING FOUNTAIN (1/4 HP)	120V 4.2A 1PH 2W MECH. SUB #12 COPPER #12 COPPER #12 COPPER	0.50" EMT #12 COPPER #12 COPPER #12 COPPER	20 CIRCUIT BREAKER PANELBOARD	---	NONE REQUIRED	PLUG-IN NEMA 1 ELECTRICAL SUB ELECTRICAL SUB ELECTRICAL SUB	---	DF1: MISCELLANEOUS: DRINKING FOUNTAIN (1/4 HP) COORDINATE RECEPTACLE LOCATION WITH DRINKING FOUNTAIN HOUSING.	
EC1 COOLING: EVAPORATIVE (3/4 HP)	120V 13.2A 1PH 2W MECH. SUB #12 COPPER #12 COPPER #12 COPPER	0.50" EMT #12 COPPER #12 COPPER #12 COPPER	20 CIRCUIT BREAKER PANELBOARD	---	NONE REQUIRED	SERVICE SWITCH NEMA 3R EQUIP. MFGR ELECTRICAL SUB	8-POS SWITCH-W/STAT NEMA 1 MECH. SUB ELECTRICAL SUB	EC1: COOLING: EVAPORATIVE (3/4 HP) IF BREEZE AIRE ALTERNATE IS SELECTED, WIRE THERMOSTAT PER MANUFACTURER'S SHOP DRAWINGS. WIRE DAMPER DM1 PER WIRING DIAGRAM ON THE PLANS.	
EC2 COOLING: EVAPORATIVE (3/4 HP)	120V 13.2A 1PH 2W MECH. SUB #12 COPPER #12 COPPER #12 COPPER	0.50" EMT #12 COPPER #12 COPPER #12 COPPER	20 CIRCUIT BREAKER PANELBOARD	---	NONE REQUIRED	SERVICE SWITCH NEMA 3R EQUIP. MFGR ELECTRICAL SUB	8-POS SWITCH-W/STAT NEMA 1 MECH. SUB ELECTRICAL SUB	EC2: COOLING: EVAPORATIVE (3/4 HP) IF BREEZE AIRE ALTERNATE IS SELECTED, WIRE THERMOSTAT PER MANUFACTURER'S SHOP DRAWINGS. WIRE DAMPER DM1 PER WIRING DIAGRAM ON PLANS.	
EF01 FAN: EXHAUST-SHOWER 115	120V 0.5A 1PH 2W MECH. SUB #12 COPPER #12 COPPER #12 COPPER	0.50" EMT #12 COPPER #12 COPPER #12 COPPER	20 CIRCUIT BREAKER PANELBOARD	---	NONE REQUIRED	---	OCC SWITCH NEMA 1 ELECTRICAL SUB ELECTRICAL SUB	EF01: FAN: EXHAUST-SHOWER 115 RECEIVE SOLID STATE SPEED CONTROL FROM MECHANICAL CONTRACTOR. MOUNT AND WIRE IN FAN HOUSING. BALANCING CONTRACTOR TO ADJUST AT COMPLETION OF JOB.	
EF02 FAN: EXHAUST-SHOWER 114	120V 0.5A 1PH 2W MECH. SUB #12 COPPER #12 COPPER #12 COPPER	0.50" EMT #12 COPPER #12 COPPER #12 COPPER	20 CIRCUIT BREAKER PANELBOARD	---	NONE REQUIRED	---	OCC SWITCH NEMA 1 ELECTRICAL SUB ELECTRICAL SUB	EF02: FAN: EXHAUST-SHOWER 114 RECEIVE SOLID STATE SPEED CONTROL FROM MECHANICAL CONTRACTOR. MOUNT AND WIRE IN FAN HOUSING. BALANCING CONTRACTOR TO ADJUST AT COMPLETION OF JOB.	
EF03 FAN: EXHAUST-SHOWER 113	120V 0.5A 1PH 2W MECH. SUB #12 COPPER #12 COPPER #12 COPPER	0.50" EMT #12 COPPER #12 COPPER #12 COPPER	20 CIRCUIT BREAKER PANELBOARD	---	NONE REQUIRED	---	OCC SWITCH NEMA 1 ELECTRICAL SUB ELECTRICAL SUB	EF03: FAN: EXHAUST-SHOWER 113 RECEIVE SOLID STATE SPEED CONTROL FROM MECHANICAL CONTRACTOR. MOUNT AND WIRE IN FAN HOUSING. BALANCING CONTRACTOR TO ADJUST AT COMPLETION OF JOB.	
EF04 FAN: EXHAUST-TOILET 105	120V 1.6A 1PH 2W MECH. SUB #12 COPPER #12 COPPER #12 COPPER	0.50" EMT #12 COPPER #12 COPPER #12 COPPER	20 CIRCUIT BREAKER PANELBOARD	---	NONE REQUIRED	---	OCC SWITCH NEMA 1 ELECTRICAL SUB ELECTRICAL SUB	EF04: FAN: EXHAUST-TOILET 105 RECEIVE SOLID STATE SPEED CONTROL FROM MECHANICAL CONTRACTOR. MOUNT AND WIRE IN FAN HOUSING. BALANCING CONTRACTOR TO ADJUST AT COMPLETION OF JOB.	
EF05 FAN: EXHAUST-BUNKER GR 133	120V 0.6A 1PH 2W MECH. SUB #12 COPPER #12 COPPER #12 COPPER	0.50" EMT #12 COPPER #12 COPPER #12 COPPER	20 CIRCUIT BREAKER PANELBOARD	---	NONE REQUIRED	---	SWITCH NEMA 1 ELECTRICAL SUB ELECTRICAL SUB	EF05: FAN: EXHAUST-BUNKER GR 133 RECEIVE SOLID STATE SPEED CONTROL FROM MECHANICAL CONTRACTOR. MOUNT AND WIRE IN FAN HOUSING. BALANCING CONTRACTOR TO ADJUST AT COMPLETION OF JOB.	
EF06 FAN: EXHAUST-SHOP 136	120V 0.7A 1PH 2W MECH. SUB #12 COPPER #12 COPPER #12 COPPER	0.50" EMT #12 COPPER #12 COPPER #12 COPPER	20 CIRCUIT BREAKER PANELBOARD	---	NONE REQUIRED	---	SWITCH NEMA 1 ELECTRICAL SUB ELECTRICAL SUB	EF06: FAN: EXHAUST-SHOP 136 RECEIVE SOLID STATE SPEED CONTROL FROM MECHANICAL CONTRACTOR. MOUNT AND WIRE IN FAN HOUSING. BALANCING CONTRACTOR TO ADJUST AT COMPLETION OF JOB.	
EF07 FAN: EXHAUST-STORAGE 137	120V 0.2A 1PH 2W MECH. SUB #12 COPPER #12 COPPER #12 COPPER	0.50" EMT #12 COPPER #12 COPPER #12 COPPER	20 CIRCUIT BREAKER PANELBOARD	---	NONE REQUIRED	---	THERMOSTAT NEMA 1 MECH. SUB ELECTRICAL SUB	EF07: FAN: EXHAUST-STORAGE 137 RECEIVE SOLID STATE SPEED CONTROL FROM MECHANICAL CONTRACTOR. MOUNT AND WIRE IN FAN HOUSING. BALANCING CONTRACTOR TO ADJUST AT COMPLETION OF JOB.	
EF08 FAN: EXHAUST-KITCHEN 108	120V 1.3A 1PH 2W MECH. SUB #12 COPPER #12 COPPER #12 COPPER	0.50" EMT #12 COPPER #12 COPPER #12 COPPER	20 CIRCUIT BREAKER PANELBOARD	---	NONE REQUIRED	NONFUSED SWITCH NEMA 3R ELECTRICAL SUB ELECTRICAL SUB	SPEED CTL IN HOOD NEMA 1 ELECTRICAL SUB ELECTRICAL SUB	EF08: FAN: EXHAUST-KITCHEN 108 MOUNT AND WIRE IN FAN HOUSING. BALANCING CONTRACTOR TO ADJUST AT COMPLETION OF JOB.	
EF09 FAN: EXHAUST-HOSE TOWER 135	120V 0.7A 1PH 2W MECH. SUB #12 COPPER #12 COPPER #12 COPPER	0.50" EMT #12 COPPER #12 COPPER #12 COPPER	20 CIRCUIT BREAKER PANELBOARD	---	NONE REQUIRED	---	HUMIDISTAT NEMA 1 MECH. SUB ELECTRICAL SUB	EF09: FAN: EXHAUST-HOSE TOWER 135 RECEIVE SOLID STATE SPEED CONTROL FROM MECHANICAL CONTRACTOR. MOUNT AND WIRE IN FAN HOUSING. BALANCING CONTRACTOR TO ADJUST AT COMPLETION OF JOB.	
FR1 HEATING: FURNACE (1 HP)	120V 13.5A 1PH 2W MECH. SUB #12 COPPER #12 COPPER #12 COPPER	0.50" EMT #12 COPPER #12 COPPER #12 COPPER	20 CIRCUIT BREAKER PANELBOARD	---	NONE REQUIRED	NONFUSED SWITCH NEMA 1 ELECTRICAL SUB ELECTRICAL SUB	THERMOSTAT NEMA 1 MECH. SUB CONTROL SUB	FR1: HEATING: FURNACE (1 HP) PROVIDE 1/2" EMT CONDUIT TO FURNACE FROM CONTROLS. PROVIDE A 40 VA CONTROL POWER TRANSFORMER. MOUNT PER MECH CONTRACTOR. INTERLOCK WITH CU-1 PER MANUFACTURER'S SHOP DRAWINGS.	
FR2 HEATING: FURNACE (3/4 HP)	120V 13.2A 1PH 2W MECH. SUB #12 COPPER #12 COPPER #12 COPPER	0.50" EMT #12 COPPER #12 COPPER #12 COPPER	20 CIRCUIT BREAKER PANELBOARD	---	NONE REQUIRED	NONFUSED SWITCH NEMA 1 ELECTRICAL SUB ELECTRICAL SUB	THERMOSTAT NEMA 1 MECH. SUB CONTROL SUB	FR2: HEATING: FURNACE (3/4 HP) PROVIDE 1/2" EMT CONDUIT TO FURNACE FROM CONTROLS. PROVIDE A 40 VA CONTROL POWER TRANSFORMER. MOUNT PER MECH CONTRACTOR. INTERLOCK WITH CU-2 PER MANUFACTURER'S SHOP DRAWINGS.	
HP1A COOLING: SPLIT SYSTEM FITNESS #132	208V 13.8A 1PH 2W MECH. SUB #12 COPPER #12 COPPER #12 COPPER	0.50" EMT #12 COPPER NO NEUTRAL #12 COPPER	20 CIRCUIT BREAKER PANELBOARD	---	NONE REQUIRED	NONFUSED SWITCH NEMA 1 ELECTRICAL SUB ELECTRICAL SUB	THERMOSTAT NEMA 1 MECH. SUB ELECTRICAL SUB	HP1A: COOLING: SPLIT SYSTEM FITNESS #132 WIRE CONDENSER (HP1B) AND EVAPORATOR (HP1A) TOGETHER PER MANUFACTURER'S SHOP DRAWINGS.	
IR1 HEATING: GAS INFRARED HEATER	120V 1.0A 1PH 2W MECH. SUB #12 COPPER #12 COPPER #12 COPPER	0.50" EMT #12 COPPER #12 COPPER #12 COPPER	20 CIRCUIT BREAKER PANELBOARD	---	NONE REQUIRED	NONFUSED SWITCH NEMA 1 ELECTRICAL SUB ELECTRICAL SUB	THERMOSTAT NEMA 1 MECH. SUB ELECTRICAL SUB	IR1: HEATING: GAS INFRARED HEATER UNIT IR2, IR3 AND IR4 SIMILAR TO IR1.	
IR2 HEATING: GAS INFRARED HEATER	120V 1.0A 1PH 2W MECH. SUB #12 COPPER #12 COPPER #12 COPPER	0.50" EMT #12 COPPER #12 COPPER #12 COPPER	20 CIRCUIT BREAKER PANELBOARD	---	NONE REQUIRED	NONFUSED SWITCH NEMA 1 ELECTRICAL SUB ELECTRICAL SUB	THERMOSTAT NEMA 1 MECH. SUB ELECTRICAL SUB	IR2: HEATING: GAS INFRARED HEATER	
IR3 HEATING: GAS INFRARED HEATER	120V 1.0A 1PH 2W MECH. SUB #12 COPPER #12 COPPER #12 COPPER	0.50" EMT #12 COPPER #12 COPPER #12 COPPER	20 CIRCUIT BREAKER PANELBOARD	---	NONE REQUIRED	NONFUSED SWITCH NEMA 1 ELECTRICAL SUB ELECTRICAL SUB	THERMOSTAT NEMA 1 MECH. SUB ELECTRICAL SUB	IR3: HEATING: GAS INFRARED HEATER	
IR4 HEATING: GAS INFRARED HEATER	120V 1.0A 1PH 2W MECH. SUB #12 COPPER #12 COPPER #12 COPPER	0.50" EMT #12 COPPER #12 COPPER #12 COPPER	20 CIRCUIT BREAKER PANELBOARD	---	NONE REQUIRED	NONFUSED SWITCH NEMA 1 ELECTRICAL SUB ELECTRICAL SUB	THERMOSTAT NEMA 1 MECH. SUB ELECTRICAL SUB	IR4: HEATING: GAS INFRARED HEATER	
PC1 PUMP: DOMESTIC HW CIRCULATION	120V 3.2A 1PH 2W MECH. SUB #12 COPPER #12 COPPER #12 COPPER	0.50" EMT #12 COPPER #12 COPPER #12 COPPER	20 CIRCUIT BREAKER PANELBOARD	---	NONE REQUIRED	PLUG-IN NEMA 1 ELECTRICAL SUB ELECTRICAL SUB	AQUASTAT NEMA 1 MECH. SUB	PC1: PUMP: DOMESTIC HW CIRCULATION	
SS1A COOLING: SPLIT SYSTEM ITAV 111	208V 16.5A 1PH 2W MECH. SUB #12 COPPER #12 COPPER #12 COPPER	0.50" EMT #12 COPPER NO NEUTRAL #12 COPPER	20 CIRCUIT BREAKER PANELBOARD	---	NONE REQUIRED	NONFUSED SWITCH NEMA 3R ELECTRICAL SUB ELECTRICAL SUB	THERMOSTAT NEMA 1 MECH. SUB ELECTRICAL SUB	SS1A: COOLING: SPLIT SYSTEM ITAV 111 WIRE CONDENSER (SS1B) AND EVAPORATOR (SS1A) TOGETHER PER MANUFACTURER'S SHOP DRAWINGS.	
WH1 GAS FIRED WATER HEATER	120V 1.7A 1PH 2W MECH. SUB #12 COPPER #12 COPPER #12 COPPER	0.50" EMT #12 COPPER #12 COPPER #12 COPPER	20 CIRCUIT BREAKER PANELBOARD	---	NONE REQUIRED	PLUG-IN NEMA 1 ELECTRICAL SUB ELECTRICAL SUB	THERMOSTAT NEMA 1 MECH. SUB CONTROL SUB	WH1: GAS FIRED WATER HEATER	



WIRING DEVICE SCHEDULE						
DEVICE DESCRIPTION	MANUFACTURER CATALOG NUMBER ALTERNATE MFG ALTERNATE MFG	ENVIRONMENT	BOX SIZE MATERIAL MOUNTING DEPTH / CONNECTIONS	PLASTER RING MOUNTING SIZE OPENING SIZE COLLAR DEPTH COLLAR MATERIAL	COVER ENVIRONMENT OPENING COLOR	ASSEMBLY DESCRIPTION
D11 DIMMER: FLOURESCENT 2-WIRE	LEVITON AWSMG-XDW LUTRON PASS & SEYMOUR	ABOVE 50F & DRY WHITE 2000W / --- 120/277V	2 GANG PRESSED STEEL FLUSH 3-1/2" D / 1/2" & 3/4" KO'S	NOT REQUIRED	ABOVE 50F & DRY 302 STAINLESS STEEL DECORA SILVER	D11: DIMMER: FLOURESCENT 2-WIRE DEVICE GRADE: COMMERCIAL DEVICE STYLE: DECORA FAR SIDE BOX SUPPORT: REQUIRED 3-WAY APPLICATIONS: USE #AWSRG-00W REMOTE SOLID STATE TRIAC SQUARE LAW DIMMING SURGE & ELECTROSTATIC DISCHARGE PROTECTION WITH SWITCH RFI FILTER LOCATION INDICATOR COORDINATE DIMMER WITH FUTURE BALLAST.
D12 DIMMER: FLOURESCENT 3-WIRE	LEVITON AWSMG-HDW LUTRON PASS & SEYMOUR	ABOVE 50F & DRY WHITE 2000W / --- 120/277V	1 GANG PRESSED STEEL FLUSH 3-1/2" D / 1/2" & 3/4" KO'S	NOT REQUIRED	ABOVE 50F & DRY 302 STAINLESS STEEL DECORA SILVER	D12: DIMMER: FLOURESCENT 3-WIRE DEVICE GRADE: COMMERCIAL DEVICE STYLE: DECORA FAR SIDE BOX SUPPORT: REQUIRED 3-WAY APPLICATIONS: USE #AWSRG-00W REMOTE SOLID STATE TRIAC SQUARE LAW DIMMING SURGE & ELECTROSTATIC DISCHARGE PROTECTION WITH SWITCH RFI FILTER LOCATION INDICATOR
IN1 DISCONNECT: NON-FUSED	SQUARE D HU361 SIEMENS G.E.	ABOVE 32F & DRY GRAY --- / 30A 3PHASE 600V	6.5" W X 14.6" H PRESSED STEEL SURFACE 4.88" D / 1/2" & 3/4" KO'S	---	---	IN1: DISCONNECT: NON-FUSED DEVICE GRADE: INDUSTRIAL DEVICE POLES: 3-POLE 3-WIRE WITH NEUTRAL NEMA ENCLOSURE: TYPE 1
IN2 DISCONNECT: NON-FUSED	SQUARE D HU362 SIEMENS G.E.	ABOVE 32F & DRY GRAY --- / 60A 3PHASE 600V	9" W X 17.5" H PRESSED STEEL SURFACE 6.38" D / 1/2" & 3/4" KO'S	---	---	IN2: DISCONNECT: NON-FUSED DEVICE GRADE: INDUSTRIAL DEVICE POLES: 3-POLE 3-WIRE WITH NEUTRAL NEMA ENCLOSURE: TYPE 1
IN3 DISCONNECT: NON-FUSED	SQUARE D DU321RB SIEMENS G.E.	-20F TO 120F & WET GRAY --- / 30A 3PHASE 240V	7.25" W X 9.63" H PRESSED STEEL SURFACE 3.75" D / 1/2" & 3/4" KO'S	---	---	IN3: DISCONNECT: NON-FUSED DEVICE GRADE: INDUSTRIAL DEVICE POLES: 3-POLE 3-WIRE WITH NEUTRAL NEMA ENCLOSURE: TYPE 3R
IN4 DISCONNECT: NON-FUSED	SQUARE D DU322RB SIEMENS G.E.	-20F TO 120F & WET GRAY --- / 60A 3PHASE 240V	7.25" W X 9.63" H PRESSED STEEL SURFACE 3.75" D / 1/2" & 3/4" KO'S	---	---	IN4: DISCONNECT: NON-FUSED DEVICE GRADE: INDUSTRIAL DEVICE POLES: 3-POLE 3-WIRE WITH NEUTRAL NEMA ENCLOSURE: TYPE 3R
JP1 JUNCTION BOX: POWER	WIRING DEVICE NOT REQUIRED	ABOVE 50F & DRY NA / NA 120-480V	2 GANG PRESSED STEEL FLUSH OR SURFACE 2-1/8" / 1/2" & 3/4" KO'S	2 GANG 1 GANG 5/8" PRESSED STEEL	ABOVE 32F & DRY 302 STAINLESS STEEL BLANK SILVER	JP1: JUNCTION BOX: POWER FAR SIDE BOX SUPPORT: REQUIRED NEMA ENCLOSURE: TYPE 1
JS1 JUNCTION BOX: SIGNAL	WIRING DEVICE NOT REQUIRED	ABOVE 50F & DRY NA / NA 120-480V	2 GANG PRESSED STEEL FLUSH OR SURFACE 2-1/8" / 1/2" & 3/4" & 1" KO'S	2 GANG 1 GANG 5/8" PRESSED STEEL	ABOVE 32F & DRY 302 STAINLESS STEEL BLANK SILVER	JS1: JUNCTION BOX: SIGNAL FAR SIDE BOX SUPPORT: REQUIRED NEMA ENCLOSURE: TYPE 1
MP1 MULTIPORT	MULTIPORT JACKS BY OWNER	ABOVE 50F & DRY --- / ---	2 GANG PRESSED STEEL FLUSH --- / 1" & 1-1/4" KO'S	2 GANG 1 GANG 5/8" PRESSED STEEL	ABOVE 50F & DRY COVER AND JACKS BY OWNER	MP1: MULTIPORT DEVICE GRADE: COMMERCIAL FAR SIDE BOX SUPPORT: REQUIRED BOX TO BE 5" X 5" X DEEP SIEMON #BB5-03 WITH 5/8" 2 GANG PLASTER RING SIEMON #BE5-2C.
OC1 OCC SENSOR	LEVITON OSC25-MDW HUBBELL PASS & SEYMOUR	ABOVE 50F & DRY WHITE 1200W / --- 120V	2 GANG PRESSED STEEL FLUSH 2-1/8" / 1/2" & 3/4" KO'S	2 GANG 1 GANG 5/8" PRESSED STEEL	SEPARATE COVER NOT REQUIRED	OC1: OCC SENSOR DEVICE GRADE: COMMERCIAL DEVICE STYLE: DECORA MOUNTING: CEILING COVERAGE: 2000 SQUARE FEET FIELD OF VIEW: 360 DEGREES AMBIENT LIGHT OVERRIDE: PHOTOCCELL POWER RELAY: OSP20-000
OS1 OCC SENSOR	LEVITON OSSMT-MD HUBBELL PASS & SEYMOUR	ABOVE 50F & DRY WHITE 1200W / --- 120V	2 GANG PRESSED STEEL FLUSH 2-1/8" / 1/2" & 3/4" KO'S	2 GANG 1 GANG 5/8" PRESSED STEEL	ABOVE 50F & DRY 302 STAINLESS STEEL DECORA SILVER	OS1: OCC SENSOR DEVICE GRADE: COMMERCIAL DEVICE STYLE: DECORA FAR SIDE BOX SUPPORT: REQUIRED MOUNTING: WALL COVERAGE: 2400 SQUARE FEET FIELD OF VIEW: ADJUSTABLE 32 TO 180 DEGREES AMBIENT LIGHT OVERRIDE: PHOTOCCELL
RD1 RECEPTACLE: DUPLEX	LEVITON 16242 PASS & SEYMOUR HUBBELL	ABOVE 32F & DRY WHITE --- / 15A 125V	2 GANG PRESSED STEEL FLUSH 2-1/8" / 1/2" & 3/4" KO'S	2 GANG 1 GANG 5/8" PRESSED STEEL	ABOVE 32F & DRY 302 STAINLESS STEEL DECORA SILVER	RD1: RECEPTACLE: DUPLEX DEVICE GRADE: COMMERCIAL DEVICE STYLE: DECORA DEVICE NEMA CONFIGURATION: 5-15R DEVICE POLES: 2-POLE 3-WIRE GRND FAR SIDE BOX SUPPORT: REQUIRED NEMA ENCLOSURE: TYPE 1
RD2 RECEPTACLE: DUPLEX	LEVITON 16242 PASS & SEYMOUR HUBBELL	ABOVE 32F & DRY WHITE --- / 20A 125V	2 GANG PRESSED STEEL FLUSH 2-1/8" / 1/2" & 3/4" KO'S	2 GANG 1 GANG 5/8" PRESSED STEEL	ABOVE 32F & DRY 302 STAINLESS STEEL DECORA SILVER	RD2: RECEPTACLE: DUPLEX DEVICE GRADE: COMMERCIAL DEVICE STYLE: DECORA DEVICE NEMA CONFIGURATION: 5-20R DEVICE POLES: 2-POLE 3-WIRE GRND FAR SIDE BOX SUPPORT: REQUIRED NEMA ENCLOSURE: TYPE 1
RD3 RECEPTACLE: DUPLEX	LEVITON 16242-E PASS & SEYMOUR HUBBELL	ABOVE 32F & DRY BLACK --- / 15A 125V	2 GANG PRESSED STEEL FLUSH 2-1/8" / 1/2" & 3/4" KO'S	2 GANG 1 GANG 5/8" PRESSED STEEL	ABOVE 32F & DRY 302 STAINLESS STEEL DECORA SILVER	RD3: RECEPTACLE: DUPLEX DEVICE GRADE: COMMERCIAL DEVICE STYLE: DECORA DEVICE NEMA CONFIGURATION: 5-15R DEVICE POLES: 2-POLE 3-WIRE GRND FAR SIDE BOX SUPPORT: REQUIRED NEMA ENCLOSURE: TYPE 1
RG1 RECEPTACLE: GFCI	LEVITON 7599 PASS & SEYMOUR HUBBELL	ABOVE 32F & DRY WHITE --- / 15A 125V	2 GANG PRESSED STEEL FLUSH 2-1/8" / 1/2" & 3/4" KO'S	2 GANG 1 GANG 5/8" PRESSED STEEL	ABOVE 32F & DRY 302 STAINLESS STEEL DECORA SILVER	RG1: RECEPTACLE: GFCI DEVICE GRADE: COMMERCIAL DEVICE STYLE: DECORA DEVICE NEMA CONFIGURATION: 5-15R DEVICE POLES: 2-POLE 3-WIRE GRND FAR SIDE BOX SUPPORT: REQUIRED NEMA ENCLOSURE: TYPE 1 BUTTON COLOR TO MATCH DEVICE COLOR.
RG2 RECEPTACLE: GFCI	LEVITON 7599 PASS & SEYMOUR HUBBELL	ABOVE 32F & DRY WHITE --- / 20A 125V	2 GANG PRESSED STEEL FLUSH 2-1/8" / 1/2" & 3/4" KO'S	2 GANG 1 GANG 5/8" PRESSED STEEL	ABOVE 32F & DRY 302 STAINLESS STEEL DECORA SILVER	RG2: RECEPTACLE: GFCI DEVICE GRADE: COMMERCIAL DEVICE STYLE: DECORA DEVICE NEMA CONFIGURATION: 5-20R DEVICE POLES: 2-POLE 3-WIRE GRND FAR SIDE BOX SUPPORT: REQUIRED NEMA ENCLOSURE: TYPE 1 BUTTON COLOR TO MATCH DEVICE COLOR.
RG3 RECEPTACLE: GFCI	LEVITON 7899-E PASS & SEYMOUR HUBBELL	ABOVE 32F & DRY BLACK --- / 20A 125V	2 GANG PRESSED STEEL FLUSH 2-1/8" / 1/2" & 3/4" KO'S	2 GANG 1 GANG 5/8" PRESSED STEEL	ABOVE 32F & DRY 302 STAINLESS STEEL DECORA SILVER	RG3: RECEPTACLE: GFCI DEVICE GRADE: COMMERCIAL DEVICE STYLE: DECORA DEVICE NEMA CONFIGURATION: 5-20R DEVICE POLES: 2-POLE 3-WIRE GRND FAR SIDE BOX SUPPORT: REQUIRED NEMA ENCLOSURE: TYPE 1 BUTTON COLOR TO MATCH DEVICE COLOR.
RO1 RECEPTACLE: OUTDOOR	LEVITON W7599 PASS & SEYMOUR HUBBELL	-20F TO 120F & WET WHITE --- / 15A 125V	2 GANG PRESSED STEEL FLUSH 2-1/8" / 1/2" & 3/4" KO'S	2 GANG 1 GANG 5/8" PRESSED STEEL	-20F TO 120F & WET CAST ALUMINUM DECORA SILVER	RO1: RECEPTACLE: OUTDOOR DEVICE GRADE: COMMERCIAL DEVICE STYLE: DECORA DEVICE NEMA CONFIGURATION: 5-15R DEVICE POLES: 2-POLE 3-WIRE GRND FAR SIDE BOX SUPPORT: REQUIRED NEMA ENCLOSURE: TYPE 1 GFCI PROVIDE LOCKABLE METAL IN-USE COVER. WIRING DEVICE TO BE CORROSION RESISTANT.
RQ1 RECEPTACLE: QUAD	LEVITON 16242 PASS & SEYMOUR HUBBELL	ABOVE 32F & DRY WHITE --- / 15A 125V	2 GANG PRESSED STEEL FLUSH 2-1/8" / 1/2" & 3/4" KO'S	2 GANG 2 GANG 5/8" PRESSED STEEL	ABOVE 32F & DRY 302 STAINLESS STEEL DECORA SILVER	RQ1: RECEPTACLE: QUAD DEVICE GRADE: COMMERCIAL DEVICE STYLE: DECORA DEVICE NEMA CONFIGURATION: 5-15R DEVICE POLES: 2-POLE 3-WIRE GRND FAR SIDE BOX SUPPORT: REQUIRED NEMA ENCLOSURE: TYPE 1
RQ2 RECEPTACLE: QUAD	LEVITON 16242-E PASS & SEYMOUR HUBBELL	ABOVE 32F & DRY BLACK --- / 15A 125V	2 GANG PRESSED STEEL FLUSH 2-1/8" / 1/2" & 3/4" KO'S	2 GANG 2 GANG 5/8" PRESSED STEEL	ABOVE 32F & DRY 302 STAINLESS STEEL DECORA SILVER	RQ2: RECEPTACLE: QUAD DEVICE GRADE: COMMERCIAL DEVICE STYLE: DECORA DEVICE NEMA CONFIGURATION: 5-15R DEVICE POLES: 2-POLE 3-WIRE GRND FAR SIDE BOX SUPPORT: REQUIRED NEMA ENCLOSURE: TYPE 1
RS1 RECEPTACLE: SINGLE	LEVITON 5374 PASS & SEYMOUR HUBBELL	ABOVE 32F & DRY BLACK --- / 60A 250V	2 GANG PRESSED STEEL SURFACE 2-1/8" / 1/2" & 3/4" KO'S	2 GANG 1 GANG 5/8" PRESSED STEEL	ABOVE 32F & DRY STAMPED STEEL ROUND SILVER	RS1: RECEPTACLE: SINGLE DEVICE GRADE: COMMERCIAL DEVICE STYLE: ROUND DEVICE NEMA CONFIGURATION: 6-50R DEVICE POLES: 2-POLE 3-WIRE GRND FAR SIDE BOX SUPPORT: REQUIRED NEMA ENCLOSURE: TYPE 1 WELDING RECEPTACLE.
RS2 RECEPTACLE: SINGLE LOCKING	LEVITON 2310 PASS & SEYMOUR HUBBELL	ABOVE 32F & DRY BLACK --- / 20A 125V	2 GANG PRESSED STEEL FLUSH 2-1/8" / 1/2" & 3/4" KO'S	1 GANG 1 GANG 5/8" PRESSED STEEL	ABOVE 32F & DRY 302 STAINLESS STEEL DECORA SILVER	RS2: RECEPTACLE: SINGLE LOCKING DEVICE GRADE: COMMERCIAL DEVICE STYLE: OVAL DEVICE NEMA CONFIGURATION: LR-20R DEVICE POLES: 2-POLE 3-WIRE GRND FAR SIDE BOX SUPPORT: REQUIRED NEMA ENCLOSURE: TYPE 1 MATCH PLUG CONNECTOR TO OUTLET.
RS3 RECEPTACLE: SINGLE	LEVITON 9480 PASS & SEYMOUR HUBBELL	ABOVE 32F & DRY BLACK --- / 60A 250V	2 GANG PRESSED STEEL SURFACE 2-1/8" / 1/2" & 3/4" KO'S	2 GANG 1 GANG 5/8" PRESSED STEEL	ABOVE 32F & DRY STAMPED STEEL ROUND SILVER	RS3: RECEPTACLE: SINGLE DEVICE GRADE: COMMERCIAL DEVICE STYLE: ROUND DEVICE NEMA CONFIGURATION: 14-60R DEVICE POLES: 2-POLE 3-WIRE GRND FAR SIDE BOX SUPPORT: REQUIRED NEMA ENCLOSURE: TYPE 1 COMPRESSOR RECEPTACLE.
RS4 RECEPTACLE: SINGLE LOCKING	LEVITON 2613 PASS & SEYMOUR HUBBELL	ABOVE 32F & DRY BLACK --- / 30A 125V	2 GANG PRESSED STEEL FLUSH 2-1/8" / 1/2" & 3/4" KO'S	1 GANG 1 GANG 5/8" PRESSED STEEL	ABOVE 32F & DRY 302 STAINLESS STEEL DECORA SILVER	RS4: RECEPTACLE: SINGLE LOCKING DEVICE GRADE: COMMERCIAL DEVICE STYLE: OVAL DEVICE NEMA CONFIGURATION: 5-30R DEVICE POLES: 2-POLE 3-WIRE GRND FAR SIDE BOX SUPPORT: REQUIRED NEMA ENCLOSURE: TYPE 1 PROVIDE RECEPTACLE AT END OF 104 SO CABLE INSIDE NETWORK RACK FOR UPS.
S11 SWITCH: SPST	LEVITON 5891-2 PASS & SEYMOUR HUBBELL	ABOVE 32F & DRY WHITE --- / 15A 120/277V	2 GANG PRESSED STEEL FLUSH 2-1/8" / 1/2" & 3/4" KO'S	2 GANG 1 GANG 5/8" PRESSED STEEL	ABOVE 32F & DRY 302 STAINLESS STEEL DECORA SILVER	S11: SWITCH: SPST DEVICE GRADE: COMMERCIAL DEVICE STYLE: DECORA FAR SIDE BOX SUPPORT: REQUIRED NEMA ENCLOSURE: TYPE 1
S12 SWITCH: SPST	LEVITON CSB1-20 PASS & SEYMOUR HUBBELL	-20F TO 120F & WET WHITE --- / 20A 120/277V	2 GANG CAST ALUMINUM SURFACE 2-1/8" / 3/4" THREADED HUB	---	-20F TO 120F & WET PAINTED STEEL TOGGLE SILVER	S12: SWITCH: SPST DEVICE GRADE: COMMERCIAL DEVICE STYLE: TOGGLE NEMA ENCLOSURE: TYPE 3R EQUIPMENT DISCONNECT SWITCH INSTALLED OUT DOORS WITH WEATHERPROOF COVER.
S13 SWITCH: SPST	LEVITON CSB1-20 PASS & SEYMOUR HUBBELL	ABOVE 50F & DRY WHITE --- / 20A 120/277V	2 GANG CAST ALUMINUM SURFACE 2-1/8" / 1/2" & 3/4" & 1" KO'S	---	ABOVE 50F & DRY PAINTED STEEL TOGGLE SILVER	S13: SWITCH: SPST DEVICE GRADE: COMMERCIAL DEVICE STYLE: TOGGLE NEMA ENCLOSURE: TYPE 1 EQUIPMENT DISCONNECT SWITCH.
S1T TIMER SWITCH: SPST	LEVITON LT802-1L-W PASS & SEYMOUR HUBBELL	ABOVE 32F & DRY WHITE --- / 20A 120/277V	2 GANG PRESSED STEEL FLUSH 2-1/8" / 1/2" & 3/4" KO'S	2 GANG 1 GANG 5/8" PRESSED STEEL	ABOVE 32F & DRY 302 STAINLESS STEEL DECORA SILVER	S1T: TIMER SWITCH: SPST DEVICE GRADE: COMMERCIAL DEVICE STYLE: DECORA FAR SIDE BOX SUPPORT: REQUIRED NEMA ENCLOSURE: TYPE 1 BUTTONS FOR 24, 5, 1 & 2 HOURS.
S21 SWITCH: DPST	LEVITON 5602-2 PASS & SEYMOUR HUBBELL	ABOVE 32F & DRY WHITE --- / 15A 120/277V	2 GANG PRESSED STEEL FLUSH 2-1/8" / 1/2" & 3/4" KO'S	2 GANG 1 GANG 5/8" PRESSED STEEL	ABOVE 32F & DRY 302 STAINLESS STEEL DECORA SILVER	S21: SWITCH: DPST DEVICE GRADE: COMMERCIAL DEVICE STYLE: DECORA FAR SIDE BOX SUPPORT: REQUIRED NEMA ENCLOSURE: TYPE 1
S31 SWITCH: THREE WAY	LEVITON 5693-2 PASS & SEYMOUR HUBBELL	ABOVE 32F & DRY WHITE --- / 15A 120/277V	2 GANG PRESSED STEEL FLUSH 2-1/8" / 1/2" & 3/4" KO'S	2 GANG 1 GANG 5/8" PRESSED STEEL	ABOVE 32F & DRY 302 STAINLESS STEEL DECORA SILVER	S31: SWITCH: THREE WAY DEVICE GRADE: COMMERCIAL DEVICE STYLE: DECORA FAR SIDE BOX SUPPORT: REQUIRED NEMA ENCLOSURE: TYPE 1
SL1 SWITCH: SPST - LOW VOLTAGE	DOUGLAS WR9501/WN3700 WATTS TOPPER	ABOVE 32F & DRY IVORY --- / 1A 24V	2 GANG PRESSED STEEL FLUSH 2-1/8" / 1/2" & 3/4" KO'S	2 GANG 1 GANG 5/8" PRESSED STEEL	ABOVE 32F & DRY 302 STAINLESS STEEL DECORA SILVER	SL1: SWITCH: SPST - LOW VOLTAGE DEVICE GRADE: COMMERCIAL DEVICE STYLE: PUSH BUTTON FAR SIDE BOX SUPPORT: REQUIRED NEMA ENCLOSURE: TYPE 1

- GENERAL NOTES:
- DEVICES BY MANUFACTURERS WHICH ARE NOT LISTED IN THE SCHEDULE REQUIRE 5-DAY WRITTEN PRIOR APPROVAL.
 - PROVIDE DEDICATED NEUTRALS FOR ALL DIMMER CIRCUITS.
 - CONFIRM SPECIFIED DIMMER IS PROPER FOR LAMP, BALLAST, DRIVER OR TRANSFORMER, AND LOAD PRIOR TO ORDERING DIMMER.
 - CONNECT GROUND WIRE TO DEVICE GROUNDING SCREW EVEN IF DEVICE IS LABELED SELF-GROUNDING.
 - FAR SIDE BOX SUPPORTS ARE NOT REQUIRED IN WOOD FRAMED BUILDINGS.

LC - PANELBOARD											
RATINGS:			REQUIRED OPTIONS & ACCESSORIES:			REQUIRED OPTIONS & ACCESSORIES:			REQUIRED OPTIONS & ACCESSORIES:		
208/120 VOLTS 3 PHASE 4 WIRE NEMA1 ENCLOSURE 200 AMP BUS			COPPER BUS SURFACE SINGLE TUB MOUNTING SERIES RATED			GROUND BUS					
LOAD TYPE AND CIRCUIT DESCRIPTION	#/VA	AMPS									
EQUIPMENT: D01 OPERATOR: OVERHEAD DOOR (3/4 HP)	1	15									
EQUIPMENT: D01 OPERATOR: OVERHEAD DOOR (3/4 HP)	3	15									
EQUIPMENT: D01 OPERATOR: OVERHEAD DOOR (3/4 HP)	5	15									
EQUIPMENT: AF1 CEILING AIR FILTER	7	20									
EQUIPMENT: AF2 CEILING AIR FILTER	9	20									
EQUIPMENT: AF3 CEILING AIR FILTER	11	20									
SPARE: UNALLOCATED FUTURE	13	20									
SPARE: UNALLOCATED FUTURE	15	20									
SPARE: UNALLOCATED FUTURE	17	20									
SPARE: UNALLOCATED FUTURE	19	20									
SPARE: UNALLOCATED FUTURE	21	20									
SPARE: UNALLOCATED FUTURE	23	20									
SPARE: UNALLOCATED FUTURE	25	20									
SPARE: UNALLOCATED FUTURE	27	20									
SPARE: UNALLOCATED FUTURE	29	20									
SPACE: ---	31	0									
SPACE: ---	33	0									
SPACE: ---	35	0									
SPACE: ---	37	0									
SPACE: ---	39	0									
SPACE: ---	41	0									
SPACE: ---	43	0									
SPACE: ---	45	0									
SPACE: ---	47	0									
LOADS BY TYPE (KVA)	CONNECTED	DEMAND	A	B	C	TOTAL	LOAD BY TYPE (KVA)	CONNECTED	DEMAND		
LIGHTING	0.0	0.0	CONNECTED AMPS: 107.2	106.8	106.8	106.9	KITCHEN	0.0	0.0		
RECEPTACLE	0.0	0.0	DEMAND AMPS: 71.7	66.3	66.3	68.1	PROCESS	0.0	0.0		
MOTOR - HEATING	0.0	0.0	CONNECTED KVA: 12.9	12.8	12.8	38.5	MISCELLANEOUS	4.8	2.4		
MOTOR - COOLING	0.0	0.0	DEMAND KVA: 8.6	8.0	8.0	24.5	SPACE	0.0	0.0		
MOTOR - YR RND	4.8	4.8					SPARE	24.0	12.0		
ELECTRIC HEAT	5.0	5.0					LARGEST MOTOR	1.6	0.4		
BALANCE %:			A-B	B-C	C-A						
			99.6	0.0	99.6						



SEISMIC SUPPORT OF PANELBOARDS
NO SCALE

CHAMBERLIN ARCHITECTS
437 Main St.
Grand Junction, Colorado 81501
T. 970.242.6804
725 Saint Joseph St., Suite B1
Rapid City, South Dakota 57701
T. 605.355.6804
www.chamberlinarchitects.com

GVCES
GRAND VALLEY ENGINEERING SOLUTIONS
ELECTRICAL CONSULTING ENGINEERS
2961 CIRCLE HAWK COURT GRAND JUNCTION, CO 81503
(970) 256-0393 FAX: (970) 249-5319

**ORCHARD MESA
FIRE STATION #4**

GRAND JUNCTION, COLORADO

SCHEDULES

NO: ISSUED FOR: DATE:

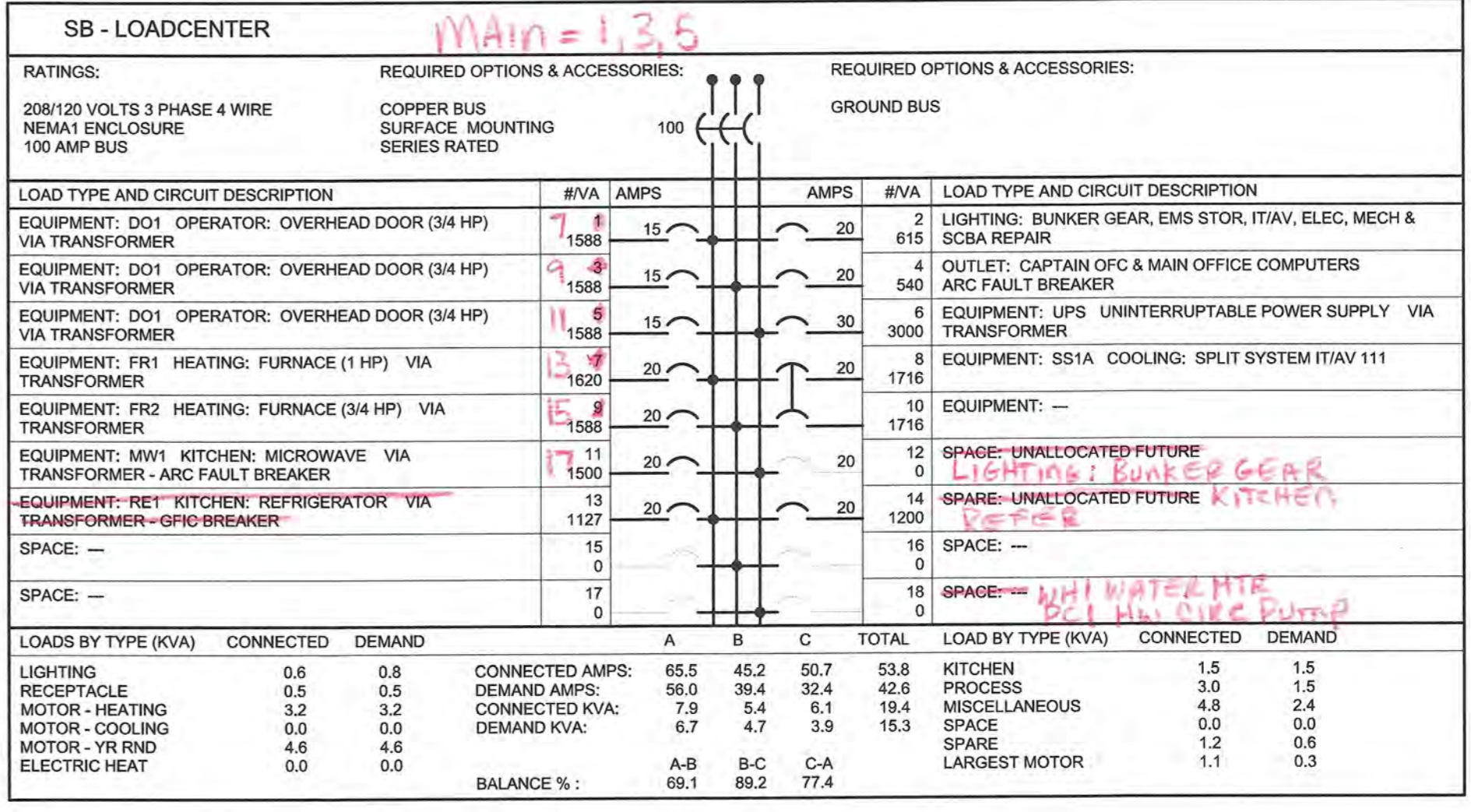
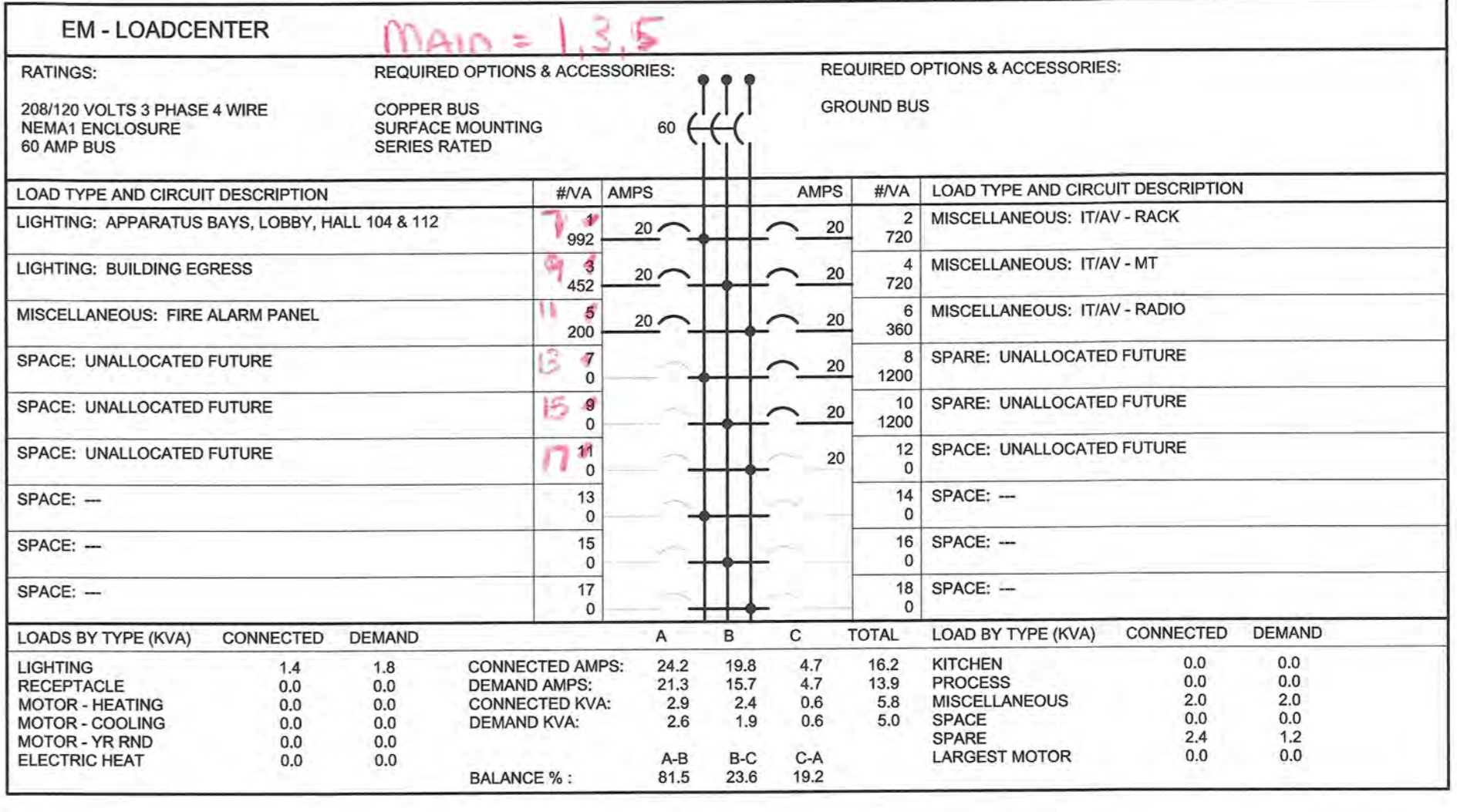
PROJECT STATUS: 100% CD

DRAWN BY: KLT CHECKED BY: WLM

DATE: 04/10/2015 SHEET NO:

PROJECT NO: 1443/140330 **E504**

GENERAL EQUIPMENT SCHEDULE								
EQUIPMENT DESIGNATION	RATINGS SUPPLIED BY INSTALLED BY WIRING	BRANCH CIRCUIT RACEWAY PHASE WIRE NEUTRAL WIRE GROUND WIRE	OVERCURRENT DEVICE TYPE DEVICE LOCATION	CONTROLLER TYPE ENCLASURE SUPPLIED BY INSTALLED BY WIRING	DISCONNECT @ CONTROLLER TYPE ENCLASURE SUPPLIED BY INSTALLED BY WIRING	DISCONNECT @ EQUIPMENT TYPE ENCLASURE SUPPLIED BY INSTALLED BY WIRING	CONTROL DEVICE TYPE ENCLASURE SUPPLIED BY INSTALLED BY WIRING	EQUIPMENT DESIGNATION & DESCRIPTION
BC1 MISC: GENERATOR BATTERY CHARGER	120V 4.2A 1PH 2W EQUIP. MFGR EQUIP. MFGR ELECTRICAL SUB	0.50" EMT #12 COPPER #12 COPPER #12 COPPER	20 CIRCUIT BREAKER PANELBOARD	NONE REQUIRED	NONE REQUIRED	PLUG-IN NEMA 3R ELECTRICAL SUB ELECTRICAL SUB	NONE REQUIRED	BC1: MISC: GENERATOR BATTERY CHARGER
BH1 HEATING: GENERATOR BLOCK HEATER	208V 4.8A 1PH 2W EQUIP. MFGR EQUIP. MFGR ELECTRICAL SUB	0.50" EMT #12 COPPER NO NEUTRAL #12 COPPER	20 CIRCUIT BREAKER PANELBOARD	NONE REQUIRED	NONE REQUIRED	PLUG-IN NEMA 3R ELECTRICAL SUB ELECTRICAL SUB	NONE REQUIRED	BH1: HEATING: GENERATOR BLOCK HEATER
CD1 MISC: GAS CLOTHER DRYER	120V 0.8A 1PH 2W OWNER OWNER ELECTRICAL SUB	0.50" EMT #12 COPPER #12 COPPER #12 COPPER	20 CIRCUIT BREAKER PANELBOARD	NONE REQUIRED	NONE REQUIRED	PLUG-IN NEMA 1 ELECTRICAL SUB ELECTRICAL SUB	NONE REQUIRED	CD1: MISC: GAS CLOTHER DRYER
CM1 KITCHEN: DUAL COFFEE MAKER	120/208V 22.4A 1PH 4W OWNER OWNER ELECTRICAL SUB	0.50" EMT #10 COPPER #10 COPPER #10 COPPER	30 CIRCUIT BREAKER PANELBOARD	NONE REQUIRED	NONE REQUIRED	NR-IN PANEL	NONE REQUIRED	CM1: KITCHEN: DUAL COFFEE MAKER
CR1 SHOP: COMPRESSOR (3 HP)	208V 18.7A 1PH 2W MECH. SUB MECH. SUB ELECTRICAL SUB	0.50" EMT #12 COPPER NO NEUTRAL #12 COPPER	20 CIRCUIT BREAKER PANELBOARD	MAG CONTACTOR NEMA 1 EQUIP. MFGR EQUIP. MFGR	NR - CTRL & EQUIP	NONFUSED SWITCH NEMA 1 ELECTRICAL SUB ELECTRICAL SUB	NONE REQUIRED	CR1: SHOP: COMPRESSOR (3 HP)
CR2 SHOP: MOBILE COMPRESSOR	208V 51.1A 3PH 3W MECH. SUB MECH. SUB ELECTRICAL SUB	1.00" EMT #8 COPPER NO NEUTRAL #10 COPPER	60 CIRCUIT BREAKER PANELBOARD	MAG CONTACTOR NEMA 1 EQUIP. MFGR EQUIP. MFGR	NR - CTRL & EQUIP	PLUG-IN NEMA 1 ELECTRICAL SUB ELECTRICAL SUB	NONE REQUIRED	CR2: SHOP: MOBILE COMPRESSOR PROVIDE TWO OUTLETS IN APPARATUS BAY ON A SINGLE CIRCUIT - SEE PLANS.
CW1 MISC: CLOTHER WASHER	120V 9.4A 1PH 2W OWNER OWNER ELECTRICAL SUB	0.50" EMT #12 COPPER #12 COPPER #12 COPPER	15 CIRCUIT BREAKER PANELBOARD	NONE REQUIRED	NONE REQUIRED	PLUG-IN NEMA 1 ELECTRICAL SUB ELECTRICAL SUB	NONE REQUIRED	CW1: MISC: CLOTHER WASHER
DL1 KITCHEN: GARBAGE DISPOSAL (3/4 HP)	120V 13.2A 1PH 2W PLUMBING SUB PLUMBING SUB ELECTRICAL SUB	0.50" EMT #12 COPPER #12 COPPER #12 COPPER	20 CIRCUIT BREAKER PANELBOARD	NONE REQUIRED	NONE REQUIRED	PLUG-IN NEMA 1 ELECTRICAL SUB ELECTRICAL SUB	SWITCH NEMA 1 ELECTRICAL SUB ELECTRICAL SUB	DL1: KITCHEN: GARBAGE DISPOSAL (3/4 HP)
DO1 OPERATOR: OVERHEAD DOOR (3/4 HP)	120V 13.2A 1PH 2W GENERAL GENERAL ELECTRICAL SUB	0.50" EMT #12 COPPER #12 COPPER #12 COPPER	15 CIRCUIT BREAKER PANELBOARD	MAG CONTACTOR NEMA 1 EQUIP. MFGR EQUIP. MFGR	NONE REQUIRED	NONFUSED SWITCH NEMA 1 ELECTRICAL SUB ELECTRICAL SUB	DOOR SWITCH NEMA 1 EQUIP. MFGR EQUIP. MFGR	DO1: OPERATOR: OVERHEAD DOOR (3/4 HP) RECEIVE DOOR CONTROLS AND SAFETIES FROM GENERAL CONTRACTOR. MOUNT AND WIRE PER MANUFACTURER'S INSTALLATION DRAWINGS.
DW1 KITCHEN: DISH WASHER	120V 12.5A 1PH 2W OWNER OWNER ELECTRICAL SUB	0.50" EMT #12 COPPER #12 COPPER #12 COPPER	20 CIRCUIT BREAKER PANELBOARD	NONE REQUIRED	NONE REQUIRED	PLUG-IN NEMA 1 ELECTRICAL SUB ELECTRICAL SUB	NONE REQUIRED	DW1: KITCHEN: DISH WASHER
EX1 MISC: EXTRACTOR	208V 17.0A 3PH 3W MECH. SUB MECH. SUB ELECTRICAL SUB	0.50" EMT #12 COPPER NO NEUTRAL #12 COPPER	20 CIRCUIT BREAKER PANELBOARD	MAG CONTACTOR NEMA 1 EQUIP. MFGR EQUIP. MFGR	NR - CTRL & EQUIP	NONFUSED SWITCH NEMA 1 ELECTRICAL SUB ELECTRICAL SUB	NONE REQUIRED	EX1: MISC: EXTRACTOR
HD1 FIXED APPLIANCE: RANGE HOOD	120V 4.2A 1PH 2W OWNER OWNER ELECTRICAL SUB	0.50" EMT #12 COPPER #12 COPPER #12 COPPER	15 CIRCUIT BREAKER PANELBOARD	NONE REQUIRED	NONE REQUIRED	NONE REQUIRED	NONE REQUIRED	HD1: FIXED APPLIANCE: RANGE HOOD
IM1 MISC: ICE MAKER (3/4 HP)	120V 13.2A 1PH 2W OWNER OWNER ELECTRICAL SUB	0.50" EMT #12 COPPER #12 COPPER #12 COPPER	15 CIRCUIT BREAKER PANELBOARD	NONE REQUIRED	NONE REQUIRED	PLUG-IN NEMA 1 ELECTRICAL SUB ELECTRICAL SUB	NONE REQUIRED	IM1: MISC: ICE MAKER (3/4 HP)
IP1 PUMP: IRRIGATION (1/2 HP)	120V 9.4A 1PH 2W GENERAL GENERAL ELECTRICAL SUB	0.75" PVC #12 COPPER #12 COPPER #12 COPPER	20 CIRCUIT BREAKER DIST. PANEL	MAG CONTACTOR NEMA 3R EQUIP. MFGR EQUIP. MFGR	NONE REQUIRED	NONFUSED SWITCH NEMA 3R ELECTRICAL SUB ELECTRICAL SUB	RAINBIRD CONTROLLER NEMA 3R GENERAL ELECTRICAL SUB	IP1: PUMP: IRRIGATION (1/2 HP) COORDINATE LOCATION OF PUMP AND IRRIGATION CONTROLLER WITH LANDSCAPE SUBCONTRACTOR.
MW1 KITCHEN: MICROWAVE	120V 12.5A 1PH 2W OWNER OWNER ELECTRICAL SUB	0.50" EMT #12 COPPER #12 COPPER #12 COPPER	20 CIRCUIT BREAKER PANELBOARD	NONE REQUIRED	NONE REQUIRED	PLUG-IN NEMA 1 ELECTRICAL SUB ELECTRICAL SUB	NONE REQUIRED	MW1: KITCHEN: MICROWAVE
PJ1 OFFICE: PROJECTOR	120V 4.4A 1PH 2W GENERAL GENERAL ELECTRICAL SUB	0.50" EMT #12 COPPER #12 COPPER #12 COPPER	20 CIRCUIT BREAKER PANELBOARD	NONE REQUIRED	NONE REQUIRED	PLUG-IN NEMA 1 ELECTRICAL SUB ELECTRICAL SUB	REMOTE SWITCH NEMA 1 EQUIP. MFGR EQUIP. MFGR	PJ1: OFFICE: PROJECTOR
PR1 MISC: PRINTER	120V 1.3A 1PH 2W OWNER OWNER ELECTRICAL SUB	0.50" EMT #12 COPPER #12 COPPER #12 COPPER	20 CIRCUIT BREAKER PANELBOARD	NONE REQUIRED	NONE REQUIRED	PLUG-IN NEMA 1 ELECTRICAL SUB ELECTRICAL SUB	NONE REQUIRED	PR1: MISC: PRINTER
RA1 FIXED APPLIANCE: GAS RANGE	120V 5.6A 1PH 2W OWNER OWNER ELECTRICAL SUB	0.50" EMT #12 COPPER #12 COPPER #12 COPPER	15 CIRCUIT BREAKER PANELBOARD	NONE REQUIRED	NONE REQUIRED	PLUG-IN NEMA 1 ELECTRICAL SUB ELECTRICAL SUB	NONE REQUIRED	RA1: FIXED APPLIANCE: GAS RANGE
RE1 KITCHEN: REFRIGERATOR	120V 9.4A 1PH 2W OWNER OWNER ELECTRICAL SUB	0.50" EMT #12 COPPER #12 COPPER #12 COPPER	20 CIRCUIT BREAKER PANELBOARD	NONE REQUIRED	NONE REQUIRED	PLUG-IN NEMA 1 ELECTRICAL SUB ELECTRICAL SUB	NONE REQUIRED	RE1: KITCHEN: REFRIGERATOR
TV1 MISC: BIG SCREEN TV	120V 4.2A 1PH 2W OWNER OWNER ELECTRICAL SUB	0.50" EMT #12 COPPER #12 COPPER #12 COPPER	20 CIRCUIT BREAKER PANELBOARD	NONE REQUIRED	NONE REQUIRED	PLUG-IN NEMA 1 ELECTRICAL SUB ELECTRICAL SUB	NONE REQUIRED	TV1: MISC: BIG SCREEN TV
UH1 HEATING: ELECTRIC UNIT HEATER	208V 12.0A 1PH 2W ELECTRICAL SUB ELECTRICAL SUB	0.50" EMT #12 COPPER #12 COPPER #12 COPPER	20 CIRCUIT BREAKER PANELBOARD	MAG CONTACTOR NEMA 1 EQUIP. MFGR EQUIP. MFGR	NONE REQUIRED	NONFUSED SWITCH NEMA 1 ELECTRICAL SUB ELECTRICAL SUB	THERMOSTAT NEMA 1 ELECTRICAL SUB ELECTRICAL SUB	UH1: HEATING: ELECTRIC UNIT HEATER BUNKER GEAR 133. PROVIDE BERKO #HUH524TA, #DS-30 DISCONNECT, AND REMOTE MOUNT THERMOSTAT.
UH2 HEATING: ELECTRIC UNIT HEATER	208V 12.0A 1PH 2W ELECTRICAL SUB ELECTRICAL SUB	0.50" EMT #12 COPPER #12 COPPER #12 COPPER	20 CIRCUIT BREAKER PANELBOARD	MAG CONTACTOR NEMA 1 EQUIP. MFGR EQUIP. MFGR	NONE REQUIRED	NONFUSED SWITCH NEMA 1 ELECTRICAL SUB ELECTRICAL SUB	THERMOSTAT NEMA 1 ELECTRICAL SUB ELECTRICAL SUB	UH2: HEATING: ELECTRIC UNIT HEATER BUNKER GEAR 133. PROVIDE BERKO #HUH524TA, #DS-30 DISCONNECT, AND REMOTE MOUNT THERMOSTAT.
UPS UNINTERRUPTABLE POWER SUPPLY	120V 25.0A 1PH 2W OWNER OWNER ELECTRICAL SUB	0.50" EMT #10 COPPER #10 COPPER #10 COPPER	30 CIRCUIT BREAKER PANELBOARD	NONE REQUIRED	NONE REQUIRED	PLUG-IN NEMA 1 ELECTRICAL SUB ELECTRICAL SUB	NONE REQUIRED	UPS: UNINTERRUPTABLE POWER SUPPLY PROVIDE L5-30 TWISTLOCK RECEPTACLE. MOUNT ON 6"-0" SO CABLE FROM CEILING BOX.
WR1 SHOP: WELDER	240V 34.7A 1PH 2W OWNER OWNER ELECTRICAL SUB	0.75" EMT #8 COPPER #10 COPPER #10 COPPER	50 CIRCUIT BREAKER PANELBOARD	NONE REQUIRED	NONE REQUIRED	PLUG-IN NEMA 1 ELECTRICAL SUB ELECTRICAL SUB	NONE REQUIRED	WR1: SHOP: WELDER
XR1 MISC: COPY MACHINE	120V 10.0A 1PH 2W OWNER OWNER ELECTRICAL SUB	0.50" EMT #12 COPPER #12 COPPER #12 COPPER	20 CIRCUIT BREAKER PANELBOARD	NONE REQUIRED	NONE REQUIRED	PLUG-IN NEMA 1 ELECTRICAL SUB ELECTRICAL SUB	NONE REQUIRED	XR1: MISC: COPY MACHINE



CHAMBERLIN ARCHITECTS
ENHANCING EVERYDAY LIVING THROUGH DESIGN

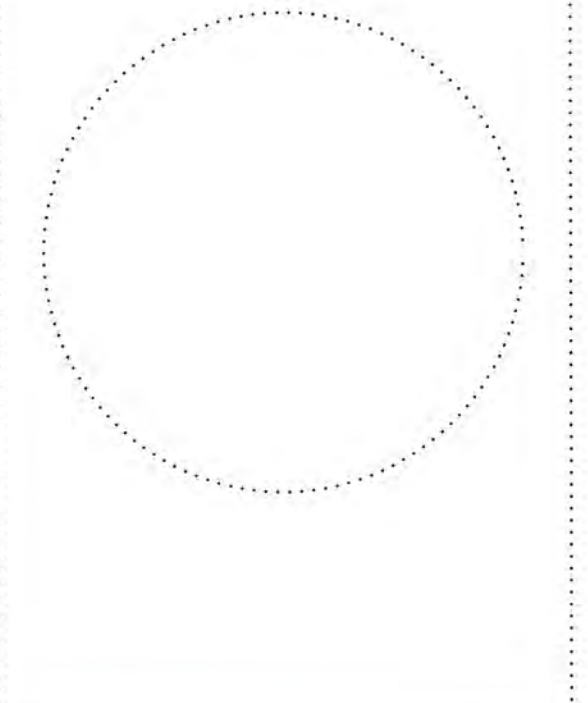
CHAMBERLIN ARCHITECTS
437 Main St.
Grand Junction, Colorado 81501
T 970.242.6804

725 Saint Joseph St., Suite B1
Rapid City, South Dakota 57701
T 605.355.6804

www.chamberlinarchitects.com

GVCES
GRAND VALLEY ENGINEERING SOLUTIONS
ELECTRICAL CONSULTING ENGINEERS

2861 CIRCLE HAWK COURT GRAND JUNCTION, CO 81503
(970) 256-0353 FAX: (970) 245-5319



**ORCHARD MESA
FIRE STATION #4**

GRAND JUNCTION, COLORADO

SCHEDULES

NO: ISSUED FOR: DATE:

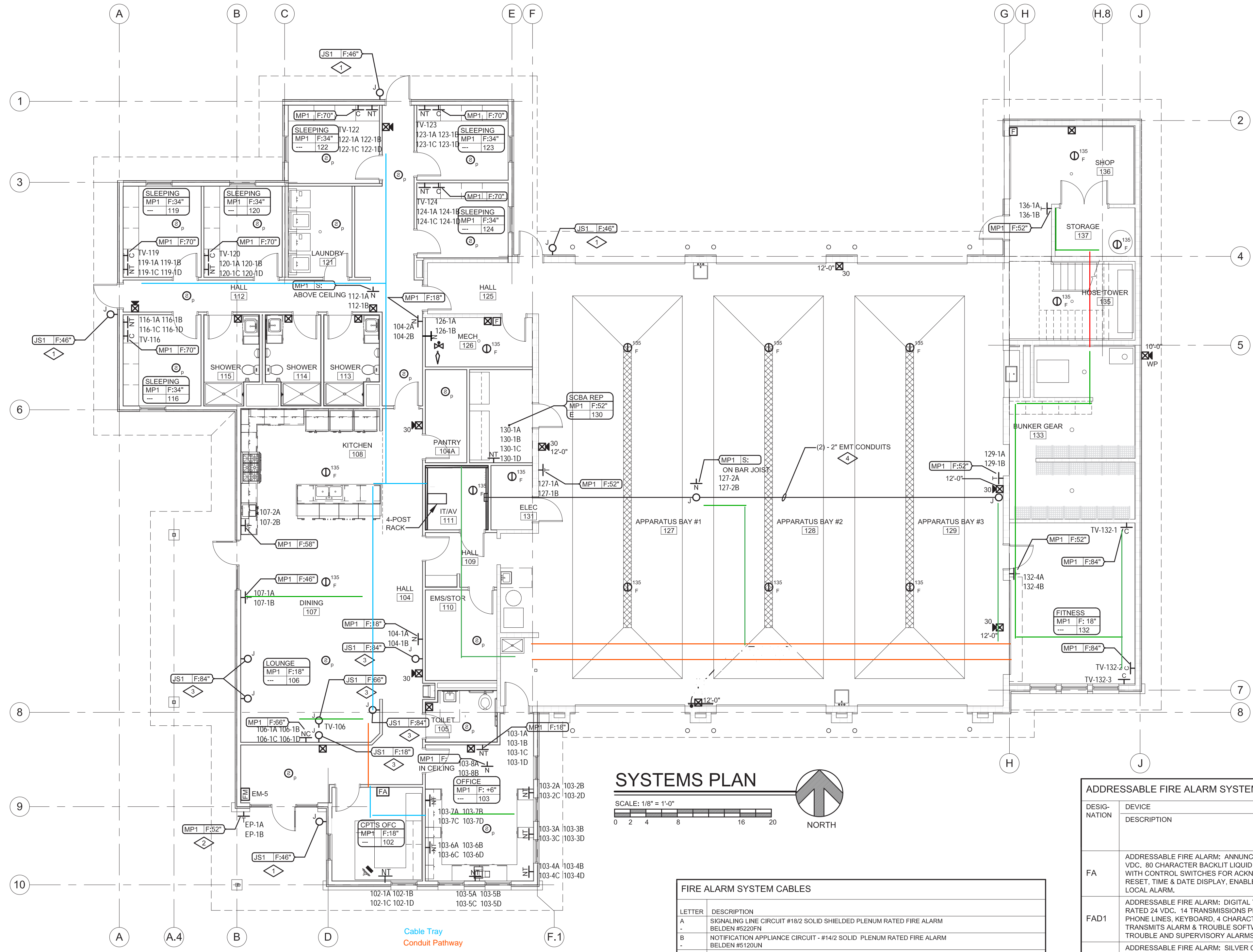
PROJECT STATUS: 100% CD

DRAWN BY: KLT CHECKED BY: WLM

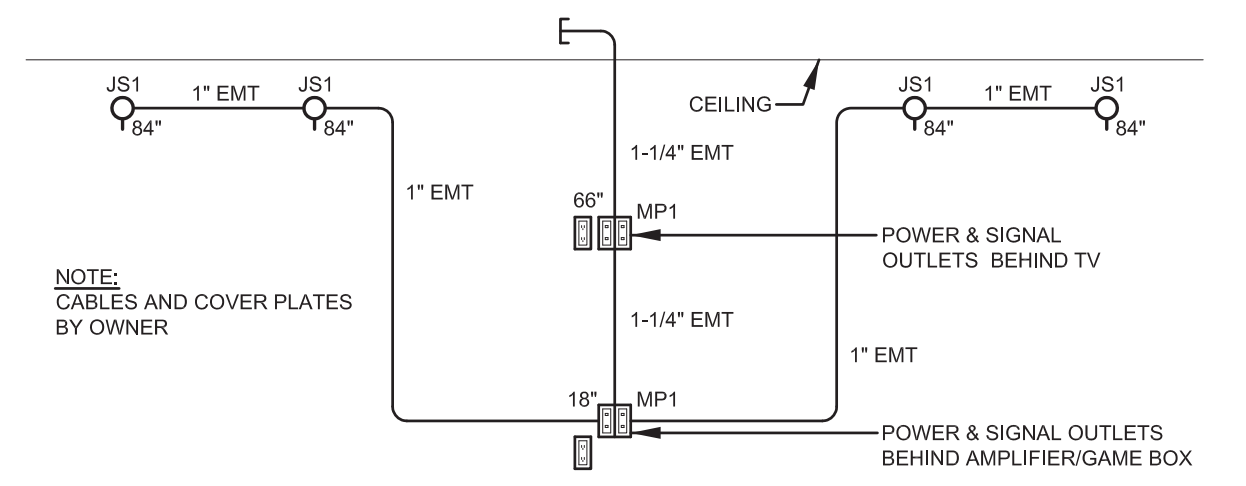
DATE: 04/10/2015 SHEET NO:

PROJECT NO: 1443/140330 **E505**

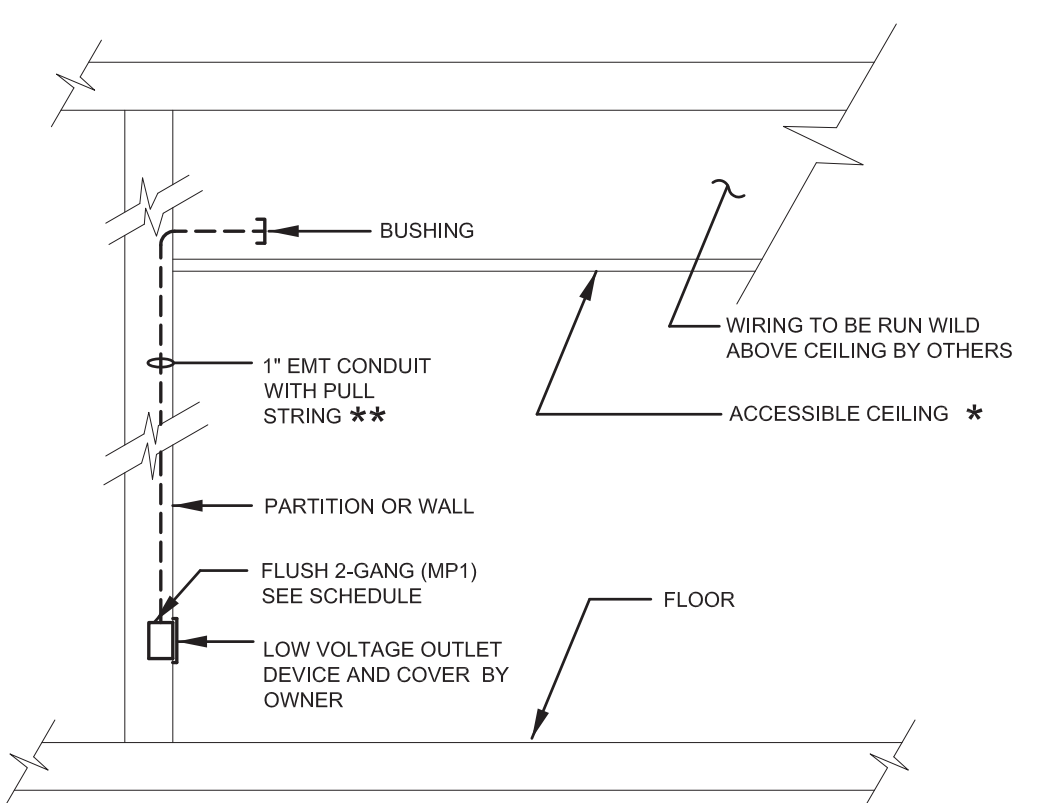
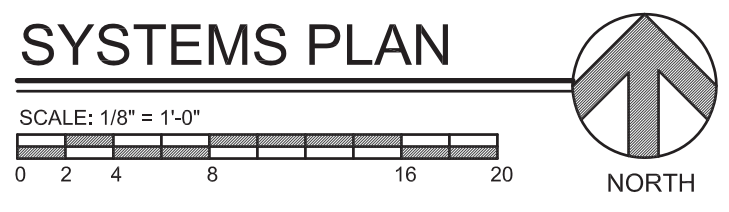
© 2015 Chamberlin Architects



- GENERAL SYSTEMS NOTES:**
- LOW VOLTAGE SIGNAL WIRING MAY BE RUN OPEN ABOVE ACCESSIBLE SUSPENDED CEILINGS. ALL WIRING RUN OPEN IN ACCESSIBLE CEILING SPACES USED FOR AIR RETURN SHALL BE PLENUM RATED.
 - WIRING INSTALLED IN WALLS AND ABOVE INACCESSIBLE CEILINGS SHALL BE RUN IN CONDUIT.
 - REVIEW CASEWORK ELEVATIONS ON ARCHITECTURAL DRAWINGS AND CASEWORK SHOP DRAWINGS PRIOR TO INSTALLATION OF WIRING DEVICES. CALL ANY DISCREPANCIES TO THE ATTENTION OF THE ENGINEER. WHERE DEVICES WOULD FALL BEHIND CASEWORK, RELOCATE DEVICES 2" CLEAR OF BACKSPLASH, OR COUNTER.
 - DEVICE MOUNTING HEIGHTS SHOWN ON THE PLANS TAKE PRECEDENCE OVER DEFAULT MOUNTING HEIGHTS SHOWN IN THE LEGEND.
 - ALL WIRING DEVICES ARE TO BE INSTALLED FLUSH UNLESS OTHERWISE INDICATED.
 - THE MOUNTING HEIGHT OF SIGNAL WIRING DEVICES IS DEFINED AS THE DISTANCE FROM THE FINISHED FLOOR TO THE CENTER OF THE DEVICE BOX.
 - PROVIDE FAR SIDE BOX SUPPORTS ON ALL BOXES MOUNTED TO STEEL STUDS. THE DEPTH OF THE MUD RINGS SHALL BE NO LESS THAN THE THICKNESS OF THE SHEETROCK.
 - THE FOLLOWING MAIN KEY DEFINES SIGNAL WIRING DEVICES IN THE ROOM LISTED. ALL DEVICES IN THIS SPACE ARE TO COMPLY WITH THIS MAIN KEY UNLESS OVERRIDDEN BY A DEVICE TAG.
 - THE FOLLOWING DEVICE TAG DEFINE SIGNAL WIRING DEVICES WHICH ARE DIFFERENT FROM THOSE DEFINED IN THE MAIN KEY. THESE DEVICE TAGS OVERRIDE THE MAIN KEY ONLY FOR THE DEVICE OR DEVICES INDICATED.
 - SEE SPECIFICATIONS FOR ADDITIONAL CONSTRAINTS ON THE INSTALLATION OF SIGNAL WIRING DEVICE AND BOXES.
- ROOM NAME** SIGNAL DEVICE MOUNTING SURFACE OF FLUSH HEIGHT (MH OF +6" IS HEIGHT ABOVE COUNTER)
- SCHEDULED SIGNAL DEVICE** JS1 F:18" ROOM NUMBER
- SCHEDULED SIGNAL DEVICE** JS1 F:18" SIGNAL DEVICE MOUNTING SURFACE OF FLUSH HEIGHT (MH OF +6" IS HEIGHT ABOVE COUNTER)
- NOTES REFERENCED ON THE PLANS:**
- ROUGH-IN FOR DOOR ACCESS CONTROL CARD READER.
 - PROVIDE FLUSH SIGNAL BOX AND 1" EMT TO SPACE ABOVE THE LOBBY CEILING FOR OWNERS' TELEPHONE INTERCOM.
 - PROVIDE JUNCTION BOX AND EMPTY 1" CONDUIT WITH PULL STRINGS BETWEEN ALL JUNCTION BOXES FOR FUTURE SURROUND SOUND SYSTEM.
 - PROVIDE TWO 2" EMT CONDUITS FROM THE IT ROOM TO TWO 6"X12"X12" PULL BOXES ON THE UNDER SIDE OF THE ROOF TRUSSES IN BUNKER GEAR #133 FOR NETWORK, TELEPHONE AND ALARMING CABLES.

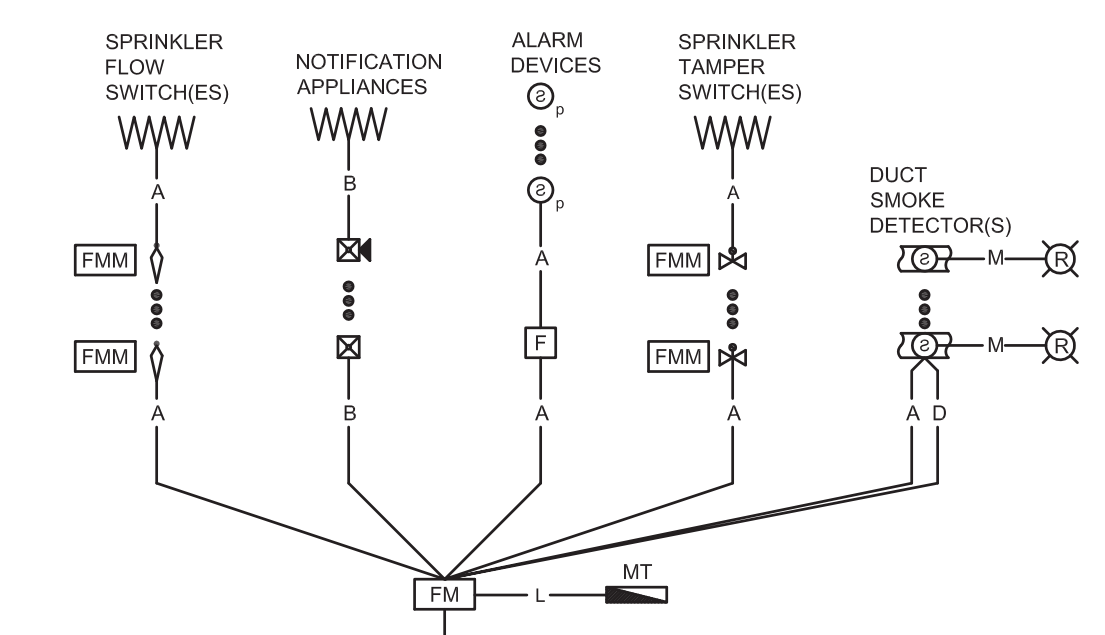


TV/SURROUND SOUND-LOUNGE 106
NO SCALE



SIGNAL OUTLET RACEWAY OPTIONS
NO SCALE

* IN CASES WHERE CEILING IS NOT ACCESSIBLE, EXTEND CONDUITS TO THE SPACE ABOVE THE NEAREST ACCESSIBLE CEILING.
** PROVIDE 1-1/4" CONDUIT WHERE PLANS SHOW 4 OR MORE JACKS.



FIRE ALARM SYSTEM RISER
NO SCALE

FIRE ALARM SYSTEM CABLES

LETTER	DESCRIPTION
A	SIGNALING LINE CIRCUIT #1/2 SOLID SHIELDED PLENUM RATED FIRE ALARM BELDEN #520FN
B	NOTIFICATION APPLIANCE CIRCUIT - #1/2 SOLID PLENUM RATED FIRE ALARM BELDEN #5120UN
C	120 VOLT POWER CIRCUIT - 1/2 EMT 2 #12 & #12 GROUND COPPER SOUTHWIRE BUILDING WIRE
D	24 VOLT POWER CABLE - #1/2" SOLID PLENUM RATED FIRE ALARM BELDEN #5220UN
H	ANNUNCIATOR CABLE - 2 #1/2" SOLID SHIELDED AND 1 #1/2" SOLID UNSHIELDED PLENUM RATED FIRE ALARM TWO BELDEN #520FN & ONE BELDEN #5220UN
L	DIALER CIRCUIT - 4 PAIR CATEGORY 5 CABLE BELDEN #1624P
M	REMOTE TEST CIRCUIT - 18/4 SOLID PLENUM RATED FIRE ALARM BELDEN #5320UN

FIRE ALARM SYSTEM SEQUENCE OF OPERATION

SYSTEM ACTIONS	SMOKE DETECTOR	HEAT DETECTOR	DUCT SMOKE DETECTOR	PULL STATION	SPRINKLER FLOW SWITCH	SPRINKLER TAMPER SWITCH
ACTIVATES SYSTEM NOTIFICATION APPLIANCES	●	●	●	●	●	●
ACTIVATES SYSTEM SUPERVISORY ALARM	●	●	●	●	●	●
DISPLAYS AT MAIN FIRE ALARM PANEL	●	●	●	●	●	●
RELEASES MAGNETICALLY HELD DOORS	●	●	●	●	●	●
SHUTS DOWN ASSOCIATED AIR HANDLING UNIT	●	●	●	●	●	●
CLOSES FIRE/SMOKE DAMPER	●	●	●	●	●	●
ACTIVATES DIALER GENERAL ALARM SIGNAL	●	●	●	●	●	●
ACTIVATES DIALER FLOW ALARM SIGNAL	●	●	●	●	●	●
ACTIVATES DIALER SUPERVISORY SIGNAL	●	●	●	●	●	●
ACTIVATES EXTERIOR HORN/STROBE ABOVE FIRE DEPARTMENT CONNECTION	●	●	●	●	●	●

ADDRESSABLE FIRE ALARM SYSTEM

DESIGNATION	DEVICE DESCRIPTION	MANUFACTURER CATALOG NUMBER ALTERNATE MANUFACTURERS	BOX DESCRIPTION	COVER DESCRIPTION
FA	ADDRESSABLE FIRE ALARM: ANNUNCIATOR, RATED 24 VDC, 80 CHARACTER BACKLIT LIQUID CRYSTAL DISPLAY WITH CONTROL SWITCHES FOR ACKNOWLEDGE, SILENCE AND RESET, TIME & DATE DISPLAY, ENABLE KEY SWITCH & LOCAL ALARM.	NOTIFIER LCD-80	9.9" X 4.6" W X 2.5" D NOTIFIER #ABF-1B, STEEL, WITH KNOCKOUTS, WALL FLUSH MOUNTING.	NONE REQUIRED
FAD1	ADDRESSABLE FIRE ALARM: DIGITAL TRANSMITTER, RATED 24 VDC, 14 TRANSMISSIONS PER HOUR, DUAL PHONE LINES, KEYBOARD, 4 CHARACTER LED DISPLAY, TRANSMITS ALARM & TROUBLE SOFTWARE ZONES, SYSTEM TROUBLE AND SUPERVISORY ALARMS.	NOTIFIER 411UDACT	9.9" X 4.6" W X 2.5" D NOTIFIER #ABF-8R, STEEL, WITH KNOCKOUTS, WALL FLUSH MOUNTING.	NONE REQUIRED
FADU	ADDRESSABLE FIRE ALARM: SILVER COLOR, DUCT SMOKE DETECTOR, BUILT-IN DPDT RELAY, SAMPLE TUBE, PHOTOELECTRIC TYPE, RATED 24 VDC. PROVIDE SEPARATE REMOTE ALARM INDICATOR WITH TEST SWITCH.	NOTIFIER FSC-751RP & RTS-451	NONE REQUIRED	NONE REQUIRED
FAH1	ADDRESSABLE FIRE ALARM: HORN/STROBE, RATED 24 VDC, CANDELA OUTPUT FIELD SELECTABLE AMONG 15, 15/75, 30, 75, AND 110, FIELD SELECTABLE HORN TONES, SYNCHRONIZABLE, AND RED COLOR.	NOTIFIER P1224MC	4" SQ X 2 1/8" DEEP, STEEL, WITH KNOCKOUTS, WALL FLUSH MOUNTING.	NONE REQUIRED
F	ADDRESSABLE FIRE ALARM: PULL STATION, RATED 24 VDC, DUAL ACTION WITH BI-COLOR ALARM STATUS LED, KEY RESET, AND BRAILLE TEXT ON HANDLE.	NOTIFIER NBG-12LX	4" SQ X 2 1/8" DEEP, STEEL, WITH KNOCKOUTS, WALL FLUSH MOUNTING.	NONE REQUIRED
FMM	ADDRESSABLE FIRE ALARM: MONITOR MODULE, RATED 24 VDC, MONITORS SPRINKLER FLOW AND TAMPER SWITCHES, GENERATING AN ALARM AT THE SET ADDRESS ON DEVICE CONTACT CLOSURE, 159 ADDRESSES AVAILABLE.	NOTIFIER FMM-101	4" SQ X 2 1/8" DEEP, STEEL, WITH KNOCKOUTS, WALL FLUSH MOUNTING.	NONE REQUIRED
FM	ADDRESSABLE FIRE ALARM: MAIN PANEL, BATTERY BACKED, RATED 3A @ 120V, CAPABLE OF 301 TOTAL I/O POINTS, 99 INTELLIGENT DETECTORS, 99 ADDRESSABLE MODULES, 99 PROGRAMMABLE SOFTWARE ZONES AND 4 NAC CIRCUITS.	NOTIFIER AFP-200	18" X 14.5" W X 5.5" D, STEEL, WITH KNOCKOUTS, WALL SURFACE MOUNTING.	NONE REQUIRED
FAS1	ADDRESSABLE FIRE ALARM: RED COLOR, STROBE, RATED 24 VDC, CANDELA OUTPUT FIELD SELECTABLE AMONG 15, 15/75, 30, 75, AND 110, FIELD SELECTABLE.	NOTIFIER S1224MC	4" SQ X 2 1/8" DEEP, STEEL, WITH KNOCKOUTS, WALL FLUSH MOUNTING.	NONE REQUIRED
FASP	ADDRESSABLE FIRE ALARM: SMOKE DETECTOR, RATED 24 VDC, LASER DEVICE, WITH 2 LED ALARM STATE INDICATORS, BUILT-IN MAGNETIC TEST SWITCH, HIGH SENSATIVITY.	NOTIFIER LPX751L + P10P BASE	4" SQ X 2 1/8" DEEP, STEEL, WITH KNOCKOUTS, WALL FLUSH MOUNTING.	NONE REQUIRED
FAT1	ADDRESSABLE FIRE ALARM: RED COLOR, HEAT DETECTOR, RATED 24 VDC, 135 DEGREE F FIXED TEMPERATURE/RATE OF RISE.	NOTIFIER B710LPBP BASE	4" SQ X 2 1/8" DEEP, STEEL, WITH KNOCKOUTS, WALL FLUSH MOUNTING.	NONE REQUIRED
FAT2	ADDRESSABLE FIRE ALARM: RED COLOR, HEAT DETECTOR, RATED 24 VDC, 200 DEGREE F FIXED TEMPERATURE/RATE OF RISE.	NOTIFIER B710LPBP BASE	4" SQ X 2 1/8" DEEP, STEEL, WITH KNOCKOUTS, WALL FLUSH MOUNTING.	NONE REQUIRED

NOTES:
DEVICES BY MANUFACTURERS WHICH ARE NOT LISTED IN THE SCHEDULE REQUIRE 5-DAY WRITTEN PRIOR APPROVAL.

CHAMBERLIN ARCHITECTS
437 Main St.
Grand Junction, Colorado 81501
T 970.242.6804

725 Saint Joseph St., Suite B1
Rapid City, South Dakota 57701
T 605.355.8804

www.chamberlinarchitects.com

GVES
GRAND VALLEY ENGINEERING SOLUTIONS
ELECTRICAL CONSULTING ENGINEERS

2961 CIRCLE DR. GRAND JUNCTION, CO 81503
(970) 256-0353 FAX: (970) 245-6319



ORCHARD MESA FIRE STATION #4

GRAND JUNCTION, COLORADO

SYSTEMS PLAN

NO: ISSUED FOR: DATE:

PROJECT STATUS: 100% CD

DRAWN BY: KLT CHECKED BY: WLM

DATE: 04/10/2015 SHEET NO:

PROJECT NO: 1443/140330 **E401**