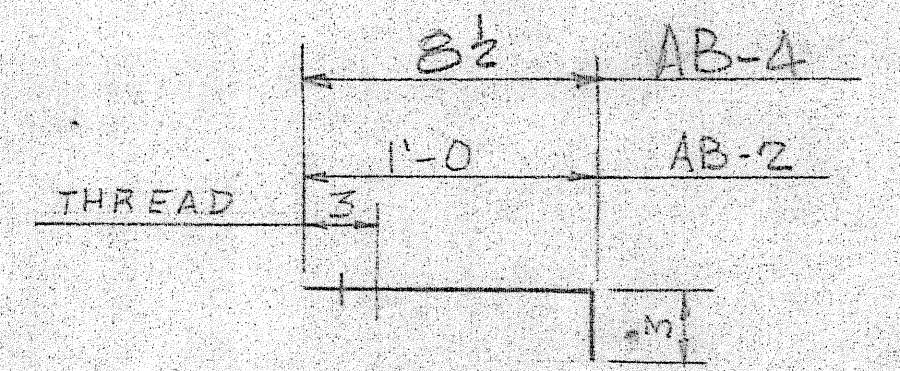
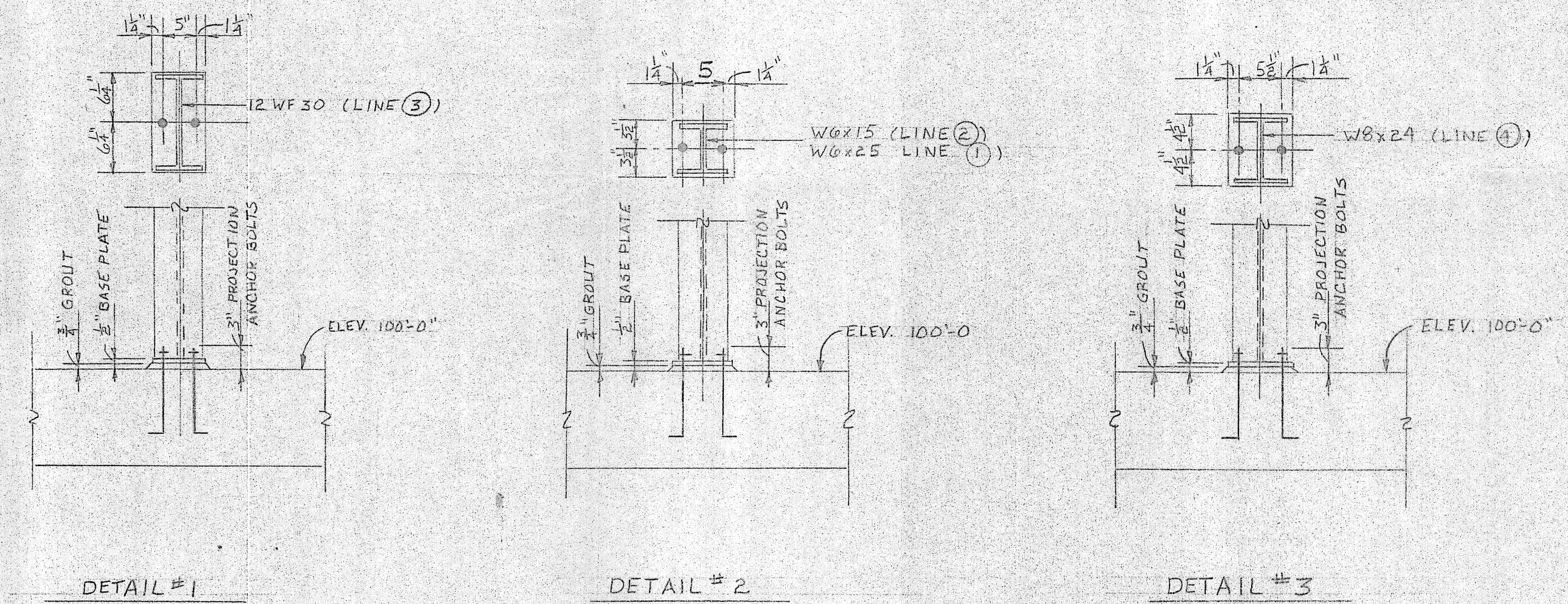


PLAN-WEST SIDE EXPANSION

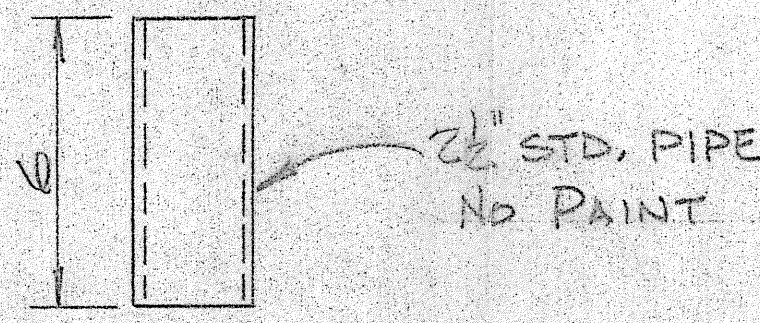
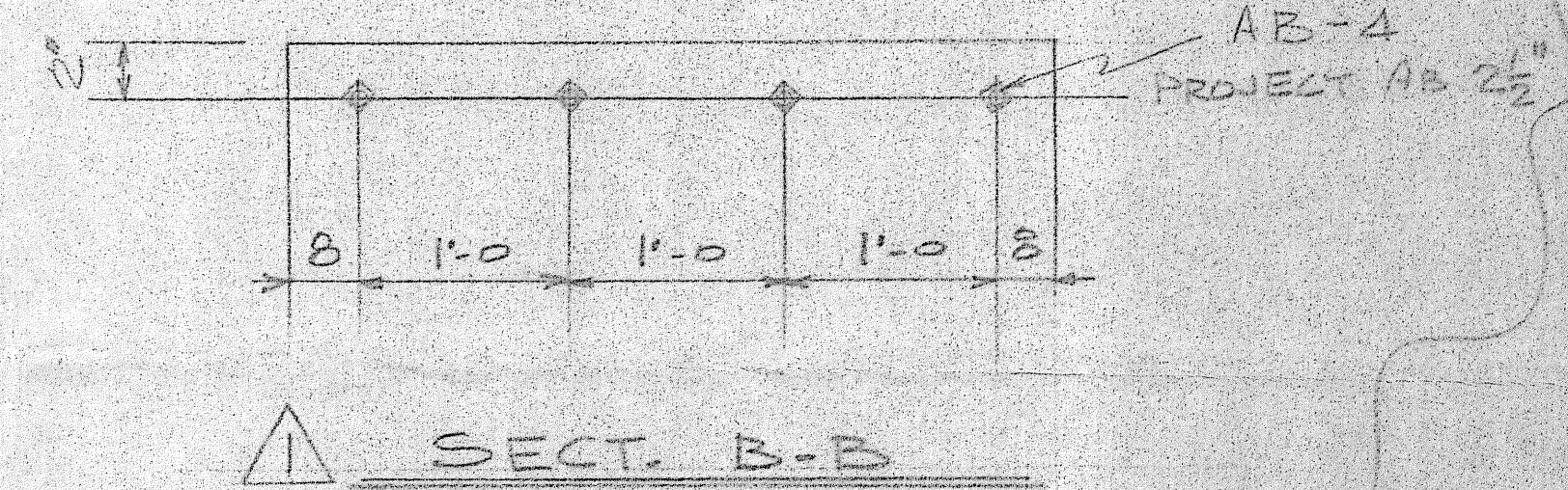


ROD - $\frac{3}{4}$ " ϕ x 1'-3"
 NUTS - $\frac{3}{4}$ " HEX
 NO PAINT

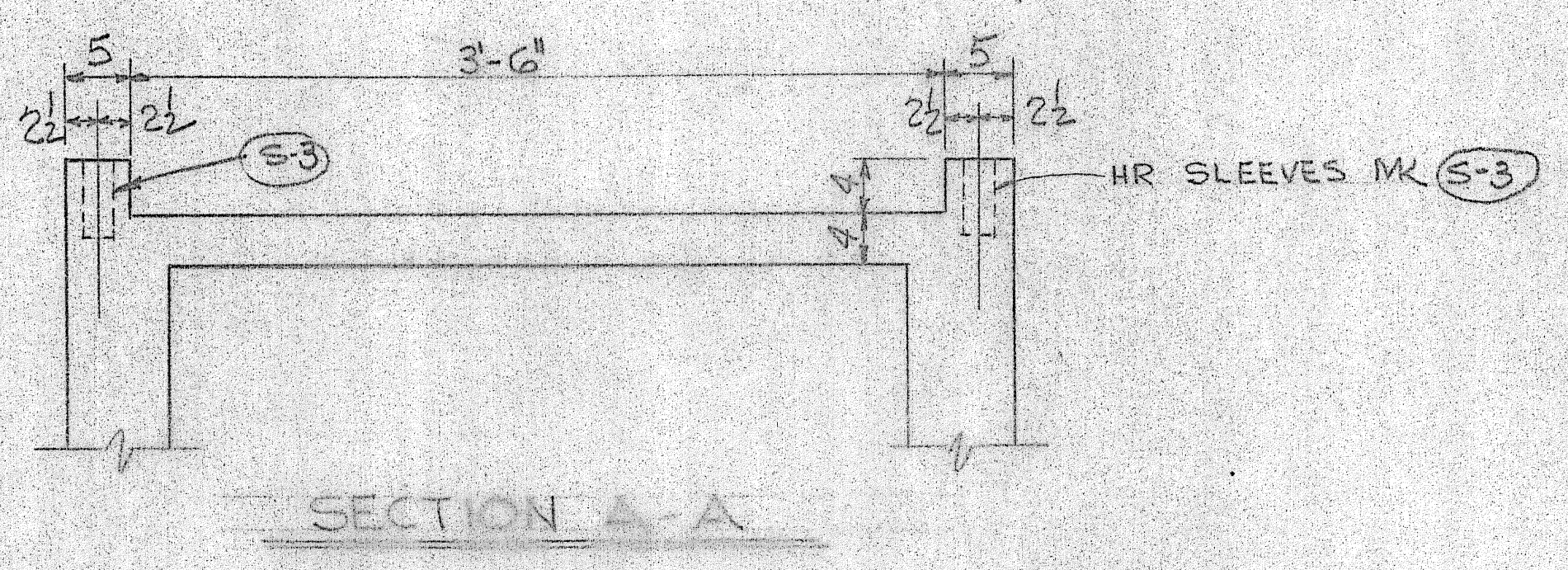
112 - ANCHOR BOLTS - MK AB-2

ROD $\frac{3}{4}$ " ϕ x 0'-11 1/2"
 NUT - $\frac{3}{4}$ " HEX
 NO PAINT

4 - ANCHOR BOLTS - MK AB-4



14 - HR SLEEVES - MK S-3



SHOP DRAWING REVIEW

Review is only for general conformity with the design concept and is limited to exterior work. It is not to be construed as a guarantee of the accuracy of the design or the quality of the materials or workmanship. The contractor is responsible for the accuracy of the design and the quality of the materials and workmanship.

ARIX, A PROFESSIONAL ENGINEERING FIRM
 ENGINEER - ARCHITECT - PLANNERS
 Greeley, Grand Junction, Colorado
 Riverton, Wyoming

Date 2-18-83 By David E. Kline

RECEIVED
 FEB 15 1983
 ARIX

FOR APPROVAL ONLY

DOUGHTY STEEL & MACHINE
 Phone 303 / 874-7518
 685 STATE HWY. 92 P.O. BOX 690
 DELTA, COLORADO 81418 U.S.A.

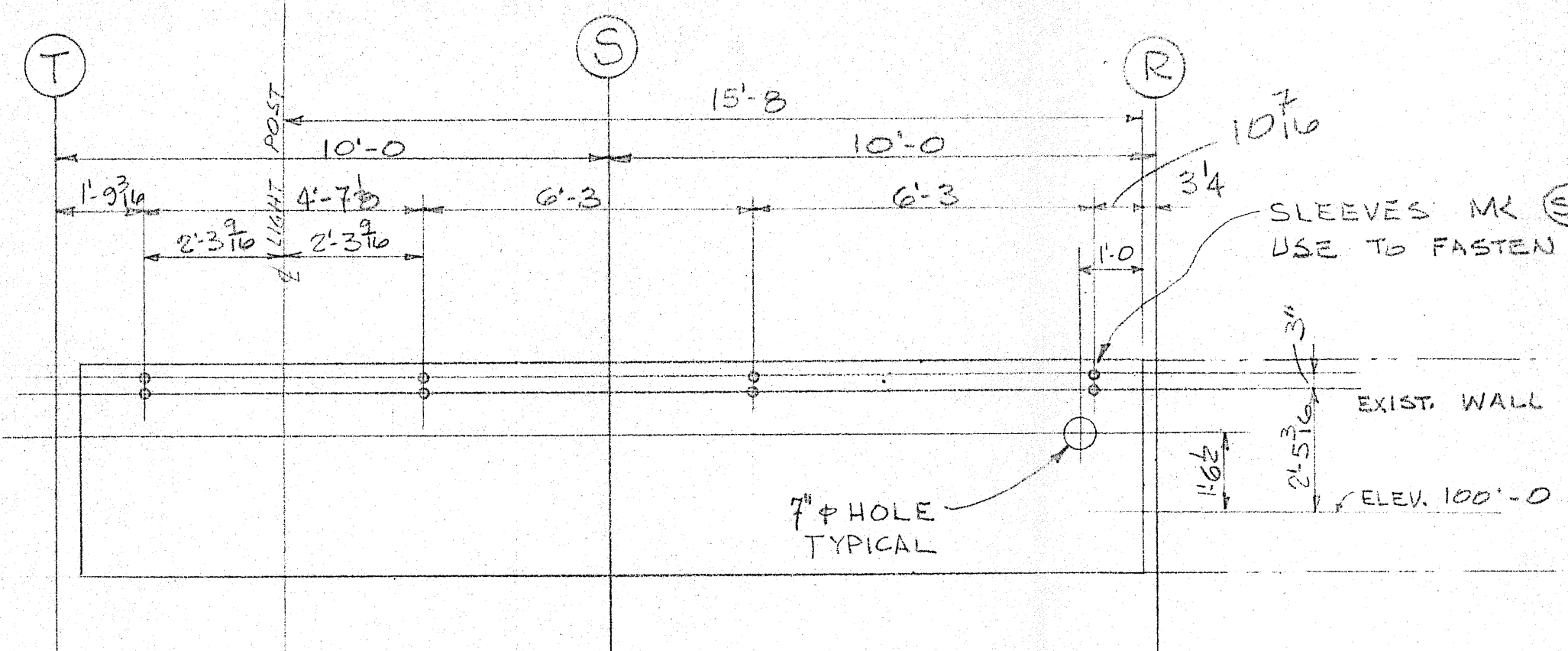
STOCKER STADIUM
 FOOTBALL STAND

SCALE: APPROVED BY: DRAWN BY: S-S-83
 DATE: REVISIONS:

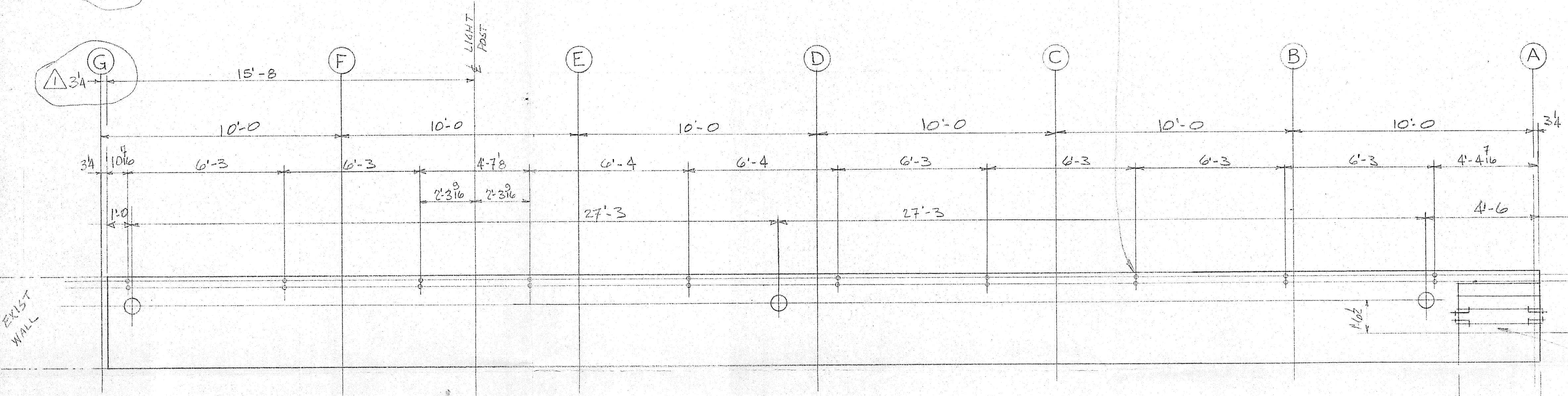
ANCHOR BOLT SETTING PLAN

DATE CHECKED: 2/11/83 DRAWING NUMBER: E101

ADDED SECT B-B & AB-4 2-14-82

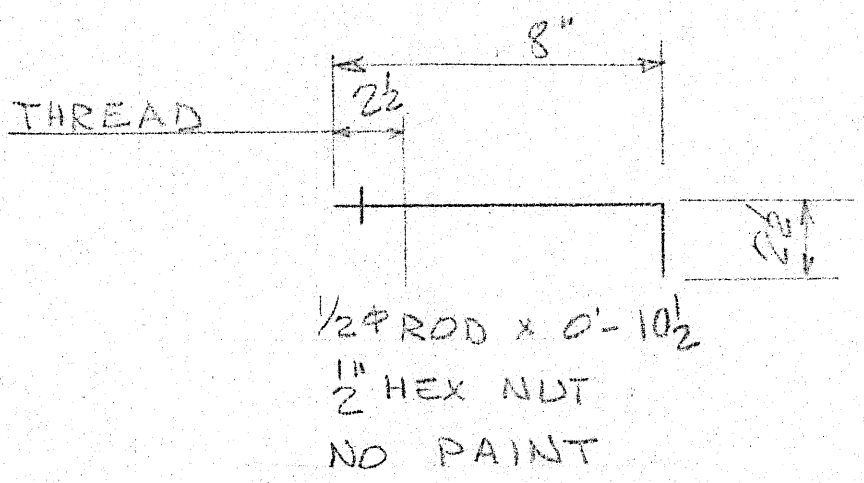
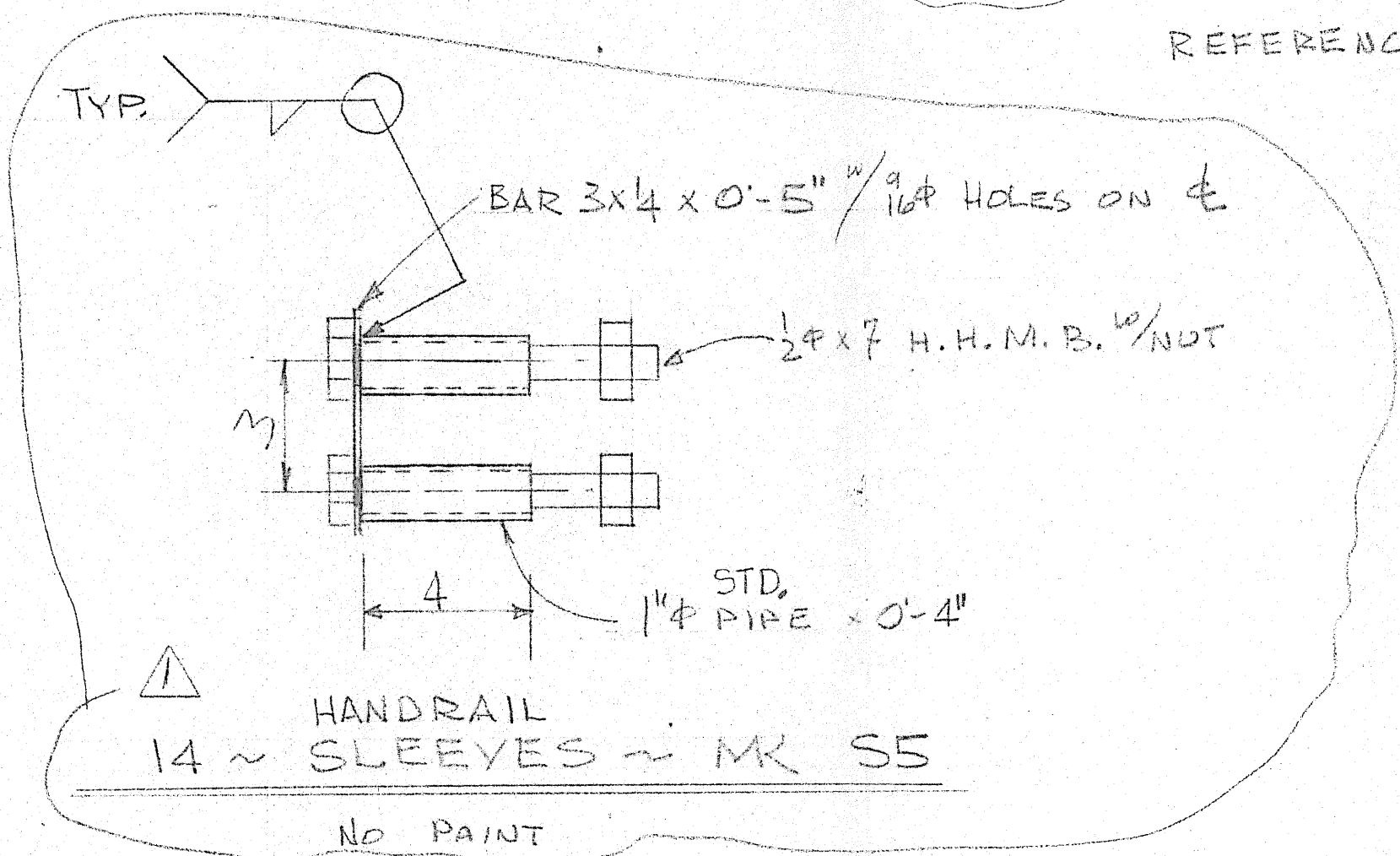


△ EAST WALL R to T LOOKING WEST

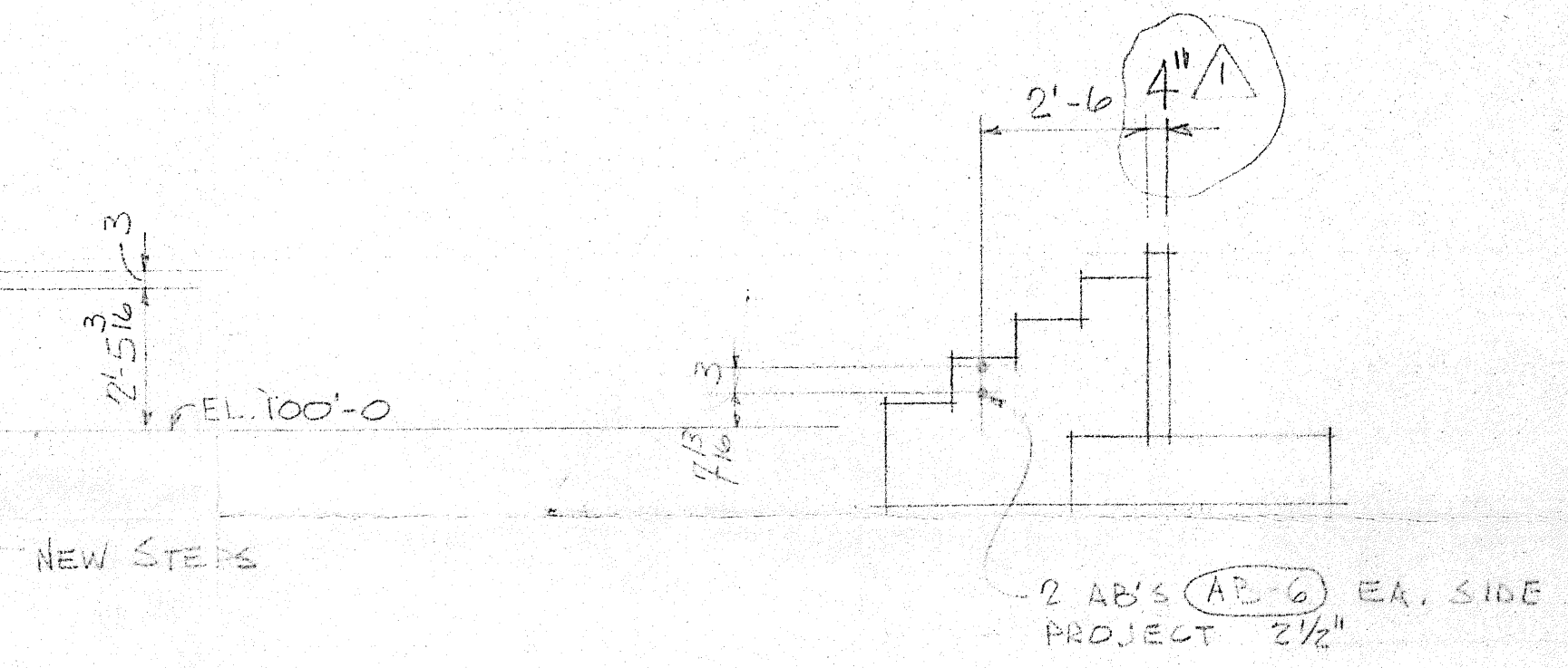


△ EAST WALL A TO G LOOKING WEST

REFERENCE: SECTION J/S3



4 ~ ANCHOR BOLTS ~ MK AB-6



RECEIVED
FEB 24 1983
ARIX

FOR APPROVAL ONLY

DOUGHTY STEEL & MACHINE
 Phone 303 / 874-7518
 685 STATE HWY. 92 P.O. BOX 690
 DELTA, COLORADO 81416 U.S.A.

STOCKER STADIUM
 FOOTBALL STANDS

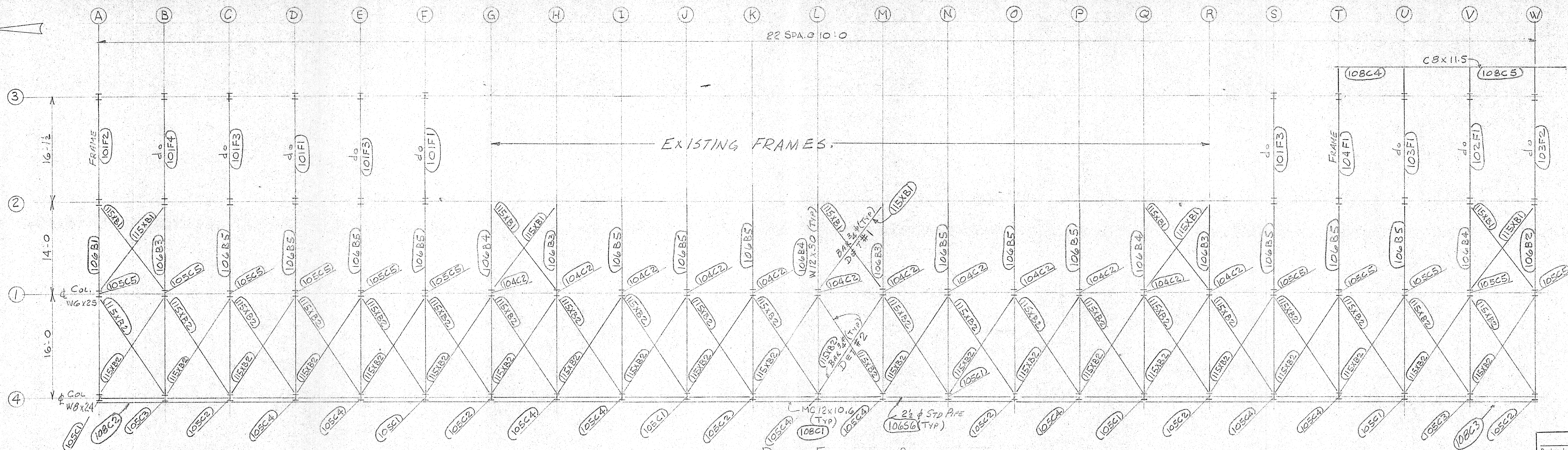
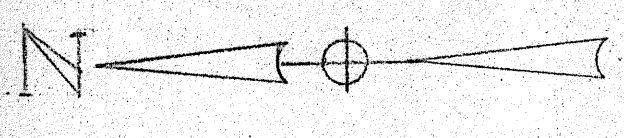
SCALE: DRAWN BY: 2-14-83
 REVISED:

EMBEDDED STEEL

DATE CHECK: 2-14-83 APPROVED BY: DRAWING NUMBER: E-102A

△ CHG'D Dim., CAPTIONS, DET. SS 2-19-83

APPROVAL 2-14-83

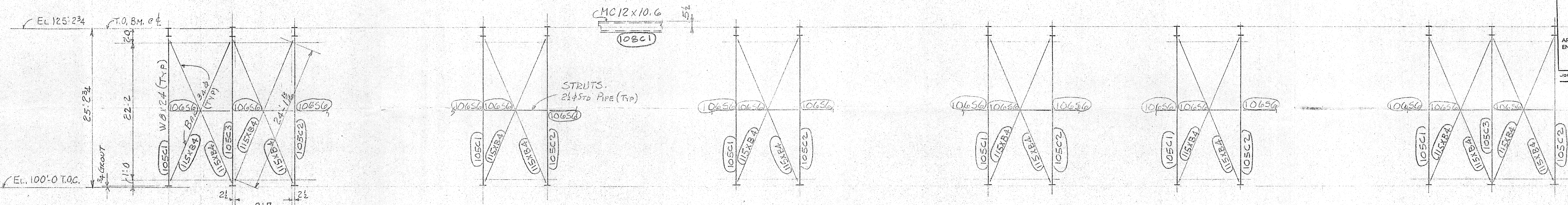


SHOP DRAWING REVIEW

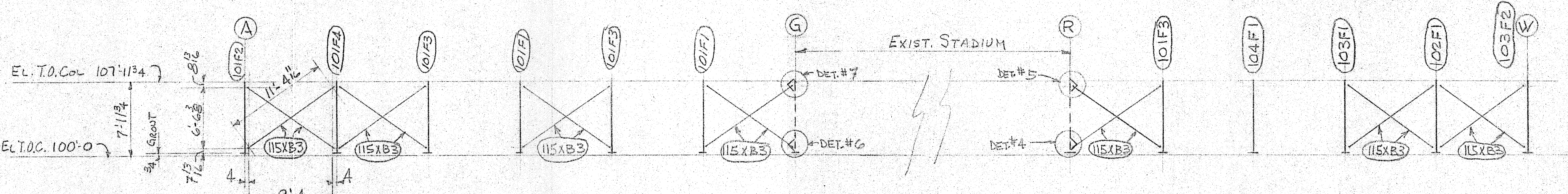
Review is only for general conformity with the design and is limited to requirements noted on the contract documents. Contractor is responsible for the accuracy of dimensions, quantities, etc. and for the safety of the erection. Other engineering requirements may be noted on the drawings solely to the satisfaction of the contractor.

ARIX, A PROFESSIONAL CORPORATION
ENGINEERS-ARCHITECTS-PLANNERS
Greely, Grand Junction, Colorado;
Riverton, Wyoming

Date 3/23/83



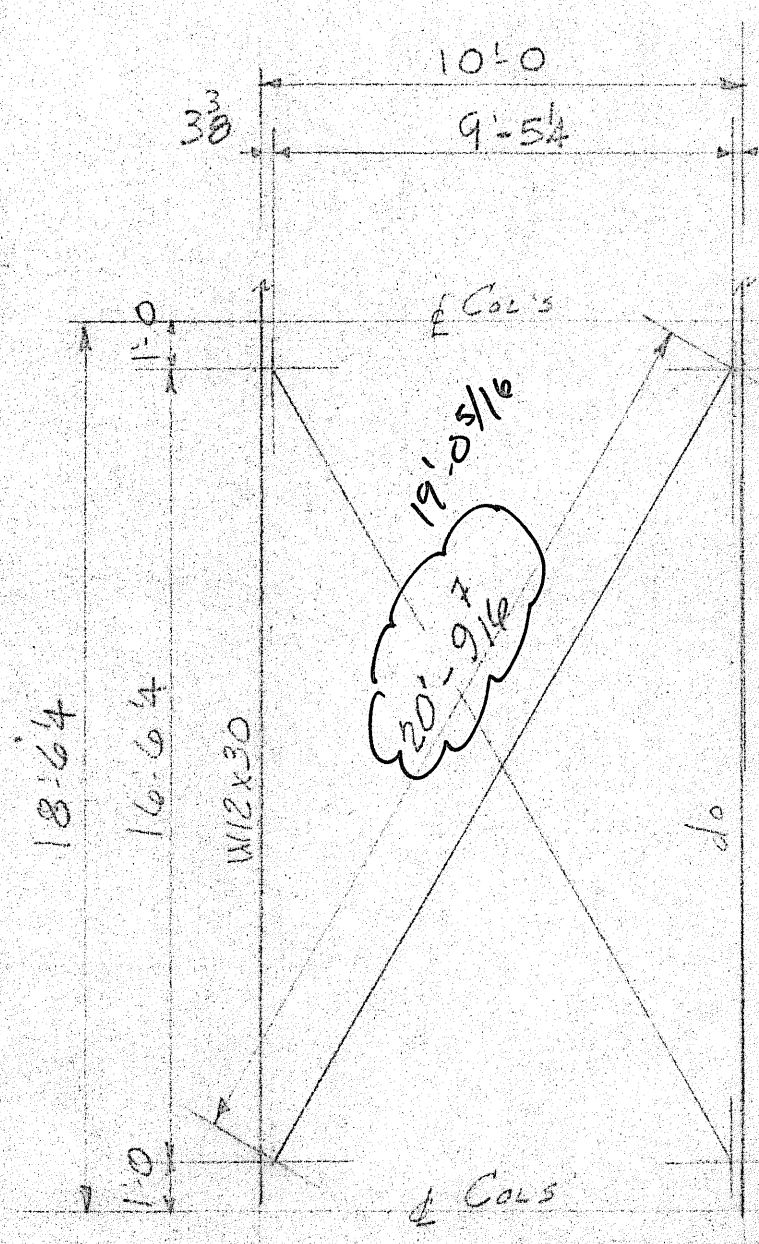
~ WEST ELEVATION ~ LINE 4 ~



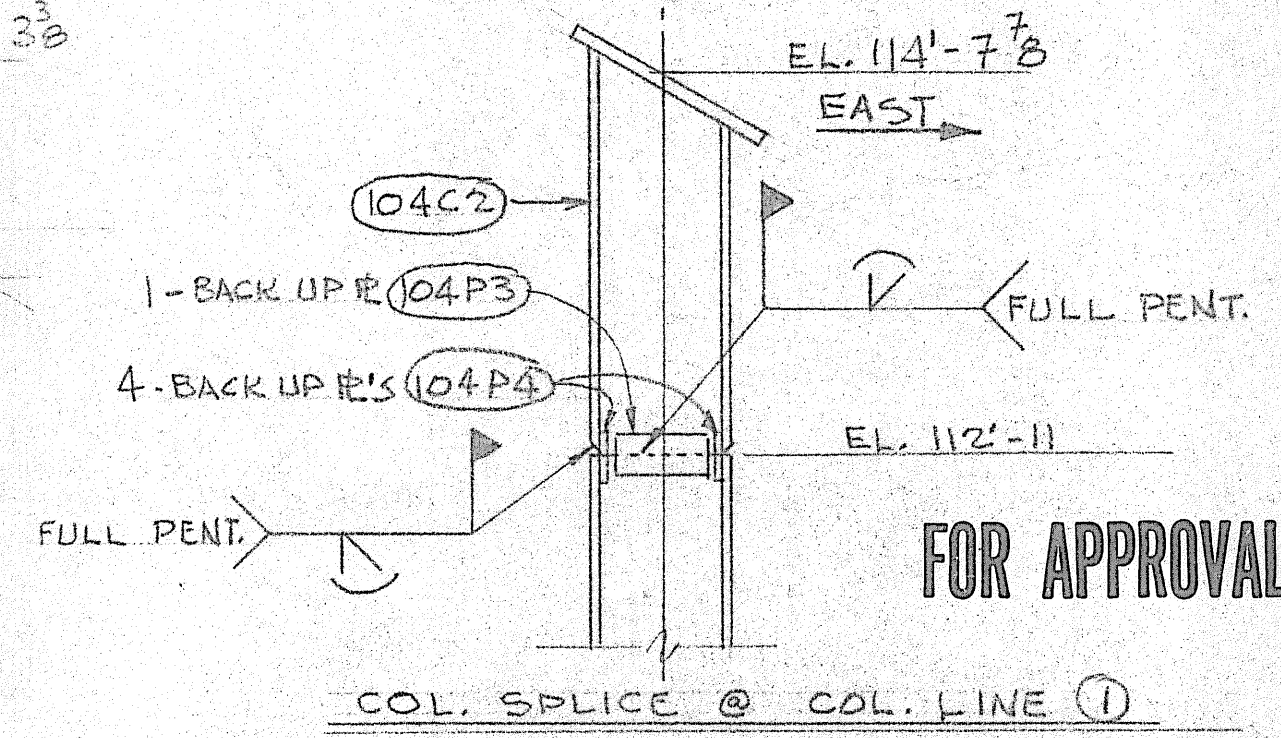
~ WEST ELEVATION ~ LINE 2 ~

NOTE:

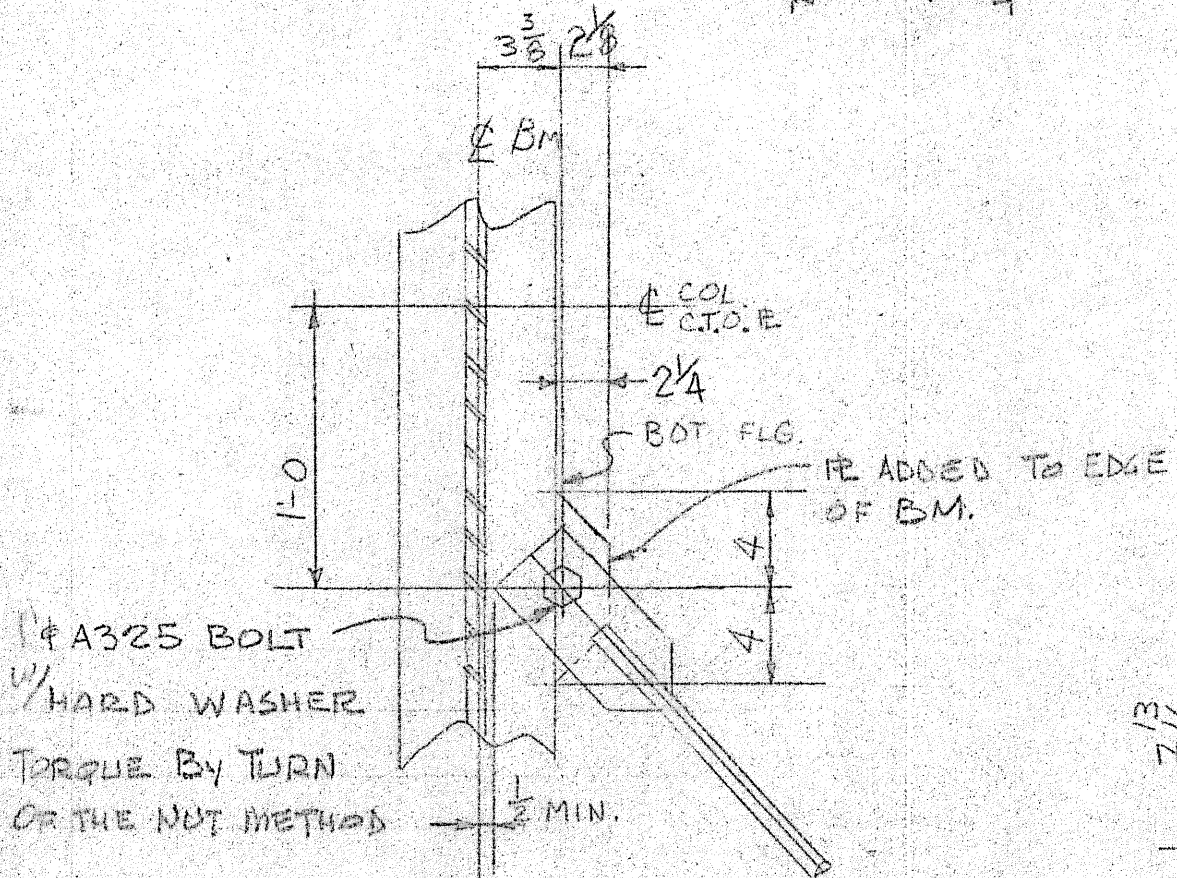
- FIELD CONNECTIONS TO BE BOLTED USING 3/4" A307 M. BOLTS UNLESS OTHERWISE NOTED.
- 2" X BRACING BOLTED W/ 1" A325 M. BOLTS WITH HARD WASHERS.



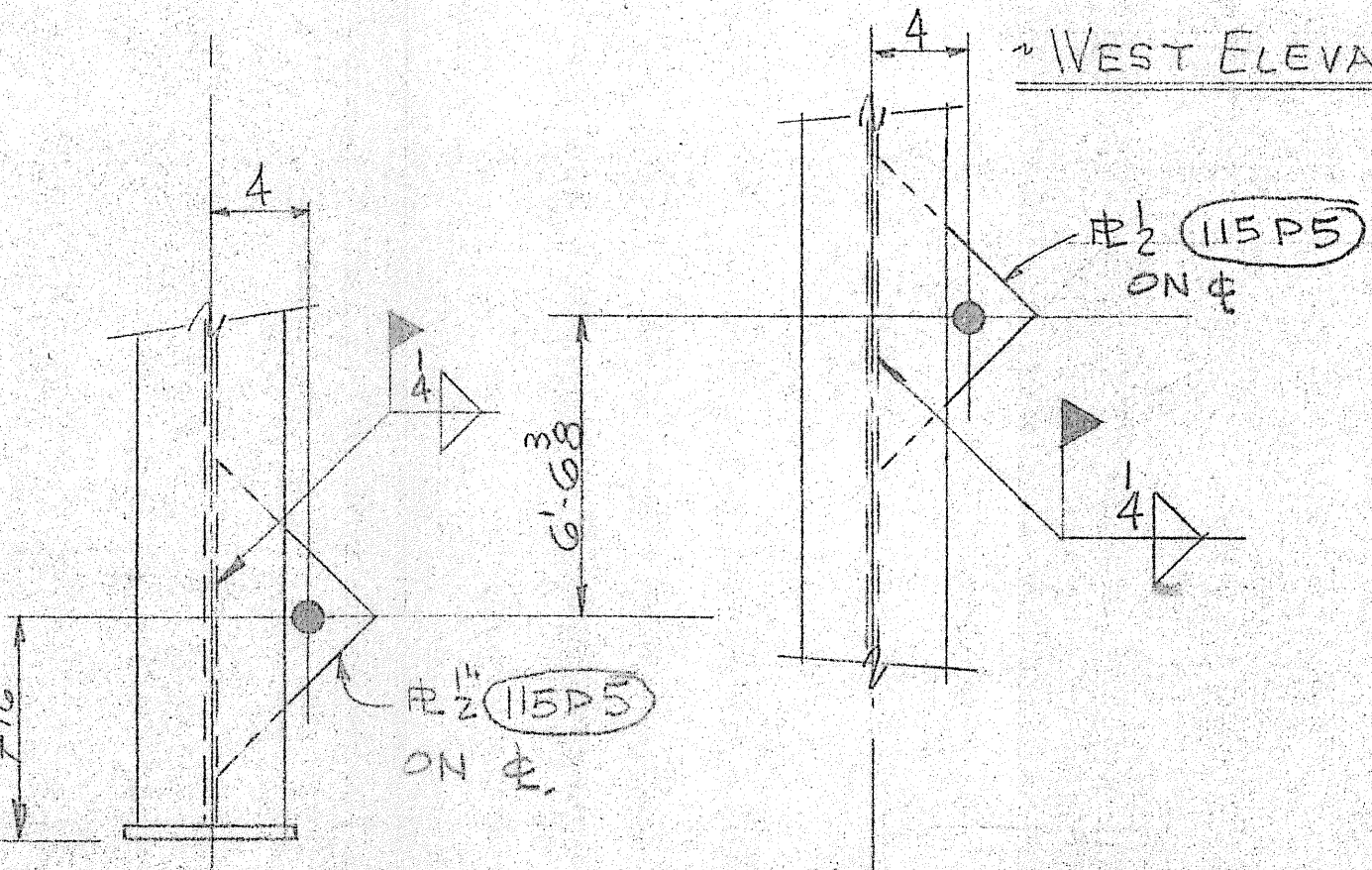
DET. #2



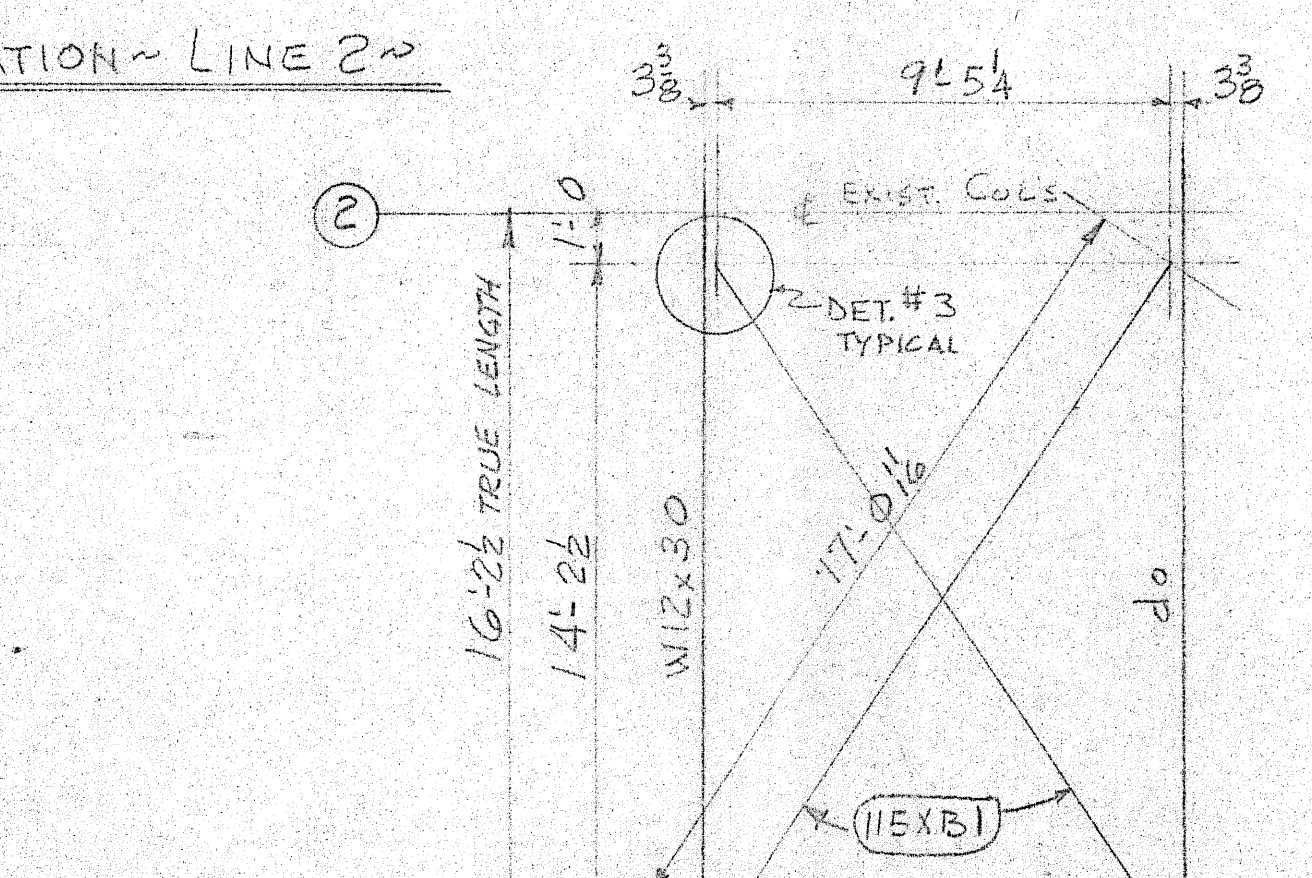
FOR APPROVAL ONLY



DET. #3



DET. #4 AS SHOWN



DET. #5 AS SHOWN

DET. #7 OPP. HAND

DOUGHTY STEEL & MACHINE
Phone 303/274-7518
685 STATE HWY. 92 P.O. BOX 690
DELTA, COLORADO 81416 U.S.A.

RECEIVED
MAR 28 1983
ARIX

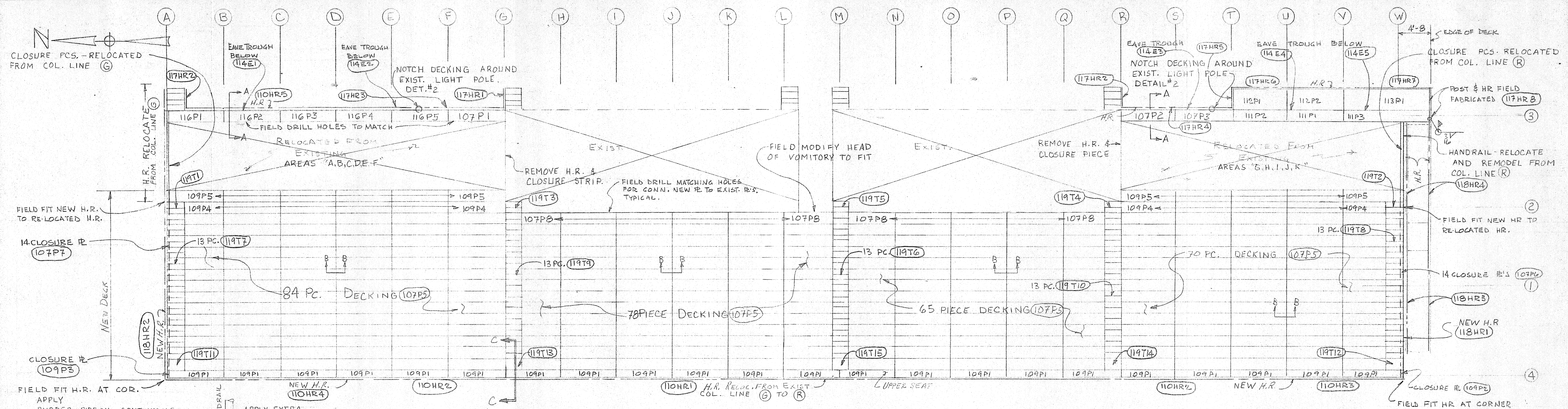
STOCKER STADIUM
FOOTBALL STAND

ERECTOR: ARIX
SCALE: NONE
DRAWN BY: Joe 2-14-83
REVISED: NONE

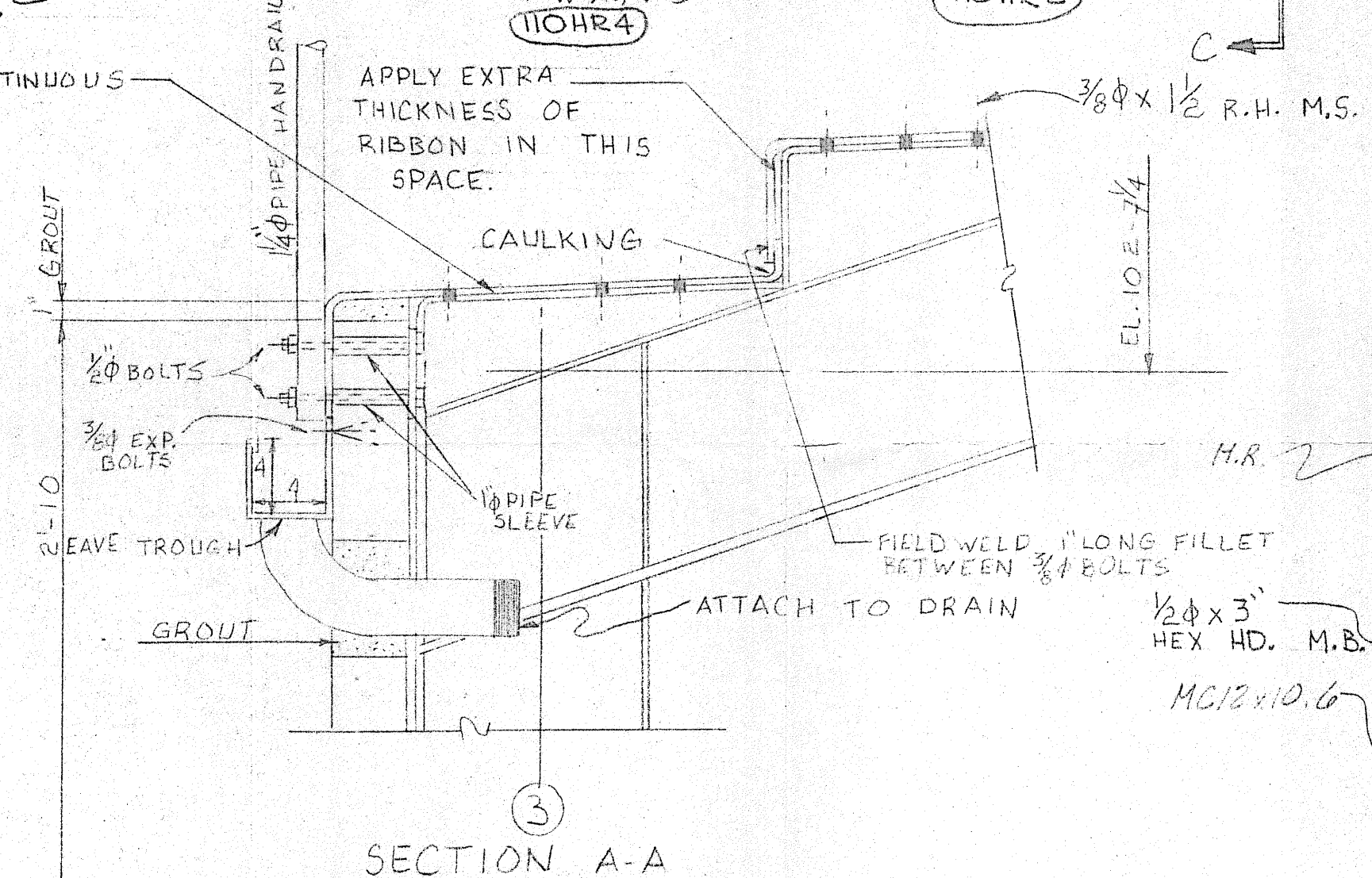
APPROVED BY: ARIX
DATE: APR 5 1983

DRAWING NUMBER: E103

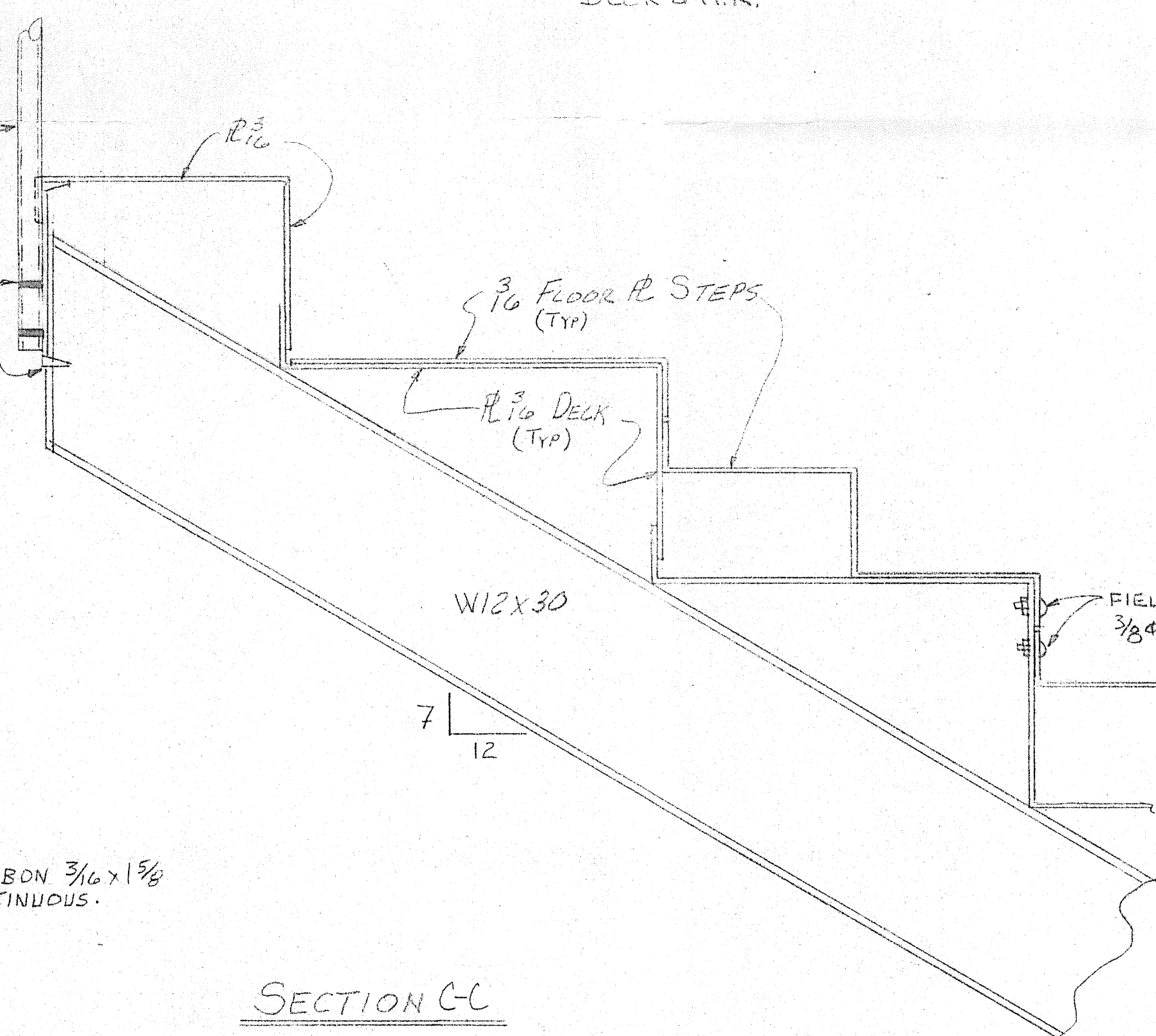
APPROVAL 3-10-83



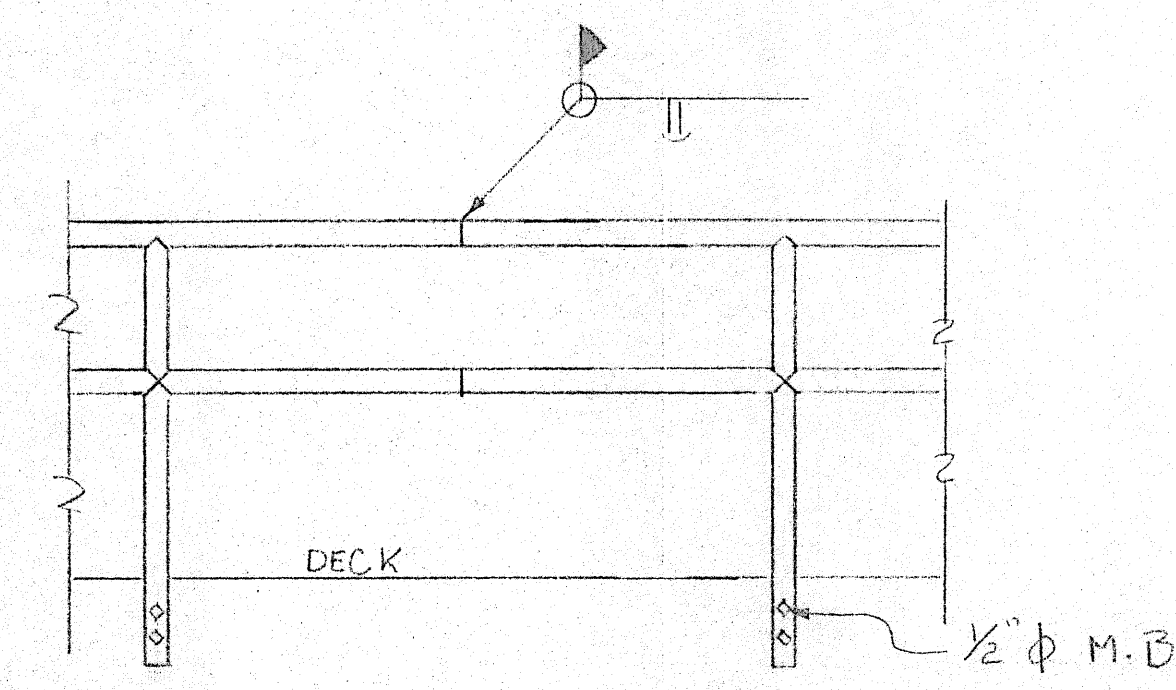
~ PLAN ~ FOOTBALL STAND ~
DECK & H.R.



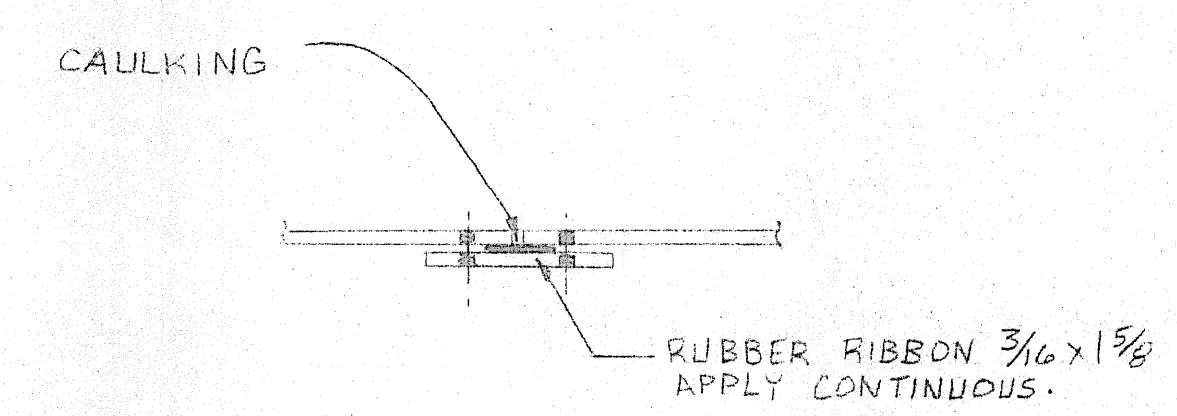
SECTION A-A



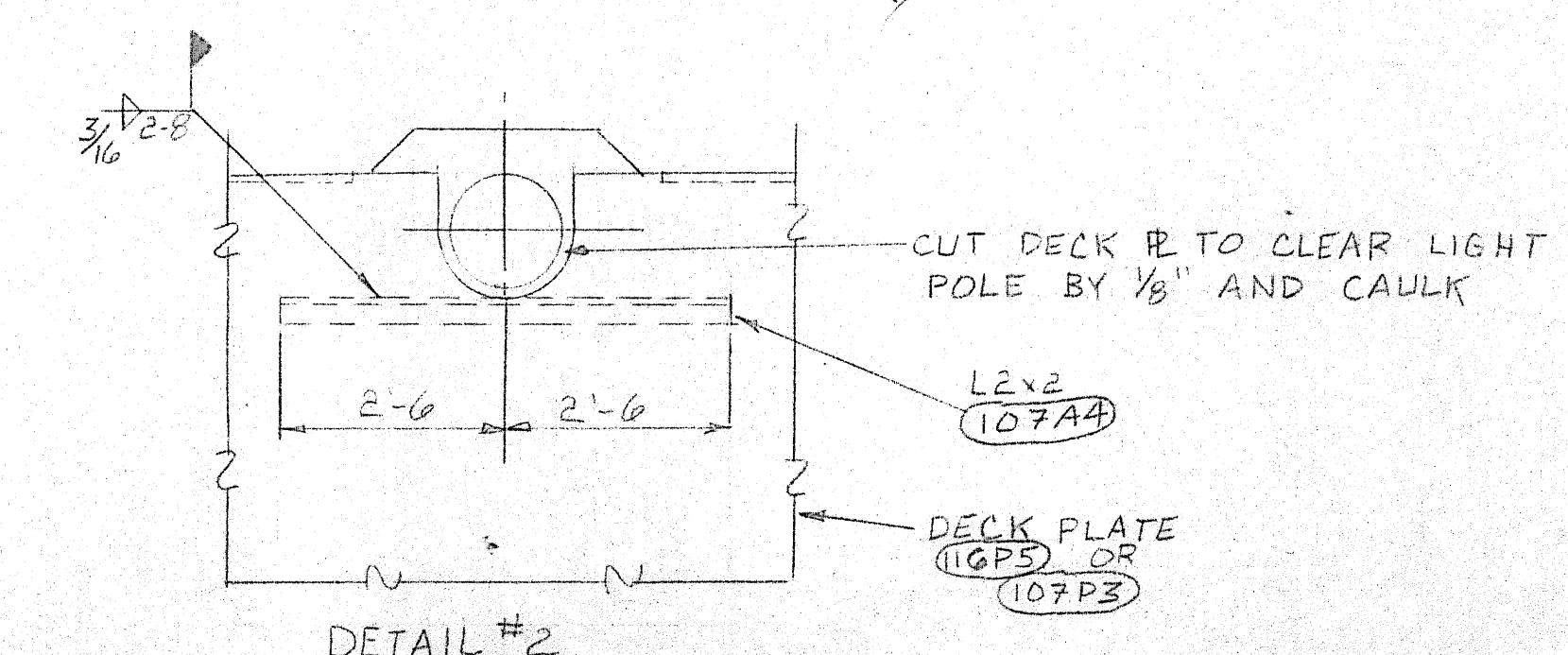
SECTION C-C



DETAIL #1
TYPICAL HANDRAIL SPLICE



SECTION B-B



DETAIL #2

SHOP DRAWING REVIEW

Review is only for general conformity with the design con. cost and is limited to requirements called for by the contract documents. Contractor is responsible for the accuracy of all dimensions, quantities and details. No warranty, representation with other material or conditions are for information that pertains solely to the technicality of fabrication or construction.

No Exceptions Taken
 Make Corrections Noted
 Amend and Resubmit
 Rejected

ARIX, A PROFESSIONAL CORPORATION
ENGINEERS-ARCHITECTS-PLANNERS
Greeley, Grand Junction, Colorado;
Riverton, Wyoming

Date: 3/11/83

- NOTES:
- FIELD DRILL HOLES TO MOUNT PATENTED SEAT BRACKETS AS REQUIRED BY SEAT BRACKET MANUFACTURER.
 - FIELD FABRICATE CONNECTIONS BETWEEN EXISTING HANDRAIL AND NEW HANDRAIL AND AT CORNERS.
 - FIELD WELD SPLICES IN EAVE TROUGHS.

FOR APPROVAL ONLY

DOUGHTY STEEL & MACHINE
Phone 303/874-7518
885 STATE HWY. 92 P.O. BOX 690
DELTA, COLORADO 81416 U.S.A.

STOCKER STADIUM
FOOTBALL STANDS

SCALE: None
DRAWN BY: Joe 2-14-83
REVISED:

DECKING & HR PLACING DIAGRAM

DATE CHK'D: 3-24-83
JOB: JOK

APPROVED BY:

DRAWING NUMBER: E104

APPROVAL: 3-28-83

