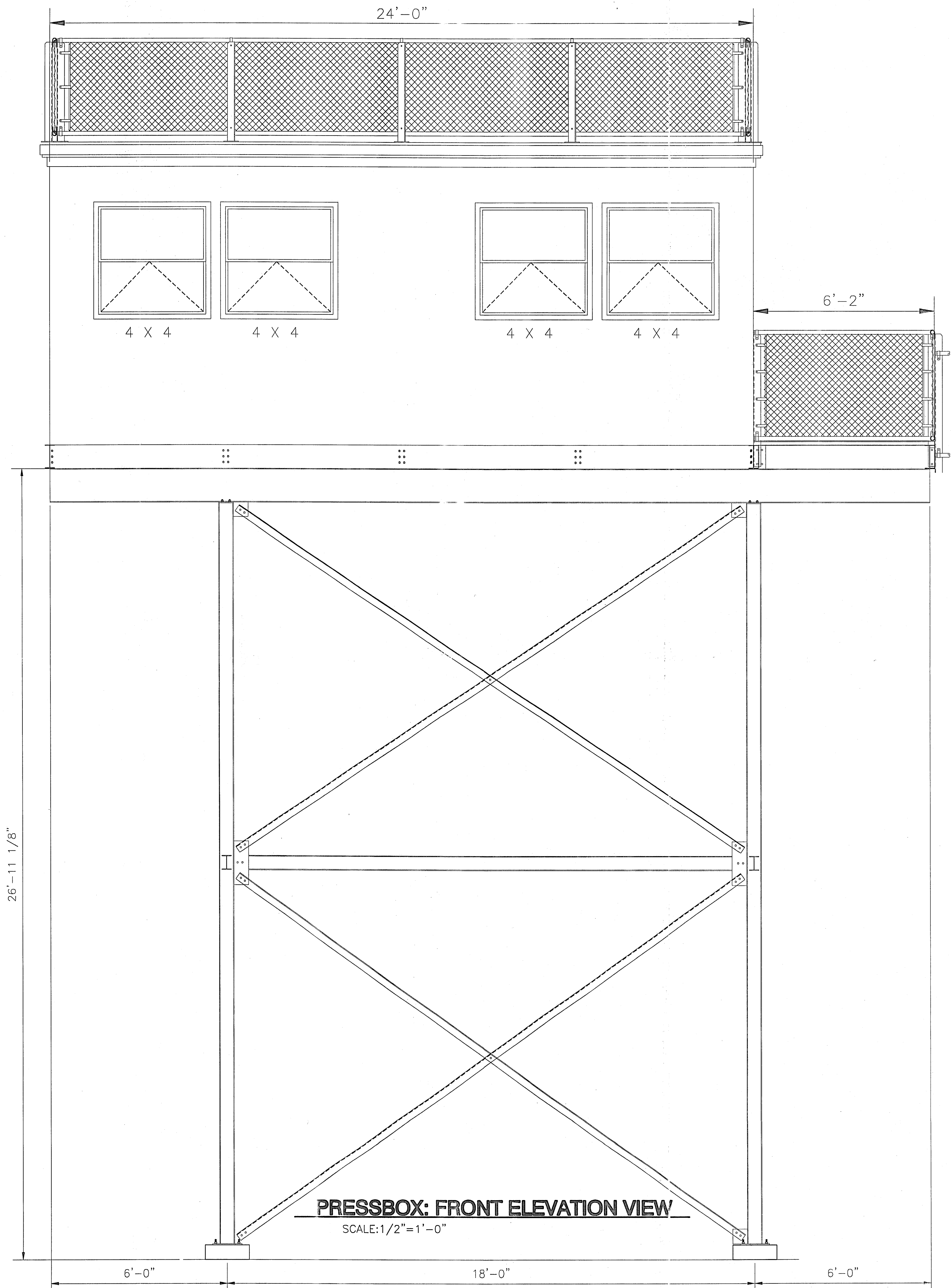


PRESSBOX: SIDE ELEVATION VIEW
SCALE: 1/2" = 1'-0"



PRESSBOX: FRONT ELEVATION VIEW
SCALE: 1/2" = 1'-0"

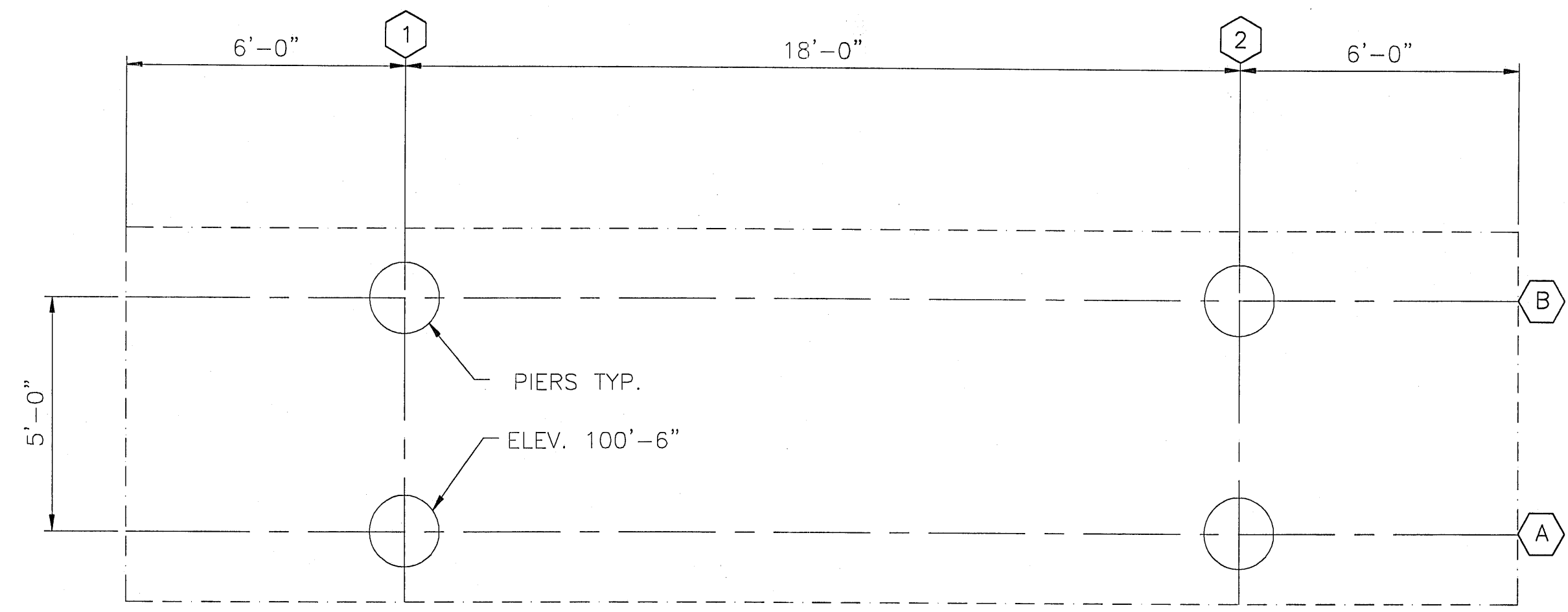
1-10
3-10
DETAIL NUMBER
SHEET SHOWN
SHEET TAKEN FROM

NOT FOR FABRICATION

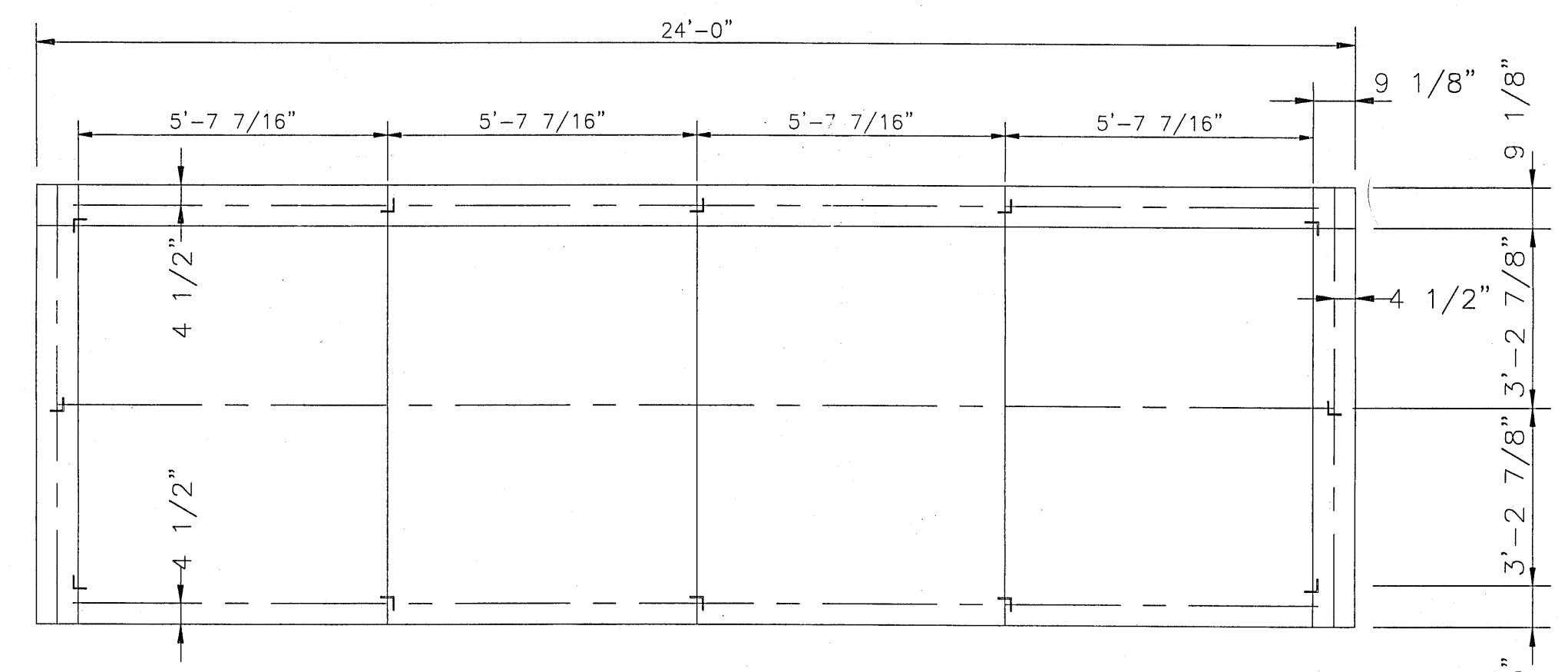
Southern
BLEACHER COMPANY
P.O. BOX ONE • GRAHAM, TEXAS 76450 • 817/549-0733

THE PRESSBOX FOOTING
THE GRAND JUNCTION BASEBALL COMMITTEE
JR. COLLEGE WORLD SERIES
GRAND JUNCTION, COLORADO

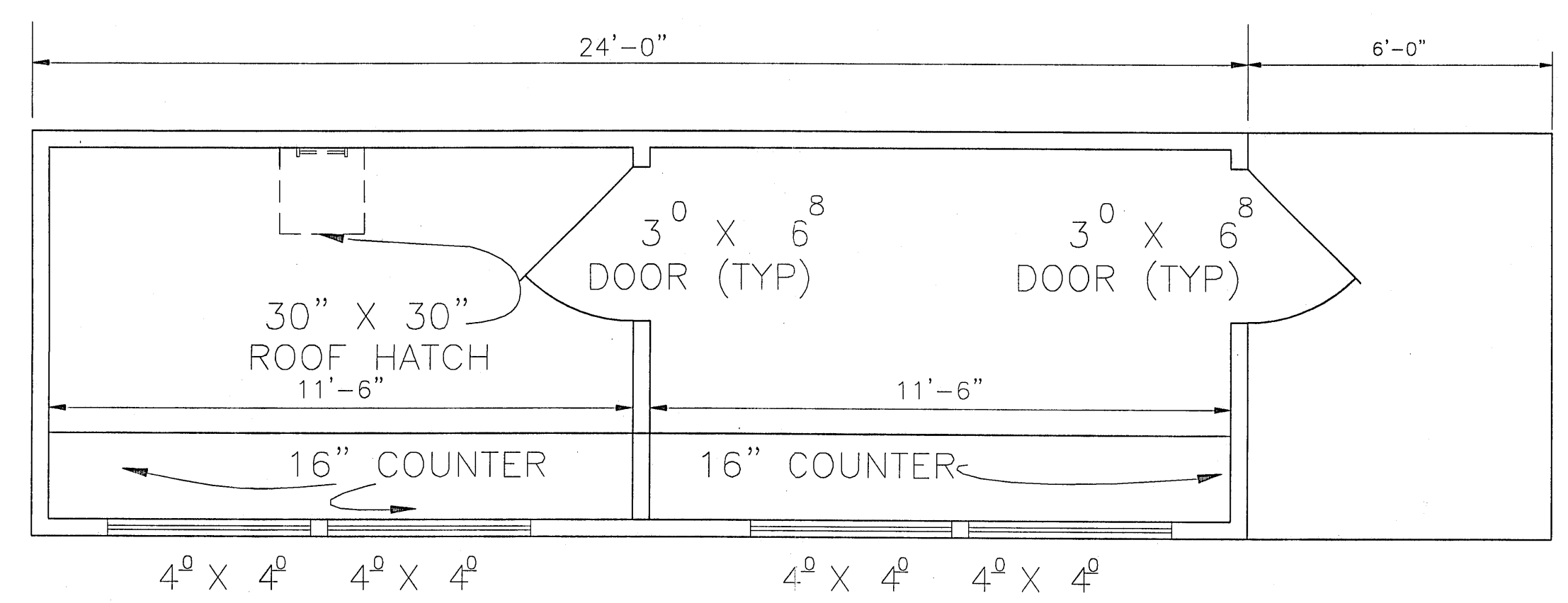
BY	DATE	REV.
NOTED	7/12/96	ws
JOB NUMBER		
96SD132		
SHEET	OF	
1	2	



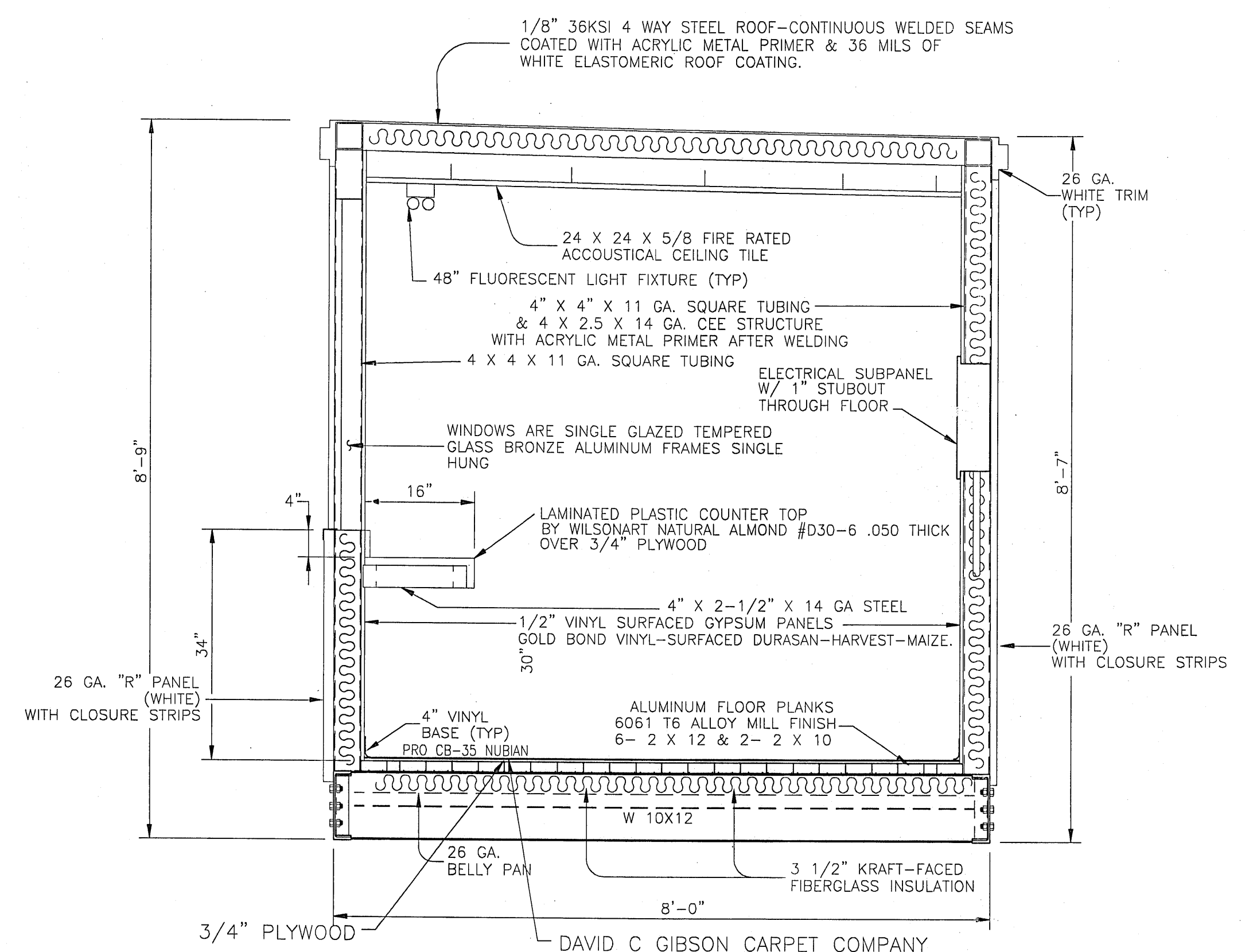
3 PRESSBOX: FOOTING LAYOUT
 SCALE: 3/8"=1'-0"



2 ROOF RAIL LAYOUT
 SCALE: 3/8"=1'-0"

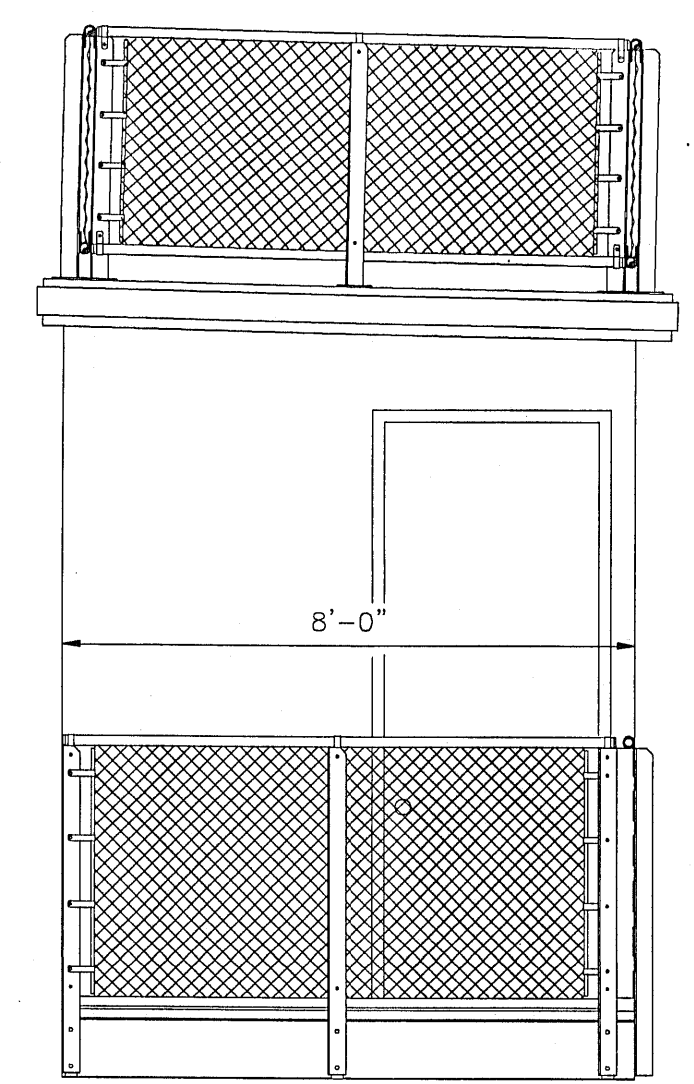


1 PRESSBOX: PLAN VIEW
 SCALE: 3/8"=1'-0"



NOTES:
 ROOF PLATE STEEL IS WELDED ON BOTH SIDES OF RAFTERS WITH 1" LONG 1/8" FILLET WELDS ON 6" CENTERS.
 WALL PANELS ARE ATTACHED WITH #12 TEK SCREWS - 6" O.C. AT THE TOP AND BOTTOM OF THE PANELS AND 12" O.C. AT ANY INTERMEDIATE BRACE.
 LAP SCREWS ARE PLACED AT EACH END OF THE PANELS, AT THE INTERMEDIATE SUPPORTS, AND AT THE MID POINT BETWEEN SUPPORTS (TEK #14).
 FLOOR PLANK IS ATTACHED TO W10 X 12 WITH 2- 2" TEK SCREWS PER END OF PLANK AND AT INTERMEDIATE SUPPORTS.
 26 GAUGE "R" PANEL BELLY PAN AND INSULATION ARE TO BE IN PLACE BEFORE FLOOR PLANK IS INSTALLED.

4 PRESSBOX: WALL SECTION
 N.T.S.



5 PRESSBOX: SIDE ELEVATION VIEW
 SCALE: 3/8"=1'-0"

DETAIL NUMBER 310
 SHEET SHOWN 3
 SHEET TAKEN FROM 10

NOT FOR FABRICATION

Southern BLEACHER COMPANY
 Established 1946
 P.O. BOX ONE • GRAHAM, TEXAS 76650 • 817/546-0723

THIS DRAWING AND ALL INFORMATION THEREIN IS THE PROPERTY OF THE SOUTHERN BLEACHER COMPANY, AND IS CONFIDENTIAL. IT IS NOT TO BE MADE PUBLIC OR REPRODUCED IN ANY MANNER WITHOUT THE WRITTEN CONSENT OF SOUTHERN BLEACHER COMPANY. THIS DRAWING IS LOANED SUBJECT TO RETURN TO OUR OFFICE AND IS NOT TO BE REPRODUCED DIRECTLY OR INDIRECTLY IN ANY WAY DETRIMENTAL TO OUR INTERESTS.

TYPE: 8'-0" X 24'-0" PRESSBOX HUB METAL PRESSBOX

THE GRAND JUNCTION BASEBALL COMMITTEE
 JR. COLLEGE WORLD SERIES
 GRAND JUNCTION, COLORADO

BY	DATE	REV.
NOTED	7/12/96	WS
JOB NUMBER 96SD132		
SHEET 2	OF 2	