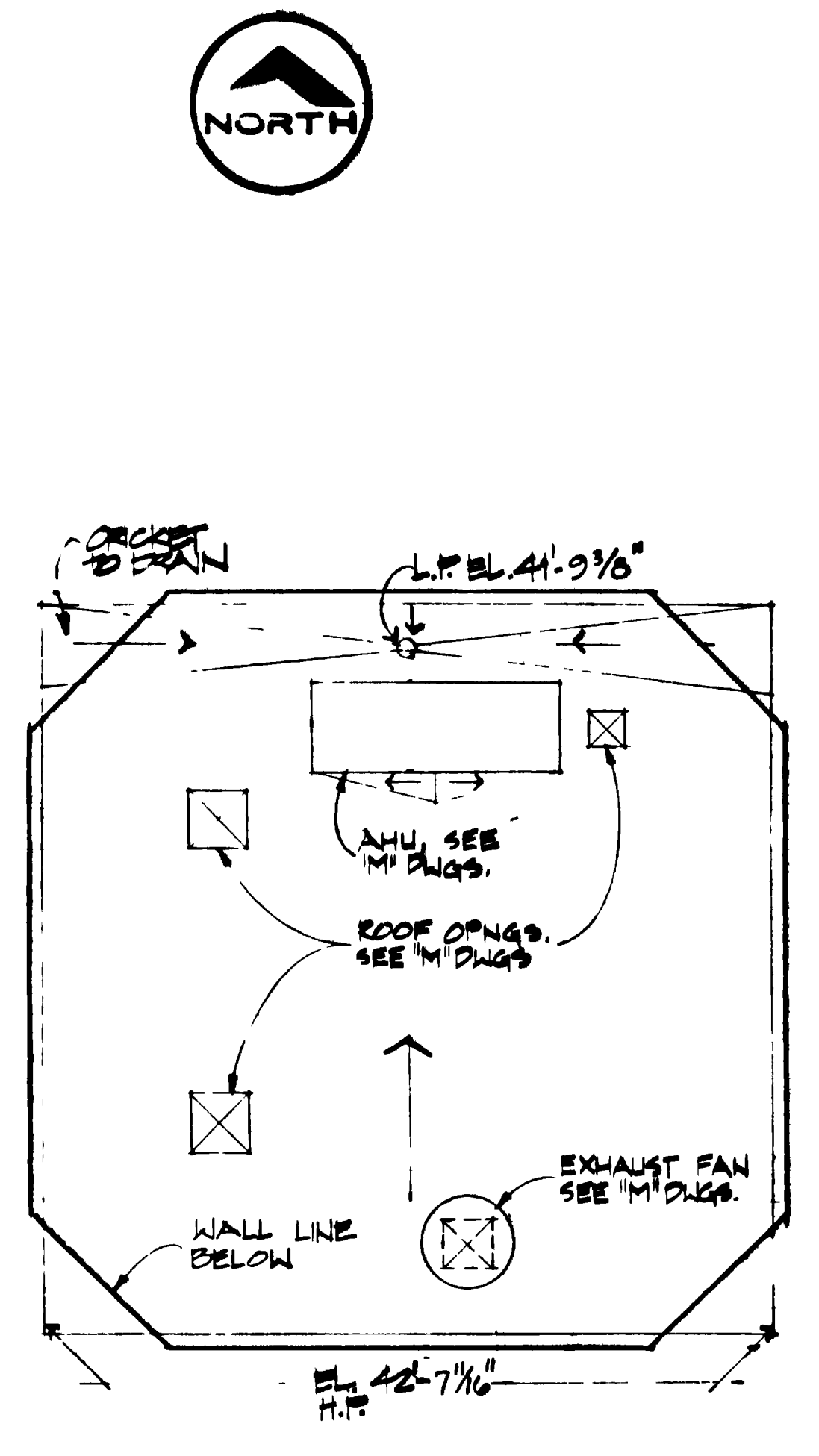


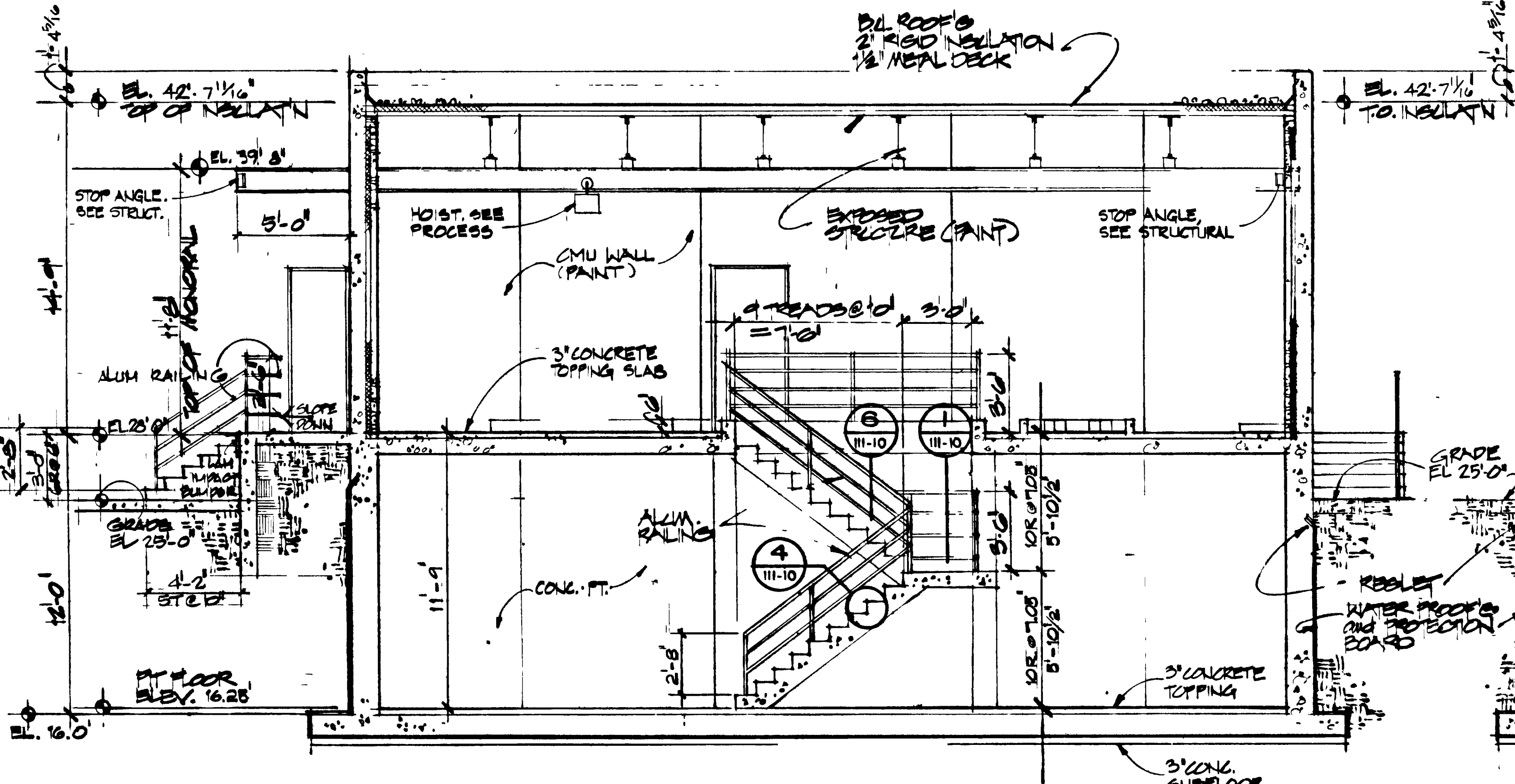
**PIT FLOOR PLAN**  
SCALE: 1/4" = 1'-0"

NOTE: DOME COVERS ON PRIMARY CLARIFIERS ARE INCLUDED IN CONSTRUCTION SCHEDULE "C." SEE SPECIFICATIONS.

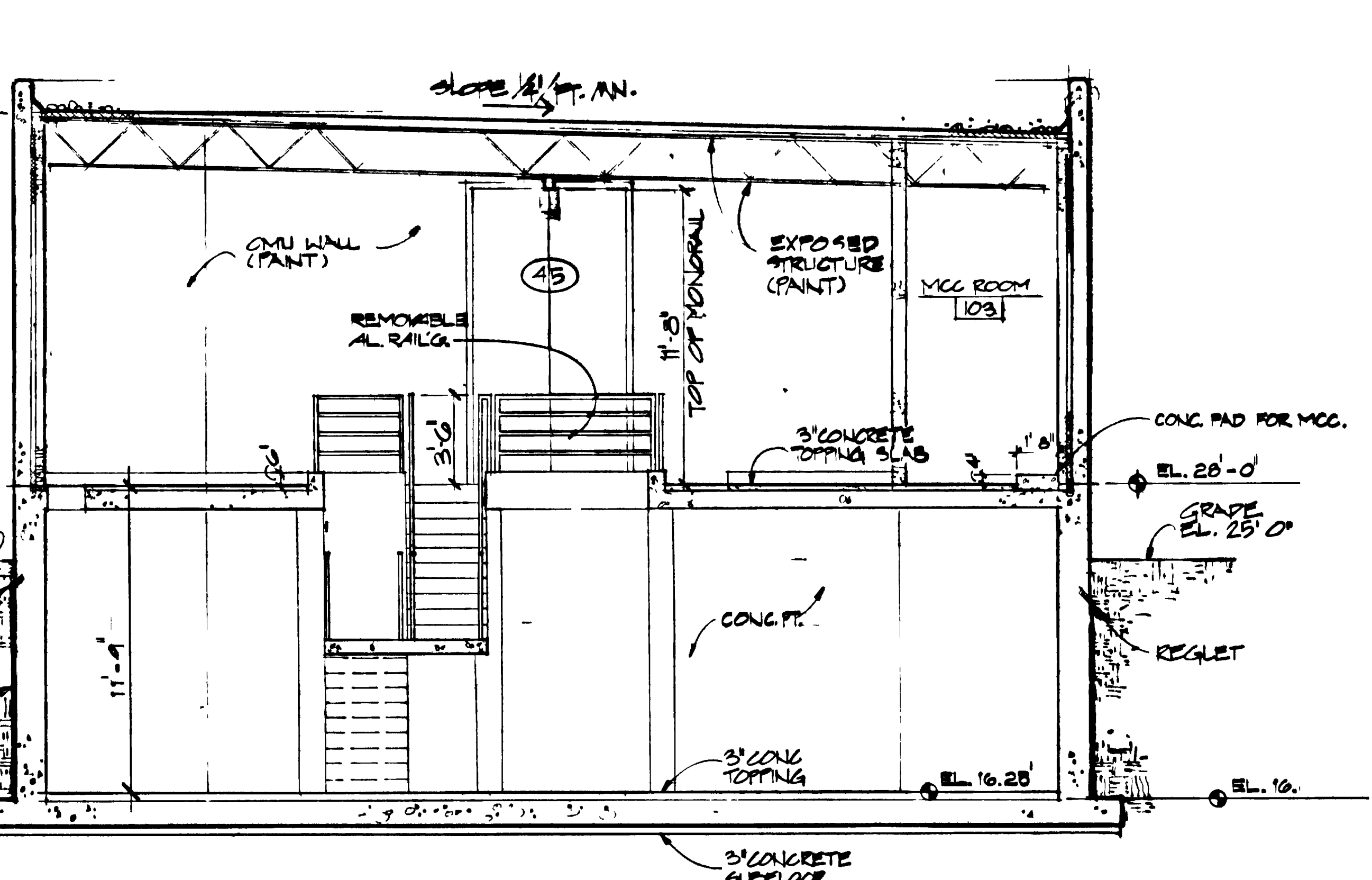
**GROUND FLOOR PLAN**  
SCALE: 1/4" = 1'-0"



**ROOF PLAN**  
SCALE: 1/8" = 1'-0"

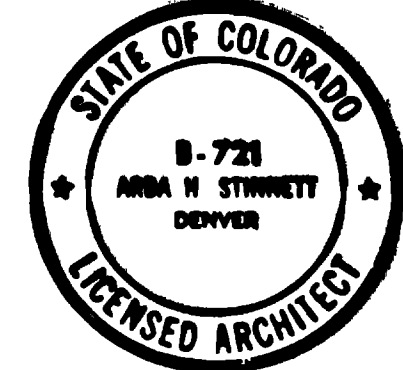


**SECTION A**  
SCALE: 1/4" = 1'-0"

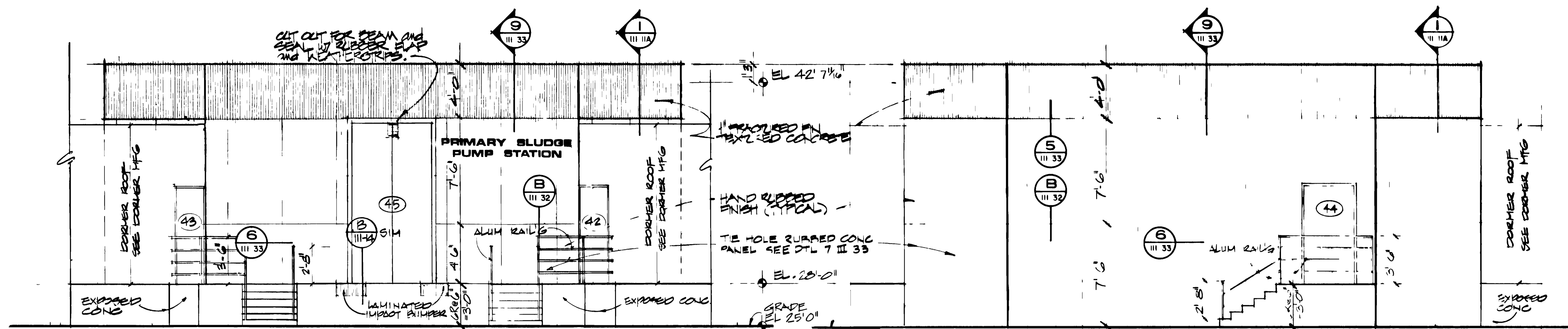


**SECTION B**  
SCALE: 1/4" = 1'-0"

"AS RECORDED"  
FROM INFORMATION  
PROVIDED BY THE  
CONTRACTOR  
DATE: NOV 1980

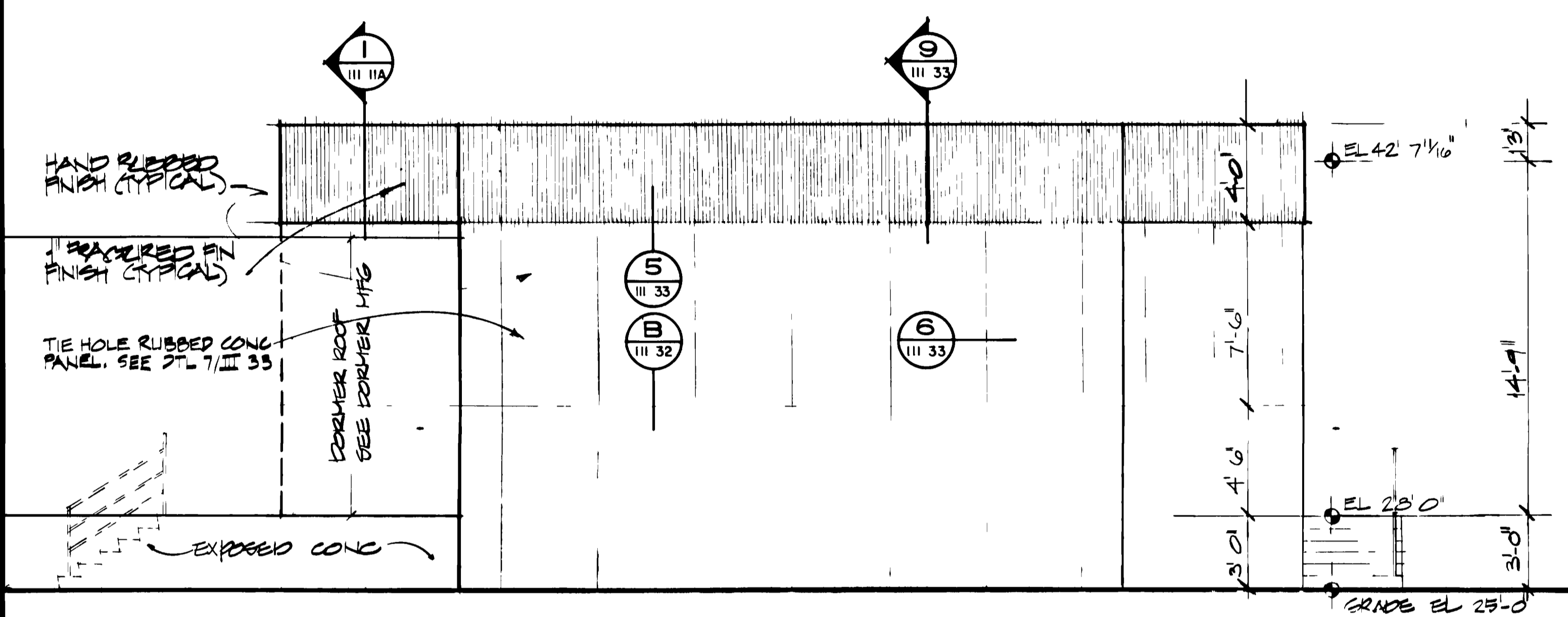


GRAND JUNCTION / MESA COUNTY, COLORADO  
**PERSIGO WASH WASTEWATER TREATMENT PLANT**  
SECTION III ARCHITECTURAL  
**PRIMARY SLUDGE PUMP STATION**  
PLANS, SECTIONS  
MINNINGSON, DURHAM & RICHARDSON, INC.  
ENGINEERS - PLANNERS - CONSULTANTS  
DENVER, COLORADO GRAND JUNCTION, COLORADO  
JOB DESIGNED P. KRONE CHECKED A. STINNETT DRAWN BY DATE NOV. 1980  
DATE 11/7/80 BY B.M.F. APPROV. DATE

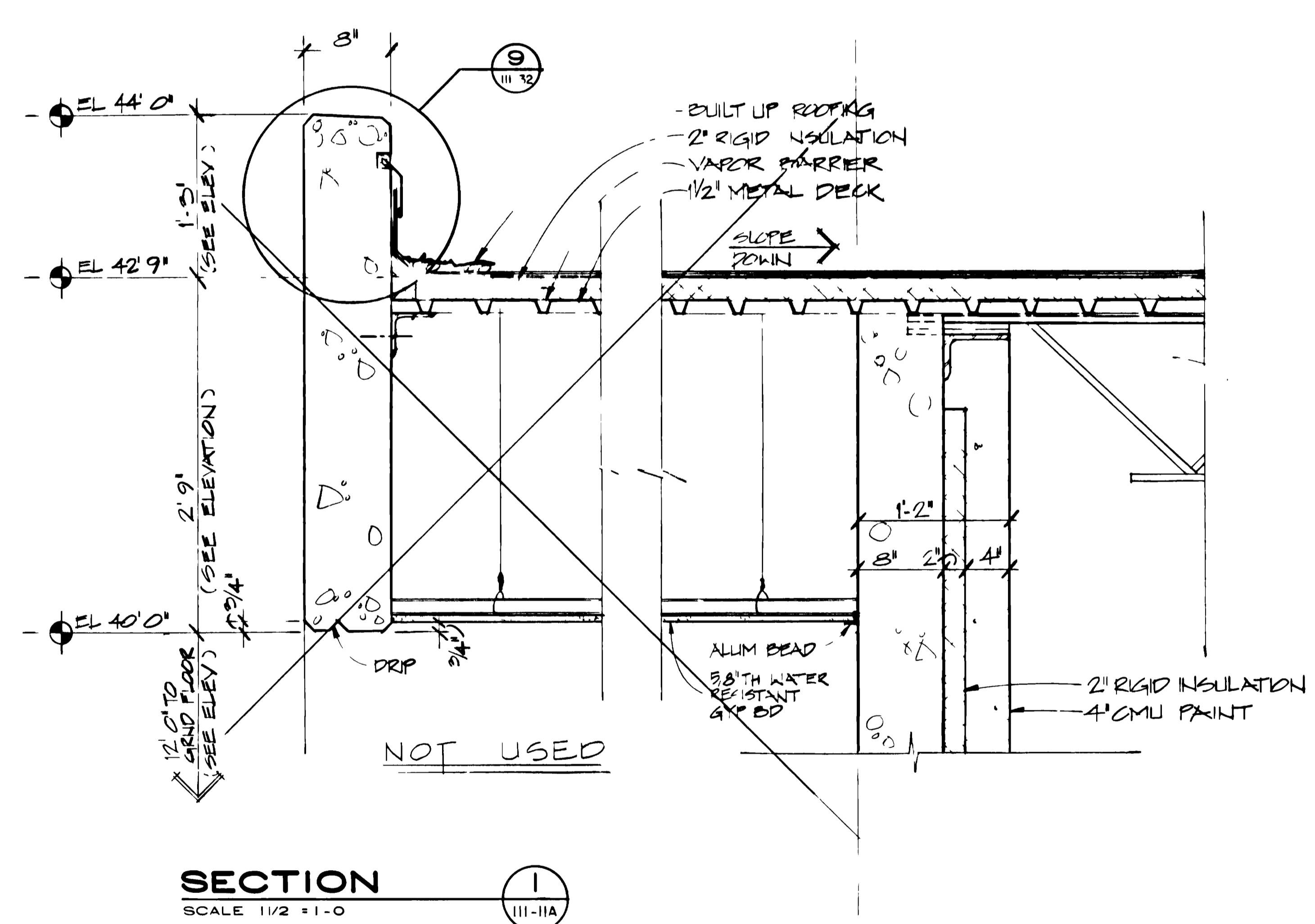


**WEST ELEVATION**  
SCALE 1/4" = 1'-0"

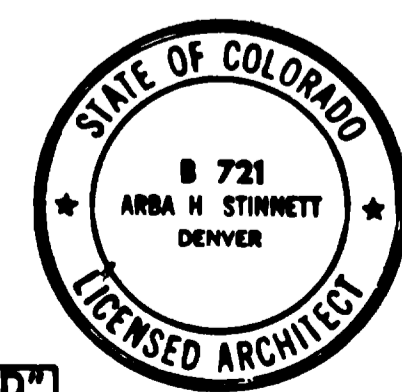
**EAST ELEVATION**  
SCALE 1/4" = 1'-0"



**SOUTH ELEVATION  
(NORTH ELEVATION  
OPPOSITE HAND)**  
SCALE 1/4" = 1'-0"



**SECTION I III-11A**  
SCALE 1 1/2" = 1'-0"



"AS RECORDED"  
FROM INFORMATION  
PROVIDED BY THE  
CONTRACTOR  
DATE MAY 1988

**GRAND JUNCTION / MESA COUNTY,  
COLORADO**  
**PERSIGO WASH  
WASTEWATER TREATMENT  
PLANT**

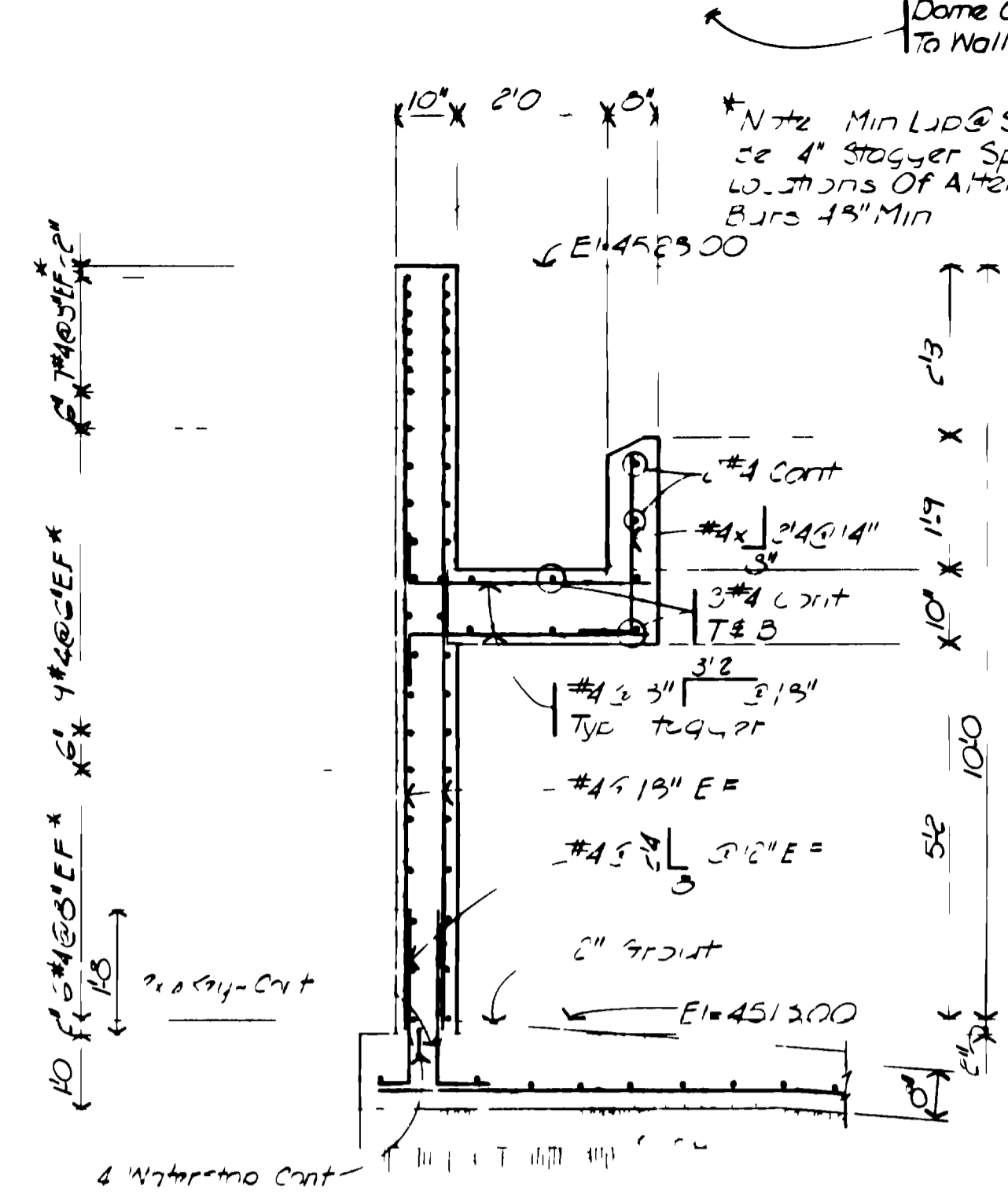
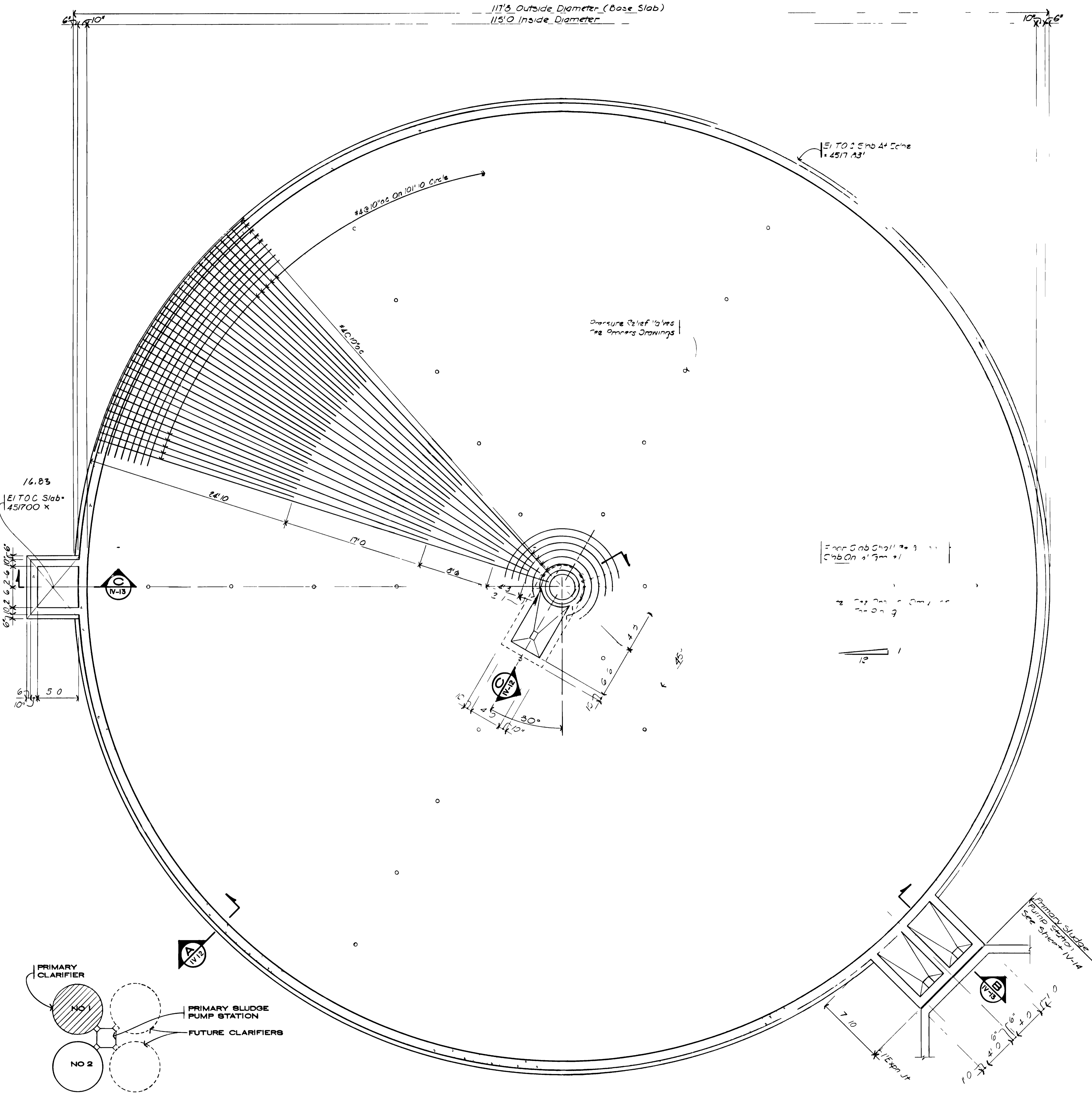
SECTION III ARCHITECTURAL  
**PRIMARY SLUDGE  
PUMP STATION**  
DETAILS, ELEVATIONS

**HENNINGSON, DURHAM & RICHARDSON, INC.**  
ENGINEERS PLANNERS CONSULTANTS  
DENVER COLORADO GRAND JUNCTION COLORADO

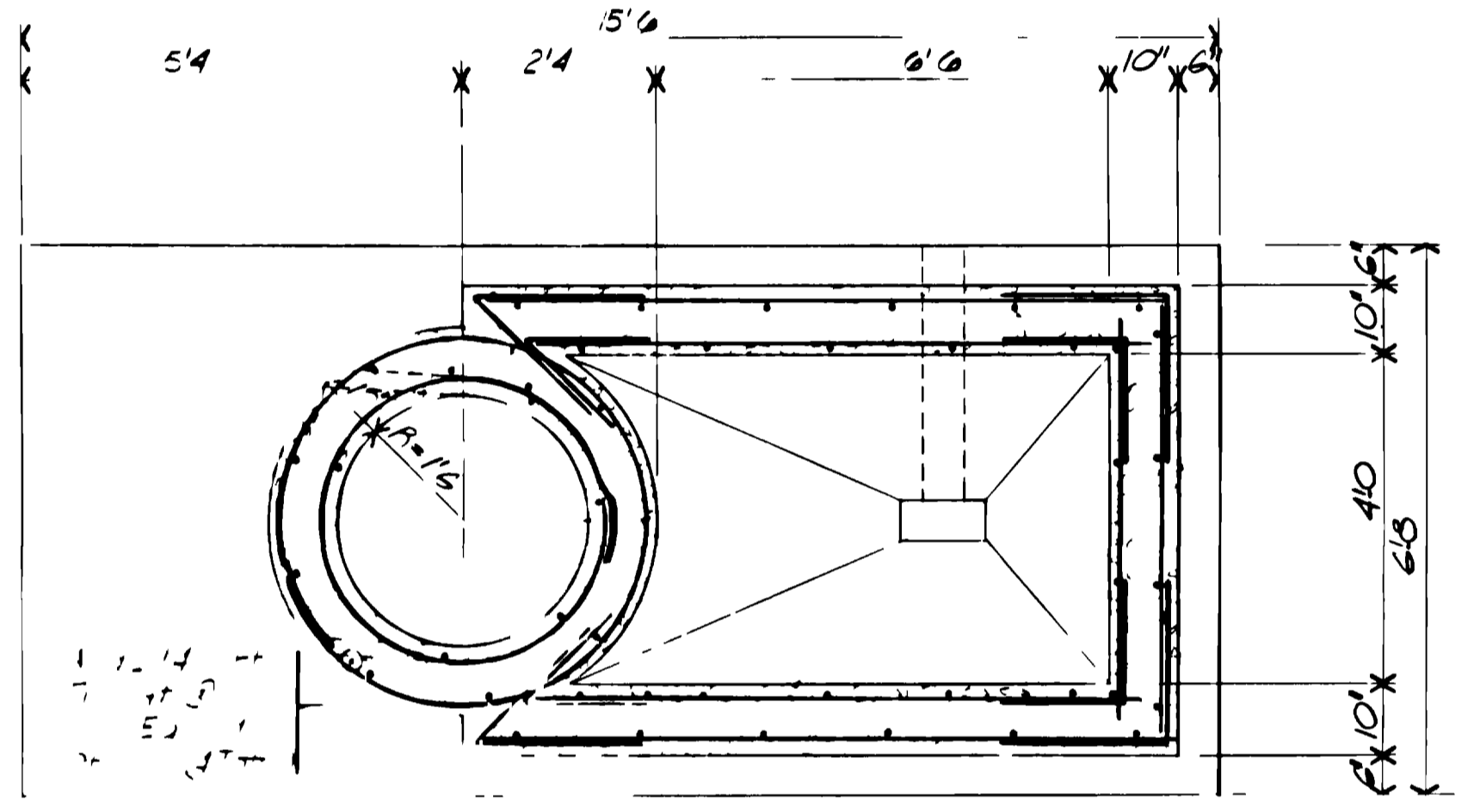
DESIGNED P. KWON  
CHECKED A. STINNETT  
APPROVED K. HENRICHSEN  
DATE NOV 1980

DATE MAY 1988  
DESCRIPTION REVISIONS  
DRAWN BY  
MADE  
APPROV

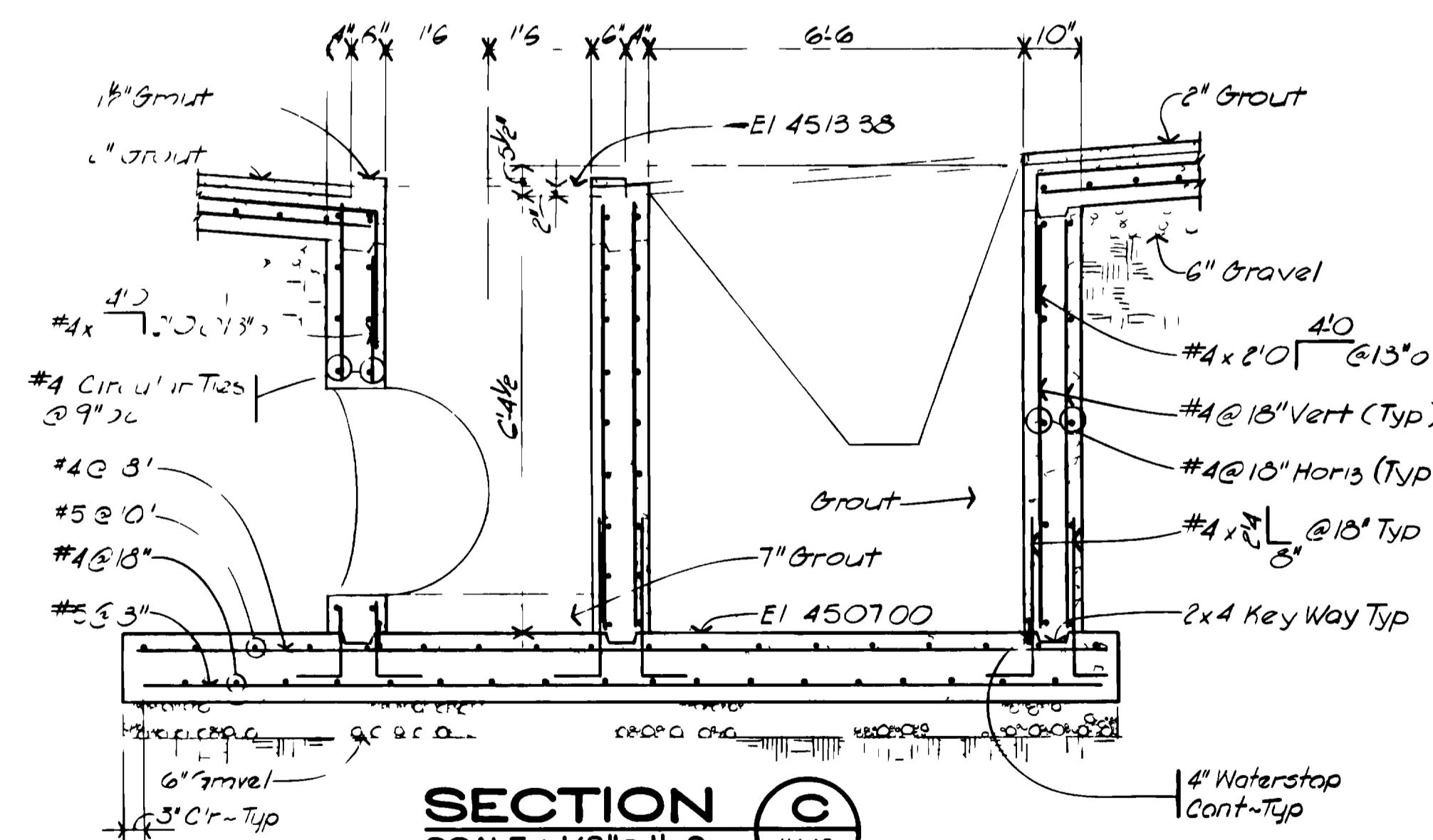
SHEET  
III-11A



**SECTION A**  
SCALE: 1/2" = 1'-0"  
IV-12



**PLAN SECTION B**  
SCALE: 1/2" = 1'-0"  
IV-12



**SECTION C**  
SCALE: 1/2" = 1'-0"  
IV-12

**KEY PLAN**  
SCALE: 1" = 100'

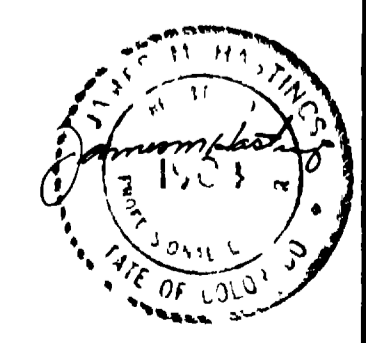


**FLOOR PLAN**  
SCALE: 3/16" = 1'-0"

NOTE: CLARIFIER NO 2 SIMILAR AND OPPOSITE HAND

07087868.tif

"AS RECORDED"  
FROM INFORMATION  
PROVIDED BY THE  
CONTRACTOR  
DATE: MAY 1988



**GRAND JUNCTION / MESA COUNTY, COLORADO**  
**PERSIGO WASH WASTE WATER TREATMENT PLANT**

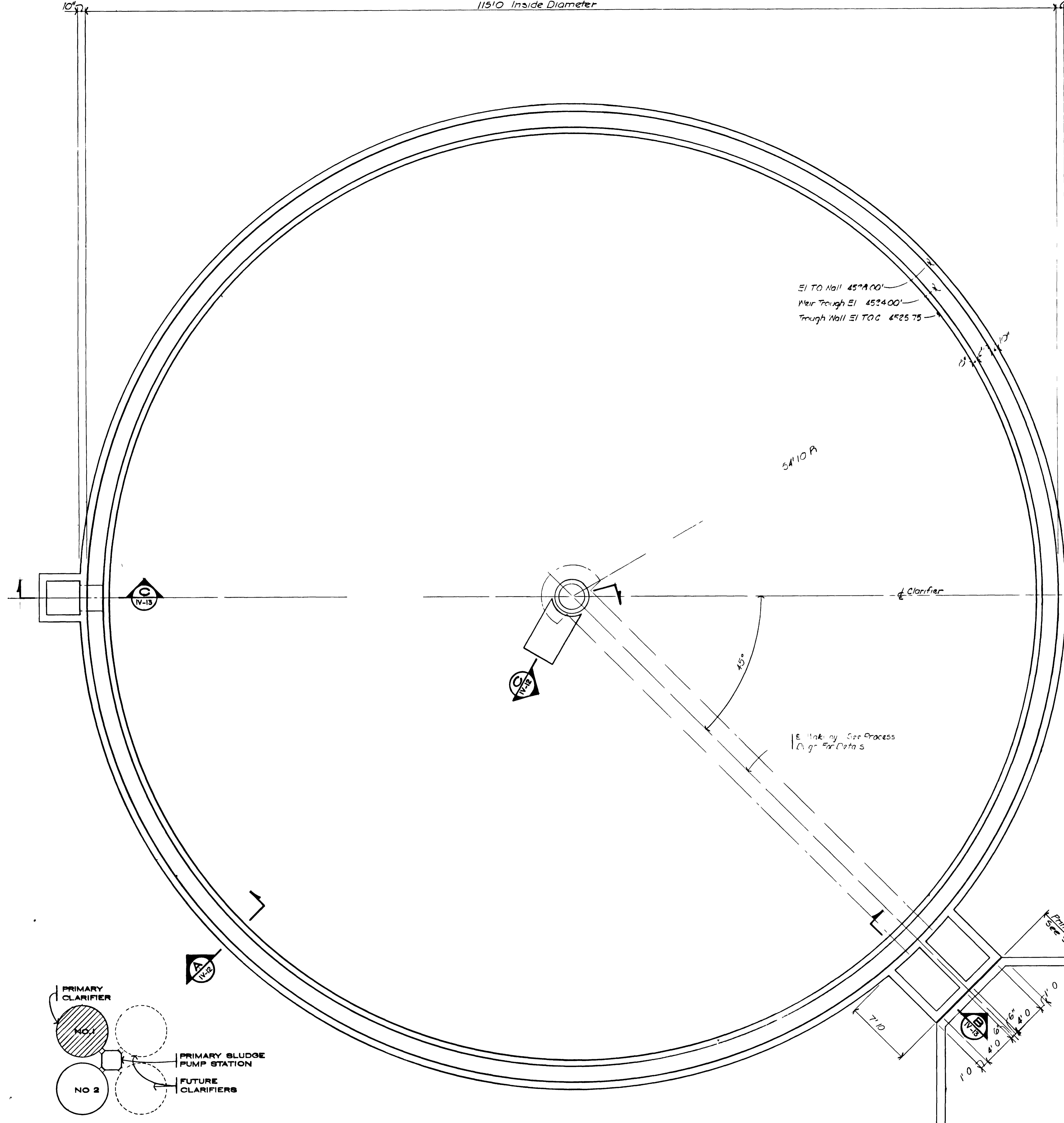
SECTION IV STRUCTURAL

**PRIMARY CLARIFIER**  
**FLOOR PLAN AND SECTIONS**

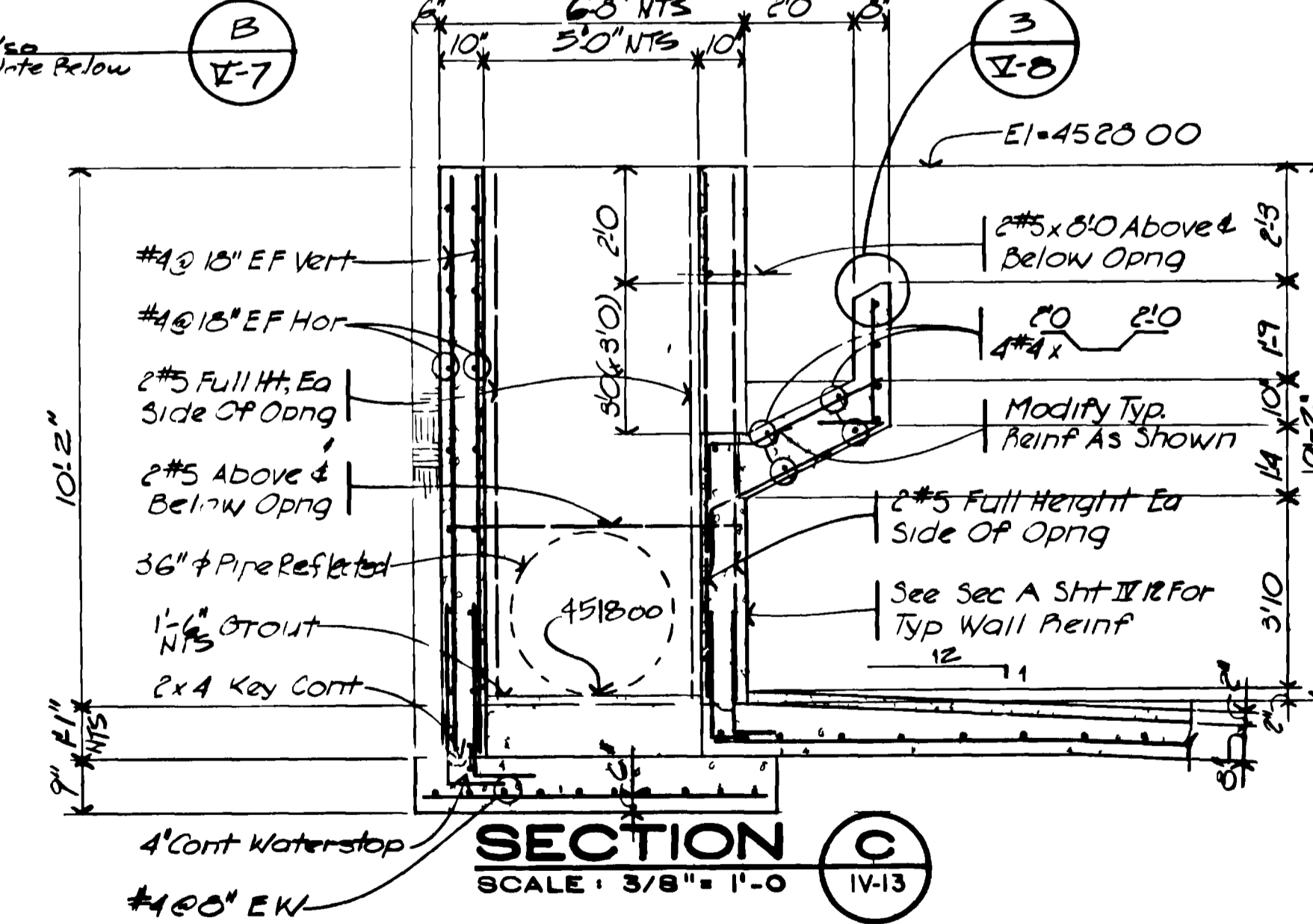
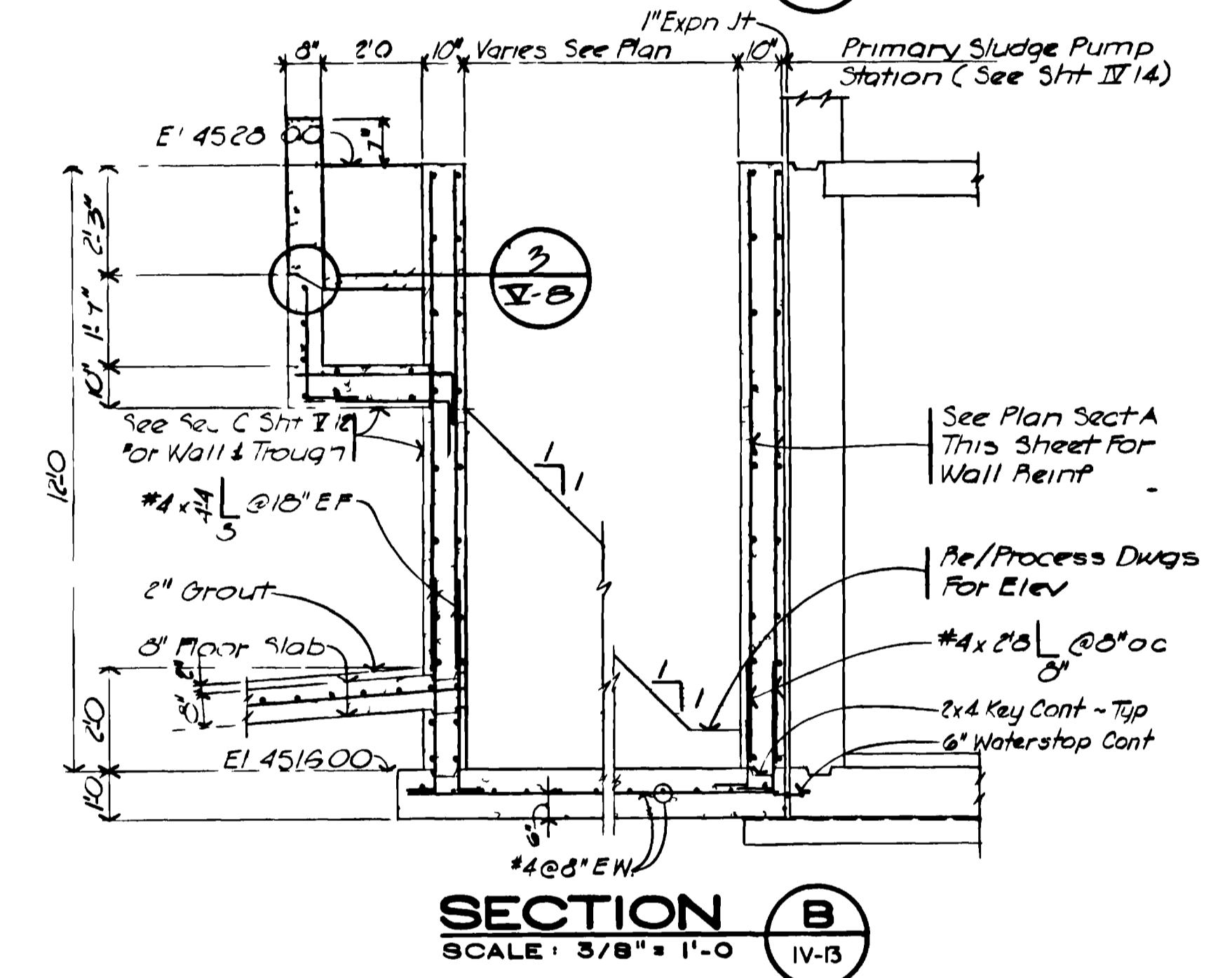
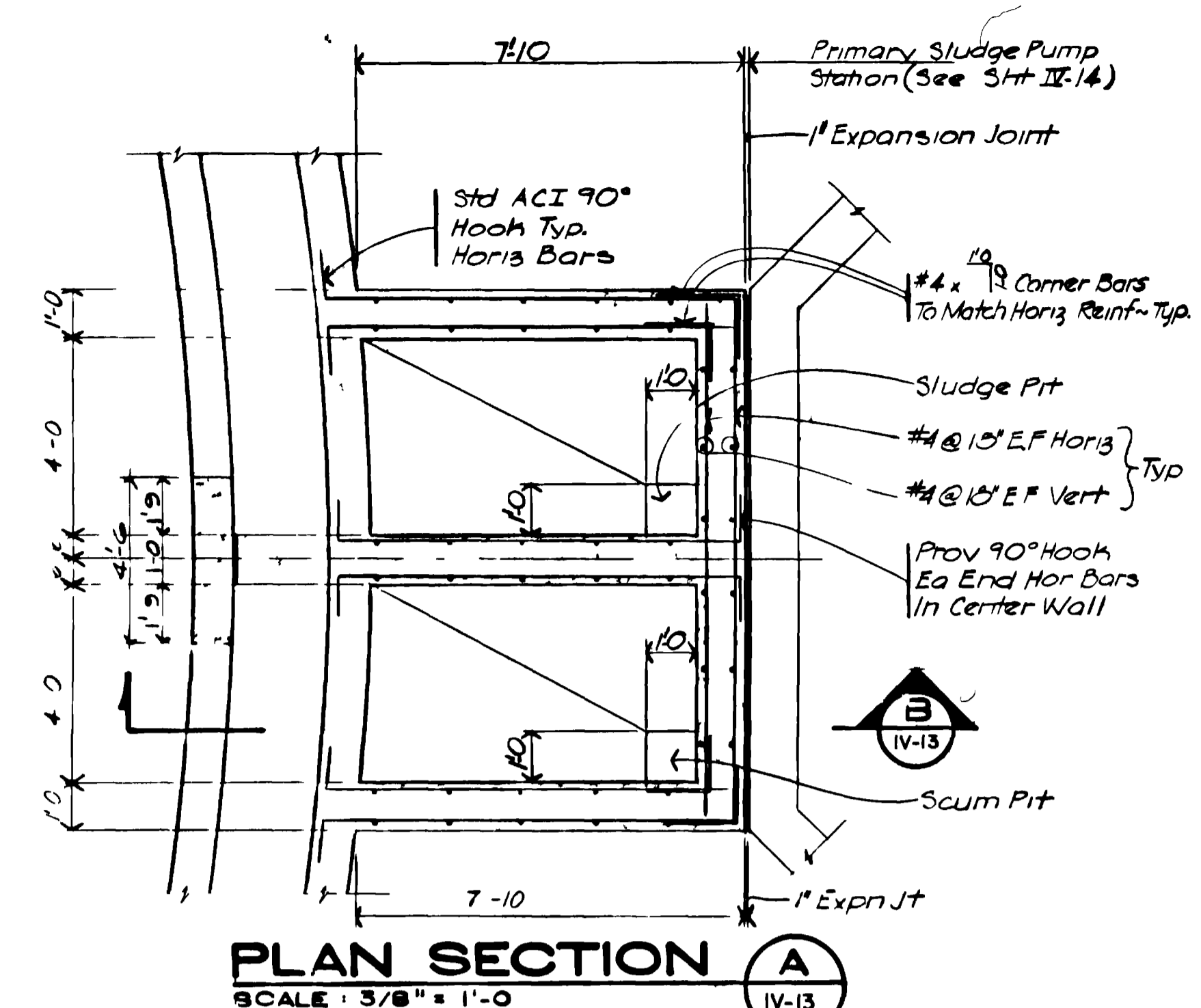
**HENNINGSON DURHAM & RICHARDSON, INC.**  
ENGINEERS PLANNERS CONSULTANTS  
DENVER COLORADO GRAND JUNCTION COLORADO

NO.	DATE	DESCRIPTION	BY	APPROV.
1	6/1/88	AS BUILT	CEL	
2				

JOB NO.	DESIGNED	CHECKED	DATE	DATE	SHEET
734510	RLS	JMH			IV-12
	RNT				



See Process  
Sht 74B  
for Slope  
at Base



NOTE  
DETAIL AT CLARIFIER NO 2 IS SIMILAR  
EXCEPT FOR PIPE INVERT ELEVATIONS  
SEE G-V-7 AND PROFILE OF LINES  
11, 12, & 13 SHEET II-7

GRAND JUNCTION / MESA COUNTY,  
COLORADO  
**PERRIGO WASH  
WASTE WATER TREATMENT  
PLANT**

SECTION IV STRUCTURAL

**PRIMARY CLARIFIER  
TROUGH PLAN AND SECTIONS**

WINNINGTON, BURHAM & RICHARDSON, INC.  
ENGINEERS, PLANNERS & CONSULTANTS  
DENVER, COLORADO GRAND JUNCTION, COLORADO

NO. 734510 SHEET IV-13  
DATE: MAY 1995

KEY PLAN  
SCALE: 1" = 100'

**TROUGH PLAN**  
SCALE: 3/16" = 1'-0"

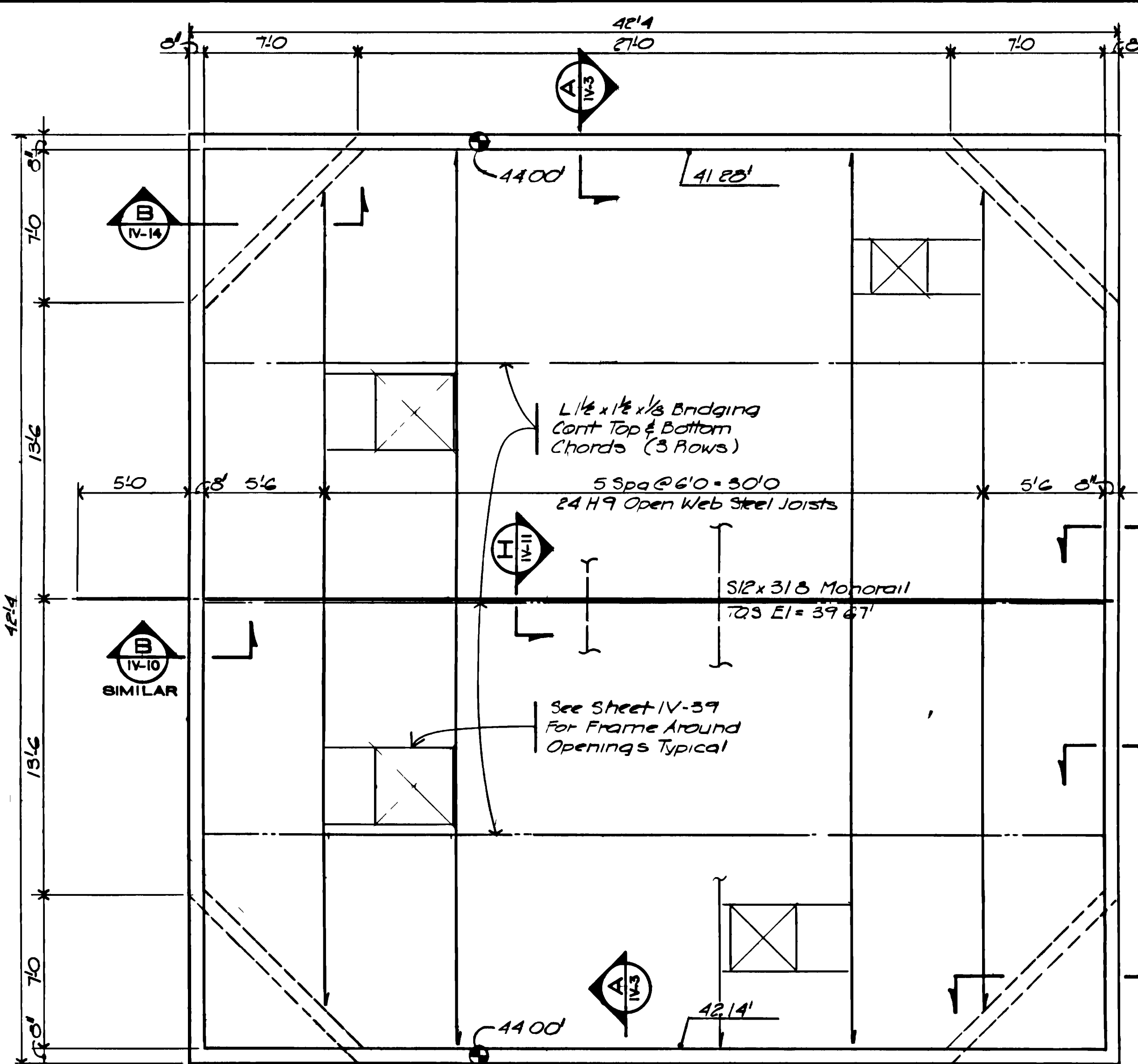
NOTE: CLARIFIER NO 2 SIMILAR  
AND OPPOSITE HAND

"AS RECORDED"  
FROM INFORMATION  
PROVIDED BY THE  
CONTRACTOR  
DATE: MAY 1995

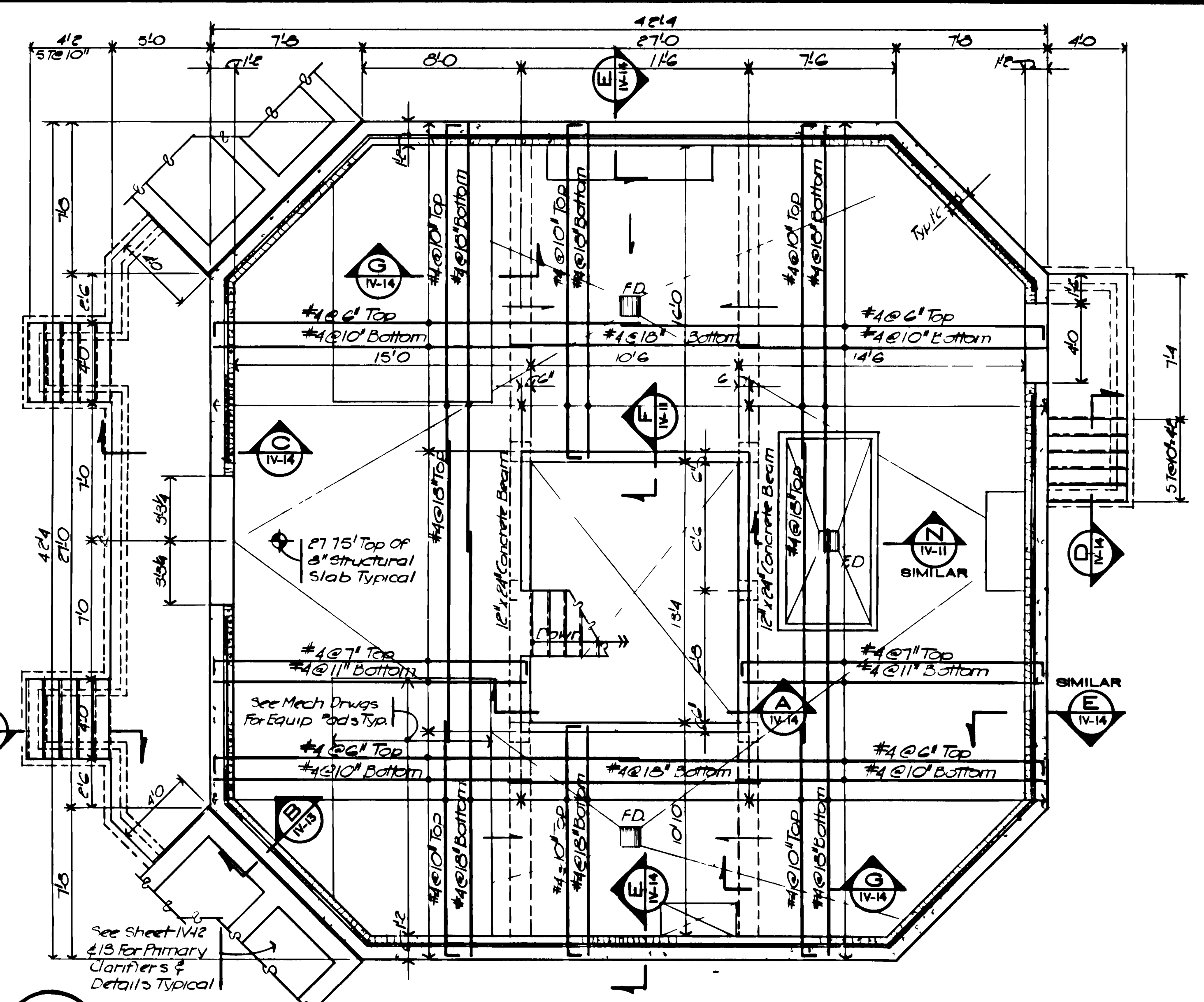
DATE	DESCRIPTION	BY	APP'D
MAY 1995	AS BUILT	JMH	JMH

07087869.tif

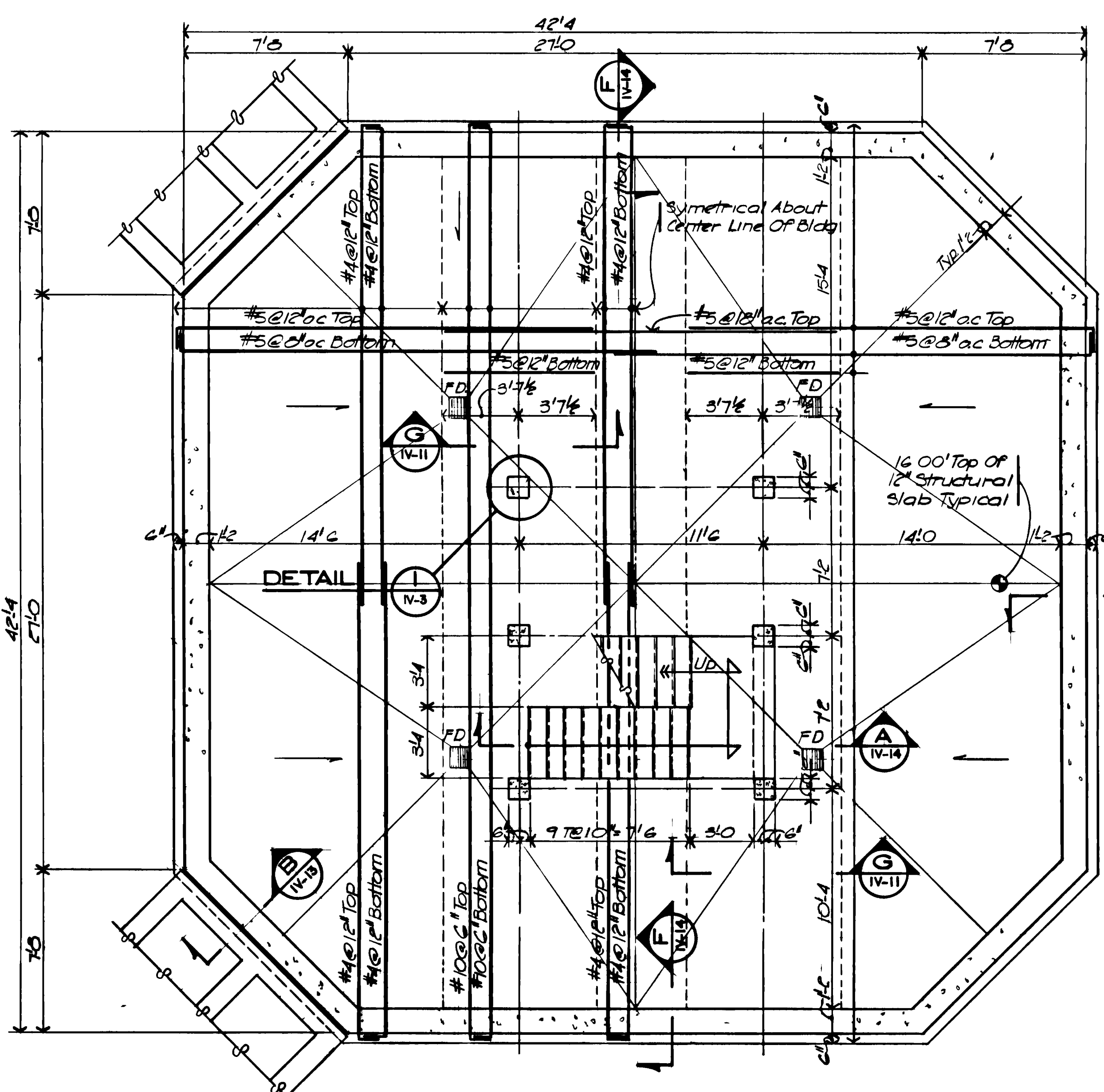
DWG TO OF 191



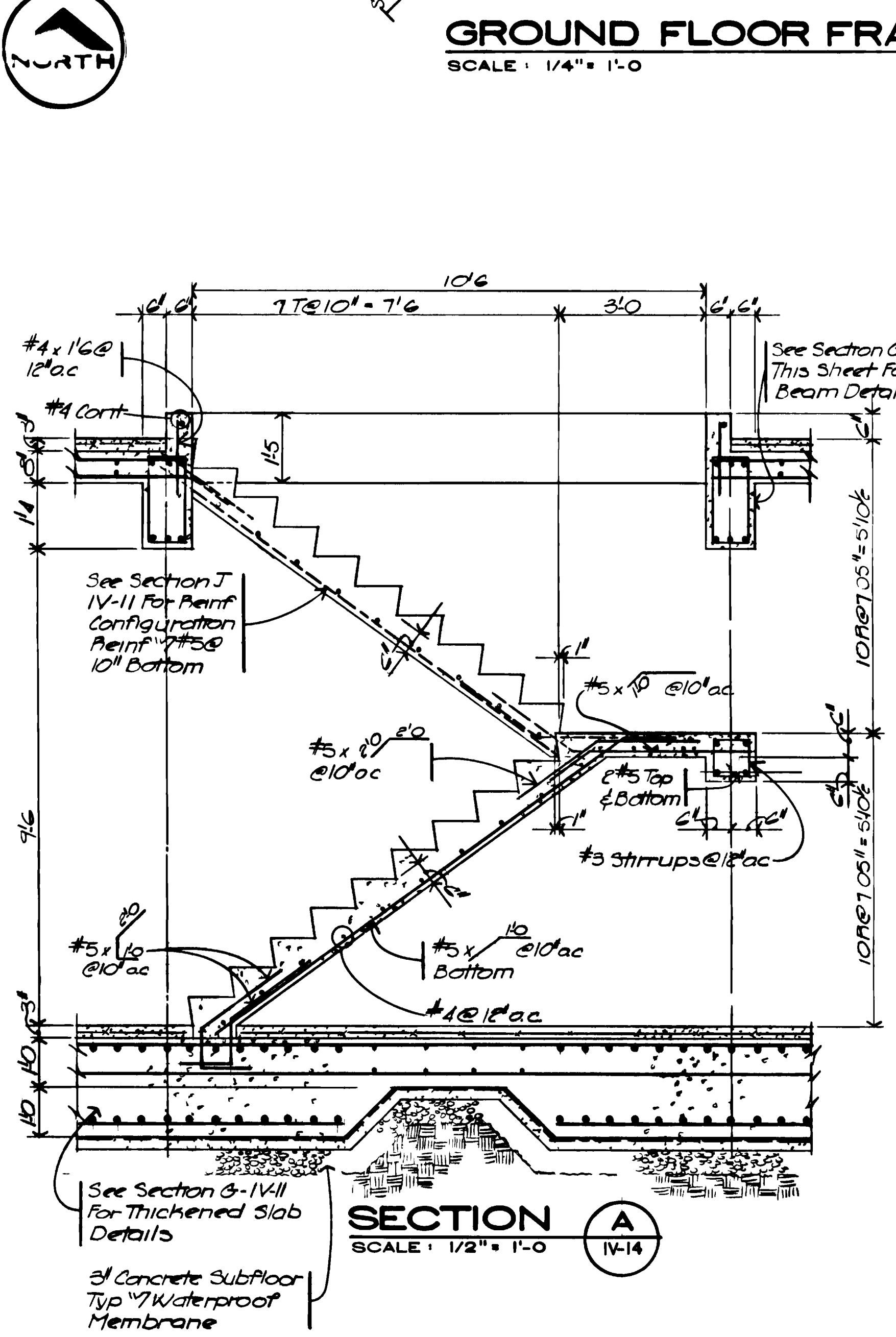
**ROOF FRAMING PLAN**  
SCALE: 1/4" = 1'-0"



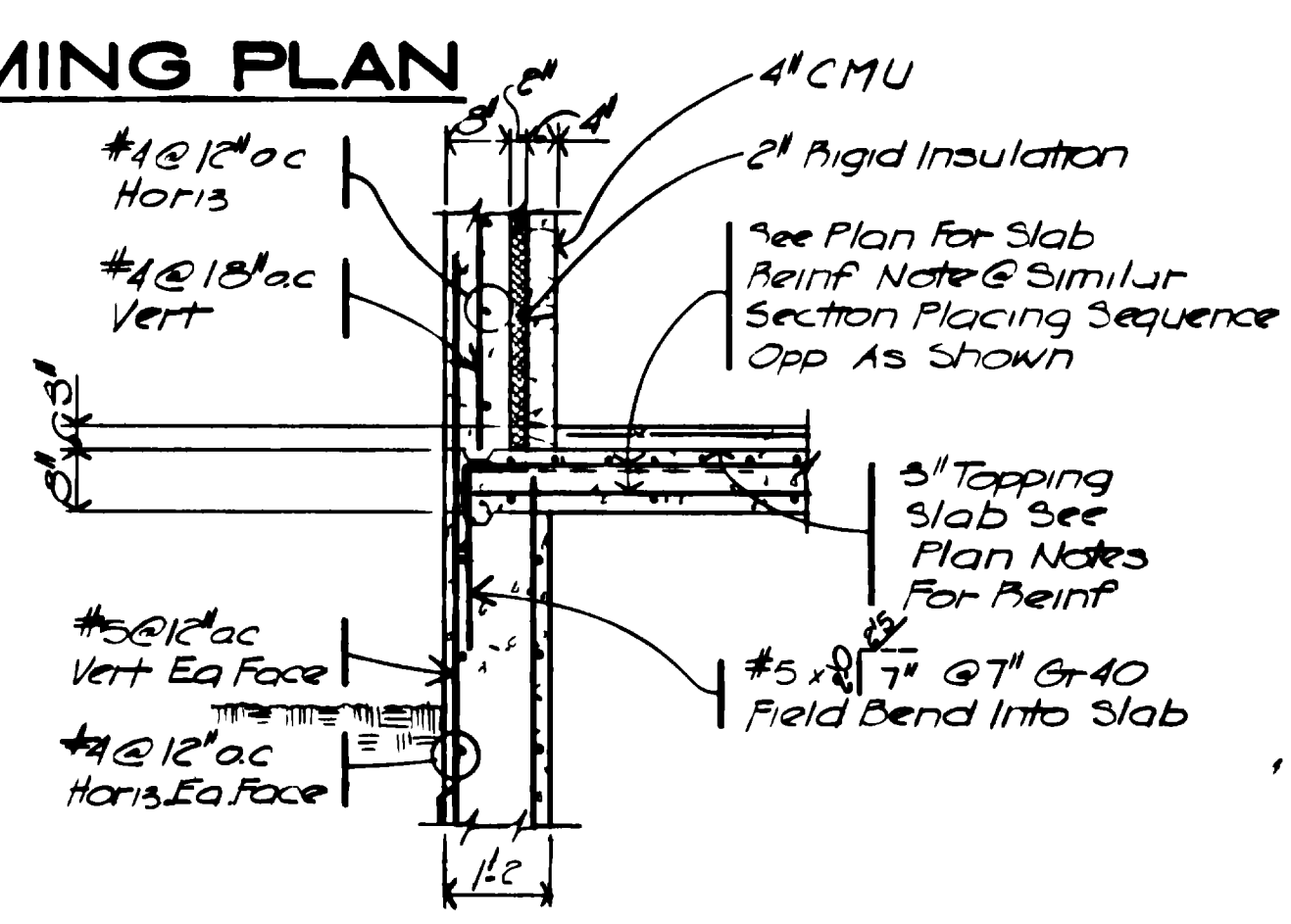
**GROUND FLOOR FRAMING PLAN**  
SCALE: 1/4" = 1'-0"



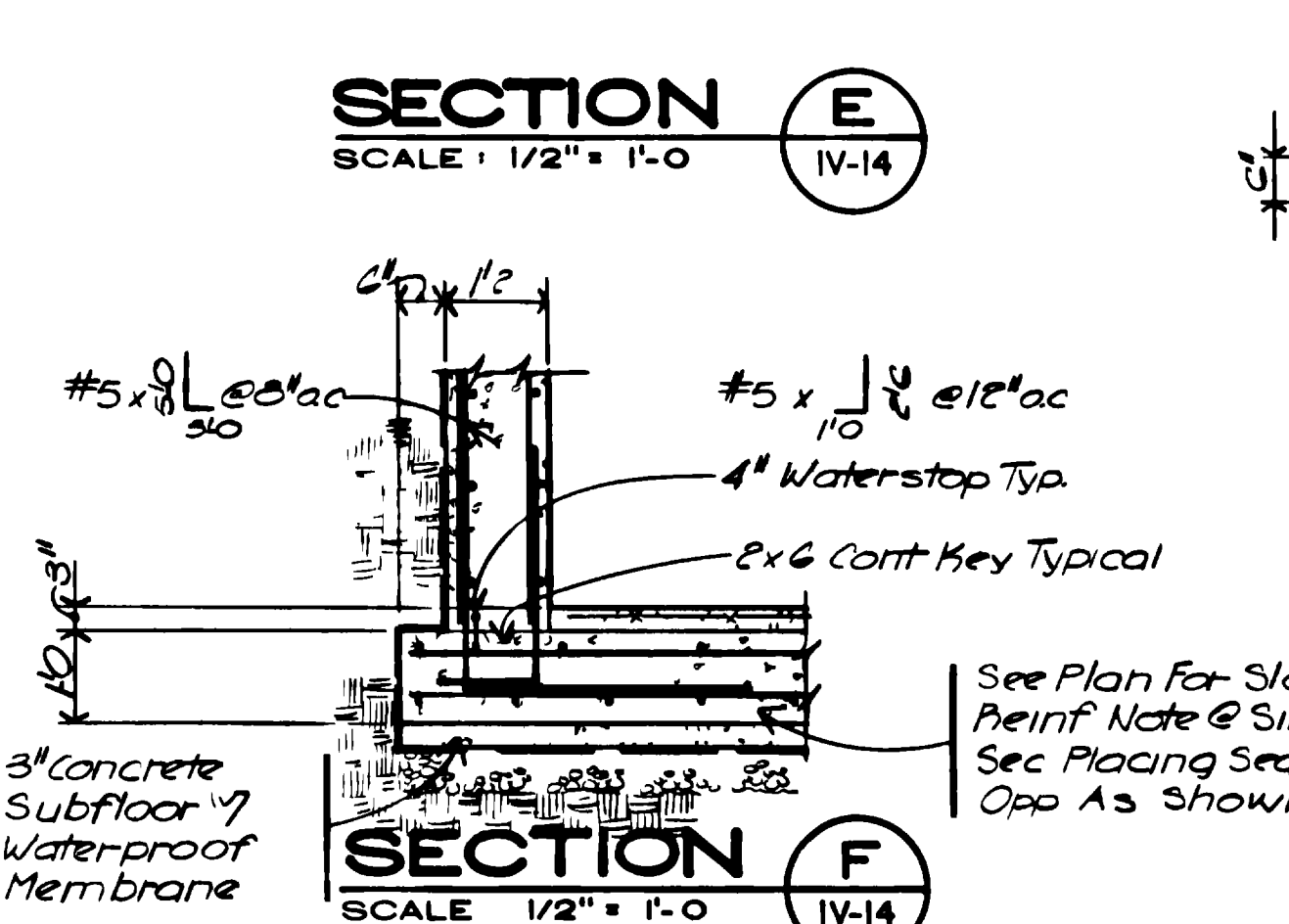
**PIT FLOOR FRAMING PLAN**  
SCALE: 1/4" = 1'-0"



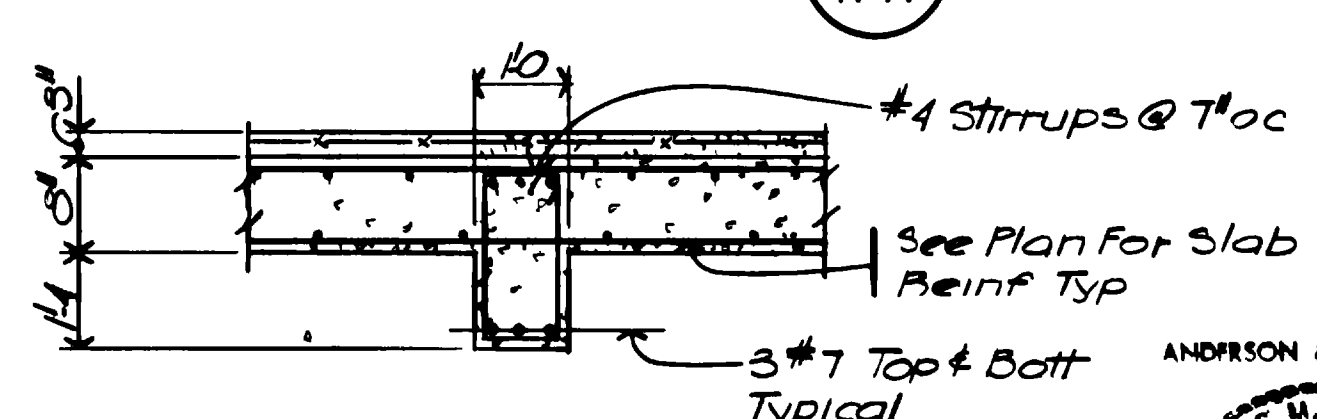
**SECTION A**  
SCALE: 1/2" = 1'-0"



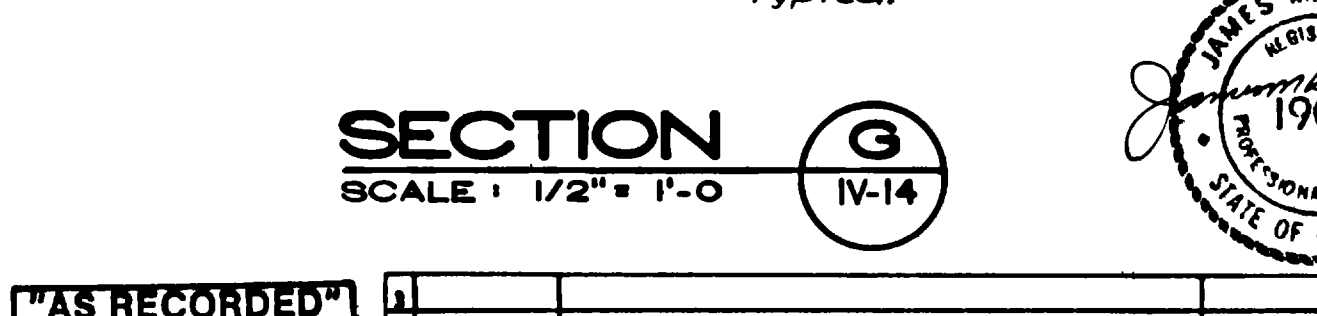
**SECTION B**  
SCALE: 1/2" = 1'-0"



**SECTION C**  
SCALE: 1/2" = 1'-0"

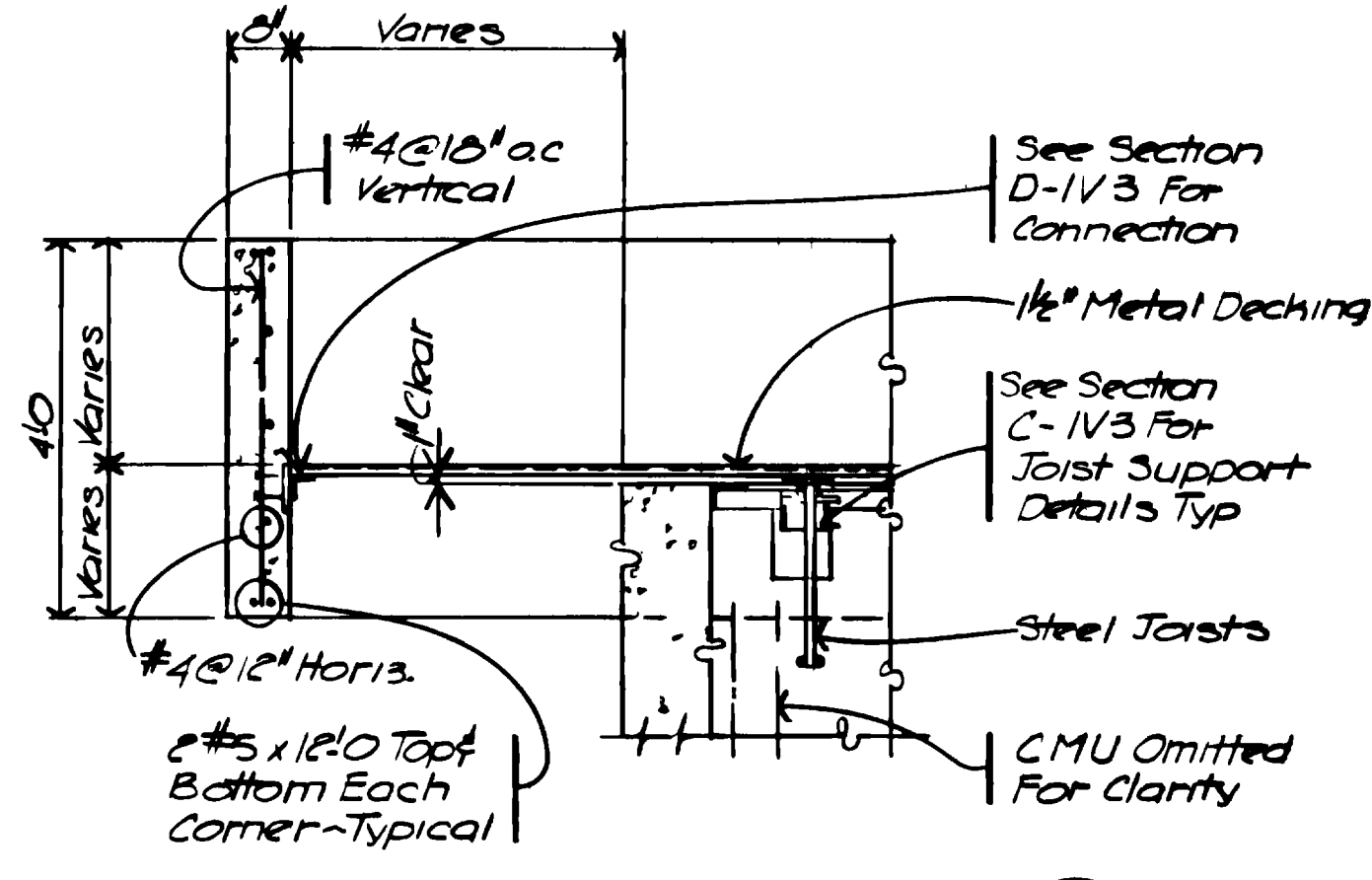


**SECTION D**  
SCALE: 1/2" = 1'-0"

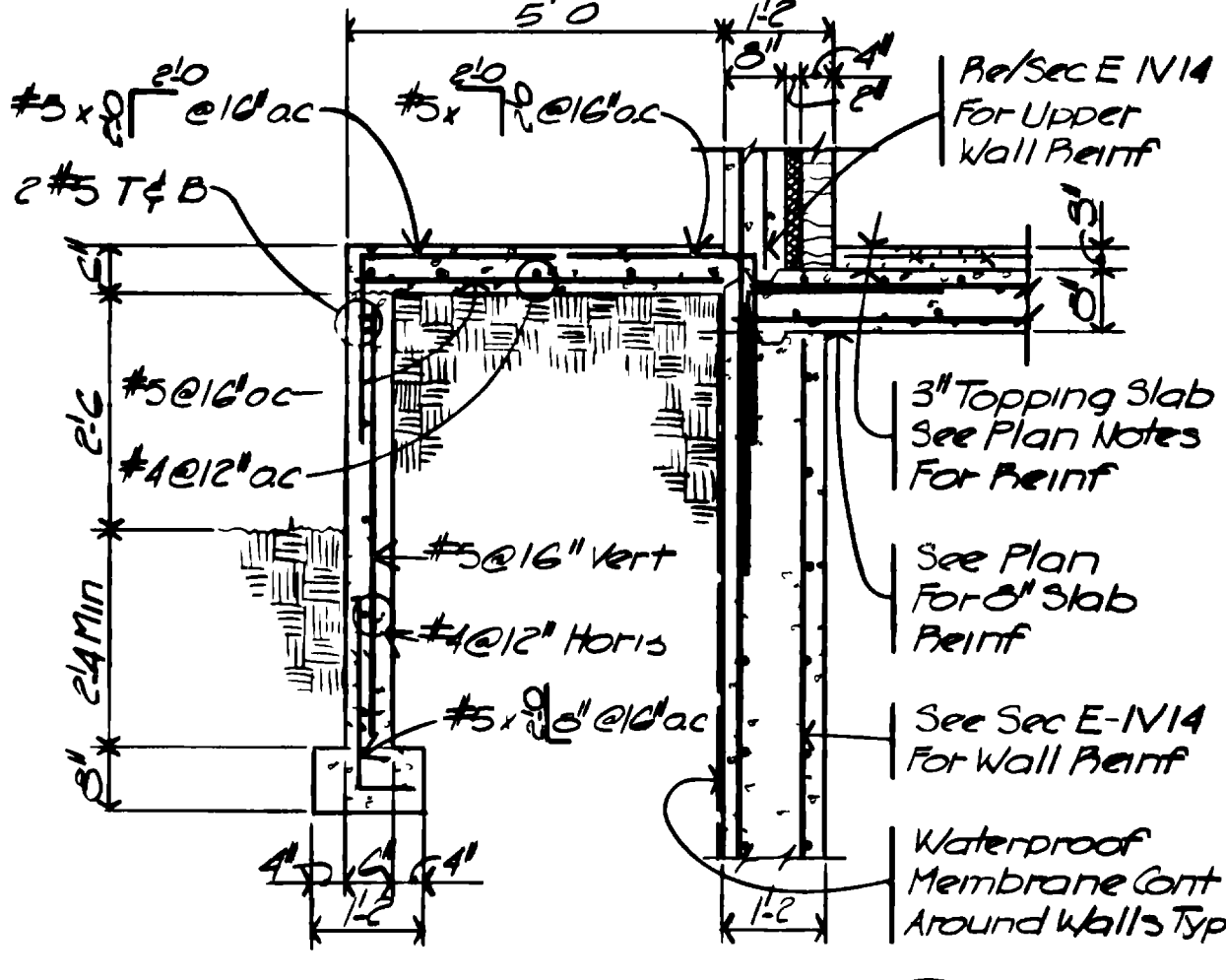


**SECTION E**  
SCALE: 1/2" = 1'-0"

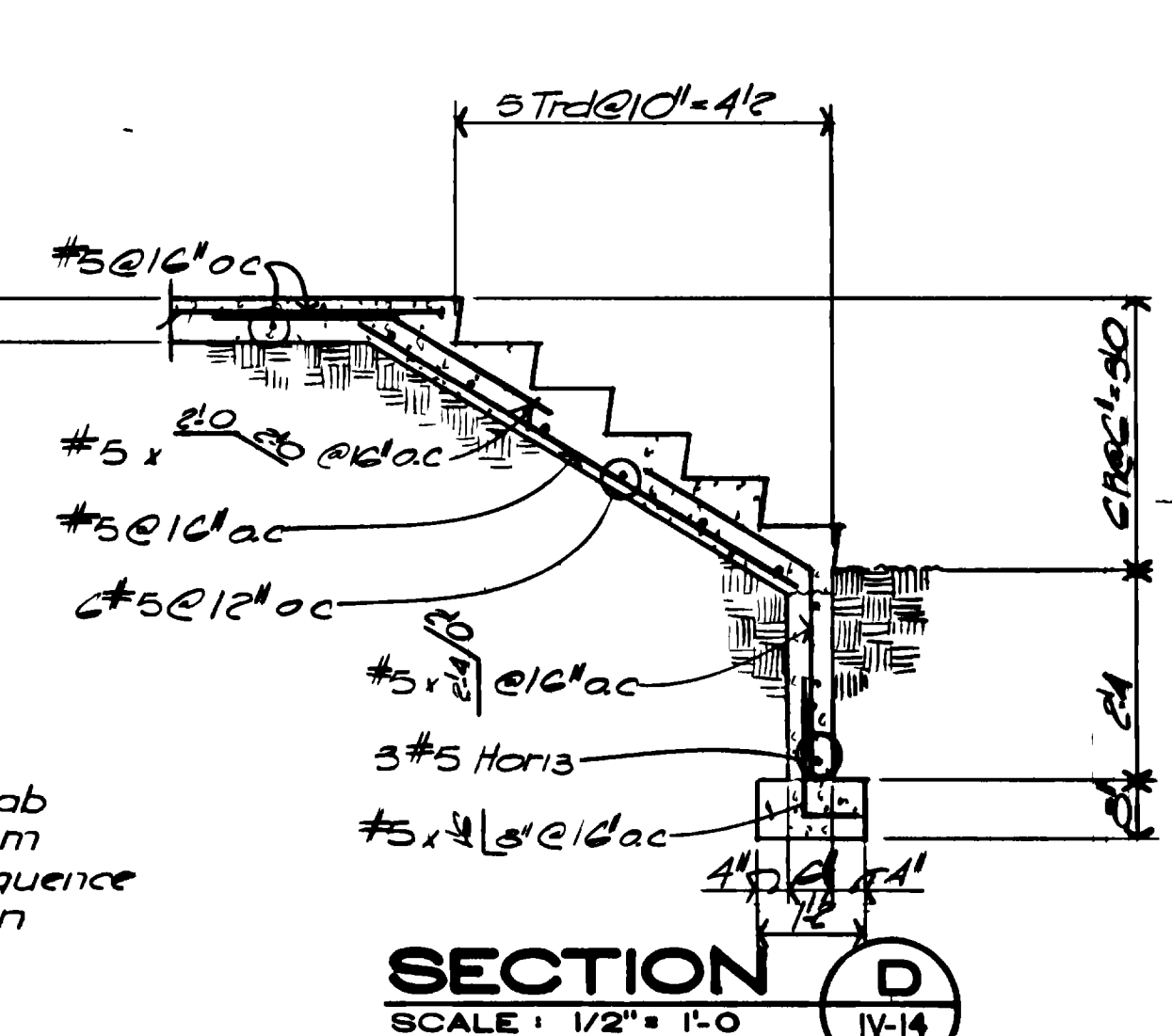
- Plan Notes**
1. Roof Dech To Be 1/2" x 22 Gauge Wide Rib Metal Decking With Min 3" x 20" 4 in<sup>2</sup>
  2. Joist Bearing Elevation Noted Thus  $\frac{1}{2} \times \frac{1}{2} \times \frac{1}{2}$
  3. Top Of Concrete Elevation Noted Thus  $\frac{1}{2} \times \frac{1}{2} \times \frac{1}{2}$
  4. Reinforce Topping Slab 7/8" x 2 W14 x W14 KUMF In Upper 1/2 Of Slab Typical @ Ground Level & Pit Level
  5. Reinforcing Placing Sequence  
1. East-West Bottom 2. North-South Bottom  
3. North-South Top 4. East-West Top
  6. Grain Pail Capacity = 4,000 Lb
  7. Refer To Mech & Process Sheets For Pipe Sleeves & Block Outs



**SECTION B**  
SCALE: 1/2" = 1'-0"



**SECTION C**  
SCALE: 1/2" = 1'-0"



**SECTION D**  
SCALE: 1/2" = 1'-0"

**GRAND JUNCTION / MESA COUNTY, COLORADO**  
**PERSIGO WASH WASTEWATER TREATMENT PLANT**  
**SECTION IX STRUCTURAL**  
**PRIMARY SLUDGE PUMP STATION**  
**PLANS SECTIONS**

**HENNINGSON, DURHAM & RICHARDSON, INC.**  
ENGINEERS PLANNERS CONSULTANTS  
DENVER COLORADO GRAND JUNCTION COLORADO

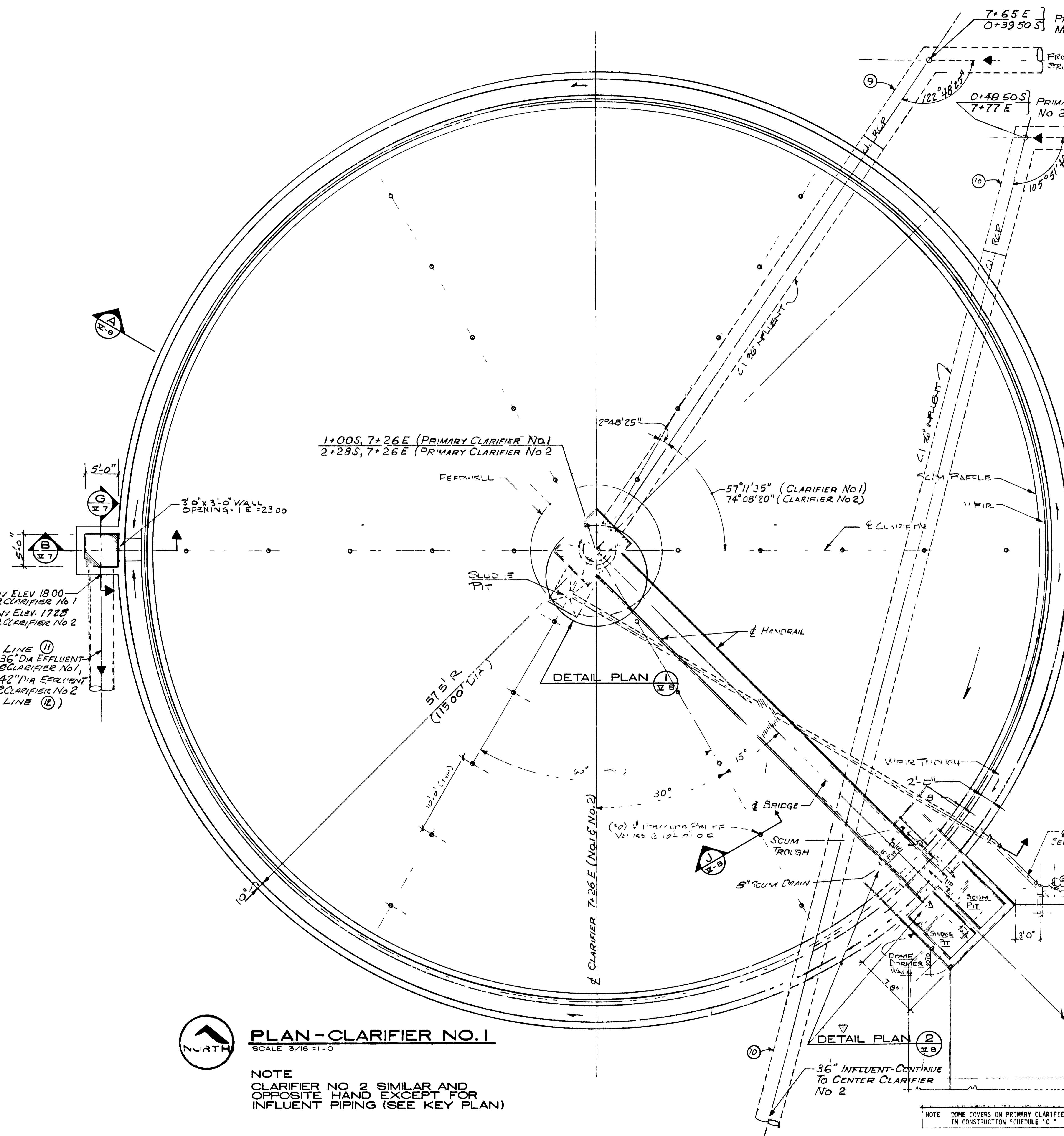
APPROVED: [Signature] 1904  
STATE OF COLORADO

DATE: MAY 1999

734510

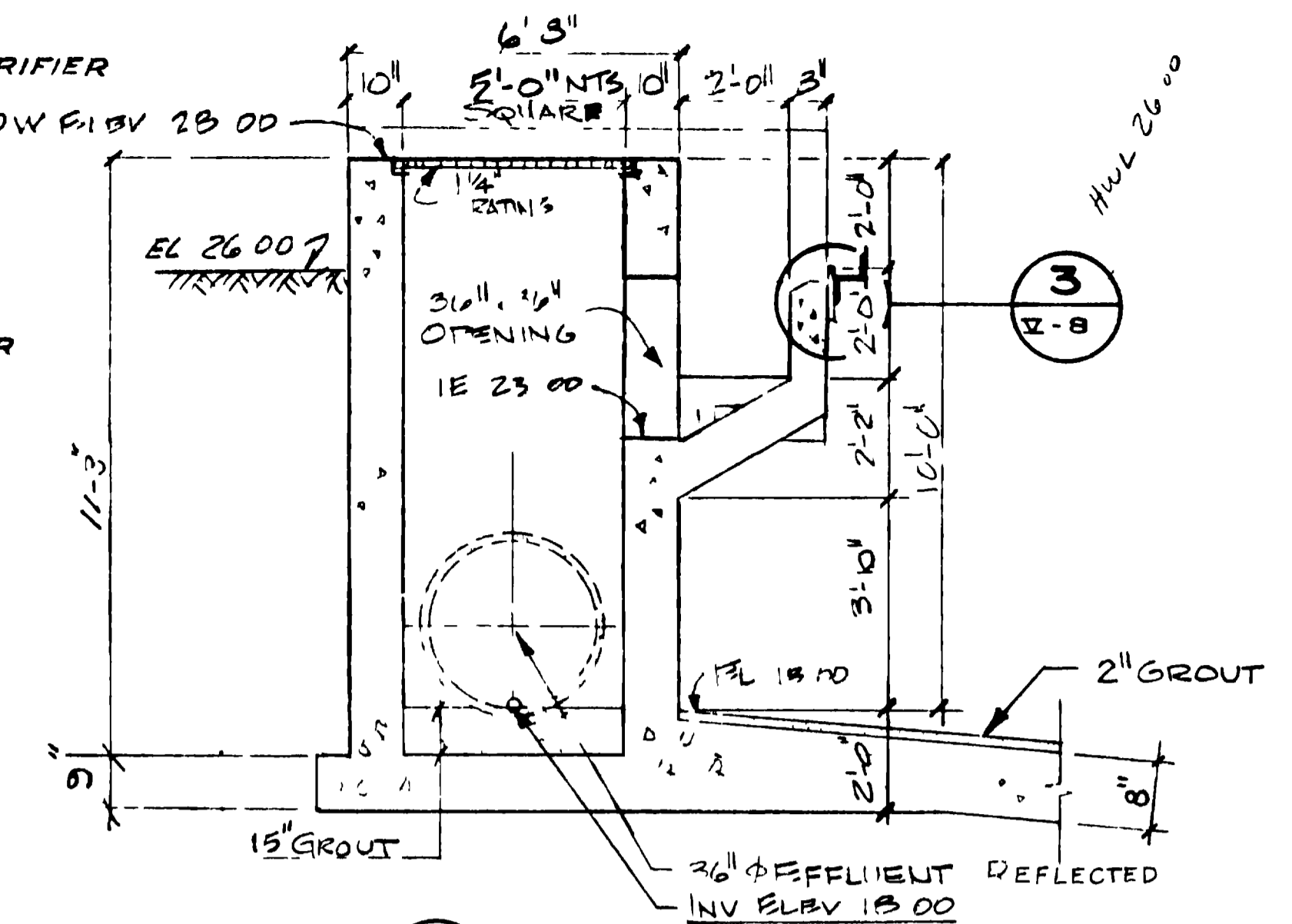
NO.	DATE	DESCRIPTION	BY	CHKD	APPROV
1	4/17/99	AS BUILT			





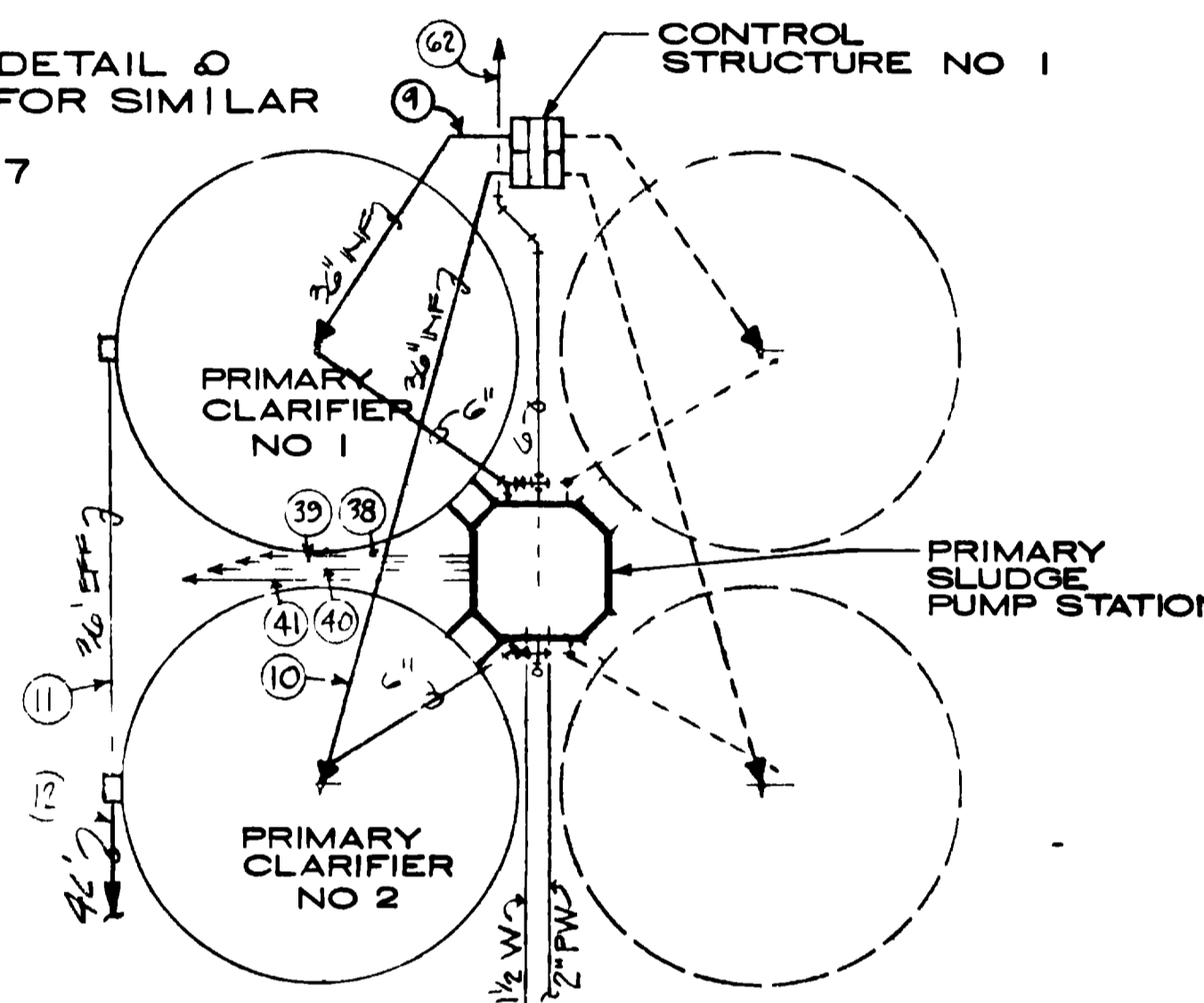
**PLAN - CLARIFIER NO. 1**  
SCALE 3/16" = 1'-0"

NOTE  
CLARIFIER NO 2 SIMILAR AND  
OPPOSITE HAND EXCEPT FOR  
INFLUENT PIPING (SEE KEY PLAN)

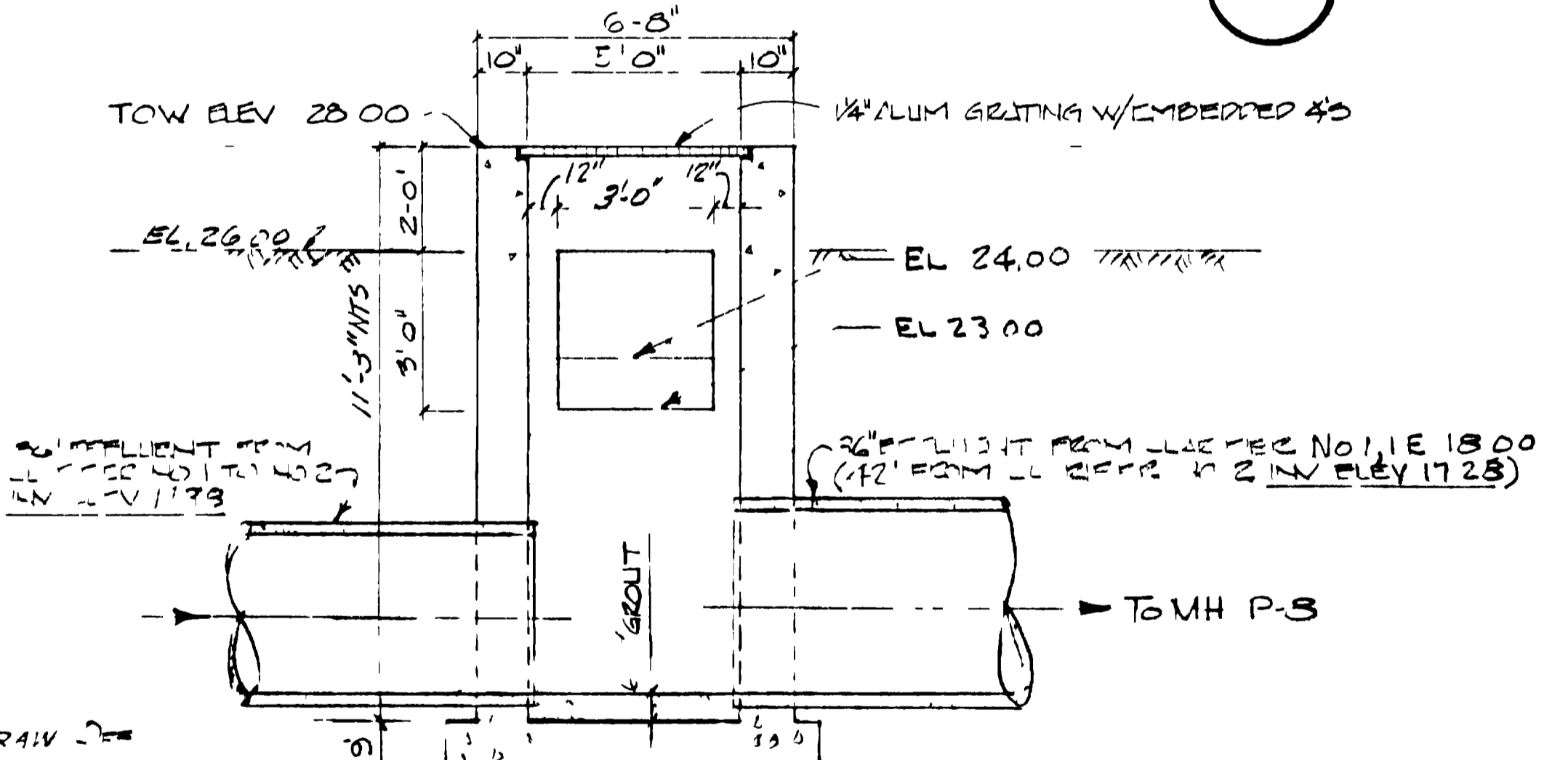


**SECTION B**  
SCALE 3/8" = 1'-0"

NOTE  
SECTION DRAWN INDICATES DETAIL @  
CLARIFIER NO 1 SEE G, X-7 FOR SIMILAR  
DETAIL AT CLARIFIER NO 2  
ALSO SEE PROFILES SH T II-7



**KEY PLAN**  
SCALE 1" = 50'-0"



**SECTION G**  
SCALE 3/8" = 1'-0"

NOTE  
SECTION DRAWN INDICATES DETAIL @  
CLARIFIER NO 2 SEE PLAN & B, X-7 FOR  
CLARIFIER NO 1

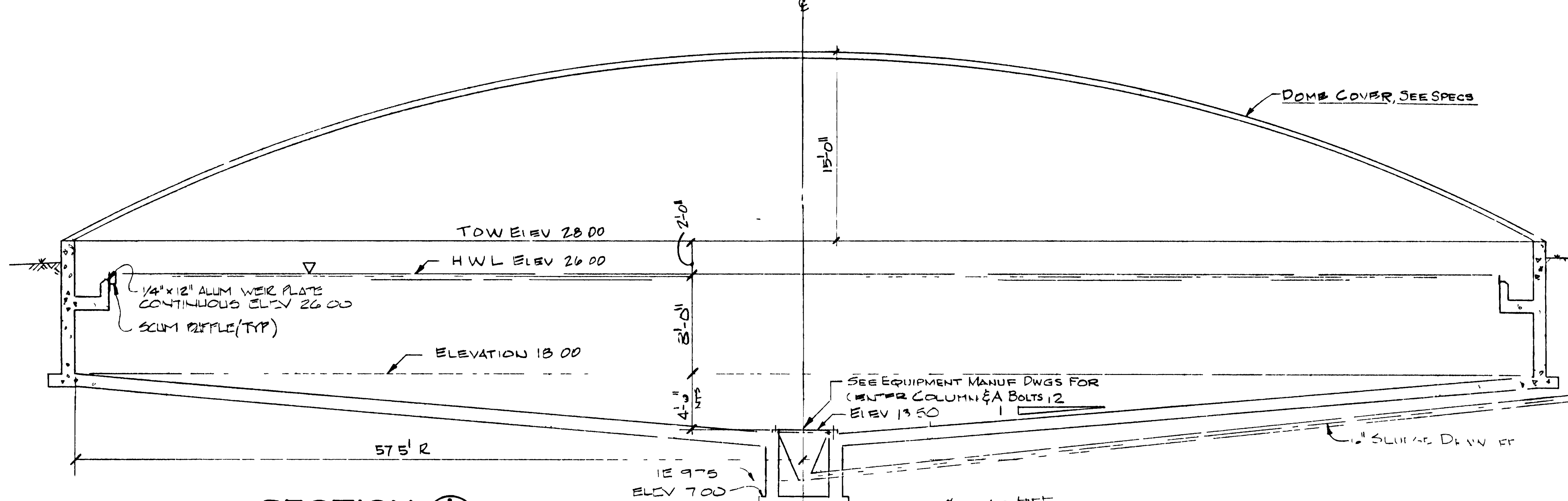
NOTE DOME COVERS ON PRIMARY CLARIFIERS ARE INCLUDED  
IN CONSTRUCTION SCHEDULE 'C' SEE SPECIFICATIONS

"AS RECORDED"  
FROM INFORMATION  
PROVIDED BY THE  
CONTRACTORS  
DATE MAY 1988

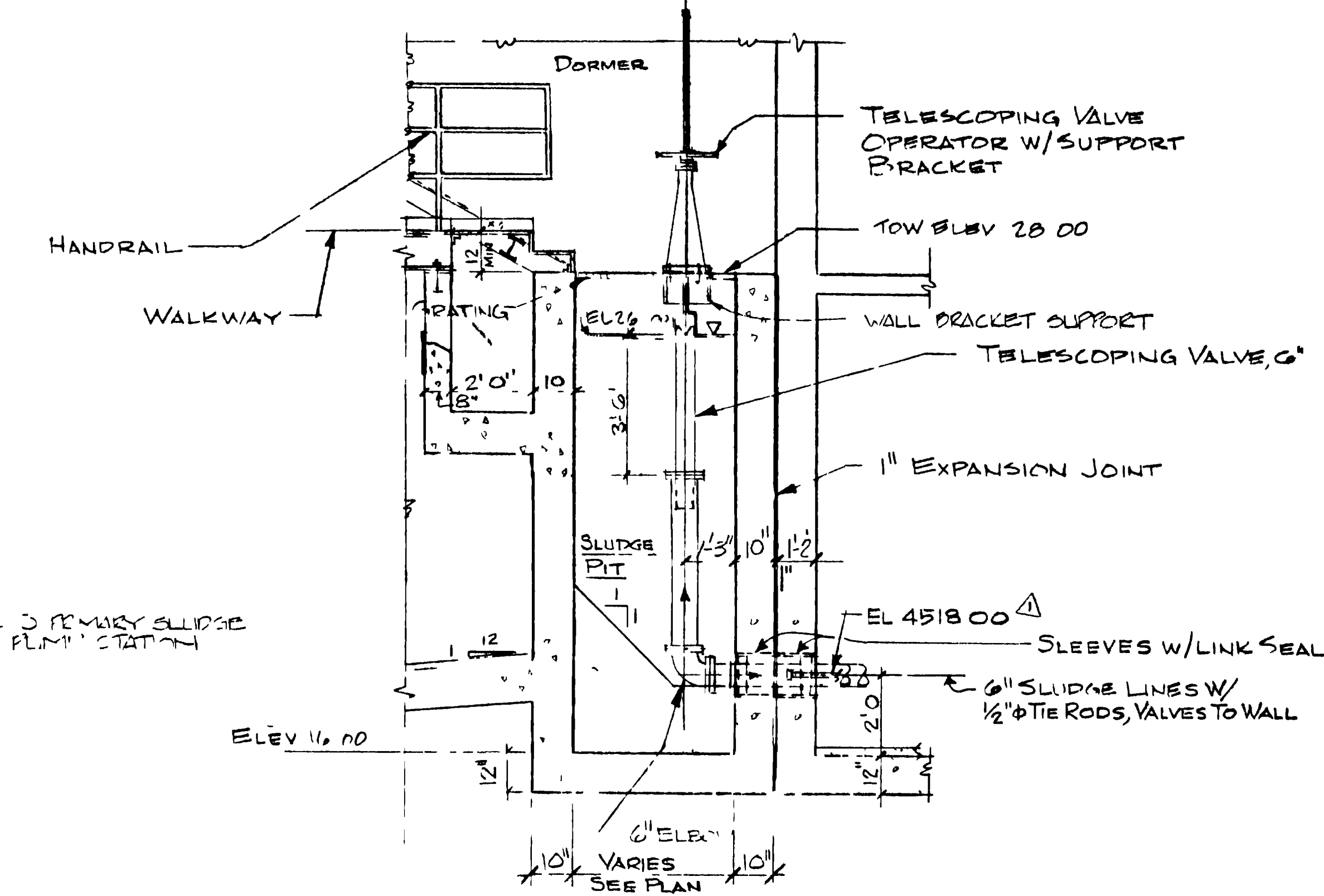


GRAND JUNCTION / MESA COUNTY, COLORADO PERRIGO WASH WASTEWATER TREATMENT PLANT	
SECTION X	PROCESS
PRIMARY CLARIFIER	
PLANS	SECTIONS
HENNINGSON, DURHAM & RICHARDSON, INC. ENGINEERS PLANNERS CONSULTANTS DENVER COLORADO GRAND JUNCTION COLORADO	
DESIGNED BY: P. HEYE	CHECKED BY: P. HEYE
DATE: NOV 1987	DATE: NOV 1987
APPROVED BY: HENNINGSON	APPROVED BY: HENNINGSON
DATE: NOV 1987	DATE: NOV 1987

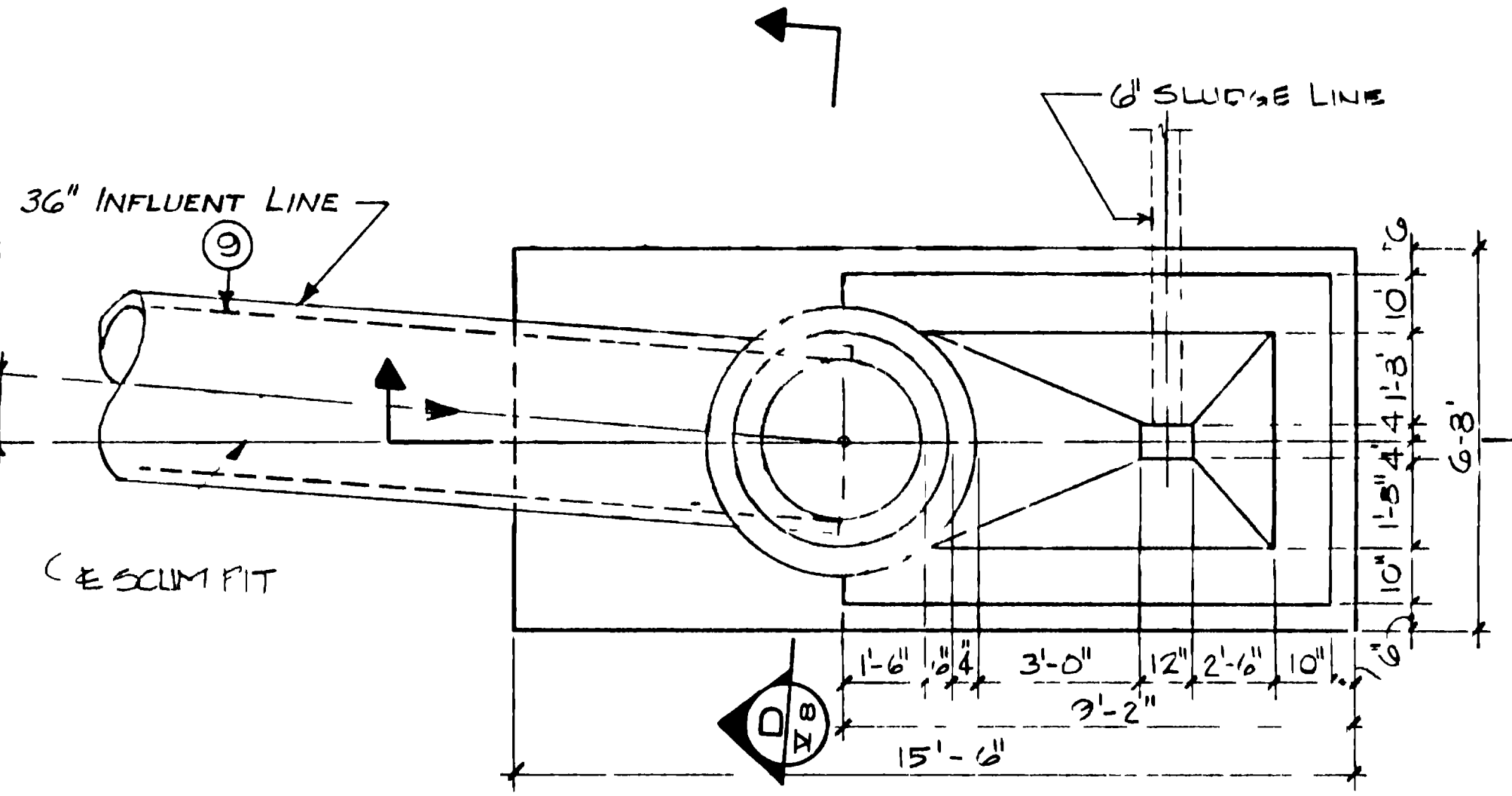
DATE	DESCRIPTION	REVISIONS	MADE	APPROV
10/27/87	AS BUILT			
11/27/87	PLUMBER'S COMMENTS REVIS			



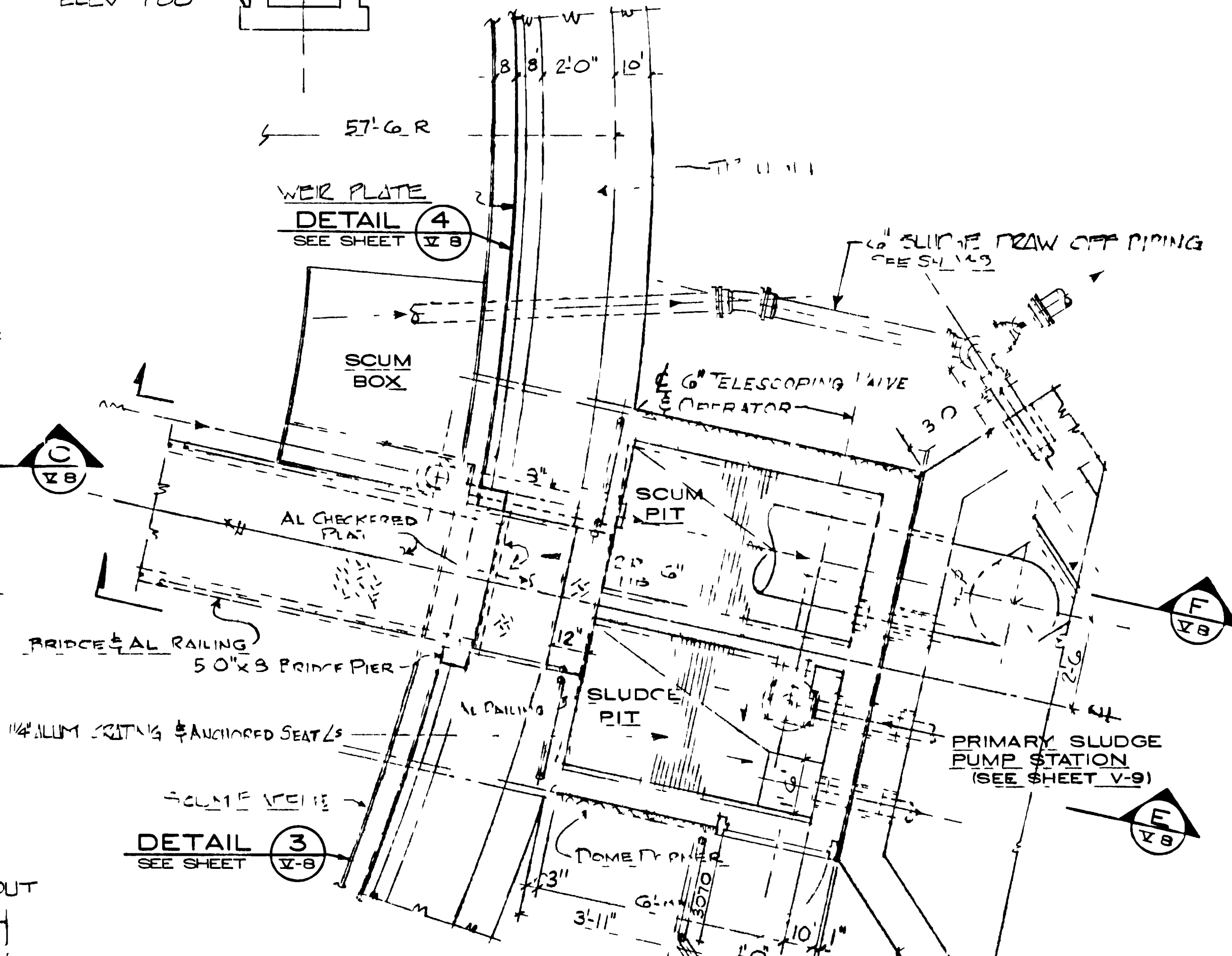
**SECTION A**  
SCALE 3/8" = 1'-0"  
X-8



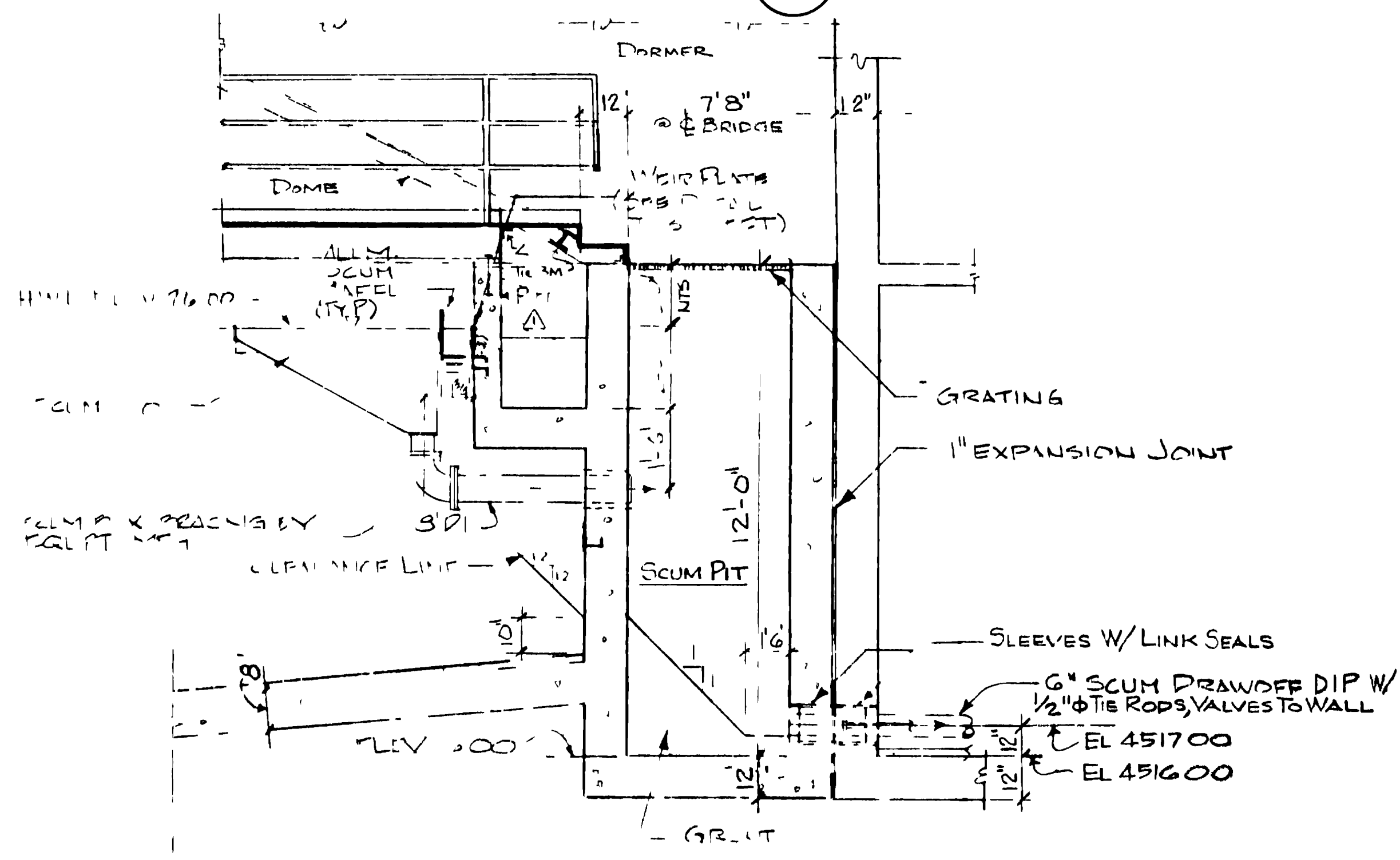
**SECTION E**  
SCALE 3/8" = 1'-0"  
X-8



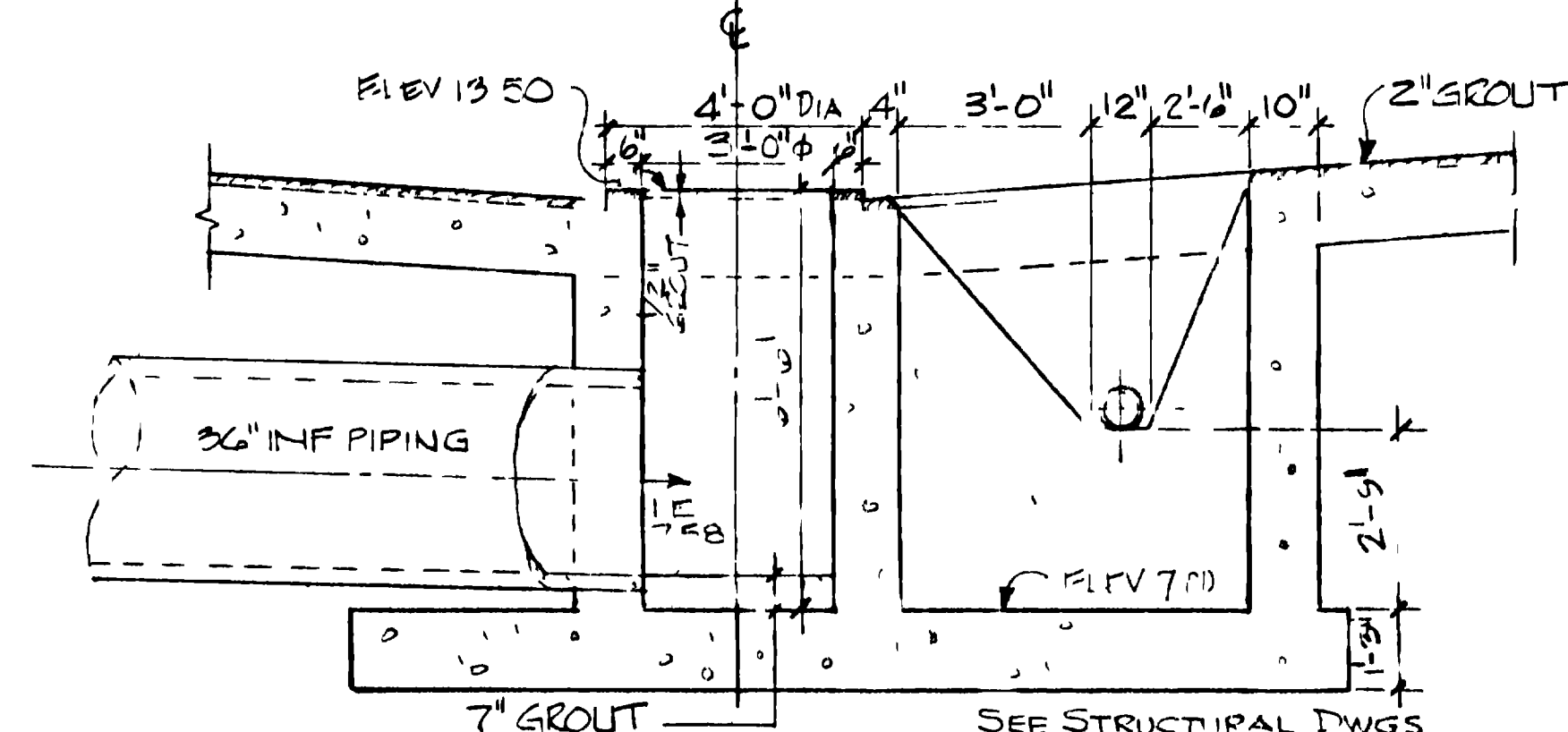
**DETAIL PLAN 1**  
SCALE 3/8" = 1'-0"  
X-8



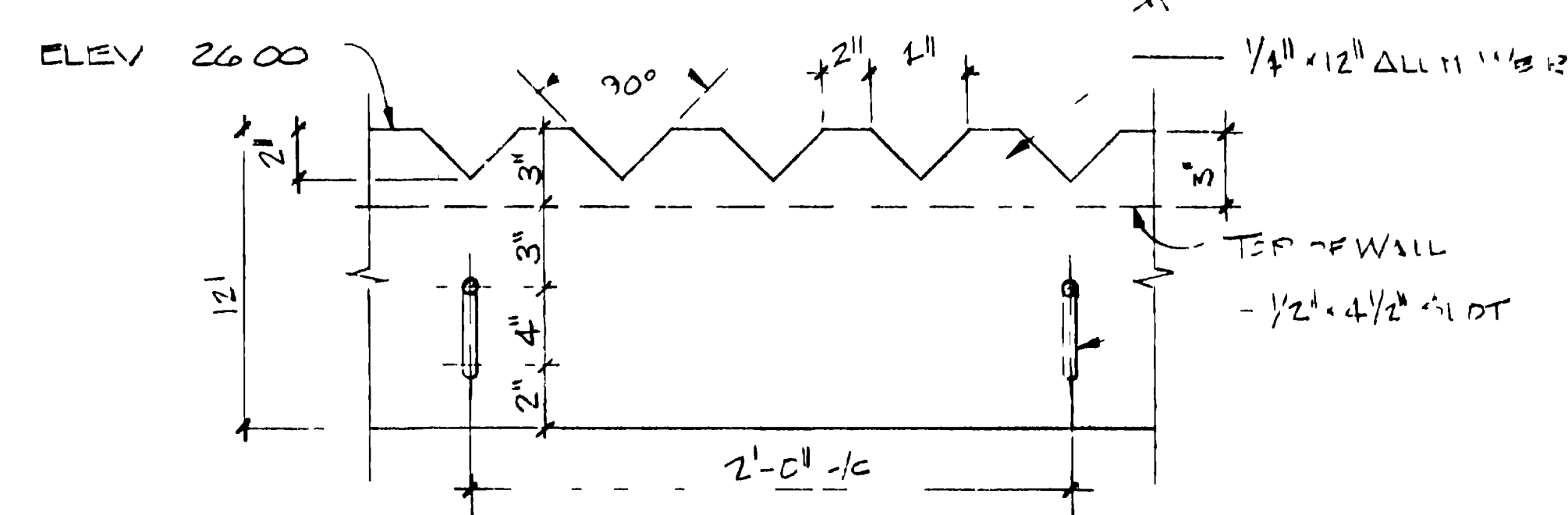
**DETAIL PLAN 2**  
SCALE 3/8" = 1'-0"  
X-8



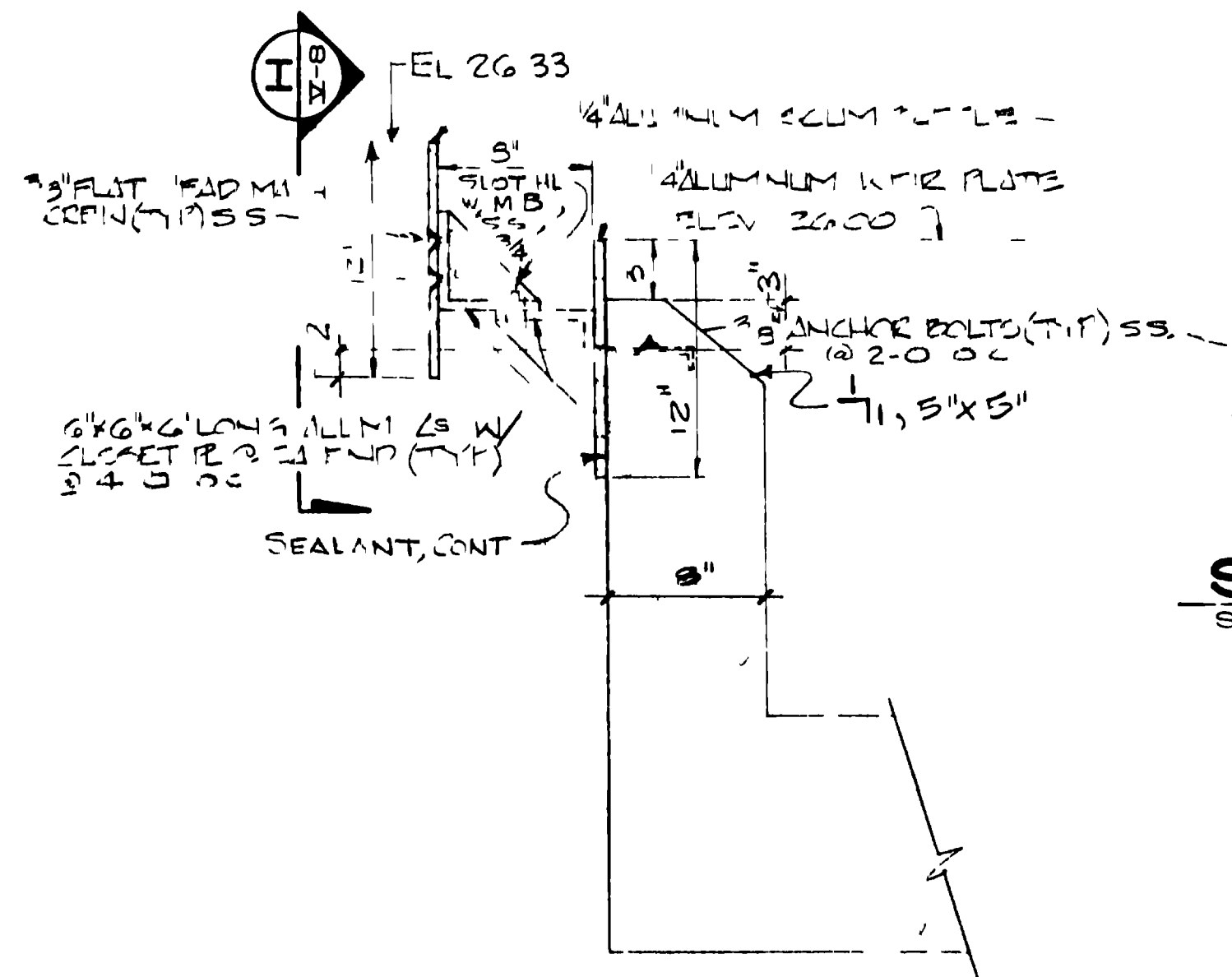
**SECTION F**  
SCALE 3/8" = 1'-0"  
X-8



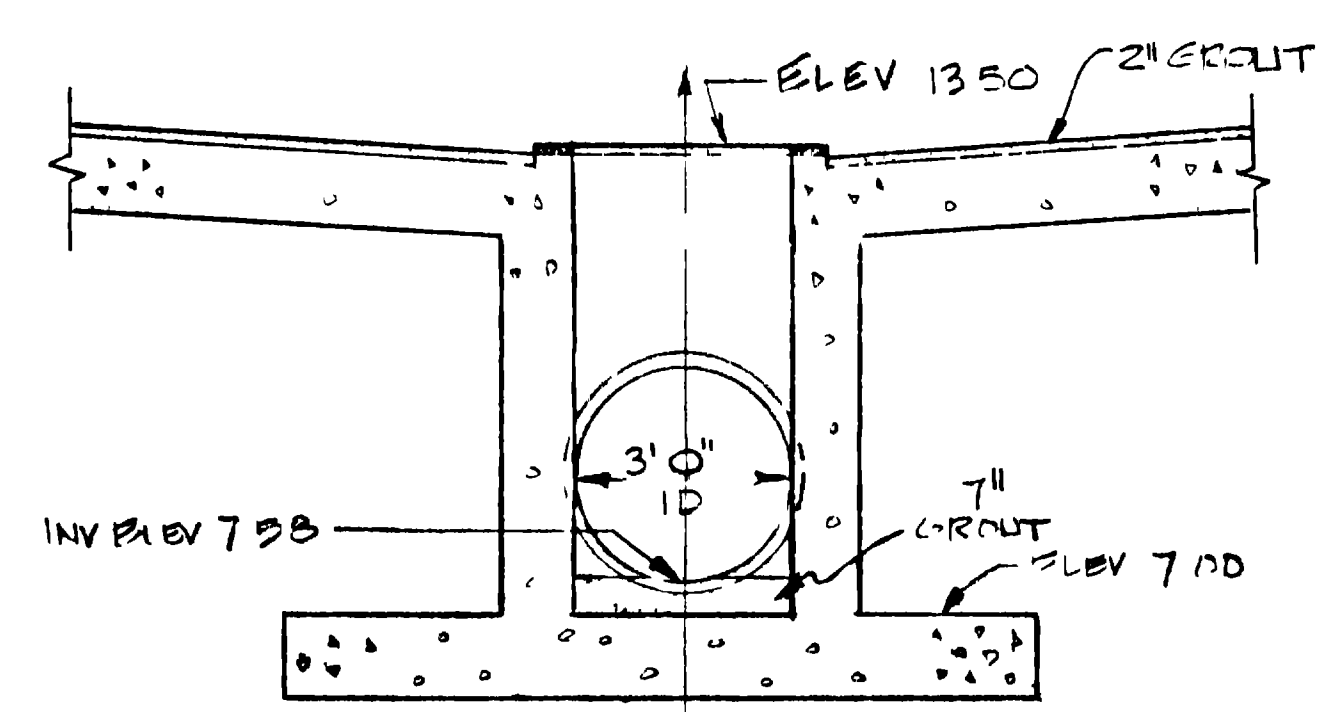
**SECTION C**  
SCALE 3/8" = 1'-0"  
X-8



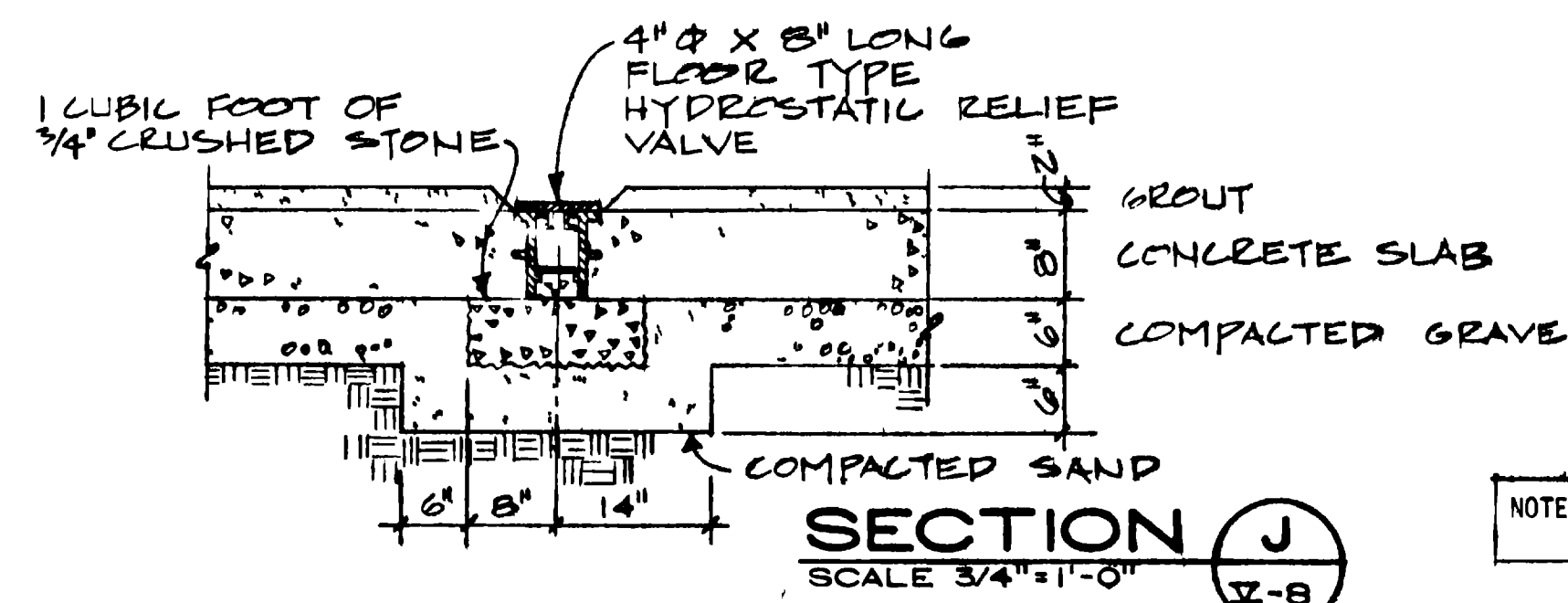
**WEIR PLATE DETAIL 4**  
SCALE 2" = 1'-0"  
X-8



**SCUM BAFFLE DETAIL 3**  
SCALE 1 1/2" = 1'-0"  
X-8



**SECTION D**  
SCALE 3/8" = 1'-0"  
X-8

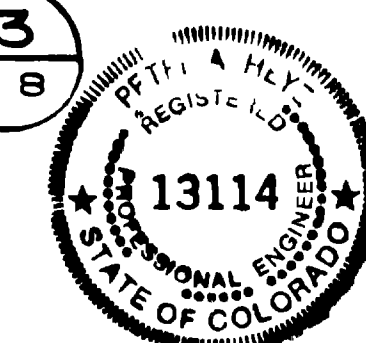


**SECTION J**  
SCALE 3/4" = 1'-0"  
X-8

NOTE: DOME COVERS ON PRIMARY CLARIFIERS ARE INCLUDED IN CONSTRUCTION SCHEDULE "C". SEE SPECIFICATIONS.

07087903.tif

"AS RECORDED" FROM INFORMATION PROVIDED BY THE CONTRACTOR. DATE: MAY



DATE	DESCRIPTION	BY	APPV
11/3/21	AS BUILT	PAH	PAH
	SCUM & SLUDGE PITS REVISED		

**GRAND JUNCTION / MESA COUNTY, COLORADO**  
**PERRIGO WASH WASTEWATER TREATMENT PLANT**

SECTION X PROCESS

**PRIMARY CLARIFIER**

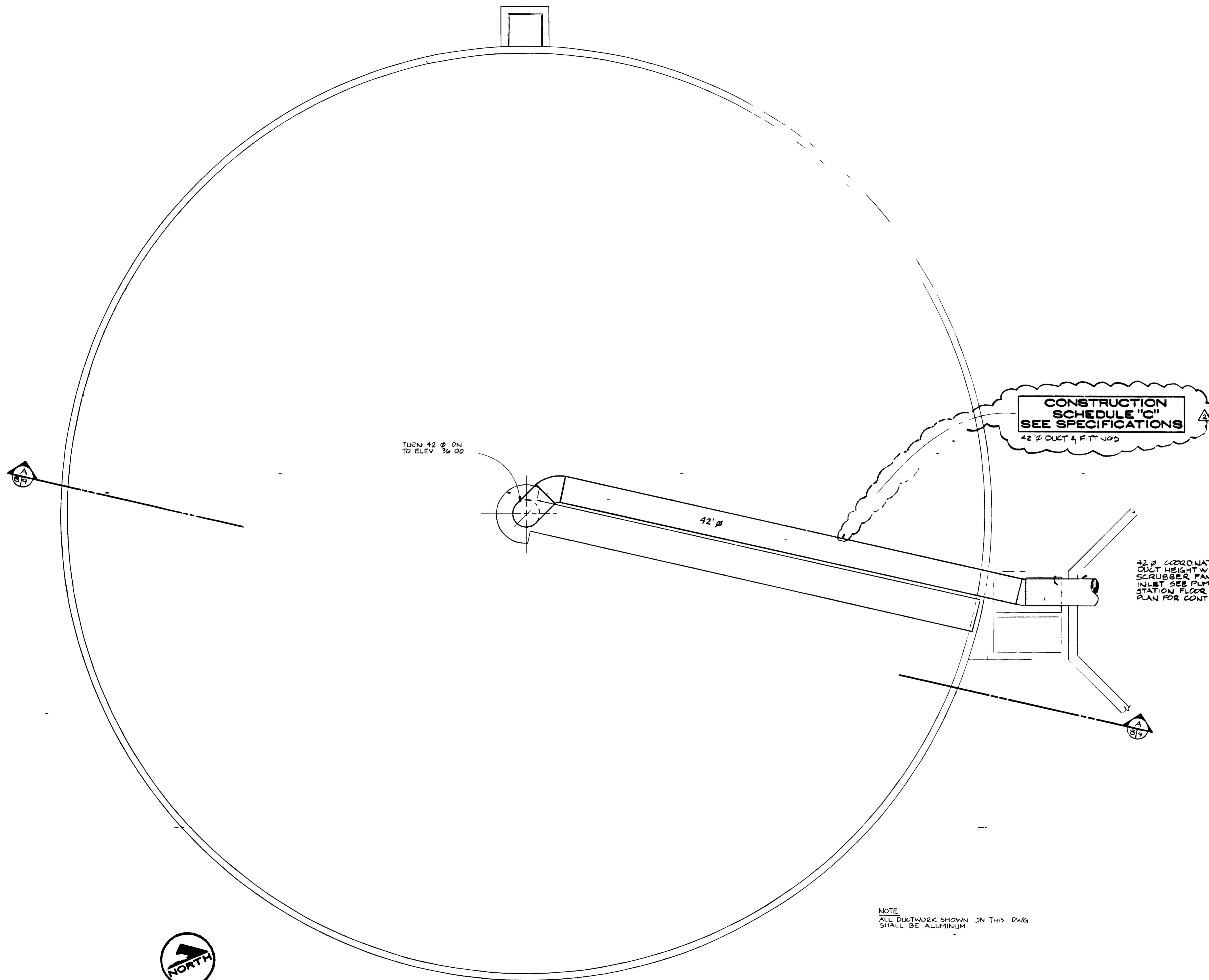
PLANS SECTIONS DETAILS

**HERRINGTON, DURHAM & RICHARDSON, INC.**  
ENGINEERS PLANNERS CONSULTANTS  
DENVER COLORADO GRAND JUNCTION COLORADO

DESIGNED BY: HENRICHSEN  
CHECKED BY: HENRICHSEN  
DATE: NOV 1980

DWG 104 OF 194





**CONSTRUCTION SCHEDULE "C" SEE SPECIFICATIONS**  
42" Ø DUCT & FITTINGS

TURN 42" Ø DN TO ELEV 30.00

42" Ø COORDINATE DUCT HEIGHT WITH SCRUBBER FAN INLET SEE PUMP STATION FLOOR PLAN FOR CONT

NOTE  
ALL DUCTWORK SHOWN ON THIS DWG SHALL BE ALUMINUM



**PRIMARY CLARIFIER NO. 1**  
SCALE 3/16" = 1'-0"  
(CLARIFIER NO 2 SIMILAR)



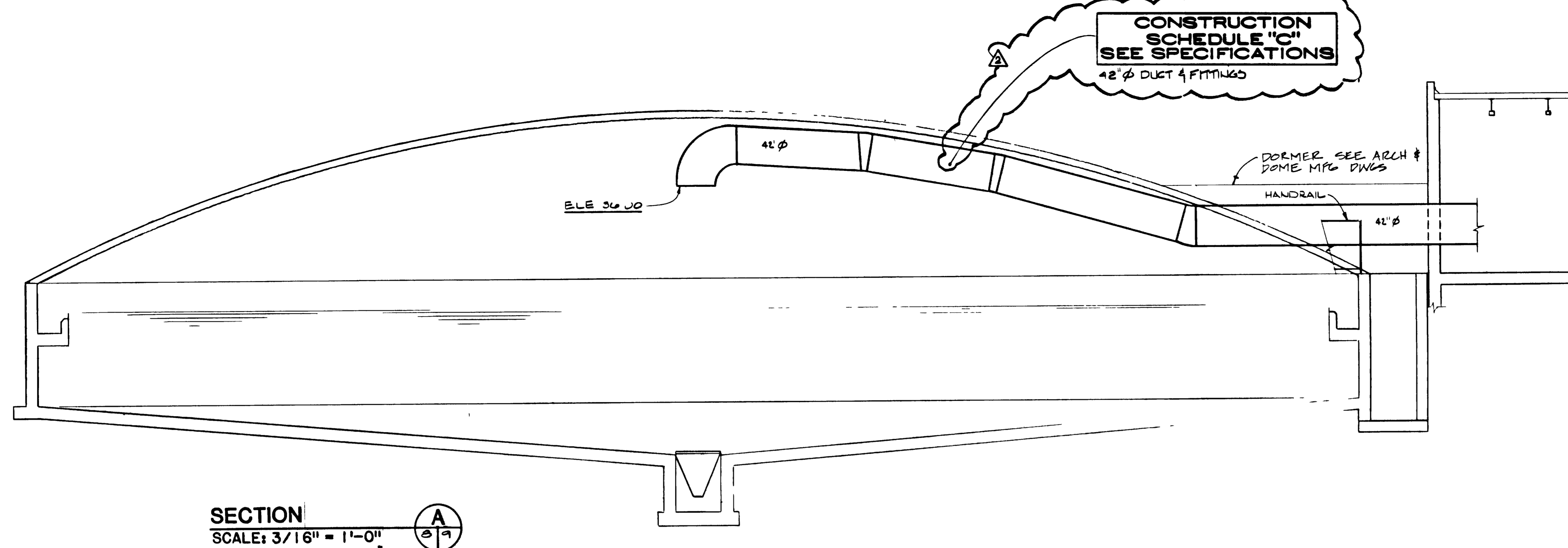
**GRAND JUNCTION / MESA COUNTY, COLORADO**  
**PERSIGO WASH WASTEWATER TREATMENT PLANT**  
SECTION VI MECHANICAL  
**PRIMARY CLARIFIER MECHANICAL PLAN**

**HENNINGSON, DURHAM & RICHARDSON, INC.**  
ENGINEERS PLANNERS CONSULTANTS  
DENVER COLORADO GRAND JUNCTION COLORADO

JOB	DESIGNED	CHECKED	APPROVED	SHEET
734510	UJ3	EM	EM	VI-8
DATE	DATE	DATE	DATE	
	UJ3	4-14-81	4-14-81	

"AS RECORDED"  
FROM INFORMATION PROVIDED BY THE CONTRACTORS  
DATE: MAY 1981

DATE	DESCRIPTION	MADE	APPROV
10/15/84	As BUILT		EM
8-17-81	PRE-BID REVISION		
4-14-81	Misc REVISIONS		



SECTION A  
SCALE: 3/16" = 1'-0"

DIFFUSER AND GRILLE SCHEDULE				
CODE	MAKE	MODEL	DIFFUSER SIZE	NOTES
DR-4-1	TITUS	272-F55	20x10	① ②

① ANODED BLADE DAMPER  
② 45 DEGREE DEFLECTION

**EQUIPMENT SPECIFICATIONS**

~~EXHAUSTER (DR-4-1)  
CENTRIFUGAL EXHAUSTER BELT DRIVEN FAN WHEEL WITH BACKDRAFT DAMPER FACTORY ROOF CURB (UNITS 12" HIGH), AND BIRD SCREEN  
8400 CFM @ 4800 FT ELEV AND 0.5" E S P 2 HP MOTOR, 1 SPEED, 460/3/60  
PENN DOMEX RB-30  
ROOFTOP MAKE-UP AIR UNIT (RTU-4-1)  
DIRECT FIRED GAS MAKE-UP UNIT WITH FILTER SECTION, FILTER SECTION, RAIN HOOD WITH BIRD SCREEN AND PREFABRICATED ROOF CURB DISCHARGE TO BE HORIZONTAL  
8400 CFM @ 4800 FT ELEV AND 0.25" E S P, 3 1/2 HP MOTOR, 460/3/60  
HEATING CAPACITY - 10000 BTU/HR OUTPUT @ 4800 FT ELEV, 900 BTU/HR MINIMUM, AIR TEMPERATURE 70°F, 8400 CFM = 75 F 1" GAS CONNECTION, 1 1/2" BURNER LENGTH (BASED UPON 5.0 W C SUPPLY GAS PRESSURE) FM GAS TRAIN 2 SPEED, 1800/900 R.P.M. THERMOSTATICALLY CONTROLLED 4000 & 8400 CFM  
BRIDGE SERIES M120C~~



GRAND JUNCTION / MESA COUNTY, COLORADO  
PERSIGO WASH WASTEWATER TREATMENT PLANT  
SECTION VI MECHANICAL  
PRIMARY CLARIFIER  
EQUIPMENT SPECIFICATIONS  
DIFFUSER SCHEDULE & SECTION

HENNINGSON, DURHAM & RICHARDSON, INC.  
ENGINEERS PLANNERS CONSULTANTS  
DENVER COLORADO GRAND JUNCTION COLORADO

DESIGNED: JTS  
CHECKED: R.M.G.  
APPROVED: JTS  
DATE: 4-14-81

DATE: MAY 1981

REVISIONS

DATE DESCRIPTION REVISIONS

4 MAKE APPROV

734510

DATE: 4-14-81

SHEET VI-9