

Oversight/NHS	
FHWA REGION VIII OVERSIGHT?	<input checked="" type="checkbox"/> NO <input type="checkbox"/> YES
NATIONAL HIGHWAY SYSTEM?	<input checked="" type="checkbox"/> NO <input type="checkbox"/> YES

City of Grand Junction, Colorado

Department of Public Works & Utilities, Engineering Division

Project Information:
 P. E. UNDER PROJECT: Mike Curtis
 Project Number: 2011-F03800
 R.O.W. Project:
 R.O.W Project Description: 24 Rd, Patterson N.
 Canyon View Park

STATE OF COLORADO

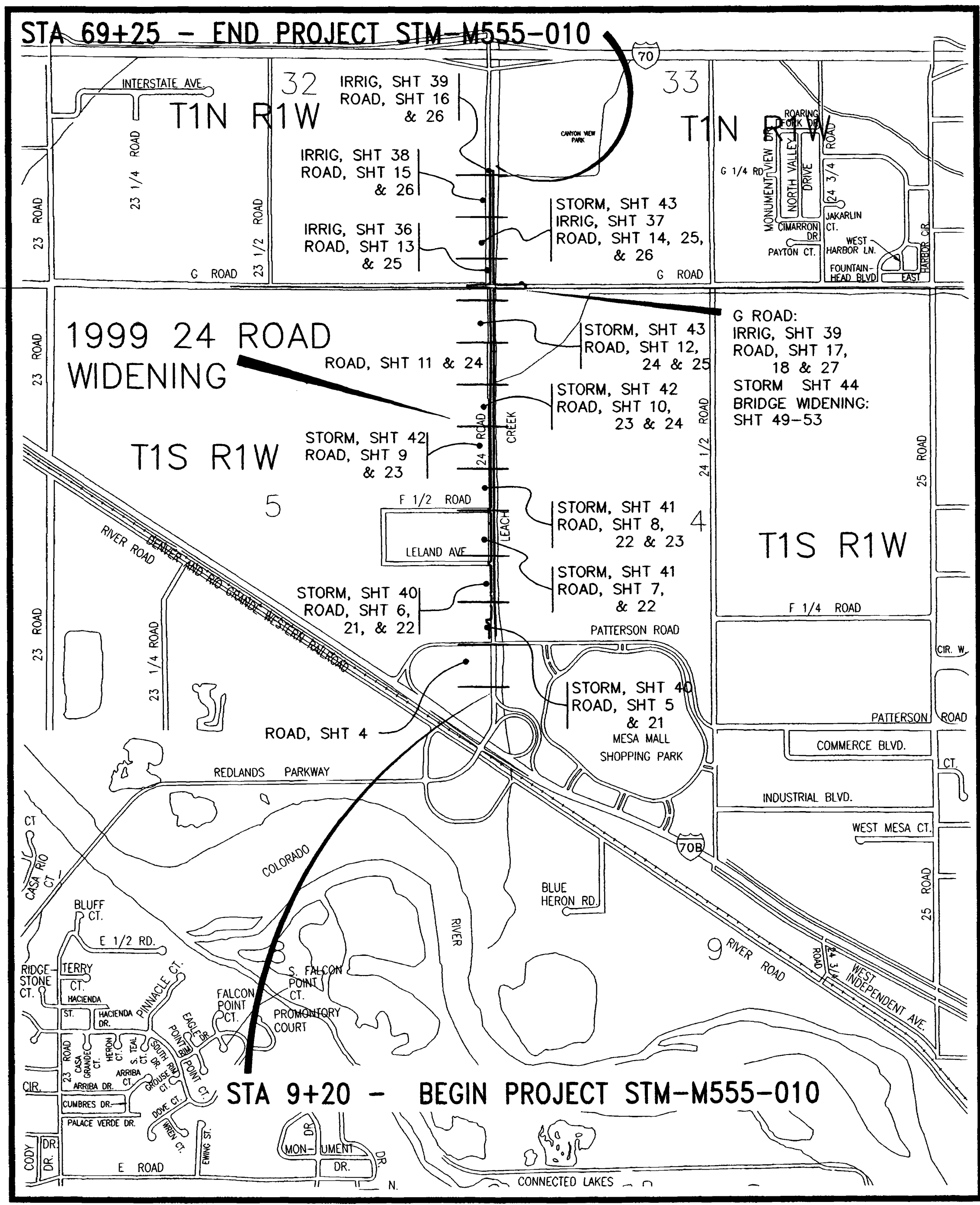
ROADWAY CONSTRUCTION ^{AS BUILT} ~~BID~~ PLANS OF PROPOSED
 FEDERAL AID PROJECT NO. STM-M555-010
 MESA COUNTY

SHEET No. INDEX OF SHEETS

- 1 — Cover Sheet
- 2 — Drafting Standards and Abbreviations
- 3 — Summary of Approximate Quantities
- 4-18 — Roadway Plan and Profiles
- 19-20 — Typical Cross Sections
- 21-27 — Roadway Cross Sections
- 28-35 — Striping and Signage Plans
- 36-39 — Irrigation Plan and Profiles
- 40-44 — Storm Drain Crossings

TABULATION OF LENGTH & DESIGN DATA

STATION	FEET ROADWAY
STA 9+20 BEGIN PROJECT STM-M555-010	
STA 69+25 END PROJECT STM-M555-010	6,005 FT
SUMMARY	
PROJECT GROSS LENGTH =	6,005 FT
DESIGN DATA	
MAXIMUM GRADE	1.39%
MINIMUM S.S.D. VERTICAL	250 FT
MAXIMUM DESIGN SPEED	40 M.P.H
2019 ADT	15,201
2019 DHV	1520
DHV % TRUCKS	4
CLEAR ZONE DISTANCE (TANGENT)	JODY?



INCLUDED STANDARD PLANS

- 45-46 — Exhibit "E", City of Grand Junction Standard Concrete Details
 - 47 — Exhibit "F", City of Grand Junction Standard Storm Drain Details
 - 48-49 — Miscellaneous Project Details
- See Project Specifications, Appendix "B" for Standard Sanitary Sewer, Storm Drain and Waterline Details

Bridge Widening Plans

- 50-54 — Bridge Widening - 24 and G Roads

GENERAL PROJECT INFORMATION:

PROJECT ENGINEER: MIKE CURTIS
 PROJECT ENGINEERING TECHNICIAN: JAHN SMITH
 PROJECT INSPECTORS: WALT HOYT, RICH BAILEY, & TIM PATTY
 GENERAL CONTRACTOR: UNITED COMPANIES
 GENERAL CONTRACTOR'S FOREMAN: DOD SMALHA (DRT) RICK DOTENFELD (PAVING)
 SUB CONTRACTORS: MAYS CONCRETE (BRIDGE & CONCRETE)
 TRAVIS JORDAN (PIPE WORK)
 DBI SURVEYS INC. (CONSTRUCTION STAKING)
 PROJECT DURATION: APRIL 17, 2000 - JULY 31, 2000
 75 WORKING DAYS

ASBUILT 9-2000

Computer File Information

Creation Date: 5-5-99	Initials: JCS
Last Modification Date:	Initials:
Full Path: File name: C:\Land Projects\F03800\dwg\plotdwg\titlesht.dwg	
Drawing File Name:	

Index of Revisions

No.	REVISION	DATE
1	ASUILT PER INSPECTOR'S NOTES	9-2000

250 N. 5th Str.
Grand Junction, Co 81501
(970)244-1554
FAX (970)256-4022

222 S. 6th St.
Grand Junction, Co 81501
(970)248-7218

As Constructed	Contract Information	Project No./Code
No Revisions:	Contractor:	STM-M555-010/12500
Revised:	Resident Engineer:	
Void:	Project Engineer:	PROJECT_CODE
	PROJECT STARTED:	ACCEPTED:

SUMMARY OF APPROXIMATE QUANTITIES

TEM	DESCRIPTION	QUAN.	UNIT	PRICE	TOTAL
201	CLEARING AND GRUBBING	1	LUMP SUM		
202	REMOVAL OF PORTIONS OF STRUCTURE	1	LUMP SUM	\$4,000	\$4,000
202	REMOVAL OF GROUND SIGN	0 A	EACH	\$0	\$0
206	STRUCTURE EXCAVATION	213	CU. YDS.	\$2982	\$635,166
207	STRUCTURE BACKFILL (SPECIAL)	268	CU. YDS.	\$4288	\$1,149,024
207	TOP SOIL (AS MEASURED IN THE FIELD)	0 A	CU. YDS.	\$0	\$0
208	SILT FENCE	500	LIN. FT.		
208	EROSION BALES	100	EACH		
216	SOIL RETENTION BLANKET	11456	SQ. YDS.	\$973.76	\$11,149,856
403	HOT BITUMINOUS PAVEMENT (GRADING C) (2" THICK)	10706	SQ. YDS.	\$856.48	\$9,168,000
502	DRIVING TIPS	22	EACH	\$1320	\$29,040
502	STEEL PILING (HP8x36)	11825	LIN. FT.	\$21285	\$251,726,250
509	STRUCTURAL STEEL	15570	LBS.	\$20241	\$315,065,570
509	FIELD CLEANING AND PAINTING STEEL	1	LS	\$552	\$552
515	WATERPROOFING (MEMBRANE)	10706	SQ. YDS.	\$856.48	\$9,168,000
601	CONCRETE CLASS D (DECK)	155	CU. YDS.	\$14000	\$2,170,000
602	REINFORCING STEEL (EPOXY COATED)	7635	LBS.	\$4362.75	\$33,300,000
606	BRIDGE RAIL (SPECIAL)	797	LIN. FT.	\$11955	\$9,518,335
608	CONCRETE SIDEWALK (SPECIAL)	1345	SQ. FT.	\$3415	\$4,594,075
609	CURB AND GUTTER (SPECIAL)	0	LIN. FT.	\$0	\$0
613	ELECTRICAL CONDUIT (2 INCH)	0	LIN. FT.	\$0	\$0
613	ELECTRICAL CONDUIT (4 INCH)	0	LIN. FT.	\$0	\$0
613	ELECTRICAL CONDUIT (6 INCH)	0	LIN. FT.	\$0	\$0
F/A	FORCE ACCOUNT	1	LUMP SUM	\$163.97	\$163.97
626	MOBILIZATION	1	LUMP SUM	\$7200	\$7,200
630	CONSTRUCTION SURVEYING	1	LUMP SUM	\$3000	\$3,000
630	TRAFFIC CONTROL	1	LUMP SUM	\$2000	\$2,000
TOTAL COST = \$113,500,866					

- (A) 207 PREPARE SEEDBED
- 212 SEED WITH NATIVE SEED MIX
- 216 SOIL RETENTION BLANKET IN DISTURBED AREAS
- (B) 608 CONCRETE SIDEWALK (SPECIAL)
- (C) 609 CURB AND GUTTER (SPECIAL)
- (D) 202 REMOVAL OF GROUND SIGN

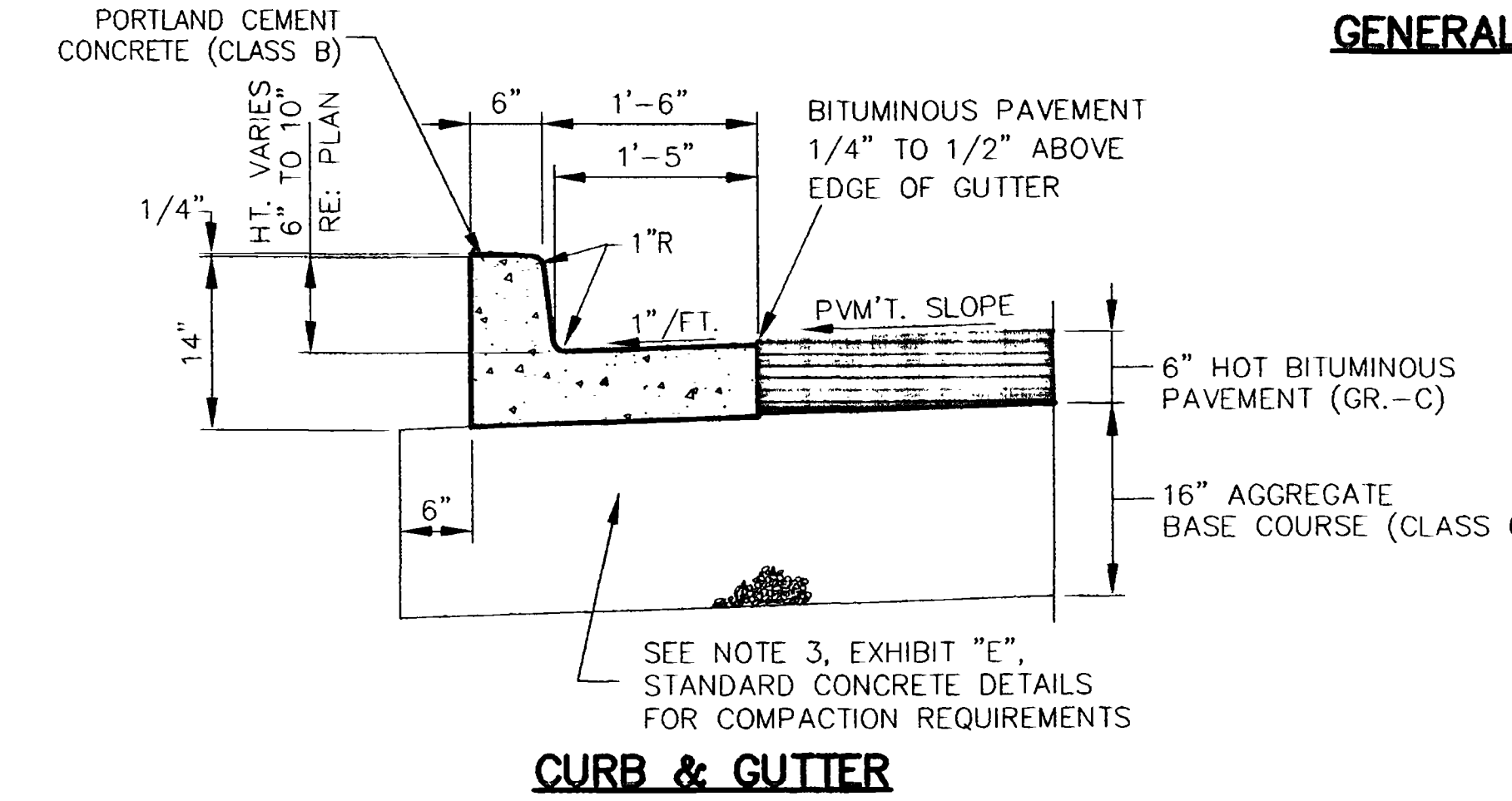
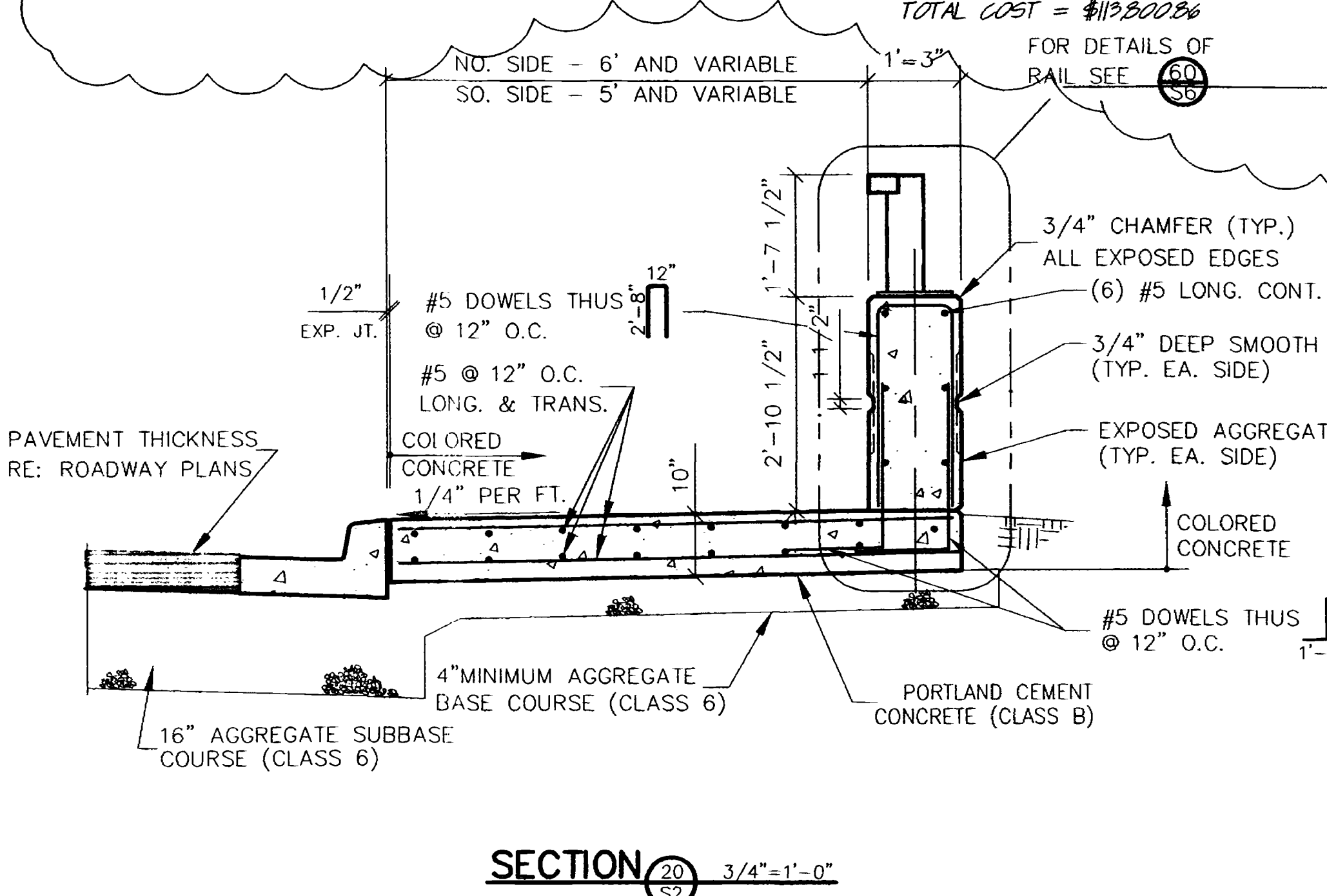
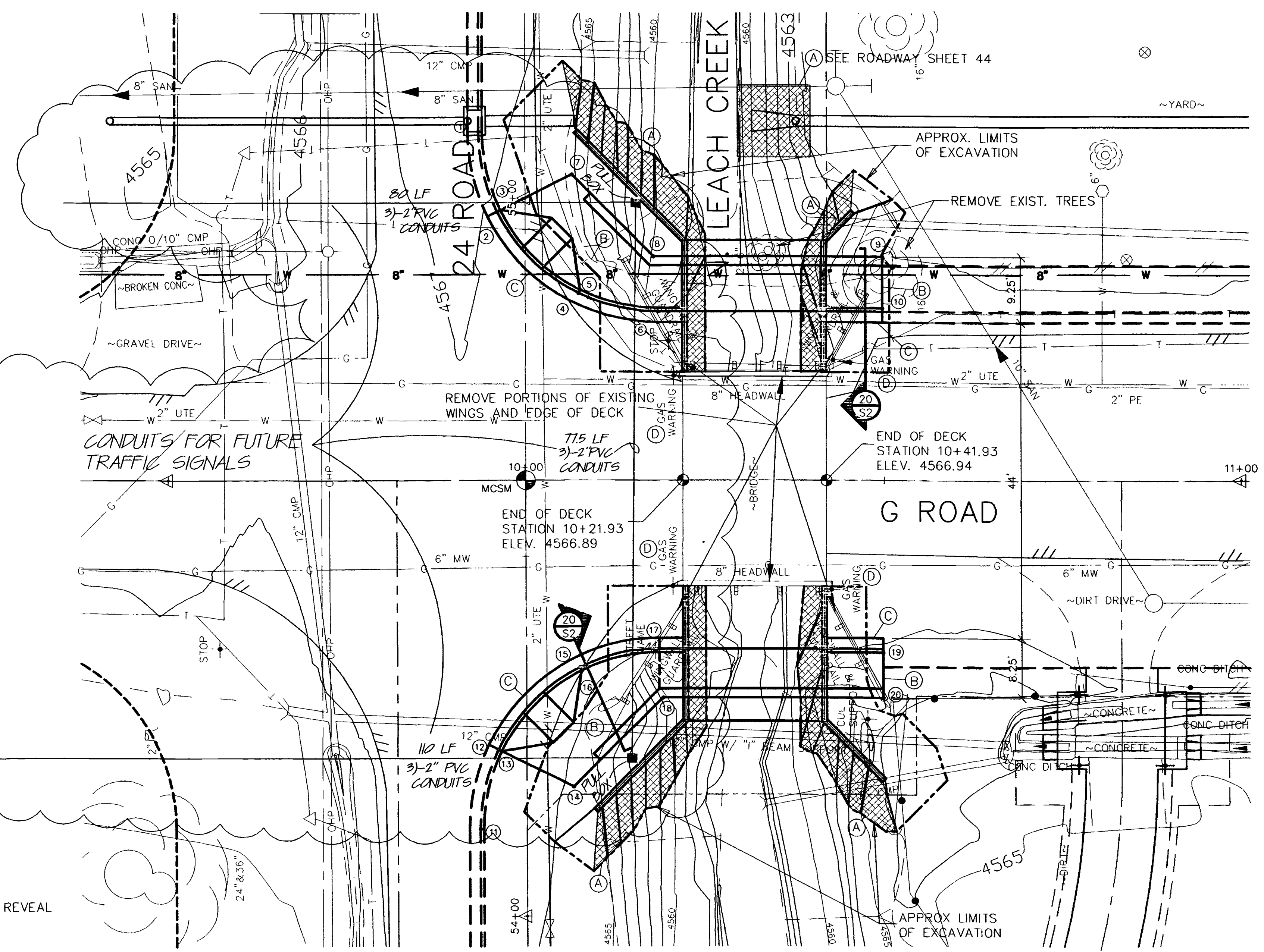
MCSM
 STA. 54+60.63 (24 ROAD)
 NE CORN. SECT. 5
 T1S, R1W, UM
 N50008.08
 E78898.11
 ELEV. 4566.43

AS CONSTRUCTED		
NO REVISIONS	REVISED	VOID

FEDERAL ROAD DISTRICT NO.	DIVISION	PROJ. NO.	SHEET NO.	TOTAL SHEETS
	COLORADO	SR-1985-010	54	54

PROJECT CONTROL COORDINATES

DESCRIPTION	24 RD. STA.	NORTHING	EASTING	ELEVATION
BK. WEST ABUTMENT	STA. 10+21.93	50008.065	78920.040	4566.89
BK. EAST ABUTMENT	STA. 10+41.93	50008.051	78940.040	4566.94



PNT	STATION	OFFSET	DESCRIPTION	NORTHING	EASTING	ELEV.
1	9+93.52	-48.26	FLOWLINE	50056.588	78891.651	4566.21
2	9+96.11	-37.45	FLOWLINE	50045.527	78894.221	4566.27
3	9+96.53	-37.67	TBC	50045.748	78894.669	4566.79
4	10+07.45	-26.08	FLOWLINE	50034.154	78905.576	4566.36
5	10+07.71	-26.53	TBC	50034.602	78905.798	4566.88
6	10+18.51	-23.50	FLOWLINE	50031.567	78916.633	4566.42
7	10+06.53	-42.60	BOW	50050.670	78904.670	4567.02
8	10+17.87	-31.25	BOW	50039.320	78916.003	4567.26
9	10+49.81	-31.25	BOW	50039.298	78947.939	4567.15
10	10+49.81	-24.0	TBC	50032.046	78947.934	4567.00
11	9+93.35	48.53	FLOWLINE	49959.551	78891.642	4565.67
12	9+96.10	37.50	FLOWLINE	49970.584	78894.200	4565.89
13	9+96.55	37.72	TBC	49970.364	78894.649	4566.41
14	10+06.61	42.64	BOW	49965.433	78904.693	4566.64
15	10+07.49	26.09	FLOWLINE	49981.989	78905.585	4566.25
16	10+07.71	26.53	TBC	49981.541	78905.606	4566.78
17	10+18.51	23.5	FLOWLINE	49984.567	78916.859	4566.51
18	10+19.09	30.25	BOW	49977.820	78917.175	4567.24
19	10+49.81	24.0	TBC	49984.046	78947.901	4567.00
20	10+49.81	30.25	BOW	49977.800	78947.896	4567.13

DESIGNED BY JCS
DRAWN BY JCS
REVISIONS

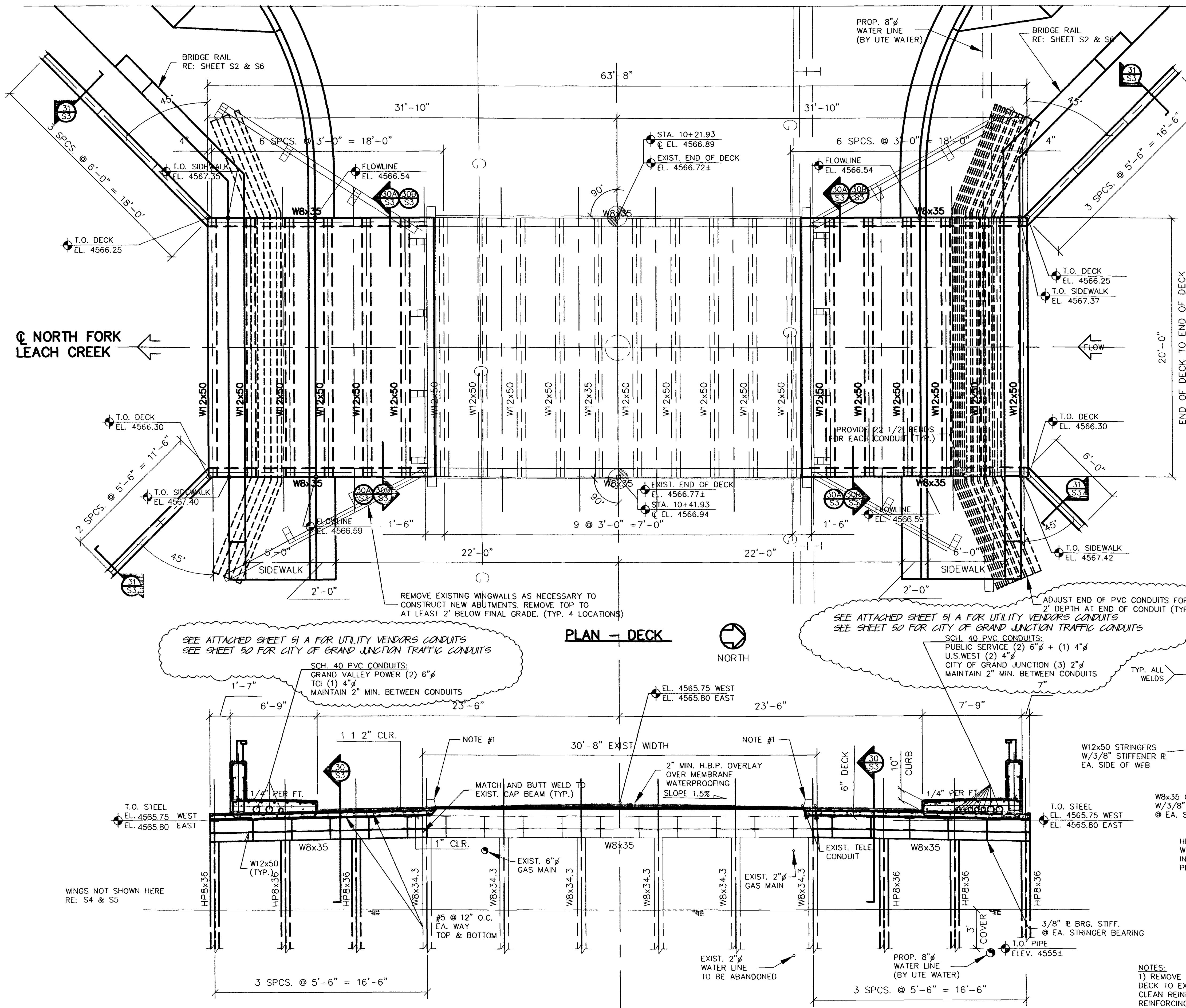
NO.	DATE	REVISIONS
1	9-20	ASBUILT

BRIDGE WIDENING - 24 & G ROADS
CITY OF GRAND JUNCTION, COLORADO

NICHOLS ASSOCIATES, INC.
 CIVIL ENGINEERING • PHOTOGRAMMETRY • SURVEYING
 781 Horton Court • Grand Junction, Colorado 81506 • Phone: 870-346-7101

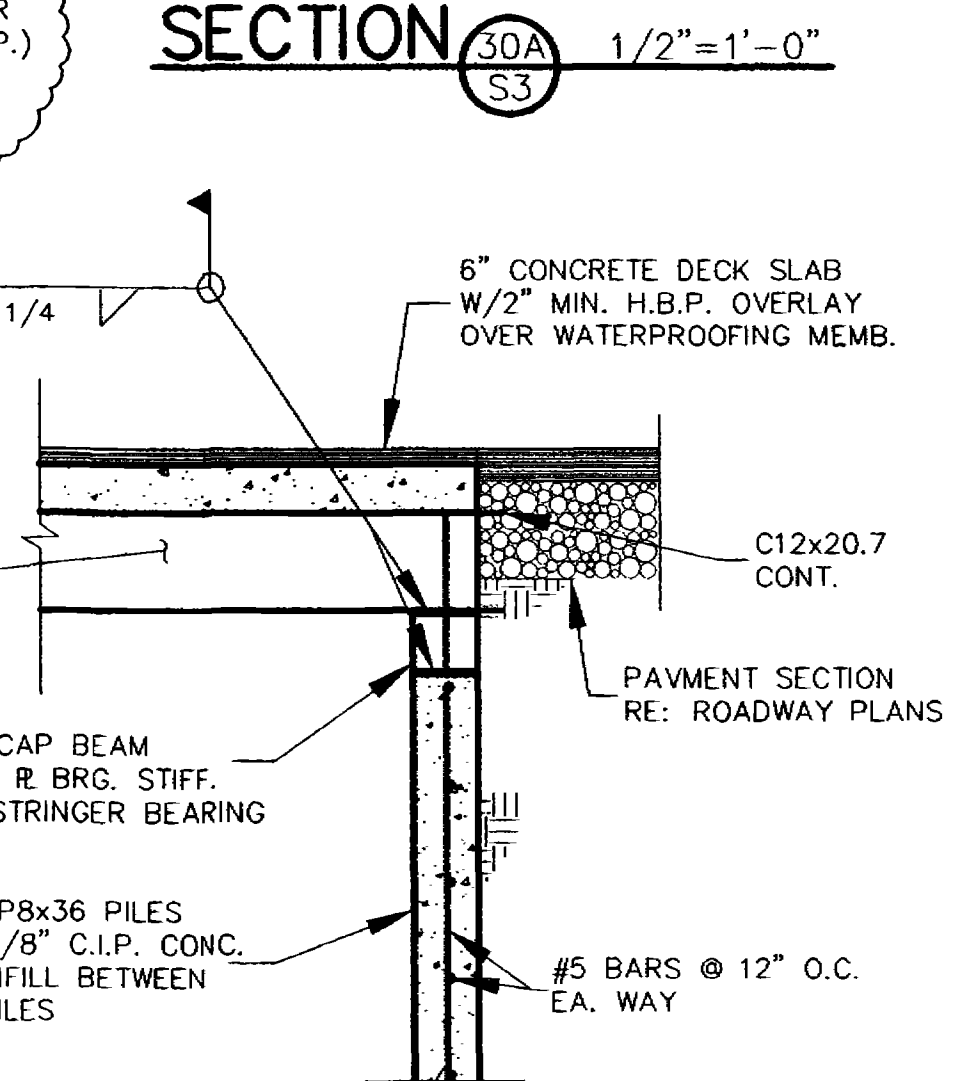
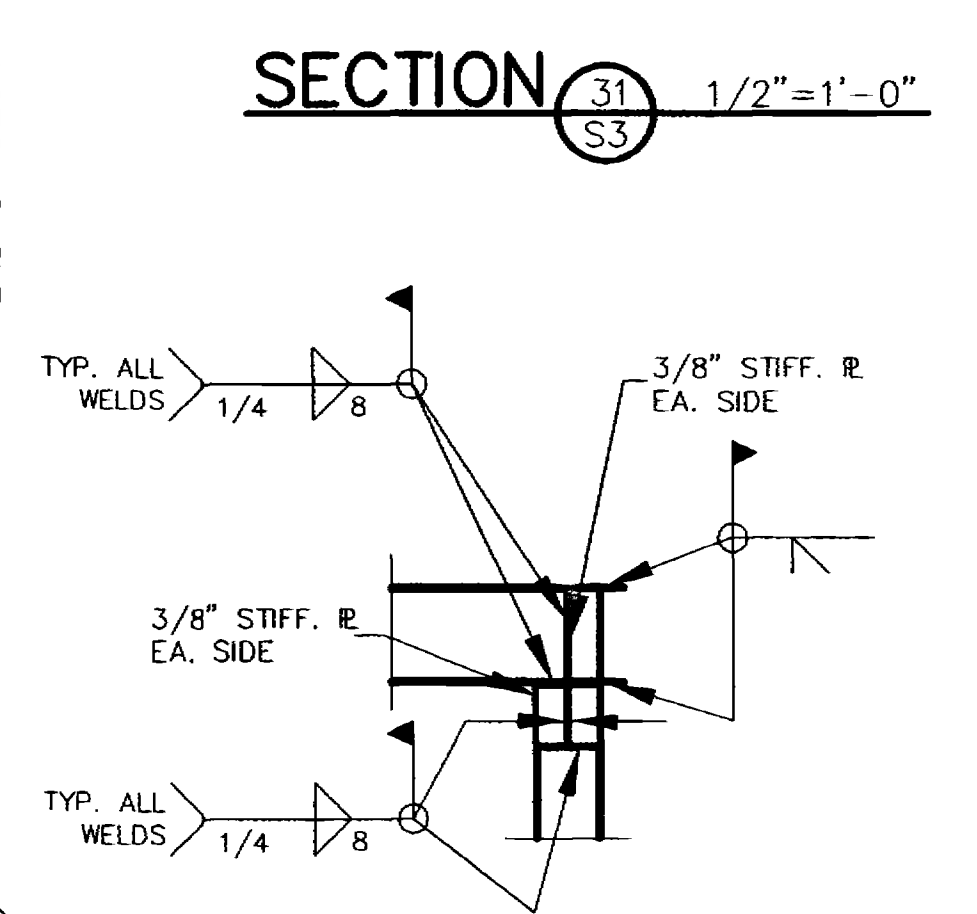
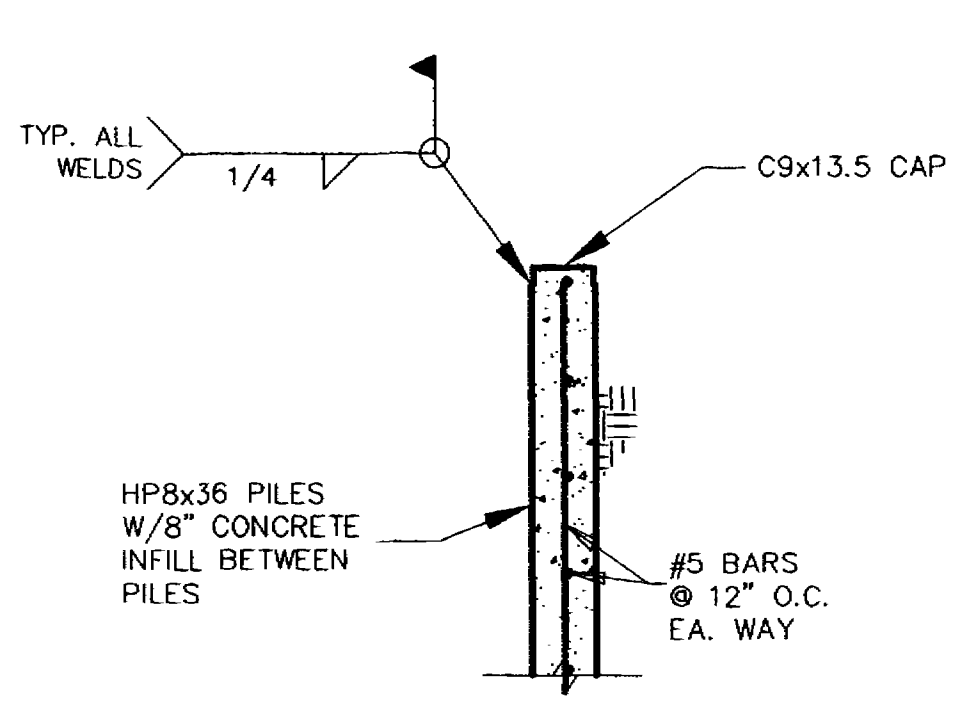
DATE 11/30/99
SCALE 1" = 10'
PROJECT NUMBER 3480B
SHEET NUMBER 50 OF 54

04119854.tif



FEDERAL ROAD DISTRICT NO.	DIVISION	PROJ. NO.	SHEET NO.	TOTAL SHEETS
VI	COLORADO	974-M285-010	51	54

AS CONSTRUCTED		
NO. REVISIONS	REVISION	VOID



SEE ATTACHED SHEET 51 A FOR UTILITY VENDORS CONDUITS
SEE SHEET 50 FOR CITY OF GRAND JUNCTION TRAFFIC CONDUITS

SEE ATTACHED SHEET 51 A FOR UTILITY VENDORS CONDUITS
SEE SHEET 50 FOR CITY OF GRAND JUNCTION TRAFFIC CONDUITS

SCH. 40 PVC CONDUITS:
PUBLIC SERVICE (2) 6" + (1) 4"
U.S. WEST (2) 4"
CITY OF GRAND JUNCTION (3) 2"
MAINTAIN 2" MIN. BETWEEN CONDUITS

NOTES:
1) REMOVE EXISTING CONCRETE CURB AND EDGE OF DECK TO EXPOSE MIN. 12" OF EXIST. REINFORCING. CLEAN REINFORCING OF ALL CONCRETE. LAP NEW REINFORCING 12" WITH EXIST. APPLY EPOXY BONDING AGENT TO BROKEN EDGE OF EXIST. DECK PRIOR TO CASTING NEW DECK.

DESIGNED BY		DRAWN BY		SURVEY DATE	
REVISIONS		BY		DATE	
NO.	REVISIONS	NO.	DATE	DATE	DATE
1	ASBUILT	JCS	9-200		

BRIDGE WIDENING - 24 & G ROADS
CITY OF GRAND JUNCTION, COLORADO

CIVIL ENGINEERING • PHOTOGRAMMETRY • SURVEYING
751 Hartman Court • Grand Junction, Colorado 81508 • Phone: 870-348-7101

NICHOLS ASSOCIATES, INC.

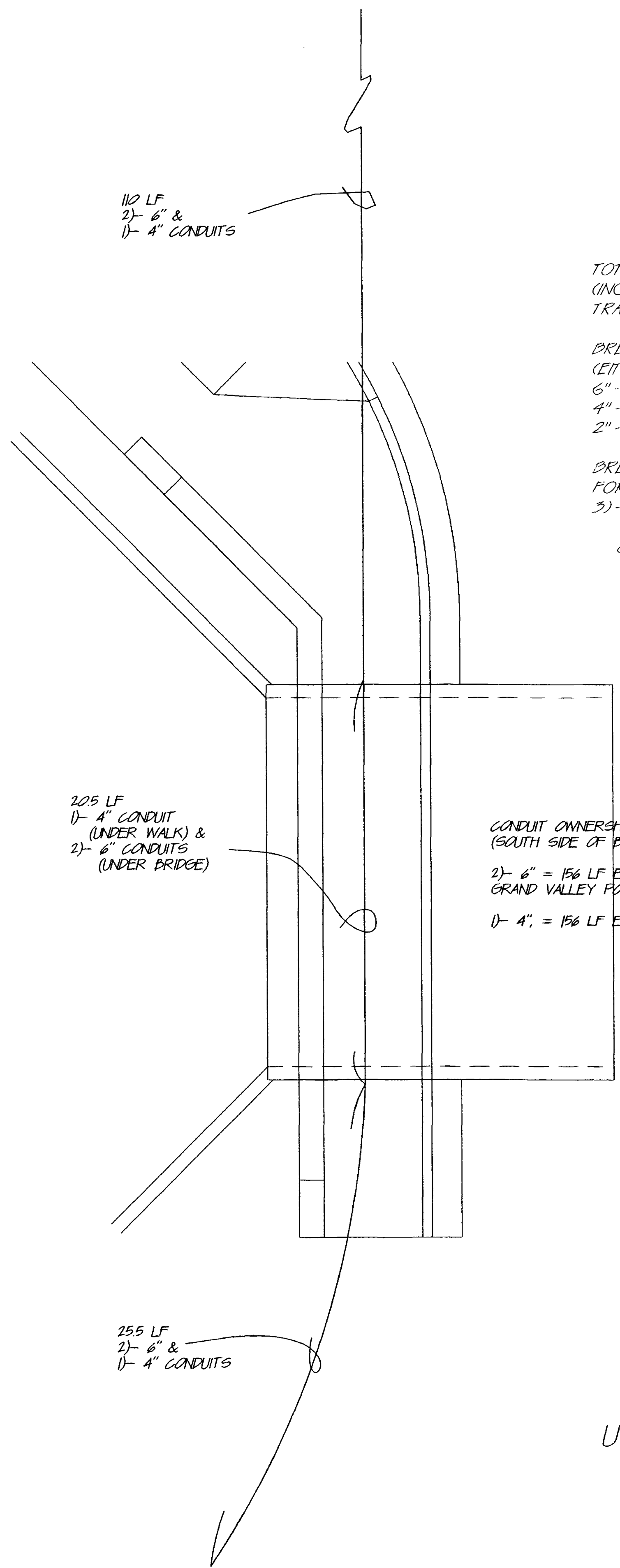
DATE	11/19/99
SCALE	1/4" = 1'-0"
PROJECT	3480B
SHEET	51 OF 54

ASBUILT

FEDERAL ROAD DISTRICT NO.	DIVISION	PROJ. NO.	SHEET NO.	TOTAL SHEETS
18	COLORADO	978-1885-010	01	04
AS CONSTRUCTED				
NO REVISIONS	REVISED	VOID		
REVISIONS				

DESIGNED BY	
DRAWN BY	JS
SURVEY DATE	

REVISIONS	
NO.	DATE
1	9-22
BY	REVISIONS
JS	ASBUILT



110 LF
2)- 6" &
1)- 4" CONDUITS

TOTAL AMOUNT OF UTILITY TRENCH DUG - 508 LF
(INCLUDES TRENCHING FOR CITY OF GRAND JUNCTION TRAFFIC SIGNALIZATION)

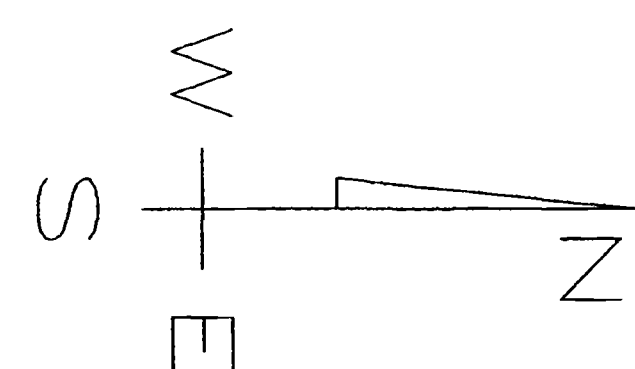
BREAKDOWN OF CONDUITS ACROSS BRIDGE
(EITHER SIDE, ON TOP OR BELOW)
6" - 615 LF
4" - 82 LF
2" - 1025 LF

BREAK DOWN OF TRENCH WORK DONE EXCLUSIVELY
FOR THE CITY OF GRAND JUNCTION TRAFFIC DEPARTMENT
3)- 2" CONDUITS -
2675 LF OF TRENCHING AND
8025 LF OF 2" CONDUITS

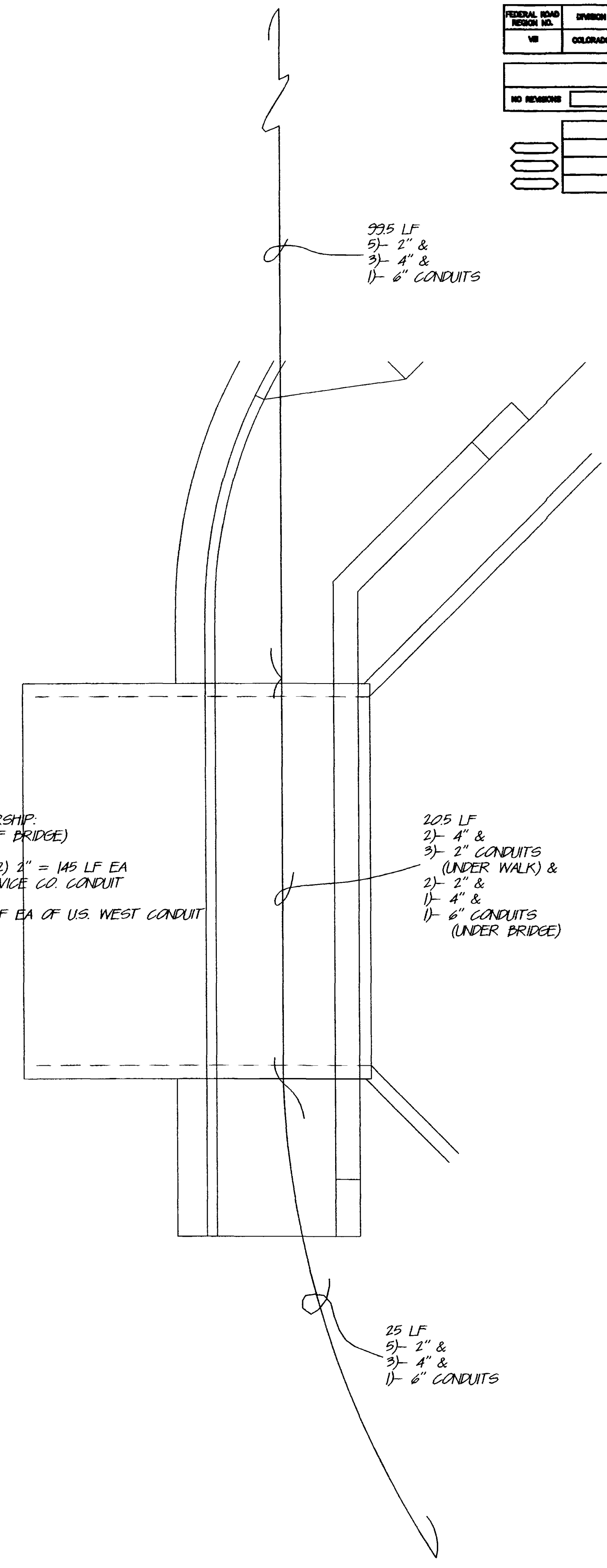
205 LF
1)- 4" CONDUIT
(UNDER WALK) &
2)- 6" CONDUITS
(UNDER BRIDGE)

CONDUIT OWNERSHIP:
(SOUTH SIDE OF BRIDGE)
2)- 6" = 156 LF EA OF
GRAND VALLEY POWER CONDUIT
1)- 4" = 156 LF EA OF U.S. WEST CONDUIT

255 LF
2)- 6" &
1)- 4" CONDUITS



UTILITY VENDORS CONDUIT LOCATIONS



995 LF
5)- 2" &
3)- 4" &
1)- 6" CONDUITS

CONDUIT OWNERSHIP:
(NORTH SIDE OF BRIDGE)
1) 6", 1)- 4" & 2) 2" = 145 LF EA
OF PUBLIC SERVICE CO. CONDUIT
2)- 4" = 145 LF EA OF U.S. WEST CONDUIT

205 LF
2)- 4" &
3)- 2" CONDUITS
(UNDER WALK) &
2)- 2" &
1)- 4" &
1)- 6" CONDUITS
(UNDER BRIDGE)

25 LF
5)- 2" &
3)- 4" &
1)- 6" CONDUITS

**BRIDGE WIDENING - 24 & G ROADS
CITY OF GRAND JUNCTION, COLORADO**

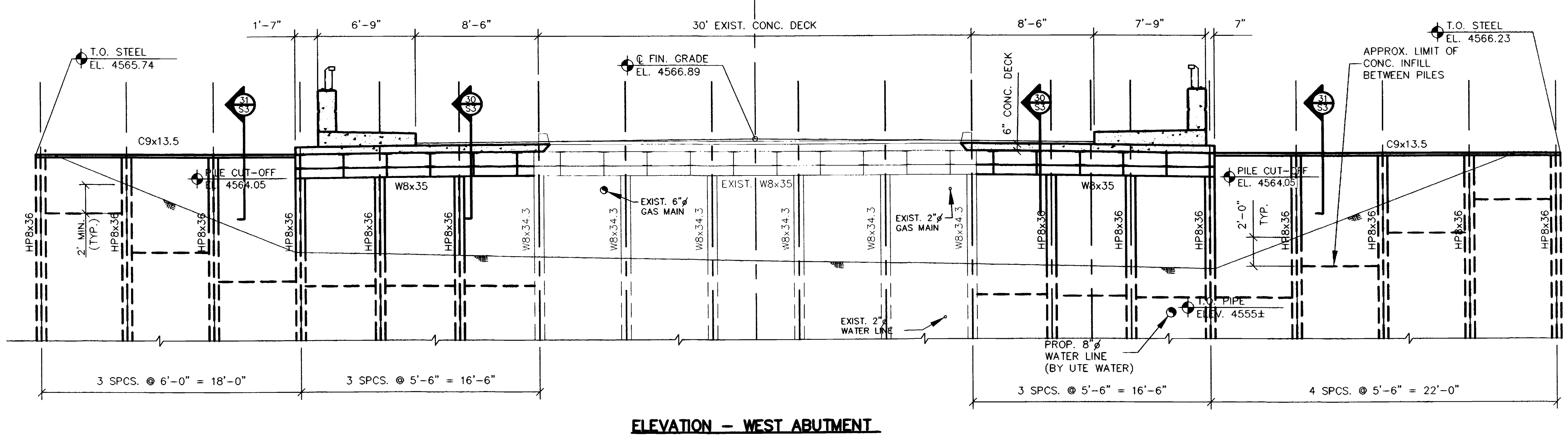
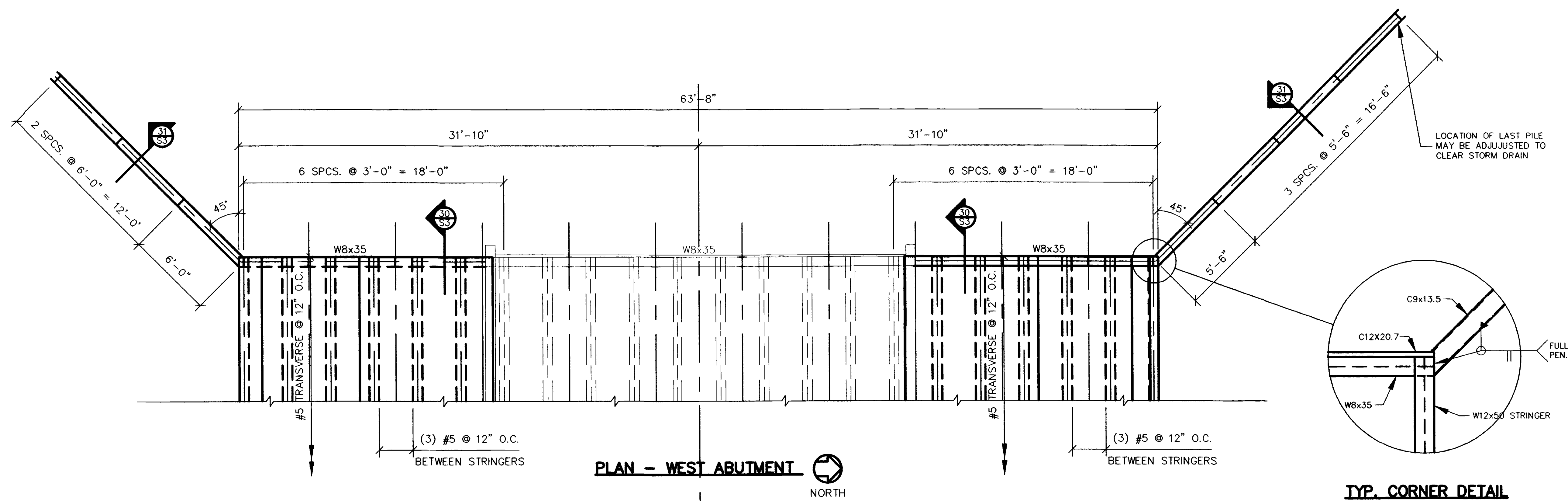
NICHOLS ASSOCIATES, INC.
CIVIL ENGINEERING • PHOTOGRAMMETRY • SURVEYING
761 Herbert Court • Grand Junction, Colorado 81508 • Phone: 970-248-7701

DATE	11/19/99
SCALE	1/4" = 1'-0"
PROJECT	3480B
SHEET	51a of 54

ASBUILT

FEDERAL ROAD DISTRICT NO.	DIVISION	PROJ. NO.	SHEET NO.	TOTAL SHEETS
VI	COLORADO	574-4885-010	02	54
AS CONTRACTED				
NO REVISIONS	REVISION	DATE	BY	

DESIGNED BY	BY
DRAWN BY	DATE
SURVEY DATE	



REVISIONS	NO.	DATE	REVISIONS

BRIDGE WIDENING - 24 & G ROADS
CITY OF GRAND JUNCTION, COLORADO

CIVIL ENGINEERING • PHOTOGRAMMETRY • SURVEYING
751 Hudson Court • Grand Junction, Colorado 81508 • Phone: 970-246-7101



DATE	11/19/99
SCALE	1/4" = 1'-0"
PROJECT	3480B

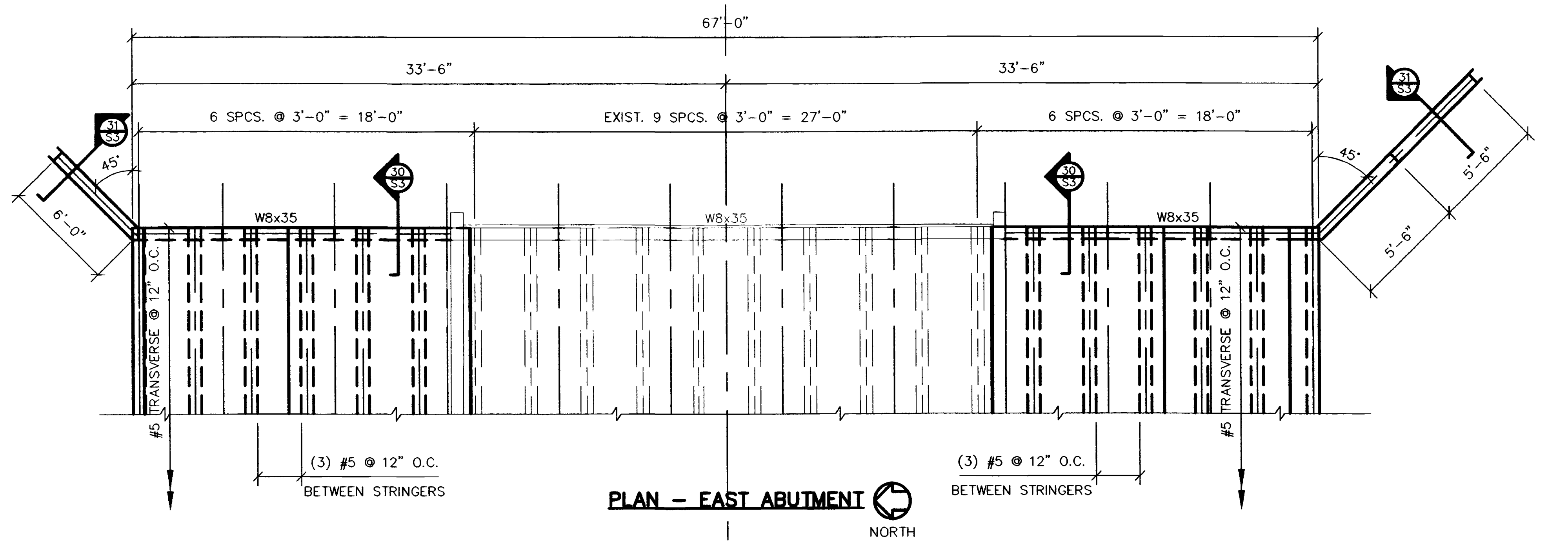
SHEET	52 of 54
-------	----------

FEDERAL ROAD DISTRICT NO.	SECTION	PROJ. NO.	SHEET NO.	TOTAL SHEETS
VI	COLORADO	870-1000-000	53	54

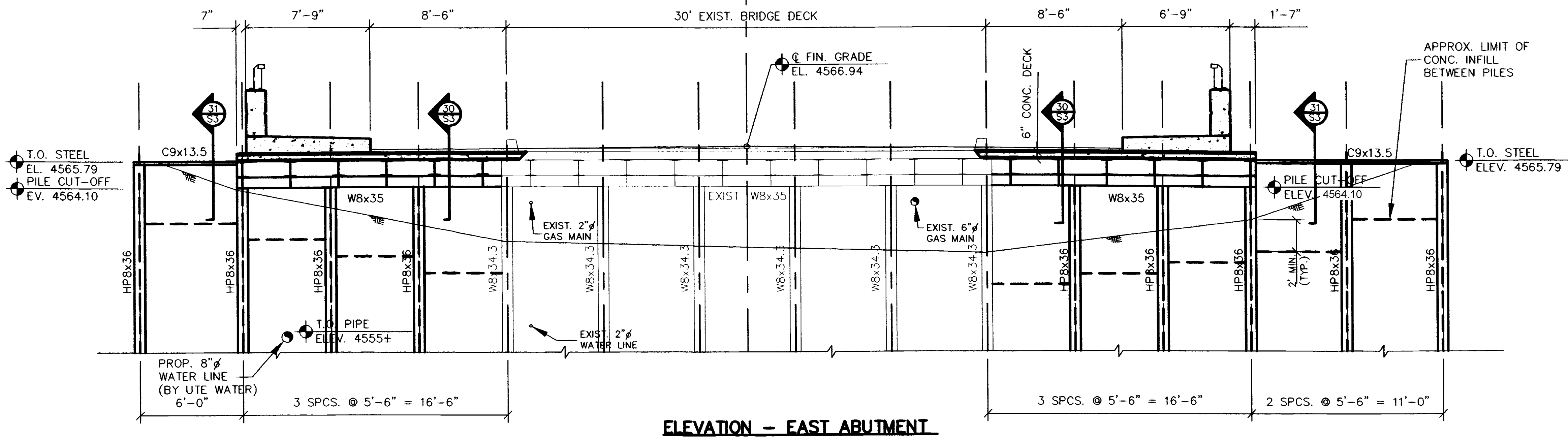
AS CONSTRUCTED		
NO REVISIONS	REVISED	VOID
REVISIONS		

DESIGNED BY	DRAWN BY	SURVEY DATE

REVISIONS	NO.	DATE	REMARKS



PLAN - EAST ABUTMENT
NORTH



ELEVATION - EAST ABUTMENT

BRIDGE WIDENING - 24 & G ROADS
CITY OF GRAND JUNCTION, COLORADO

CIVIL ENGINEERING • PHOTOGRAMMETRY • SURVEYING
751 Northern Court • Grand Junction, Colorado 81508 • Phone: 970-948-7101



DATE
1/19/99

SCALE
1/4" = 1'-0"

PROJECT
3480B

SHEET
53 of 54

