



CITY OF GRAND JUNCTION, COLORADO

CONTRACT

This CONTRACT made and entered into this 15th day of July, 2021 by and between the **City of Grand Junction, Colorado**, a government entity in the County of Mesa, State of Colorado, hereinafter in the Contract Documents referred to as the "Owner" and **Crum Electric Supply** hereinafter in the Contract Documents referred to as the "Contractor."

WITNESSETH:

WHEREAS, the Owner advertised that sealed Bids would be received for furnishing all labor, tools, supplies, equipment, materials, and everything necessary and required for the Project described by the Contract Documents and known as **IFB-4915-21-SH Persigo WWTP Electrical Equipment Procurement**.

WHEREAS, the Contract has been awarded to the above named Contractor by the Owner, and said Contractor is now ready, willing and able to perform the Work specified in the Notice of Award, in accordance with the Contract Documents;

NOW, THEREFORE, in consideration of the compensation to be paid the Contractor, the mutual covenants hereinafter set forth and subject to the terms hereinafter stated, it is mutually covenanted and agreed as follows:

ARTICLE 1

Contract Documents: It is agreed by the parties hereto that the following list of instruments, drawings, and documents which are attached hereto, bound herewith, or incorporated herein by reference constitute and shall be referred to either as the "Contract Documents" or the "Contract", and all of said instruments, drawings, and documents taken together as a whole constitute the Contract between the parties hereto, and they are fully a part of this agreement as if they were set out verbatim and in full herein:

The order of contract document governance shall be as follows:

- a. The body of this contract agreement
- b. Solicitation Documents for the Project and all Addenda; **IFB-4915-21-SH**;
- c. Intent to Award
- d. Contractors Response to the Solicitation
- e. Work Change Requests (directing that changed work be performed);
- f. Field Orders
- g. Change Orders.

ARTICLE 2

Definitions: The clauses provided in the Solicitation apply to the terms used in the Contract and all the Contract Documents.

ARTICLE 3

Contract Work: The Contractor agrees to furnish all labor, tools, supplies, equipment, materials, and all that is necessary and required to complete the tasks associated with the Work described, set forth, shown, and included in the Contract Documents as indicated in the Solicitation Document.

ARTICLE 4

Contract Price and Payment Procedures: The Contractor shall accept as full and complete compensation for the performance and completion of all of the Work specified in the Contract Documents, the sum of **Sixty Nine Thousand Eight Hundred Seventy One dollars and One cent (\$69,871.01)**. If this Contract contains unit price pay items, the Contract Price shall be adjusted in accordance with the actual quantities of items completed and accepted by the Owner at the unit prices quoted in the Solicitation Response. The amount of the Contract Price is and has heretofore been appropriated by the Grand Junction City Council for the use and benefit of this Project. The Contract Price shall not be modified except by Change Order or other written directive of the Owner. The Owner shall not issue a Change Order or other written directive which requires additional work to be performed, which work causes the aggregate amount payable under this Contract to exceed the amount appropriated for this Project, unless and until the Owner provides Contractor written assurance that lawful appropriations to cover the costs of the additional work have been made.

Unless otherwise provided in the Solicitation, monthly partial payments shall be made as the Work progresses. Applications for partial and Final Payment shall be prepared by the Contractor and approved by the Owner in accordance with the Solicitation.

Upon Final Completion of the Work under the Contract and before the Contractor shall receive final payment, the Owner shall publish at least twice in a newspaper of general circulation published in the County a notice that: 1) the Owner has accepted such Work as completed according to the Contract Documents; 2) the Contractor is entitled to final payment therefore; 3) thirty days after the first publication, specifying the exact date, the Owner shall pay the full balance due under the Contract; and 4) persons having claims for labor, materials, team hire, sustenance, provisions, provender, or other supplies used or consumed by the Contractor or a subcontractor shall file a verified statement of the amount due and unpaid on account of such claim prior to the date specified for such payment. Nothing herein shall be construed as relieving the Contractor and the Sureties on the Contractor's Bonds from any claim or claims for work or labor done or materials or supplies furnished in the execution of the Contract.

ARTICLE 5

Contract Binding: The Owner and the Contractor each binds itself, its partners, successors, assigns and legal representatives to the other party hereto in respect to all covenants, agreements and obligations contained in the Contract Documents. The Contract Documents constitute the entire agreement between the Owner and Contractor and may only be altered, amended or repealed by a duly executed written instrument. Neither the Owner nor the Contractor shall, without the prior written consent of the other, assign or sublet in whole or in part its interest under any of the Contract Documents and specifically, the Contractor shall not assign any moneys due or to become due without the prior written consent of the Owner.

ARTICLE 6

Severability: If any part, portion or provision of the Contract shall be found or declared null, void or unenforceable for any reason whatsoever by any court of competent jurisdiction or any governmental agency having the authority thereover, only such part, portion or provision shall be effected thereby and all other parts, portions and provisions of the Contract shall remain in full force and effect.

IN WITNESS WHEREOF, City of Grand Junction, Colorado, has caused this Contract to be subscribed in its behalf; and the Contractor has signed this Contract the day and the year first mentioned herein.

CITY OF GRAND JUNCTION, COLORADO

DocuSigned by:
By: Susan Hyatt
Title: Senior Buyer

7/15/2021 | 15:26 MDT
Date

CRUM ELECTRIC SUPPLY

DocuSigned by:
By: Dale Cirbo
Title: Vice President

7/15/2021 | 15:25 MDT
Date



NOTICE OF INTENT TO AWARD

Date: July 13, 2021
Contractor: Crum Electric Supply
Project: Persigo WWTP Electrical Equipment Procurement IFB-4915-21-SH

The City of Grand Junction has considered the Response submitted by the Contractor for the Project, in response to the Solicitation.

The Contractor is hereby notified that the Bid received from the Contractor for the Project in the amount of **\$69,871.01** was accepted. The Contractor is hereby awarded all portions of the Project described as: **Persigo WWTP Electrical Equipment Procurement**, the entire project as itemized in the Solicitation Response.

The Contractor is required submit Certificates of Insurance within ten (10) calendar days of the date of this Notice of Intent to Award. The City shall also be entitled to such other rights as may be granted by law or the Contract Documents.

A handwritten signature in cursive script, reading "Susan J. Hyatt".

Susan Hyatt, Senior Buyer

Receipt of this Notice to Award is hereby acknowledged:

Contractor:

By:

Title:

Date:

Dale E. Cirba Dale E. Cirba
Outside Sales
7-13-21

The Contractor is required to return an acknowledged copy of this Notice of Award to the City/County.



Purchasing Division

Invitation for Bid

IFB-4915-21-SH

Persigo WWTP Electrical Equipment Purchase

Responses Due:

June 29, 2021 prior to 2:30 P.M.

**Accepting Electronic Responses Only Submitted Through the Rocky Mountain
E-Purchasing System (RMEPS)**
www.bidnetdirect.com/colorado

(Purchasing Representative does not have access or control of the vendor side of RMEPS. If website or other problems arise during response submission, vendor **MUST** contact RMEPS to resolve issue prior to the response deadline. 800-835-4603)

**ALL BID OPENINGS WILL BE HELD ELECTRONICALLY.
SEE SECTION 1.4 FOR DETAILS**

Purchasing Representative:

Susan Hyatt, Senior Buyer

susan@gjcity.org

970-244-1513

This document has been developed specifically to solicit competitive responses for this solicitation, and may not be the same as previous City of Grand Junction solicitations. All vendors are urged to thoroughly review this solicitation prior to responding. Submittal by **FAX, EMAIL or HARD COPY IS NOT ACCEPTABLE** for this solicitation.

Table of Contents

Section 1	Instruction to Bidders
Section 2	General Contract Conditions
Section 3	Statement of Work
Section 4	Bid Form
	Price Proposal/Bid Schedule Form

1. Instructions to Bidders

- 1.1. **Purpose:** The City of Grand Junction is soliciting competitive bids from qualified and interested companies for all labor, equipment, and materials required to provide and deliver **electrical equipment and related supplies for Persigo Wastewater Treatment Plant Improvements**. All dimensions and scope of work should be verified by Bidders prior to submission of bids.

IFB Questions:

Susan Hyatt, Senior Buyer

susanh@gjcity.org

The City would like to remind all Contractors, Sub-Contractors, Vendors, Suppliers, Manufacturers, Service Providers, etc. that (with the exception of Pre-Bid or Site Visit Meetings) all questions, inquiries, comments, or communication pertaining to any formal solicitation (whether process, specifications, scope, etc.) must be directed (in writing) to the Purchasing Agent assigned to the project, or Purchasing Division. **Direct communication with the City assigned Project Managers/Engineers is not appropriate for public procurement and may result in disqualification.**

- 1.2. **The Owner:** The Owner is the City of Grand Junction, Colorado and is referred to throughout this Solicitation. The term Owner means the Owner or his authorized representative.
- 1.3. **Procurement Process:** Procurement processes shall be governed by the most current version of the City of Grand Junction [Purchasing Policy and Procedure Manual](#).
- 1.4. **Submission:** **Each proposal shall be submitted in electronic format only through the Rocky Mountain E-Purchasing website <http://www.bidnetdirect.com/colorado>.** *This site offers both “free” and “paying” registration options that allow for full access of the City’s documents and for electronic submission of proposals. (Note: “free” registration may take up to 24 hours to process. Please Plan accordingly.)* **The uploaded response to this RFP shall be a single PDF document with all required information included.** For proper comparison and evaluation, the City requests that proposals be formatted as directed in Section 5.0 “Preparation and Submittal of Proposals.” Submittals received that fail to follow this format may be ruled non-responsive. Please view our “**Electronic Vendor Registration Guide**” at <https://www.gjcity.org/501/Purchasing-Bids> for details. (Purchasing Representative does not have access or control of the vendor side of RMEPS. If website or other problems arise during response submission, vendor **MUST** contact RMEPS to resolve issue prior to the response deadline. **800-835-4603**)

Please join the virtual bid opening, Persigo WWTP Electrical Equipment Procurement IFB-4915-21-SH on GoToConnect from your computer using the Chrome browser. <https://app.goto.com/meet/663795685>

You can also dial in using your phone.

Dial-In

(571) 317-3116

Access Code

663-795-685

Audio PIN

1

- 1.5. **Printed Form for Price Bid:** All Price Bids must be made upon the Bid Form attached and should give the amounts both in words and in figures, and must be signed and acknowledged by the bidder.
- 1.6. **Exclusions:** No oral, telephonic, emailed, or facsimile bid will be considered
- 1.7. **Contract Documents:** The complete IFB and bidder's response compose the Contract Documents. Copies of these documents can be obtained from the City Purchasing website, <https://co-grandjunction.civicplus.com/501/Purchasing-Bids> .
- 1.8. **Examination of Specifications:** Bidders shall thoroughly examine and be familiar with the project Statement of Work. The failure or omission of any Bidder to receive or examine any form, addendum, or other document shall in no way relieve any Bidder from any obligation with respect to his bid. The submission of a bid shall be taken as evidence of compliance with this section.
- 1.9. **Questions Regarding Statement of Work:** Any information relative to interpretation of Scope of Work or specifications shall be requested of the Purchasing Representative, in writing, in ample time prior to the response time.
- 1.10. **Addenda & Interpretations:** All Questions shall be submitted in writing to the appropriate person as shown in Section 1.1. Any interpretations, corrections and changes to this solicitation or extensions to the opening/receipt date shall be made by written Addendum by the Owner. Sole authority to authorize addenda shall be vested in the Purchasing Representative. Addenda will be issued electronically through the Rocky Mountain E-Purchasing website at www.bidnetdirect.com/colorado and will be posted on the Owner's website at www.gjcity.org/501/Purchasing-Bids. Bidders shall acknowledge receipt of all addenda in their response and are solely responsible for obtaining all solicitation documents.
- 1.11. **Taxes:** The Owner is exempt from State retail and Federal tax. The bid price must be net, exclusive of taxes.
- 1.12. **Offers Binding 60 Days:** Unless otherwise specified, all formal offers submitted shall be binding for sixty (60) calendar days following opening date, unless the Bidder, upon request of the Purchasing Representative, agrees to an extension.
- 1.13. **Collusion Clause:** Each bidder by submitting a bid certifies that it is not party to any collusive action or any action that may be in violation of the Sherman Antitrust Act. Any and all bids shall be rejected if there is evidence or reason for believing that collusion exists among bidders. The Owner may, or may not, accept future bids for the same services or commodities from participants in such collusion.
- 1.14. **Public Disclosure Record:** If the bidder has knowledge of their employee(s) or sub-contractors having an immediate family relationship with an Owner employee or elected official, the bidder must provide the Purchasing Representative with the name(s) of these individuals. These individuals are required to file an acceptable "Public Disclosure Record", a statement of financial interest, before conducting business with the Owner.

2. General Contract Conditions

- 2.1. The Contract:** This Invitation for Bid, submitted documents, and any negotiations, when properly accepted by the Owner, shall constitute a contract equally binding between the Owner and Bidder. The contract represents the entire and integrated agreement between the parties hereto and supersedes all prior negotiations, representations, or agreements. The contract may be amended or modified with Change Orders, Field Orders, or Amendment(s).
- 2.2. Execution, Correlation, Intent, and Interpretations:** The Contract Documents and/or Purchase Order shall be signed by the Owner (Owner) and Contractor. Owner will provide the contract/purchase order. By executing the contract/purchase order, the Bidder represents that they have familiarized themselves with the local conditions under which the work is to be performed and correlated his observations with the requirements of the Contract Documents. The Contract Documents are complementary, and what is required by any one, shall be as binding as if required by all. The intention of the documents is to include all labor, materials, equipment and other items necessary for the proper execution and completion of the scope of work as defined herein. All drawings, specifications and copies furnished by the Owner are, and shall remain, Owner property. They are not to be used on any other project, and with the exception of one contract set for each party to the contract, are to be returned to the owner on request at the completion of the work.
- 2.3. The Owner:** The Owner is the City of Grand Junction, Colorado and is referred to throughout the Contract Documents. The term Owner means the Owner or his authorized representative. The Owner shall, at all times, have access to the work wherever it is in preparation or progress. The Contractor shall provide facilities for such access. The Owner will familiarize himself generally with the progress and quality of work and to determine, in general, if the work is proceeding in accordance with the contract documents. The Owner will not be responsible for the acts or omissions of the Contractor, and sub-Contractor, or any of their agents or employees, or any other persons performing any of the work.
- 2.4. Contractor:** The Contractor is the person or organization identified as such in the Agreement and is referred to throughout the Contract Documents. The term Contractor means the Contractor or his authorized representative. The Contractor shall carefully study and compare the General Contract Conditions of the Contract, Specification and/or Drawings, Scope of Work, Addenda and Modifications and shall at once report to the Owner any error, inconsistency or omission he may discover. Contractor shall not be liable to the Owner for any damage resulting from such errors, inconsistencies or omissions. The Contractor shall not commence work without clarifying Drawings, Specifications, or Interpretations.
- 2.5. Warranty:** The Contractor warrants to the Owner that all materials and equipment furnished under this contract will be new unless otherwise specified, be of good quality, free from faults and defects and in conformance with the Contract Documents. All materials and equipment not so conforming to these standards may be considered defective. If required by Owner, the Contractor shall furnish satisfactory evidence as to

the kind and quality of materials and equipment. If within ten (10) days after written notice to the Contractor requesting such repairs or replacement, the Contractor should neglect to make or undertake with due diligence to the same, the City may make such replacements. All indirect and direct costs of such correction or replacement shall be at the Contractor's expense.

2.6. Insurance Requirements: The selected Contractor agrees to procure and maintain, at its own cost, policy(s) of insurance sufficient to insure against all liability, claims, demands, and other obligations assumed by the Contractor pursuant to this Section. Such insurance shall be in addition to any other insurance requirements imposed by this Contract or by law. The Contractor shall not be relieved of any liability, claims, demands, or other obligations assumed pursuant to this Section by reason of its failure to procure or maintain insurance in sufficient amounts, durations, or types. Contractor shall procure and maintain and, if applicable, shall cause any Subcontractor of the Contractor to procure and maintain insurance coverage listed below. Such coverage shall be procured and maintained with forms and insurers acceptable to the Owner. In the case of any claims-made policy, the necessary retroactive dates and extended reporting periods shall be procured to maintain such continuous coverage. Minimum coverage limits shall be as indicated below unless specified otherwise:

(a) Worker Compensation: Contractor shall comply with all State of Colorado Regulations concerning Workers' Compensation insurance coverage.

(b) General Liability insurance with minimum limits of:

ONE MILLION DOLLARS (\$1,000,000) each occurrence and
ONE MILLION DOLLARS (\$1,000,000) per job aggregate.

The policy shall be applicable to all premises and operations. The policy shall include coverage for bodily injury, broad form property damage (including completed operations), personal injury (including coverage for contractual and employee acts), blanket contractual, products, and completed operations. The policy shall include coverage for explosion, collapse, and underground hazards. The policy shall contain a severability of interests provision.

(c) Comprehensive Automobile Liability insurance with minimum limits for bodily injury and property damage of not less than:

ONE MILLION DOLLARS (\$1,000,000) each occurrence and
ONE MILLION DOLLARS (\$1,000,000) aggregate

With respect to each of Contractors owned, hired, or non-owned vehicles assigned to be used in performance of the Work. The policy shall contain a severability of interests provision. The policies required by paragraph (b) above shall be endorsed to include the Owner, and the Owner's officers and employees as additional insureds. Every policy required above shall be primary insurance, and any insurance carried by the Owner, its officers, or its employees, or carried by or provided through any insurance pool of the Owner, shall be excess and not contributory insurance to that provided by Bidder. No additional insured endorsement to any required policy shall contain any exclusion for bodily injury or property damage arising from completed operations. The Bidder shall be solely responsible for any deductible losses under any policy required above.

- 2.7. Indemnification:** The Contractor shall defend, indemnify and save harmless the Owner, and all its officers, employees, insurers, and self-insurance pool, from and against all liability, suits, actions, or other claims of any character, name and description brought for or on account of any injuries or damages received or sustained by any person, persons, or property on account of any negligent act or fault of the Contractor, or of any Contractor's agent, employee, sub-contractor or supplier in the execution of, or performance under, any contract which may result from proposal award. Contractor shall pay any judgment with cost which may be obtained against the Owner growing out of such injury or damages.
- 2.8. Miscellaneous Conditions:** Material Availability: Contractors must accept responsibility for verification of material availability, production schedules, and other pertinent data prior to submission of bid. It is the responsibility of the bidder to notify the Owner immediately if materials specified are discontinued, replaced, or not available for an extended period of time. OSHA Standards: All bidders agree and warrant that services performed in response to this invitation shall conform to the standards declared by the US Department of Labor under the Occupational Safety and Health Act of 1970 (OSHA). In the event the services do not conform to OSHA standards, the Owner may require the services to be redone at no additional expense to the Owner.
- 2.9. Time:** The Contract Time is the period of time allotted in the Contract Documents for completion of product/material receipt. The date of commencement of the contract is the date established in the Contract Documents.
- 2.10. Payment & Completion:** The Contract Sum is stated in the Contract and is the total amount payable by the Owner to the Contractor for the products/materials under the Contract Documents. Upon receipt of the products/materials or written notice that the products/materials is ready for final inspection and acceptance and upon receipt of application for payment, the Owner's Project Manager will promptly make such inspection and, when he finds the products/materials acceptable under the Contract Documents and the Contract fully performed, the Owner shall make payment in the manner provided in the Contract Documents.
- 2.11. Protection of Persons & Property:** The Contractor shall comply with all applicable laws, ordinances, rules, regulations and orders of any public authority having jurisdiction for the safety of persons or property or to protect them from damage, injury or loss. Contractor shall erect and maintain, as required by existing safeguards for safety and protection, and all reasonable precautions, including posting danger signs or other warnings against hazards promulgating safety regulations and notifying owners and users of adjacent utilities. When or where any direct or indirect damage or injury is done to public or private property by or on account of any act, omission, neglect, or misconduct by the Contractor in the execution of the Contract, or in consequence of the non-execution thereof, the Contractor shall restore, at their own expense, such property to a condition similar or equal to that existing before such damage or injury was done, by repairing, rebuilding, or otherwise restoring as may be directed, or they shall make good such damage or injury in an acceptable manner.
- 2.12. Change Order/Amendment:** No oral statement of any person shall modify or otherwise change, or affect the terms, conditions or specifications stated in the resulting contract. All Change Orders/Amendments to the contract shall be made in writing by the Owner.

- 2.13. Assignment:** The Contractor shall not sell, assign, transfer or convey any contract resulting from this Solicitation, in whole or in part, without the prior written approval from the Owner.
- 2.14. Cancellation of Solicitation:** Any solicitation may be canceled by the Owner or any solicitation response by a vendor may be rejected in whole or in part when it is in the best interest of the Owner.
- 2.15. Compliance with Laws:** Bids must comply with all Federal, State, County and local laws governing or covering this type of service and the fulfillment of all ADA (Americans with Disabilities Act) requirements.
- 2.16. Confidentiality:** All materials submitted in response to this Solicitation shall ultimately become public record and shall be subject to inspection after contract award. **“Proprietary or Confidential Information”** is defined as any information that is not generally known to competitors and which provides a competitive advantage. Unrestricted disclosure of proprietary information places it in the public domain. Only submittal information clearly identified with the words **“Confidential Disclosure”** and uploaded as a separate document shall establish a confidential, proprietary relationship. Any material to be treated as confidential or proprietary in nature must include a justification for the request. The request shall be reviewed and either approved or denied by the Owner. If denied, the proposer shall have the opportunity to withdraw its entire proposal, or to remove the confidential or proprietary restrictions. Neither cost nor pricing information nor the total response shall be considered confidential or proprietary.
- 2.17. Conflict of Interest:** No public official and/or Owner employee shall have interest in any contract resulting from this Solicitation.
- 2.18. Contract Termination:** This contract shall remain in effect until any of the following occurs: (1) contract expires; (2) completion of work; (3) acceptance of work or, (4) for convenience terminated by either party with a written *Notice of Cancellation* stating therein the reasons for such cancellation and the effective date of cancellation.
- 2.19. Employment Discrimination:** During the performance of any services per agreement with the Owner, the Contractor, by submitting a response, agrees to the following conditions:
- 2.19.1.** The Contractor shall not discriminate against any employee or applicant for employment because of race, religion, color, sex, age, handicap, or national origin except when such condition is a legitimate occupational qualification reasonably necessary for the normal operations of the Contractor. The Contractor agrees to post in conspicuous places, visible to employees and applicants for employment, notices setting forth the provisions of this nondiscrimination clause.
- 2.19.2.** The Contractor, in all solicitations or advertisements for employees placed by or on behalf of the Contractor, shall state that such Contractor is an Equal Opportunity Employer.

- 2.19.3.** Notices, advertisements, and solicitations placed in accordance with federal law, rule, or regulation shall be deemed sufficient for the purpose of meeting the requirements of this section.
- 2.20. Immigration Reform and Control Act of 1986 and Immigration Compliance:** The Contractor certifies that it does not and will not during the performance of the contract employ illegal alien workers or otherwise violate the provisions of the Federal Immigration Reform and Control Act of 1986 and/or the immigration compliance requirements of State of Colorado C.R.S. § 8-17.5-101, *et.seq.* (House Bill 06-1343).
- 2.21. Ethics:** The Contractor shall not accept or offer gifts or anything of value nor enter into any business arrangement with any employee, official, or agent of the Owner.
- 2.22. Failure to Deliver:** In the event of failure of the Contractor to deliver products/materials in accordance with the contract terms and conditions, the Owner, after due oral or written notice, may procure the products/materials from other sources and hold the Contractor responsible for any costs resulting in additional purchase and administrative services. This remedy shall be in addition to any other remedies that the Owner may have.
- 2.23. Failure to Enforce:** Failure by the Owner at any time to enforce the provisions of the contract shall not be construed as a waiver of any such provisions. Such failure to enforce shall not affect the validity of the contract or any part thereof or the right of the Owner to enforce any provision at any time in accordance with its terms.
- 2.24. Force Majeure:** The Contractor shall not be held responsible for failure to perform the duties and responsibilities imposed by the contract due to legal strikes, fires, riots, rebellions, and acts of God beyond the control of the Contractor, unless otherwise specified in the contract.
- 2.25. Independent Contractor:** The Contractor shall be legally considered an Independent Contractor and neither the Contractor nor its employees shall, under any circumstances, be considered servants or agents of the Owner. The Owner shall be at no time legally responsible for any negligence or other wrongdoing by the Contractor, its servants, or agents. The Owner shall not withhold from the contract payments to the Contractor any federal or state unemployment taxes, federal or state income taxes, Social Security Tax or any other amounts for benefits to the Contractor. Further, the Owner shall not provide to the Contractor any insurance coverage or other benefits, including Workers' Compensation, normally provided by the Owner for its employees.
- 2.26. Nonconforming Terms and Conditions:** A response that includes terms and conditions that do not conform to the terms and conditions of this Solicitation is subject to rejection as non-responsive. The Owner reserves the right to permit the Contractor to withdraw nonconforming terms and conditions from its response prior to a determination by the Owner of non-responsiveness based on the submission of nonconforming terms and conditions.
- 2.27. Ownership:** All plans, prints, designs, concepts, etc., shall become the property of the Owner.
- 2.28. Patents/Copyrights:** The Contractor agrees to protect the Owner from any claims involving infringements of patents and/or copyrights. In no event shall the Owner be

liable to the Contractor for any/all suits arising on the grounds of patent(s)/copyright(s) infringement. Patent/copyright infringement shall null and void any agreement resulting from response to this Solicitation.

- 2.29. Remedies:** The Contractor and Owner agree that both parties have all rights, duties, and remedies available as stated in the Uniform Commercial Code.
- 2.30. Venue:** Any agreement as a result of responding to this Solicitation shall be deemed to have been made in, and shall be construed and interpreted in accordance with, the laws of the City of Grand Junction, Mesa County, Colorado.
- 2.31. Expenses:** Expenses incurred in preparation, submission and presentation of this Solicitation are the responsibility of the company and cannot be charged to the Owner.
- 2.32. Sovereign Immunity:** The Owner specifically reserves its right to sovereign immunity pursuant to Colorado State Law as a defense to any action arising in conjunction to this agreement.
- 2.33. Non-Appropriation of Funds:** The contractual obligation of the Owner under this contract is contingent upon the availability of appropriated funds from this fiscal year budget as approved by the City Council or Board of County Commissioners from this fiscal year only. **State of Colorado Statutes prohibit obligation of public funds beyond the fiscal year for which the budget was approved.** Anticipated expenditures/obligations beyond the end of the current Owner's fiscal year budget shall be subject to budget approval. Any contract shall be subject to, and must contain, a governmental non-appropriation of funds clause.
- 2.34. Cooperative Purchasing:** Purchases as a result of this solicitation are primarily for the Owner. Other governmental entities may be extended the opportunity to utilize the resultant contract award with the agreement of the successful provider and the participating agencies. All participating entities shall be required to abide by the specifications, terms, conditions and pricings established in this Solicitation. The quantities furnished in this bid document are for only the Owner. It does not include quantities for any other jurisdiction. The Owner shall be responsible only for the award for its jurisdiction. Other participating entities shall place their own awards on their respective Contract/Purchase Orders through their Purchasing Office or use their Purchasing Card for purchase/payment as authorized or agreed upon between the provider and the individual entity. The Owner accepts no liability for payment of orders placed by other participating jurisdictions that choose to piggy-back on our solicitation. Orders placed by participating jurisdictions under the terms of this solicitation shall indicate their specific delivery and invoicing instructions.
- 2.35. Keep Jobs in Colorado Act:** Contractor shall be responsible for ensuring compliance with Article 17 of Title 8, Colorado Revised Statutes requiring 80% Colorado labor to be employed on public works projects. Contractor shall, upon reasonable notice provided by the Owner, permit the Owner to inspect documentation of identification and residency required by C.R.S. §8-17-101(2)(a). If Contractor claims it is entitled to a waiver pursuant to C.R.S. §8-17-101(1), Contractor shall state that there is insufficient Colorado labor to perform the work such that compliance with Article 17 would create an undue burden that would substantially prevent a project from proceeding to completion,

and shall include evidence demonstrating the insufficiency and undue burden in its response.

Unless expressly granted a waiver by the Owner pursuant to C.R.S. §8-17-101(1), Contractor shall be responsible for ensuring compliance with Article 17 of Title 8, Colorado Revised Statutes requiring 80% Colorado labor to be employed on public works. Contractor shall, upon reasonable notice provided by the Owner, permit the Owner to inspect documentation of identification and residency required by C.R.S. §8-17-101(2)(a).

2.35.1. "Public Works Project" is defined as:

- (a) any construction, alteration, repair, demolition, or improvement of any land, building, structure, facility, road, highway, bridge, or other public improvement suitable for and intended for use in the promotion of the public health, welfare, or safety and any maintenance programs for the upkeep of such projects
- (b) for which appropriate or expenditure of moneys may be reasonably expected to be \$500,000.00 or more in the aggregate for any fiscal year
- (c) except any project that receives federal moneys.

2.36. Definitions:

2.36.1. The term "Work" includes all labor, materials, equipment, and/or services necessary to produce the requirements of the Contract Documents.

2.36.2. "Contractor" is the person or organization identified as such in the Agreement and is referred to throughout the Contract Documents. The term Contractor means the Contractor or his authorized representative. The Contractor shall carefully study and compare the General Contract Conditions of the Contract, Specification and Drawings, Scope of Work, Addenda and Modifications and shall at once report to the Owner any error, inconsistency or omission he may discover. Contractor shall not be liable to the Owner for any damage resulting from such errors, inconsistencies or omissions. The Contractor shall not commence work without clarifying Drawings, Specifications, or Interpretations.

2.36.3. "Sub-Contractor" is a person or organization who has a direct contract with the Contractor to perform any of the work at the site. The term sub-contractor is referred to throughout the contract documents and means a sub-contractor or his authorized representative.

3. Specifications and Special Conditions & Provisions

- 3.1. General:** The City of Grand Junction is accepting competitive bids, from qualified and interested companies, to supply and deliver materials **that meet the specifications listed in Section 3 “Specifications and Special Conditions” and Appendix B.**

No installation is required for this purchase. This is a products/materials purchase only.

Delivery costs of the product to the Persigo Wastewater Treatment Plant must be included in the bid price.

- 3.2. Specifications:** See attached Appendix A:
Section 26 05 00 for Product Specifications:
- 2.07 Panelboards
- 2.08 Transformers
Section 26 24 19 for Motor Control Centers
Section 26 32 13 for Diesel Generator Assemblies
Section 26 36 23 for Automatic Transfer Switches

3.3. Special Conditions & Provisions:

3.3.1 Materials Specifications Sheet: Bidders shall supply materials specifications sheets and MSDS (Material Safety Data Sheets) for all products proposed for bid, with their bid submittals.

3.3.2 Rejection of Products/Supplies: The City of Grand Junction reserves the right to return products/supplies due to product flaws and/or not meeting specifications. Judgment of non-conformity will be at the discretion of the City of Grand Junction Project Manager or representative of the City.

3.3.3 Delivery Schedule: Deliveries may begin by August 31, 2021, and full delivery must be completed by December 15, 2021.

Lead times for major components such as Diesel Generator Set and Switchgear shall be noted in bid responses.

3.3.4 Delivery Location: The order of materials shall be delivered to Persigo Wastewater Treatment Plant located at 2145 River Road, Grand Junction, CO 81505 ****Please call before delivery to verify proper location of material drop. **** Larry Brown, Persigo Maintenance Manager 970-256-4168 or Kirsten Armbruster, Project Engineer 970-244-1421.

3.3.5 Price: Pricing shall be all inclusive, to include, but not be limited to: materials, shipping/freight, etc.

All prices shall be “F.O.B. Destination Freight Pre-Paid and Allowed”. The Owner shall not pay nor be liable for any other additional costs including but not limited to: taxes, shipping charges, insurance, interest, penalties, termination payments, attorney fees, liquidated damages, etc.

3.3.6 Estimated Quantities: The quantities indicated in this Invitation for Bid are estimates indicating single order amounts.

3.3.7 Minimum Order Quantities: The bidder shall not establish a minimum order quantity for items under contract.

3.3.8 Contract: A binding contract shall consist of: (1) the IFB and any amendments thereto, (2) the bidder's response (bid) to the IFB, (3) clarification of the bid, if any, and (4) the City's Purchasing Department's acceptance of the bid by "Notice of Award" or by "Purchase Order". All Exhibits and Attachments included in the IFB shall be incorporated into the contract by reference.

A. The contract expresses the complete agreement of the parties and, performance shall be governed solely by the specifications and requirements contained therein.

B. Any change to the contract, whether by modification and/or supplementation, must be accomplished by a formal contract amendment signed and approved by and between the duly authorized representative of the bidder and the City Purchasing Division or by a modified Purchase Order prior to the effective date of such modification. The bidder expressly and explicitly understands and agrees that no other method and/or no other document, including acts and oral communications by or from any person, shall be used or construed as an amendment or modification to the contract.

3.3.9 Packing Slips or Delivery Tickets: All shipments or deliveries shall be accompanied by Packing Slips or Delivery Tickets, and shall contain the following information for each item delivered:

- The purchase order number
- The name of the article and stock number
- The quantity ordered
- The quantity shipped
- The quantity back ordered
- The name of the vendor(s)

3.3.10 Brand Name or Equal: Whenever in this bid invitation any particular materials, process, mechanism, and/or equipment are indicated, described or specified by patent, proprietary, or brand name, or by name of manufacturer, such wording will be deemed to be used for the purpose of facilitating minimum acceptable requirements and will be deemed to be followed by the words, "or equal". Proof satisfactory to the Owner must be provided by Bidder to show that the alternative product/equipment/vehicle is in fact, equal to specification requirements.

The Owner has determined that the brand name, model name/numbers meets the specifications as stated in the solicitation documents. These manufacturer's references are not intended to be restrictive but descriptive of the type and quality the Owner desires to purchase. Bids for similar manufactured items of like quality will be considered if the bid is fully noted with the manufacturer's brand name and model. The Owner reserves the right to determine products of equal value. Bidders will not be allowed to make unauthorized substitutions after award is made.

3.4. Attachments:

Appendix A: Project Specific Specifications

Appendix B: Construction Drawings

3.5. Contractor Bid Documents: For Contractor's convenience, the following is a list of forms/items to be submitted with the Contractor's bid response. However, should a form/item not be listed in this section, but required in the solicitation documents, it is the Contractor's responsibility to ensure all forms/items are submitted.

- **Contractor's Bid Form**

- **Price Bid Schedule**

- **Materials Specifications Sheets**

- **Proposed Delivery Schedule and description of lead times**

3.6. IFB Tentative Time Schedule:

- Invitation for Bids available on or about May 14, 2021
- Inquiry deadline, no questions after this date June 14, 2021
- Addendum Posted June 18, 2021
- Submittal deadline for proposals prior to 2:30 P.M. June 29, 2021
- City Council Approval, if required July 21, 2021
- Contract execution July 23, 2021

3.7. Questions Regarding Scope of Services:

Susan Hyatt, Senior Buyer

susanh@gjcity.org

4. Contractor's Bid Form

Bid Date: _____

Project: **IFB-4915-21-SH "Electrical Equipment Purchase – Persigo Wastewater Treatment Plant Improvements"**

Bidding Company: _____

Name of Authorized Agent: _____

Email _____

Telephone _____ Address _____

City _____ State _____ Zip _____

The undersigned Bidder, in compliance with the Invitation for Bids, having examined the Instruction to Bidders, General Contract Conditions, Statement of Work, Specifications, and any and all Addenda thereto, having investigated the location of, and conditions affecting the proposed work, hereby proposes to furnish all labor, materials and supplies, and to perform all work for the Project in accordance with Contract Documents, within the time set forth and at the prices stated below. These prices are to cover all expenses incurred in performing the work required under the Contract Documents, of which this Contractor's Bid Form is a part.

The undersigned Contractor does hereby declare and stipulate that this offer is made in good faith without collusion or connection to any person(s) providing an offer for the same work, and that it is made in pursuance of, and subject to, all terms and conditions of the Instructions to Bidders, the Specifications, and all other Solicitation Documents, all of which have been examined by the undersigned.

The Contractor also agrees that if awarded the Contract, to provide insurance certificates within ten (10) working days of the date of Notification of Award. Submittal of this offer will be taken by the Owner as a binding covenant that the Contractor will be prepared to complete the project in its entirety.

The Owner reserves the right to make the award on the basis of the offer deemed most favorable, to waive any formalities or technicalities and to reject any or all offers. It is further agreed that this offer may not be withdrawn for a period of sixty (60) calendar days after closing time. Submission of clarifications and revised offers automatically establish a new thirty day (30) period.

Prices in the bid proposal have not knowingly been disclosed with another provider and will not be prior to award.

- Prices in this bid proposal have been arrived at independently, without consultation, communication or agreement for the purpose of restricting competition.
- No attempt has been made nor will be to induce any other person or firm to submit a bid proposal for the purpose of restricting competition.
- The individual signing this bid proposal certifies they are a legal agent of the offeror, authorized to represent the offeror and is legally responsible for the offer with regard to supporting documentation and prices provided.
- Direct purchases by the City of Grand Junction are tax exempt from Colorado Sales or Use Tax. Tax exempt No. 98-903544. The undersigned certifies that no Federal, State, County or Municipal tax will be added to the above quoted prices.
- City of Grand Junction payment terms shall be Net 30 days.
- Prompt payment discount of _____ percent of the net dollar will be offered to the Owner if the invoice is paid within _____ days after the receipt of the invoice. The Owner reserves the right to take into account any such discounts when determining the bid award.

RECEIPT OF ADDENDA: the undersigned Contractor acknowledges receipt of Addenda to the Solicitation, Specifications, and other Contract Documents.

State number of Addenda received: _____.

It is the responsibility of the Bidder to ensure all Addenda have been received and acknowledged.
By signing below, the Undersigned agree to comply with all terms and conditions contained herein.

Company: _____

Authorized Signature: _____

Title: _____

Bid Schedule: Electrical Equipment Purchase - Persigo WWTP Electrical Improvements

Item No.	Description	Quantity	Units	Unit Price	Total Price
1	Diesel Generator Set (Cummins Onan)	1.	EA	\$ _____	\$ _____
2	Automatic Transfer Switch (Cummins)	1.	EA	\$ _____	\$ _____
3	Transformer (Siemens)	1.	EA	\$ _____	\$ _____
4	Panelboard (HP-11) (Siemens)	1.	EA	\$ _____	\$ _____
5	Panelboard (LP-11) (Siemens)	1.	EA	\$ _____	\$ _____
6	MCC-11 Switchgear (Siemens)	1.	LS	\$ _____	\$ _____
7	MCC-3 Switchgear (Siemens)	1.	LS	\$ _____	\$ _____
Bid Amount:				\$	_____

Bid Amount:

dollars

(Written)

Appendix A - Persigo WWTP Electrical Improvements

Persigo WWTP - Electrical Improvements - Materials Procurement			
Item	Make	Model	Specs
Diesel Generator Set	Cummins Power Generation		Power Output Ratings for the Plant Water Generator: Electrical output power rating for Standby operation not less than 500kW, at 80 percent lagging power factor, 277/480, Series Wye, phase, 4 -wire, 60 hertz. Alternator shall be capable of accepting maximum 350 kVA in a single step and be capable of recovering to a minimum of 90% of rated no load voltage. Following the application of the specified kVA load at near zero power factor applied to the generator set.
Automatic Transfer Switch	Cummins Power Generation		The transfer switch shall be rated 600 VAC, 400 ampere, 3 pole, 65 kaic, and enclosure shall be indoor rated NEMA Type 1. Refer to the project drawings for additional information. Main contacts shall be rated for 600 VAC minimum. Transfer switches shall be rated to carry 100% of rated current continuously in the enclosure supplied, in ambient temperatures of -40 to +60 degrees C (-40 to +140 degrees F), relative humidity up to 95% (non-condensing), and altitudes up to 10,000 feet (3000 meters).
Transformer	Siemens	See Note 1	15 kVA
Panel Board (HP-11)	Siemens	See Note 1	277/480V, three-phase, 60Hz
Panel Board (LP-11)	Siemens	See Note 1	120/208V, three-phase, 60Hz
MCC-11	Siemens	See Note 1	The motor-control center shall be 600-volt class suitable for operation on a three-phase, 60Hz system. The system operating voltage and number of wires shall be as indicated on the drawings. The motor-control center shall be service entrance rated. All new motor control centers shall be furnished with integral SPD devices.
MCC-3	Siemens	See Note 1	

Note 1: See the following pages for a detailed description of the MCC Switchgear, Panelboards and Transformer.

Appendix A - Electrical Equipment Purchase – Persigo Wastewater Treatment Plant Improvements

Line #:	Qty	Description
20000	1	VFD MCC—MCC-3 VFD MCC, TIASTAR, 20 (Front Only), Circuit Breaker, 480Y/277 3Ø4W AC, 60 Hz, 65,000, 1 - Indoor (Std), 800, Tin, Copper, I (Std. Unit Diagrams Only), Bd (Unit control tb). 1 - SECTION 1 - Encl. 20IN D Front Only 20IN W 1 - Type 1 Enclosure 1 - 800A Tin Plated H. Bus Copper 1 - 65,000A Bus Bracing 1 - 600A Tin Plated V. Bus 1 - Neut. Bus, 600A Tin Plated 1 - 300A Unplated Horizontal Ground Bus Copper 1 - Ground Lug, (1)6-300Kcmil 1 - 800A Main Lug Only. 1 - MLO 800A, Top 6 - 250AF 225AT HFD6 FCB. 1 - FCB, 225A Max, HFD6 Trip Amperage 225 1 - CPT 50VA 1 Sec. 2 Pri. Fuses Std. Cap. 1 - Pull-Apart Control Terminals 1 - Height 18 Width 16 Depth 8.347 1 - Pilot Light, GREEN, OFF, GG 1 - Pilot Light, 22mm Green 1 - Legend = OFF 1 - Led Bulb 1 - Pilot Light, RED, RUNNING, R 1 - Pilot Light, 22mm Red 1 - Legend = RUNNING 1 - Led Bulb 1 - Pilot Light, AMBER, OL TRIPPED, A 1 - Pilot Light, 22mm Amber 1 - Legend = OL TRIPPED 1 - Led Bulb 1 - Elapsed Time Meter, E 1 - Elapsed Time Meter in Device Panel 2 - 6 X 16 SPACE. 1 - Prepared Space Height 6 1 - Height 6 Width 16 Depth 8.347 1 - SECTION 1 - Encl. 20IN D Front Only 20IN W 1 - Type 1 Enclosure 1 - 800A Tin Plated H. Bus Copper 1 - 65,000A Bus Bracing 1 - 600A Tin Plated V. Bus 1 - 300A Unplated Horizontal Ground Bus Copper 1 - 125AF 30AT LG FCB. 1 - FCB, LGG Trip Amperage 30 1 - Height 12 Width 16 Depth 8.347

Appendix A - Electrical Equipment Purchase – Persigo Wastewater Treatment Plant Improvements

Line #:	Qty	Description
21000	1	<p>MCC-11--MCC MCC-11, TIASTAR, 20 (Front Only), Circuit Breaker, 480Y/277 3Ø4W AC, 60 Hz, 65,000, 1 - Indoor (Std), 600, Tin, Copper, I (Std. Unit Diagrams Only), Bd (Unit control tb).</p> <p>1 - SECTION</p> <ul style="list-style-type: none"> 1 - Encl. 20IN D Front Only 20IN W 1 - Type 1 Enclosure 1 - 600A Tin Plated H. Bus Copper 1 - 65,000A Bus Bracing 1 - 600A Tin Plated V. Bus 1 - Neut. Bus, 600A Tin Plated 1 - 300A Unplated Horizontal Ground Bus Copper 1 - Ground Lug, (1)6-300Kcmil <p>1 - 400AF 400AT HJD6 MCB.</p> <ul style="list-style-type: none"> 1 - MCB, 400A Max, HJD HJD6 Trip Amperage 400 <p>1 - 125AF 30AT LG FCB.</p> <ul style="list-style-type: none"> 1 - FCB, LGG Trip Amperage 30 1 - 6IN Extra Unit Space 1 - SPD, 300KA With Surge Counter 1 - Height 18 Width 16 Depth 8.347 <p>1 - METER UNIT.</p> <ul style="list-style-type: none"> 1 - Meter Unit Base Price 1 - Height 18 Width 16 Depth 8.347 1 - DIGITAL, POWER METER, PAC3200, M26 <ul style="list-style-type: none"> 1 - PAC3200 Meter Compression Terminals 3 - CT For Local Meter 400:5 3 - PT For Local Meter Line Voltage 480 <p>8 - FVNR, CB, SZ 2, 20HP.</p> <ul style="list-style-type: none"> 1 - FVNR Size 2, CB 20 HP 1 - INNOVA Contactor Type 1 - ESP200 Overload 1 - CPT 50VA 1 Sec. 2 Pri. Fuses Std. Cap. 1 - Pull-Apart Control Terminals 1 - Height 12 Width 16 Depth 8.347 1 - Push Button, BLACK, START, S <ul style="list-style-type: none"> 1 - Push Button, 22mm, Black Flush 1 - Legend = START 1 - Push Button, RED, STOP, P <ul style="list-style-type: none"> 1 - Push Button, 22mm, Red Extended 1 - Legend = STOP 1 - Pilot Light, GREEN, OFF, GG <ul style="list-style-type: none"> 1 - Pilot Light, 22mm Green 1 - Legend = OFF 1 - Led Bulb

Appendix A - Electrical Equipment Purchase – Persigo Wastewater Treatment Plant Improvements

Line #:	Qty	Description
	1	- Pilot Light, RED, RUNNING, R
	1	- Pilot Light, 22mm Red
	1	- Legend = RUNNING
	1	- Led Bulb
	1	- Pilot Light, AMBER, OL TRIPPED, A
	1	- Pilot Light, 22mm Amber
	1	- Legend = OL TRIPPED
	1	- Led Bulb
	1	- Selector Switch, HAND OFF AUTO, H
	1	- 3 Position Selector Switch, 22mm
	1	- Legend = HAND OFF AUTO
	1	- Push Button, BLACK, RESET, RE
	1	- Push Button, 22mm, Black Flush
	1	- Legend = RESET
	1	- Elapsed Time Meter, E
	1	- Elapsed Time Meter in Device Panel
1		- 6 X 16 SPACE.
	1	- Prepared Space Height 6
	1	- Height 6 Width 16 Depth 8.347
2		- SECTION
	1	- Encl. 20IN D Front Only 20IN W
	1	- Type 1 Enclosure
	1	- 600A Tin Plated H. Bus Copper
	1	- 65,000A Bus Bracing
	1	- 300A Tin Plated V. Bus
	1	- 300A Unplated Horizontal Ground Bus Copper
1		- FVNR, CB, SZ 1, 10HP.
	1	- FVNR Size 1, CB 10 HP
	1	- INNOVA Contactor Type
	1	- ESP200 Overload
	1	- CPT 50VA 1 Sec. 2 Pri. Fuses Std. Cap.
	1	- Pull-Apart Control Terminals
	1	- Height 12 Width 16 Depth 8.347
	1	- Push Button, BLACK, START, S
	1	- Push Button, 22mm, Black Flush
	1	- Legend = START
	1	- Push Button, RED, STOP, P
	1	- Push Button, 22mm, Red Extended
	1	- Legend = STOP
	1	- Pilot Light, GREEN, OFF, GG
	1	- Pilot Light, 22mm Green
	1	- Legend = OFF
	1	- Led Bulb
	1	- Pilot Light, RED, RUNNING, R
	1	- Pilot Light, 22mm Red
	1	- Legend = RUNNING
	1	- Led Bulb

Appendix A - Electrical Equipment Purchase – Persigo Wastewater Treatment Plant Improvements

Line #:	Qty	Description
		1 - Pilot Light, AMBER, OL TRIPPED, A
		1 - Pilot Light, 22mm Amber
		1 - Legend = OL TRIPPED
		1 - Led Bulb
		1 - Selector Switch, HAND OFF AUTO, H
		1 - 3 Position Selector Switch, 22mm
		1 - Legend = HAND OFF AUTO
		1 - Push Button, BLACK, RESET, RE
		1 - Push Button, 22mm, Black Flush
		1 - Legend = RESET
		1 - Elapsed Time Meter, E
		1 - Elapsed Time Meter in Device Panel
		1 - 125AF 60AT LG FCB.
		1 - FCB, LGG Trip Amperage60
		1 - Height 12 Width 16 Depth 8.347
		1 - 125AF 50AT LG FCB.
		1 - FCB, LGG Trip Amperage50
		1 - Height 12 Width 16 Depth 8.347
		1 - 125AF 30AT LG FCB.
		1 - FCB, LGG Trip Amperage30
		1 - Height 12 Width 16 Depth 8.347
		1 - 125AF 125AT LG FCB.
		1 - FCB, LGG Trip Amperage 125
		1 - Height 12 Width 16 Depth 8.347
23000	1	HP11--PANELBOARD P1
		1 - SECTION
		P1E30ML125CTST, System Voltage: 480Y/277 3Ø 4W Wye AC, IR @ 42,000 AIC, Top Feed, Surface Mount, Bus Rating: 250A, Bus Material: Copper, Plating: Tin, NEMA 1 INDOOR.
		1 - INTERIOR W/ 125A MAIN LUG
		1 - Subfeed/Feedthru Provision
		1 - AL/CU Main Lug
		1 - Gnd Conn-Shipped w/Interior
		1 - Std Al/Cu Gnd Connector
		1 - Certification -UL
		1 - 250A 100% Neutral 30CirAL
		6 - GB PROVISION
		4 - 30A /3P-3VA41-HEAB
		1 - 3VA Mechanical (1)#14-3/0 AL Lug
		1 - Catalog #: 3VA41306ED340AA0
		12 - 20A /1P-3VA41-HEAB
		1 - 3VA Mechanical (1)#14-3/0 AL Lug
		1 - Catalog #: 3VA41206ED140AA0
		Enclosure, Catalog Number B38
		1 - 20W TYPE 1 BOX W/O GROUND BUS, 38H X 20W
		Front, Catalog Number S38B
		1 - FAS-LATCH FRONT ASSY 20W 38H, SURFACE

Appendix A - Electrical Equipment Purchase – Persigo Wastewater Treatment Plant Improvements

- 24000** **1** **LP11--PANELBOARD P1**
1 - SECTION
P1C30BL060CTSN, System Voltage: 208Y/120 3Ø 4W Wye AC, IR @ 10,000 AIC, Top Feed, Surface Mount, Bus Rating: 250A, Bus Material: Copper, Plating: Tin, NEMA 1 INDOOR.
1 - INTERIOR W/ 60A /3P-BL MAIN BREAKER
1 - Gnd Conn-Shipped w/Interior
1 - Std Al/Cu Gnd Connector
1 - 250A 100% Neutral 30CirAL
1 - RP1 3 Phase Main Kit BL/BQD
1 - Certification -UL
1 - Catalog #:B360
11 - BL/BQD PROVISION
1 - 20A /2P-BL
1 - Catalog #:B220
17 - 20A /1P-BL
1 - Catalog #:B120
Enclosure, Catalog Number B32
1 - 20W TYPE 1 BOX W/O GROUND BUS, 32H X 20W
Front, Catalog Number S32B
1 - FAS-LATCH FRONT ASSY 20W 32H, SURFACE
- 1000** **1** **15KVA TX--3F3RXXXC -15KVA SERIES J ENCAP CU**
Standard Dry Type, 3 Phase, 15 KVA, 480 Primary Voltage, 208Y/120 Secondary Voltage, Transformer Core: Copper-Wound, 2-5% FCBN Taps, 115C, Encapsulated, Copper Windings (C), Wall Bracket Kit: PROVIDED.
Catalog No.: A6X1082765

SECTION 26 05 00

ELECTRICAL

PART 1 - GENERAL

1.01. RELATED DOCUMENTS

- A. Drawings and general provisions of the Contract, including General and Supplementary Conditions and Division 01 Sections "General Requirements", apply to this Section.

1.02. SUMMARY

- A. This Section includes the following:
 - 1. Raceways.
 - 2. Cables.
 - 3. Cable Tray
 - 4. Supporting devices for electrical components.
 - 5. Electrical identification.
 - 6. Wiring Devices.
 - 7. Enclosures
 - 8. Control Devices
 - 9. Panelboards
 - 10. Transformers
 - 11. Disconnect Switches.
 - 12. Surge Protective Device (SPD)
 - 13. Grounding
 - 14. Cutting and patching for electrical construction.
 - 15. Touchup painting.

1.03. DEFINITIONS

- A. EMT: Electrical metallic tubing.
- B. PVC-RGS: PVC-Coated Rigid Galvanized Steel Conduit.
- C. RGS: Rigid Galvanized Steel Conduit.
- D. LFMC: Liquidtight flexible metal conduit.
- E. RNC: Rigid nonmetallic conduit.

1.04. SUBMITTALS

- A. Full fabrication and installation drawings, complete with engineering data including but not limited to: materials, devices, parts, and accessories shall be submitted for review.
- B. Contractor shall be responsible for submitting complete and accurate drawings, data, operating manuals, test reports, and samples for all equipment provided and installed as part of this contract. All materials and equipment shall be submitted to the Engineer for approval prior to ordering. Submittals shall be sufficient, in the opinion of the Engineer, to determine compliance with the plans and specifications.
- C. Submittal data shall be presented in a clear, precise, and thorough manner. The Contractor's submittals shall be bound in an appropriately sized 3-ring binder, tabbed by specification section with arrows and circles clearly identifying relevant products. Non-pertinent data shall be deleted or crossed out.
- D. Contractor shall provide electrical as-built drawings displaying all equipment, assembly drawings, control wiring diagrams, instruments, cable, and conduit as installed.

1.05. QUALITY ASSURANCE

- A. Electrical Components, Devices, and Accessories: Listed and labeled as defined in NFPA 70, Article 100, by a testing agency acceptable to authorities having jurisdiction, and marked for intended use.
- B. Comply with NFPA 70 and the following standards where appropriate:
 - 1. ANSI American National Standards Institute
 - 2. ASTM American Society for Testing and Materials.
 - 3. AWG American Wire Gauge.
 - 4. ICEA Insulated Cable Engineers Association

5. IEEE Institute of Electrical and Electronic Engineers
6. IESNA Illuminating Engineering society of North America
7. NEISA National Electrical Installation Standards.
8. NEMA National Electrical Manufacturers Association
9. NFPA National Fire Protection Association
10. UL Underwriters' Laboratories.

1.06. COORDINATION

A. Coordinate chases, slots, inserts, sleeves, and openings with general construction work and arrange in building structure during progress of construction to facilitate the electrical installations that follow.

1. Set inserts and sleeves in poured-in-place concrete, masonry work, and other structural components as they are constructed.
2. Sequence, coordinate, and integrate installing electrical materials and equipment for efficient flow of the work. Coordinate installing large equipment requiring positioning before closing in the building.
3. Contractor shall consult the local electric utility regarding their service installation requirements; installation of the service equipment shall be in compliance with these requirements. Contractor shall be responsible for installing all service equipment components except as installed by the utility as directed in the utility service installation requirements. Contact information for the electric utility is as follows:

Name of electric utility Xcel Energy

4. Contractor shall coordinate activities and timing of service entrance installation with the utility. Contractor shall complete and submit service applications to the electric utility as necessary.
5. It is recognized that the Drawings are diagrammatic in showing certain physical relationships that must be established within the electrical work, and in its interface with other work including utilities and mechanical work, and that such establishment is the exclusive responsibility of the Contractor.

PART 2 - MATERIALS

2.01. RACEWAYS

- A. EMT: ANSI C80.3, zinc-coated steel, with set-screw or compression fittings.
- B. PVC-Coated Rigid Galvanized Steel Conduit
- C. (PVC-RGS): Rigid Steel conduit with 40 mils PVC coating. OCAL, PERMA-COAT, RoBroY or approved equal.
- D. RGS: ANSI C80.1, Heavy wall, hotdip galvanized, manufactured in accordance with UL 6.
- E. LFMC: Zinc-coated steel with sunlight-resistant and mineral-oil-resistant plastic jacket.
- F. RNC: NEMA TC 2, Schedule 40 PVC, with NEMA TC3 fittings.
- G. Raceway Fittings: Specifically designed for the raceway type with which used.

2.02. CABLES

- A. All cables of each type shall be from the same manufacturer.
- B. Lighting & Receptacle Cable: Lighting & Receptacle cable shall be provided only in lighting and receptacle circuits. Lighting cable shall have THHN-THWN insulation with nylon jacket. Cable shall meet the construction requirements of NEMA WC 70 (ICEA S-95-658) and UL 6 standards with a maximum operating temperature of 90°C dry, 75°C wet.
- C. Conductors 12 AWG and smaller shall be solid. Conductors 10 AWG and larger shall be stranded.
- D. Low Voltage Power Cable: Cable in power circuits operating at 600 volts or less, shall be 600 volt XHHW-2. Cable shall meet the construction requirements of NEMA WC 70 (ICEA S-95-658) with a maximum operating temperature of 90°C wet/dry. Insulation shall be cross-linked thermosetting polyethylene, conforming to ICEA S-95-658, paragraph 3.6.
- E. Signaling & Control Cable: Cable for instrumentation, metering, and other signalling and control equipment shall be two- or three-conductor instrument cable twisted for magnetic noise rejection and protected from electrostatic noise by a total coverage shield. Cables shall be 16 AWG, 7 strand, concentric lay, uncoated copper with a maximum operating temperature of 90°C dry, 75°C wet. Cable shall be either twisted pair or triad with 1-1/2 inch to 2-1/2 inch lay.
 - 1. Insulation: Polyvinyl Chloride
 - 2. Shield: 7-strand, 20AWG, tinned copper

- 3. Conductor Jacket: Nylon, UL 62
- 4. Cable Assembly: Flame retardant polyvinyl chloride, UL 1277

Insulated conductors shall meet the requirements of UL 62 for type TFN. Jacket shall meet the requirements of UL 1227.

- F. VFD Cable: VFD cable shall have XLPE insulated conductors and black (sun and oil resistant) PVC jacket and have the following characteristics:
 - 1. Cables shall be rated for 2000V.
 - 2. Shall be UL 1277 Listed.
 - 3. Shall be Type TC-ER
 - 4. Have an operating temperature range of -40 degrees C to +90 degrees C
 - 5. Cables less than 1 AWG shall be 4-conductor (3) stranded tinned copper circuit conductors plus (1) ground wire with a tinned copper braid shield (85% coverage) and a tinned copper drain wire
 - 6. Cables over 1 AWG shall be 3 stranded tinned copper circuit conductors plus (3) symmetrical bare copper wires, two spiral copper tape shields (100% coverage).
 - 7. Manufacturer shall be Southwire, Belden, or equal.
 - 8. Contractor shall be responsible for ensuring conduit sizing is adequate for the submitted VFD cable.
- G. Multiconductor Control Cable: Cable for control, indication, and alarm circuits as indicated on the drawings as multiconductor shall be 14 AWG, concentric lay, uncoated copper with type THHW/THWN insulation with a maximum operating temperature of 90°C dry, 75°C wet. Cable shall meet the requirements of UL 83, UL 1277, and ICEA S-58-679. The cable assembly jacket shall be flame-retardant polyvinyl chloride applied over a tape-wrapped cable core.
- H. Multiconductor Power Cable: Cable for power as indicated on the drawings as multiconductor shall be concentric lay, uncoated copper, strand class B with type XHHW/XLP insulation with a maximum operating temperature of 90°C dry, 75°C wet. Cable shall meet the requirements of UL 1277, and ICEA S-95-658. The cable assembly jacket shall be flame-retardant polyvinyl chloride applied over a tape-wrapped cable core.
- I. Tray Cable: Cable for power & controls shall conform to UL standards for Type TC power & control tray cables.
- J. Ethernet Unshielded Twisted Pair (UTP) Cable. Ethernet cables and connectors shall be provided for a complete and working system, and/or as shown on the Drawings. Cable for Ethernet wiring shall be UTP Cat-6 cable.

1. Category 6 UTP Cable shall meet the following requirements:
 - a. 24 AWG
 - b. 4 pair solid strand FEP Teflon insulation
 - c. 100 Ohm impedance
 - d. 1-250 MHz frequency range
 - e. Min attenuation 19.9 Db
 - f. 100 Ohm impedance
 - g. Min NEXT 44.3dB/100MHz
 - h. Min PS-NEXT 42.3dB/100MHz
 - i. Min ELFEXT 27.8dB/100MHz
 - j. Min PS-ELFEXT 24.8dB/100MHz
 - k. Min return loss 20.1 dB/100 MHz
 - l. Max delay skew 45 ns
 - m. Max propagation delay 540 ns
 - n. Plenum rated cable shall have FEP insulation jacketing and FEP insulation for conductors. Nonplenum rated cable shall have PVC insulation jacketing and polyethylene insulation for conductors. Cat-6 cable shall be Belden 1872 or equal.

K. Fiber-Optic Cables and Connectors

1. Cables: Factory fabricated, jacketed, low loss, glass type, fiber optic, multimode, graded index, operating at 850 and 1300 nm.
2. Dimensions: 62.5-micrometer core diameter, 125-micrometer cladding diameter.
3. Maximum Attenuation: Minus 3.75 dB/km at 850 nm; minus 1.5 dB/km at 1300 nm.
4. Minimum Modal Bandwidth: 160 MHz/km at 850 nm; 500 MHz/km at 1300 nm.
5. Operating Temperature Range: Minus 20 to plus 70 deg C.

6. Cable Connectors: Quick-connect, simplex- and duplex-type SC couplers with self-centering, axial alignment mechanisms. Insertion loss not more than 0.7 dB.

L. Coaxial Cable

1. Cables: Factory fabricated, jacketed, low loss, solid conductor, shielded, operating at 900Mhz.
2. Impedance: 50 Ohm.
3. Jacket: UV Resistant Polyethylene, rated for outdoor use.
4. Operating Temperature Range: Minus 20 to plus 70 deg C.
5. Cable Connectors: Connectors shall be coordinated with radio units and antenna.
6. Exact cable requirements shall be coordinated with antenna and radio equipment.

2.03. CABLE TRAY:

- A. Cable tray shall be by one manufacturer and shall consist of straight sections, fittings, and accessories per NEMA VE1-2006/CSA C22.2 No. 126.1-02. Cable tray must be listed by UL as equipment grounding conductor. There shall be no burrs, projections or sharp edges to damage the cable insulation.
- B. All siderails, and rungs shall be of extruded aluminum type 6063-T6. Siderails shall be of I-beam construction.
- C. Ladder tray shall incorporate two siderails connected by lateral rungs. Rungs shall provide minimum 1" bearing surface and have slots perpendicular to the centerline of the rung on 1" centers for attachment of cable ties.
- D. Rungs shall be at 9" spacing and not be below the bottom of the siderail.
- E. Siderail height shall be 6".
- F. All cable tray straight sections shall be supplied in 12' lengths.
- G. Cable tray shall be 24" or as indicated on the drawings.
- H. For all fittings requiring a radius, that radius shall be 12", 24", or 36" as required and shall be measured to the nearest perpendicular surface.
- I. Aluminum splice plates shall be designed to snap into tray siderail and shall be supplied with four square neck carriage bolts and hex nuts for attachment.

2.04. SUPPORT AND CHANNELS

- A. Slotted-Steel Channel Supports: Flange edges turned toward web, and 9/16-inch- (14-mm-) diameter slotted holes at a maximum of 2 inches (50 mm) o.c., in webs.
 - 1. Channel Thickness: 12 gauge minimum
 - 2. Mounting Hardware: 304 Stainless Steel
 - 3. Indoor Exposed Dry Locations: Hot Dipped Galvanized after fabrication
 - 4. Wash-down, Non-Corrosive: Hot Dipped Galvanized Steel after fabrication
 - 5. Exterior or Wet locations: 316 Stainless Steel
 - 6. Wash-down, Corrosive: 316 Stainless Steel

2.05. ELECTRICAL IDENTIFICATION

- A. Cable: Power, signal, and control circuits shall be identified at the point of termination with heat-shrink, tube type, pre-printed wire markers. Wire numbers shall be as indicated on the drawings and equipment manufacturer drawings.
- B. Conduit: Conduits shall be provided with type 316 stainless steel, laser etched conduit tags. Tags shall be permanently fastened with stainless steel straps. Conduit identification as indicated on the drawings.
- C. Equipment: Equipment including panels, control stations, disconnect switches, starters, and breakers shall be provided with 316 stainless steel, laser etched identification tags. Equipment identification as indicated on the drawings.
- D. Underground Warning Tape: Permanent, bright-colored, continuous-printed, vinyl tape with the following features:
 - 1. Not less than 6 inches wide by 4 mils thick (150 mm wide by 0.102 mm thick).
 - 2. Compounded for permanent direct-burial service.
 - 3. Embedded continuous metallic strip or core.
- E. Fasteners for Nameplates and Signs: Self-tapping, stainless-steel screws or No. 10/32 stainless-steel machine screws with nuts and flat and lock washers.

2.06. WIRING DEVICES

1. Receptacles

- a. Convenience Receptacles shall be duplex face, 125 Volt, 20 Amp. Hubbell "5362I", Leviton "5362-I" or approved equal for non-hazardous locations and Emerson "EFS" or approved equal for hazardous locations.
- b. In floor receptacles shall have a PVC floor box with 2-1-1/2" hubs for low voltage and 2-1" hubs for power. The box dimensions shall be no less than 5" diameter and 6" height. The box shall include reducers and closure plugs. The cover assembly shall meet UL514A and UL514C and be of aluminum construction and color. Sub plates shall allow for a minimum of 2-120V receptacles and two data ports. Manufacturer shall be HUBBELL or equal.
- c. Ground Fault Circuit Interrupter (GFCI) shall be duplex face, 125 Volt, 20 Amp. Hubbell "GF5362I", Leviton "N7899-I" or approved equal.

2. Device Plates

- a. Surface-Mounted | Non-Weatherproof: Galvanized or cadmium-plated
- b. Flush-Mounted | Non-Weatherproof: AISI Type 302 stainless steel, Hubbell "S series" or Leviton "8400 40 series"; nylon or polycarbonate, Hubbell "NP series", or Leviton "807nn I series".
- c. Device plate mounting hardware shall be countersunk and finished to match the plate.
- d. Switches | Weatherproof: Appleton "FSK 1VS", Crouse Hinds "DS185" or O Z Gedney "FS 1 WSCA".
- e. Receptacles | Weatherproof: Appleton "FSK WRD", Crouse Hinds "WLRD1", or O Z Gedney "FS 1 WDCA".
- f. Flush-mounted, weatherproof plates shall be provided with adapter plates, Appleton "FSK-SBA" or Crouse-Hinds "FS031".
- g. GFCI | Weatherproof: Appleton "FSK WGFI" or O Z Gedney "FS 1 GFCA".
- h. Weatherproof, in-use, receptacle covers shall be die cast aluminum. Covers for standard convenience outlets shall be Hubbell "WP8M" or Thomas and Betts Red Dot "CKMUV". Covers for ground fault interrupter receptacles shall be Hubbell "WP26M" or Thomas and Betts Red Dot "CKMUV".

2.07. PANELBOARDS

- A. Totally enclose power-distribution and lighting panelboards in a steel cabinet, dead-front circuit breaker type with copper buses. Surface mounted as indicated on drawings.
- B. Ensure panelboards conform to NEMA PB-1 and UL 489. Provide branch circuit panels with buses fabricated for bolt-on type circuit breakers.
- C. Provide four-wire distribution and lighting panelboards with an isolated full-capacity neutral bus.
- D. Panelboards to be rated for one of the following:
 - 1. 120/208V, three-phase, 60Hz
 - 2. 277/480V three-phase, 60Hz
- E. Provide panelboards with a separate grounding bus bonded to the enclosure. Ensure grounding bus is a solid bus bar of rectangular cross section equipped with binding screws.
- F. Ensure each panelboard, as a unit, has a short-circuit current rating equal to or greater than the integrated equipment rating shown on the panelboard schedule.
- G. Panelboards shall be rated NEMA Type 1, Type 3R, or Type 4X as indicated on drawings.
- H. Finish panelboards with baked enamel. Finish color shall be No. 61 gray.
- I. Provide an outer door cover, hinged on one side on surface mounted panelboards to provide gutter space access. Provide a center door for circuit breaker/switch access only.

2.08. TRANSFORMERS

- A. Provide dry type, enclosed and ventilated transformers as indicated:
- B. Transformers shall be designed, constructed and rated in accordance with UL, CSA, NEMA, ANSI, IEEE, and OSHA standards.
- C. Transformers rated 15 KVA and larger, single and three phase shall be ventilated type, incorporating a 220 degree C insulation system and designed not to exceed 150 degree C temperature rise above a 40 degree C ambient under full load conditions.
- D. Transformers shall be a 'Low Sound' designed transformers with average sound levels 3dB below NEMA ST-20 standards.

- E. Transformer enclosure shall be dry-type 600 volt class, KVA rating as indicated. Contractor to provide all necessary lugs for the transformer.
- F. Three phase transformers to terminate in copper bus bar.
- G. Transformers installed indoors shall be rated NEMA Type 1, transformer installed outdoors shall be rated NEMA 3R, with rain shield.
- H. Transformer enclosure finish must be ASA 61 gray powder polyurethane paint.
- I. Efficiency as specified in NEMA TP-1

2.09. SERVICE ENTRANCE | POWER

- A. Contractor shall contact the serving utility regarding their service entrance design and installation requirements. All service entrance equipment and installation practices shall be in compliance with these requirements.
- B. Service Entrance equipment including switchgear, disconnecting means, test cabinet, meter CT's, grounding materials and alike shall be provided by the contractor for a complete installation in accordance with the serving utilities requirements including all underground services.

2.10. ENCLOSURES

- A. Junction boxes, pull boxes, and wire troughs shall meet the requirements as follows:
 - 1. Indoor locations: Boxes shall be constructed of sheet steel, galvanized after fabrication, and rigidly supported by hot-dip galvanized hardware and framing materials, including nuts and bolts.
 - 2. Outdoor and corrosive locations: Boxes shall be NEMA Type 4X, stainless steel, rigidly supported by stainless steel framing materials. Mounting hardware including nuts, bolts, and anchors, shall be stainless steel.
 - 3. Hazardous locations: Boxes shall be NEMA Type 7, Rated for Class 1 Division 1 & 2 locations, cast stainless steel rigidly supported. Mounting hardware including nuts, bolts, and anchors, shall be stainless steel.
 - 4. All enclosure penetrations shall maintain enclosure NEMA rating.

2.11. CONTROL DEVICES

- A. The contractor shall furnish and install control devices as indicated on the schematics and one line diagrams and as specified herein. Control devices shall function as intended on the drawings.

1. Pilot Devices: 30.5 mm, heavy-duty, oiltight construction
2. Pilot Lights: Full voltage, type LED lamps
3. Indoor: NEMA type 4X 316 stainless steel enclosure
4. Outdoor: NEMA type 4X 316 stainless steel enclosure

2.12. DISCONNECT SWITCHES

- A. Unless otherwise indicated, disconnect switches shall be fusible, 600 volts, with current ratings as indicated on the drawings.
1. Indoor: NEMA type enclosure to match area designations as indicated on the drawings.
 2. Outdoor: NEMA type 3R/12, stainless steel
 3. Damp location: NEMA type 3R/12, stainless steel
 4. Caustic Areas: NEMA type 4X enclosure, molded reinforced polyester
 5. Hazardous locations : NEMA type 7 enclosure, cast stainless steel.
 6. Quick-make/quick-break mechanism
 7. Horsepower rated
 8. Pad lockable in "off" position
 9. Switch position clearly marked
 10. Defeatable door interlock
 11. Switches shall be UL listed and meet the latest edition of NEMA KS1.

2.13. SURGE PROTECTIVE DEVICE (SPD)

- A. SPD devices shall be furnished and installed for the electrical equipment as indicated on the drawings. All new lighting and power panels shall be furnished with integral SPD devices.
- B. SPD shall be as standard product of a manufacturer regularly engaged in the production of SPD devices and shall be the manufacturer's latest approved design.
- C. Common Mode SPDs shall not be utilized. Common Mode SPDs may fail in a short circuit condition. In this case, the AC power neutral conductor becomes bonded to the ground

or equipment grounding conductor causing undesired current on the ground or equipment grounding conductor. This may create a personnel safety hazard and could constitute an NFPA 70 violation by creating a neutral to ground bond at a location other than the main service disconnect.

1. Manufactured by MaxiVolt, Eaton, or approved equal.
2. SPD shall be rated for 480 VAC, 3 Phase, 3 Wire.
3. SPD shall have an MCOV of 600 VAC L-L.
4. SPD shall have a Clamping Voltage of 942 VAC L-L.
5. SPD shall have a VPL of 1360 VAC L-L.
6. SPD shall have a short circuit current rating of 100,000 amps.
7. SPD shall provide Line to Line (L→L) protection modes only. In no case shall the SPD have Line to Ground (L→G) protection modes.
8. SPD shall have a capacitive filtering system connected in each Line to Neutral (L→N) mode and/or Line to Line (L→L) mode to provide UL 1283 EMI/RFI noise attenuation.
9. SPD shall have operating temperature of -40C to 85C degrees and operate reliably in environments with 1 to 95% humidity (non-condensing).
10. SPD shall have a frequency range of 50 to 400 Hertz.
11. SPD shall provide EMI-RFI Noise attenuation < 40 db.
12. SPD shall be listed by a NRTL with field-replaceable 5 amp fuses. Thermal fusing and/or thermally protected MOVs are not allowed.
13. SPD enclosure shall be a NEMA 4 rated, non-metallic enclosure to reduce risk of shock and be suitable for both indoor and outdoor installations. Enclosure shall be painted with a catalyst based paint to ensure durability and longevity.
14. SPD protection circuit shall include normally off red indication lights.
15. SPD capacitance shall be 1 to 1.5 microfarads per line.
16. SPD shall utilize open air PCB construction only. No potting material allowed.
17. SPD components shall be properly spaced for dielectric strength.
18. SPD components shall have a response time of less than one (1) nanosecond.

19. SPD lead conductors shall be 14 AWG multi-stranded, no longer than 30 inches and permanently soldered to protection circuit.

20. SPD shall be RoHS compliant.

D. Units shall conform to the following standards.

1. ANSI/IEEE C62.41 and C62.45

2. ANSI/IEEE C62.1 and C62.11

3. NEMA LS1 Guidelines

4. NFPA 20, 70, 75, and 78

5. UL 1449 and 1283

2.14. GROUNDING

A. Ground rods shall be $\frac{3}{4}$ inch diameter & 10 feet long, with a copper jacket bonded to a steel core.

PART 3 - EXECUTION

3.01. ELECTRICAL EQUIPMENT INSTALLATION

1. Headroom Maintenance: If mounting heights or other location criteria are not indicated, arrange and install components and equipment to provide the maximum possible headroom.

2. Materials and Components: Install level, plumb, and parallel and perpendicular to other building systems and components, unless otherwise indicated.

3. Equipment: Install to facilitate service, maintenance, and repair or replacement of components. Connect for ease of disconnecting, with minimum interference with other installations.

4. Right of Way: Give to raceways and piping systems installed at a required slope.

3.02. RACEWAY APPLICATION

A. Use the following raceways for outdoor installations:

1. Exposed: PVC-RGS.

2. Concealed: RGS.

3. Underground, Single Run: RNC.
 4. Underground, Grouped: RNC.
 5. Connection to Vibrating Equipment: LFMC.
- B. Use the following raceways for indoor installations:
6. Exposed: RGS.
 7. Concealed: EMT.
 8. Connection to Vibrating Equipment: LFMC.
 9. Damp or Wet Locations: RGS.

3.03. RACEWAY AND CABLE INSTALLATION

- A. Contractor shall be responsible for routing all conduits to best fit field conditions. This shall include all conduits indicated on the one-lines and cable & conduit schedules. Where conduit routing is shown on plans, it shall be considered a general guideline and shall be field verified to avoid interferences.
- B. Conceal raceways and cables, unless otherwise indicated, within finished walls, ceilings, and floors.
- C. Install raceways and cables at least 6 inches (150 mm) away from parallel runs of flues and steam or hot-water pipes. Locate horizontal raceway runs above water and steam piping.
- D. Use temporary raceway caps to prevent foreign matter from entering.
- E. Make conduit bends and offsets so ID is not reduced. Keep legs of bends in the same plane and straight legs of offsets parallel.
- F. Use raceway and cable fittings compatible with raceways and cables and suitable for use and location.
- G. Install raceways embedded in slabs in middle third of slab thickness where practical, and leave at least 2-inch concrete cover.
 1. Secure raceways to reinforcing rods to prevent sagging or shifting during concrete placement.
 2. Space raceways laterally to prevent voids in concrete.

3. Install conduit larger than 1-inch trade size (DN27) parallel to or at right angles to main reinforcement. Where conduit is at right angles to reinforcement, place conduit close to slab support.
 4. Transition from nonmetallic tubing to PVC coated rigid steel conduit before rising above floor.
- H. Make bends in exposed parallel or banked runs from same centerline to make bends parallel. Use factory elbows only where elbows can be installed parallel; otherwise, provide field bends for exposed parallel raceways.
 - I. Install pull wires in empty raceways. Use No. 14 AWG zinc-coated steel or monofilament plastic line with not less than 200-lb (90-kg) tensile strength. Leave at least 12 inches (300 mm) of slack at each end of the pull wire.
 - J. Install telephone and signal system raceways, 2-inch trade size (DN53) and smaller, in maximum lengths of 150 feet (45 m) and with a maximum of two 90-degree bends or equivalent. Separate lengths with pull or junction boxes where necessary to comply with these requirements, in addition to requirements above.
 - K. Connect motors and equipment subject to vibration, noise transmission, or movement with a maximum of 48-inch LFMC conduit.
 - L. Set floor boxes level and trim after installation to fit flush to finished floor surface.

3.04. WIRING INSTALLATION

- A. Install splices and taps that are compatible with conductor material and that possess equivalent or better mechanical strength and insulation ratings than unspliced conductors.
- B. Cables shall not be spliced without engineer's approval.
- C. Size and install junction boxes as required equipped with adequately rated terminal blocks for extending existing conductors.
- D. Stranded conductor cable shall be terminated by lugs or pressure type connectors. Wrapping stranded cables around screw type terminals is not acceptable.
- E. Spare cables ends shall be taped, coiled, and identified.
- F. Connect outlet and component connections to wiring systems and to ground. Tighten electrical connectors and terminals, according to manufacturer's published torque-tightening values. If manufacturer's torque values are not indicated, use those specified in UL 486A.

3.05. COMMUNICATION WIRING INSTALLATION

- A. Fiber cable ends shall be cleaned according to manufacturer recommendation prior to adding connectors.
- B. Ethernet and Fiber cable shall contain all connectors required for a functional system according to manufactures recommendations.
- C. Ensure exterior of cable/casing is not painted.

3.06. SUPPORT INSTALLATION

- A. Install support devices to securely and permanently fasten and support electrical components.
- B. Paint cut ends of steel channel with Zinc-rich primer prior to installation.
- C. Install individual and multiple raceway hangers and riser clamps to support raceways. Provide U-bolts, clamps, attachments, and other hardware necessary for hanger assemblies and for securing hanger rods and conduits.
- D. Support parallel runs of horizontal raceways together on trapeze or bracket-type hangers.
- E. Size supports for multiple raceway installations so capacity can be increased by a 25 percent minimum in the future.
- F. Support individual horizontal raceways with separate, malleable-iron pipe hangers or clamps.
- G. Install 1/4-inch (6-mm) diameter or larger threaded steel hanger rods, unless otherwise indicated.
- H. Spring-steel fasteners specifically designed for supporting single conduits or tubing may be used instead of malleable-iron hangers for 1-1/2-inch (38-mm) and smaller raceways serving lighting and receptacle branch circuits above suspended ceilings and for fastening raceways to slotted channel and angle supports.
- I. Arrange supports in vertical runs so the weight of raceways and enclosed conductors is carried entirely by raceway supports, with no weight load on raceway terminals.
- J. Simultaneously install vertical conductor supports with conductors.
- K. Separately support cast boxes that are threaded to raceways and used for fixture support. Support sheet-metal boxes directly from the building structure or by bar hangers. If bar hangers are used, attach bar to raceways on opposite sides of the box

and support the raceway with an approved fastener not more than 24 inches (610 mm) from the box.

- L. Install metal channel racks for mounting cabinets, panelboards, disconnect switches, control enclosures, pull and junction boxes, transformers, and other devices unless components are mounted directly to structural elements of adequate strength.
- M. Install sleeves for cable and raceway penetrations of concrete slabs and walls unless core-drilled holes are used. Install sleeves for cable and raceway penetrations of masonry and fire-rated gypsum walls and of all other fire-rated floor and wall assemblies. Install sleeves during erection of concrete and masonry walls.
- N. Strength of Supports: Adequate to carry present and future loads, times a safety factor of at least four; minimum of 200-lb (90-kg) design load.

3.07. IDENTIFICATION MATERIALS AND DEVICES

- A. Install at locations for most convenient viewing without interference with operation and maintenance of equipment.
- B. Coordinate names, abbreviations, colors, and other designations used for electrical identification with corresponding designations indicated in the Contract Documents or required by codes and standards. Use consistent designations throughout Project.
- C. Install continuous underground plastic markers during trench backfilling, for exterior underground power, control, signal, and communication lines located directly above power and communication lines. Locate 6 to 8 inches (150 to 200 mm) below finished grade. If width of multiple lines installed in a common trench or concrete envelope does not exceed 16 inches (400 mm), overall, use a single line marker.
- D. Color-code 208/120-V system secondary service, feeder, and branch-circuit conductors throughout the secondary electrical system as follows:
 - 1. Phase A: Black.
 - 2. Phase B: Red.
 - 3. Phase C: Blue.
 - 4. Neutral: White.
 - 5. Ground: Green.
- E. Color-code 480/277-V system secondary service, feeder, and branch-circuit conductors throughout the secondary electrical system as follows:

1. Phase A: Brown.
 2. Phase B: Orange.
 3. Phase C: Yellow.
 4. Neutral: White with a colored stripe or gray.
 5. Ground: Green.
- F. Install warning, caution, and instruction signs where required to comply with 29 CFR, Chapter XVII, Part 1910.145, and where needed to ensure safe operation and maintenance of electrical systems and of items to which they connect. Install engraved plastic-laminated instruction signs with approved legend where instructions are needed for system or equipment operation. Install metal-backed butyrate signs for outdoor items.
- G. Install engraved-laminated emergency-operating signs with white letters on red background with minimum 3/8-inch (9-mm) high lettering for emergency instructions on power transfer, load shedding, and other emergency operations.
- 3.08. FIRESTOPPING
- A. Apply firestopping to cable and raceway penetrations of fire-rated floor and wall assemblies to achieve fire-resistance rating of the assembly.
- 3.09. CONCRETE BASES
- A. Coordinate concrete work with the electrical details.
- B. Construct concrete bases of dimensions indicated, but not less than 4 inches (100 mm) larger, in both directions, than supported unit. Follow supported equipment manufacturer's anchorage recommendations and setting templates for anchor-bolt and tie locations, unless otherwise indicated.
- 3.10. GROUNDING
- A. The electrical system and equipment shall be grounded in compliance with the National Electrical Code and the following requirements.
1. Ground cable splices, joints, ground rod connections, and equipment bonding connections shall comply with IEEE 837 requirements. Connections shall be exothermic weld, or irreversible high-compression connections. Mechanical connections will not be acceptable. Cable connections to bus bars shall be made with high-compression two-hole lugs. All connections shall be made using a manufacturer approved tool.

2. Ground cable passing through exterior building walls shall enter 3 feet below finished grade and shall be sealed with a water stop. Unless otherwise noted bare cable shall include filling space between strands with solder and soldering a 12 inch copper disc between cables.
3. Ground cable installed near the base of a structure shall be no closer than 24 inches.
4. All powered equipment, including lighting fixtures, receptacles, panels, junction boxes, cabinets, equipment enclosures, and equipment racks shall be grounded by a copper ground conductor in addition to the conduit connection.
5. Ground termination on any structure, piping, equipment or instrument shall be clean and free of paint. Paint must be removed in order to provide a clean grounding surface. All contact surfaces shall be thoroughly cleaned with an electrical joint compound before connections are made.
6. The grounding system shall be bonded to piping by a bolted connection. The connection shall be made to the first flange inside the building, on either incoming or discharge pipe, with a copper bar or strap.
7. Grounding conductors shall be routed as directly as possible, avoiding unnecessary bends. The minimum bend radius shall be not less than the minimum for that size cable.
8. The ground system resistance shall comply with the National Electrical Code. The grounding system design shown on drawings is the minimum design for each building. Each system shall comply with the maximum resistance of 10 ohms to ground. Contractor shall confirm the system grounding resistance with the results of the test. Systems exceeding the maximum resistance specified shall be supplemented with additional grounding provisions and retested until the maximum specified resistance is achieved.
9. The grounding system of each new building shall be tested to determine the resistance to earth. All testing shall be performed by an independent NETA accredited testing organization. Testing shall be completed after not less than three full days without precipitation and without other moistening or chemical treatment to the soil.
10. Grounding systems shall be tested for the resistance to earth utilizing the three-point fall of potential test as defined by IEEE 81. Testing shall be completed prior to installation of the electrical distribution equipment to ensure ground system is isolated from utility and other systems. Test results shall be documented on a graphical plot with resistance in ohms on the vertical axis and distance in feet on

the horizontal axis. The results shall clearly indicate a system resistance plateau which confirms a valid test procedure.

- B. Ground rods and interconnecting cables shall be buried below the frost line, or at a minimum of 30 inches below grade, whichever is deeper.

3.11. SURGE PROTECTIVE DEVICE (SPD) INSTALLATION

- A. Do not energize or connect service entrance equipment or branch panelboards to their power sources until SPD's are installed and connected.
- B. SPD shall be installed with the shortest lead conductor length possible and lead conductor shall be free of sharp bends. If a circuit breaker is required, a 30 amp maximum is permitted.
- C. Connections
 - 1. Tighten electrical connection and terminals according to manufactures published torque tightening values. If manufacture's torque values are not indicated, use those specified in UL 486A and UL 486B.
- D. Replace fuses when prompted by indication lights. If SPD will not re-fuse, replace SPD.

3.12. CUTTING AND PATCHING

- A. Cut, channel, chase, and drill floors, walls, partitions, ceilings, and other surfaces required to permit electrical installations. Perform cutting by skilled mechanics of trades involved.
- B. Repair and refinish disturbed finish materials and other surfaces to match adjacent undisturbed surfaces. Install new fireproofing where existing firestopping has been disturbed. Repair and refinish materials and other surfaces by skilled mechanics of trades involved.

3.13. FIELD QUALITY CONTROL

- A. Inspect installed components for damage and faulty work, including the following:
 - 1. Raceways.
 - 2. Cables.
 - 3. Supporting devices for electrical components.
 - 4. Electrical identification.
 - 5. Concrete bases.

6. Electrical demolition.
 7. Cutting and patching for electrical construction.
 8. Touchup painting.
- B. Test Owner's electricity-metering installation for proper operation, accuracy, and usability of output data.
1. Connect a load of known kW rating, 1.5 kW minimum, to a circuit supplied by the metered feeder.
 2. Repair or replace malfunctioning metering equipment or correct test setup; then retest. Repeat for each meter in installation until proper operation of entire system is verified.

3.14. TESTING

- A. A client witnessed Site Acceptance Test (SAT) shall be performed on panels and radio network associated with this project once equipment is installed and operational. Engineer and The City of Grand Junction shall be provided two weeks' notice prior to SAT.

3.15. REFINISHING AND TOUCHUP PAINT

- A. Refinish and touch up paint.
1. Clean damaged and disturbed areas and apply primer, intermediate, and finish coats to suit the degree of damage at each location.
 2. Follow paint manufacturer's written instructions for surface preparation and for timing and application of successive coats.
 3. Repair damage to galvanized finishes with zinc-rich paint recommended by manufacturer.
 4. Repair damage to PVC or paint finishes with matching touchup coating recommended by manufacturer.

3.16. CLEANING AND PROTECTION

- A. On completion of installation, including outlets, fittings, and devices, inspect exposed finish. Remove burrs, dirt, paint spots, and construction debris.
- B. Protect equipment and installations and maintain conditions to ensure that coatings, finishes, and cabinets are without damage or deterioration at time of Substantial Completion.

END OF SECTION

SECTION 26 24 19

MOTOR-CONTROL CENTERS

PART 1 - GENERAL

1.1 REFERENCES

- A. The following is a list of standards which shall be followed for this section.
1. Institute of Electrical and Electronics Engineers (IEEE): C2, National Electrical Safety Code (NESC)
 2. National Electrical Safety Code (NESC)
 3. National Electrical Contractors Association (NECA)
 4. National Fire Protection Association (NFPA): 70, National Electrical Code (NEC)
 5. Underwriters Laboratories, Inc. (UL)
 6. National Electrical Manufacturers Association (NEMA)
 7. International Electrical Testing Association (NETA)

1.2 SUMMARY

- A. This Section includes motor-control centers for use on ac circuits rated 600 V and less.

1.3 SUBMITTALS

- A. Product Data shall include dimensions, ratings, and data on features and components.
- B. Shop Drawings for each motor-control center specified in this section. Include complete and accurate dimensioned plans, elevations, conduit entrance locations, and component lists. Show ratings, including short-circuit ratings, protective device data, and horizontal and vertical bus ampacities.
1. Schedule of features, characteristics, ratings, nameplate information, and factory settings of individual motor-control center units.
 2. Wiring Diagrams: Interconnecting wiring diagrams pertinent to class and type specified for motor-control center. Schematic diagram of each type of controller unit indicated.
- C. Certified Factory Test Reports.
- D. NETA test reports

E. Installation Data shall include shipping splits, lifting locations, anchoring details, weight, and any other special handling instructions.

F. Operation and Maintenance Data.

Submittal data shall be presented in a clear, precise and thorough manner. The Contractor's submittals shall be bound in an appropriately sized 3-ring binder, tabbed by specification section with arrows and circles clearly identifying relevant products. Non-pertinent data shall be deleted or crossed out.

1.4 QUALITY ASSURANCE

A. The manufacturer of the motor-control center shall have a minimum of 20-years experience in the manufacturing and assemble of NEMA low voltage motor-control centers.

B. The manufacturer shall have ISO 9001 registered facilities for the design, manufacture, and testing of motor-control centers.

C. Motor-control center sections and individual motor-control center units shall be designed and manufactured in accordance with UL 845 requirements.

D. Motor-control center sections and individual units shall have applied UL Listing Mark.

1.5 DELIVERY, STORAGE, AND HANDLING

A. Deliver in shipping splits of lengths that can be moved past obstructions in delivery path as required.

B. Store so condensation will not occur on or in motor-control centers. Provide temporary heaters as required to prevent condensation.

C. Handle motor-control centers according to NEMA ICS 2.3, "Instructions for the Handling, Installation, Operation, and Maintenance of Motor Control Centers." Use factory-installed lifting provisions.

PART 2 - PRODUCTS

2.1 MANUFACTURERS

A. List of approved manufacturers

1. Siemens
2. Or approved equal.

2.2 IDENTIFICATION

A. Nameplates

1. The motor-control center shall have a 2.0 x 8-inch engraved nameplate. The lettering shall be 3/16-inch high, black on white background.
2. Each unit shall have a 1.0 x 2.5-inch engraved nameplate. The lettering shall be 3/16-inch high, black on white background.

2.3 RATINGS

- A. The motor-control center shall be 600-volt class suitable for operation on a three-phase, 60Hz system. The system operating voltage and number of wires shall be as indicated on the drawings.
- B. The motor-control center shall be service entrance rated.

2.4 CONSTRUCTION

- A. Motor-control center enclosure shall be rated for the environment to which it is installed, at minimum NEMA Type 1 gasketed.
- B. Structures
 1. The structure shall be totally enclosed, dead-front, free-standing assemblies consisting of one or more vertical sections bolted together to form a ridged, free-standing assembly. They shall be 90 inches high and 20 inches deep, except where larger dimensions are required. The systems shall be designed to allow for the addition of future sections at either end and permit the interchanging of units.
 2. Each section shall be equipped with two full metal side sheets to isolate each vertical section and to help reduce the likelihood of fault propagation between sections.
 3. Units shall be constructed to remove units without opening adjacent doors, disconnecting adjacent units, or disturbing the operation of other units in the motor-control center. Units requiring the same size compartment shall be interchangeable.
 4. The sections & overall enclosure shall incorporate means to prevent rodents from entering.
- C. Wireways
 1. A full length vertical wireway shall be adjacent to each vertical unit and shall be covered by a hinged door. Wireways shall contain tie bars for cable supports and be isolated from vertical and horizontal buses.

2. Horizontal wire ways shall be located at the top and bottom of motor-control center and extend the full depth. Wireways shall be continuous across the length of the motor-control center with removable covers, except where access need to be denied due to electrical isolation requirements.

D. Paint

1. All interior and exterior surfaces shall be painted ANSI 49 medium light gray. The vertical wireways and unit back plates shall be painted high visibility gloss white. All unpainted parts shall be plated for corrosion resistance.

E. Lifting Angles

1. Each vertical section and/or shipping split shall be provided with removable lifting angles mounted to the top of the enclosure. Lifting eyes are not acceptable.

2.5 WIRING/TERMINATIONS

A. Wiring shall be NEMA Class IIS and NEMA Type B. Wire sizes as follows:

1. Control Wire: 14 AWG minimum.
2. Power Wire: 12 AWG minimum.
3. All wires shall be labeled with heat shrink type labels, wrap around labels are not acceptable.

2.6 BUSES

A. Ratings

1. All power buses shall be braced for 65,000 amperes RMS symmetrical minimum.

B. Horizontal power bus

1. Each structure shall contain a fully rated main horizontal bus, with minimum ampacity as shown on the drawings. The bus shall be rated at 50 degrees C temperature rise over a 40 degrees C ambient in compliance with UL standards. The bus material shall be copper with tin plating. It shall be properly supported, braced, and isolated from the vertical bus.
2. For standard sections the horizontal bus shall be continuous within each shipping section and shall be supported and braced.
3. Horizontal bus splices shall have at least two bolts on each side.

C. Vertical power bus

1. Each vertical section shall contain a vertical bus and be rated with a minimum ampacity of 600 amperes or as shown on the drawings. The bus shall be rated at

50 degrees C temperature rise over a 40 degrees C ambient in compliance with UL standards. The bus material shall be copper with tin plating. It shall be properly supported and braced. The bus shall be isolated and insulated by means to effectively isolate the vertical buses to prevent any fault-generated gases to pass from one phase to another.

2. Vertical bus shall be isolated from the horizontal bus except where necessary to attach to the horizontal bus. This connection shall be made with at least two bolts.
3. The vertical bus shall include a shutter mechanism that will allow the unit stabs to engage the vertical bus and provide complete isolation of the vertical bus when a unit is removed.
4. Top and bottom bus covers for insulation and isolation at bus ends.

D. Ground bus

1. Each structure shall contain a ground bus system consisting of a horizontal ground bus connected to vertical ground buses mounted in each vertical section.
2. The ground bus material shall be non-insulated copper with tin plating and be sized 1 by ¼ inch at minimum. Rating of bus shall be 300 amperes for power bus ratings less than 2,000 amperes and 600 amperes for power bus ratings 2,000 amperes and greater.
3. The bus shall be located in the top or bottom of the enclosure and extend the entire length.
4. Unit ground stabs shall be provided on all unit inserts. The ground stab shall establish unit insert grounding to the vertical ground bus before the plug-in power stabs engage the power bus. The grounding shall be maintained until after the plug-in power stabs are disengaged.
5. Ground bus shall be pre drilled and furnished with lugs for connection to equipment grounds.

E. Neutral bus

1. Neutral bus shall be full size.

2.7 UNIT INFORMATION

A. Draw-out units

1. Each draw-out unit shall consist of a unit assembly, unit support pan and unit door assembly.
2. NEMA Size 5 and feeder breakers through 400 amperes shall be draw-out units.
3. A color coded operating mechanism shall be mounted on the primary disconnect of each unit. It shall be mechanically interlocked with the unit door to prevent access, unless the disconnect is in the "OFF" position. A defeater shall be provided.

ed for qualified personnel to bypass this interlock. With the door open, an interlock shall be provided to prevent the unit while in the "ON" position. Padlocking capabilities shall be provided to positively lock the disconnect in the "OFF" position with up to three (3) padlocks with the door open or closed.

4. Units shall have short-circuit current ratings equal to or greater than short-circuit current rating of motor-control center section.
5. Units shall be equipped with pull-apart terminal strips or draw-out terminal boards for external control connections.
6. Constructed to be completely enclosed and isolated from adjacent units, buses and wires ways, except for conductor entries into the unit, and to contain any fault within the unit compartment.
7. Held in place by screws or other positive locking means after unit is inserted.
8. Integral unit ground stabs.
9. Pilot Devices
 - a. 30 millimeter size.
 - b. Heavy-Duty, oil-tight, rated to match or exceed enclosure NEMA rating.
 - c. Run/Start indication, Red.
 - d. Stopped/Off/Ready indication, Green.
 - e. Overload test/reset button.
10. Relays and timers
 - a. Coils shall be 120 VAC, 60 Hz rated for continuous duty at 40 deg. C.
 - b. Contacts shall be rated 10 amperes minimum at 120VAC.
 - c. NEMA rated
11. Contactors
 - a. Coils shall be 120 VAC, 60 Hz rated for continuous duty.
 - b. Mechanically held with disconnecting contacts.

B. Power Stabs

1. Unit stabs for engaging the power bus shall be tin-plated copper and provided with stainless back-up springs to provide and maintain a high pressure connection to the vertical bus. The power cable termination at the plug-in stab shall be a maintenance-free crimp type connection.
2. Wiring from the unit disconnecting means to the plug-in stabs shall not be exposed on the rear of the unit. A separate isolated pathway shall be provided for each phase to minimize the possibility of unit fault conditions reaching the power bus system.
3. The power cable termination at the plug-in stab shall be a maintenance-free crimp type connection.
4. Spaces and blank units shall be fully bused and equipped with guide rails or equivalent, ready for insertion of draw-out units.

5. Spare units shall indicate type, sizes, and ratings of installed equipment and be indicated "spare".

2.8 OVERCURRENT PROTECTION

A. Main Overcurrent Protection

1. Interrupting rating of 65,000 amperes RMS symmetrical minimum, slash rating is not acceptable.
2. Provide thermal magnetic trip unit for 300 amperes and smaller frames; provide electronic trip unit for 400 amperes and larger frames. Electronic trip unit shall feature the following adjustable settings for coordination:
 - a. Instantaneous trip
 - b. Long and short time pickup levels
 - c. Long and short time adjustments with I₂t response
 - d. Ground fault pickup level, time delay, and I₂t response
3. Provide a removable protective barrier to reduce the possibility of contact with line terminals.

B. Feeder Overcurrent Protection.

1. Protective devices shall be molded case circuit breakers with inverse time, instantaneous tripping characteristics, and short circuit interrupting rating 65,000 amperes RMS symmetrical minimum.
2. Circuit breakers shall be operated by a toggle-type handle and shall have a quick-make, quick-break over-center switching mechanism that is mechanically trip-free. Automatic tripping of the breaker shall be clearly indicated by the handle position. Contacts shall be non-welding silver alloy. A push-to-trip button on the front of the circuit breaker shall provide a local manual means to exercise the trip mechanism.
3. Circuit Breakers 200 amperes and larger shall have interchangeable trip units within frame size.
4. Circuit Breakers 400 amperes and larger shall have field-adjustable, short-time and continuous-current settings.

C. Motor Starter Overcurrent Protection

1. The overcurrent protection for across the line starter shall be motor circuit protectors (MCP).
2. The unit short circuit current rating shall be greater or equal to 65,000 amperes RMS symmetrical.
3. Units shall be shipped as the motor circuit protector set a lowest setting per UL.
4. Minimum frame size shall be 150 amperes.

2.9 COMBINATION MOTOR STARTERS

- A. Starters shall be combination type rated for 600 volts with thermal-magnetic circuit breaker and control power transformer. The unit shall be equipped with two (2) indicating lights, Hand-Off-Auto (HOA) selector switch, and one (1) normally open "N.O." and one (1) normally closed "N.C." auxiliary contacts.
- B. Starters shall be NEMA size, design, and rating. Minimum size shall be NEMA Size 1.
- C. Coordinate thermal magnetic circuit breaker, and overload trip ratings with current ratings of installed motor.
- D. Starters shall be provided with a 3-pole solid state overload relay that includes the following:
 - 1. Self-powered
 - 2. Selectable trip classes 10, 20, or 30.
 - 3. Overload protection.
 - 4. Phase loss and phase imbalance protection.
 - 5. Trip current adjustment range of 5:1 or greater.
 - 6. Visual trip status indication.
 - 7. Push-to-trip test and Reset button. Reset button shall be extended and accessible from outside of the unit door.
 - 8. Thermal memory circuit to model the heating and cooling effects of motor "ON" and "OFF" periods.
 - 9. One (1) normally open "N.O." and one (1) normally closed "N.C." auxiliary contact.
- E. The motor starter shall have a control power transformer to provide secondary 120 V control power within each unit. The control power transformer shall be sized with adequate capacity to operate connected pilot, indicating control devices, plus 100 percent spare capacity. The control power transformer shall be fused on the primary and secondary. Minimum size: 150 VA.

2.10 Variable Frequency Drives

- A. Section Not Used

2.11 SURGE PROTECTIVE DEVICE (SPD)

- A. SPD devices shall be furnished and installed for the electrical equipment as indicated on the drawings. All new motor control centers shall be furnished with integral SPD devices.

- B. SPD shall be as standard product of a manufacturer regularly engaged in the production of SPD devices and shall be the manufacturer's latest approved design.
- C. Common Mode SPDs shall not be utilized. Common Mode SPDs may fail in a short circuit condition. In this case, the AC power neutral conductor becomes bonded to the ground or equipment grounding conductor causing undesired current on the ground or equipment grounding conductor. This may create a personnel safety hazard and could constitute an NFPA 70 violation by creating a neutral to ground bond at a location other than the main service disconnect.
1. Manufactured by MaxiVolt, Eaton, or approved equal.
 2. SPD shall be rated for 480 VAC, 3 Phase, 3 Wire.
 3. SPD shall have an MCOV of 600 VAC L-L.
 4. SPD shall have a Clamping Voltage of 942 VAC L-L.
 5. SPD shall have a VPL of 1360 VAC L-L.
 6. SPD shall have a short circuit current rating of 100,000 amps.
 7. SPD shall provide Line to Line (L_L) protection modes only. In no case shall the SPD have Line to Ground (L_G) protection modes.
 8. SPD shall have a capacitive filtering system connected in each Line to Neutral (L_N) mode and/or Line to Line (L_L) mode to provide UL 1283 EMI/RFI noise attenuation.
 9. SPD shall have operating temperature of -40C to 85C degrees and operate reliably in environments with 1 to 95% humidity (non-condensing).
 10. SPD shall have a frequency range of 50 to 400 Hertz.
 11. SPD shall provide EMI-RFI Noise attenuation < 40 db.
 12. SPD shall be listed by a NRTL with field-replaceable 5 amp fuses. Thermal fusing and/or thermally protected MOVs are not allowed.
 13. SPD enclosure shall be a NEMA 4 rated, non-metallic enclosure to reduce risk of shock and be suitable for both indoor and outdoor installations. Enclosure shall be painted with a catalyst based paint to ensure durability and longevity.
 14. SPD protection circuit shall include normally off red indication lights.
 15. SPD capacitance shall be 1 to 1.5 microfarads per line.
 16. SPD shall utilize open air PCB construction only. No potting material allowed.
 17. SPD components shall be properly spaced for dielectric strength.
 18. SPD components shall have a response time of less than one (1) nanosecond.
 19. SPD lead conductors shall be 14 AWG multi-stranded, no longer than 30 inches and permanently soldered to protection circuit.

20. SPD shall be RoHS compliant.

D. Units shall conform to the following standards.

1. ANSI/IEEE C62.41 and C62.45
2. ANSI/IEEE C62.1 and C62.11
3. NEMA LS1 Guidelines
4. NFPA 20, 70, 75, and 78
5. UL 1449 and 1283

PART 3 - EXECUTION

3.1 FACTORY TESTING

- A. All factory tests required by the latest ANSI, NEMA and UL standards shall be performed.
- B. A certified test report of all standard production tests shall be available to the Engineer upon request.

3.2 INSTALLATION

- A. Install motor-control centers according to NEMA ICS 2.3 and manufacturer's written instructions.
- B. Anchor each motor-control center assembly to steel-channel sills arranged and sized according to manufacturer's written instructions.
- C. Install motor-control centers on concrete housekeeping bases.
- D. Install fuses as required in each fusible switch as indicated.
- E. Tighten motor-control center bus joint, electrical connector, and terminal bolts according to manufacturer's published torque-tightening values. Where manufacturer's torque values are not indicated, use those specified in UL 486A and UL 486B.
- F. Cleaning
 1. Inspect interior and exterior of motor-control centers. Remove paint splatters and other spots, dirt, and debris. Touch up scratches and mars of finish to match original finish. Clean devices internally, using methods and materials recommended by manufacturer.

G. Field Quality Control

1. The Contractor shall perform field adjustments of the short circuit and overload devices as required to place the equipment in final operating condition. The settings shall be in accordance with the approved short-circuit study, protective device evaluation study, protective device coordination study, manufacturer's instruction leaflets, and the contract documents.
2. Testing shall be completed by an International Electrical Testing Association (NETA) accredited company and conform to NETA standard ATS 2014, Section 7.16.1.1 "Motor Control, Motor Starters, Low Voltage". No options required.
3. Contractor is responsible for generation of a field report on tests performed, test values experienced, etc., and make the report available to owner upon request.

3.3 SURGE PROTECTIVE DEVICE (SPD) INSTALLATION

- A. Do not energize or connect service entrance equipment or feeders to their power sources until SPD's are installed and connected.
- B. SPD shall be installed with the shortest lead conductor length possible and lead conductor shall be free of sharp bends. If a circuit breaker is required, a 30 amp maximum is permitted.
- C. Connections
 1. Tighten electrical connection and terminals according to manufactures published torque tightening values. If manufacture's torque values are not indicated, use those specified in UL 486A and UL 486B.
- D. Replace fuses when prompted by indication lights. If SPD will not re-fuse, replace SPD.

3.4 PRODUCT SUPPORT

- A. Manufacturer's representative shall provide onsite assistance with the following:
 1. Functional and performance testing.
 2. Startup.
 3. Training of owner's personnel.
- B. Schedule training with at least 7 days advance notice.

END OF SECTION

SECTION 26 32 13

DIESEL GENERATOR ASSEMBLIES

PART 1 - GENERAL

1.1 SUMMARY

- A. Engine generators will be used as the Standby power source for the system, but shall be capable of providing reliable power with no run-time limitations while the primary source of power is unavailable.

1.2 DEFINITIONS

- A. Emergency Standby Power (ESP): Per ISO 8528: The maximum power available during a variable electrical power sequence, under the stated operating conditions, for which a generating set is capable of delivering in the event of a utility power outage or under test conditions for up to 200 hours of operation per year with the maintenance intervals and procedures being carried out as prescribed by the manufacturers. The permissible average power output (Ppp) over 24 hours of operation shall not exceed 70 percent of the ESP unless otherwise agreed by the RIC engine manufacturer.
- B. Prime Power (PRP): Per ISO 8528: The maximum power which a generating set is capable of delivering continuously whilst supplying a variable electrical load when operated for an unlimited number of hours per year under the agreed operating conditions with the maintenance intervals and procedures being carried out as a prescribed by the manufacturer. The permissible average power output (Ppp) over 24 hours of operation shall not exceed 70 percent of the PRP unless otherwise agreed by the RIC engine manufacturer.
- C. Limited Time running Power (LTP): Per ISO 8528: The maximum power available, under the agreed operating conditions, for which the generating set is capable of delivering for up to 500 hours of operation per year with the maintenance intervals and procedures being carried out as prescribed by the manufacturers.
- D. Continuous Operating Power (COP): Per ISO 8528: The maximum power which a generating set is capable of delivering continuously whilst supplying a constant electrical load when operated for an unlimited number of hours per year under the agreed operating conditions with the maintenance intervals and procedures being carried out as a prescribed by the manufacturer.

- E. Data Center Continuous (DCC): The maximum power which a generating set is capable of delivering continuously whilst supplying a variable or constant electrical load when operated for an unlimited number of hours in a data center application under the agreed operating conditions with the maintenance intervals and procedures being carried out as prescribed by the manufacturer. The permissible average power output (Ppp) over 24 hours of operation shall not exceed 100 percent of the DCC rating.
- F. Operational Bandwidth: The total variation from the lowest to highest value of a parameter over the range of conditions indicated, expressed as a percentage of the nominal value of the parameter.

1.3 ACTION SUBMITTALS

- A. Product Data: For each type of packaged engine generator indicated. Include rated capacities, operating characteristics, and furnished specialties and accessories. In addition, include the following:
 - 1. Thermal damage curve for generator.
 - 2. Time-current characteristic curves for generator protective device.
 - 3. Sound test data, based on a free field requirement.
 - 4. Generator elevated platform layout and dimensions.
- B. Shop Drawings: Detail equipment assemblies and indicate dimensions, weights, and location and size of each field connection.
 - 1. Dimensioned outline plan and elevation drawings of engine-generator set and other components specified.
 - 2. Wiring Diagrams: Control interconnection, Customer connections.
- C. Certifications:
 - 1. Submit statement of compliance which states the proposed product(s) is certified to the emissions standards required by the location for EPA, stationary emergency application.
 - 2. Submit statement of compliance which states the proposed product(s) are seismically certified in compliance with local requirements signed and sealed by a qualified professional engineer.

1.4 INFORMATIONAL SUBMITTALS

- A. Manufacturer Seismic Qualification Certification: Submit certification that the 24 Hour(s) fuel tank, the Sound Attenuated enclosure, engine-generator set, and components will withstand seismic forces. Include the following:
 - 1. Dimensioned Outline Drawings of Equipment Unit: Identify center of gravity and locate and describe mounting and anchorage provisions.

2. Detailed description of equipment anchorage devices on which the certification is based and their installation requirements.
- B. Source quality-control test reports.
1. Certified summary of prototype-unit test report. See requirements in Part 2 "Source Quality Control" Article Part A. Include statement indicating torsional compatibility of components.
 2. Certified Test Report: Provide certified test report documenting factory test per the requirements of this specification, as well as certified factory test of generator set sensors per NFPA110 level 1.
 3. List of factory tests to be performed on units to be shipped for this Project.
 4. Report of exhaust emissions and compliance statement certifying compliance with applicable regulations.
- C. Warranty:
1. Submit manufacturer's warranty statement to be provided for this Project.

1.5 QUALITY ASSURANCE

- A. Installer Qualifications: Manufacturer's authorized representative who is trained and approved for installation of units required for this Project.
- B. Manufacturer Qualifications: A qualified manufacturer. Maintain, within 250 of Project site, a service center capable of providing training, parts, and emergency maintenance repairs.
- C. Source Limitations: Obtain packaged generator sets and auxiliary components through one source from a single manufacturer.
- D. Comply with NFPA 37 (Standard For the Installation and Use of Stationary Combustion Engines and Gas Turbines).
- E. Comply with NFPA 70 (National Electrical Code. Equipment shall be suitable for use in systems in compliance to Article 700, 701, and 702).
- F. Comply with NFPA 110 (Emergency and Standby Power Systems) requirements for Level 1 emergency power supply system.
- G. Comply with UL 2200.
- H. Noise Emission: Comply with Applicable state and local government requirements for maximum noise level at Adjacent property boundaries due to sound emitted by generator set including engine, engine exhaust, engine cooling-air intake and discharge, and other components of installation.

1.6 PROJECT CONDITIONS

- A. Environmental Conditions: Engine-generator system shall withstand the following environmental conditions without mechanical or electrical damage or degradation of performance capability:
 - 1. Ambient Temperature: -23.33 deg C (-10.0 deg F) to 40.0 deg C (104.0 deg F).
 - 2. Relative Humidity: 0 to 95 percent.
 - 3. Altitude: Sea level to 5280.0 feet (1609.0 m).

1.7 WARRANTY

- A. Base Warranty: Manufacturer shall provide base warranty coverage on the material and workmanship of the generator set for a minimum of twenty-four (24) months for Standby product and twelve (12) months for Prime/Continuous product from registered commissioning and start-up.
- B. Extended Warranty: Manufacturer shall offer extend coverage of 5 years from date of registered commissioning and start-up.

PART 2 - PRODUCTS

2.1 MANUFACTURERS

- A. List of approved manufacturers
 - 1. Cummins Products.
 - 2. Caterpillar Products.
 - 3. Or approved equal.

2.2 Automatic Transfer Switch

- A. The automatic transfer switch(es) specified in another section shall be coordinated by the generator set supplier to establish and maintain a single source of system responsibility.
- B. The automatic transfer switch and generator communication signals shall be coordinated to ensure all components are provided for a fully functional system.

2.3 ENGINE-GENERATOR SET

- A. Factory-assembled and -tested, engine-generator set.

- B. Mounting Frame: Maintain alignment of mounted components without depending on concrete foundation; and have lifting attachments.
 - 1. Rigging Information: Indicate location of each lifting attachment, generator-set center of gravity, and total package weight in submittal drawings.

- C. Capacities and Characteristics:
 - 1. Plant Water Building:
 - a. Power Output Ratings for the Plant Water Generator: Electrical output power rating for Standby operation not less than 500kW, at 80 percent lagging power factor, 277/480, Series Wye, phase, 4 -wire, 60 hertz.
 - b. Alternator shall be capable of accepting maximum 350 kVA in a single step and be capable of recovering to a minimum of 90% of rated no load voltage. Following the application of the specified kVA load at near zero power factor applied to the generator set.
 - 2. Nameplates: For each major system component to identify manufacturer's name and address, and model and serial number of component. The engine-generator nameplate shall include information of the power output rating of the equipment.

- D. Generator-Set Performance:
 - 1. Steady-State Voltage Operational Bandwidth: 0.5 percent of rated output voltage from no load to full load.
 - 2. Transient Voltage Performance: Not more than 20 percent variation for 100 percent step-load increase or decrease. Voltage shall recover and remain within the steady-state operating band within 5 seconds. On application of a 100% load step the generator set shall recover to stable voltage within 10 seconds.
 - 3. Steady-State Frequency Operational Bandwidth: 0.25 percent of rated frequency from no load to full load.
 - 4. Steady-State Frequency Stability: When system is operating at any constant load within the rated load, there shall be no random speed variations outside the steady-state operational band and no hunting or surging of speed.
 - 5. Transient Frequency Performance: Not more than 10 percent variation for 100 percent step-load increase or decrease. Frequency shall recover and remain within the steady-state operating band within 5 seconds. On application of a 100% load step the generator set shall recover to stable frequency within 10 seconds.
 - 6. Output Waveform: At full load, harmonic content measured line to line or line to neutral shall not exceed 5 percent total and 3 percent for any single harmonic. Telephone influence factor, determined according to NEMA MG 1, shall not exceed 50.
 - 7. Sustained Short-Circuit Current: For a 3-phase, bolted short circuit at system output terminals, system shall supply a minimum of 300 percent of rated full-load current for not less than 8 seconds without damage to generator system components. For a 1-phase, bolted short circuit at system output terminals, sys-

tem shall regulate both voltage and current to prevent over-voltage conditions on the non-faulted phases.

8. Start Time: Comply with NFPA 110, Level 1, Type 10, system requirements.
9. Ambient Condition Performance: Engine generator shall be designed to allow operation at full rated load in an ambient temperature under site conditions, based on highest ambient condition. Ambient temperature shall be as measured at the air inlet to the engine generator for enclosed units, and at the control of the engine generator for machines installed in equipment rooms.
10. Noise Output: Engine generator shall be tested by the manufacturer per ANSI S12.34. Data documenting performance shall be provided with submittal documentation.
11. Load Sharing: Engine generator shall share real and reactive load proportionally within plus or minus 3 percent with all other engine generators in the system.

2.4 ENGINE

- A. Fuel: ASTM D975 #2 Diesel Fuel
- B. Rated Engine Speed: 1800RPM.
- C. Lubrication System: The following items are mounted on engine or skid:
 1. Lube oil pump: shall be positive displacement, mechanical, full pressure pump.
 2. Filter and Strainer: Provided by the engine manufacturer of record to provide adequate filtration for the prime mover to be used.
 3. Crankcase Drain: Arranged for complete gravity drainage to an easily removable container with no disassembly and without use of pumps, siphons, special tools, or appliances.
- D. Engine Fuel System: The engine fuel system shall be installed in strict compliance to the engine manufacturer's instructions
- E. Main Fuel Pump: Mounted on engine. Pump ensures adequate primary fuel flow under starting and load conditions.
- F. Coolant Jacket Heater: Electric-immersion type, factory installed in coolant jacket system. Comply with NFPA 110 requirements for Level 1 equipment for heater capacity and performance.
 1. Designed for operation on a single 208 VAC, Single phase, 60Hz power connection. Heater voltage shall be shown on the project drawings.
 2. Installed with isolation valves to isolate the heater for replacement of the element without draining the engine cooling system or significant coolant loss.
 3. Provided with a 24VDC thermostat, installed at the engine thermostat housing

- G. Governor: Adjustable isochronous, with speed sensing. The governing system dynamic capabilities shall be controlled as a function of engine coolant temperature to provide fast, stable operation at varying engine operating temperature conditions. The control system shall actively control the fuel rate as appropriate to the state of the engine generator. Fuel rate shall be regulated as a function of starting, accelerating to start disconnect speed, accelerating to rated speed, and operating in various isochronous states.
- H. Cooling System: Closed loop, liquid cooled
 - 1. The generator set manufacturer shall provide prototype test data for the specific hardware proposed demonstrating that the machine will operate at rated standby load in an outdoor ambient condition of 50 deg C.
 - 2. Coolant: Solution of 50 percent ethylene-glycol-based antifreeze and 50 percent water, with anticorrosion additives as recommended by engine manufacturer.
 - 3. Size of Radiator overflow tank: Adequate to contain expansion of total system coolant from cold start to 110 percent load condition.
 - 4. Expansion Tank: Constructed of welded steel plate and rated to withstand maximum closed-loop coolant system pressure for engine used. Equip with gage glass and petcock.
 - 5. Temperature Control: Self-contained, thermostatic-control valve modulates coolant flow automatically to maintain optimum constant coolant temperature as recommended by engine manufacturer.
 - 6. Duct Flange: Generator sets installed indoors shall be provided with a flexible radiator duct adapter flange.
- I. Muffler/Silencer: Selected with performance as required to meet sound requirements of the application, sized as recommended by engine manufacturer and selected with exhaust piping system to not exceed engine manufacturer's engine backpressure requirements. For generator sets with outdoor enclosures the silencer shall be inside the enclosure.
- J. Air-Intake Filter: Engine-mounted air cleaner with replaceable dry-filter element and restriction indicator.
- K. Starting System: 12 or 24V, as recommended by the engine manufacturer; electric, with negative ground.
 - 1. Components: Sized so they will not be damaged during a full engine-cranking cycle with ambient temperature at maximum specified in Part 1 "Project Conditions" Article.
 - 2. Cranking Cycle: As required by NFPA 110 for level 1 systems.
 - 3. Battery Cable: Size as recommended by engine manufacturer for cable length as required. Include required interconnecting conductors and connection accessories.
 - 4. Battery Compartment: Factory fabricated of metal with acid-resistant finish.

5. Battery-Charging Alternator: Factory mounted on engine with solid-state voltage regulation. The battery charging alternator shall have sufficient capacity to re-charge the batteries with all parasitic loads connected within 4 hours after a normal engine starting sequence.
6. Battery Chargers: Unit shall comply with UL 1236, provide fully regulated, constant voltage, current limited, battery charger for each battery bank. It will include the following features:
 - a. Operation: Equalizing-charging rate based on generator set manufacturer's recommendations shall be initiated automatically after battery has lost charge until an adjustable equalizing voltage is achieved at battery terminals. Unit shall then be automatically switched to a lower float-charging mode and shall continue to operate in that mode until battery is discharged again.
 - b. Automatic Temperature Compensation: Adjust float and equalize voltages for variations in ambient temperature from minus 20 deg C to plus 40 deg C to prevent overcharging at high temperatures and undercharging at low temperatures.
 - c. Automatic Voltage Regulation: Maintain constant output voltage regardless of input voltage variations up to plus or minus 10 percent.
 - d. Safety Functions: Sense abnormally low battery voltage and close contacts providing low battery voltage indication on control and monitoring panel. Sense high battery voltage and loss of ac input or dc output of battery charger. Either condition shall close contacts that provide a battery-charger malfunction indication at system control and monitoring panel.
 - e. Provide LED indication of general charger condition, including charging, faults, and modes. Provide a LCD display to indicate charge rate and battery voltage. Charger shall provide relay contacts for fault conditions as required by NFPA110.
 - f. Enclosure and Mounting: NEMA, Type 1, wall-mounted cabinet.

2.5 FUEL OIL STORAGE

- A. Comply with NFPA 30.
- B. Sub Base-Mounted Fuel Oil Tank: Provide a double wall secondary containment type sub base fuel storage tank. The tank shall be constructed of corrosion resistant steel and shall be UL 142 listed and labeled. The fuel tank shall include the following features:
 1. Capacity: Fuel for 24 Hour(s) continuous operation at 100 percent rated power output.
 2. Tank rails and lifting eyes shall be rated for the full dry weight of the tank, genset, and enclosure.
 3. Electrical stub up(s)

4. Normal & emergency vents
5. Lockable fuel fill
6. Mechanical fuel level gauge
7. High and low level switches to indicate fuel level
8. Leak detector switch
9. Sub base tank shall include a welded steel containment basin, sized at a minimum of 110% of the tank capacity to prevent escape of fuel into the environment in the event of a tank rupture.
10. Fill port with overfill prevention valve (OFPV)
11. 5 gallon fill/spill dam or bucket
12. Tank design shall meet the regional requirements for the Project location

2.6 CONTROL AND MONITORING

- A. Engine generator control shall be microprocessor based and provide automatic starting, monitoring, protection and control functions for the unit.
- B. Automatic Starting System Sequence of Operation: When mode-selector switch on the control and monitoring panel is in the automatic position, remote-control contacts in one or more separate automatic transfer switches initiate starting and stopping of generator set. When mode-selector switch is switched to the on position, generator set starts. The off position of same switch initiates generator-set shutdown. (Switches with different configurations but equal functions are acceptable.) When generator set is running, specified system or equipment failures or derangements automatically shut down generator set and initiate alarms. Operation of the local (generator set-mounted) and/or remote emergency-stop switch also shuts down generator set.
- C. Manual Starting System Sequence of Operation: Switching on-off switch on the generator control panel to the on position starts generator set. The off position of same switch initiates generator-set shutdown. When generator set is running, specified system or equipment failures or derangements automatically shut down generator set and initiate alarms. Operation of the local (generator set-mounted) and/or remote emergency-stop switch also shuts down generator set.
- D. Configuration: Operating and safety indications, protective devices, system controls, engine gages and associated equipment shall be grouped in a common control and monitoring panel. Mounting method shall isolate the control panel from generator-set vibration. AC output power circuit breakers and other output power equipment shall not be mounted in the control enclosure.
- E. Indicating and Protective Devices and Controls: As required by NFPA 110 for Level 1 system, and the following:
 1. AC voltmeter (3-phase, line to line and line to neutral values).
 2. AC ammeter (3-phases).

3. AC frequency meter.
4. AC kW output (total and for each phase). Display shall indicate power flow direction.
5. AC kVA output (total and for each phase). Display shall indicate power flow direction.
6. AC Power factor (total and for each phase). Display shall indicate leading or lagging condition.
7. Ammeter-voltmeter displays shall simultaneously display conditions for all three phases.
8. Emergency Stop Switch: Switch shall be a red "mushroom head" pushbutton device complete with lock-out/tag-out provisions. Depressing switch shall cause the generator set to immediately stop the generator set and prevent it from operating.
9. Fault Reset Switch: Supply a dedicated control switch to reset/clear fault conditions.
10. DC voltmeter (alternator battery charging).
11. Engine-coolant temperature gauge.
12. Engine lubricating-oil pressure gauge.
13. Running-time meter.
14. Generator-voltage and frequency digital raise/lower switches. Rheostats for these functions are not acceptable. The control shall adjustment of these parameters in a range of plus or minus 5% of the voltage and frequency operating set point (not nominal voltage and frequency values.) The voltage and frequency adjustment functions shall be disabled when the paralleling breaker is closed.
15. Fuel tank derangement alarm.
16. Fuel tank high-level shutdown of fuel supply alarm.
17. AC Protective Equipment: The control system shall include over/under voltage, reverse kVAR, reverse kW, over load (kW) short circuit, over current, loss of voltage reference, and over excitation shut down protection. There shall be a ground fault alarm for generator sets rated over 1000 amps, overload warning, and overcurrent warning alarm.
18. Status LED indicating lamps to indicate remote start signal present at the control, existing shutdown condition, existing alarm condition, not in auto, and generator set running.
19. A graphical display panel with appropriate navigation devices shall be provided to view all information noted above, as well as all engine status and alarm/shutdown conditions (including those from an integrated engine emission control system). The display shall also include integrated provisions for adjustment of the gain and stability settings for the governing and voltage regulation systems.
20. Panel lighting system to allow viewing and operation of the control when the generator room or enclosure is not lighted.
21. Data Logging: The control system shall log the latest 20 different alarm and shut down conditions, the total number of times each alarm or shutdown has oc-

curred, and the date and time the latest of these shutdown and fault conditions occurred.

22. DC control Power Monitoring: The control system shall continuously monitor DC power supply to the control, and annunciate low or high voltage conditions. It shall also provide an alarm indicating imminent failure of the battery bank based on degraded voltage recover on loading (engine cranking).
23. Paralleling Breaker control switches: The control shall include manual open and close provisions for the paralleling breaker, and LED status lamps indicating whether the breaker is open or closed.

F. Remote Alarm Annunciator: Comply with NFPA 110. An LED labeled with proper alarm conditions shall identify each alarm event and a common audible signal shall sound for each alarm condition.

G. Remote Emergency-Stop Switch: Flush; wall mounted, unless otherwise indicated; and labeled. Push button shall be protected from accidental operation.

2.7 GENERATOR OVERCURRENT AND FAULT PROTECTION

A. Generator Overcurrent Protection: The generator set shall be provided with a UL Listed/CSA Certified protective device that is coordinated with the alternator provided to prevent damage to the generator set on any possible overload or overcurrent condition external to the machine. The protective device shall be listed as a utility grade protective device under UL category NRGU. The control system shall be subject to UL follow-up service at the manufacturing location to verify that the protective system is fully operational as manufactured. Protector shall perform the following functions:

1. Initiates a generator kW overload alarm when generator has operated at an overload equivalent to 110 percent of full-rated load for 60 seconds. Indication for this alarm is integrated with other generator-set malfunction alarms.
2. Under single phase or multiple phase fault conditions, or on overload conditions, indicates an alarm conditions when the current flow is in excess of 110% of rated current for more than 10 seconds.
3. Under single phase or multiple phase fault conditions, operates to switch off alternator excitation at the appropriate time to prevent damage to the alternator.
4. The operator panel shall indicate the nature of the fault condition as either a short circuit or an overload.
5. Senses clearing of a fault by other overcurrent devices and controls recovery of rated voltage to avoid overshoot greater than 120% of nominal voltage.
6. The protective system provided shall not include an instantaneous trip function.

B. Ground-Fault Indication: Comply with NFPA 70, "Emergency System" signals for ground-fault. Integrate ground-fault alarm indication with other generator-set alarm indications.

2.8 GENERATOR, EXCITER, AND VOLTAGE REGULATOR

- A. Comply with NEMA MG 1.
- B. Drive: Generator shaft shall be directly connected to engine shaft. Exciter shall be rotated integrally with generator rotor.
- C. Electrical Insulation: Class H
- D. Temperature Rise: 105 / Class F environment.
- E. Construction shall prevent mechanical, electrical, and thermal damage due to vibration, over speed up to 125 percent of rating, and heat during operation at 110 percent of rated capacity.
- F. Permanent Magnet Generator (PMG) shall provide excitation power for optimum motor starting and short circuit performance.
- G. Enclosure: Drip-proof.
- H. Voltage Regulator: Solid-state type, separate from exciter, providing performance as specified. The voltage regulation system shall be microprocessor-controlled, 3-phase true RMS sensing, full wave rectified, and provide a pulse-width modulated signal to the exciter. No exceptions or deviations to these requirements will be permitted.
- I. Windings: Two-thirds pitch stator winding and fully linked amortisseur winding.
- J. Subtransient Reactance: 10 percent maximum, based on the rating of the engine generator set.

2.9 OUTDOOR GENERATOR-SET ENCLOSURE

- A. Description: Sound Attenuated Steel housing. Multiple panels shall be lockable and provide adequate access to components requiring maintenance. Instruments, control, and battery system shall be mounted within enclosure.
- B. Construction:
 - 1. Louvers: Equipped with bird screen to permit air circulation when engine is not running while excluding birds and rodents.
 - 2. Hinged Doors: With padlocking provisions. Restraint/Hold back hardware to prevent door to keep door open at 180 degrees during maintenance. Rain lips over all doors.
 - 3. Exhaust System:
 - a. Muffler Location: Within enclosure.
 - 4. Hardware: All hardware and hinges shall be stainless steel.

5. Wind Rating: Wind rating shall be 150 mph
 6. Mounting Base: Suitable for mounting on sub-base fuel tank or housekeeping pad.
 7. A weather protective enclosure shall be provided which allows the generator set to operate at full rated load with a static pressure drop equal to or less than 0.5 inches of water.
 8. Inlet ducts shall include rain hoods
- C. Engine Cooling Airflow through Enclosure: Housing shall provide ample airflow for engine generator operation at rated load in an ambient temperature of 50 deg C.
1. Louvers: Fixed-engine, cooling-air inlet and discharge.
 2. Motorized Louvers: At engine cooling-air inlet and discharge. Dampers shall be closed to reduce enclosure heat loss in cold weather when unit is not operating. Dampers shall be of a “fail open” design to allow airflow in the event of failure
- D. Sound Performance: Reduce the sound level of the engine generator while operating at full rated load to a maximum of 85 dBA measured at any location 7 m from the engine generator in a free field environment.
- E. Electrical Provisions
1. Compliance with NEC: Package shall comply with the requirements of the National Electrical Code for all wiring materials and component spacing.
 2. Provide an internally mounted and wired electrical distribution panel to serve the engine generator and enclosure; including:
 - a. 60 amp distribution panelboard connected to a 120/208VAC utility service by the installer.
 - b. Two duplex GFI receptacles, one inside the enclosure, and a weatherproof receptacle on the outside of the enclosure.
 - c. Factory wired normal AC service from the panelboard to the engine coolant heater, alternator heater, and battery charger.
 - d. Interior Lights with Switch: Two three-way switches controlling three AC lamps mounted in vapor tight and gasketed fixtures
 3. External Electrical Connections: All power and control interconnections shall be made within the perimeter of the enclosure.
- F. Site Provisions:
1. Lifting: Complete assembly of engine generator, enclosure, and sub base fuel tank (when used) shall be designed to be lifted into place as a single unit, using spreader bars.

2.10 VIBRATION ISOLATION DEVICES

- A. Vibration Isolation: Generators installed on grade shall be provided with elastomeric isolator pads integral to the generator, unless the engine manufacturer requires use of spring isolation.
 - 1. IBC Compliance: Isolators complying with IBC requirements shall be specified in the equipment documentation, as well as the installation requirements for the unit.

2.11 FINISHES

- A. Indoor and Outdoor Enclosures and Components: Powder-coated and baked over corrosion-resistant pretreatment and compatible primer. Manufacturer's standard color or as directed on the drawings.

2.12 SOURCE QUALITY CONTROL

- A. Prototype Testing: Factory test engine-generator set using same engine model, constructed of identical or equivalent components and equipped with identical or equivalent accessories.
 - 1. Tests: Comply with NFPA 110, Level 1 Energy Converters. In addition, the equipment engine, skid, cooling system, and alternator shall have been subjected to actual prototype tests to validate the capability of the design under the abnormal conditions noted in NFPA110. Calculations and testing on similar equipment which are allowed under NFPA110 are not sufficient to meet this requirement.
- B. Project-Specific Equipment Tests: Before shipment, factory test engine-generator set manufactured specifically for this Project. Perform tests at rated load and power factor. Include the following tests:
 - 1. Test engine generator set manufactured for this Project to demonstrate compatibility and functionality.
 - 2. Full load run.
 - 3. Maximum power.
 - 4. Voltage regulation.
 - 5. Steady-state governing.
 - 6. Single-step load pickup.
 - 7. Simulated safety shutdowns.
 - 8. Provide 14 days' advance notice of tests and opportunity for observation of tests by Owner's representative.

PART 3 - EXECUTION

3.1 INSTALLATION

- A. Comply with packaged engine-generator manufacturers' written installation, application, and alignment instructions and with NFPA 110.
- B. Equipment shall be installed by the contractor in accordance with final submittals and contract documents. Installation shall comply with applicable state and local codes as required by the authority having jurisdiction. Install equipment in accordance with manufacturer's instructions and instructions included in the listing or labeling of UL listed products.
- C. Installation of equipment shall include furnishing and installing all interconnecting wiring between all major equipment provided for the on-site power system. The contractor shall also perform interconnecting wiring between equipment sections (when required), under the supervision of the equipment supplier.
- D. Equipment shall be installed on concrete housekeeping pads. Equipment shall be permanently fastened to the pad in accordance with manufacturer's instructions and seismic requirements of the site.
- E. Equipment shall be initially started and operated by representatives of the manufacturer. All protective settings shall be adjusted as instructed by the consulting engineer.
- F. All equipment shall be physically inspected for damage. Scratches and other installation damage shall be repaired prior to final system testing. Equipment shall be thoroughly cleaned to remove all dirt and construction debris prior to initial operation and final testing of the system.
- G. On completion of the installation by the electrical contractor, the generator set supplier shall conduct a site evaluation to verify that the equipment is installed per manufacturer's recommended practice.

3.2 ON-SITE ACCEPTANCE TEST

- A. The complete installation shall be tested to verify compliance with the performance requirements of this specification following completion of all site work. Testing shall be conducted by representatives of the manufacturer, with required fuel supplied by Contractor. The Engineer shall be notified in advance and shall have the option to witness the tests. The generator set manufacturer shall provide a site test specification covering the entire system. Tests shall include:

- B. Prior to start of active testing, all field connections for wiring, power conductors, and bus bar connections shall be checked for proper tightening torque.
- C. Installation acceptance tests to be conducted on site shall include a "cold start" test, a two hour full load (resistive) test, and a one-step rated load pickup test in accordance with NFPA 110. Provide a resistive load bank and make temporary connections for full load test, if necessary.
- D. Perform a power failure test on the entire installed system. This test shall be conducted by opening the power supply from the utility service, and observing proper operation of the system for at least 2 hours. Coordinate timing and obtain approval for start of test with site personnel.

3.3 TRAINING

- A. The equipment supplier shall provide training for the facility operating personnel covering operation and maintenance of the equipment provided. The training program shall be not less than 4 hours in duration and the class size shall be limited to 5 persons. Training date shall be coordinated with the facility owner.

3.4 FIELD QUALITY CONTROL

- A. Manufacturer's Field Service: Engage a factory-authorized service representative to inspect components, assemblies, and equipment installations, including connections, and to assist in testing.

3.5 SERVICE AND SUPPORT

- A. The generator set supplier shall maintain service parts inventory for the entire power system at a central location which is accessible to the service location 24 hours per day, 365 days per year. The manufacturer of the generator set shall maintain a central parts inventory to support the supplier, covering all the major components of the power system, including engines, alternators, control systems, paralleling electronics, and power transfer equipment.
- B. The generator set shall be serviced by a local service organization that is trained and factory certified in generator set service. The supplier shall maintain an inventory of critical power system replacement parts in the local service location. Service vehicles shall be stocked with critical replacement parts. The service organization shall be on call 24 hours per day, 365 days per year. The service organization shall be physically located within 250 of the site.

- C. The manufacturer shall maintain model and serial number records of each generator set provided for at least 20 years.

3.6 SERVICE AGREEMENT:

- A. The supplier shall include in the base price, a one-year service agreement. The maintenance shall be performed by factory authorized service technicians capable of servicing both the engine generator set and the transfer switch (es). This agreement shall include the following:
 1. Generator supplier must have an in-house rental fleet with equipment sized to back up this project site.
 2. All engine maintenance as recommended by the service manual.
 3. All electrical controls maintenance and calibrations as recommended by the manufacturer.
 4. All auxiliary equipment as a part of the emergency systems.
 5. The supplier shall guarantee emergency service.
 6. All expendable maintenance items are to be included in this agreement.
 7. A copy of this agreement and a schedule shall be given to the Owner at the time of his acceptance, showing what work is to be accomplished and when.

END OF SECTION

SECTION 26 36 23

AUTOMATIC TRANSFER SWITCHES

PART 1 - GENERAL

1.01. RELATED DOCUMENTS

- A. Drawings and general provisions of the Contract, including General and Supplementary Conditions and Division 01 Sections "General Requirements", apply to this Section.

1.02. SUMMARY

- A. This section includes transfer switches rated 600 V and less, including the following:
 - 1. Automatic transfer switches

1.03. SUBMITTALS

- A. Product Data: For each type of product indicated. Include rated capacities, weights, dimensions, operating characteristics, furnished specialties, and accessories.
 - 1. Technical data on all major components of all transfer switches and other products described in this section. Data is required for the transfer switch mechanism, control system, cabinet, and protective devices specifically listed for use with each transfer switch. Include steady state and fault current ratings, weights, operating characteristics, and furnished specialties and accessories.
 - 2. Single-Line Diagram: Show connections between transfer switch, bypass/isolation switch, power sources, and load; and show interlocking provisions for each combined transfer switch and bypass/isolation switch.
 - 3. Network Communications: Provide SCADA RTU register map and scaling factors for each generator and ATS in the system.
- B. Shop Drawings: Dimensioned plans, elevations, sections, and details showing minimum clearances, conductor entry provisions, gutter space, installed features and devices, and material lists for each switch specified.
 - 1. Dimensioned outline drawings of assembly, including elevations, sections, and details including minimal clearances, conductor entry provisions, gutter space, installed features and devices and material lists for each switch specified.
 - 2. Internal electrical wiring and control drawings.

3. Interconnection wiring diagrams, showing recommended conduit runs and point-to-point terminal connections to generator set.
 4. Installation and mounting instructions, including information for proper installation of equipment to meet seismic requirements.
- C. Manufacturer Seismic Qualification Certification: Submit certification that transfer switches accessories, and components will withstand seismic forces. Include the following:
1. Seismic certification, as required for site conditions. Seismic certifications shall be third-party certified, and based on testing. Certification based on calculations does not meet this requirement.
 - a. The term "withstand" means "the unit will remain in place without separation of any parts from the device when subjected to the seismic forces specified and the unit will be fully operational both during and after the seismic event."
 2. Dimensioned Outline Drawings of Equipment Unit: Identify center of gravity and locate and describe mounting and anchorage provisions.
 3. Detailed description of equipment anchorage devices on which the certification is based and their installation requirements.
- D. Manufacturer and Supplier Qualification Data
1. The transfer switch manufacturer shall be certified to ISO 9001 International Quality Standard and shall have third party certification verifying quality assurance in design/development, production, installation, and service, in accordance with ISO 9001.
 2. The manufacturer of this equipment shall have produced similar equipment for a minimum period of 10 years. When requested, an acceptable list of installations with similar equipment shall be provided demonstrating compliance with this requirement.
- E. Operation and Maintenance Data: For each type of product to include in emergency, operation, and maintenance manuals shall be the following:
1. All operational data, sequence of operations, maintenance data and maintenance schedule.
 2. Features and operating sequences, both automatic and manual.

3. List of all factory settings of relays, timers and protective devices; provide setting and calibration instructions where applicable.

F. Warranty documents demonstrating compliance with the project's contract requirements.

1.04. QUALITY ASSURANCE

A. Only approved bidders shall supply equipment provided under this contract.

B. Manufacturer Qualifications: The equipment supplier shall maintain a service center capable of providing training, parts, maintenance and emergency repairs to equipment, including transfer switch generator sets and remote monitoring equipment (if applicable) at the site within a response period of less than (eight hours or appropriate time period designated for project) from time of notification.

1. The transfer switch shall be serviced by technicians employed by, and specially trained and certified by, the generator set supplier and the supplier shall have a service organization that is factory-certified in both generator set and transfer switch service. The supplier shall maintain an inventory of critical replacement parts at the local service organization, and in service vehicles. The service organization shall be on call 24 hours per day, 365 days per year.

2. Submit names, experience level, training certifications, and locations for technicians that will be responsible for servicing equipment at this site.

3. The manufacturer shall maintain model and serial number records of each transfer switch provided for at least 20 years.

C. Source Limitations: All transfer switches are to be obtained through one source from a single manufacturer. The generator set manufacturer shall warrant transfer switches to provide a single source of responsibility for products provided.

D. Electrical Components, Devices, and Accessories: Listed and labeled as defined in NFPA 70, Article 100, by a testing agency acceptable to authorities having jurisdiction, and marked as suitable for use in emergency, legally required or optional standby use as appropriate for the connected load.

E. The automatic transfer switch installation and application shall conform to the requirements of the following codes and standards:

1. Transfer switches and enclosures shall be UL 1008 listed and labeled as suitable for use in emergency, legally required, and optional standby applications.

2. NFPA 70, National Electrical Code. Equipment shall be suitable for use in systems in compliance with Articles 700, 701 and 702.

3. Comply with NEMA ICS 10-1993 AC Automatic Transfer Switches
 4. IBC 2012 - The transfer switch(es) shall be prototype-tested and third-party certified to comply with the requirements of IBC group III or IV, Category D/F. The equipment shall be shipped with the installation instructions necessary to attain installation compliance.
 5. IEEE 446 - Recommended Practice for Emergency and Standby Power Systems for Commercial and Industrial Applications
 6. EN55011, Class B Radiated Emissions and Class B Conducted Emissions
 7. IEC 1000-4-5 (EN 61000-4-5); AC Surge Immunity
 8. IEC 1000-4-4 (EN 61000-4-4) Fast Transients Immunity
 9. IEC 1000-4-2 (EN 61000-4-2) Electrostatic Discharge Immunity
 10. IEC 1000-4-3 (EN 61000-4-3) Radiated Field Immunity
 11. IEC 1000-4-6 Conducted Field Immunity
 12. IEC 1000-4-11 Voltage Dip Immunity
 13. IEEE 62.41, AC Voltage Surge Immunity
 14. IEEE 62.45, AC Voltage Surge Testing
- F. Comply with NFPA 110 - Emergency and Standby Power Systems. The transfer switch shall meet all requirements for Level 1 systems, regardless of the actual circuit level.
- G. The manufacturer shall warrant the material and workmanship of the transfer switch equipment for a minimum of two (2) year from the warranty start date. The warranty start date is the date of registered commissioning and start up or eighteen (18) months from date of shipment, whichever is sooner.
- 1.05. PROJECT CONDITIONS
- A. Interruption of Existing Electrical Service: Do not interrupt electrical service to facilities occupied by Owner or others unless permitted under the following conditions and then only after arranging to provide temporary electrical service:
1. Notify (Owner) no fewer than (7) days in advance of proposed interruption of electrical service.
 2. Do not proceed with interruption of electrical service without (Owner's) written permission.

3. Do not energize any new service or distribution equipment without notification and permission of the (Owner or Owner's Engineer).

1.06. COORDINATION

- A. Size and location of concrete bases and anchor bolt inserts shall be coordinated. Concrete, reinforcement and formwork must meet the requirements specified on civil drawings.

PART 2 - MATERIALS

2.01. MANUFACTURERS

- A. Manufacturers: Subject to compliance with requirements, provide products by one of the following:
 1. Cummins Power Generation
 2. Asco
 3. Or approved equal
- B. Equipment specifications for this Project are based on automatic transfer switches manufactured by Cummins Power Generation. Switches manufactured by Russelectric, ASCO, or approved equal that meet the requirement of this specification are acceptable. Russelectric, ASCO, or approved equal proposals must include a line-by-line compliance statement based on this specification.
- C. Transfer switches utilizing molded case circuit breakers do not meet the requirements of this specification and will not be accepted.

2.02. GENERAL TRANSFER-SWITCH PRODUCT REQUIREMENTS

- A. Provide transfer switches in the number and ratings that are shown on the drawings.
- B. Indicated Current Ratings: Apply as defined in UL 1008 for continuous loading and total system transfer.
- C. Fault-Current Closing and Withstand Ratings: UL 1008 WCR ratings must be specifically listed as meeting the requirements for use with protective devices at installation locations, under specified fault conditions. Withstand and closing ratings shall be based on use of the same set of contacts for the withstand test and the closing test.
 1. For each equipment installation coordinate available fault current with local utility.

- D. Solid-State Controls: All settings should be accurate to +/- 2% or better over an operating temperature range of - 40 to + 60 degrees C (- 40 to + 140 degrees F).
- E. Resistance to Damage by Voltage Transients: Components shall meet or exceed voltage-surge withstand capability requirements when tested according to IEEE C62.41. Components shall meet or exceed voltage-impulse withstand test of NEMA ICS 1.
- F. Electrical Operation: Accomplished by a non-fused, momentarily energized solenoid or electric motor operator mechanism, mechanically and electrically interlocked in both directions (except that mechanical interlock is not required for closed transition switches).
- G. Switch Characteristics: Designed for continuous-duty repetitive transfer of full-rated current between active power sources.
 - 1. Switches using molded-case switches or circuit breakers, or insulated case circuit breaker components are not acceptable.
 - 2. Transfer switches shall be double-throw, electrically and mechanically interlocked, and mechanically held in the Source 1 and Source 2 positions.
 - 3. Main switch contacts shall be high pressure silver alloy. Contact assemblies shall have arc chutes for positive arc extinguishing. Arc chutes shall have insulating covers to prevent inter-phase flashover.
 - 4. Contacts shall be operated by a high-speed electrical mechanism that causes contacts to open or close within three electrical cycles from signal.
 - 5. The power transfer mechanism shall include provisions for manual operation under load with the enclosure door closed. Manual operation may be electromechanical or mechanical, but must be coordinated with control function.
 - 6. Transfer switch shall be provided with flame retardant transparent covers to allow viewing of switch contact operation but prevent direct contact with components that could be operating at line voltage levels.
- H. Control: Transfer switch control shall be capable of communicating with the genset control, other switches and remote programming devices over a high-speed network interface.
- I. Factory wiring: Transfer switch internal wiring shall be composed of pre-manufactured harnesses that are permanently marked for source and destination. Harnesses shall be connected to the control system by means of locking disconnect plug(s), to allow the control system to be easily disconnected and serviced without disconnecting power from the transfer switch mechanism

- J. Terminals: Terminals shall be pressure type and appropriate for all field wiring. Control wiring shall be equipped with suitable lugs, for connection to terminal strips.
- K. Enclosures: All enclosures shall be third-party certified for compliance to NEMA ICS 6 and UL 508, unless otherwise indicated:
 - 1. The enclosure shall provide wire bend space in compliance to the latest version of NFPA70, regardless of the direction from which the conduit enters the enclosure.
 - 2. Exterior cabinet doors shall provide complete protection for the system's internal components. Doors must have permanently mounted key-type lockable latches. Bolted covers or doors are not acceptable.
 - 3. Transfer switches shall be provided in enclosures that are third party certified for their intended environment per NEMA requirements.
 - 4. Transfer switches mounted in a controlled indoor environment shall be provided in NEMA Type 1 enclosures (IEC type IP30).
 - 5. Transfer switches mounted outdoors shall be provided in a NEMA 3R/4 enclosure.

2.03. AUTOMATIC TRANSFER SWITCHES

- A. Comply with requirements for Level 1 equipment according to NFPA 110.
- B. Indicated current ratings:
 - 1. The transfer switch shall be rated 600 VAC, 400 ampere, 3 pole, 65 kaic, and enclosure shall be indoor rated NEMA Type 1. Refer to the project drawings for additional information.
 - 2. Main contacts shall be rated for 600 VAC minimum.
 - 3. Transfer switches shall be rated to carry 100% of rated current continuously in the enclosure supplied, in ambient temperatures of -40 to +60 degrees C (-40 to +140 degrees F), relative humidity up to 95% (non-condensing), and altitudes up to 10,000 feet (3000 meters).
- C. Manual Switch Operation: The power transfer mechanism shall include provisions for manual operation under load with the enclosure door closed. Manual operation may be electromechanical or mechanical, but must be coordinated with control function
- D. Relay Signal: Control shall include provisions for addition of a pre-transfer relay signal, adjustable from 0 to 60 seconds, to be provided if necessary for elevator operation, based on equipment provided for the project.

- E. Transfer switches that are designated on the drawings as 3-pole shall be provided with a neutral bus and lugs. The neutral bus shall be sized to carry 100% of the current designated on the switch rating.

- F. Automatic Transfer Switch Control Features
 - 1. The transfer switch control system shall be configurable in the field for any operating voltage level up to 600 VAC. Voltage sensing shall be monitored based on the normal voltage at the site. Systems that utilize voltage monitoring based on standard voltage conditions that are not field configurable are not acceptable.
 - 2. All transfer switch sensing shall be configurable from an operator panel or from a Windows XP or later PC-based service tool. Designs utilizing DIP switches or other electromechanical devices are not acceptable.
 - 3. The transfer switch shall be configurable to accept a relay contact signal and a network signal from an external device to prevent transfer to the generator service.
 - 4. The transfer switch shall provide a relay contact signal prior to transfer or re-transfer. The time period before and after transfer shall be adjustable in a range of 0 to 60 seconds.
 - 5. The control system shall be designed and prototype tested for operation in ambient temperatures from - 40 degrees C to + 60 degrees C (- 40 to +140 degrees F). It shall be designed and tested to comply with the requirements of the noted voltage and RFI/EMI standards.
 - 6. The control shall have optically isolated logic inputs, high isolation transformers for AC inputs and relays on all outputs, to provide optimum protection from line voltage surges, RFI and EMI.

- G. Transfer Switch Control Panel: The transfer switch shall have a microprocessor-based control with a sealed membrane panel incorporating pushbuttons for operator-controlled functions, and LED lamps for system status indicators. The panel shall also include an alphanumeric display for detailed system information. Panel display and indicating lamps shall include permanent labels.
 - 1. The indicator panel LEDs shall display:
 - a. Which source the load is connected to (Source 1 or Source 2)
 - b. Which source or sources are available
 - c. When switch is not set for automatic operation, the control is disabled or the bypass switch is in use

- d. When the switch is in test/exercise mode
2. The indicator shall have pushbuttons that allow the operator to activate the following functions:
 - a. Activate pre-programmed test sequence
 - b. Override programmed delays, and immediately go to the next operation
 - c. Reset the control by clearing any faults
 - d. Test all of the LEDs by lighting them simultaneously
 3. The alphanumeric digital display shall be vacuum fluorescent-type, clearly visible in both bright sunlight and no-light conditions over an angle of 120 degrees, and shall display the following:
 - a. AC voltage for all phases, normal and emergency
 - b. Source status: connected or not connected.
 4. The display panel shall be password-protected, and allow the operator to view and make adjustments:
 - a. Set nominal voltage and frequency for the transfer switch
 - b. Adjust voltage and frequency sensor operation set points
 - c. Set up time clock functions
 - d. Set up load sequence functions
 - e. Enable or disable control functions including program transition
 - f. View real-time clock data, operation log (hours connected, times transferred, failures) and service history
- H. Control Functions: Functions managed by the control shall include:
1. Software adjustable time delays:
 - a. Engine start (prevents nuisance genset starts in the event of momentary power fluctuation): 0 to 120 seconds (default 3 sec)
 - b. Transfer normal to emergency (allows genset to stabilize before load is transferred): 0 to 120 seconds (default 3 sec)

- c. Re-transfer emergency to normal (allows utility to stabilize before load is transferred from genset): 0 to 30 minutes (default 3 sec)
 - d. Engine cooldown: 0 to 30 minutes (default 10 min)
 - e. Programmed transition: 0 to 60 seconds (default 3 sec) OR an open transition utilizing an in-phase monitor.
2. Undervoltage sensing: three-phase on the normal source, three-phase on the emergency source.
 - a. Pickup: 85 to 98% of nominal voltage (default 90%)
 - b. Dropout: 75 to 98% of nominal voltage (default 90%)
 - c. Dropout time delay: 0.1 to 1.0 seconds (default 0.5 sec)
 - d. Accurate to within +/- 2% of nominal voltage
 3. Over-voltage sensing: three-phase on the normal source, three-phase on the emergency source.
 - a. Pickup: 95 to 99% of dropout setting (default 95%)
 - b. Dropout: 105 to 135% of nominal voltage (default 110%)
 - c. Dropout time delay: 0.5 to 120 seconds (default 3 sec)
 - d. Accurate to within +/- 2% of nominal voltage
 4. Over/under frequency sensing:
 - a. Pickup: +/- 5 to +/-20% of nominal frequency (default 10%)
 - b. Dropout: +/-1% beyond pickup (default 1%)
 - c. Dropout time delay: 0.1 to 15.0 seconds (default 5 sec)
 - d. Accurate to within +/- 0.05 Hz
 5. Voltage imbalance sensing:
 - a. Dropout: 2 to 10% (default 4%)
 - b. Pickup: 90% of dropout
 - c. Time delay: 2.0 to 20 seconds (default 5 sec)

6. Phase rotation sensing:
 - a. Time delay: 100 msec
 7. Loss of single-phase detection:
- I. Control features shall include:
1. Programmable genset exerciser: A field-programmable control shall periodically start and run the generator with or without transferring the load for a preset time period, then re-transfer and shut down the generator after a preset cool-down period.
 2. In event of a loss of power to the control, all control settings, real-time clock setting and the engine start-time delay setting will be retained.
 3. The system continuously logs information including the number of hours each source has been connected to the load, the number of times transferred, and the total number of times each source has failed. An event recorder stores information, including time and date-stamp, for up to 50 events.
 4. Re-Transfer Inhibit Input: Inhibits automatic re-transfer control so automatic transfer switch will remain connected to emergency power source as long as it is available regardless of condition of normal source.
 5. Transfer Inhibit Input: Inhibits automatic transfer control so automatic transfer switch will remain connected to normal power source regardless of condition of emergency source.
- J. Control Interface
1. Provide one set Form C auxiliary contacts on both sides, operated by transfer switch position, rated 10 amps 250 VAC.
 2. The transfer switch shall be provided with a network communication card, and configured to allow network-based communication with the transfer switch and other network system components, including the generator set(s) and remote annunciator(s) provided for the Project. Provide the required network communications modules needed for Modbus RTU protocol over Ethernet TCP/IP for interconnection with the facility SCADA system.
 3. Unassigned Auxiliary Contacts: Two normally open, 1-pole, double-throw contacts for each switch position, rated 10A at 240 VAC.

K. Engine Starting Contacts

1. One isolated and normally closed pair of contacts rated 10A at 32 VDC minimum.

PART 3 - EXECUTION

3.01. INSTALLATION

- A. Design each fastener and support to carry load indicated by seismic requirements and according to seismic-restraint details.
- B. Wall-Mounting Switch: Anchor to wall by bolting. Refer to details in drawing package for enclosure mounting.
- C. Set field-adjustable intervals and delays, relays, and engine exerciser clock.
- D. Provide certification of IBC Seismic compliance

3.02. CONNECTIONS

- A. Wiring to Remote Components: Match type and number of cables and conductors to control and communication requirements of transfer switches as recommended by manufacturer. Increase raceway sizes at no additional cost to Owner if necessary to accommodate required wiring.
- B. Field control connections shall be made on a common terminal block that is clearly and permanently labeled.
- C. Transfer switch shall be provided with AL/CU mechanical lugs sized to accept the full output rating of the switch. Lugs shall be suitable for the number and size of conductors shown on the drawings.

3.03. SOURCE QUALITY CONTROL

- A. Prior to shipping, factory shall test and inspect components, assembled switches, and associated equipment to ensure proper operation.
- B. Factory shall check transfer time and voltage, frequency, and time-delay settings for compliance with specified requirements.
- C. Factory shall perform dielectric strength test complying with NEMA ICS 1.

3.04. FIELD QUALITY CONTROL

- A. Manufacturer's Field Service: The supplier of the transfer switch(es) and associated equipment shall inspect, test, and adjust components, assemblies, and equipment installations, including connections, and report results in writing.
- B. After installing equipment and after electrical circuitry has been energized, installer shall test for compliance with requirements.
 - 1. Perform recommended installation tests as recommended in manufacturer's installation and service manuals.
 - 2. After energizing circuits, demonstrate interlocking sequence and operational function for each switch.
 - a. Simulate power failures of normal source to automatic transfer switches and of emergency source with normal source available.
 - b. Verify time-delay settings.
 - c. Verify that the transfer switch is accurately metering AC voltage.
 - d. Test bypass/isolation unit functional modes and related automatic transfer-switch operations.
 - e. Verify proper sequence and correct timing of automatic engine starting, transfer time delay, retransfer time delay on restoration of normal power, and engine cool-down and shutdown.
- C. Infrared Scanning: After Substantial Completion, but not more than 60 days after Final Acceptance, perform an infrared scan of each switch. Remove all access panels so joints and connections are accessible to portable scanner.
 - 1. Follow-up Infrared Scanning: Perform an additional follow-up infrared scan of each switch 11 months after date of Substantial Completion.
 - 2. Instrument: Use an infrared scanning device designed to measure temperature or to detect significant deviations from normal values. Provide calibration record for device.
 - 3. Record of Infrared Scanning: Prepare a certified report that identifies switches checked and that describes scanning results. Include notation of deficiencies detected, remedial action taken, and observations after remedial action.

3.05. DEMONSTRATION

- A. After generator set installation, the generator and transfer switch supplier shall conduct a complete operation, basic maintenance, and emergency service seminar covering generator set and transfer switch equipment, for up to 10 people employed by the Owner.
 - 1. The seminar shall include instruction on operation of the transfer equipment, normal testing and exercise, adjustments to the control system, use of the PC based service and maintenance tools provided under this contract, and emergency operation procedures.
 - 2. The class duration shall be at least 8 hours in length, and include practical operation with the installed equipment.

3.06. SERVICE AND SUPPORT

- A. The manufacturer shall supply the Service Provider with a complete set of the service and maintenance software required to support the product. The software shall be provided at a training class attended by the user, to qualify the user in proper use of the software. The software shall have the following features and capabilities:
 - 1. The software shall allow adjustment of all functions described herein, adjustment of operating levels of all protective functions, and programming of all optional functions in the controller. Adjustments shall be possible over modem from a facility that is remote from the generator set.
 - 2. The software shall be capable of storing and displaying data for any function monitored by the generator set control. This data shall be available in common file formats, and on graphical "strip chart" displays.
 - 3. The software shall automatically record all control operations and adjustments performed by any operator or software user, for tracking of changes to the control.
 - 4. The software shall display all warning, shutdown, and status changes programmed into transfer switch controller. For each event, the control shall provide information on the nature of the event, when it last occurred, and how many times it has occurred.

END OF SECTION

LOW TENSION AND SIGNAL

- WALL MOUNTED COMBINATION DATA PORT GENERAL NETWORK / PLANT NETWORK
- WALL MOUNTED DATA PORT
- UTILITY COLUMN MOUNTED DATA PORT
- FLOOR MOUNTED DATA PORT
- CEILING MOUNTED SPEAKER F-FLUSH MTD. S-SURFACE MTD.
- WALL MOUNTED SPEAKER
- SPEAKER HORN
- PUSH BUTTON
- BELL
- BUZZER
- CARD READER
- WIRELESS ACCESS POINT

LIGHTING

- CEILING MOUNTED FIXTURE TYPE:1 PANEL:A-B SWITCH-b CIRCUIT-2
- WALL MOUNTED FIXTURE
- SURFACE MTD. FLUORESCENT FIXTURE
- WALL MTD. FLUORESCENT FIXTURE
- RECESSED FLUORESCENT FIXTURE
- INDICATOR LIGHT
- EXIT LIGHT: WALL OR SURFACE MOUNT, ARROW AS (ARROW AS INDICATED ON DRAWINGS)
- EMERGENCY LIGHT
- WALL MOUNTED FLOODLIGHTS
- POLE MOUNTED FLOODLIGHTS
- PHOTOCCELL
- TIME CLOCK CONTROLLED CEILING MTD. RECESSED EMERG. BATTERY PACK

CONDUIT AND WIRING

- SURFACE MOUNTED PANEL
- FLUSH MOUNTED PANEL
- CONDUIT (RUN IN WALLS, CEILING, OR ABOVE GRADE)
- CONDUIT (RUN IN SLAB, UNDERGROUND OR BEHIND OBSTRUCTION)
- CONDUIT (CAPPED)
- CONDUIT (TURNS AS INDICATED)
- FLEX CONDUIT (NOT ALWAYS SHOWN)
- GROUND CONDUCTOR

— UGE — UNDERGROUND CONCRETE ENCASED DUCTBANK

DETAIL CROSS REFERENCE

SINGLE LINE & SCHEMATIC

- POTHEAD OR CABLE/BUS-JUNCTION
- CAPACITOR
- POWER TRANSFORMER
- POWER CIRCUIT BREAKER
- LOW VOLTAGE CIRCUIT BREAKER
- LOAD BREAK SWITCH
- FUSED DISCONNECT SWITCH
- FUSED DISCONNECT (AIR)
- FUSE
- GROUND ROD
- GROUND TEST WELL
- FUSE LINK
- BUSDUCT
- POTENTIAL TRANSFORMER
- CURRENT TRANSFORMER
- ZERO SEQUENCE CURRENT TRANSFORMER
- BUSHING TYPE CURRENT TRANSFORMER
- DISCONNECT DRAW-OUT TYPE TEST BLOCK
- WITHDRAW
- GROUND CONNECTION
- BOLTED CONNECTION THERMAL OVERLOAD. IF 'E' IS SHOWN - SOLID STATE OVERLOAD
- INCOMING LINE
- OUTGOING LINE
- KEY INTERLOCK
- TRANSFORMER CONNECTION
- ARRESTOR
- PHASE
- EMERGENCY STOP
- NORMALLY CLOSED PUSHBUTTON
- NORMALLY OPEN PUSHBUTTON
- TEMPERATURE SWITCH
- NO ON TIME DELAY SWITCH
- NC ON TIME DELAY SWITCH
- CONTACTOR:NORMALLY CLOSED

|| CONTACTOR: NORMALLY OPEN

HEATER

FLOAT SWITCH

PRESSURE SWITCH (CLOSING ON RISING PRESSURE)
 PRESSURE SWITCH (OPENING ON RISING PRESSURE)

ANALOG SIGNAL

DIGITAL SIGNAL

MOTORS AND CONTROL

- MOTOR CONTROL CENTER
- COMBINATION STARTER
- FUSED DISCONNECT SWITCH
- UNFUSED DISCONNECT SWITCH
- MANUAL MOTOR STARTER P-c/w PILOT LIGHT K-KEY OPERATED
- THERMOSTAT
- EXHAUST FAN
- RESISTANCE TEMPERATURE DETECTOR
- MOTOR
- GENERATOR

OUTLETS AND DEVICES

- WALL MTD. DUPLEX RECEPTACLE (CCT. A-B-1)
- DOUBLE DUPLEX RECEPTACLE
- SPECIAL PURPOSE RECEPTACLE
- SPLIT FED RECEPTACLE
- SPECIAL RECEPTACLE E - EMERGENCY G - GROUND H - HOUSEKEEPING S - SAFETY IP- ISOLATED POWER IG- ISOLATED GROUND
- UTILITY COLUMN MTD. RECEPTACLE
- FLOOR MOUNTED RECEPTACLE 20 AMPS
- SWITCH (X:SWITCH LABEL; Y: 3-3 WAY, 4-4 WAY, Y:T TIMED SWITCH) SINGLE POLE SWITCH (X:SWITCH LABEL)
- WALL MOUNTED JUNCTION BOX
- WALL MOUNTED SINGLE FACED CLOCK
- WALL MOUNTED CLOCK OUTLET
- SECURITY CAMERA

GENERAL NOTES:

- INFORMATION SHOWN ON THE DRAWINGS IS DIAGRAMTIC. DATA PRESENTED ON THE DRAWINGS IS AS ACCURATE AS PLANNING CAN DETERMINE, BUT ACCURACY IS NOT GUARANTEED AND FIELD VERIFICATION OF ALL DIMENSIONS, LOCATIONS, LEVELS, ETC., TO BEST SUIT FIELD CONDITIONS IS REQUIRED. REVIEW ALL ARCHITECTURAL, CIVIL, STRUCTURAL AND MECHANICAL DRAWINGS AND ALL SPECIFICATIONS AND ADJUST ALL WORK TO CONFORM TO ALL CONDITIONS SHOWN THEREIN.
- WHERE WIRE AND CABLE ROUTING IS NOT SHOWN, AND DESTINATION ONLY IS INDICATED, DETERMINE EXACT ROUTING AND LENGTHS REQUIRED BY FIELD VERIFICATION.
- THE CITY OF GRAND JUNCTION SHALL BE RESPONSIBLE FOR PROCURING THE FOLLOWING EQUIPMENT:
 - VFD MCC
 - RAW SEWAGE VFD #1 & #2
 - MCC-11
 - PANELBOARD HP11 & LP11
 - 15KVA TRANSFORMER
 - 400A AUTOMATIC TRANSFER SWITCH
 - 500KW GENERATOR

ABBREVIATIONS:

#	NUMBER	MAU	MAKEUP AIR UNIT
A	AMPS (AMPERES)	MCC	MOTOR CONTROL CENTER
ABBR	ABBREVIATION	MCP	MOTOR CIRCUIT PROTECTOR
AC	ALTERNATING CURRENT	MDF	MAIN DISTRIBUTION FRAME
A/C	AIR CONDITIONING	MDP	MAIN DISTRIBUTION PANEL
AFF	ABOVE FINISHED FLOOR	MH	MAN HOLE
AFG	ABOVE FINISHED GRADE	MM	MULTIMODE
AHU	AIR HANDLING UNIT	MOV	MOTOR OPERATED VALVE
AIC	AMPS INTERRUPTING CURRENT	MUX	MULTIPLEXER
ATS	AUTOMATIC TRANSFER SWITCH	MSH	MOTOR SPACE HEATER
AUTO	AUTOMATIC	MTS	MOTOR TEMPERATURE SWITCH
AUX	AUXILIARY	N	NEUTRAL
AWG	AMERICAN WIRE GAUGE	NC	NORMALLY CLOSED
BATT	BATTERY	NEC	NATIONAL ELECTRIC CODE
BFC	BELOW FINISHED CEILING	NEMA	NATIONAL ELECTRIC MANUFACTURES ASSOCIATION
BFF	BELOW FINISHED FLOOR	NIC	NOT IN CONTRACT
BFG	BELOW FINISHED GRADE	NO	NORMALLY OPEN
C	CONDUIT	NTS	NOT TO SCALE
CAP	CAPACITOR	O/L	OVERLOAD
CB	CIRCUIT BREAKER	OS	OCCUPANCY SENSOR
CKT	CIRCUIT	PB	PULL BOX
CO	CONDUIT ONLY	PH, Ø	PHASE
COMM	COMMUNICATION	PLC	PROGRAMMABLE LOGIC CONTROLLER
CR	CONTROL RELAY	PR	PAIR
CS	CONTROL STATION	PRI	PRIMARY
CT	CURRENT TRANSFORMER	PSS	PANIC SHUTDOWN SYSTEM
CU	COPPER	PVC	POLYVINYL CHLORIDE
DC	DIRECT CURRENT	QTY	QUANTITY
DCS	DISTRIBUTED CONTROL SYSTEM	REC	RECEPTACLE
DISC	DISCONNECT	RGS	RIGID GALVANIZED STEEL CONDUIT
DS	DOOR SWITCH	RMS	ROOT MEAN SQUARE
DWG	DRAWING	RM	ROOM
E	EXISTING	RTU	REMOTE TERMINAL UNIT
E-STOP	EMERGENCY STOP	SDBC	SOFT DRAWN BARE COPPER
EF	EXHAUST FAN	SEC	SECONDARY
EM	EMERGENCY	SPD	SURGE PROTECTION DEVICE
EMT	ELECTRICAL METALLIC TUBING CONDUIT	SS	SOFT START
F	FUSE	ST	SHUNT TRIP
FA	FIRE ALARM	SW	SWITCH
FACP	FIRE ALARM CONTROL PANEL	SWBD	SWITCHBOARD
FATC	FIRE ALARM TERMINATION CABINET	SWGR	SWITCHGEAR
FBO	FURNISHED BY OWNER	SHD	SHIELD
FLA	FULL LOAD AMPS	T, XFMR	TRANSFORMER
FLEX	FLEXIBLE METAL CONDUIT	TD	TIME DELAY RELAY
FLMC	FLEXIBLE LIQUIDTIGHT METALLIC CONDUIT	TC	TRAY CABLE OR TIME CLOCK
FO	FIBER OPTIC	TVSS	TRANSIENT VOLTAGE SURGE SUPPRESSION
FREQ	FREQUENCY	TYP	TYPICAL
FVR	FULL VOLTAGE REVERSING	UG	UNDERGROUND
FVNR	FULL VOLTAGE NON-REVERSING	UH	UNIT HEATER
G	GROUND	UL	UNDERWRITER LABORATORY
GFCI	GROUND FAULT CIRCUIT INTERRUPTER	UON	UNLESS OTHERWISE NOTED
GRC	GALVANIZED RIGID CONDUIT	UPS	UNINTERRUPTIBLE POWER SUPPLY
HH	HAND HOLE	V	VOLT
HMI	HUMAN TO MACHINE INTERFACE	VA	VOLTAMPERES
IDF	INTERMEDIATE DISTRIBUTION FRAME	VFD	VARIABLE FREQUENCY DRIVE
IDS	INTRUSION DETECTION SYSTEM	W	WATTS
IG	ISOLATED GROUND	WP	WEATHERPROOF AND IN-USE COVER
LAN	LOGICAL AREA NETWORK	WT	WATERTIGHT
LC	LIGHTING CONTACTOR		
LTG	LIGHTING		

Appendix B

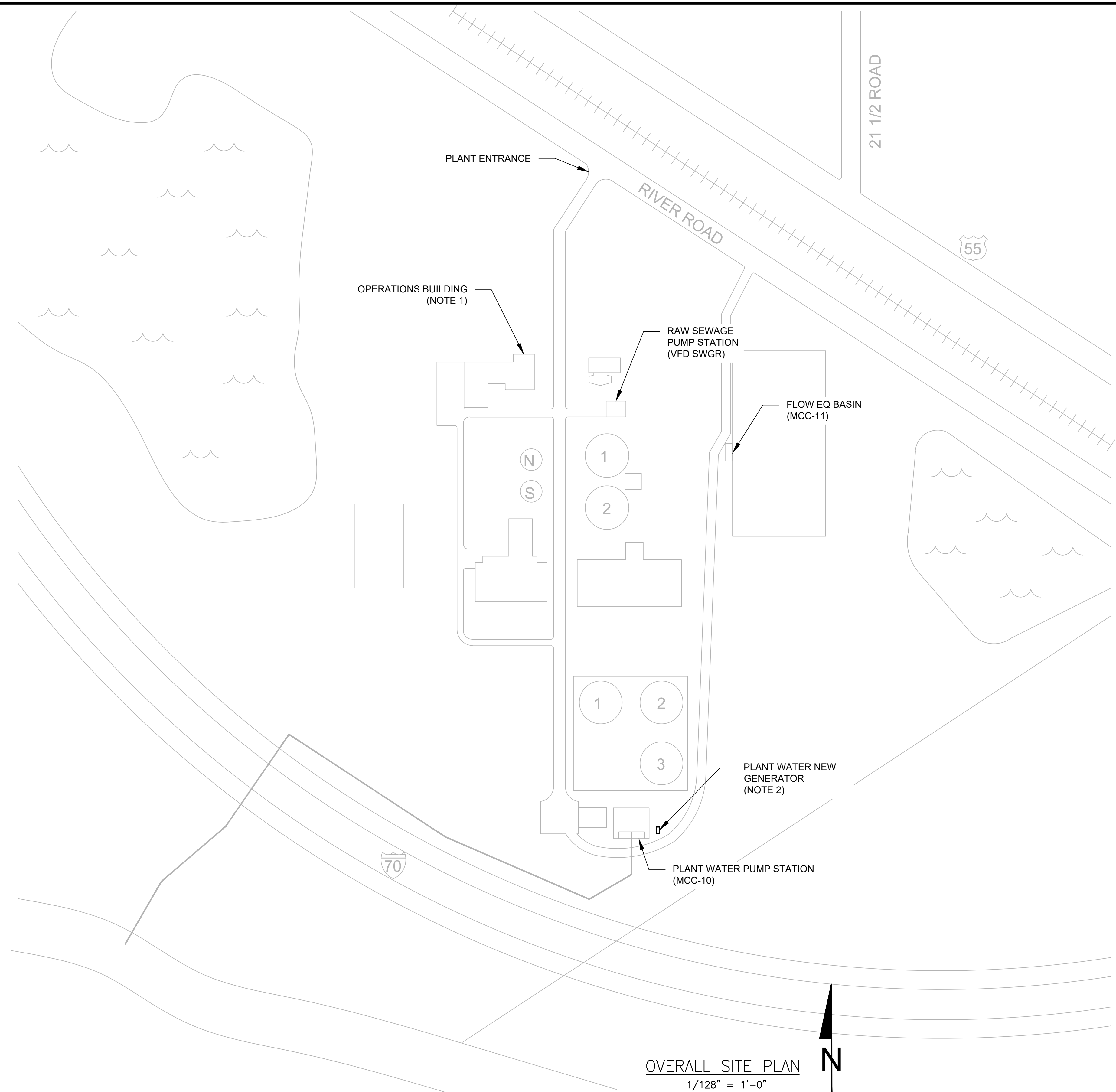
SPECIAL AREA DESIGNATIONS

THE DESIGNATIONS BELOW ARE LOCATED ON THE ELECTRICAL DRAWINGS TO DEFINE INSTALLATION REQUIREMENTS FOR THAT AREA. DESIGNATIONS ARE LOCATED WITHIN THE ROOM. ALL INDOOR AREAS NOT INDICATED BELOW ARE CLASSIFIED TYPE 1 AND MINIMUM NEMA TYPE 1 ENCLOSURES.

- INDOOR WET LOCATIONS; VAULTS, HOSEDOWN, BASEMENTS, ETC. MINIMUM TYPE 4 ENCLOSURES FOR EQUIPMENT AND GASKETED FITTINGS FOR ALL CONDUITS.
- CORROSIVE STORAGE AND CHEMICAL FEED AREAS. CONDUIT SYSTEMS SHALL BE RIGID STEEL CONDUIT AND ACCESSORIES. ENCLOSURES AND BOXES SHALL BE TYPE 4X 316 STAINLESS STEEL.
- CORROSIVE STORAGE AND CHEMICAL FEED AREAS. CONDUIT SYSTEMS SHALL BE PVC-COATED RIGID STEEL CONDUIT AND ACCESSORIES. ENCLOSURES AND BOXES SHALL BE TYPE 4X PLASTIC.

- INDOOR, DRY, DIRTY AREAS, DUSTY. ENCLOSURES AND EQUIPMENT SHALL BE MINIMUM TYPE 12 GASKETED.
- CLASS 1, DIVISION 1, GROUP C AND D AS DEFINED BY NEC. ALL EQUIPMENT AND CONDUIT SYSTEMS SHALL BE RATED FOR USE IN THIS AREA.
- CLASS 1, DIVISION 2, GROUP C AND D AS DEFINED BY NEC. ALL EQUIPMENT AND CONDUIT SYSTEMS SHALL BE RATED FOR USE IN THIS AREA.

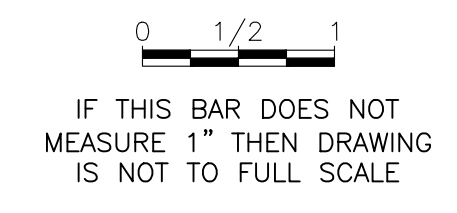
<p>IF THIS BAR DOES NOT MEASURE 1" THEN DRAWING IS NOT TO FULL SCALE</p>				ENGINEERING STAMP:	CLIENT:	SCALE: NTS	LOCATION: PERSIGO	SITE: WASTE WATER PLANT
						DRAWN BY: RL	PROJECT NAME: MCC REPLACEMENT	
						DESIGNED BY: RL	DRAWING TITLE: GENERAL ELECTRICAL SYMBOLS, LEGEND, & ABBREVIATIONS	
					APPROVED BY: JP	PROJECT No. C5041-3	DRAWING No. E-1	SHEET NO. OF SHEET REV. 1 / 0
DRAWING No.	DRAWING TITLE	No.	DESCRIPTION	ISSUED FOR BID	DATE	BY		
REFERENCE DRAWING				REVISION				



- NOTES:
1. EXISTING ETHERNET OVER RADIO ANTENNA AND RECEIVING EQUIPMENT LOCATED AT THE OPERATIONS BUILDING ROOF. CONTRACTOR SHALL COORDINATE WITH OPERATION STAFF ON EXACT LOCATION IN ORDER TO ENSURE COMMUNICATION CAPABILITIES TO FLOW EQ BASIN NEW EQUIPMENT.
 2. EXACT MOUNTING LOCATION OF GENERATOR SHALL BE FIELD COORDINATED WITH PERSIGO OPERATIONS STAFF.

OVERALL SITE PLAN
1/128" = 1'-0"

DRAWING No.	DRAWING TITLE	No.	DESCRIPTION	DATE	BY
	REFERENCE DRAWING	0	ISSUED FOR BID	4/8/2021	RL
			REVISION		



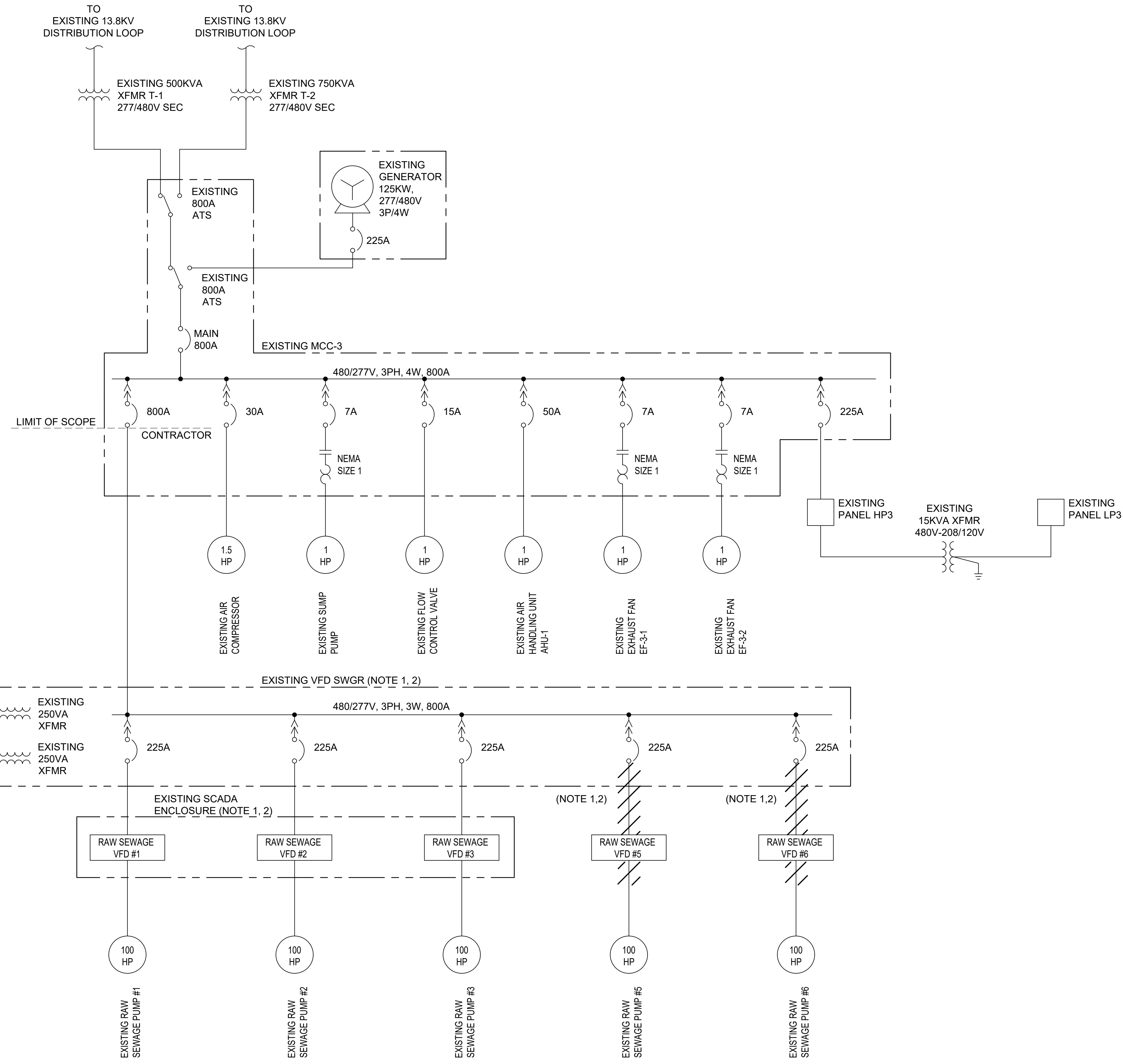
ENGINEERING STAMP:

CLIENT: **CITY OF Grand Junction COLORADO**

CONSULTANT: **MAGNA ENGINEERING**

SCALE:	NTS
DRAWN BY:	RL
DESIGNED BY:	RL
APPROVED BY:	JP

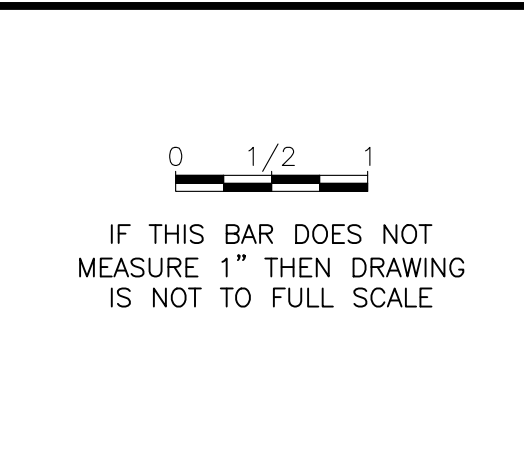
LOCATION:	PERSIGO	SITE:	WASTE WATER PLANT
PROJECT NAME:	MCC REPLACEMENT		
DRAWING TITLE:	OVERALL SITE PLAN		
PROJECT No.	C5041-3	DRAWING No.	E-2
SHEET NO.	2	OF SHEET	0



- NOTES:
1. CONTRACTOR SCOPE SHALL BE TO DISCONNECT & REMOVE THE EXISTING EQUIPMENT, CONDUIT, & CONDUCTORS ASSOCIATED WITH THE EXISTING VFD SWGR BASED ON THE CONSTRUCTION PHASE SEQUENCE ONE-LINES AND DESCRIPTIVE NOTES. THE CONTRACTOR SHALL ENSURE THE PLANT REMAINS OPERATIONAL DURING THE EQUIPMENT REPLACEMENT AND COORDINATE WITH OPERATIONS STAFF PRIOR TO ANY OUTAGES AND EQUIPMENT DOWNTIME. A MINIMUM OF TWO RAW WATER PUMPS SHALL REMAIN OPERATIONAL DURING THE SCOPE OF THE EQUIPMENT REPLACEMENT.
 2. PHASE 1 - THE EXISTING FEEDER CONDUCTORS BETWEEN THE VFD SWGR AND VFDS FOR RAW SEWAGE PUMPS #5 AND #6 SHALL BE DISCONNECTED AND REMOVED AND PUMP CABLES TO INSLAB CONDUIT DISCONNECTED AS SHOWN. THE EXISTING RAW SEWAGE PUMPS #1, #2, & #3 SHALL REMAIN OPERATIONAL AND CONTINUE TO BE SERVED FROM THE EXISTING VFD SWGR.



DRAWING No.	DRAWING TITLE	No.	DESCRIPTION	DATE	BY
	REFERENCE DRAWING		REVISION		



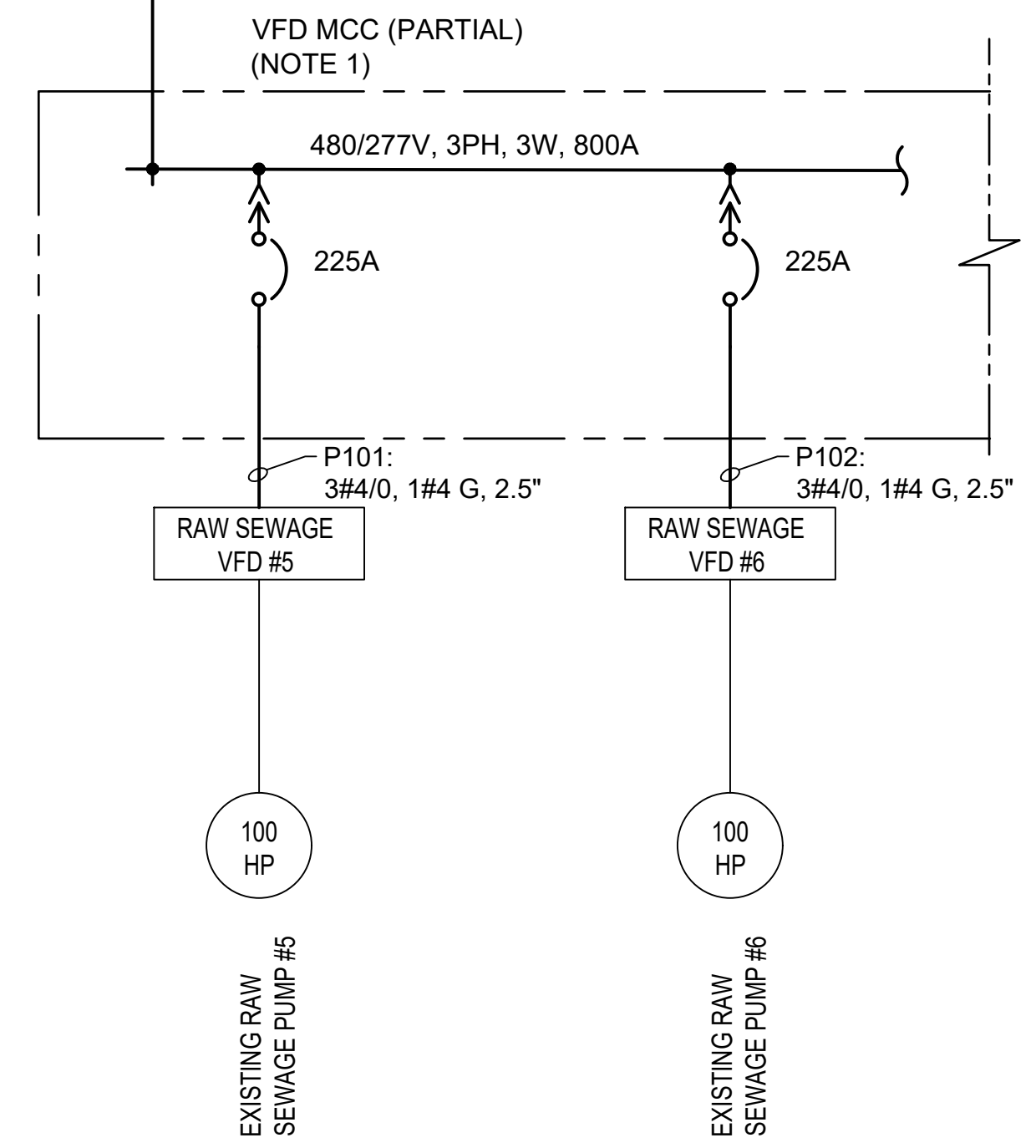
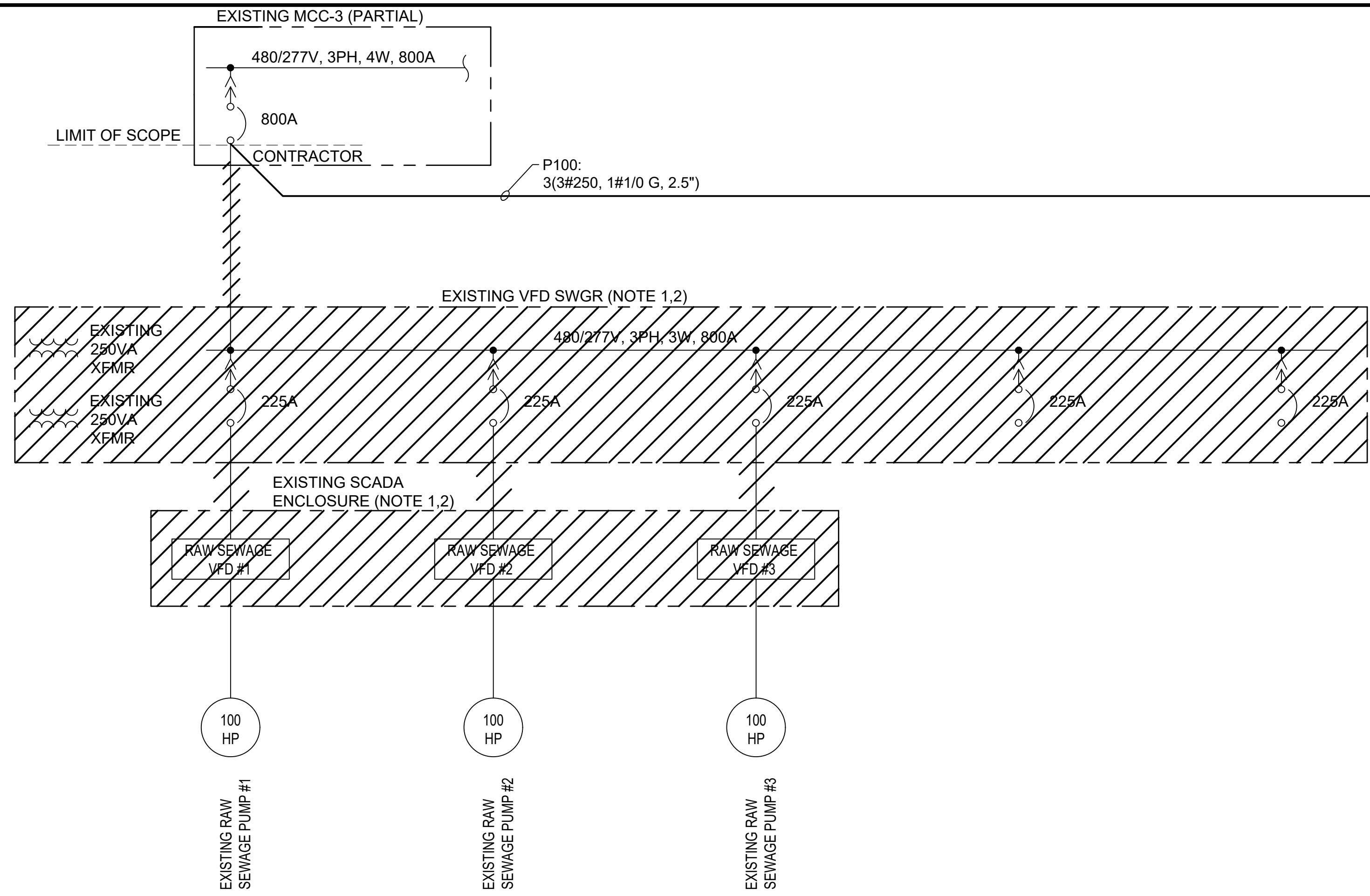
ENGINEERING STAMP:

CLIENT: **CITY OF Grand Junction COLORADO**

CONSULTANT: **MAGNA ENGINEERING**

SCALE:	NTS
DRAWN BY:	RL
DESIGNED BY:	RL
APPROVED BY:	JP

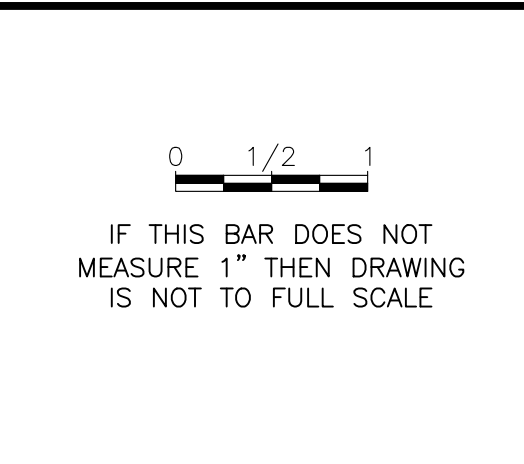
LOCATION:	PERSIGO	SITE:	WASTE WATER PLANT
PROJECT NAME:	MCC REPLACEMENT		
DRAWING TITLE:	RAW SEWAGE MCC PHASE 1 DEMOLITION ONE-LINE DIAGRAM		
PROJECT No.	C5041-3	DRAWING No.	E-3
SHEET NO. OF SHEET	3	REV.	0



- NOTES:
1. PHASE 2 - NEW VFD MCC SHALL BE INSTALLED AS SHOWN ON E-7. THE EXISTING RAW SEWAGE PUMPS #5 & #6 INSLAB CONDUIT & CONDUCTORS SHALL BE INTERCEPTED, EXTENDED, AND REROUTED AS NECESSARY TO THE EXTERNALLY MOUNTED VFDS TO ALLOW FOR REMOVAL OF THE EXISTING VFD SWGR. FEEDERS IN THE NEW VFD MCC SHALL BE SUPPLIED AS SHOWN TO REFEED THE EXISTING VFDS #5 & #6. A TEMPORARY SPLICE SHALL BE MADE TO ALLOW THE EXISTING 800A FEEDER TO SERVE BOTH THE EXISTING SWGR AND NEW VFD MCC. CONTRACTOR SHALL ENSURE RAW SEWAGE PUMPS #5 & #6 ARE OPERATIONAL PRIOR TO REMOVING THE VFD SWGR.
 2. PHASE 2 - THE CONTRACTOR SHALL DISCONNECT AND REMOVE THE EXISTING VFD SWGR, CONDUIT, CONDUCTORS, AND VFDS #1, #2, #3 AS SHOWN.
 3. CONTRACTOR SHALL MODIFY THE EXISTING SCADA ENCLOSURE ONCE VFD'S ARE REMOVED BY REMOVING THE LEFT MOST TWO DOOR SECTIONS AND SEALING THE OPEN SIDE OF THE ENCLOSURE TO REMAIN WITH A WELDED STEEL PANEL AND PAINTED TO MATCH.



DRAWING No.	DRAWING TITLE	No.	DESCRIPTION	DATE	BY
	REFERENCE DRAWING		REVISION		



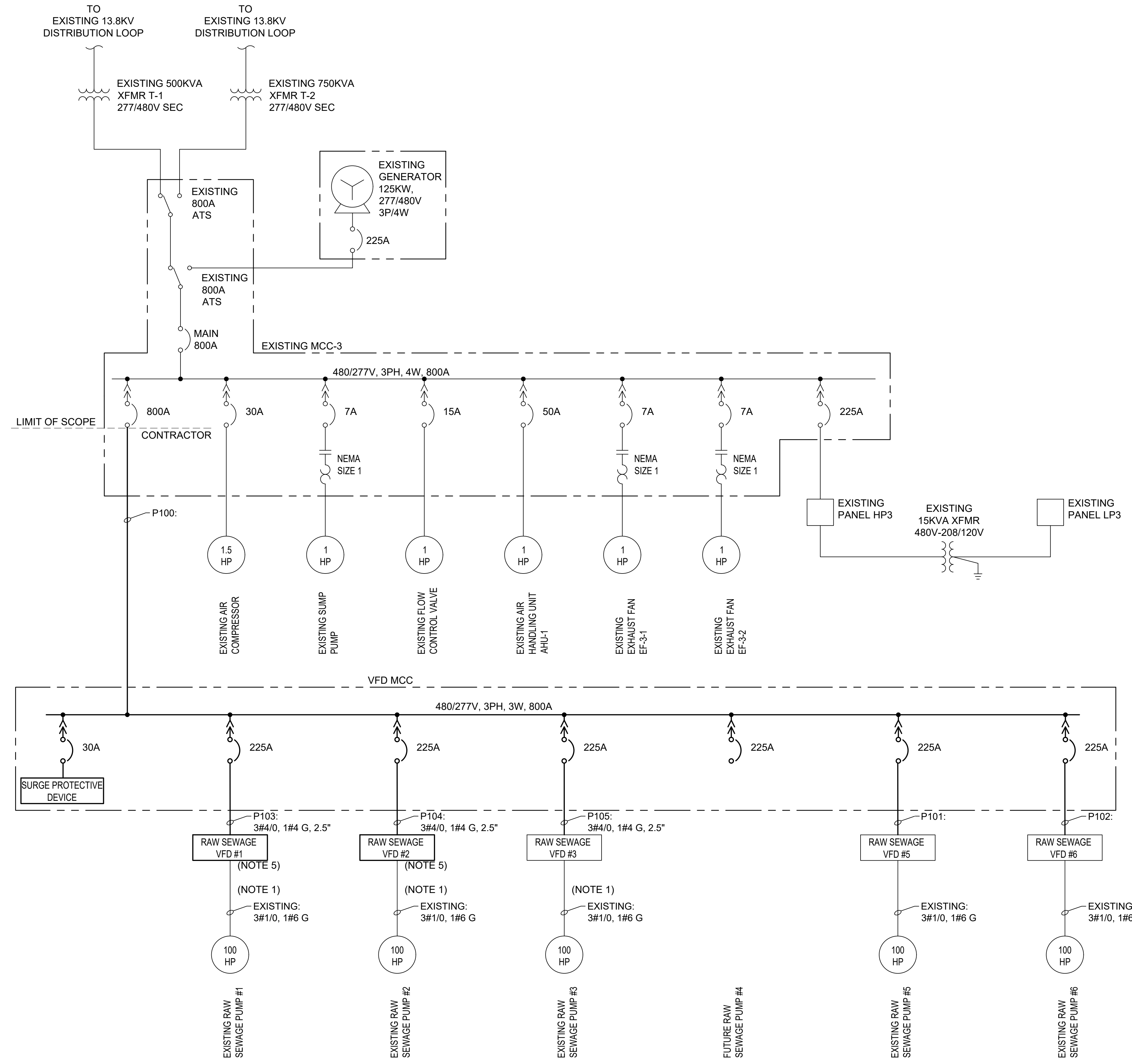
ENGINEERING STAMP:

CLIENT: **CITY OF Grand Junction COLORADO**

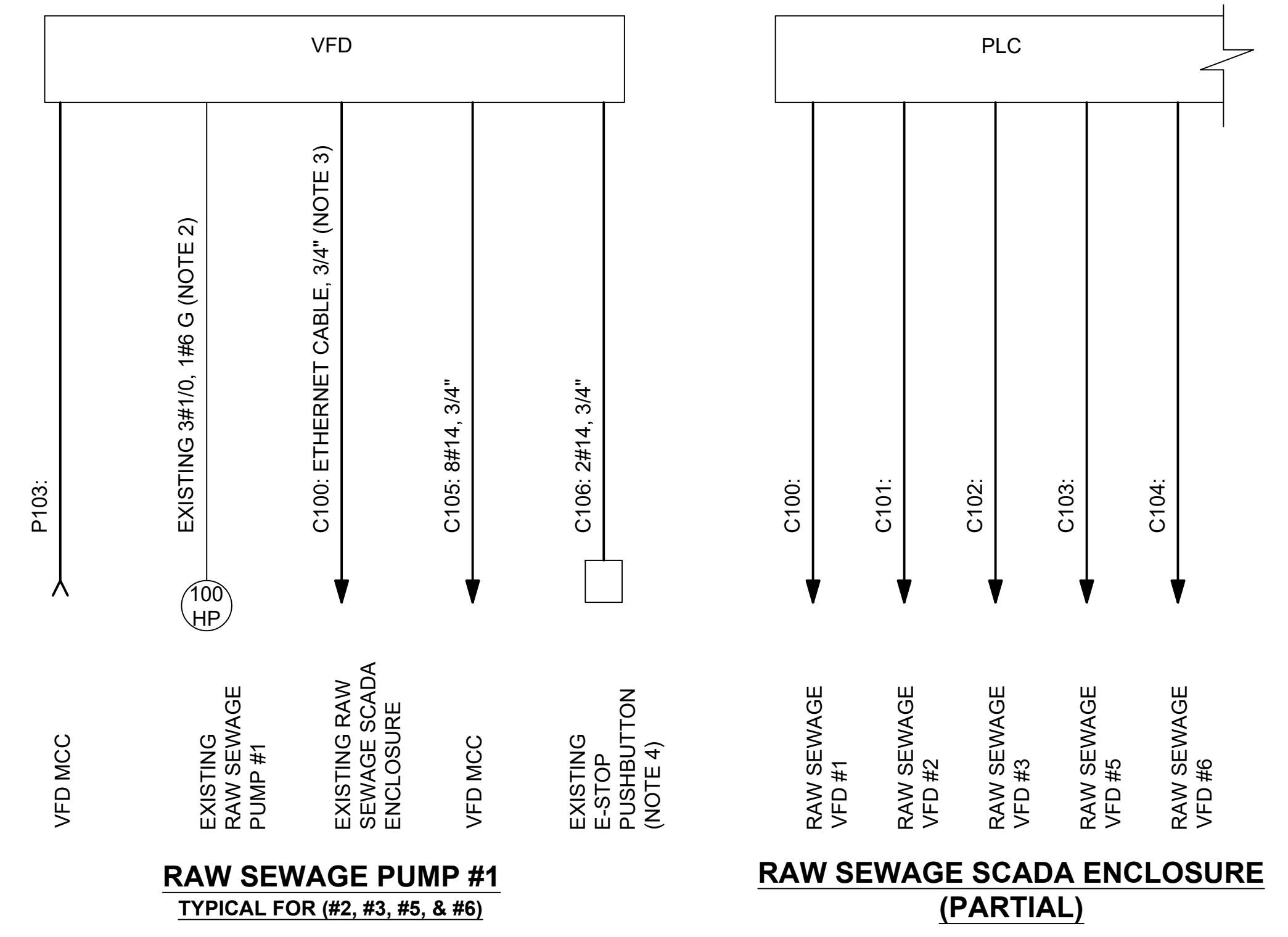
CONSULTANT: **MAGNA ENGINEERING**

SCALE:	NTS
DRAWN BY:	RL
DESIGNED BY:	RL
APPROVED BY:	JP

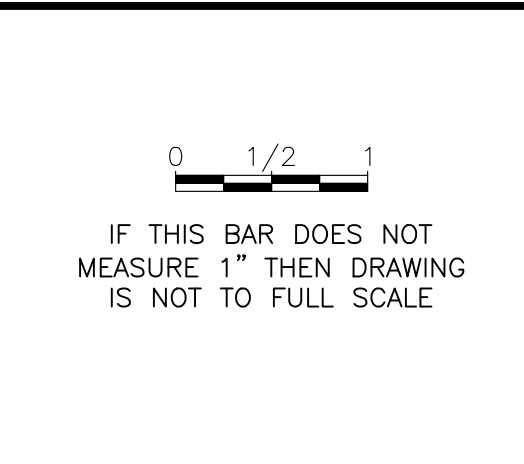
LOCATION:	PERSIGO	SITE:	WASTE WATER PLANT
PROJECT NAME:	MCC REPLACEMENT		
DRAWING TITLE:	RAW SEWAGE MCC PHASE 2 DEMOLITION ONE-LINE DIAGRAM		
PROJECT No.	C5041-3	DRAWING No.	E-4
SHEET NO. OF SHEET REV.	4		0



- NOTES:
1. PHASE 3 - THE EXISTING RAW SEWAGE PUMPS #1, #2, & #3 INSLAB CONDUIT & CONDUCTORS SHALL BE INTERCEPTED AND EXTENDED TO ALLOW FOR REMOVAL OF THE EXISTING VFD SWGR AND ROUTED TO THE RELOCATED VFD #3 AND NEW VFDS #1 & #2. FEEDERS IN THE NEW VFD MCC SHALL BE ROUTED TO THE RELOCATED & NEW VFDS.
 2. CONTRACTOR SHALL FIELD DETERMINE IF EXISTING CABLES CAN BE REUSED. IF DETERMINED DAMAGED CONTRACTOR SHALL REMOVE AND REPLACE ENTIRE LENGTH OF CONDUCTORS TO MOTOR. IF DETERMINED ACCEPTABLE CONTRACTOR SHALL INTERCEPT AND EXTEND EXISTING CONDUIT AND CONDUCTORS. CONTRACTOR SHALL SIZE AND PROVIDE JUNCTION BOXES SUPPLIED WITH TERMINAL BLOCKS FOR EXTENDING CABLES.
 3. CONTRACTOR SHALL FIELD DETERMINE IF EXISTING ETHERNET CABLES CAN BE REUSED. IF DETERMINED DAMAGED OR NOT OF ADEQUATE LENGTH, CONTRACTOR SHALL PROVIDE AND INSTALL NEW COMPATIBLE SHIELDED ETHERNET CABLES AS REQUIRED FOR VFD COMMUNICATION.
 4. CONTRACTOR SHALL FIELD INVESTIGATE THE EXISTING E-STOP WIRING AND CONTACT BLOCK IN ORDER TO ACCOMMODATE A HARDWIRED INTERLOCK SIGNAL TO THE VFD. CONTRACTOR SHALL SUPPLY ADDITIONAL COMPONENTS AS REQUIRED FOR A FULLY FUNCTIONAL SYSTEM TO MATCH DESIGN INTENT.
 5. THE CITY OF GRAND JUNCTION SHALL PROCURE SIEMENS 6SL3210-1PE31-5UL0 WITH BUILT IN HIM MODULE TO REPLACE EXISTING HITACHI DRIVES. DRIVE SHALL BE INSTALLED BY CONTRACTOR.



DRAWING No.	DRAWING TITLE	No.	DESCRIPTION	ISSUED FOR BID	DATE	BY
	REFERENCE DRAWING		REVISION			



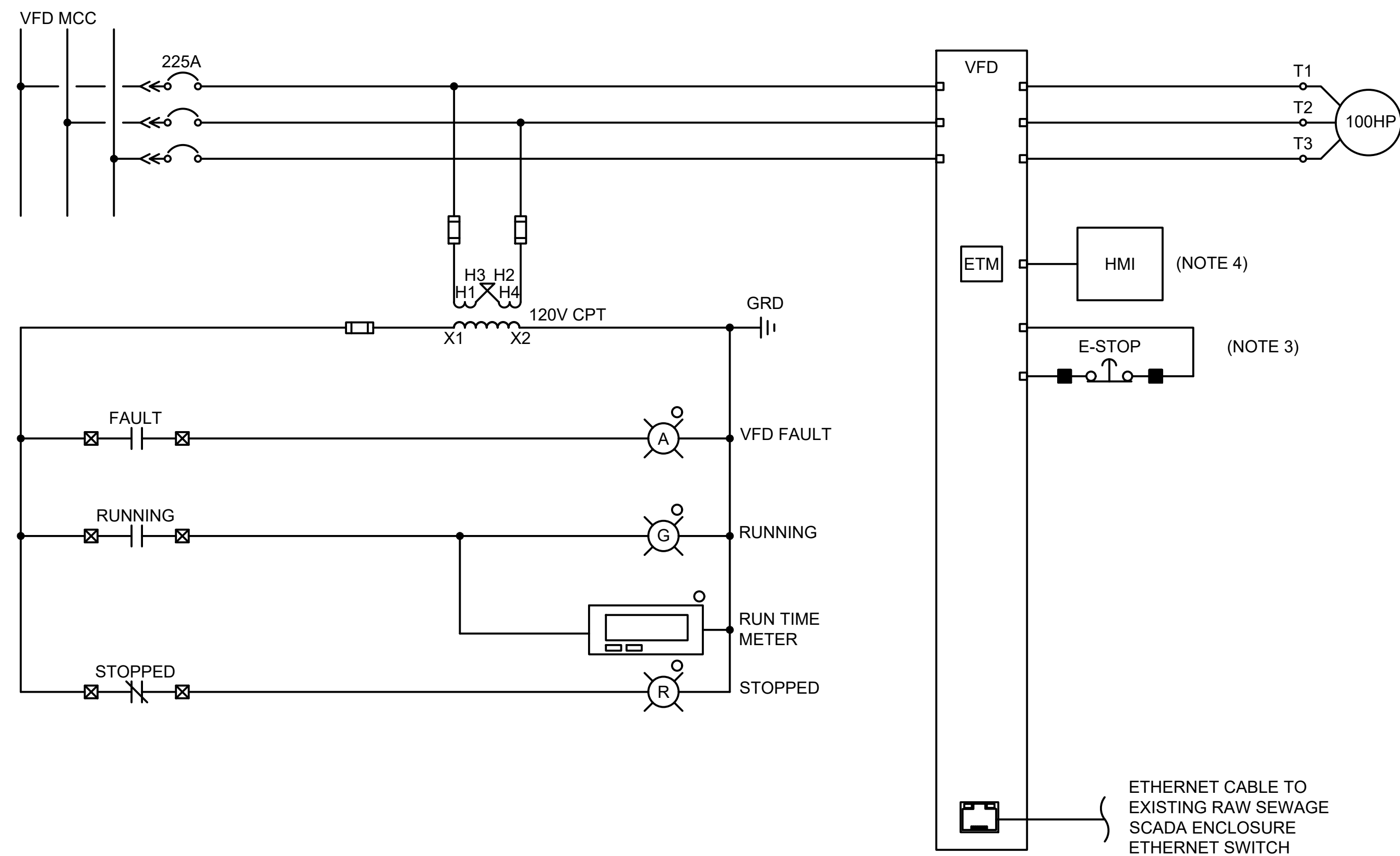
ENGINEERING STAMP:

CLIENT: **CITY OF Grand Junction COLORADO**

CONSULTANT: **MAGNA ENGINEERING**

SCALE:	NTS
DRAWN BY:	RL
DESIGNED BY:	RL
APPROVED BY:	JP

LOCATION:	PERSIGO	SITE:	WASTE WATER PLANT
PROJECT NAME:	MCC REPLACEMENT		
DRAWING TITLE:	RAW SEWAGE MCC PHASE 3 ONE-LINE DIAGRAM		
PROJECT No.	C5041-3	DRAWING No.	E-5
SHEET NO. OF SHEET	5	REV.	0



NOTES:

- UNLESS OTHERWISE INDICATED, ALL DEVICES ARE LOCATED WITHIN THE VFD MCC. DEVICES LOCATED REMOTE FROM THE VFD MCC ARE INDICATED BY THE LEGEND BELOW.
- FURNISH INPUT AND OUTPUT CARDS TO CONTROL VFD AS SHOWN. THE VFD SHALL BE CONTROLLED OVER ETHERNET. WHEN AUTO IS ENABLED FROM THE VFD HIM MODULE, SPEED CONTROL DETERMINED BY ETHERNET INPUT. WHEN HAND MODE IS ENABLED FROM THE VFD HIM MODULE, SPEED CONTROL VIA VFD HIM MODULE.
- THE EXISTING E-STOP LOCATED AT THE PUMPS SHALL BE USED FOR A SAFETY INTERLOCK FOR VFD OPERATION. CONTRACTOR SHALL FIELD DETERMINE HOW TO INTERFACE WITH THE EXISTING E-STOP. CONTRACTOR SHALL SUPPLY ADDITIONAL COMPONENTS AS REQUIRED FOR A FULLY FUNCTIONAL SYSTEM TO MATCH DESIGN INTENT.
- CONTRACTOR SHALL SUPPLY ADDITIONAL ACCESSORIES IN ORDER TO MOUNT EXISTING REMOTE MOUNTED HIM MODULES DIRECTLY TO THE VFD. CONTRACTOR SHALL COORDINATE WITH MANUFACTURE TO ENSURE ALL COMPONENTS ARE SUPPLIED FOR A FULLY FUNCTIONAL SYSTEM.

LEGEND

- EXTERNAL CONNECTION
- INTERNAL CONNECTION
- ☒ TERMINAL IN VFD OR ELECTRONIC OVERLOAD
- CONNECTION POINT
- ▲ LOCATED NEAR MOTOR
- MOUNTED IN VFD MCC ENCLOSURE DOOR

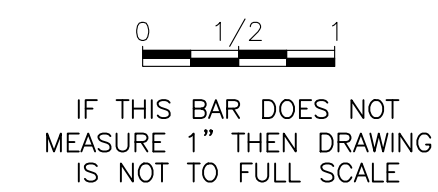
SELECTOR SWITCH				HAND	OFF	REMOTE
CONTACTS						
1	1	2	3	2	4	
5	3	6	7	4	8	

ETHERNET I/O POINTS

- IN AUTO
- COMMUNICATION FAIL
- PHASE LOSS
- LOW VOLTAGE
- LOW SEAL WATER
- RUNNING
- OVERLOAD
- TRIP
- CONTROL POWER
- RESET COMMAND
- CURRENT

RAW SEWAGE PUMP #1 SCHEMATIC
(TYPICAL FOR #2, #3, #5, #6)

DRAWING No.	DRAWING TITLE	No.	DESCRIPTION	DATE	BY
		0	ISSUED FOR BID	4/8/2021	RL
	REFERENCE DRAWING		REVISION		



ENGINEERING STAMP:

CLIENT: **CITY OF Grand Junction COLORADO**

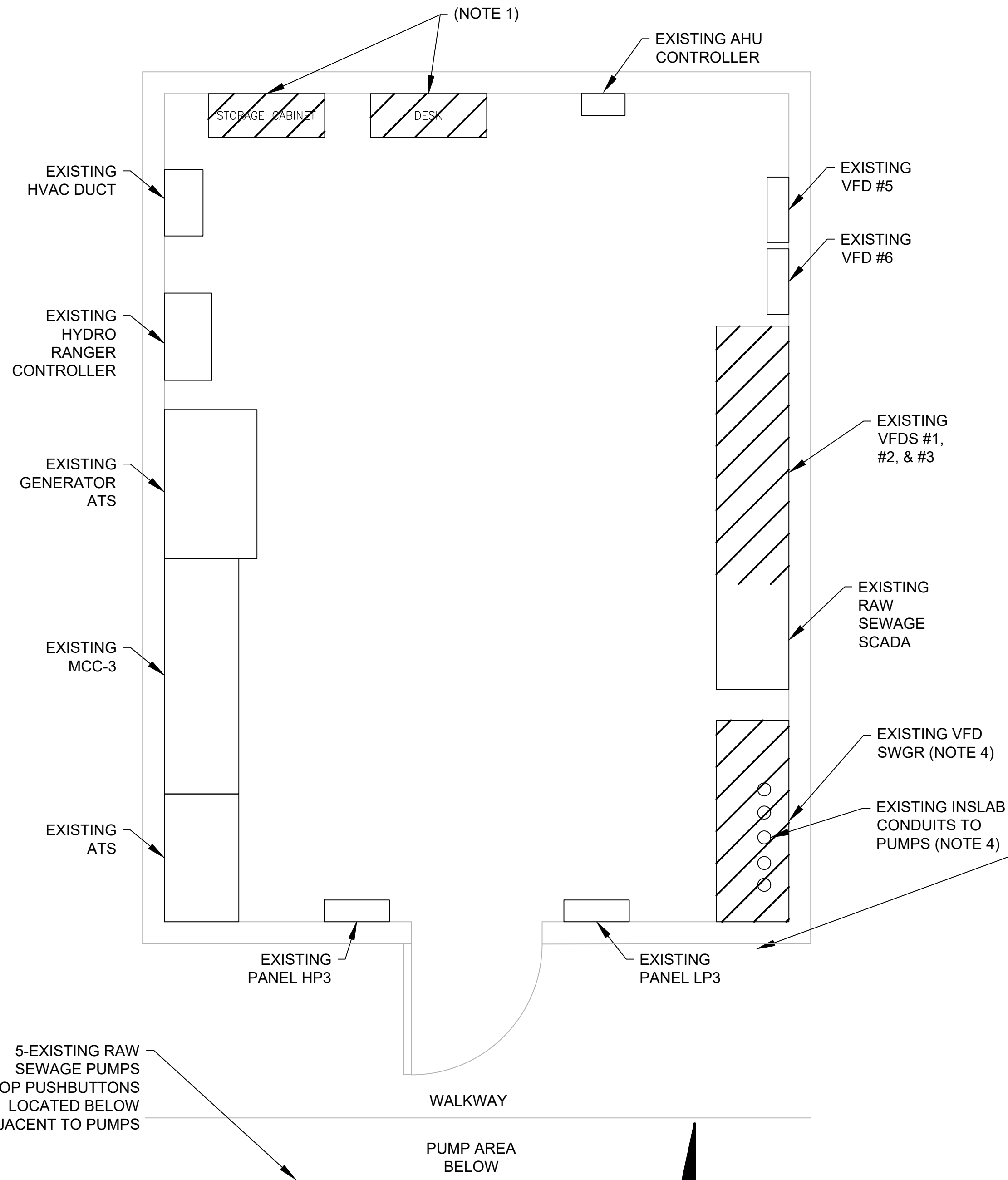
CONSULTANT: **MAGNA ENGINEERING**

SCALE:	NTS
DRAWN BY:	RL
DESIGNED BY:	RL
APPROVED BY:	JP

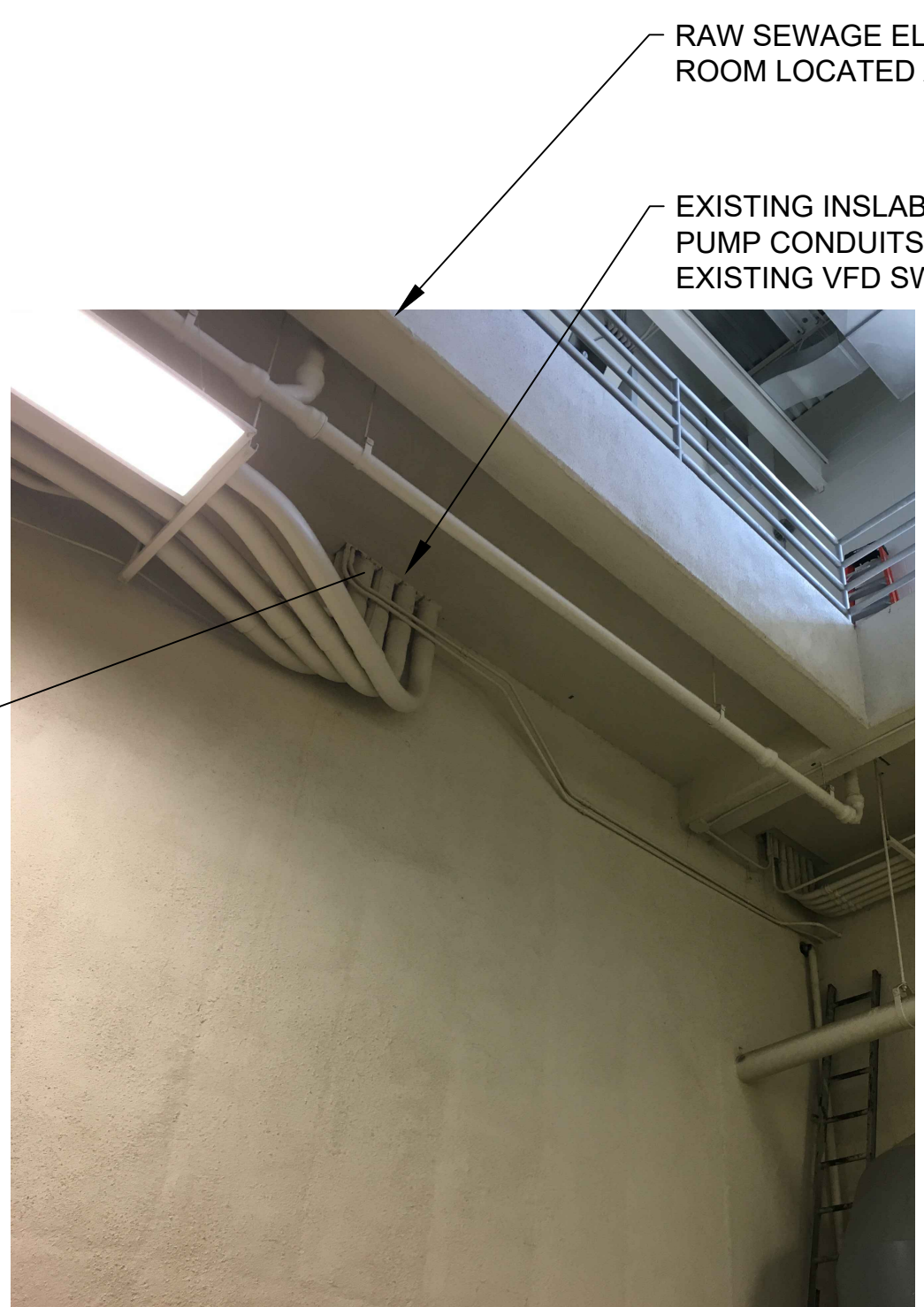
LOCATION:	PERSIGO	SITE:	WASTE WATER PLANT
PROJECT NAME:	MCC REPLACEMENT		
DRAWING TITLE:	RAW SEWAGE PUMP SCHEMATIC		
PROJECT No.	C5041-3	DRAWING No.	E-6
SHEET NO.	6	OF SHEET	0

NOTES:

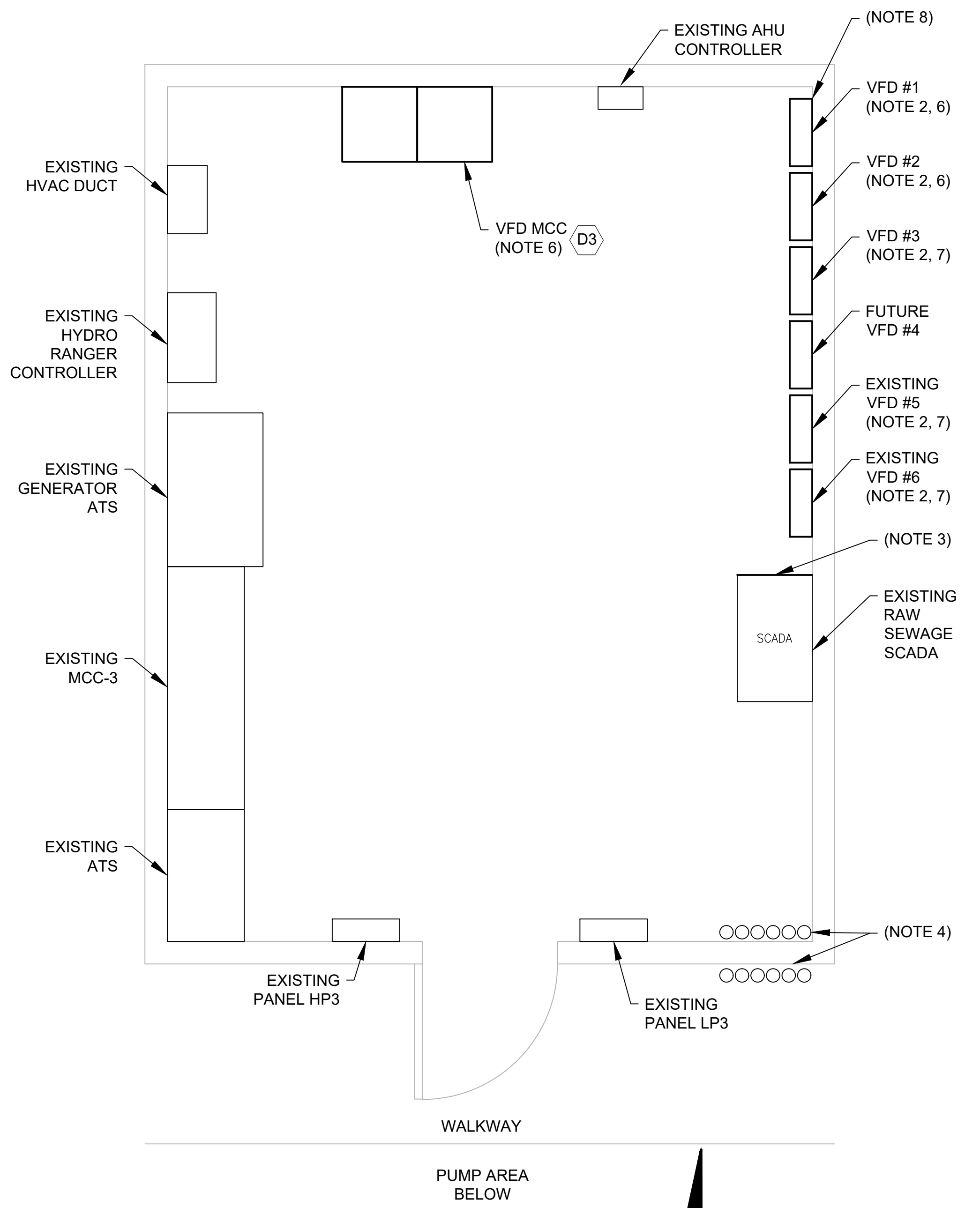
1. CONTRACTOR SHALL COORDINATED WITH OPERATIONS STAFF FOR REMOVAL OF THE EXISTING DESK AND STORAGE ENCLOSURE.
2. CONTRACTOR SHALL SUPPLY AND INSTALL COMPATIBLE BOTTOM COVER FOR VFDS TO ALLOW FOR CONDUIT ENTRY. CONNECTION OF EXPOSED CABLES TO VFD'S WITHOUT RACEWAY IS NOT APPROVED.
3. CONTRACTOR SHALL MODIFY THE EXISTING SCADA ENCLOSURE ONCE VFD'S ARE REMOVED BY REMOVING THE LEFT MOST TWO DOOR SECTIONS AND SEALING THE OPEN SIDE OF THE ENCLOSURE TO REMAIN WITH A WELDED STEEL PANEL AND PAINTED TO MATCH.
4. CONTRACTOR SHALL FIELD INVESTIGATE AND DETERMINE HOW TO INTERCEPT EXISTING INSLAB CONDUITS IN ORDER TO REROUTE AND CLEAR WALL SPACE AFTER REMOVING EXISTING VFD SWGR. CONTRACTOR SHALL SUBMIT PLAN TO ENGINEER FOR APPROVAL.
5. CONTRACTOR SHALL ROUTE CONDUITS TO BEST SUIT FIELD CONDITIONS. CONTRACTOR SHALL PROVIDE JUNCTION BOXES AS REQUIRED FOR A COMPLETE INSTALLATION.
6. EQUIPMENT SHALL BE PROCURED BY THE CITY OF GRAND JUNCTION AND INSTALLED BY CONTRACTOR.
7. CONTRACTOR SHALL RELOCATE EXISTING VFDS TO NEW LOCATION AS SHOWN.
8. CONTRACTOR SHALL FILL EXISTING HOLE IN WALL. CONTRACTOR SHALL SUPPLY, CUT, FIT, AND SECURE CMU BLOCKS TO FILL THE HOLE AND PAINT TO MATCH EXISTING WALL COLOR.



DEMOLITION ELECTRICAL ROOM LAYOUT
1/2" = 1'-0"



EXISTING RAW SEWAGE PUMP CONDUIT DETAIL
(PHOTO FROM PUMP AREA BELOW)



ELECTRICAL ROOM LAYOUT
1/2" = 1'-0"

DRAWING No.	DRAWING TITLE	No.	DESCRIPTION	DATE	BY
	ISSUED FOR BID	0		4/8/2021	RL
	REFERENCE DRAWING		REVISION		

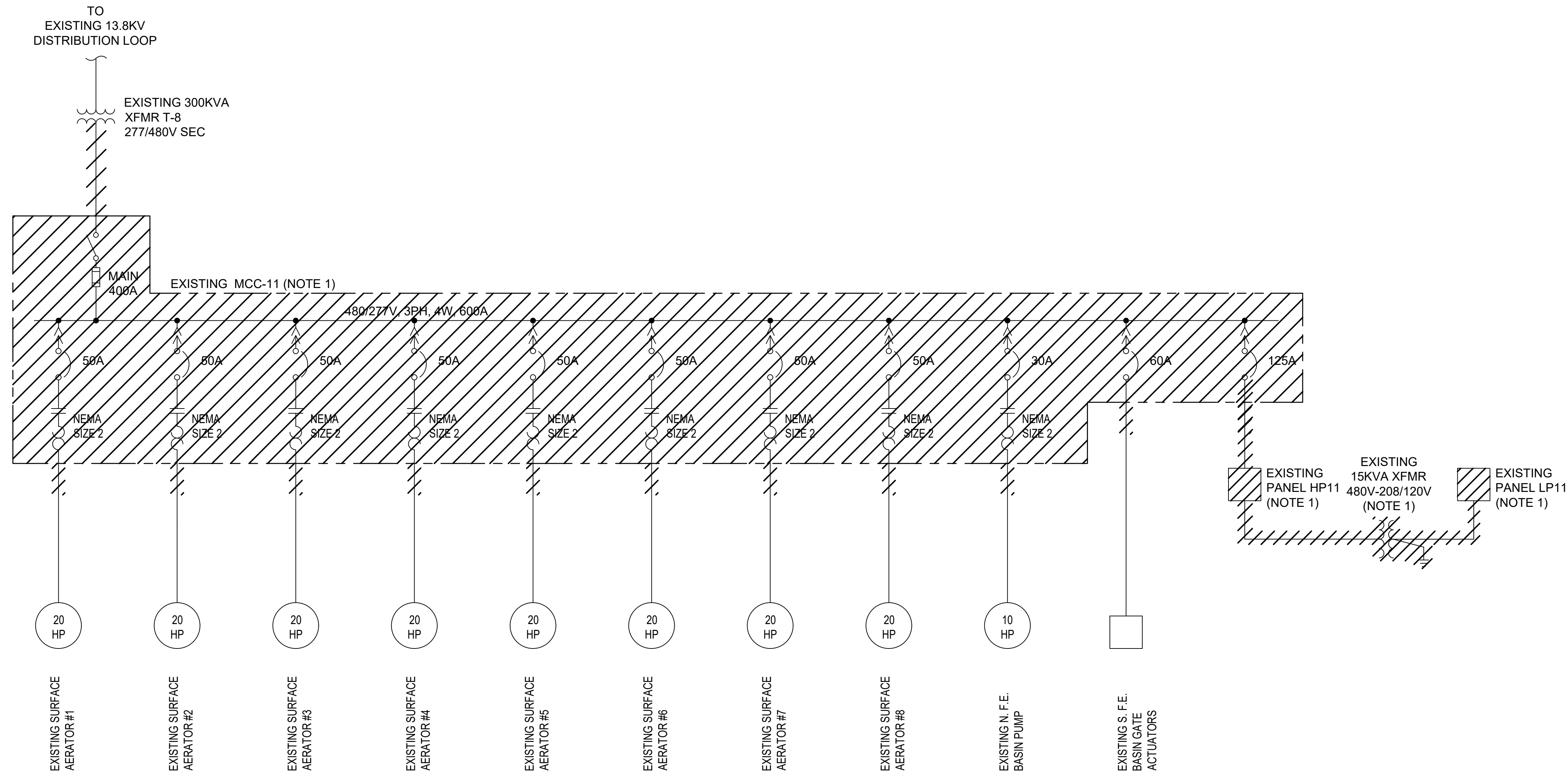
ENGINEERING STAMP:

CLIENT: **CITY OF Grand Junction COLORADO**

CONSULTANT: **MAGNA ENGINEERING**

SCALE:	NTS
DRAWN BY:	RL
DESIGNED BY:	RL
APPROVED BY:	JP

LOCATION:	PERSIGO	SITE:	WASTE WATER PLANT
PROJECT NAME:	MCC REPLACEMENT		
DRAWING TITLE:	RAW SEWAGE ELECTRICAL ROOM PLAN		
PROJECT No.	C5041-3	DRAWING No.	E-7
SHEET NO.	7	OF SHEET	7
REV.			0



- NOTES:
- CONTRACTOR SCOPE SHALL BE TO DISCONNECT & REMOVE THE EXISTING EQUIPMENT, CONDUIT, & CONDUCTORS ASSOCIATED WITH THE EXISTING MCC-11, PANEL HP11, 15KVA TRANSFORMER, AND PANEL LP11 AS SHOWN. THE CONTRACTOR SHALL COORDINATE WITH OPERATIONS STAFF PRIOR TO ANY OUTAGES AND EQUIPMENT DOWNTIME.
 - CONTRACTOR SHALL RELOCATE LOADS FOR THE GREASE FACILITY AND SEPTIC RECEIVING SYSTEM FROM PANEL HP11 TO NEW MCC-11.

PANEL: EXISTING PANEL HP11

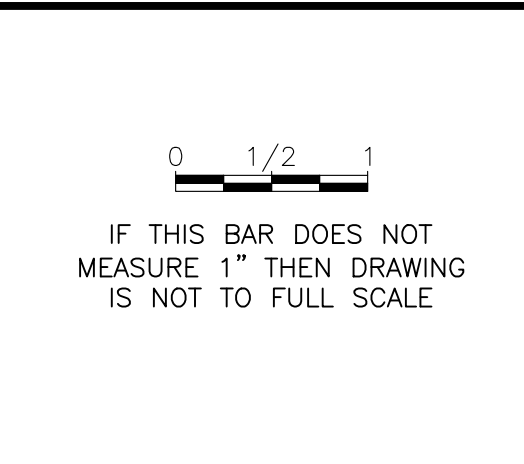
CCT	SIDE "A" LOAD	LOAD VA	BKR SIZE	A	B	C	BKR SIZE	LOAD VA	SIDE "B" LOAD	CCT		
1	SPARE		20	X			20	1000	NORTH FLOOD LIGHT	2		
3	SPARE		20	X	X		20	1000	SOUTH FLOOD LIGHT	4		
5	SPARE		20			X	20		SPARE	6		
7	EXTERIOR LIGHT	250	20	X				4000	XFMR PANEL LP11	8		
9	MCC & CHLORINE RM LIGHTS	300	20		X		30	4000		10		
11	CHLORINE RM UNIT HEATER	4000			X	X		4000		12		
13		4000		X			20	800	EXISTING LOAD	14		
15		4000	30	X	X		20	800	EXISTING LOAD	16		
17	MCC RM UNIT HEATER (OFF)				X		20		SPARE	18		
19			30	X			20		SPARE	20		
21				X	X		20		SPARE	22		
23	SPACE				X	X		5000	GREASE FACILITY	24		
25	SEPTIC RECEIVING SYSTEM	10000		X			30	5000		26		
27		10000	50	X	X			5000		28		
29		10000		X					SPACE	30		
TOTAL PHASE "A" LOAD		25.050	KVA									
TOTAL PHASE "B" LOAD		25.100	KVA									
TOTAL PHASE "C" LOAD		23.000	KVA									
CONNECTION: MCC-11												
BUS SIZE: 225A												
FEEDER: Refer to Drawings												
MAIN BREAKER: MLO												
PANEL AIC RATING: 18KA												
LOCATION: FLOW EQ BASIN ELECTRICAL ROOM												
VOLTAGE: 277/480VAC												
PHASE: 3P/4W												
MOUNTING: SURFACE												

PANEL: EXISTING PANEL LP11

CCT	SIDE "A" LOAD	LOAD VA	BKR SIZE	A	B	C	BKR SIZE	LOAD VA	SIDE "B" LOAD	CCT		
1	METER VAULT	600	20	X			20	720	MCC & CHLORINE RM RECEPTACLES	2		
3	LIFT STATION LTS & RECEPTACLES	400	20		X		20	400	MCC & CHLORINE RM EXHAUST FAN	4		
5	RECEPTACLE & S. LIGHT	500	20			X	20	1500	AERATOR 1-3 OIL HEATER	6		
7	CHLORINE ALARM UNIT	200	20	X			20	1500	AERATOR 5&7 OIL HEATER	8		
9	LIFT STATION ALARM PANEL	200	20		X		20	2000	SAMPLE PUMP & AERATOR 8 OIL HEATER	10		
11	TIME CLOCKS	200	20		X	X	20	1500	AERATOR 4&6 OIL HEATER	12		
13	LIFT STATION PUMP CONTROL PANEL	600	20	X			20	500	FERRIC FEED STATION	14		
15	INFLUENT SAMPLE SITE	600	20	X			20	500	FERRIC FEED STATION	16		
17	INFLUENT GATE RECEPTACLE	360	20		X	X			SPACE	18		
19	INFLUENT GATE ACTUATOR	250	20	X					SPACE	20		
21	SPACE				X				SPACE	22		
23	SPACE					X			SPACE	24		
25	SPACE			X					SPACE	26		
27	SPACE				X				SPACE	28		
29	SPACE					X			SPACE	30		
31	MAIN			X						32		
33			60		X					34		
35						X				36		
TOTAL PHASE "A" LOAD		4.370	KVA									
TOTAL PHASE "B" LOAD		4.100	KVA									
TOTAL PHASE "C" LOAD		4.060	KVA									
CONNECTION: 15KVA TRANSFORMER												
BUS SIZE: 100A												
FEEDER: Refer to Drawings												
MAIN BREAKER: 60A												
PANEL AIC RATING: 10KA												
LOCATION: FLOW EQ BASIN ELECTRICAL ROOM												
VOLTAGE: 120/208VAC												
PHASE: 3P/4W												
MOUNTING: SURFACE												



DRAWING No.	DRAWING TITLE	No.	DESCRIPTION	ISSUED FOR BID	DATE	BY
	REFERENCE DRAWING		REVISION			



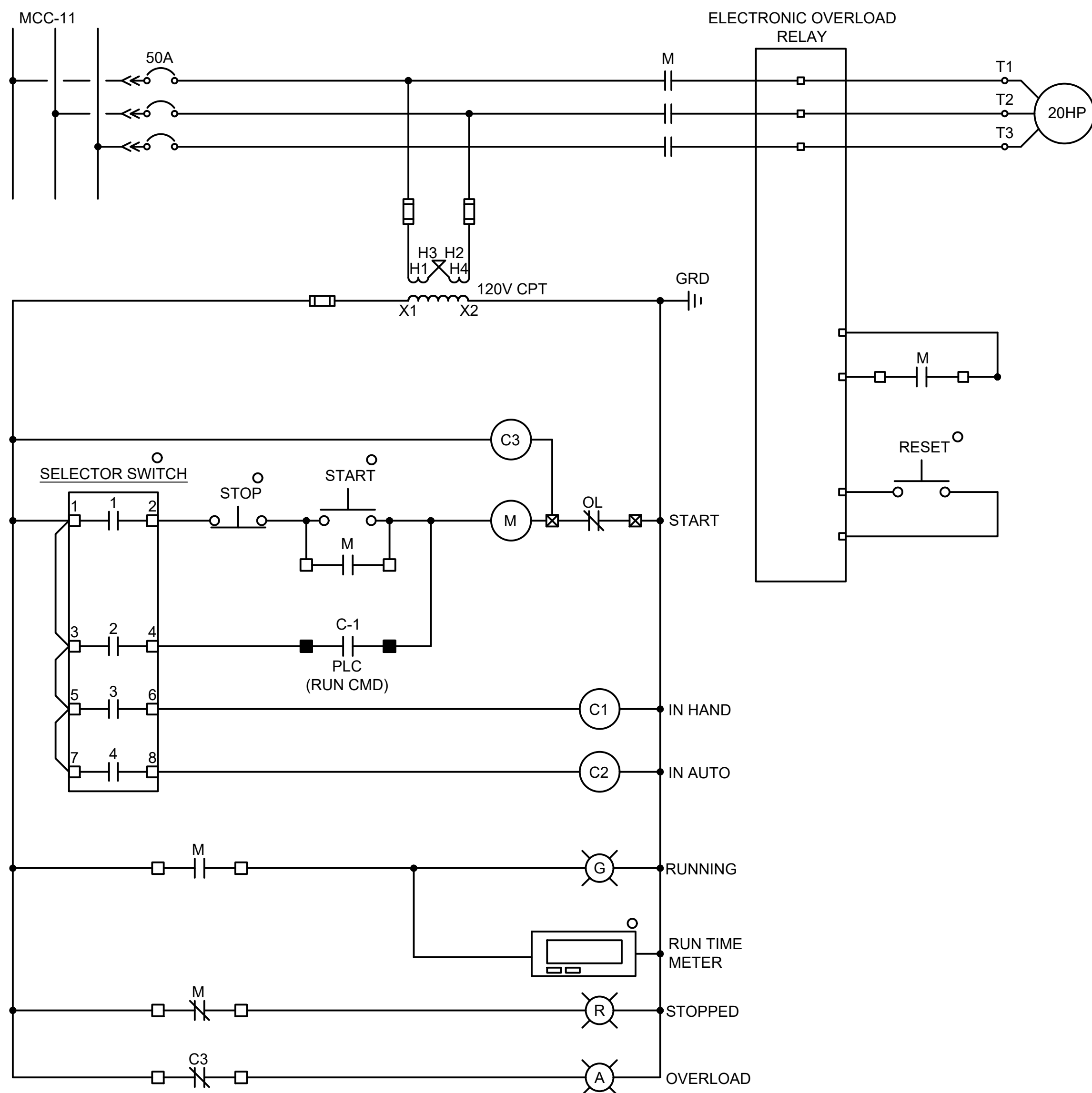
ENGINEERING STAMP:

CLIENT: CITY OF Grand Junction COLORADO

CONSULTANT: MAGNA ENGINEERING

SCALE:	NTS
DRAWN BY:	RL
DESIGNED BY:	RL
APPROVED BY:	JP

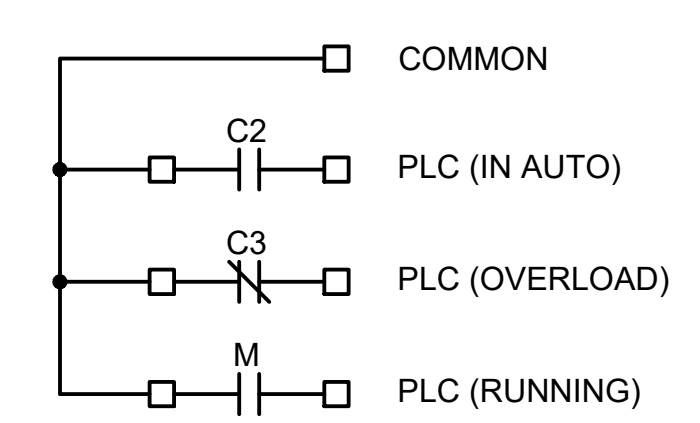
LOCATION:	PERSIGO	SITE:	WASTE WATER PLANT
PROJECT NAME:	MCC REPLACEMENT		
DRAWING TITLE:	FLOW EQ BASIN MCC-11 DEMOLITION ONE-LINE DIAGRAM		
PROJECT No.	C5041-3	DRAWING No.	E-8
SHEET NO. OF SHEET	8	REV.	0



NOTES:
 1. UNLESS OTHERWISE INDICATED, ALL DEVICES ARE LOCATED WITHIN THE STARTER. DEVICES LOCATED REMOTE FROM THE STARTER ARE INDICATED BY THE LEGEND BELOW.

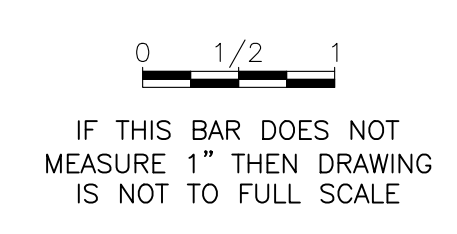
- LEGEND
- EXTERNAL CONNECTION
 - INTERNAL CONNECTION
 - ⊗ TERMINAL IN VFD OR ELECTRONIC OVERLOAD
 - CONNECTION POINT
 - ▲ LOCATED NEAR MOTOR
 - MOUNTED IN MOTOR CONTROL CENTER ENCLOSURE DOOR

SELECTOR SWITCH				HAND	OFF	AUTO
CONTACTS						
1	1	2	3	2	4	1
2	3	4	5	6	7	8
1	2	3	4	5	6	7
1	2	3	4	5	6	7



SURFACE AERATOR #1 SCHEMATIC
 (TYPICAL FOR #2, #3, #4, #5, #6, #7, #8)

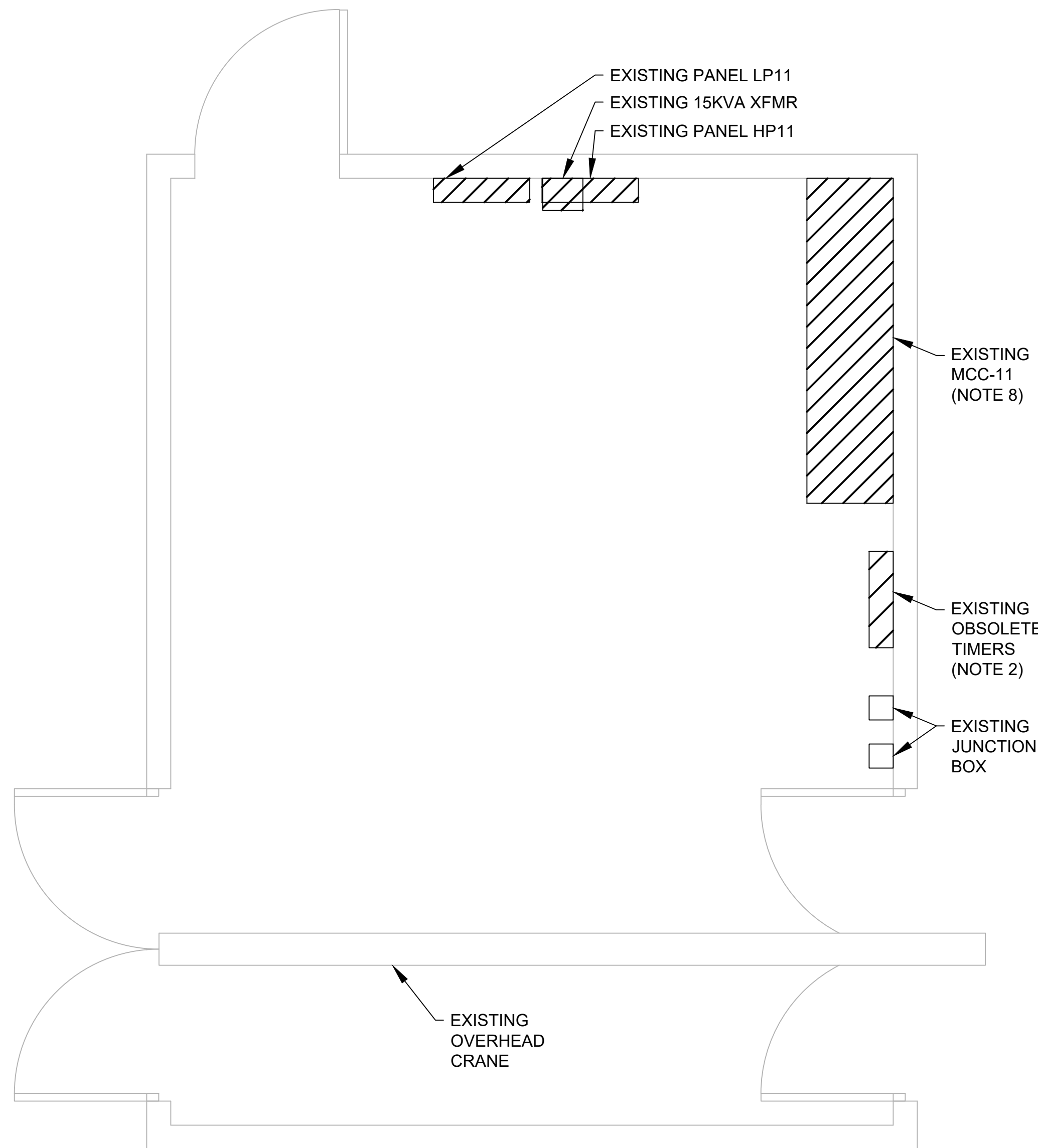
DRAWING No.	DRAWING TITLE	No.	DESCRIPTION	DATE	BY
	REFERENCE DRAWING	0	ISSUED FOR BID	4/8/2021	RL
			REVISION		



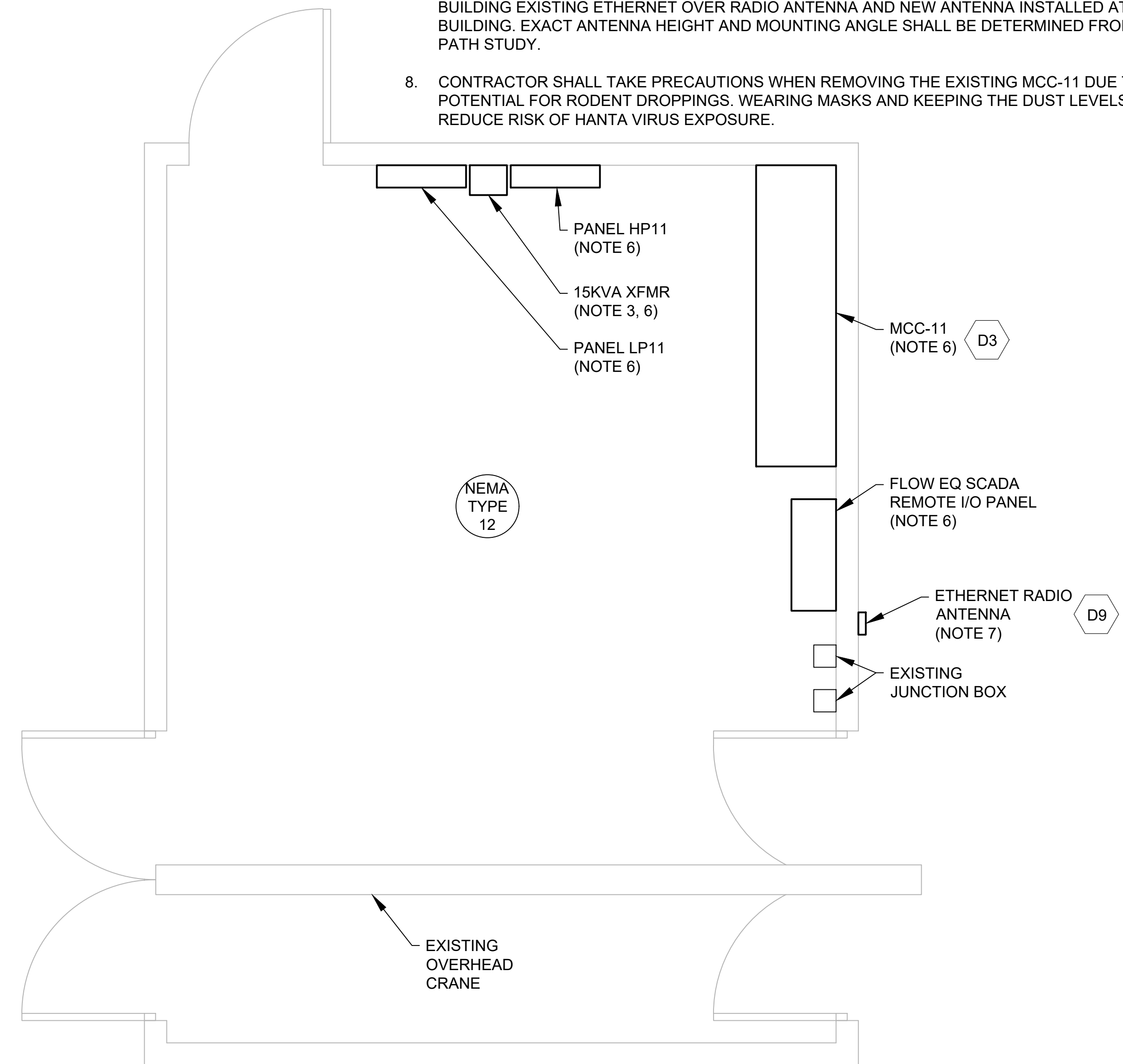
ENGINEERING STAMP:	CLIENT: CITY OF Grand Junction COLORADO	SCALE: NTS	LOCATION: PERSIGO	SITE: WASTE WATER PLANT
	CONSULTANT: MAGNA ENGINEERING	DRAWN BY: RL	PROJECT NAME: MCC REPLACEMENT	
		DESIGNED BY: RL	DRAWING TITLE: FLOW EQ AERATOR SCHEMATIC	
		APPROVED BY: JP	PROJECT No. C5041-3	DRAWING No. E-10
			SHEET NO. 10	OF SHEET 10
				REV. 0

NOTES:

1. CONTRACTOR SHALL DISCONNECT AND REMOVE EXISTING EQUIPMENT AS SHOWN BASED ON THE CONSTRUCTION PHASE SEQUENCE.
2. CONTRACTOR SHALL DISCONNECT AND REMOVE EXISTING OBSOLETE TIMERS. CONDUIT AND WIRING SHALL BE REMOVED BACK TO POINT OF ORIGIN.
3. TRANSFORMER SHALL BE MOUNTED ABOVE PANELS. CONTRACTOR SHALL SUPPLY ALL REQUIRED MOUNTING ACCESSORIES.
4. CONTRACTOR SHALL REUSE EXISTING IN SLAB CONDUITS WHERE POSSIBLE.
5. CONTRACTOR SHALL ROUTE CONDUITS TO BEST SUIT FIELD CONDITIONS. CONTRACTOR SHALL PROVIDE JUNCTION BOXES AS REQUIRED FOR A COMPLETE INSTALLATION.
6. EQUIPMENT SHALL BE PROCURED BY THE CITY OF GRAND JUNCTION AND INSTALLED BY CONTRACTOR.
7. CONTRACTOR SHALL PERFORM RADIO PATH STUDY FOR COMMUNICATION BETWEEN OPERATION BUILDING EXISTING ETHERNET OVER RADIO ANTENNA AND NEW ANTENNA INSTALLED AT THE FLOW EQ BUILDING. EXACT ANTENNA HEIGHT AND MOUNTING ANGLE SHALL BE DETERMINED FROM THE RADIO PATH STUDY.
8. CONTRACTOR SHALL TAKE PRECAUTIONS WHEN REMOVING THE EXISTING MCC-11 DUE TO THE POTENTIAL FOR RODENT DROPPINGS. WEARING MASKS AND KEEPING THE DUST LEVELS DOWN WILL REDUCE RISK OF HANTA VIRUS EXPOSURE.

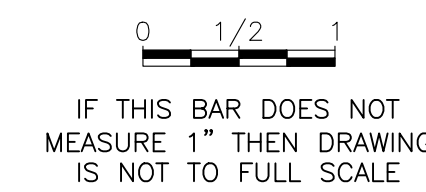


DEMOLITION ELECTRICAL ROOM LAYOUT
1/2" = 1'-0"



ELECTRICAL ROOM LAYOUT
1/2" = 1'-0"

DRAWING No.	DRAWING TITLE	No.	DESCRIPTION	DATE	BY
	REFERENCE DRAWING		REVISION		



ENGINEERING STAMP:

CLIENT: **CITY OF Grand Junction COLORADO**

CONSULTANT: **MAGNA ENGINEERING**

SCALE:	NTS
DRAWN BY:	RL
DESIGNED BY:	RL
APPROVED BY:	JP

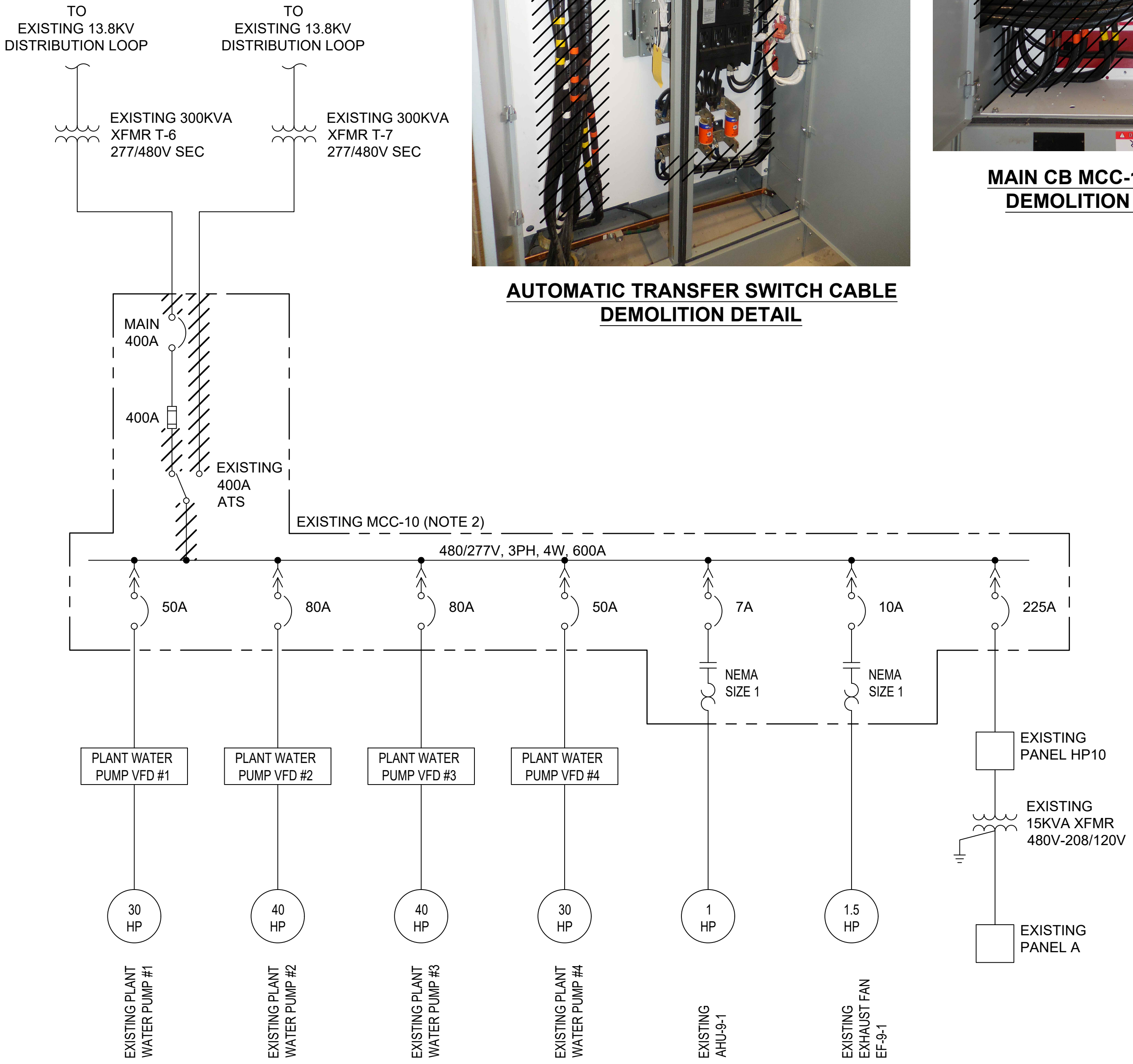
LOCATION:	PERSIGO	SITE:	WASTE WATER PLANT
PROJECT NAME:	MCC REPLACEMENT		
DRAWING TITLE:	FLOW EQ BASIN ELECTRICAL ROOM PLAN		
PROJECT No.	C5041-3	DRAWING No.	E-11
SHEET NO.	11	OF SHEET	11
REV.			0



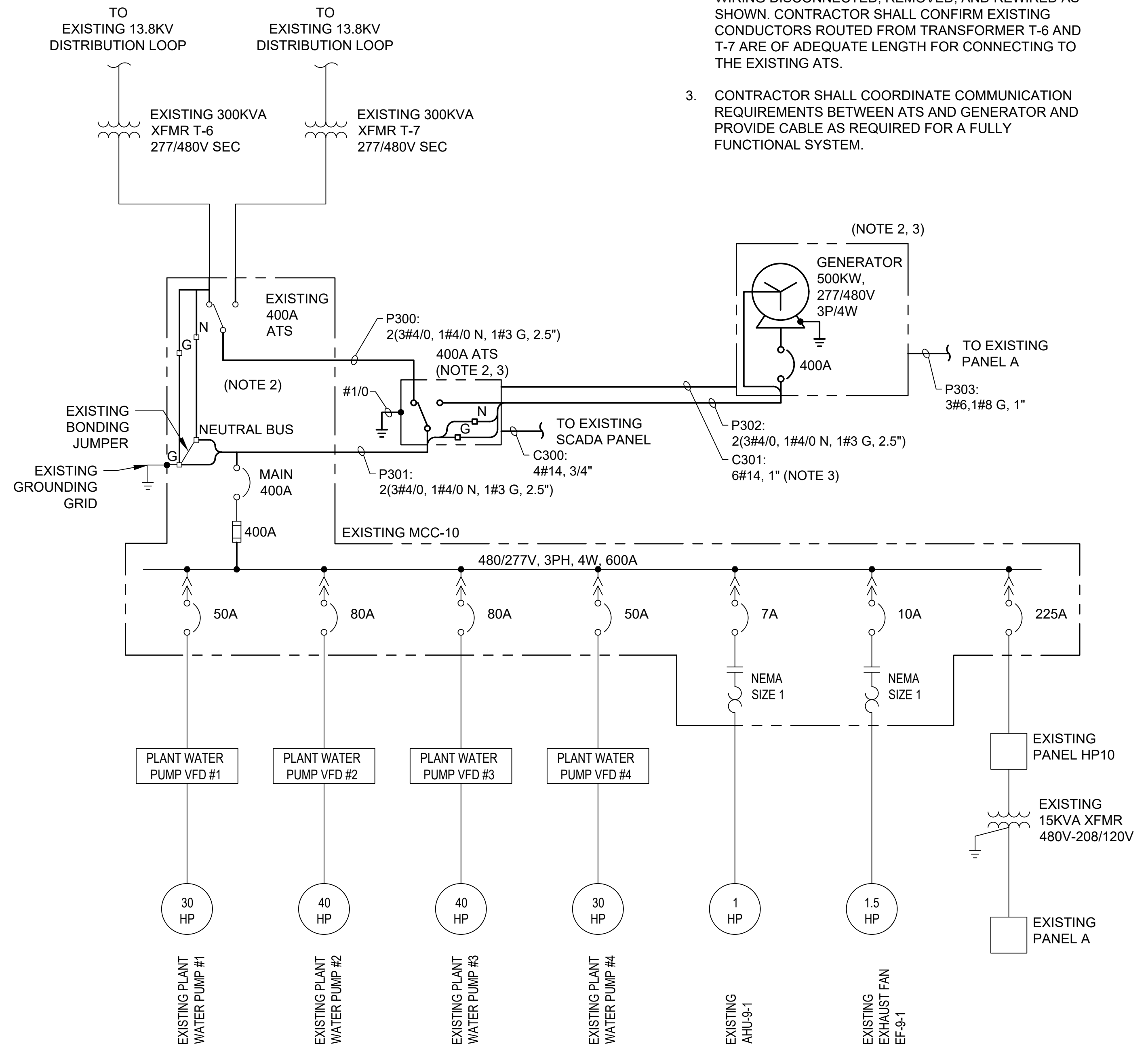
AUTOMATIC TRANSFER SWITCH CABLE DEMOLITION DETAIL



MAIN CB MCC-10 CABLE DEMOLITION DETAIL



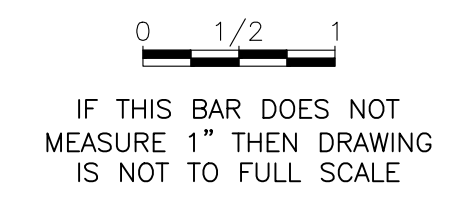
DEMOLITION ONE-LINE DIAGRAM



ONE-LINE DIAGRAM

- NOTES:
1. CONTRACTOR SCOPE SHALL BE TO INSTALL NEW GENERATOR AND AUTOMATIC TRANSFER SWITCH AND REWIRE EXISTING MCC-10 CONDUCTORS BASED ON THE CONSTRUCTION PHASE SEQUENCE ONE-LINES AND DESCRIPTIVE NOTES. THE CONTRACTOR SHALL ENSURE DOWNTIME IS MINIMIZED AND COORDINATED WITH OPERATIONS STAFF PRIOR TO ANY OUTAGES.
 2. PHASE 1 - THE CONTRACTOR SHALL INSTALL THE GENERATOR AND AUTOMATIC TRANSFER SWITCH FIRST IN ORDER TO MINIMIZE DOWNTIME OF MCC-10. ONCE NEW EQUIPMENT IS INSTALLED AND CONDUCTORS PULLED WORK MAY BEGIN ON REWIRING MCC-10. MCC-10 SHALL BE DEENERGIZED FROM BOTH FEEDERS AND WIRING DISCONNECTED, REMOVED, AND REWIRED AS SHOWN. CONTRACTOR SHALL CONFIRM EXISTING CONDUCTORS ROUTED FROM TRANSFORMER T-6 AND T-7 ARE OF ADEQUATE LENGTH FOR CONNECTING TO THE EXISTING ATS.
 3. CONTRACTOR SHALL COORDINATE COMMUNICATION REQUIREMENTS BETWEEN ATS AND GENERATOR AND PROVIDE CABLE AS REQUIRED FOR A FULLY FUNCTIONAL SYSTEM.

DRAWING No.	DRAWING TITLE	No.	DESCRIPTION	DATE	BY
	REFERENCE DRAWING		REVISION		



ENGINEERING STAMP:

CLIENT: **CITY OF Grand Junction COLORADO**

CONSULTANT: **MAGNA ENGINEERING**

SCALE: NTS

DRAWN BY: RL

DESIGNED BY: RL

APPROVED BY: JP

LOCATION:	PERSIGO	SITE:	WASTE WATER PLANT
PROJECT NAME:	MCC REPLACEMENT		
DRAWING TITLE:	PLANT WATER MCC-10 DEMOLITION & ONE-LINE DIAGRAM		
PROJECT No.	C5041-3	DRAWING No.	E-12
SHEET NO. OF SHEET REV.	12		0



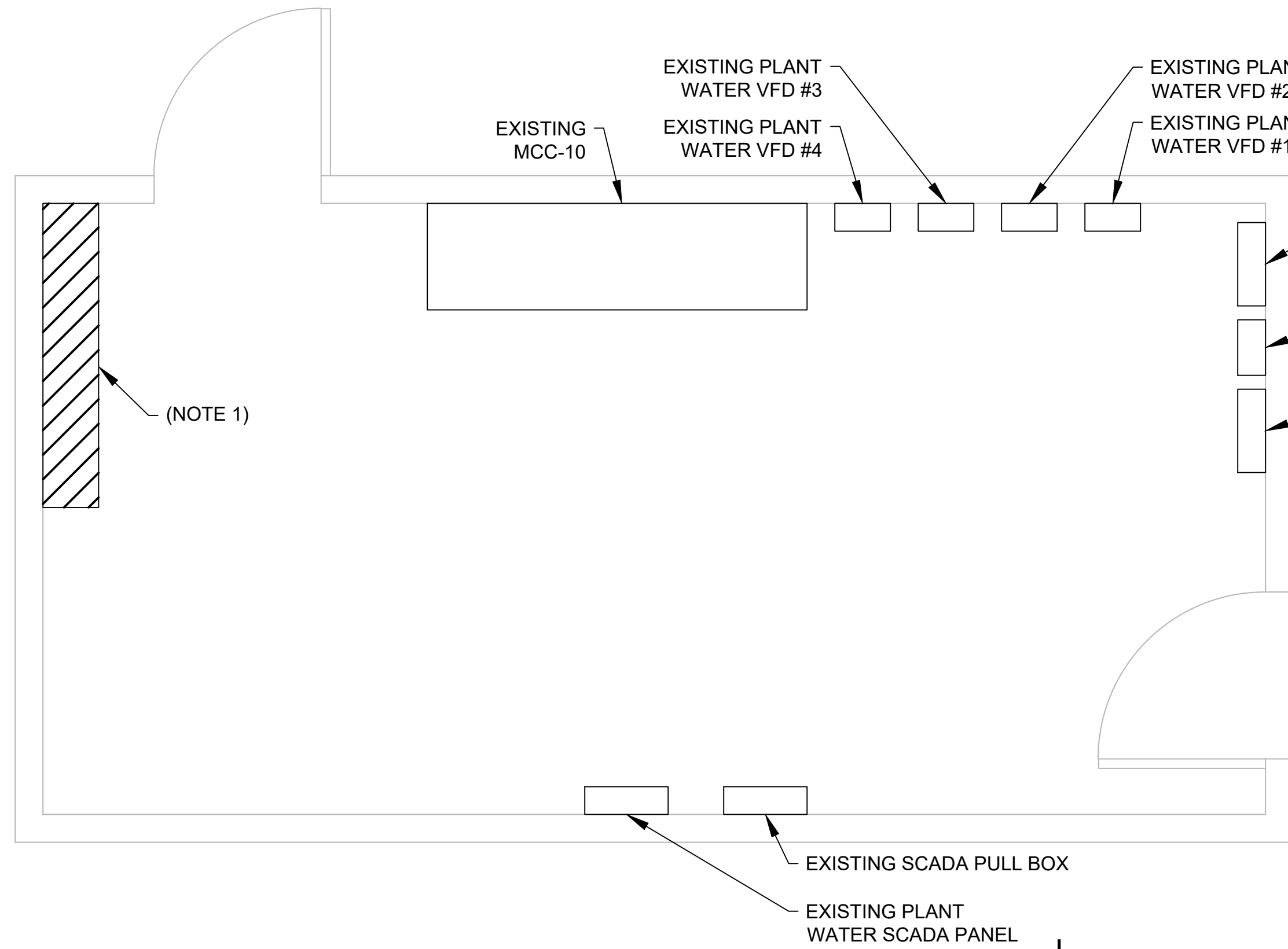
GENERATOR CONDUIT ROUTING DETAIL

(NOTE 6)

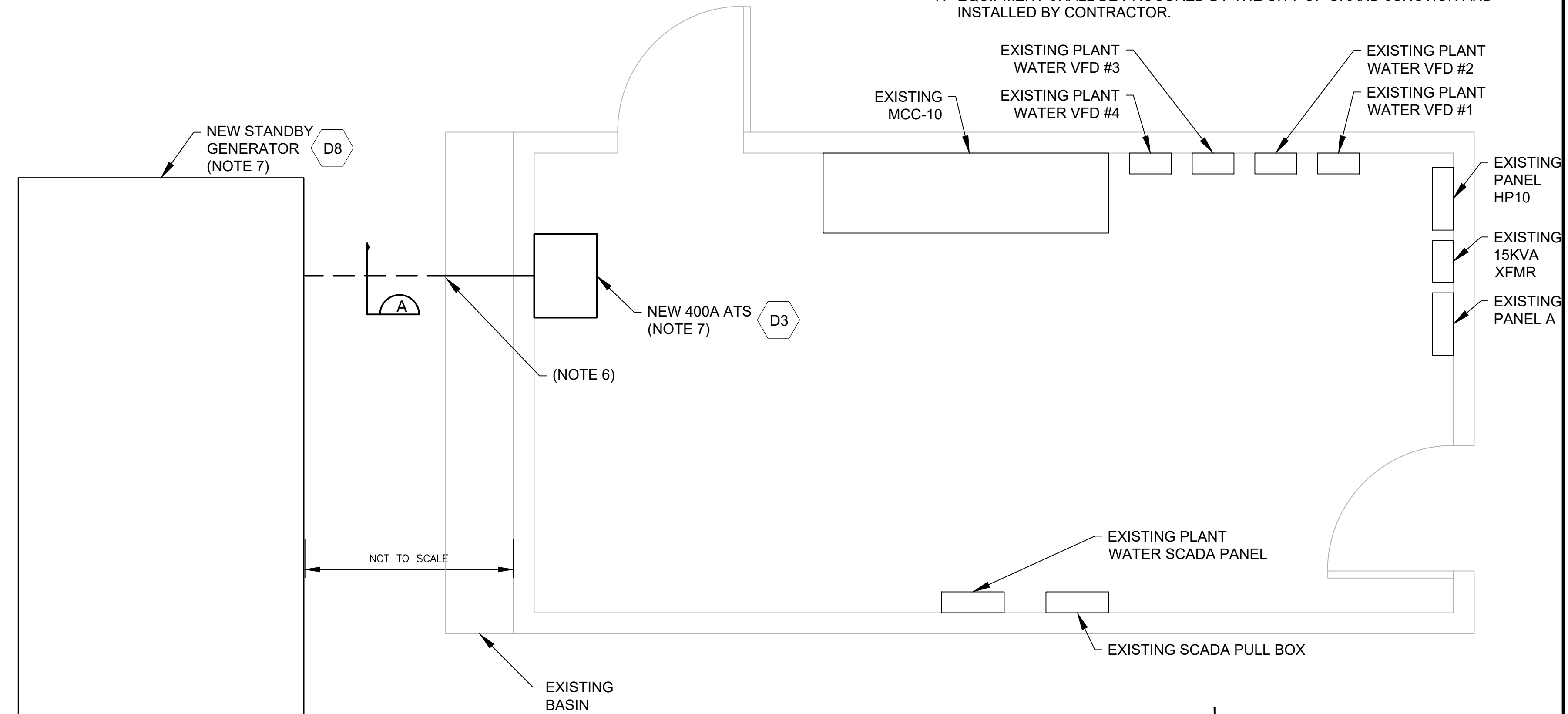
EXPANSION/DEFLECTION FITTING SUITABLE FOR DIRECT-BURY (THOMAS & BETTS OR EQUAL)

NOTES:

1. CONTRACTOR SHALL COORDINATED WITH OPERATIONS STAFF FOR REMOVAL OF THE EXISTING STORAGE RACK.
2. CONDUIT SIZES FOR DUCT BANKS ONLY. REFER TO ONE-LINE DIAGRAMS FOR ALL OTHER CONDUIT SIZES.
3. CONTRACTOR SHALL ROUTE CONDUITS TO BEST SUITE FIELD CONDITIONS. CONTRACTOR SHALL PROVIDE HAND HOLES AND JUNCTION BOXES AS REQUIRED FOR A COMPLETE INSTALLATION.
4. CONTRACTOR SHALL SUPPLY EXPANSION DEFLECTION CONDUIT FITTINGS FOR ALL UNDERGROUND CONDUITS ENTERING JUNCTION BOXES, ENCLOSURE OR PENETRATIONS ATTACHED TO STRUCTURES.
5. CONTRACTOR SHALL OBTAIN PUBLIC AND PRIVATE UTILITY LOCATES TO VERIFY UTILITY LOCATIONS. POTHOLE ALL UTILITY CROSSINGS PRIOR TO CONSTRUCTION.
6. CONTRACTOR SHALL ROUTE BURIED CONDUIT AS SHOWN. BURIED CONDUIT SHALL TRANSITION TO RIGID BASED ON THE GENERATOR CONDUIT ROUTING DETAIL. UNISTRUT SUPPORTS AND HARDWARE SHALL BE STAINLESS STEEL. ADDITIONAL SUPPORTS SHALL BE PROVIDED AS REQUIRED FOR THE HORIZONTAL RUN INTO THE BUILDING FOR A SECURE INSTALLATION.
7. EQUIPMENT SHALL BE PROCURED BY THE CITY OF GRAND JUNCTION AND INSTALLED BY CONTRACTOR.



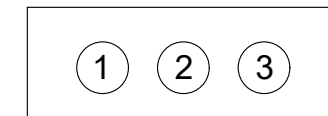
DEMOLITION ELECTRICAL ROOM LAYOUT
1/2" = 1'-0"



ELECTRICAL ROOM LAYOUT
1/2" = 1'-0"

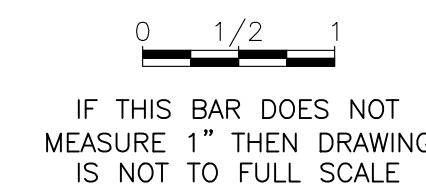


BURIED CONDUIT SCHEDULE					
NO.	NAME	FROM	TO	SIZE	TYPE
1	P302	GENERATOR	400A ATS	4"	PVC
2	P303	GENERATOR	EXISTING PANEL A	1"	PVC
3	C301	GENERATOR	400A ATS	1"	PVC



A

DRAWING No.	DRAWING TITLE	No.	DESCRIPTION	DATE	BY
	REFERENCE DRAWING		REVISION		



ENGINEERING STAMP:

CLIENT: **CITY OF Grand Junction COLORADO**

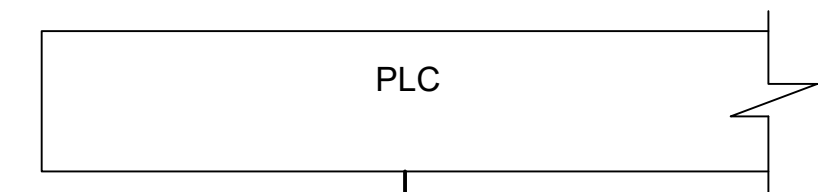
CONSULTANT: **MAGNA ENGINEERING**

SCALE:	NTS
DRAWN BY:	RL
DESIGNED BY:	RL
APPROVED BY:	JP

LOCATION:	PERSIGO	SITE:	WASTE WATER PLANT
PROJECT NAME:	MCC REPLACEMENT		
DRAWING TITLE:	PLANT WATER ELECTRICAL ROOM PLAN		
PROJECT No.	C5041-3	DRAWING No.	E-13
SHEET NO.	13	OF SHEET	13
REV.			0

NOTES:

- CONTRACTOR SHALL PROVIDE AND INSTALL A NEW COMPARABLE 3-POLE CIRCUIT BREAKER IN THE EXISTING PANEL A AS SHOWN.



C300:

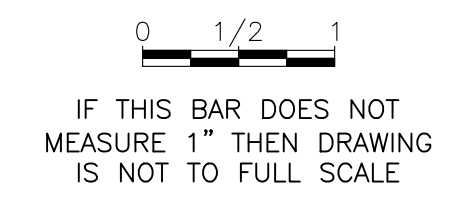
400A ATS

EXISTING PLANT WATER SCADA PANEL
(PARTIAL)

PANEL: EXISTING PANEL A											
CCT	SIDE "A" LOAD	LOAD VA	BKR SIZE	A	B	C	BKR SIZE	LOAD VA	SIDE "B" LOAD	CCT	
1	SPARE		20	X			20		SPARE	2	
3					X					4	
5	SPARE		30	X		X	15		SPARE	6	
7							20	600	UV CONTROL PANEL	8	
9	SPARE		20	X			20	150	LEVEL TRANSMITTER	10	
11	SPACE					X	20	800	EXISTING LOAD	12	
13	SPACE			X			20	780	CONTACT BASIN RECEPTACLE & 147 CNT PNL	14	
15	SPACE				X		20	800	EXISTING LOAD	16	
17	SPACE					X	20	150	SMOKE DETECTOR	18	
19	SPACE			X			20	1080	MCC ROOM RECEPTACLES	20	
21	SPACE				X		20	600	PLANT WATER CONTROL	22	
23	SPACE					X	30	800	EXISTING LOAD	24	
25	SPACE			X					SPACE	26	
27	SPACE				X				SPACE	28	
29	SPACE					X			SPACE	30	
31	SPACE			X					SPACE	32	
33	SPACE				X				SPACE	34	
35	SPACE					X			SPACE	36	
37	SPACE			X			40	2500	GENERATOR	38	
39	SPACE				X		40	2500	BATTERY CHARGER & JACKET HEATER	40	
41	SPACE					X		2500		42	
TOTAL PHASE "A" LOAD		4.960	KVA								
TOTAL PHASE "B" LOAD		4.050	KVA								
TOTAL PHASE "C" LOAD		4.250	KVA								
CONNECTION: 15KVA TRANSFORMER				LOCATION: PLANT WATER BUILDING							
BUS SIZE: 225A				VOLTAGE: 120/208VAC							
FEEDER: Refer to Drawings				PHASE: 3P/4W							
MAIN BREAKER: 50A				MOUNTING: SURFACE							
PANEL AIC RATING: 10KA											

(NOTE 1)

DRAWING No.	DRAWING TITLE	No.	DESCRIPTION	DATE	BY
	REFERENCE DRAWING	0	ISSUED FOR BID	4/8/2021	RL
			REVISION		



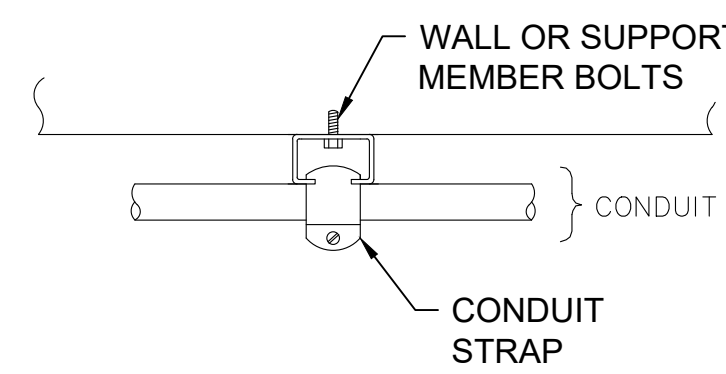
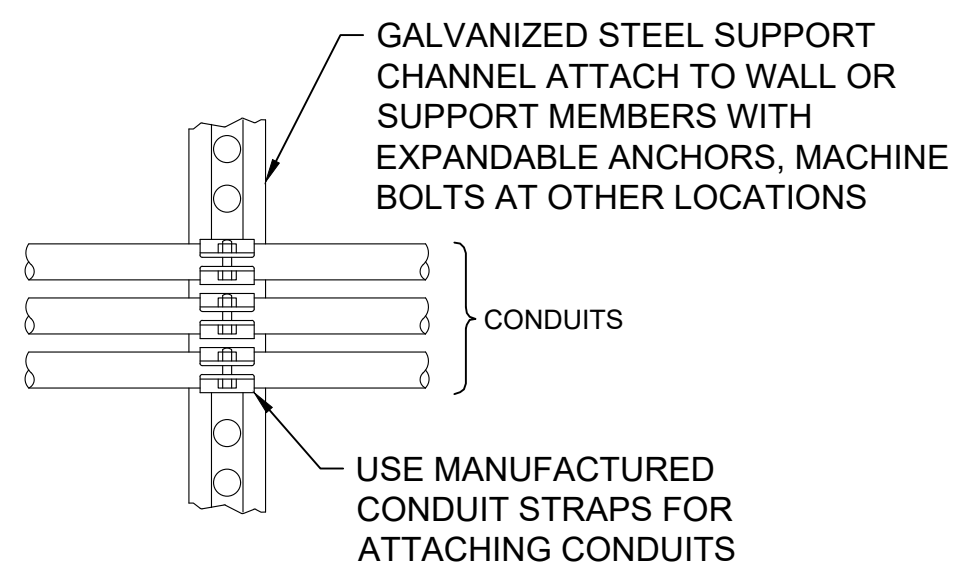
ENGINEERING STAMP:

CLIENT:

CONSULTANT:

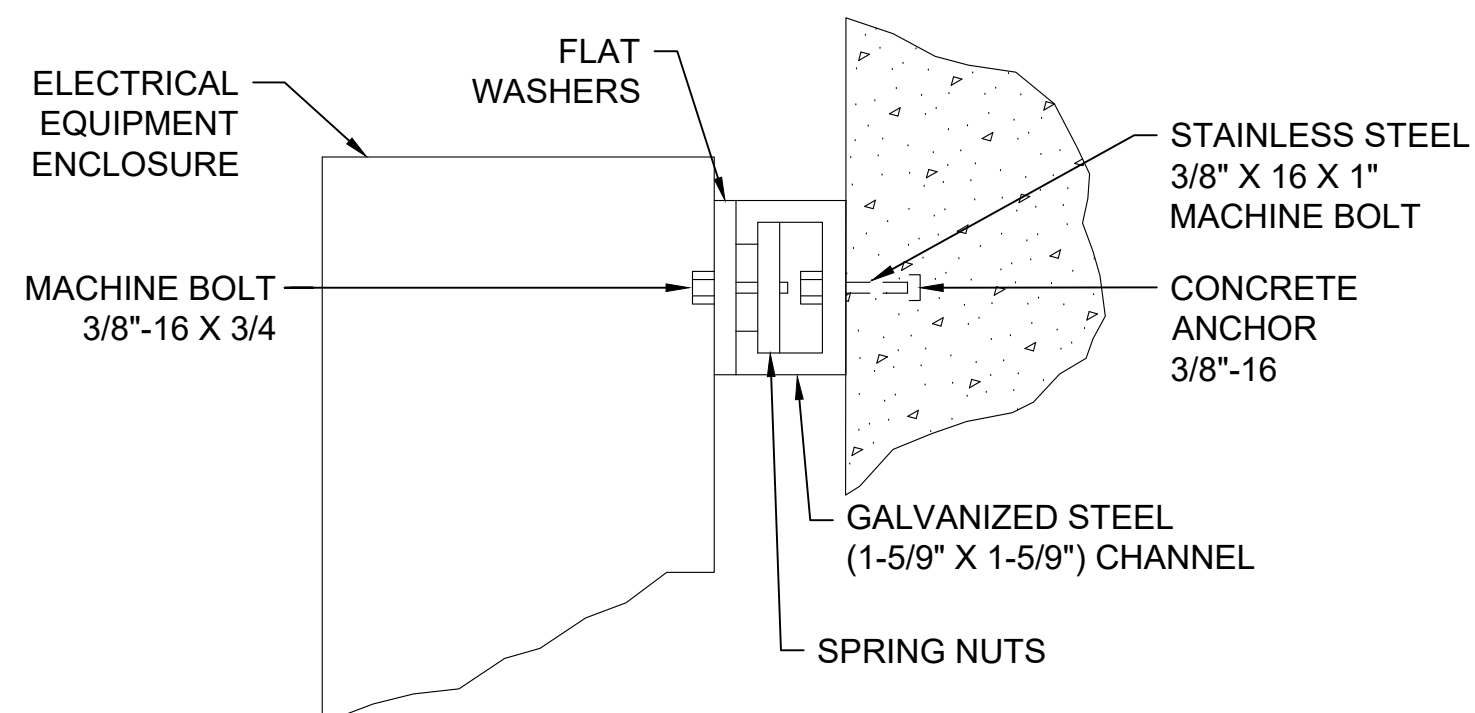
SCALE:	NTS
DRAWN BY:	RL
DESIGNED BY:	RL
APPROVED BY:	JP

LOCATION:	PERSIGO	SITE:	WASTE WATER PLANT
PROJECT NAME:	MCC REPLACEMENT		
DRAWING TITLE:	PLANT WATER PANEL SCHEDULES & EQUIPMENT ONE-LINE DIAGRAM		
PROJECT No.	C5041-3	DRAWING No.	E-14
SHEET NO. OF SHEET	14	REV.	0

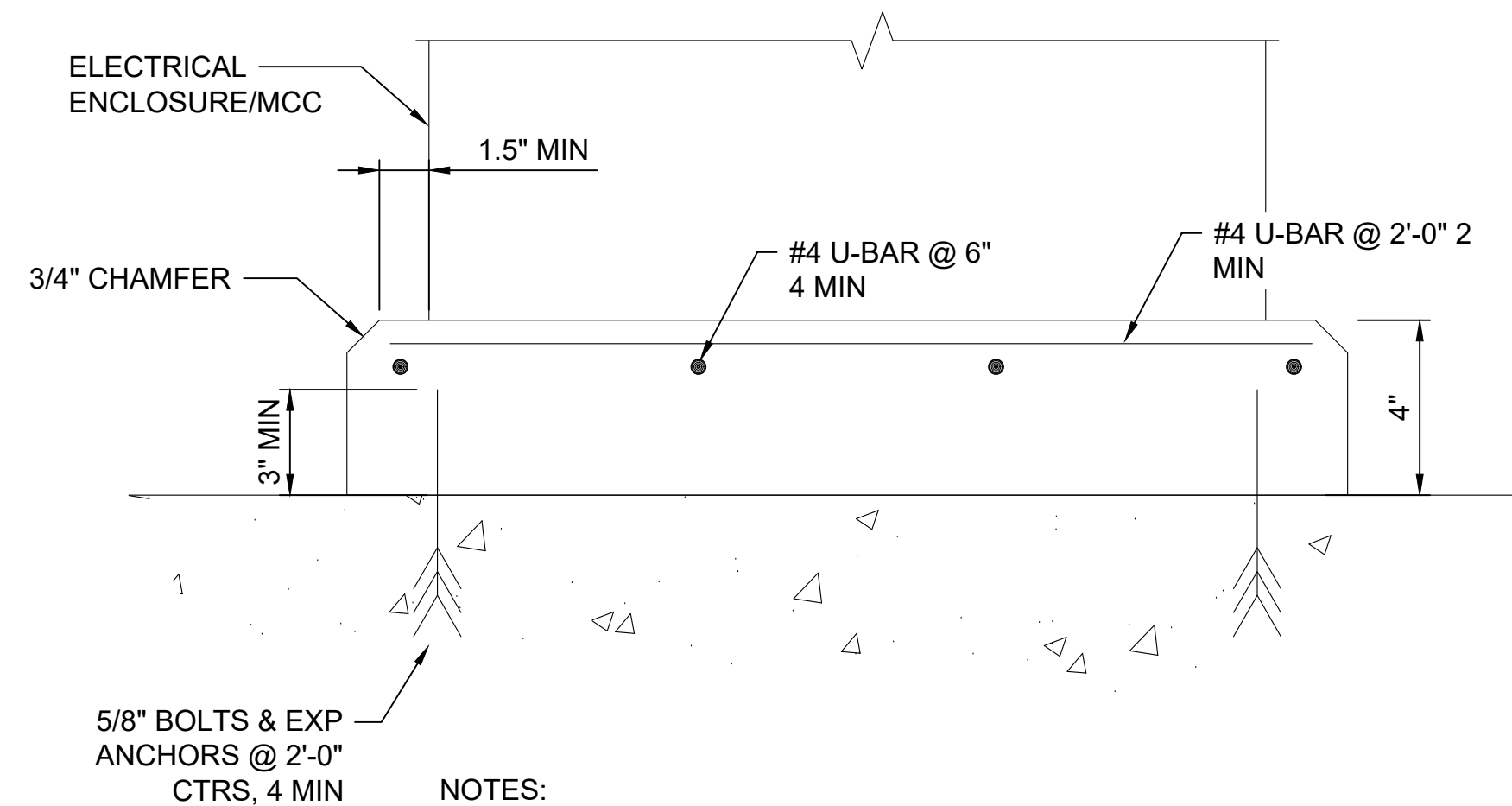


NOTES:
1. CONDUITS SHALL BE MOUNTED TO BEST SUITE FIELD CONDITIONS.

D1 CONDUIT MOUNTING DETAIL
SCALE: NTS

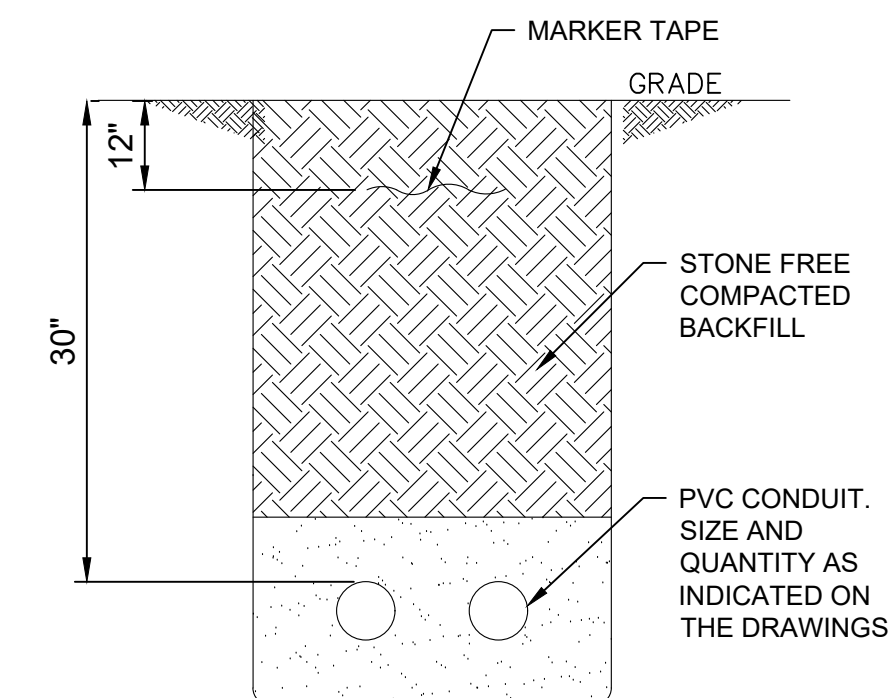


D2 ENCLOSURE MOUNTING DETAIL
SCALE: NTS



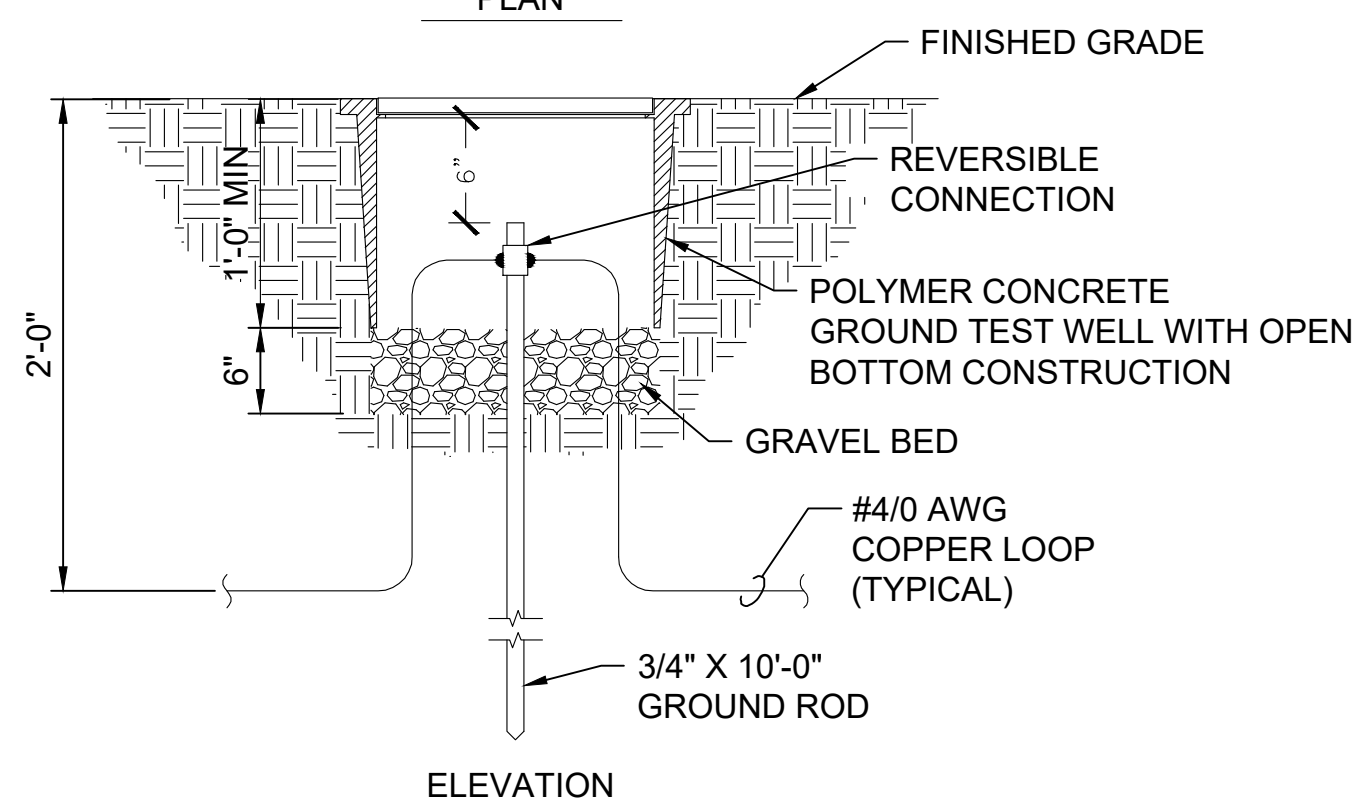
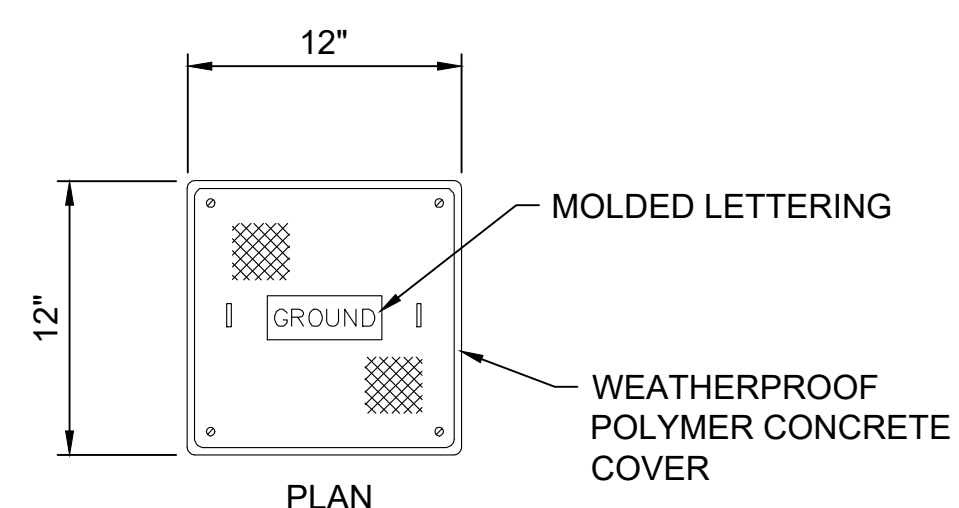
NOTES:
1. SIZE AND PROVIDE SLEEVES AS REQUIRED FOR EXTENDING EXISTING INSLAB CONDUITS.

D3 INTERIOR ELECTRICAL EQUIPMENT PAD
SCALE: NTS



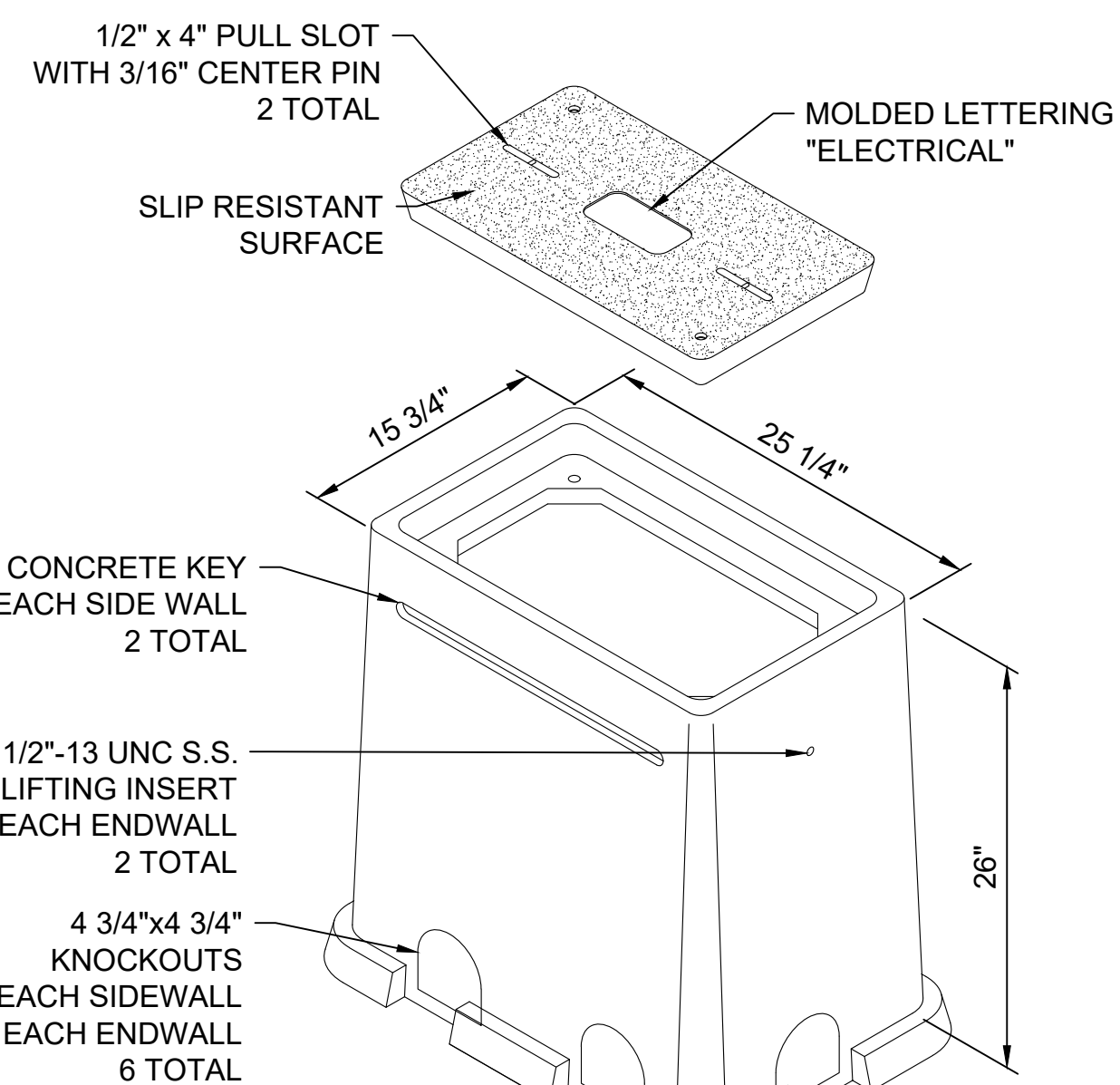
NOTES:
1. DUCTS TO BE SPACED A MINIMUM OF 3\"/>

D4 DIRECT BURIAL DETAIL
SCALE: NTS



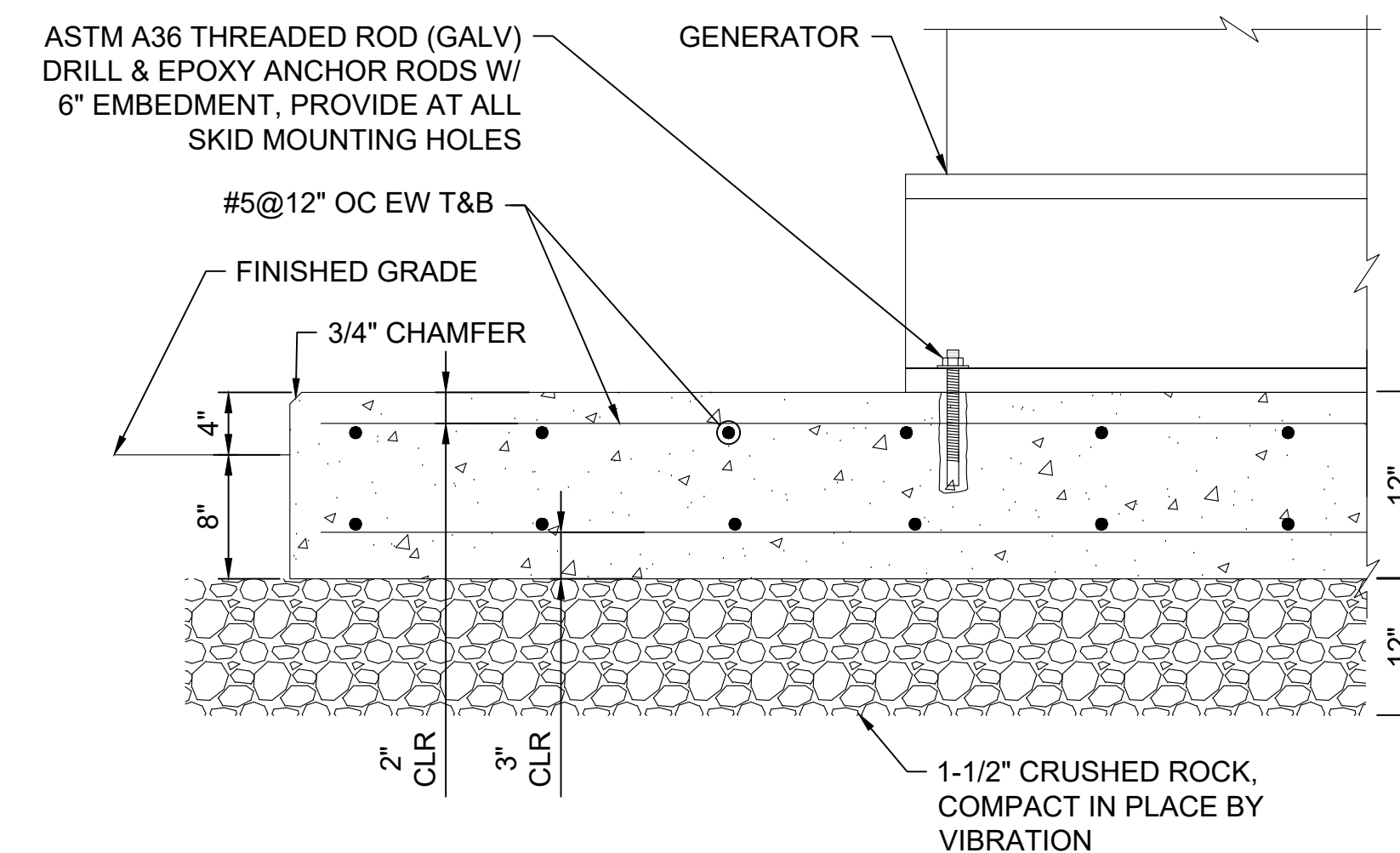
NOTES:
1. ALL GROUNDING CONNECTION SHALL BE IN ACCORDANCE WITH NEC ARTICLE 250.

D5 GROUND TEST WELL DETAIL
SCALE: NTS



NOTES:
1. POLYMER CONCRETE FRAME AND NON-SKID COVER FOR STRENGTH. FLARED AT BASE TO PROVIDE ADDITIONAL WORK SPACE.

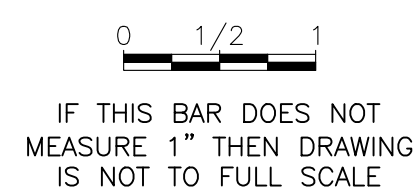
D6 ELECTRIC HANDHOLE DETAIL
SCALE: NTS



NOTES:
1. GENERATOR PAD SHALL EXTEND A MINIMUM OF 1'-0\"/>

D7 GENERATOR PAD DETAIL
SCALE: NTS

DRAWING No.	DRAWING TITLE	No.	DESCRIPTION	ISSUED FOR BID	DATE	BY
	REFERENCE DRAWING		REVISION			



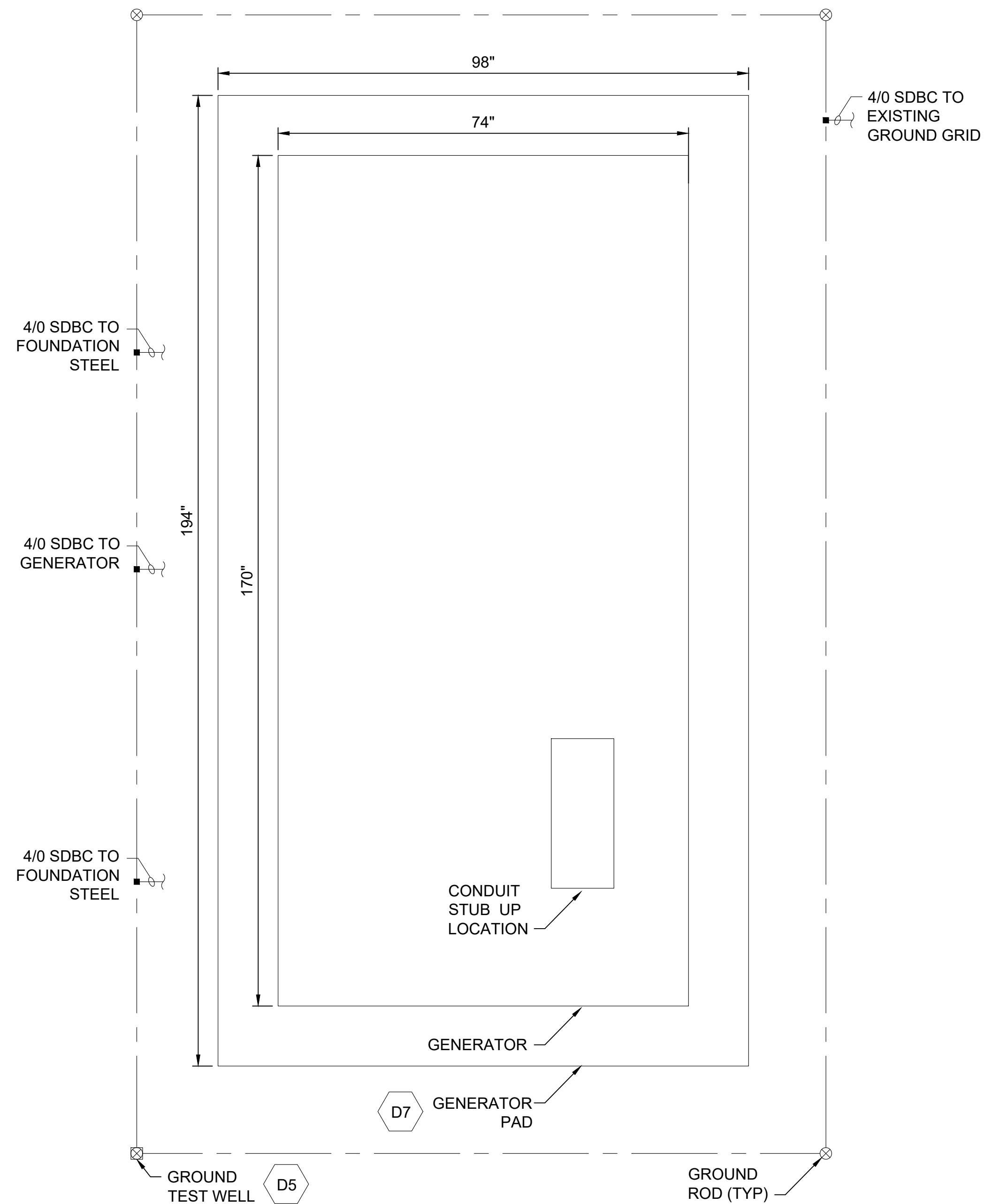
ENGINEERING STAMP:

CLIENT: CITY OF **Grand Junction** COLORADO

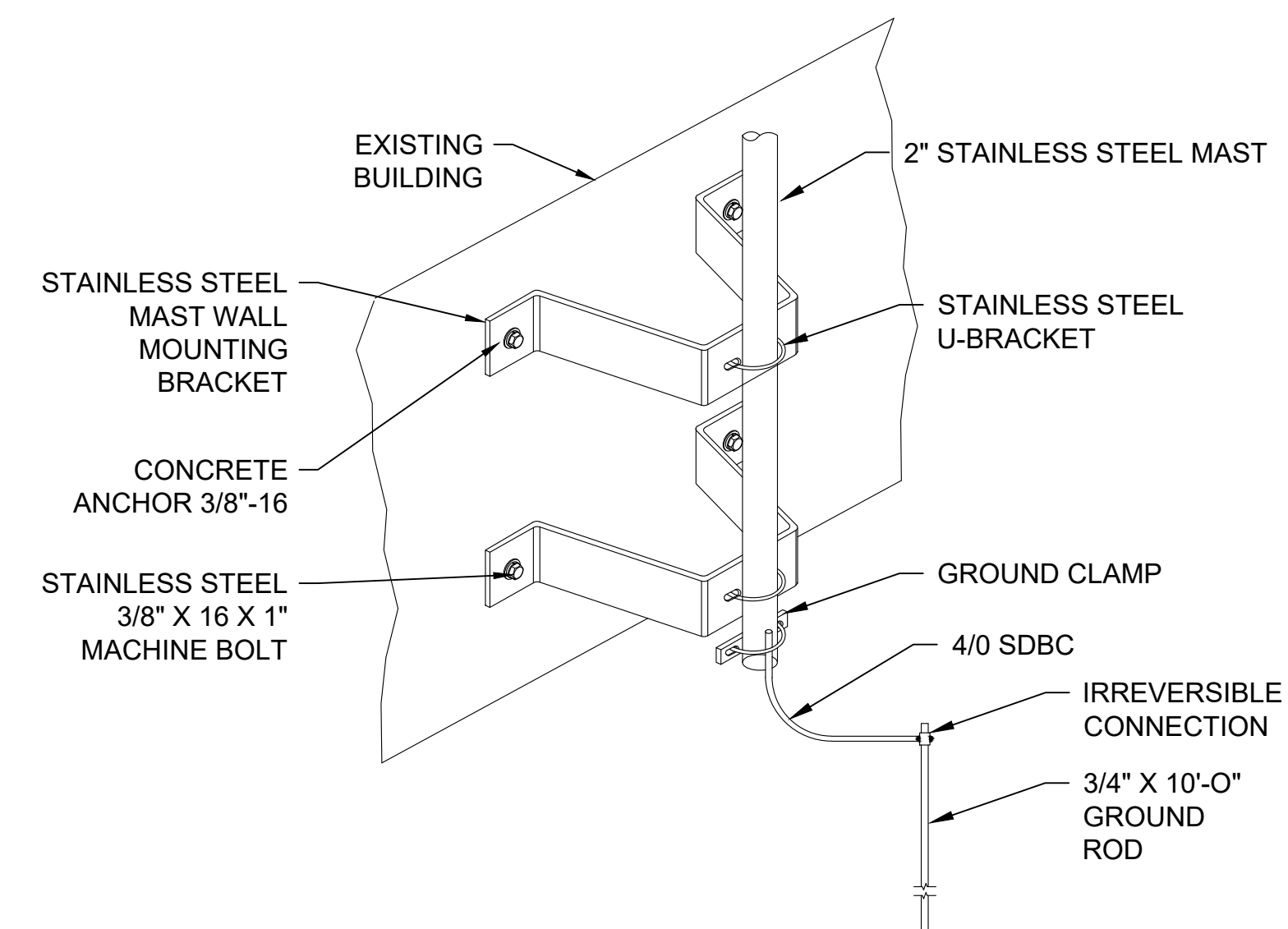
CONSULTANT: **MAGNA** ENGINEERING

SCALE:	NTS
DRAWN BY:	RL
DESIGNED BY:	RL
APPROVED BY:	JP

LOCATION:	PERSIGO	SITE:	WASTE WATER PLANT
PROJECT NAME:	MCC REPLACEMENT		
DRAWING TITLE:	ELECTRICAL DETAILS		
PROJECT No.	C5041-3	DRAWING No.	ED-1
SHEET NO.	15	OF SHEET	0



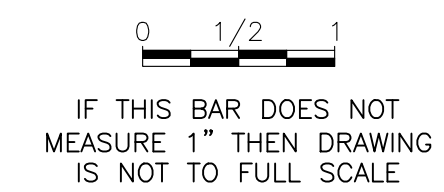
D8 GENERATOR INSTALLATION DETAIL
SCALE: NTS



- NOTES:
1. CONTRACTOR SHALL SEAL CONDUIT OPENINGS WATER TIGHT AND PROVIDE CABLE SEAL FOR COAX CABLE.
 2. CONTRACTOR SHALL REFER TO ANTENNA MANUFACTURER DOCUMENTATION FOR ANTENNA MOUNTING DETAILS.
 3. MOUNTING LOCATION AND MAST HEIGHT SHALL BE DETERMINED BY RADIO PATH STUDY.

D9 FLOW EQ ANTENNA MOUNTING DETAIL
SCALE: NTS

DRAWING No.	DRAWING TITLE	No.	DESCRIPTION	DATE	BY
		0	ISSUED FOR BID	4/8/2021	RL
	REFERENCE DRAWING		REVISION		



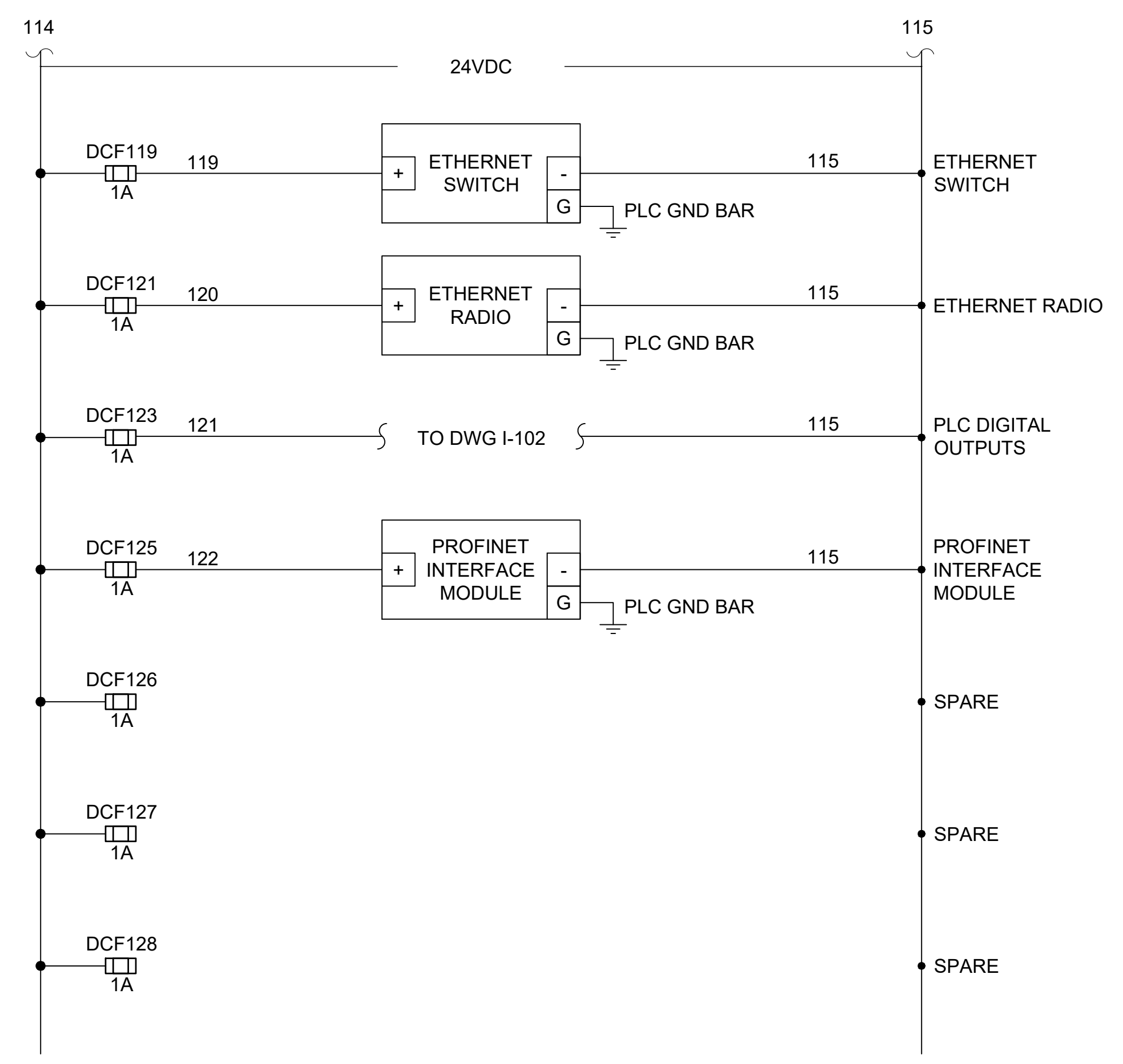
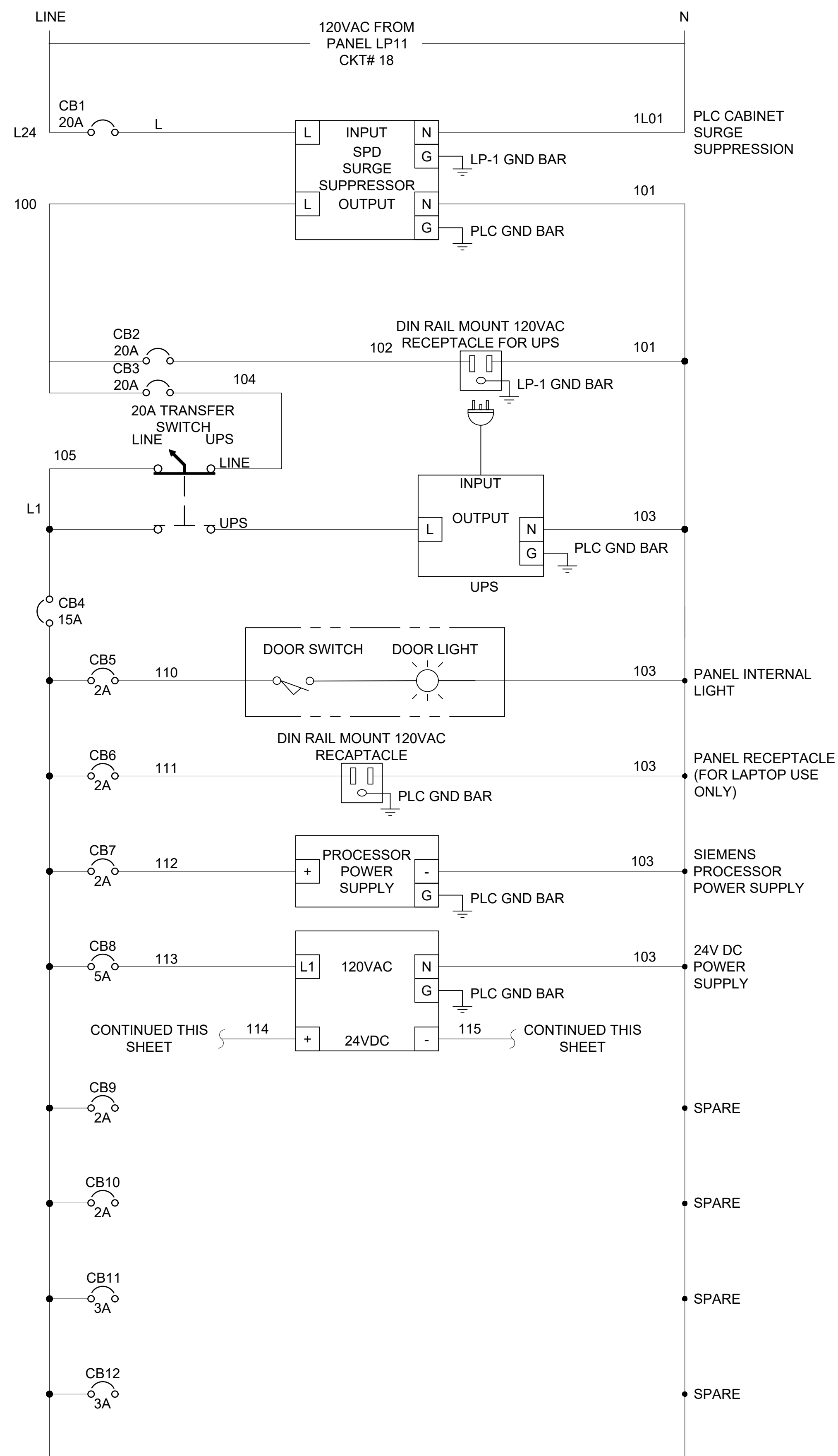
ENGINEERING STAMP:

CLIENT: **CITY OF Grand Junction COLORADO**

CONSULTANT: **MAGNA ENGINEERING**

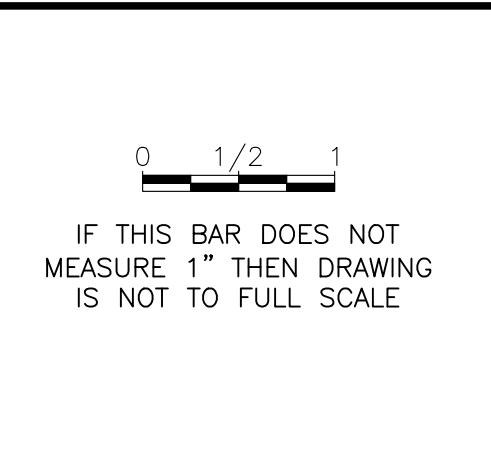
SCALE:	NTS
DRAWN BY:	RL
DESIGNED BY:	RL
APPROVED BY:	JP

LOCATION:	PERSIGO	SITE:	WASTE WATER PLANT
PROJECT NAME:	MCC REPLACEMENT		
DRAWING TITLE:	ELECTRICAL DETAILS		
PROJECT No.	C5041-3	DRAWING No.	ED-2
SHEET NO.	16	OF SHEET	0



- NOTES:
1. SCHEMATICS SHOWN FOR GENERAL INTENT ONLY. CONTRACTOR SHALL DESIGN SCHEMATICS TO MATCH INTENT AND INSTALLED INSTRUMENTS AND DEVICES.
 2. CONTRACTOR SHALL PROVIDE AS-BUILT IF DEVICE SELECTION CHANGES.

DRAWING No.	DRAWING TITLE	No.	DESCRIPTION	DATE	BY
	REFERENCE DRAWING		REVISION		



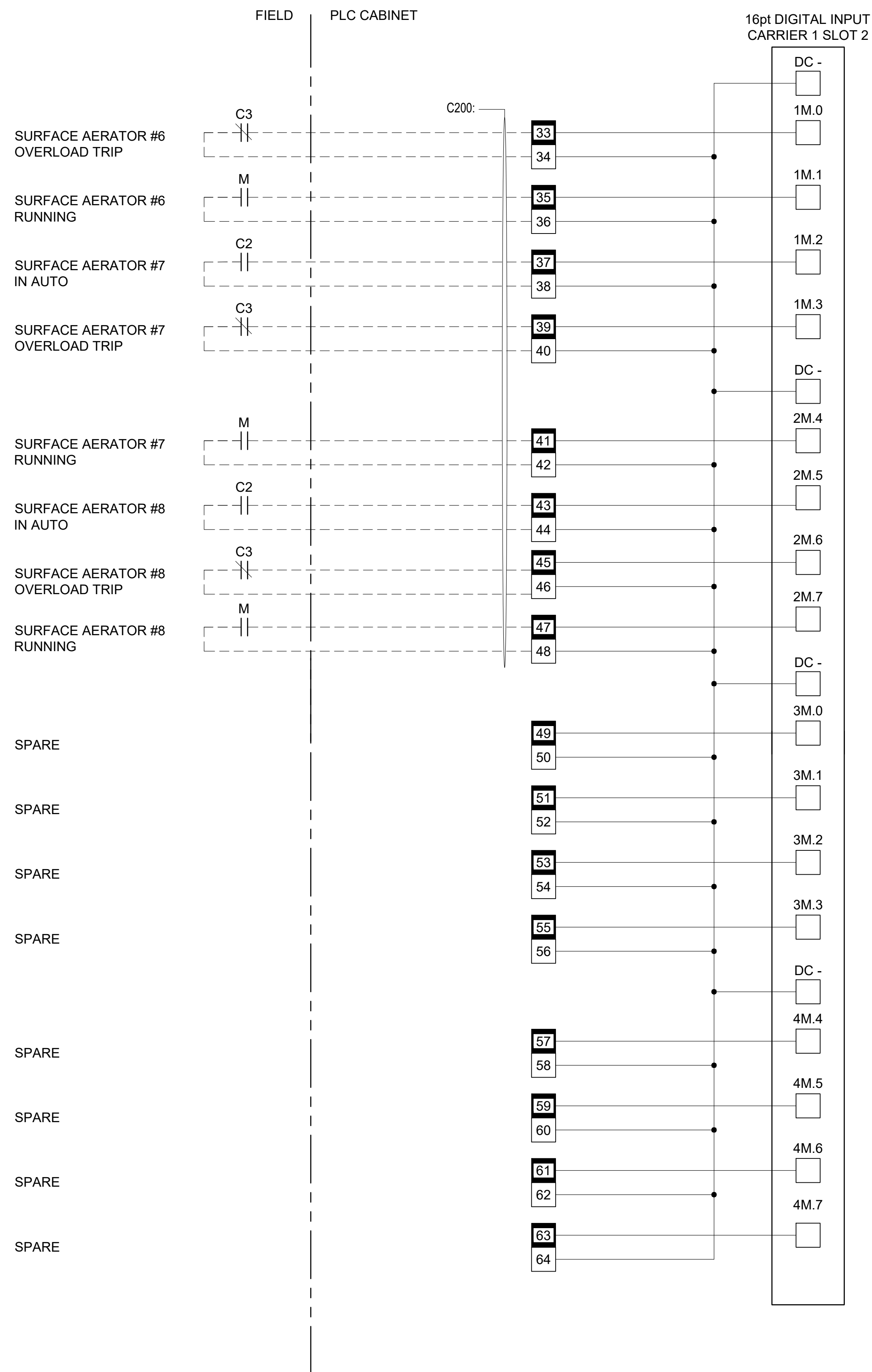
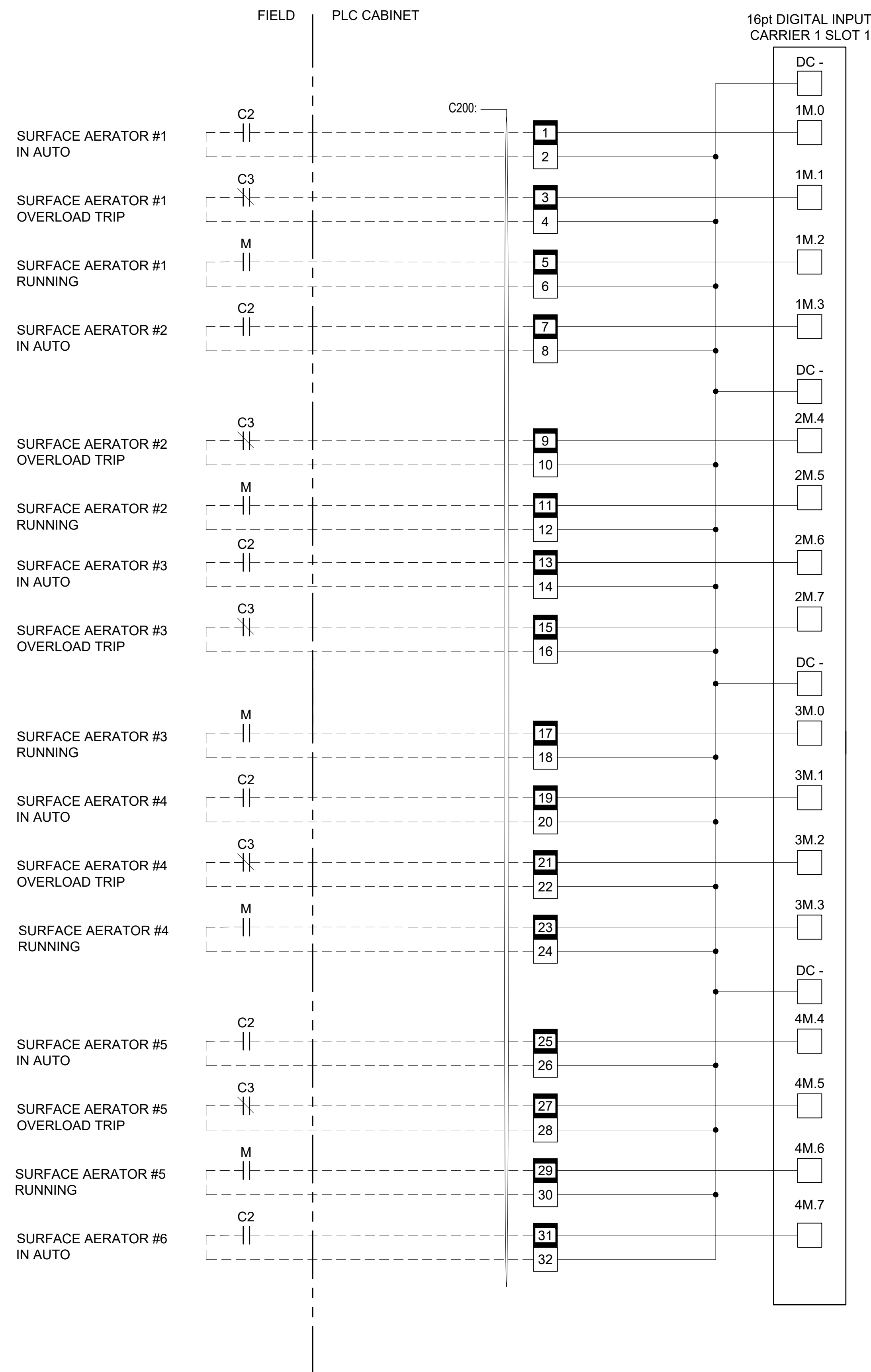
ENGINEERING STAMP:

CLIENT: **CITY OF Grand Junction COLORADO**

CONSULTANT: **MAGNA ENGINEERING**

SCALE:	NTS
DRAWN BY:	RL
DESIGNED BY:	RL
APPROVED BY:	JP

LOCATION:	PERSIGO	SITE:	WASTE WATER PLANT
PROJECT NAME:	MCC REPLACEMENT		
DRAWING TITLE:	FLOW EQ SCADA REMOTE IO PANEL POWER DISTRIBUTION		
PROJECT No.	C5041-3	DRAWING No.	I-100
SHEET NO. OF SHEET	17	REV.	0



LEGEND:

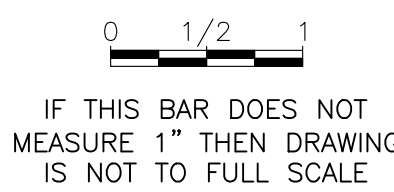
FUSED TERMINAL BLOCK

TERMINAL BLOCK

NOTES:

- SCHEMATICS SHOWN FOR GENERAL INTENT ONLY. CONTRACTOR SHALL DESIGN SCHEMATICS TO MATCH INTENT AND INSTALLED INSTRUMENTS AND DEVICES.

DRAWING No.	DRAWING TITLE	No.	DESCRIPTION	DATE	BY
0	ISSUED FOR BID			4/8/2021	RL
	REFERENCE DRAWING		REVISION		



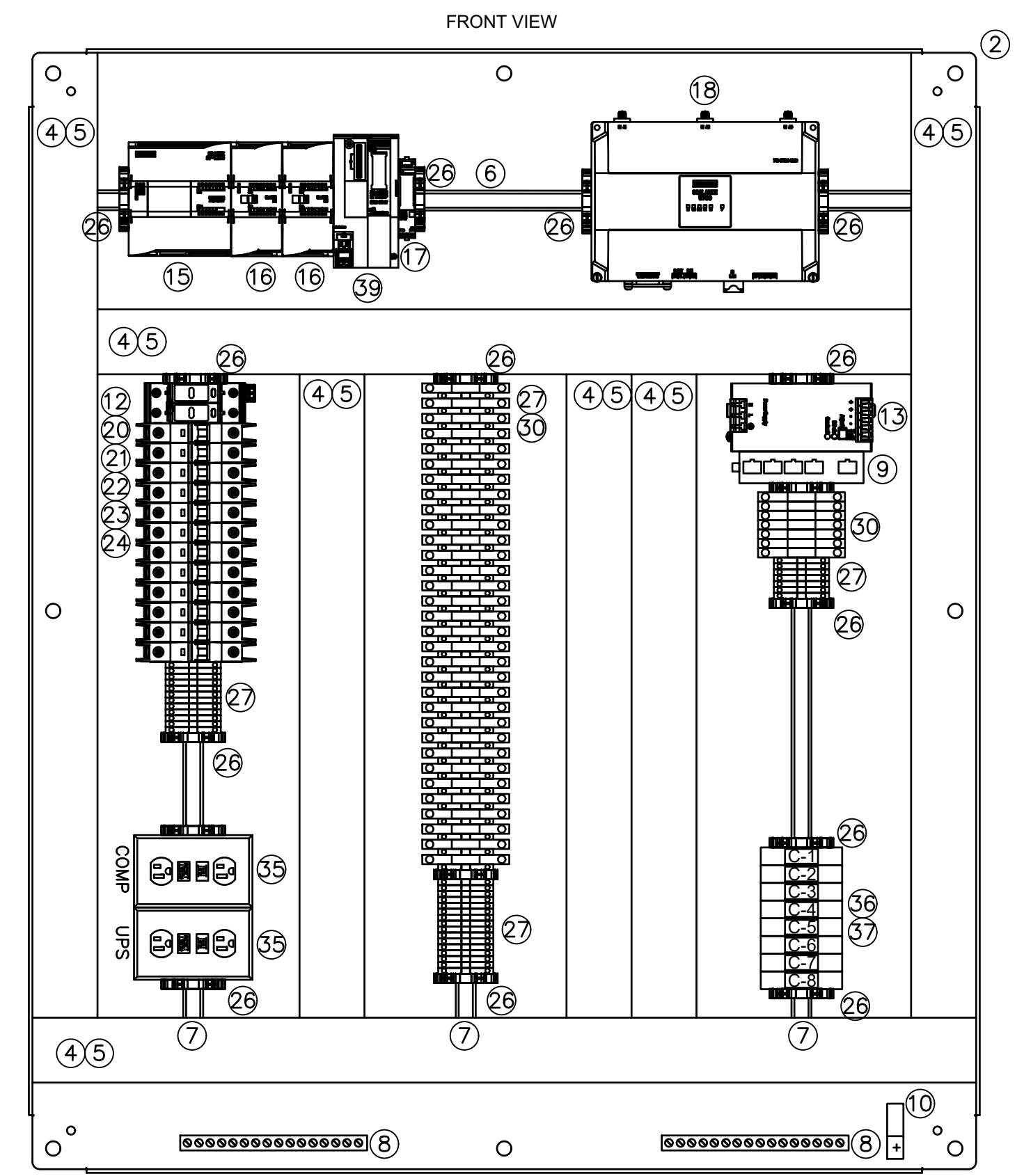
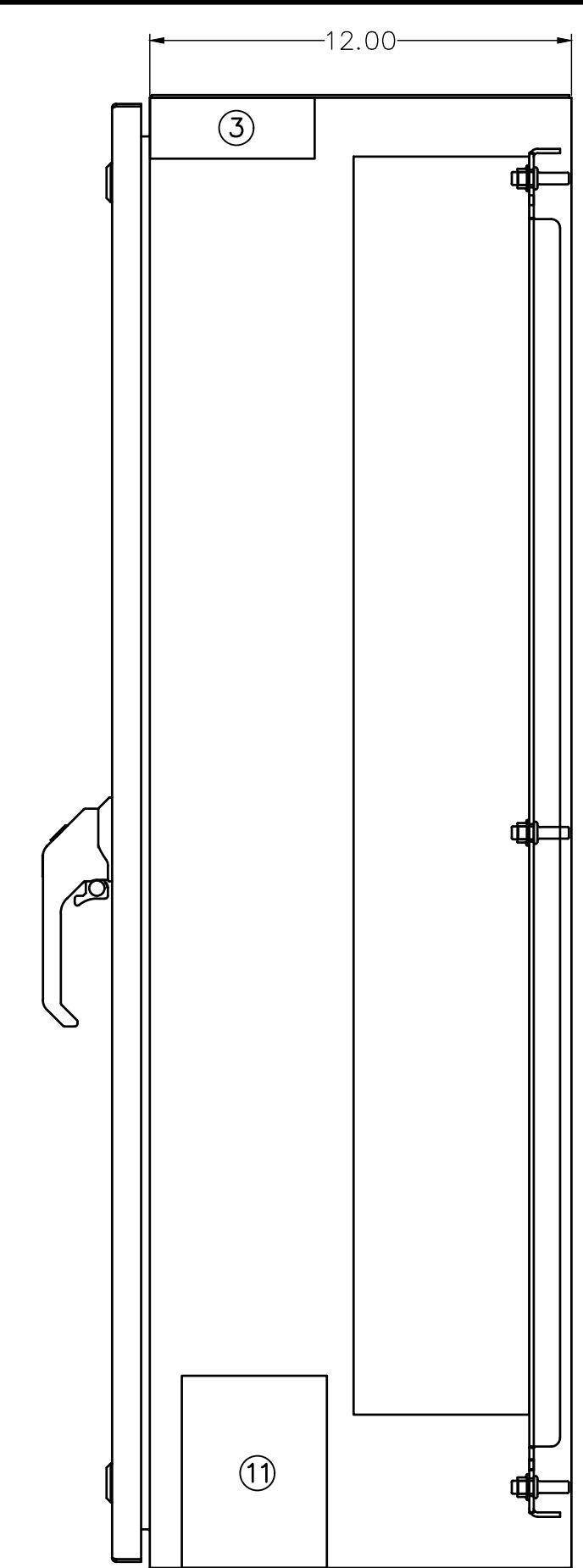
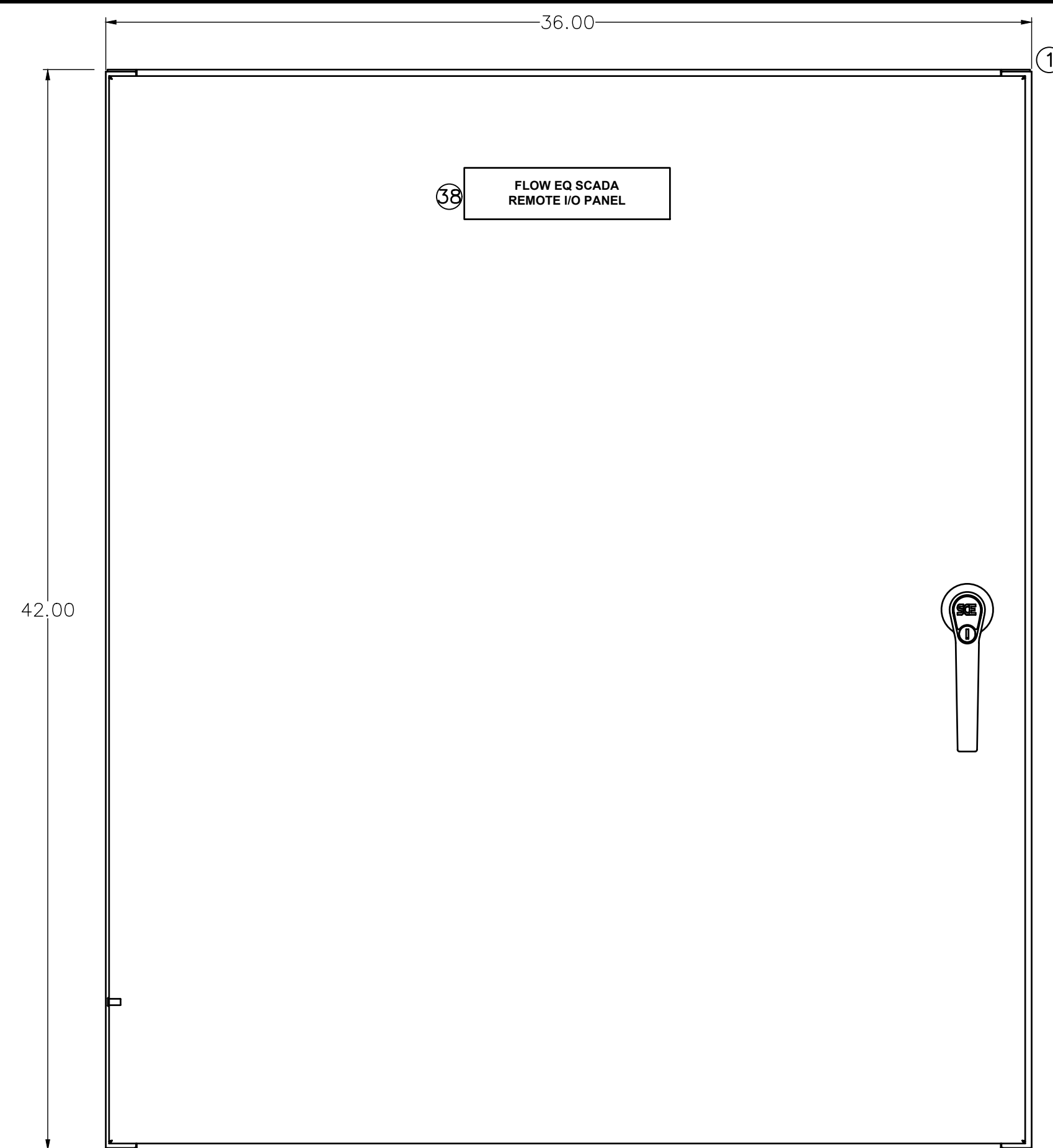
ENGINEERING STAMP:

CLIENT: **CITY OF Grand Junction COLORADO**

CONSULTANT: **MAGNA ENGINEERING**

SCALE:	NTS
DRAWN BY:	RL
DESIGNED BY:	RL
APPROVED BY:	JP

LOCATION:	PERSIGO	SITE:	WASTE WATER PLANT
PROJECT NAME:	MCC REPLACEMENT		
DRAWING TITLE:	FLOW EQ SCADA REMOTE IO PANEL DIGITAL INPUTS		
PROJECT No.	C5041-3	DRAWING No.	I-100
SHEET NO. OF SHEET	17	REV.	0



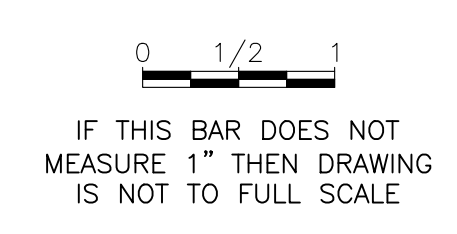
BACK PANEL FRONT VIEW

MATERIAL LIST					
ITEM	QTY	MANUFACTURER	PART NUMBER	DESCRIPTION	
1	1	SAGINAW ENCLOSURE	SCE-42EL3612LPPL	42"X36"X12" ENCLOSURE	
2	1	SAGINAW ENCLOSURE	SCE-42P36	42"X36" ENCLOSURE BACK PANEL	
3	1	SAGINAW ENCLOSURE	SCE-LF24	24" ENCLOSURE LIGHT FIXTURE	
4	AS REQ	PANDUIT	F2X5LG6	WIRE DUCT 2"X5" LT GRAY	
5	AS REQ	PANDUIT	C2LG6	WIRE DUCT COVER 2" LT GRAY	
6	AS REQ	ALLEN BRADLEY	199-DR2	DIN RAIL	
7	AS REQ	ALLEN BRADLEY	1492-DR6	HIGH RISE DIN RAIL	
8	2	ELECTRIC MOTION	EM 4250-12SSO	GROUND BAR	
9	1	PHOENIX CONTACT	2891001	5 PORT ETHERNET SWITCH	
10	1	BURNDY	KA31U	SINGLE BARREL GROUND LUG	
11	1	APC	BE850M2	850VA UPS	
12	1	PHOENIX CONTACT	2856812	SURGE ARRESTER	
13	1	PULS	QS10.241	24VDC 240W POWER SUPPLY	
NOT SHOWN	14	3	AUTOMATION DIRECT	C5E-STPBK-S7	SHIELDED ETHERNET CABLE 7FT
15	1	SIEMENS	6ES7212-1BE40-0XB0	SIMATIC CPU CONTROLLER	
16	2	SIEMENS	6ES7221-1BH32-0XB0	SIMATIC 16PT DIGITAL INPUT CARD	
17	1	SIEMENS	6ES71326BF010AA0	SIMATIC 8PT DIGITAL OUTPUT CARD	
18	1	SIEMENS	6GK5748-1FC00-0AA0	IWLAN CLIENT ETHERNET RADIO	
NOT SHOWN	19	1	SIEMENS	6GK5792-8DN00-0AA6	IWLAN RADIO ANTENNA
20	AS REQ	ALLEN BRADLEY	1489-A1D200	1 POLE 20A CIRCUIT BREAKER	
21	AS REQ	ALLEN BRADLEY	1489-A1D150	1 POLE 15A CIRCUIT BREAKER	
22	AS REQ	ALLEN BRADLEY	1489-A1D050	1 POLE 5A CIRCUIT BREAKER	
23	AS REQ	ALLEN BRADLEY	1489-A1D020	1 POLE 2A CIRCUIT BREAKER	
24	AS REQ	ALLEN BRADLEY	1489-A1D030	1 POLE 3A CIRCUIT BREAKER	
NOT SHOWN	25	AS REQ	PHOENIX CONTACT	3206212	FUSE BLOCK END PLATE
26	AS REQ	PHOENIX CONTACT	0800886	END CLAMP	
27	AS REQ	PHOENIX CONTACT	3031212	TERMINAL BLOCK	
NOT SHOWN	28	AS REQ	PHOENIX CONTACT	3030417	TERMINAL BLOCK END PLATE
NOT SHOWN	29	AS REQ	PHOENIX CONTACT	3030226	TERMINAL BLOCK CENTER JUMPER
30	AS REQ	PHOENIX CONTACT	3036385	FUSE BLOCK	
NOT SHOWN	31	AS REQ	PHOENIX CONTACT	3206212	FUSE BLOCK END PLATE
NOT SHOWN	32	AS REQ	PHOENIX CONTACT	3030323	FUSE BLOCK CENTER JUMPER
NOT SHOWN	33	AS REQ	BUSSMANN	MDA-1/2-R	1/2A FUSE 1/4"-1-1/4"
NOT SHOWN	34	AS REQ	BUSSMANN	MDA-1-R	1A FUSE 1/4"-1-1/4"
NOT SHOWN	35	AS REQ	PHOENIX CONTACT	5600462	DIN RAIL MOUNT GFCI RECEPTACLE
36	AS REQ	ALLEN BRADLEY	700-HK36A24	16A SPDT RELAY, 24VDC COIL	
37	2	ALLEN BRADLEY	700-HN121	SPDT RELAY SOCKET	
38	1	-	PHENOLIC TAG	FLOW EQ BASIN SCADA REMOTE I/O PANEL	
39	1	SIEMENS	ES71556AU010BN0	SIMATIC PROFINET INTERFACE MODULE	

NOTES:

- ALL ENCLOSURE PENETRATIONS SHALL MAINTAIN ENCLOSURE NEMA RATING.
- PART NUMBERS ARE SHOWN FOR DESIGN INTENT ONLY. CONTRACTOR SHALL COORDINATE EXACT PART NUMBERS WITH CITY OF GRAND JUNCTION AND CONTROLS INTEGRATOR. ALL ANCILLARY COMPONENTS SHALL BE PROVIDED FOR A FULLY FUNCTIONAL SYSTEM.
- PROVIDE AND INSTALL INTRINSICALLY SAFE DEVICES AS REQUIRED FOR INSTRUMENTS LOCATED IN CLASS 1 DIVISION 1 LOCATIONS.

DRAWING No.	DRAWING TITLE	No.	DESCRIPTION	DATE	BY
0	ISSUED FOR BID			4/8/2021	RL
	REFERENCE DRAWING		REVISION		



ENGINEERING STAMP:

CLIENT: **CITY OF Grand Junction COLORADO**

CONSULTANT: **MAGNA ENGINEERING**

SCALE:	NTS
DRAWN BY:	RL
DESIGNED BY:	RL
APPROVED BY:	JP

LOCATION:	PERSIGO	SITE:	WASTE WATER PLANT
PROJECT NAME:	MCC REPLACEMENT		
DRAWING TITLE:	FLOW EQ SCADA REMOTE I/O PANEL ENCLOSURE		
PROJECT No.	C5041-3	DRAWING No.	1-103
SHEET NO. OF SHEET	19	REV.	0



Purchasing Division

ADDENDUM NO. 1

DATE: June 15, 2021
FROM: City of Grand Junction Purchasing Division
TO: All Interested Parties
RE: Persigo WWTP Electrical Equipment Procurement IFB-4915-21-SH

Bidders responding to the above referenced solicitation are hereby instructed that the requirements have been clarified, modified, superseded and supplemented as to this date as hereinafter described.

Please make note of the following:

Question 1. The MCC's are listed as Siemens or approved Equal. I'd be interested in submitting an equal quote for the MCC's, Panelboards, and Transformer. Can we get those approved as equal for purposes of this bid?

Answer: Persigo has standardized all of the MCC throughout the plant to Siemens, and to minimize spare parts and confusion the City will not be considering other brands at this time.

The original solicitation for the project referenced above is amended as noted.

All other conditions of subject remain the same.

Respectfully,

A handwritten signature in blue ink that reads "Susan J. Hyatt".

Susan Hyatt, Senior Buyer
City of Grand Junction, Colorado

4. REVISED Contractor's Bid Form

Bid Date: 07/09/21

Project: **IFB-4915-21-SH "Electrical Equipment Purchase – Persigo Wastewater Treatment Plant Improvements"**

Bidding Company: Crum Electric Supply

Name of Authorized Agent: Dale Cirbo

Email dcirbo@crum.com

Telephone 970-615-0877 Address 726 Scarlet Street

City Grand Junction State CO Zip 81505

The undersigned Bidder, in compliance with the Invitation for Bids, having examined the Instruction to Bidders, General Contract Conditions, Statement of Work, Specifications, and any and all Addenda thereto, having investigated the location of, and conditions affecting the proposed work, hereby proposes to furnish all labor, materials and supplies, and to perform all work for the Project in accordance with Contract Documents, within the time set forth and at the prices stated below. These prices are to cover all expenses incurred in performing the work required under the Contract Documents, of which this Contractor's Bid Form is a part.

The undersigned Contractor does hereby declare and stipulate that this offer is made in good faith without collusion or connection to any person(s) providing an offer for the same work, and that it is made in pursuance of, and subject to, all terms and conditions of the Instructions to Bidders, the Specifications, and all other Solicitation Documents, all of which have been examined by the undersigned.

The Contractor also agrees that if awarded the Contract, to provide insurance certificates within ten (10) working days of the date of Notification of Award. Submittal of this offer will be taken by the Owner as a binding covenant that the Contractor will be prepared to complete the project in its entirety.

The Owner reserves the right to make the award on the basis of the offer deemed most favorable, to waive any formalities or technicalities and to reject any or all offers. It is further agreed that this offer may not be withdrawn for a period of sixty (60) calendar days after closing time. Submission of clarifications and revised offers automatically establish a new thirty day (30) period.

Prices in the bid proposal have not knowingly been disclosed with another provider and will not be prior to award.

- Prices in this bid proposal have been arrived at independently, without consultation, communication or agreement for the purpose of restricting competition.
- No attempt has been made nor will be to induce any other person or firm to submit a bid proposal for the purpose of restricting competition.
- The individual signing this bid proposal certifies they are a legal agent of the offeror, authorized to represent the offeror and is legally responsible for the offer with regard to supporting documentation and prices provided.
- Direct purchases by the City of Grand Junction are tax exempt from Colorado Sales or Use Tax. Tax exempt No. 98-903544. The undersigned certifies that no Federal, State, County or Municipal tax will be added to the above quoted prices.
- City of Grand Junction payment terms shall be Net 30 days.
- Prompt payment discount of standard percent of the net dollar will be offered to the Owner if the invoice is paid within net 30 days after the receipt of the invoice. The Owner reserves the right to take into account any such discounts when determining the bid award.

RECEIPT OF ADDENDA: the undersigned Contractor acknowledges receipt of Addenda to the Solicitation, Specifications, and other Contract Documents.

State number of Addenda received: 1.

It is the responsibility of the Bidder to ensure all Addenda have been received and acknowledged.
By signing below, the Undersigned agree to comply with all terms and conditions contained herein.

Company: Crum Electric Supply

Authorized Signature: _____

Title: Dale E Cirbo

REVISED Bid Schedule: Electrical Equipment Purchase - Persigo WWTP Electrical Improvements

Item No.	Description	Quantity	Units	Unit Price	Total Price
1	Diesel Generator Set (Cummins Onan)	1.	EA	\$ <u>No Quote</u>	\$ <u>No Quote</u>
2	Automatic Transfer Switch (Cummins)	1.	EA	\$ <u>No Quote</u>	\$ <u>No Quote</u>
3	Transformer (Siemens)	1.	EA	\$ <u>1,227.83</u>	\$ <u>1,227.83</u>
4	Panelboard (HP-11) (Siemens)	1.	EA	\$ <u>2,740.33</u>	\$ <u>2,740.33</u>
5	Panelboard (LP-11) (Siemens)	1.	EA	\$ <u>1,520.77</u>	\$ <u>1,520.77</u>
6	MCC-11 Switchgear (Siemens)	1.	LS	\$ <u>43,735.34</u>	\$ <u>45,735.34</u>
7	MCC-3 Switchgear (Siemens)	1.	LS	\$ <u>20,646.74</u>	\$ <u>20,646.74</u>
Bid Amount:					\$ <u>69,871.01</u>

Bid Amount:

SIXTY NINE THOUSAND EIGHT HUNDRED SEVENTY ONE DOLLARS AND ONE CENT **dollars**
(Written)

To: CRUM ELECTRIC SUPPLY CO. INC
726 SCARLET ST
GRAND JUNCTION, CO 81505-9430
USA

From: CRUM ELECTRIC SUPPLY
726 scarlet street
Grand Junction, 20186 81505

Attention:

DALE CIRBO
Tel. No.: 19706150877
dcirbo@crum.com

Job Name: Persigo WWTP
Quote Name: Persigo WWTP
Quote #: harrb100_06242100_00_00_M00
Bid Date: 06/24/2021

Siemens Industry, Inc. (Company) agrees to sell to Purchaser and Purchaser agrees to purchase from the Company the goods described below. Written quotations are valid for 30 calendar days from price approval date unless otherwise stated in the quotation. Quotations are subject to change by Siemens Industry, Inc. at any time upon written notice to Purchaser. Quoted Lead times refer to the manufacturing cycles, in working days, at time of quotations and are subject to change.

Quote Notes:

Line #:	Qty	Description
20000	1	HP11--PANELBOARD P1
		1 - SECTION P1E42ML250CTST, System Voltage: 480Y/277 3Ø 4W Wye AC, IR @ 42,000 AIC, Top Feed, Surface Mount, Bus Rating: 250A, Bus Material: Copper, Plating: Tin, NEMA 1 INDOOR.
		1 - INTERIOR W/ 250A MAIN LUG
		1 - Subfeed/Feedthru Provision
		1 - AL/CU Main Lug
		1 - Gnd Conn-Shipped w/ Interior
		1 - Std Al/Cu Gnd Connector
		1 - Master NP Secured -Adhesive
		1 - 250A 100% Neutral 42Cir AL
		1 - Card Holder-Std Plastic Sleeve
		1 - Seismically Qualified
		1 - Certification - UL
		18 - GB PROVISION
		4 - 30A /3P-3VA41-HEAB
		1 - 3VA Mechanical (1)#14-3/0 AL Lug
		1 - Catalog #: 3VA41306ED340AA0
		12 - 20A /1P-3VA41-HEAB
		1 - 3VA Mechanical (1)#14-3/0 AL Lug
		1 - Catalog #: 3VA41206ED140AA0
		Enclosure, Catalog Number B44
		1 - 12
		Front, Catalog Number S44B
		1 - FAS-LATCH FRONT ASSY 20W 44H, SURFACE
		Sell Price \$1,949.56

21000	1	LP11--PANELBOARD P1	
		<ul style="list-style-type: none"> 1 - SECTION P1C42BL060CTST, System Voltage: 208Y/120 3Ø 4W Wye AC, IR @ 10,000 AIC, Top Feed, Surface Mount, Bus Rating: 250A, Bus Material: Copper, Plating: Tin, NEMA 1 INDOOR. 1 - INTERIOR W/ 60A /3P-BL MAIN BREAKER <ul style="list-style-type: none"> 1 - Subfeed/Feedthru Provision 1 - Gnd Conn-Shipped w/ Interior 1 - Std Al/Cu Gnd Connector 1 - 250A 100% Neutral 42, 54Cir AL 1 - Card Holder-Std Plastic Sleeve 1 - Seismically Qualified 1 - RP1 3 Phase Main Kit BL/BQD 1 - Certification - UL 1 - Catalog #: B360 23 - BL/BQD PROVISION <ul style="list-style-type: none"> 1 - 20A /2P-BL <ul style="list-style-type: none"> 1 - Catalog #: B220 17 - 20A /1P-BL <ul style="list-style-type: none"> 1 - Catalog #: B120 	
		<ul style="list-style-type: none"> Enclosure, Catalog Number B44 1 - 12 Front, Catalog Number S44B 1 - FAS-LATCH FRONT ASSY 20W 44H, SURFACE 	
		Sell Price	\$567.29
<hr/>			
22000	1	MCC-11--MCC	
		<ul style="list-style-type: none"> MCC-11, TIASTAR, 20 (Front Only), Circuit Breaker, 480 3Ø3W AC, 60 Hz, 65,000, 1A - Indoor gasketed, 600, Tin, Copper, IIs(Cust Unit/Interwiring Dia), Bd (Unit control tb). 1 - SECTION <ul style="list-style-type: none"> 1 - Encl. 20IN D Front Only 20IN W 1 - Type 1 Gasketing 1 - 600A Tin Plated H. Bus Copper 1 - 65,000A Bus Bracing 1 - 600A Tin Plated V. Bus 1 - 300A Tin Plated Horizontal Ground Bus Copper 1 - Ground Lug, (1) 6-300Kcmil 1 - Service Entrance Label 1 - Master Nameplate 1 - 600AF 400AT SHLD6 MCB. <ul style="list-style-type: none"> 1 - MCB, 600A Max, SHLD SHLD6 Trip Amperage 400 1 - 6IN Extra Unit Space 1 - Electronic Trip With Long Time, Instantaneous 1 - DIGITAL, POWER METER, PAC3200, M26 <ul style="list-style-type: none"> 1 - PAC3200 Meter Compression Terminals 3 - CT For Local Meter 400:5 2 - PT For Local Meter Line Voltage 480 8 - FVNR, CB, SZ 3, 20HP. <ul style="list-style-type: none"> 1 - FVNR Size 3, CB 20 HP 	

- 1 - INNOVA Contactor Type
- 1 - ESP200 Overload
- 1 - CPT 150VA 1 Sec. 2 Pri. Fuses Std. Cap.
- 1 - Class II Wiring
- 1 - 14AWG MTW Control Wire
- 1 - Wire Markers, Heat Shrink, Control Wires
- 1 - Pull-Apart Control Terminals
- 1 - Spare Aux. Contact NO 1
- 1 - Spare Aux. Contact NC 1
- 1 - Height 18 Width 16 Depth 8.347
- 1 - Pilot Light, RED, RUNNING, R
 - 1 - Pilot Light, 30mm Red
 - 1 - Legend = RUNNING
- 1 - Pilot Light, GREEN, OFF, GG
 - 1 - Pilot Light, 30mm Green
 - 1 - Legend = OFF
- 1 - Push Button, BLACK, OL TRIPPED, APB
 - 1 - Push Button, 30mm, Black Flush
 - 1 - Legend = OL TRIPPED
- 1 - Selector Switch, HAND OFF AUTO, H
 - 1 - 3 Position Selector Switch, 30mm
 - 1 - Legend = HAND OFF AUTO
- 1 - FVNR, CB, SZ 2, 10HP.
 - 1 - FVNR Size 2, CB 10 HP
 - 1 - INNOVA Contactor Type
 - 1 - ESP200 Overload
 - 1 - CPT 50VA 1 Sec. 2 Pri. Fuses Std. Cap.
 - 1 - Class II Wiring
 - 1 - 14AWG MTW Control Wire
 - 1 - Wire Markers, Heat Shrink, Control Wires
 - 1 - Pull-Apart Control Terminals
 - 1 - Spare Aux. Contact NO 1
 - 1 - Spare Aux. Contact NC 1
 - 1 - Height 12 Width 16 Depth 8.347
 - 1 - Pilot Light, RED, RUNNING, R
 - 1 - Pilot Light, 30mm Red
 - 1 - Legend = RUNNING
 - 1 - Pilot Light, GREEN, OFF, GG
 - 1 - Pilot Light, 30mm Green
 - 1 - Legend = OFF
 - 1 - Push Button, BLACK, OL TRIPPED, APB
 - 1 - Push Button, 30mm, Black Flush
 - 1 - Legend = OL TRIPPED
 - 1 - Selector Switch, HAND OFF AUTO, H
 - 1 - 3 Position Selector Switch, 30mm
 - 1 - Legend = HAND OFF AUTO
- 5 - SECTION
 - 1 - Encl. 20IN D Front Only 20IN W
 - 1 - Type 1 Gasketing

- 1 - 600A Tin Plated H. Bus Copper
- 1 - 65,000A Bus Bracing
- 1 - 600A Tin Plated V. Bus
- 1 - 300A Tin Plated Horizontal Ground Bus Copper
- 1 - 125AF 125AT LG FCB.
 - 1 - FCB, LGG Trip Amperage 125
 - 1 - Height 12 Width 16 Depth 8.347
- 1 - 125AF 60AT LG FCB.
 - 1 - FCB, LGG Trip Amperage 60
 - 1 - Height 12 Width 16 Depth 8.347
- 1 - 125AF 50AT LG FCB.
 - 1 - FCB, LGG Trip Amperage 50
 - 1 - Height 12 Width 16 Depth 8.347
- 7 - 18 X 16 SPACE.
 - 1 - Prepared Space Height 18
 - 1 - Height 18 Width 16 Depth 8.347
- 1 - 125AF 30AT LG FCB.
 - 1 - FCB, LGG Trip Amperage 30
 - 1 - Height 12 Width 16 Depth 8.347
- 1 - 6 X 16 SPACE.
 - 1 - Prepared Space Height 6
 - 1 - Height 6 Width 16 Depth 8.347
- 1 - 125AF 30AT LG FCB.
 - 1 - FCB, LGG Trip Amperage 30
 - 1 - 6IN Extra Unit Space
 - 1 - SPD, 100KA
 - 1 - Height 18 Width 16 Depth 8.347
- 1 - 54 X 16 SPACE.
 - 1 - Prepared Space Height 54
 - 1 - Height 54 Width 16 Depth 8.347

Sell Price	\$44,119.53
-------------------	--------------------

23000

1

VFD MCC--MCC

MCC 600A BREAKER_2, TIASTAR, 15, Circuit Breaker, 480 3Ø3W AC, 60 Hz, 65,000, 1A - Indoor gasketed, 800, Tin, Copper, I (Std. Unit Diagrams Only), Bd (Unit control tb).

- 1 - SECTION
 - 1 - Encl. 15IN Front Only 20IN W
 - 1 - Type 1 Gasketing
 - 1 - 800A Tin Plated H. Bus Copper
 - 1 - 65,000A Bus Bracing
 - 1 - 600A Tin Plated V. Bus
 - 1 - 300A Unplated Horizontal Ground Bus Copper
 - 1 - Ground Lug, (1) 6-300Kcmil
- 1 - 800A Main Lug Only.
 - 1 - MLO 800A, Top
- 1 - SPD.
 - 1 - SPD Unit
 - 1 - SPD, 100KA

- 1 - Height 6 Width 16 Depth 8.347
- 6 - 250AF 225AT HFD6 FCB.
 - 1 - FCB, 225A Max, HFD6 Trip Amperage 225
 - 1 - Height 18 Width 16 Depth 8.347
- 1 - SECTION
 - 1 - Encl. 15IN Front Only 20IN W
 - 1 - Type 1 Gasketing
 - 1 - 800A Tin Plated H. Bus Copper
 - 1 - 65,000A Bus Bracing
 - 1 - 600A Tin Plated V. Bus
 - 1 - 300A Unplated Horizontal Ground Bus Copper
- 1 - 125AF 30AT LG FCB.
 - 1 - FCB, LGG Trip Amperage 30
 - 1 - 6IN Extra Unit Space
 - 1 - SPD, 100KA
 - 1 - Height 18 Width 16 Depth 8.347

Sell Price	\$18,958.63
-------------------	--------------------

1000	1	T1--3F3RXXX -15KVA SERIES J ENCAP AL	Standard Dry Type, 3 Phase, 15 KVA, 480 Primary Voltage, 208Y/120 Secondary Voltage, Transformer Core: Aluminum-Wound, 2-5% FCBN Taps, 115C, Encapsulated, Wall Bracket Kit: PROVIDED. Catalog No.: A6X1082764
-------------	----------	---	---

Sell Price	\$953.74
-------------------	-----------------

Grand Total:	Sell Price	\$66,548.75
---------------------	-------------------	--------------------

Global Notes:

Important Update:

As a result of the global Covid-19 Virus outbreak, temporary delays in delivery, labor or services from Siemens and its sub-suppliers or subcontractors may occur. Among other factors, Siemens' delivery is subject to the correct and punctual supply from sub-suppliers or subcontractors, and Siemens reserves the right to make partial deliveries or modify its labor or services. While Siemens shall make every commercially reasonable effort to meet the delivery or service or completion date mentioned above, such date is subject to change and buyer shall not be entitled to any damages resulting from such delays.

Cancellation Schedule:

In the event that Buyer cancels the purchase order, or portions of the purchase order in writing, the following charges, as a percentage of the total purchase order price for the order, or application portions thereof, will apply:

After receipt of order or before approval drawings are completed	15%
After approval drawing completion, but before release to manufacturing	30%
Before start of fabrication, but after major component purchase	60%
After start of fabrication, but before start of assembly	80%
After assembly has started	100%

Price Policy: Standard quote is valid for 30 days from price approval date.

Hold for Release Pricing: Unless Siemens has agreed with the customer in writing, in advance to fixed pricing for an extended release date, any orders entered into COMPAS that have not been released by the customer within 90 days shall be subject to a monthly price increase of 2% per month.

Payment: Per Siemens distributor's terms.

Shipping: Shipment of goods will be made after receipt of all the following at Company's production facility: (a) Purchase Order / Electronic PO, (b) Technical Information, and if required (c) Drawing Approval.

Freight: Freight allowed on all orders over \$1,000 and shipped within the contiguous United States, provided Seller selects the Route Option: BESTRT -Best Route.

Delivery: FOB Shipping Point, unless stated otherwise.

Small Order Handling: Purchase orders below \$400 will incur a \$25 Small Order Handling (SOH) Fee.

Warranty: Warranty shall be in effect for a period of (1) year from initial operation of the goods but not more than eighteen (18) months from Siemens, shipment of the goods, unless stated otherwise.

Other: This proposal is subject to credit approval and US government regulation. It is also based on the Company's interpretation of the plans and specifications and is subject to correction for errors in such plans or specifications. This document and any other documents specifically referred to as being a part hereof constitute the entire agreement on the subject matter and it shall not be modified except in writing signed by both parties.
THIS PROPOSAL IS BASED UPON SIEMENS STANDARD TERMS AND CONDITIONS OF SALE ATTACHED HERETO AND INCLUDED HEREIN. Company hereby objects to any additional or different terms set forth in Purchaser's request for proposal, specifications, purchase order, or any other document of Purchaser. Acceptance of additional or different terms must be specifically assented to in writing by Company.

Federal Projects (This applies to Federal and Federally Funded Projects only):
Siemens represents that it is providing "commercial items" and services for sale within the definition of FAR 2.101. In keeping with its commercial market participation, Siemens is categorically exempt from any Cost & Pricing Data requirements. Siemens utilizes a commercial accounting system under International Financial Reporting Standards (IFRS); and is technically unable to comply with Federal Cost Accounting Standards & Certification and any FAR 31 requirements. Siemens Industry, Inc. is a Foreign Owned, Controlled, or Influenced ("FOCI") firm, under the definition contained in the National Industrial Security Program Operational Manual ("NISPOM") and cannot obtain a security clearance, or perform work requiring its compliance with the FAR 52.204-2 "Security Requirements." Siemens does not anticipate receiving or having any access to any USG Controlled Unclassified Information (CUI) or Covered Defense Information (CDI) in the performance of this contract. However, in the event that any CUI/CDI will be required by Siemens in the performance of this contract, contractor/customer agrees to formally notify Siemens of its intent to transmit or provide CUI/CDI prior to the transmittal of any such information. In that event, Siemens will provide a plan in order to compliantly address the requirements of FAR 52.204-21, DFARS 252.204-7008, 252.204-009 and/or 252.204-7012. Siemens shall not be held responsible for determining, or providing, its compliance with any federal requirements including, but not limited to any Buy America/Buy American requirements, unless the contractor/customer has provided the SPECIFIC federal flow-down provisions to Siemens, and received Siemens affirmation of compliance with the same prior to issuance of any Purchase Order or Contract.

SIEMENS STANDARD TERMS AND CONDITIONS OF SALE FOR PRODUCTS

Version 2.0/Restricted

Date: 12/09/2020

1. **APPLICABLE TERMS.** This Agreement governs the sale of equipment, components, parts, and materials provided by Siemens ("Products"). Any applicable addenda, these terms, Siemens proposal, price quote, purchase order, or acknowledgement issued by Siemens form the parties' final agreement ("Agreement"). In the event of a conflict between these documents, precedence shall apply in accordance with the order listed in the previous sentence. Siemens' proposal, offer or acceptance is conditioned on Buyer's acceptance of this Agreement. Any additional or conflicting terms in Buyer's request for proposal, specifications, purchase order or any other written or oral communication are not binding on Siemens unless separately signed by Siemens. Siemens' failure to object to Buyer's additional or conflicting terms does not operate as a waiver of any terms contained in this Agreement.

2. **PRICING & PAYMENT.** Prices and payment terms are: (i) as stated in Siemens' proposal, or if none are stated; (ii) Siemens' standard prices in effect when Siemens receives Buyer's purchase order; or if neither (i) or (ii) apply, then Siemens' standard prices in effect when the Products ship.

(a) *Payment.* Unless stated in Siemens' proposal, all payments are due net thirty (30) days from the invoice date in United States Dollars. Discounts, if any, are only applicable for payments made by cash, check, ACH or wire.

(b) *Credit Approval.* All orders are subject to credit approval by Siemens. Siemens may modify, suspend or withdraw the credit amount or payment terms at any time. If there is doubt as to Buyer's financial condition, Siemens may withhold manufacturing or shipment, require cash payments, or require other satisfactory security. Siemens may recover shipped Products from the carrier pending such assurances.

(c) *Installation Shipment.* Where Products are delivered in shipments or only part of a shipment fails to comply with this Agreement, the Buyer may only reject the non-compliant portion. Buyer will separately pay for each shipment. If Siemens holds or stores Products for Buyer, it shall do so at Buyer's sole risk and expense.

(d) *Taxes, Shipping, Packing, Handling.* Unless stated in writing by Siemens, Siemens' prices exclude charges for freight, unloading, storage, insurance, taxes, tariffs charged on the importation of goods into the United States, excises, fees, duties or other government charges related to the Products. Buyer will pay these amounts or reimburse Siemens. If Buyer claims a tax or other exemption or direct payment permit, Buyer will provide a valid exemption certificate or permit and indemnify, defend and hold Siemens harmless from any taxes, costs and penalties arising from same. Siemens' prices include the costs of its standard domestic packing only. Any packing deviation, including U.S. Government sealed packing, will be charged to Buyer. Increases, changes (including in application), adjustments or surcharges which may be incurred are for Buyer's account.

(e) *Late Payments.* Late payments shall bear interest at an annual percentage rate of twelve percent (12%) or the highest rate allowed by law, whichever is lower.

(f) *Disputed Invoice.* If Buyer disputes all or any portion of an invoice, it must first deliver written notice to Siemens of the disputed amount and the basis for the dispute within twenty-one (21) days of receiving the invoice. Failure of Buyer to timely notify Siemens of any dispute constitutes a waiver of Buyer's claim. If Buyer only disputes a portion of the invoice, Buyer must pay the undisputed portion in accordance with Article 2(a). Upon resolution of the dispute, Buyer must pay the invoice or the remainder of the invoice, plus any accrued interest on the late payment.

(g) *Suspension/Termination Right.* Siemens may suspend work if an undisputed invoice is more than thirty (30) days past due. Siemens may terminate this Agreement if an undisputed invoice is more than sixty (60) days past due. Unless prohibited by law, Siemens may also terminate this Agreement immediately in the event of a material adverse change in Buyer's financial condition including, but not limited to, bankruptcy, insolvency, liquidation or similar financial condition.

3. **DELIVERY; TITLE; RISK OF LOSS.** Products will be delivered F.O.B. Siemens point of shipment with title and risk of loss or damage passing to Buyer at that point. Buyer is responsible for all transportation, insurance and related expenses. The related expenses shall include any taxes, duties or documentation fees. Siemens may make partial shipments. Any shipping, delivery and installation dates are estimated dates only. Siemens is not liable for any loss or expense incurred by Buyer or Buyer's customers if Siemens fails to meet its delivery schedule.

4. **DEFERMENT AND CANCELLATION.** Buyer has no right to defer shipment but may cancel this Agreement on thirty (30) days written notice if Siemens has not already performed. If Buyer cancels this Agreement, it shall pay all cancellation charges including, without limitation: (i) the full price for any finished Product; (ii) for partially completed product, the portion of the price determined to be due by Siemens based on its percentage of completion of the Product; (iii) reasonable overhead and profit; and (iv) any payments due subcontractors and/or suppliers for any materials, components or products ordered which cannot be cancelled, refunded, or redirected for other beneficial use.

5. TRANSPORTATION AND STORAGE. (a) When Products are ready for shipment, Siemens will: (i) inform Buyer, and Buyer will then promptly give shipping instructions to Siemens; (ii) determine the method of transportation and shipment routing; and (iii) ship the Products with freight prepaid by normal transportation. If Buyer fails to provide timely shipping instructions, Siemens will ship the Products by normal transportation means to Buyer or to a storage location selected by Siemens. Buyer will pay or reimburse any excess transportation charges for special or expedited transportation.

(b) If Products are placed into storage, delivery occurs and risk of loss transfers to Buyer when the Products are placed on the carrier for shipment to the storage location. If the Products are to be stored in the facility where manufactured, delivery occurs and risk of loss transfers to Buyer when placed in the storage location.

Buyer will pay all Siemens' storage expenses, including but not limited to, preparation for and placement into storage, handling, freight, storage, inspection, preservation, maintenance, taxes and insurance, upon receipt of an invoice(s) from Siemens. When conditions permit and upon payment to Siemens of all amounts due, Buyer must arrange, at its expense, to remove the Products from storage. Buyer bears the risk of loss, damage or destruction to Products in storage.

6. FORCE MAJEURE / DELAYS. If Siemens' performance is delayed by any cause beyond its reasonable control (regardless of whether the cause was foreseeable), including without limitation acts of God, strikes, labor shortage or disturbance, fire, accident, war or civil disturbance, delays of carriers, cyber-attacks, terrorist attacks, failure of normal sources of supply, or acts or inaction of government, Siemens' time of performance will be extended by a period equal to the length of the delay plus any consequences of the delay. Siemens will notify Buyer within a reasonable time after becoming aware of any such delay.

7. BUYER'S REQUIREMENTS. Siemens' performance is contingent upon Buyer timely fulfilling all of its obligations under this Agreement. These obligations include the Buyer supplying all documents and approvals needed for Siemens to perform, including but not limited to technical information and data, drawing and document approvals, and necessary commercial documentation. Siemens may request a change order for an equitable adjustment in prices and times for performance, as well as for any additional costs or any delay resulting from the failure of Buyer or Buyer's contractors, successors or assigns to meet these obligations.

8. INDEMNITY. Siemens and Buyer (each as an "Indemnitor") shall indemnify the other ("Indemnitee") from and against all third party claims alleging bodily injury, death or damage to a third party's tangible property, but only to the extent caused by the Indemnitor's negligent acts or omissions. If the injury or damage is caused by the parties' joint or contributory negligence, the loss and/or expenses shall be borne by each party in proportion to its degree of fault. No part of the Product(s) or Buyer's site is considered third party property.

Indemnitee shall provide the Indemnitor with prompt written notice of any third party claims covered by this Article. Indemnitor has the unrestricted right to select and hire counsel and the exclusive right to conduct the legal defense and/or settle the claim on the Indemnitee's behalf. The Indemnitee shall not make any admission(s) which might be prejudicial to the Indemnitor and shall not enter into a settlement without the express permission of the Indemnitor.

9. WARRANTIES. (a) Warranties. Siemens warrants that: (i) each Product is free from defects in material and workmanship; (ii) each Product materially conforms to Siemens' specifications that are attached to, or expressly incorporated into this Agreement; and (iii) at the time of delivery, Siemens has title to each Product free and clear of liens and encumbrances (collectively, the "Warranties"). The Warranties do not apply to software furnished by Siemens. The sole and exclusive warranties for any software are set forth in the applicable Software License/Warranty Addendum.

(b) Conditions to the Warranties. The Warranties are conditioned on: (i) no repairs, modifications or alterations being made to the Product other than by Siemens or its authorized representatives; (ii) Buyer handling, using, storing, installing, operating and maintaining the Product in compliance with any parameters or instructions in any specifications attached to, or incorporated into this Agreement; (iii) compliance with all generally accepted industry standards; (iv) Buyer discontinuing use of the Product after it has, or should have had, knowledge of any defect; (v) Buyer providing prompt written notice of any warranty claims within the warranty period described below; (vi) at Siemens' discretion, Buyer either removing and shipping the Product or non-conforming part thereof to Siemens, at Buyer's expense, or granting Siemens reasonable access to the Products to assess the warranty claims; (vii) Product not having been subjected to accident (including force majeure), alteration, abuse or misuse; and (viii) Buyer not being in default of any payment obligation.

(c) Exclusions from Warranty Coverage. The Warranties do not apply to any equipment not provided by Siemens under this Agreement.

Any Product that is described as being experimental, developmental, prototype, or pilot is specifically excluded from the Warranties and is provided to Buyer "as is" with no warranties of any kind. Normal wear and tear is excluded, including any expendable items that comprise part of the Product (such as fuses, light bulbs and lamps). Siemens does not warrant or guarantee that any Product will be secure from cyber threats, hacking or similar malicious activity. Products that are networked, connected to the internet, or otherwise connected to computers or other devices must be appropriately protected by Buyer and/or end user against unauthorized access.

(d) Warranty Period. Buyer must provide written notice of any claims for breach of Warranties by the earlier of twelve (12) months from initial operation of the Product or eighteen (18) months from shipment. Additionally, absent written notice within the warranty period, any use or possession of the Product after expiration of the warranty period is conclusive evidence that the Warranties have been satisfied.

(e) Remedies. Buyer's sole and exclusive remedies for breach of the Warranties are limited, at Siemens' discretion, to repair or replacement of the Product, or its non-conforming parts, within a reasonable time period, or refund of all or part of the purchase price. The warranty on repaired or replaced parts is limited to the remainder of the original warranty period. Unless Siemens agrees otherwise in writing, Buyer will be responsible for any costs associated with: (i) gaining access to the Product; (ii) removal, disassembly, replacement, installation, or reinstallation of any equipment, materials or structures to permit Siemens to perform its warranty obligations; (iii) transportation to and from the Siemens factory or repair facility; and (iv) damage to equipment components or parts resulting in whole or in part from non-compliance by the Buyer with Article 9(b) or from their deteriorated condition. All exchanged Products replaced under this Warranty will become the property of Siemens.

(f) Transferability. The Warranties are only transferable during the warranty period and only to the Product's initial end-user.

(g) THE WARRANTIES IN THIS ARTICLE 9 ARE SIEMENS' SOLE AND EXCLUSIVE WARRANTIES AND ARE SUBJECT TO THE LIMITS OF LIABILITY IN ARTICLE 10 BELOW. SIEMENS MAKES NO OTHER WARRANTIES, EXPRESS OR IMPLIED, INCLUDING, WITHOUT LIMITATION, WARRANTIES OF MERCHANTABILITY OR FITNESS FOR A PARTICULAR PURPOSE, COURSE OF DEALING AND USAGE OF TRADE.

10. LIMITATION OF LIABILITY. NOTWITHSTANDING ANYTHING IN THIS AGREEMENT TO THE CONTRARY, SIEMENS IS NOT LIABLE, WHETHER BASED IN CONTRACT, WARRANTY, TORT (INCLUDING NEGLIGENCE), STRICT LIABILITY, INDEMNITY OR ANY OTHER LEGAL OR EQUITABLE THEORY, FOR: LOSS OF USE, REVENUE, SAVINGS, PROFIT, INTEREST, GOODWILL OR OPPORTUNITY, COSTS OF CAPITAL, COSTS OF REPLACEMENT OR SUBSTITUTE USE OR PERFORMANCE, LOSS OF INFORMATION AND DATA, LOSS OF POWER, VOLTAGE IRREGULARITIES OR FREQUENCY FLUCTUATION, CLAIMS ARISING FROM BUYER'S THIRD PARTY CONTRACTS, OR FOR ANY TYPE OF INDIRECT, SPECIAL, LIQUIDATED, PUNITIVE, EXEMPLARY, COLLATERAL, INCIDENTAL OR CONSEQUENTIAL DAMAGES, OR FOR ANY OTHER LOSS OR COST OF A SIMILAR TYPE.

SIEMENS' MAXIMUM LIABILITY UNDER THIS AGREEMENT IS THE ACTUAL PURCHASE PRICE RECEIVED BY SIEMENS FOR THE PRODUCT THAT GAVE RISE TO THE CLAIM.

BUYER AGREES THAT THE EXCLUSIONS AND LIMITATIONS IN THIS ARTICLE 10 WILL PREVAIL OVER ANY CONFLICTING TERMS AND CONDITIONS IN THIS AGREEMENT AND MUST BE GIVEN FULL FORCE AND EFFECT, WHETHER OR NOT ANY OR ALL SUCH REMEDIES ARE DETERMINED TO HAVE FAILED OF THEIR ESSENTIAL PURPOSE. THESE LIMITATIONS OF LIABILITY ARE EFFECTIVE EVEN IF SIEMENS HAS BEEN ADVISED BY BUYER OF THE POSSIBILITY OF SUCH DAMAGES. THE WAIVERS AND DISCLAIMERS OF LIABILITY, RELEASES FROM LIABILITY AND LIMITATIONS ON LIABILITY EXPRESSED IN THIS ARTICLE 10 EXTEND TO SIEMENS' AFFILIATES, PARTNERS, PRINCIPALS, SHAREHOLDERS, DIRECTORS, OFFICERS, EMPLOYEES, SUPPLIERS, AGENTS, AND SUCCESSORS AND ASSIGNS.

11. PATENT AND COPYRIGHT INFRINGEMENT. Siemens will, at its option and expense, defend or settle any suit or proceeding brought against Buyer based on an allegation that any Product or use thereof for its intended purpose constitutes an infringement of any Patent Cooperation Treaty country member's patent or misappropriation of a third party's trade secret or copyright in the country where the Product is delivered by Siemens. Buyer will promptly give Siemens written notice of the suit or proceeding and the authority, information, and assistance needed to defend the claims. Siemens shall have the full and exclusive authority to defend and settle such claim(s) and will pay the damages and costs awarded in any suit or proceeding so defended. Buyer shall not make any admission(s) which might be prejudicial to Siemens and shall not enter into a settlement without Siemens' consent. Siemens is not responsible for any settlement made without its prior written consent. If the Product, or any part thereof, as a result of any suit or proceeding so defended is held to constitute infringement or its use by Buyer is enjoined, Siemens will, at its option and expense, either: (i) procure for Buyer the right to continue using said Product; (ii) replace it with substantially equivalent non-infringing Product; or (iii) modify the Product so it is non-infringing.

Siemens will have no duty or obligation under this Article 11 if the Product is: (i) supplied according to Buyer's design or instructions and compliance therewith has caused Siemens to deviate from its normal course of performance; (ii) modified by Buyer or its contractors after delivery; or (iii) combined by Buyer or its contractors with devices, methods, systems or processes not furnished hereunder and by reason of said design, instruction, modification, or combination a suit is brought against Buyer. In addition, if by reason of such design, instruction, modification or combination, a suit or proceeding is brought against Siemens, Buyer must protect Siemens in the same manner and to the same extent that Siemens has agreed to protect Buyer under this Article 11.

THIS ARTICLE 11 IS AN EXCLUSIVE STATEMENT OF SIEMENS' DUTIES AND BUYER'S REMEDIES RELATING TO PATENTS, TRADE SECRETS AND COPYRIGHTS, AND DIRECT OR CONTRIBUTORY INFRINGEMENT THEREOF.

12. CONFIDENTIALITY. (a) Both during and after the term of this Agreement, the parties will treat as confidential all information obtained from the disclosing party and all information compiled or generated by the disclosing party under this Agreement for the receiving party, including but not limited to business information, manufacturing information, technical data, drawings, flow charts, program listings, software code, and other software, plans and projections. Neither party may disclose or refer to the work to be performed under this Agreement in any manner that identifies the other party without advance written permission. However, Siemens has the right to share confidential information with its affiliates and subcontractors, provided those recipients are subject to the same confidentiality obligations set forth herein.

(b) Nothing in this Agreement requires a party to treat as confidential any information which: (i) is or becomes generally known to the public, without the fault of the receiving party; (ii) is disclosed to the receiving party, without obligation of confidentiality, by a third party having the right to make such disclosure; (iii) was previously known to the receiving party, without obligation of confidentiality, which fact can be demonstrated by means of documents which are in the possession of the receiving party upon the date of this Agreement; (iv) was independently developed by receiving party or its representatives, as evidenced by written records, without the use of discloser's confidential information; or (v) is required to be disclosed by law, except to the extent eligible for special treatment under an appropriate protective order, provided that the party required to disclose by law will promptly advise the originating party of any requirement to make such disclosure to allow the originating party the opportunity to obtain a protective order and assist the originating party in so doing.

(c) It is Siemens' policy not to unlawfully or improperly receive or use confidential information, including trade secrets, belonging to others. This policy precludes Siemens from obtaining, directly or indirectly from any employee, contractor, or other individual rendering services to Siemens confidential information of a prior employer, client or any other person which such employee, contractor, or individual is under an obligation not to disclose. Buyer agrees to abide by this policy.

13. COMPLIANCE WITH LAWS. The parties agree to comply with all applicable laws and regulations, including but not limited to those relating to the manufacture, purchase, resale, exportation, transfer, assignment or use of the Products.

14. CHANGES IN WORK. No change will be made to the scope of work unless Buyer and Siemens agree in writing to the change and any resulting price, schedule or other contractual modifications. If any change to any law, rule, regulation, order, code, standard or requirement impacts Siemens' obligations or performance under this Agreement, Siemens may request a change order for an equitable adjustment in the price and time of performance.

15. NON-WAIVER. Any waiver by a party of strict compliance with this Agreement must be in writing, and any failure by the parties to require strict compliance in one instance will not waive its right to insist on strict compliance thereafter.

16. MODIFICATION OF TERMS. This Agreement may only be modified by a written instrument signed by authorized representatives of both parties.

17. ASSIGNMENT. Neither party may assign all or part of this Agreement, or any rights or obligations under this Agreement, without the prior written consent of the other; but either party may assign its rights and obligations, without recourse or consent, to any parent, wholly owned subsidiary, or affiliate or affiliate's successor organization (whether as a result of reorganization, restructuring or sale of substantially all of a party's assets). However, Buyer shall not assign this Agreement to: a competitor of Siemens; an entity in litigation with Siemens; or an entity lacking the financial capability to satisfy Buyer's obligations. Any assignee expressly assumes the performance of any obligation assigned. Siemens may grant a security interest in this Agreement and/or assign proceeds of this Agreement without Buyer's consent.

18. APPLICABLE LAW AND JURISDICTION. This Agreement is governed by and construed in accordance with the laws of the State of Delaware, without regard to its conflict of laws principles. The application of the United Nations Convention on Contracts for the International Sale of Goods is excluded. BOTH SIEMENS AND BUYER KNOWINGLY, VOLUNTARILY AND IRREVOCABLY WAIVE ALL RIGHTS TO A JURY TRIAL IN ANY ACTION OR PROCEEDING RELATED IN ANY WAY TO THIS AGREEMENT. Each party agrees that claims and disputes arising out of this Agreement must be decided exclusively in a federal or state court of competent jurisdiction located in a state in which either Buyer or Siemens maintains its principal place of business. Each party submits to the personal jurisdiction of such courts for the purpose of litigating any claims or disputes.

19. SEVERABILITY. If any provision of this Agreement is held invalid, illegal or unenforceable, the remaining provisions will not in any way be affected or impaired. A court may modify the invalid, illegal or unenforceable provision to reflect, as closely as possible, the parties' original intent.

20. EXPORT / IMPORT COMPLIANCE. Buyer acknowledges that Siemens is required to comply with applicable export / import laws and regulations relating to the sale, export, import, transfer, assignment, disposal and use of the Products, including any export / import license requirements. Buyer agrees that Products will not at any time directly or indirectly be used, exported, imported, sold, transferred, assigned or otherwise disposed of in a manner which will result in non-compliance with any export / import laws and regulations. Siemens' continuing performance hereunder is conditioned on compliance with such export / import laws and regulations at all times.

21. PRODUCT RETURNS. Prior to the return of any Product to Siemens, Buyer must identify the Product or portion thereof and obtain written authorization and shipping instructions from Siemens. Siemens has the right, in its sole discretion, to permit or reject any such return. Siemens' authorization to return any Product to Siemens does not relieve Buyer of its obligation to pay for such Product. Upon receipt, inspection, and acceptance of the Product by Siemens, Siemens will issue a credit memo to Buyer, less applicable re-stocking fees. Siemens reserves the right to reject any hazardous material.

22. NUCLEAR. Unless expressly authorized in writing by Siemens, the Products must not be used in or in connection with a nuclear facility or application. If Buyer uses any Product in connection with any nuclear facility or activity, it does so at its own risk and Buyer will indemnify, defend and hold Siemens harmless, and waives and will require its insurers to waive all right of recovery against Siemens for any damage, loss, destruction, injury or death resulting from a "nuclear incident," as defined in the Atomic Energy Act of 1954, as amended, whether or not due to Siemens' negligence. Siemens' consent to Buyer's use of the Product in connection with any nuclear facility or

application will be subject to additional terms and conditions that Siemens deems necessary to protect its interests.

23. SURVIVAL. The articles titled "Patent and Copyright Infringement," "Limitation of Liability," "Confidentiality," "Delivery; Title; Risk of Loss," "Export / Import Compliance," and "Nuclear" survive termination, expiration or cancellation of this Agreement.

PURCHASER's ACCEPTANCE
The foregoing is hereby accepted.

Siemens Industry, Inc.
By

(Name of Purchaser)
By

Title

Date

Siemens Industry, Inc.
SIEMENS STANDARD TERMS AND CONDITIONS OF SALE FOR PRODUCTS
December 09, 2020 (Version2.0/Restricted)

To: CRUM ELECTRIC SUPPLY CO. INC
726 SCARLET ST
GRAND JUNCTION, CO 81505-9430
USA

From: CRUM ELECTRIC SUPPLY
726 scarlet street
Grand Junction, 20186 81505

Attention:

DALE CIRBO
Tel. No.: 19706150877
dcirbo@crum.com

Job Name: Persigo WWTP
Quote Name: Persigo WWTP
Quote #: harrb100_06242100_00_00_M00
Bid Date: 06/24/2021

Siemens Industry, Inc. (Company) agrees to sell to Purchaser and Purchaser agrees to purchase from the Company the goods described below. Written quotations are valid for 30 calendar days from price approval date unless otherwise stated in the quotation. Quotations are subject to change by Siemens Industry, Inc. at any time upon written notice to Purchaser. Quoted Lead times refer to the manufacturing cycles, in working days, at time of quotations and are subject to change.

Quote Notes:

Line #:	Qty	Description
25000	1	HP11-PANELBOARD P1
		1 - SECTION
		P1E42ML250CTST, System Voltage: 480Y/277 3Ø 4W Wye AC, IR @ 42,000 AIC, Top Feed, Surface Mount, Bus Rating: 250A, Bus Material: Copper, Plating: Tin, NEMA 1 INDOOR.
		1 - INTERIOR W/ 250A MAIN LUG
		1 - AL/CU Main Lug
		1 - Subfeed/Feedthru Provision
		1 - Gnd Conn-Shipped w/ Interior
		1 - Card Holder-Std Plastic Sleeve
		1 - Std Al/Cu Gnd Connector
		1 - Master NP Secured -Adhesive
		1 - 250A 100% Neutral 42Cir AL
		1 - Certification - UL
		18 - GB PROVISION
		4 - 30A /3P-3VA41-HEAB
		1 - 3VA Mechanical (1)#14-3/0 AL Lug
		1 - Catalog #: 3VA41306ED340AA0
		12 - 20A /1P-3VA41-HEAB
		1 - 3VA Mechanical (1)#14-3/0 AL Lug
		1 - Catalog #: 3VA41206ED140AA0
		1 - SPD
		1 - Bus Connected SPD
		1 - SPD External Indicator Light
		1 - 150kA Panelboard TPS4 SPD
		1 - SPD Surge Counter
		1 - Catalog #: US2:TPS4E0115X002
		Enclosure, Catalog Number B44

1	-	12			
			Front, Catalog Number S44B		
1	-	FAS-LATCH FRONT ASSY 20W 44H, SURFACE			
			<table border="1"> <tr> <td>Sell Price</td> <td>\$2,740.33</td> </tr> </table>	Sell Price	\$2,740.33
Sell Price	\$2,740.33				

26000	1	LP11--PANELBOARD P1			
		1 - SECTION			
			P1C42BL060CTST, System Voltage: 208Y/120 3Ø 4W Wye AC, IR @ 10,000 AIC, Top Feed, Surface Mount, Bus Rating: 250A, Bus Material: Copper, Plating: Tin, NEMA 1 INDOOR.		
		1 - INTERIOR W/ 60A /3P-BL MAIN BREAKER			
		1 - Subfeed/Feedthru Provision			
		1 - Gnd Conn-Shipped w/ Interior			
		1 - Std Al/Cu Gnd Connector			
		1 - 250A 100% Neutral 42, 54Cir AL			
		1 - Card Holder-Std Plastic Sleeve			
		1 - Seismically Qualified			
		1 - RP1 3 Phase Main Kit BL/BQD			
		1 - Certification - UL			
		1 - Catalog #: B360			
		23 - BL/BQD PROVISION			
		1 - 20A /2P-BL			
		1 - Catalog #: B220			
		17 - 20A /1P-BL			
		1 - Catalog #: B120			
		1 - SPD			
		1 - Bus Connected SPD			
		1 - SPD External Indicator Light			
		1 - 150kA Panelboard TPS4 SPD			
		1 - SPD Surge Counter			
		1 - Catalog #: US2:TPS4C0115X002			
		Enclosure, Catalog Number B44			
		1 - 12			
		Front, Catalog Number S44B			
		1 - FAS-LATCH FRONT ASSY 20W 44H, SURFACE			
			<table border="1"> <tr> <td>Sell Price</td> <td>\$1,520.77</td> </tr> </table>	Sell Price	\$1,520.77
Sell Price	\$1,520.77				

27000	1	MCC-11--MCC	
			MCC-11, TIASTAR, 20 (Front Only), Circuit Breaker, 480 3Ø3W AC, 60 Hz, 65,000, 1A - Indoor gasketed, 600, Tin, Copper, IIs(Cust Unit/Interwiring Dia), Bd (Unit control tb).
		1 - SECTION	
		1 - Encl. 20IN D Front Only 20IN W	
		1 - Type 1 Gasketing	
		1 - 600A Tin Plated H. Bus Copper	
		1 - 65,000A Bus Bracing	
		1 - 600A Tin Plated V. Bus	
		1 - 300A Tin Plated Horizontal Ground Bus Copper	
		1 - Ground Lug, (1) 6-300Kcmil	
		1 - Automatic Shutter	

- 1 - Master Nameplate
- 1 - 600AF 400AT SHLD6 MCB.
 - 1 - MCB, 600A Max, SHLD SHLD6 Trip Amperage 400
 - 1 - 6IN Extra Unit Space
 - 1 - Electronic Trip With Long Time, Instantaneous
 - 1 - DIGITAL, POWER METER, PAC3200, M26
 - 1 - PAC3200 Meter Compression Terminals
 - 3 - CT For Local Meter 400:5
 - 2 - PT For Local Meter Line Voltage 480
- 8 - FVNR, CB, SZ 3, 20HP.
 - 1 - FVNR Size 3, CB 20 HP
 - 1 - INNOVA Contactor Type
 - 1 - ESP200 Overload
 - 1 - CPT 150VA 1 Sec. 2 Pri. Fuses Std. Cap.
 - 1 - Class II Wiring
 - 1 - 14AWG MTW Control Wire
 - 1 - Wire Markers, Heat Shrink, Control Wires
 - 1 - Pull-Apart Control Terminals
 - 1 - Spare Aux. Contact NO 1
 - 1 - Spare Aux. Contact NC 1
 - 1 - Height 18 Width 16 Depth 8.347
 - 1 - Pilot Light, RED, RUNNING, R
 - 1 - Pilot Light, 30mm Red
 - 1 - Legend = RUNNING
 - 1 - Pilot Light, GREEN, OFF, GG
 - 1 - Pilot Light, 30mm Green
 - 1 - Legend = OFF
 - 1 - Push Button, BLACK, RESET, RE
 - 1 - Push Button, 30mm, Black Flush
 - 1 - Legend = RESET
 - 1 - Selector Switch, HAND OFF AUTO, H
 - 1 - 3 Position Selector Switch, 30mm
 - 1 - Legend = HAND OFF AUTO
 - 1 - Push Button, BLACK, START, S
 - 1 - Push Button, 30mm, Black Flush
 - 1 - Legend = START
 - 1 - Push Button, RED, STOP, P
 - 1 - Push Button, 30mm, Red Extended
 - 1 - Legend = STOP
 - 1 - Pilot Light, AMBER, OL TRIPPED, A
 - 1 - Pilot Light, 30mm Amber
 - 1 - Legend = OL TRIPPED
 - 1 - ANALOG, PILOT DEVICE, ELAPSED TIME METER, E
 - 1 - Elapsed Time Meter in Device Panel
- 1 - FVNR, CB, SZ 2, 10HP.
 - 1 - FVNR Size 2, CB 10 HP
 - 1 - INNOVA Contactor Type
 - 1 - ESP200 Overload
 - 1 - CPT 50VA 1 Sec. 2 Pri. Fuses Std. Cap.

- 1 - Class II Wiring
- 1 - 14AWG MTW Control Wire
- 1 - Wire Markers, Heat Shrink, Control Wires
- 1 - Pull-Apart Control Terminals
- 1 - Spare Aux. Contact NO 1
- 1 - Spare Aux. Contact NC 1
- 1 - Height 12 Width 16 Depth 8.347
- 1 - Pilot Light, RED, RUNNING, R
 - 1 - Pilot Light, 30mm Red
 - 1 - Legend = RUNNING
- 1 - Pilot Light, GREEN, OFF, GG
 - 1 - Pilot Light, 30mm Green
 - 1 - Legend = OFF
- 1 - Push Button, BLACK, RESET, RE
 - 1 - Push Button, 30mm, Black Flush
 - 1 - Legend = RESET
- 1 - Selector Switch, HAND OFF AUTO, H
 - 1 - 3 Position Selector Switch, 30mm
 - 1 - Legend = HAND OFF AUTO
- 1 - Push Button, BLACK, START, S
 - 1 - Push Button, 30mm, Black Flush
 - 1 - Legend = START
- 1 - Push Button, RED, STOP, P
 - 1 - Push Button, 30mm, Red Extended
 - 1 - Legend = STOP
- 1 - Pilot Light, AMBER, OL TRIPPED, A
 - 1 - Pilot Light, 30mm Amber
 - 1 - Legend = OL TRIPPED
- 1 - ANALOG, PILOT DEVICE, ELAPSED TIME METER, E
 - 1 - Elapsed Time Meter in Device Panel
- 5 - SECTION
 - 1 - Encl. 20IN D Front Only 20IN W
 - 1 - Type 1 Gasketing
 - 1 - 600A Tin Plated H. Bus Copper
 - 1 - 65,000A Bus Bracing
 - 1 - 600A Tin Plated V. Bus
 - 1 - 300A Tin Plated Horizontal Ground Bus Copper
 - 1 - Automatic Shutter
- 1 - 125AF 125AT LG FCB.
 - 1 - FCB, LGG Trip Amperage 125
 - 1 - Height 12 Width 16 Depth 8.347
- 1 - 125AF 60AT LG FCB.
 - 1 - FCB, LGG Trip Amperage 60
 - 1 - Height 12 Width 16 Depth 8.347
- 1 - 125AF 50AT LG FCB.
 - 1 - FCB, LGG Trip Amperage 50
 - 1 - Height 12 Width 16 Depth 8.347
- 7 - 18 X 16 SPACE.
 - 1 - Prepared Space Height 18

- 1 - Height 18 Width 16 Depth 8.347
- 1 - 125AF 30AT LG FCB.
 - 1 - FCB, LGG Trip Amperage 30
 - 1 - Height 12 Width 16 Depth 8.347
- 1 - 6 X 16 SPACE.
 - 1 - Prepared Space Height 6
 - 1 - Height 6 Width 16 Depth 8.347
- 1 - 125AF 30AT LG FCB.
 - 1 - FCB, LGG Trip Amperage 30
 - 1 - 6IN Extra Unit Space
 - 1 - SPD, 100KA
 - 1 - Height 18 Width 16 Depth 8.347
- 1 - 54 X 16 SPACE.
 - 1 - Prepared Space Height 54
 - 1 - Height 54 Width 16 Depth 8.347

Sell Price	\$43,735.34
------------	-------------

28000

1

VFD MCC--MCC

VFD MCC, TIASTAR, 20 (Front Only), Circuit Breaker, 480 3Ø3W AC, 60 Hz, 65,000, 1A - Indoor gasketed, 800, Tin, Copper, IIs(Cust Unit/Interwiring Dia), Bd (Unit control tb).

- 1 - SECTION
 - 1 - Encl. 20IN D Front Only 20IN W
 - 1 - Type 1 Gasketing
 - 1 - 800A Tin Plated H. Bus Copper
 - 1 - 65,000A Bus Bracing
 - 1 - 600A Tin Plated V. Bus
 - 1 - 300A Unplated Horizontal Ground Bus Copper
 - 1 - Ground Lug, (1) 6-300Kcmil
 - 1 - Automatic Shutter
- 1 - 800A Main Lug Only.
 - 1 - MLO 800A, Top
- 1 - SPD.
 - 1 - SPD Unit
 - 1 - SPD, 100KA
 - 1 - Height 6 Width 16 Depth 8.347
- 6 - 250AF 225AT HFD6 FCB.
 - 1 - FCB, 225A Max, HFD6 Trip Amperage 225
 - 1 - CPT 50VA 1 Sec. 2 Pri. Fuses Std. Cap.
 - 1 - Pull-Apart Control Terminals
 - 1 - Height 18 Width 16 Depth 8.347
 - 1 - Push Button, BLACK, START, S
 - 1 - Push Button, 30mm, Black Flush
 - 1 - Legend = START
 - 1 - Push Button, RED, STOP, P
 - 1 - Push Button, 30mm, Red Extended
 - 1 - Legend = STOP
 - 1 - Pilot Light, RED, RUNNING, R
 - 1 - Pilot Light, 30mm Red

- 1 - Legend = RUNNING
- 1 - Pilot Light, GREEN, OFF, GG
 - 1 - Pilot Light, 30mm Green
 - 1 - Legend = OFF
- 1 - Push Button, BLACK, RESET, RE
 - 1 - Push Button, 30mm, Black Flush
 - 1 - Legend = RESET
- 1 - ANALOG, PILOT DEVICE, ELAPSED TIME METER, E
 - 1 - Elapsed Time Meter in Device Panel
- 1 - Pilot Light, AMBER, OL TRIPPED, A
 - 1 - Pilot Light, 30mm Amber
 - 1 - Legend = OL TRIPPED
- 1 - SECTION
 - 1 - Encl. 20IN D Front Only 20IN W
 - 1 - Type 1 Gasketing
 - 1 - 800A Tin Plated H. Bus Copper
 - 1 - 65,000A Bus Bracing
 - 1 - 600A Tin Plated V. Bus
 - 1 - 300A Unplated Horizontal Ground Bus Copper
 - 1 - Automatic Shutter
- 1 - 125AF 30AT LG FCB.
 - 1 - FCB, LGG Trip Amperage 30
 - 1 - 6IN Extra Unit Space
 - 1 - SPD, 100KA
 - 1 - Height 18 Width 16 Depth 8.347

	<u>Sell Price</u>	<u>\$20,646.74</u>
--	-------------------	--------------------

1100 1 T1-3F3RXXXC -15KVA SERIES J ENCAP CU

Standard Dry Type, 3 Phase, 15 KVA, 480 Primary Voltage, 208Y/120 Secondary Voltage, Transformer Core: Copper-Wound, 2-5% FCBN Taps, 115C, Encapsulated, Copper Windings (C), Wall Bracket Kit: PROVIDED.
 Catalog No.: A6X1082765

	<u>Sell Price</u>	<u>\$1,227.83</u>
--	-------------------	-------------------

	<u>Grand Total:</u>	<u>Sell Price</u>	<u>\$69,871.01</u>
--	---------------------	-------------------	--------------------

Global Notes:

Important Update:

As a result of the global Covid-19 Virus outbreak, temporary delays in delivery, labor or services from Siemens and its sub-suppliers or subcontractors may occur. Among other factors, Siemens' delivery is subject to the correct and punctual supply from sub-suppliers or subcontractors, and Siemens reserves the right to make partial deliveries or modify its labor or services. While Siemens shall make every commercially reasonable effort to meet the delivery or service or completion date mentioned above, such date is subject to change and buyer shall not be entitled to any

damages resulting from such delays.

Cancellation Schedule:

In the event that Buyer cancels the purchase order, or portions of the purchase order in writing, the following charges, as a percentage of the total purchase order price for the order, or application portions thereof, will apply:

After receipt of order or before approval drawings are completed	15%
After approval drawing completion, but before release to manufacturing	30%
Before start of fabrication, but after major component purchase	60%
After start of fabrication, but before start of assembly	80%
After assembly has started	100%

Price Policy: Standard quote is valid for 30 days from price approval date.

Hold for Release Pricing: Unless Siemens has agreed with the customer in writing, in advance to fixed pricing for an extended release date, any orders entered into COMPAS that have not been released by the customer within 90 days shall be subject to a monthly price increase of 2% per month.

Payment: Per Siemens distributor's terms.

Shipping: Shipment of goods will be made after receipt of all the following at Company's production facility: (a) Purchase Order / Electronic PO, (b) Technical Information, and if required (c) Drawing Approval.

Freight: Freight allowed on all orders over \$1,000 and shipped within the contiguous United States, provided Seller selects the Route Option: BESTRT -Best Route.

Delivery: FOB Shipping Point, unless stated otherwise.

Small Order Handling: Purchase orders below \$400 will incur a \$25 Small Order Handling (SOH) Fee.

Warranty: Warranty shall be in effect for a period of (1) year from initial operation of the goods but not more than eighteen (18) months from Siemens, shipment of the goods, unless stated otherwise.

Other: This proposal is subject to credit approval and US government regulation. It is also based on the Company's interpretation of the plans and specifications and is subject to correction for errors in such plans or specifications. This document and any other documents specifically referred to as being a part hereof constitute the entire agreement on the subject matter and it shall not be modified except in writing signed by both parties.
THIS PROPOSAL IS BASED UPON SIEMENS STANDARD TERMS AND CONDITIONS OF SALE ATTACHED HERETO AND INCLUDED HEREIN. Company hereby objects to any additional or different terms set forth in Purchaser's request for proposal, specifications, purchase order, or any other document of Purchaser. Acceptance of additional or different terms must be specifically assented to in writing by Company.

Federal Projects (This applies to Federal and Federally Funded Projects only):
Siemens represents that it is providing "commercial items" and services for sale within the definition of FAR 2.101. In keeping with its commercial market participation, Siemens is categorically exempt from any Cost & Pricing Data requirements. Siemens utilizes a commercial accounting system under International Financial Reporting Standards (IFRS); and is technically unable to comply with Federal Cost Accounting Standards & Certification and any FAR 31 requirements. Siemens Industry, Inc. is a Foreign Owned, Controlled, or Influenced ("FOCI") firm, under the definition contained in the National Industrial Security Program Operational Manual ("NISPOM") and cannot obtain a security clearance, or perform work requiring its compliance with the FAR 52.204-2 "Security Requirements." Siemens does not anticipate receiving or having any access to any USG Controlled Unclassified Information (CUI) or Covered Defense Information (CDI) in the performance of this contract. However, in the event that any CUI/CDI will be required by Siemens in the performance of this contract, contractor/customer agrees to formally notify Siemens of its intent to transmit or provide CUI/CDI prior to the transmittal of any such information. In that event, Siemens will provide a plan in order to compliantly address the requirements of FAR 52.204-21, DFARS 252.204-7008, 252.204-009 and/or 252.204-7012. Siemens shall not be held responsible for determining, or providing, its compliance with any federal requirements including, but not limited to any Buy America/Buy American requirements, unless the contractor/customer

has provided the SPECIFIC federal flow-down provisions to Siemens, and received Siemens affirmation of compliance with the same prior to issuance of any Purchase Order or Contract.

SIEMENS STANDARD TERMS AND CONDITIONS OF SALE FOR PRODUCTS

Version 2.0/Restricted

Date: 12/09/2020

1. **APPLICABLE TERMS.** This Agreement governs the sale of equipment, components, parts, and materials provided by Siemens ("Products"). Any applicable addenda, these terms, Siemens proposal, price quote, purchase order, or acknowledgement issued by Siemens form the parties' final agreement ("Agreement"). In the event of a conflict between these documents, precedence shall apply in accordance with the order listed in the previous sentence. Siemens' proposal, offer or acceptance is conditioned on Buyer's acceptance of this Agreement. Any additional or conflicting terms in Buyer's request for proposal, specifications, purchase order or any other written or oral communication are not binding on Siemens unless separately signed by Siemens. Siemens' failure to object to Buyer's additional or conflicting terms does not operate as a waiver of any terms contained in this Agreement.

2. **PRICING & PAYMENT.** Prices and payment terms are: (i) as stated in Siemens' proposal, or if none are stated; (ii) Siemens' standard prices in effect when Siemens receives Buyer's purchase order; or if neither (i) or (ii) apply, then Siemens' standard prices in effect when the Products ship.

(a) *Payment.* Unless stated in Siemens' proposal, all payments are due net thirty (30) days from the invoice date in United States Dollars. Discounts, if any, are only applicable for payments made by cash, check, ACH or wire.

(b) *Credit Approval.* All orders are subject to credit approval by Siemens. Siemens may modify, suspend or withdraw the credit amount or payment terms at any time. If there is doubt as to Buyer's financial condition, Siemens may withhold manufacturing or shipment, require cash payments, or require other satisfactory security. Siemens may recover shipped Products from the carrier pending such assurances.

(c) *Installation Shipment.* Where Products are delivered in shipments or only part of a shipment fails to comply with this Agreement, the Buyer may only reject the non-compliant portion. Buyer will separately pay for each shipment. If Siemens holds or stores Products for Buyer, it shall do so at Buyer's sole risk and expense.

(d) *Taxes, Shipping, Packing, Handling.* Unless stated in writing by Siemens, Siemens' prices exclude charges for freight, unloading, storage, insurance, taxes, tariffs charged on the importation of goods into the United States, excises, fees, duties or other government charges related to the Products. Buyer will pay these amounts or reimburse Siemens. If Buyer claims a tax or other exemption or direct payment permit, Buyer will provide a valid exemption certificate or permit and indemnify, defend and hold Siemens harmless from any taxes, costs and penalties arising from same. Siemens' prices include the costs of its standard domestic packing only. Any packing deviation, including U.S. Government sealed packing, will be charged to Buyer. Increases, changes (including in application), adjustments or surcharges which may be incurred are for Buyer's account.

(e) *Late Payments.* Late payments shall bear interest at an annual percentage rate of twelve percent (12%) or the highest rate allowed by law, whichever is lower.

(f) *Disputed Invoice.* If Buyer disputes all or any portion of an invoice, it must first deliver written notice to Siemens of the disputed amount and the basis for the dispute within twenty-one (21) days of receiving the invoice. Failure of Buyer to timely notify Siemens of any dispute constitutes a waiver of Buyer's claim. If Buyer only disputes a portion of the invoice, Buyer must pay the undisputed portion in accordance with Article 2(a). Upon resolution of the dispute, Buyer must pay the invoice or the remainder of the invoice, plus any accrued interest on the late payment.

(g) *Suspension/Termination Right.* Siemens may suspend work if an undisputed invoice is more than thirty (30) days past due. Siemens may terminate this Agreement if an undisputed invoice is more than sixty (60) days past due. Unless prohibited by law, Siemens may also terminate this Agreement immediately in the event of a material adverse change in Buyer's financial condition including, but not limited to, bankruptcy, insolvency, liquidation or similar financial condition.

3. **DELIVERY; TITLE; RISK OF LOSS.** Products will be delivered F.O.B. Siemens point of shipment with title and risk of loss or damage passing to Buyer at that point. Buyer is responsible for all transportation, insurance and related expenses. The related expenses shall include any taxes, duties or documentation fees. Siemens may make partial shipments. Any shipping, delivery and installation dates are estimated dates only. Siemens is not liable for any loss or expense incurred by Buyer or Buyer's customers if Siemens fails to meet its delivery schedule.

4. **DEFERMENT AND CANCELLATION.** Buyer has no right to defer shipment but may cancel this Agreement on thirty (30) days written notice if Siemens has not already performed. If Buyer cancels this Agreement, it shall pay all cancellation charges including, without limitation: (i) the full price for any finished Product; (ii) for partially completed product, the portion of the price determined to be due by Siemens based on its percentage of completion of the Product; (iii) reasonable overhead and profit; and (iv) any payments due subcontractors and/or suppliers for any materials, components or products ordered which cannot be cancelled, refunded, or redirected for other beneficial use.

5. **TRANSPORTATION AND STORAGE.** (a) When Products are ready for shipment, Siemens will: (i) inform Buyer, and Buyer will then promptly give shipping instructions to Siemens; (ii) determine the method of transportation and shipment routing; and (iii) ship the Products with freight prepaid by normal transportation. If Buyer fails to provide timely shipping instructions, Siemens will ship the Products by normal transportation means to Buyer or to a storage location selected by Siemens. Buyer will pay or reimburse any excess transportation charges for special or expedited transportation.

(b) If Products are placed into storage, delivery occurs and risk of loss transfers to Buyer when the Products are placed on the carrier for shipment to the storage location. If the Products are to be stored in the facility where manufactured, delivery occurs and risk of loss transfers to Buyer when placed in the storage location.

Buyer will pay all Siemens' storage expenses, including but not limited to, preparation for and placement into storage, handling, freight, storage, inspection, preservation, maintenance, taxes and insurance, upon receipt of an invoice(s) from Siemens. When conditions permit and upon payment to Siemens of all amounts due, Buyer must arrange, at its expense, to remove the Products from storage. Buyer bears the risk of loss, damage or destruction to Products in storage.

6. **FORCE MAJEURE / DELAYS.** If Siemens' performance is delayed by any cause beyond its reasonable control (regardless of whether the cause was foreseeable), including without limitation acts of God, strikes, labor shortage or disturbance, fire, accident, war or civil disturbance, delays of carriers, cyber-attacks, terrorist attacks, failure of normal sources of supply, or acts or inaction of government, Siemens' time of performance will be extended by a period equal to the length of the delay plus any consequences of the delay. Siemens will notify Buyer within a reasonable time after becoming aware of any such delay.

7. **BUYER'S REQUIREMENTS.** Siemens' performance is contingent upon Buyer timely fulfilling all of its obligations under this Agreement. These obligations include the Buyer supplying all documents and approvals needed for Siemens to perform, including but not limited to technical information and data, drawing and document approvals, and necessary commercial documentation. Siemens may request a change order for an equitable adjustment in prices and times for performance, as well as for any additional costs or any delay resulting from the failure of Buyer or Buyer's contractors, successors or assigns to meet these obligations.

8. **INDEMNITY.** Siemens and Buyer (each as an "Indemnitor") shall indemnify the other ("Indemnitee") from and against all third party claims alleging bodily injury, death or damage to a third party's tangible property, but only to the extent caused by the Indemnitor's negligent acts or omissions. If the injury or damage is caused by the parties' joint or contributory negligence, the loss and/or expenses shall be borne by each party in proportion to its degree of fault. No part of the Product(s) or Buyer's site is considered third party property.

Indemnitee shall provide the Indemnitor with prompt written notice of any third party claims covered by this Article. Indemnitor has the unrestricted right to select and hire counsel and the exclusive right to conduct the legal defense and/or settle the claim on the Indemnitee's behalf. The Indemnitee shall not make any admission(s) which might be prejudicial to the Indemnitor and shall not enter into a settlement without the express permission of the Indemnitor.

9. **WARRANTIES.** (a) Warranties. Siemens warrants that: (i) each Product is free from defects in material and workmanship; (ii) each Product materially conforms to Siemens' specifications that are attached to, or expressly incorporated into this Agreement; and (iii) at the time of delivery, Siemens has title to each Product free and clear of liens and encumbrances (collectively, the "Warranties"). The Warranties do not apply to software furnished by Siemens. The sole and exclusive warranties for any software are set forth in the applicable Software License/Warranty Addendum.

(b) Conditions to the Warranties. The Warranties are conditioned on: (i) no repairs, modifications or alterations being made to the Product other than by Siemens or its authorized representatives; (ii) Buyer handling, using, storing, installing, operating and maintaining the Product in compliance with any parameters or instructions in any specifications attached to, or incorporated into this Agreement; (iii) compliance with all generally accepted industry standards; (iv) Buyer discontinuing use of the Product after it has, or should have had, knowledge of any defect; (v) Buyer providing prompt written notice of any warranty claims within the warranty period described below; (vi) at Siemens' discretion, Buyer either removing and shipping the Product or non-conforming part thereof to Siemens, at Buyer's expense, or granting Siemens reasonable access to the Products to assess the warranty claims; (vii) Product not having been subjected to accident (including force majeure), alteration, abuse or misuse; and (viii) Buyer not being in default of any payment obligation.

(c) Exclusions from Warranty Coverage. The Warranties do not apply to any equipment not provided by Siemens under this Agreement.

Any Product that is described as being experimental, developmental, prototype, or pilot is specifically excluded from the Warranties and is provided to Buyer "as is" with no warranties of any kind. Normal wear and tear is excluded, including any expendable items that comprise part of the Product (such as fuses, light bulbs and lamps). Siemens does not warrant or guarantee that any Product will be secure from cyber threats, hacking or similar malicious activity. Products that are networked, connected to the internet, or otherwise connected to computers or other devices must be appropriately protected by Buyer and/or end user against unauthorized access.

(d) Warranty Period. Buyer must provide written notice of any claims for breach of Warranties by the earlier of twelve (12) months from initial operation of the Product or eighteen (18) months from shipment. Additionally, absent written notice within the warranty period, any use or possession of the Product after expiration of the warranty period is conclusive evidence that the Warranties have been satisfied.

(e) Remedies. Buyer's sole and exclusive remedies for breach of the Warranties are limited, at Siemens' discretion, to repair or replacement of the Product, or its non-conforming parts, within a reasonable time period, or refund of all or part of the purchase price. The warranty on repaired or replaced parts is limited to the remainder of the original warranty period. Unless Siemens agrees otherwise in writing, Buyer will be responsible for any costs associated with: (i) gaining access to the Product; (ii) removal, disassembly, replacement, installation, or reinstallation of any equipment, materials or structures to permit Siemens to perform its warranty obligations; (iii) transportation to and from the Siemens factory or repair facility; and (iv) damage to equipment components or parts resulting in whole or in part from non-compliance by the Buyer with Article 9(b) or from their deteriorated condition. All exchanged Products replaced under this Warranty will become the property of Siemens.

(f) Transferability. The Warranties are only transferable during the warranty period and only to the Product's initial end-user.

(g) THE WARRANTIES IN THIS ARTICLE 9 ARE SIEMENS' SOLE AND EXCLUSIVE WARRANTIES AND ARE SUBJECT TO THE LIMITS OF LIABILITY IN ARTICLE 10 BELOW. SIEMENS MAKES NO OTHER WARRANTIES, EXPRESS OR IMPLIED, INCLUDING, WITHOUT LIMITATION, WARRANTIES OF MERCHANTABILITY OR FITNESS FOR A PARTICULAR PURPOSE, COURSE OF DEALING AND USAGE OF TRADE.

10. LIMITATION OF LIABILITY. NOTWITHSTANDING ANYTHING IN THIS AGREEMENT TO THE CONTRARY, SIEMENS IS NOT LIABLE, WHETHER BASED IN CONTRACT, WARRANTY, TORT (INCLUDING NEGLIGENCE), STRICT LIABILITY, INDEMNITY OR ANY OTHER LEGAL OR EQUITABLE THEORY, FOR: LOSS OF USE, REVENUE, SAVINGS, PROFIT, INTEREST, GOODWILL OR OPPORTUNITY, COSTS OF CAPITAL, COSTS OF REPLACEMENT OR SUBSTITUTE USE OR PERFORMANCE, LOSS OF INFORMATION AND DATA, LOSS OF POWER, VOLTAGE IRREGULARITIES OR FREQUENCY FLUCTUATION, CLAIMS ARISING FROM BUYER'S THIRD PARTY CONTRACTS, OR FOR ANY TYPE OF INDIRECT, SPECIAL, LIQUIDATED, PUNITIVE, EXEMPLARY, COLLATERAL, INCIDENTAL OR CONSEQUENTIAL DAMAGES, OR FOR ANY OTHER LOSS OR COST OF A SIMILAR TYPE.

SIEMENS' MAXIMUM LIABILITY UNDER THIS AGREEMENT IS THE ACTUAL PURCHASE PRICE RECEIVED BY SIEMENS FOR THE PRODUCT THAT GAVE RISE TO THE CLAIM.

BUYER AGREES THAT THE EXCLUSIONS AND LIMITATIONS IN THIS ARTICLE 10 WILL PREVAIL OVER ANY CONFLICTING TERMS AND CONDITIONS IN THIS AGREEMENT AND MUST BE GIVEN FULL FORCE AND EFFECT, WHETHER OR NOT ANY OR ALL SUCH REMEDIES ARE DETERMINED TO HAVE FAILED OF THEIR ESSENTIAL PURPOSE. THESE LIMITATIONS OF LIABILITY ARE EFFECTIVE EVEN IF SIEMENS HAS BEEN ADVISED BY BUYER OF THE POSSIBILITY OF SUCH DAMAGES. THE WAIVERS AND DISCLAIMERS OF LIABILITY, RELEASES FROM LIABILITY AND LIMITATIONS ON LIABILITY EXPRESSED IN THIS ARTICLE 10 EXTEND TO SIEMENS' AFFILIATES, PARTNERS, PRINCIPALS, SHAREHOLDERS, DIRECTORS, OFFICERS, EMPLOYEES, SUPPLIERS, AGENTS, AND SUCCESSORS AND ASSIGNS.

11. PATENT AND COPYRIGHT INFRINGEMENT. Siemens will, at its option and expense, defend or settle any suit or proceeding brought against Buyer based on an allegation that any Product or use thereof for its intended purpose constitutes an infringement of any Patent Cooperation Treaty country member's patent or misappropriation of a third party's trade secret or copyright in the country where the Product is delivered by Siemens. Buyer will promptly give Siemens written notice of the suit or proceeding and the authority, information, and assistance needed to defend the claims. Siemens shall have the full and exclusive authority to defend and settle such claim(s) and will pay the damages and costs awarded in any suit or proceeding so defended. Buyer shall not make any admission(s) which might be prejudicial to Siemens and shall not enter into a settlement without Siemens' consent. Siemens is not responsible for any settlement made without its prior written consent. If the Product, or any part thereof, as a result of any suit or proceeding so defended is held to constitute infringement or its use by Buyer is enjoined, Siemens will, at its option and expense, either: (i) procure for Buyer the right to continue using said Product; (ii) replace it with substantially equivalent non-infringing Product; or (iii) modify the Product so it is non-infringing.

Siemens will have no duty or obligation under this Article 11 if the Product is: (i) supplied according to Buyer's design or instructions and compliance therewith has caused Siemens to deviate from its normal course of performance; (ii) modified by Buyer or its contractors after delivery; or (iii) combined by Buyer or its contractors with devices, methods, systems or processes not furnished hereunder and by reason of said design, instruction, modification, or combination a suit is brought against Buyer. In addition, if by reason of such design, instruction, modification or combination, a suit or proceeding is brought against Siemens, Buyer must protect Siemens in the same manner and to the same extent that Siemens has agreed to protect Buyer under this Article 11.

THIS ARTICLE 11 IS AN EXCLUSIVE STATEMENT OF SIEMENS' DUTIES AND BUYER'S REMEDIES RELATING TO PATENTS, TRADE SECRETS AND COPYRIGHTS, AND DIRECT OR CONTRIBUTORY INFRINGEMENT THEREOF.

12. CONFIDENTIALITY. (a) Both during and after the term of this Agreement, the parties will treat as confidential all information obtained from the disclosing party and all information compiled or generated by the disclosing party under this Agreement for the receiving party, including but not limited to business information, manufacturing information, technical data, drawings, flow charts, program listings, software code, and other software, plans and projections. Neither party may disclose or refer to the work to be performed under this Agreement in any manner that identifies the other party without advance written permission. However, Siemens has the right to share confidential information with its affiliates and subcontractors, provided those recipients are subject to the same confidentiality obligations set forth herein.

(b) Nothing in this Agreement requires a party to treat as confidential any information which: (i) is or becomes generally known to the public, without the fault of the receiving party; (ii) is disclosed to the receiving party, without obligation of confidentiality, by a third party having the right to make such disclosure; (iii) was previously known to the receiving party, without obligation of confidentiality, which fact can be demonstrated by means of documents which are in the possession of the receiving party upon the date of this Agreement; (iv) was independently developed by receiving party or its representatives, as evidenced by written records, without the use of discloser's confidential information; or (v) is required to be disclosed by law, except to the extent eligible for special treatment under an appropriate protective order, provided that the party required to disclose by law will promptly advise the originating party of any requirement to make such disclosure to allow the originating party the opportunity to obtain a protective order and assist the originating party in so doing.

(c) It is Siemens' policy not to unlawfully or improperly receive or use confidential information, including trade secrets, belonging to others. This policy precludes Siemens from obtaining, directly or indirectly from any employee, contractor, or other individual rendering services to Siemens confidential information of a prior employer, client or any other person which such employee, contractor, or individual is under an obligation not to disclose. Buyer agrees to abide by this policy.

13. **COMPLIANCE WITH LAWS.** The parties agree to comply with all applicable laws and regulations, including but not limited to those relating to the manufacture, purchase, resale, exportation, transfer, assignment or use of the Products.

14. **CHANGES IN WORK.** No change will be made to the scope of work unless Buyer and Siemens agree in writing to the change and any resulting price, schedule or other contractual modifications. If any change to any law, rule, regulation, order, code, standard or requirement impacts Siemens' obligations or performance under this Agreement, Siemens may request a change order for an equitable adjustment in the price and time of performance.

15. **NON-WAIVER.** Any waiver by a party of strict compliance with this Agreement must be in writing, and any failure by the parties to require strict compliance in one instance will not waive its right to insist on strict compliance thereafter.

16. **MODIFICATION OF TERMS.** This Agreement may only be modified by a written instrument signed by authorized representatives of both parties.

17. **ASSIGNMENT.** Neither party may assign all or part of this Agreement, or any rights or obligations under this Agreement, without the prior written consent of the other; but either party may assign its rights and obligations, without recourse or consent, to any parent, wholly owned subsidiary, or affiliate or affiliate's successor organization (whether as a result of reorganization, restructuring or sale of substantially all of a party's assets). However, Buyer shall not assign this Agreement to: a competitor of Siemens; an entity in litigation with Siemens; or an entity lacking the financial capability to satisfy Buyer's obligations. Any assignee expressly assumes the performance of any obligation assigned. Siemens may grant a security interest in this Agreement and/or assign proceeds of this Agreement without Buyer's consent.

18. **APPLICABLE LAW AND JURISDICTION.** This Agreement is governed by and construed in accordance with the laws of the State of Delaware, without regard to its conflict of laws principles. The application of the United Nations Convention on Contracts for the International Sale of Goods is excluded. BOTH SIEMENS AND BUYER KNOWINGLY, VOLUNTARILY AND IRREVOCABLY WAIVE ALL RIGHTS TO A JURY TRIAL IN ANY ACTION OR PROCEEDING RELATED IN ANY WAY TO THIS AGREEMENT. Each party agrees that claims and disputes arising out of this Agreement must be decided exclusively in a federal or state court of competent jurisdiction located in a state in which either Buyer or Siemens maintains its principal place of business. Each party submits to the personal jurisdiction of such courts for the purpose of litigating any claims or disputes.

19. **SEVERABILITY.** If any provision of this Agreement is held invalid, illegal or unenforceable, the remaining provisions will not in any way be affected or impaired. A court may modify the invalid, illegal or unenforceable provision to reflect, as closely as possible, the parties' original intent.

20. **EXPORT / IMPORT COMPLIANCE.** Buyer acknowledges that Siemens is required to comply with applicable export / import laws and regulations relating to the sale, export, import, transfer, assignment, disposal and use of the Products, including any export / import license requirements. Buyer agrees that Products will not at any time directly or indirectly be used, exported, imported, sold, transferred, assigned or otherwise disposed of in a manner which will result in non-compliance with any export / import laws and regulations. Siemens' continuing performance hereunder is conditioned on compliance with such export / import laws and regulations at all times.

21. **PRODUCT RETURNS.** Prior to the return of any Product to Siemens, Buyer must identify the Product or portion thereof and obtain written authorization and shipping instructions from Siemens. Siemens has the right, in its sole discretion, to permit or reject any such return. Siemens' authorization to return any Product to Siemens does not relieve Buyer of its obligation to pay for such Product. Upon receipt, inspection, and acceptance of the Product by Siemens, Siemens will issue a credit memo to Buyer, less applicable re-stocking fees. Siemens reserves the right to reject any hazardous material.

22. **NUCLEAR.** Unless expressly authorized in writing by Siemens, the Products must not be used in or in connection with a nuclear facility or application. If Buyer uses any Product in connection with any nuclear facility or activity, it does so at its own risk and Buyer will indemnify, defend and hold Siemens harmless, and waives and will require its insurers to waive all right of recovery against Siemens for any damage, loss, destruction, injury or death resulting from a "nuclear incident," as defined in the Atomic Energy Act of 1954, as amended, whether or not due to Siemens' negligence. Siemens' consent to Buyer's use of the Product in connection with any nuclear facility or

application will be subject to additional terms and conditions that Siemens deems necessary to protect its interests.

23. SURVIVAL. The articles titled "Patent and Copyright Infringement," "Limitation of Liability," "Confidentiality," "Delivery; Title; Risk of Loss," "Export / Import Compliance," and "Nuclear" survive termination, expiration or cancellation of this Agreement.

PURCHASER'S ACCEPTANCE
The foregoing is hereby accepted.

Siemens Industry, Inc.
By

(Name of Purchaser)
By

Title

Date

Siemens Industry, Inc.
SIEMENS STANDARD TERMS AND CONDITIONS OF SALE FOR PRODUCTS
December 09, 2020 (Version 2.0/Restricted)

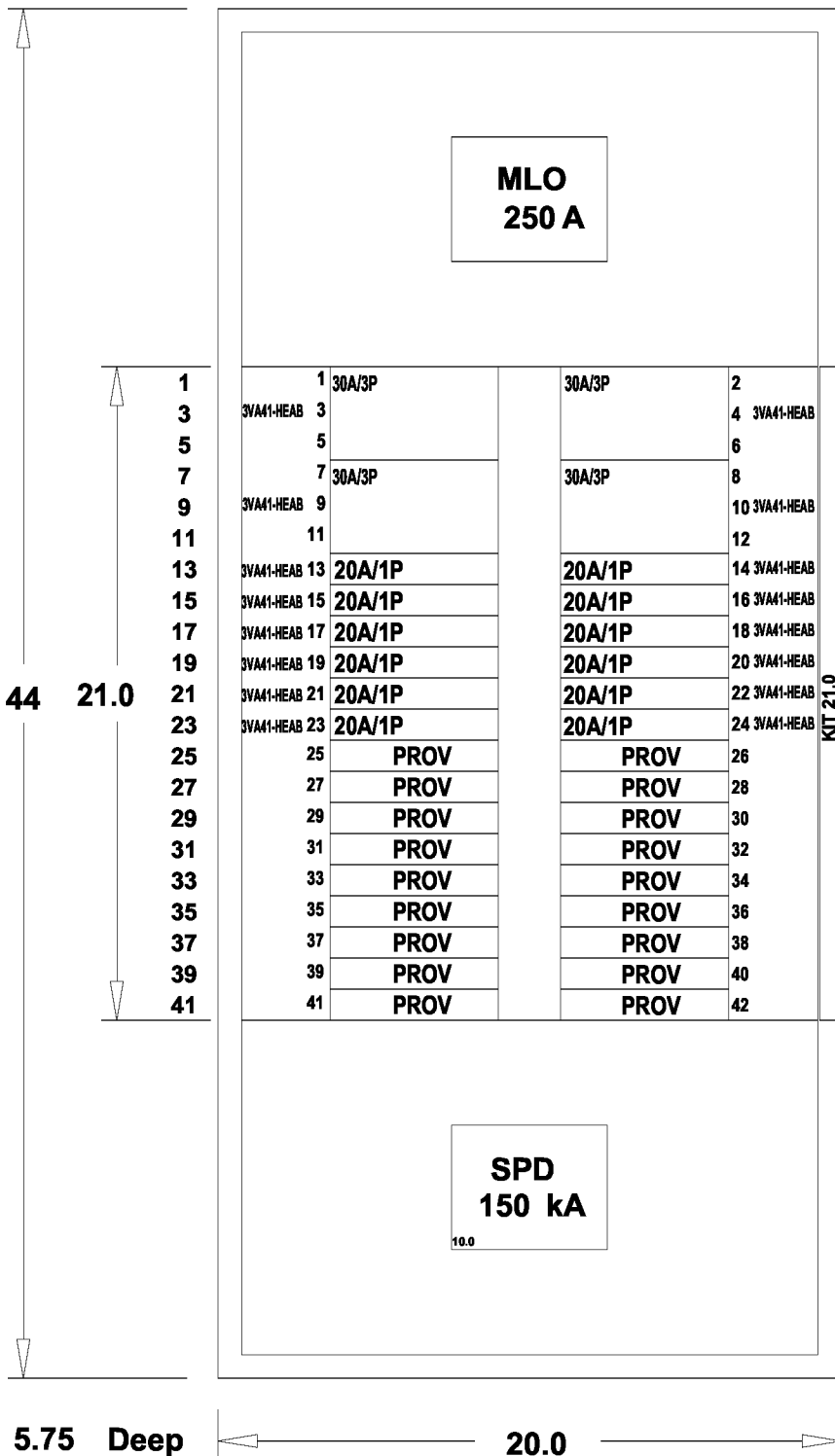
SECTION :1 OF 1
 PANEL TYPE :P1
 CATALOG NUMBER :P1E42ML250CTST
 ENCLOSURE :1 Indoor
 SYSTEM VOLTAGE :480Y/277 3Ø 4W Wye AC
 IR RATING :42 K AIC
 MAIN BUS :250 A
 BUS MATERIAL :Tin Plated Copper
 FEED :Top
 MOUNTING :Surface
 SE LABEL :No
 SERIES RATED :No
 CONDUIT AREA :N/A
 *INDICATES POSITIONING NUMBERS TO HELP WITH THE MANUAL PLACEMENT OF BREAKERS ON THE MECHANICAL VIEW

PANELBOARD COMPONENTS

Main :
 1 - 250A MAIN LUG
 1-AL/CU Main Lug

Branches :
 18 - GB PROVISION
 4 - 30A /3P-3VA41-HEAB
 1-3VA Mechanical (1)#14-3/0 AL Lug
 12 - 20A /1P-3VA41-HEAB
 1-3VA Mechanical (1)#14-3/0 AL Lug

Options :
 1-Subfeed/Feedthru Provision
 1-Gnd Conn-Shipped w/ Interior
 1-Card Holder-Std Plastic Sleeve
 1-Std Al/Cu Gnd Connector
 1-Master NP Secured -Adhesive
 1-250A 100% Neutral 42Cir AL
 1-Certification - UL
 1-150kA Panelboard TPS4 SPD
 1-SPD Surge Counter

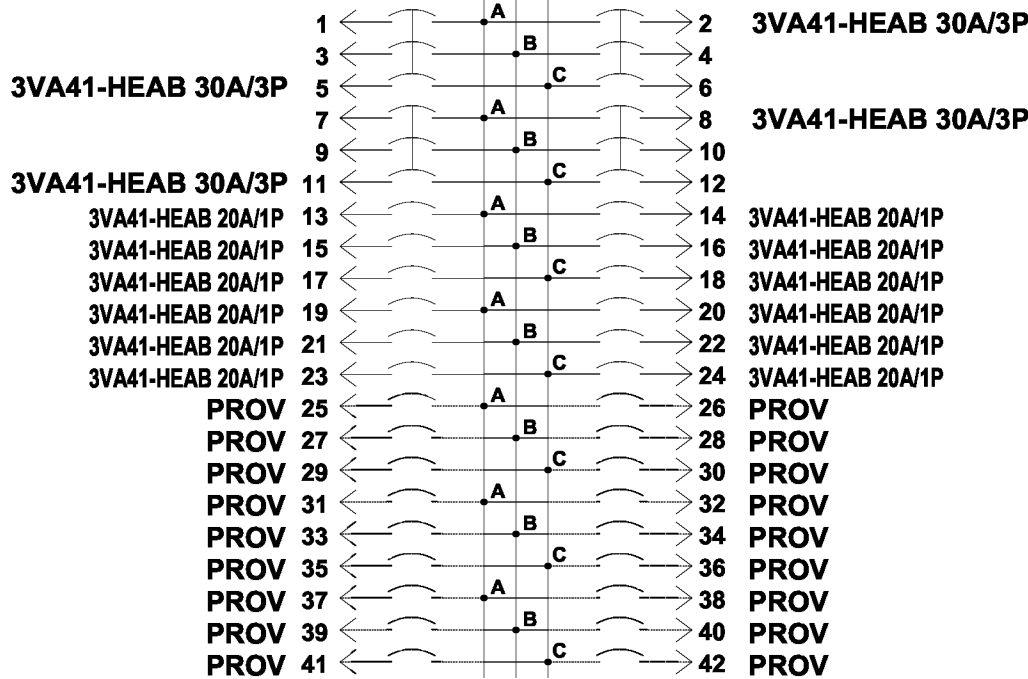
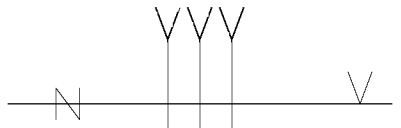


KIT 21.0

JOB Persigo WWTP			
P.O. =		CUST. CRUM ELECTRIC SUPPLY CO. INC	
CONTR =		CONSULT =	
TE =		BY harrb1	DESIGNATION HP11
S.O. 1000843467		ENG. LOC. =	DATE 7-7-2021
NO. 1		DWSG. NO. 1000843467-25000-1	
REVISIONS		DRAWN BY harrb1	DATE 7-7-2021
NO.		Siemens Industry, Inc.	
		Norcross, Georgia	
		APP. _____	REV. _____
		APP. _____	REV. _____
		SHEET 1 OF 5	
		1	

SECTION :1 OF 1
 PANEL TYPE :P1
 CATALOG NUMBER :P1E42ML250CTST
 ENCLOSURE :1 Indoor
 SYSTEM VOLTAGE :480Y/277 3Ø 4W Wye AC
 IR RATING :42 K AIC
 MAIN BUS :250 A
 BUS MATERIAL :Tin Plated Copper
 FEED :Top
 MOUNTING :Surface
 SE LABEL :No
 SERIES RATED :No
 CONDUIT AREA :N/A
 *INDICATES POSITIONING NUMBERS TO HELP WITH THE MANUAL PLACEMENT OF BREAKERS ON THE MECHANICAL VIEW

**250A
 (1)#6-350KCMIL/PH AND N**



ABBREVIATIONS

'MLO' MAIN LUGS ONLY
 'SPD' SURGE PROTECTIVE DEVICE

**SPD
 150 kA**

Persigo WWTP			
P.O.	CUST. CRUM ELECTRIC SUPPLY CO. INC		
CONTR	CONSULT		
TE	BY harrb1	ENG. LOC.	DESIGNATION
S.O. 1000843467	DATE 7-7-2021		HP11
DWG. NO. 1000843467-25000-2			
Siemens Industry, Inc.			
APP.	MFD. LOC.		REV.
APP.	DWG. FILE	SHEET 2 OF 5	1

CIRCUIT SCHEDULE

CIRCUIT NUMBER	UNIQUE ID NO.	TRIP AMPS (A)	POLES	DEVICE TYPE	INTERRUPT RATING (AIC)	METER ACC	CT RATING	LOAD LUG SIZE PER PHASE	CIRCUIT IDENTIFICATION
1/3/5	130	30	3	3VA41-HEAB	65,000	N/A	-	(1)#14-3/0 CU/AL	-
7/9/11	132	30	3	3VA41-HEAB	65,000	N/A	-	(1)#14-3/0 CU/AL	-
13	134	20	1	3VA41-HEAB	65,000	N/A	-	(1)#14-3/0 CU/AL	-
15	136	20	1	3VA41-HEAB	65,000	N/A	-	(1)#14-3/0 CU/AL	-
17	138	20	1	3VA41-HEAB	65,000	N/A	-	(1)#14-3/0 CU/AL	-
19	140	20	1	3VA41-HEAB	65,000	N/A	-	(1)#14-3/0 CU/AL	-
21	142	20	1	3VA41-HEAB	65,000	N/A	-	(1)#14-3/0 CU/AL	-
23	144	20	1	3VA41-HEAB	65,000	N/A	-	(1)#14-3/0 CU/AL	-
25	212	-	1	VLG-PROV	-	-	-	-	-
27	214	-	1	VLG-PROV	-	-	-	-	-
29	216	-	1	VLG-PROV	-	-	-	-	-
31	218	-	1	VLG-PROV	-	-	-	-	-
33	220	-	1	VLG-PROV	-	-	-	-	-
35	222	-	1	VLG-PROV	-	-	-	-	-
37	224	-	1	VLG-PROV	-	-	-	-	-
39	226	-	1	VLG-PROV	-	-	-	-	-
41	228	-	1	VLG-PROV	-	-	-	-	-
2/4/6	131	30	3	3VA41-HEAB	65,000	N/A	-	(1)#14-3/0 CU/AL	-
8/10/12	133	30	3	3VA41-HEAB	65,000	N/A	-	(1)#14-3/0 CU/AL	-
14	135	20	1	3VA41-HEAB	65,000	N/A	-	(1)#14-3/0 CU/AL	-
16	137	20	1	3VA41-HEAB	65,000	N/A	-	(1)#14-3/0 CU/AL	-
18	139	20	1	3VA41-HEAB	65,000	N/A	-	(1)#14-3/0 CU/AL	-
20	141	20	1	3VA41-HEAB	65,000	N/A	-	(1)#14-3/0 CU/AL	-
22	143	20	1	3VA41-HEAB	65,000	N/A	-	(1)#14-3/0 CU/AL	-
24	145	20	1	3VA41-HEAB	65,000	N/A	-	(1)#14-3/0 CU/AL	-
26	213	-	1	VLG-PROV	-	-	-	-	-
28	215	-	1	VLG-PROV	-	-	-	-	-
30	217	-	1	VLG-PROV	-	-	-	-	-
32	219	-	1	VLG-PROV	-	-	-	-	-
34	221	-	1	VLG-PROV	-	-	-	-	-
36	223	-	1	VLG-PROV	-	-	-	-	-
38	225	-	1	VLG-PROV	-	-	-	-	-
40	227	-	1	VLG-PROV	-	-	-	-	-
42	229	-	1	VLG-PROV	-	-	-	-	-

JOB			
Persigo WWTP			
P.O.	-	CUST.	CRUM ELECTRIC SUPPLY CO. INC
CONTR	-	CONSULT	-
TE	-	BY	harrb1
S.O.	1000843467	ENG. LOC.	-
		DATE	7-7-2021
		DESIGNATION	HP11
DWG. NO.			
1000843467-25000-3			
Siemens Industry, Inc.			
APP.	MPL. LOC.		
APP.	DWG. FILE	SHEET 3	OF 5
Norcross, Georgia			REV. 1

NAMEPLATE SCHEDULE

DESCRIPTION	NAMEPLATE NUMBER	UNIQUE ID NO.	ENGRAVING 1	ENGRAVING 2	ENGRAVING 3	LEAVE BLANK
MASTER	N1			HP11		No

NAMEPLATE			JOB Persigo WWTP		
			P.O. -		
MASTER	SIZE	1x3	CONTR -		
	COLOR	Black/White Core	TE -		
DEVICE	SIZE	1x3	BY harrb1		
	COLOR	Black/White Core	DATE 7-7-2021		
			S.O. 1000843467		
			DESIGNATION HP11		
			DWSL NO. 1000843467-25000-4		
			Siemens Industry, Inc.		
			Norcross, Georgia		
			APP.	MFG. LOC.	REV.
			APP.	DWSL FILE	1

APPLICATION ENGINEERING REPORT

UNIQUE ID NUMBER	DESCRIPTION	APPLICATION DESCRIPTION

JOB			
Persigo WWTP			
P.O.	=	CUST.	CRUM ELECTRIC SUPPLY CO. INC
CONTR	=	CONSULT	=
TE	=	BY	ENG. LOC.
		harrb1	
S.O.		DATE	DESIGNATION
1000843467		7-7-2021	HP11
		DWG. NO.	
		1000843467-25000-5	
Siemens Industry, Inc.		APP.	MPD. LOC.
Norcross, Georgia		APP.	DWG. FILE
		SHEET	5 OF 5
		REV.	1

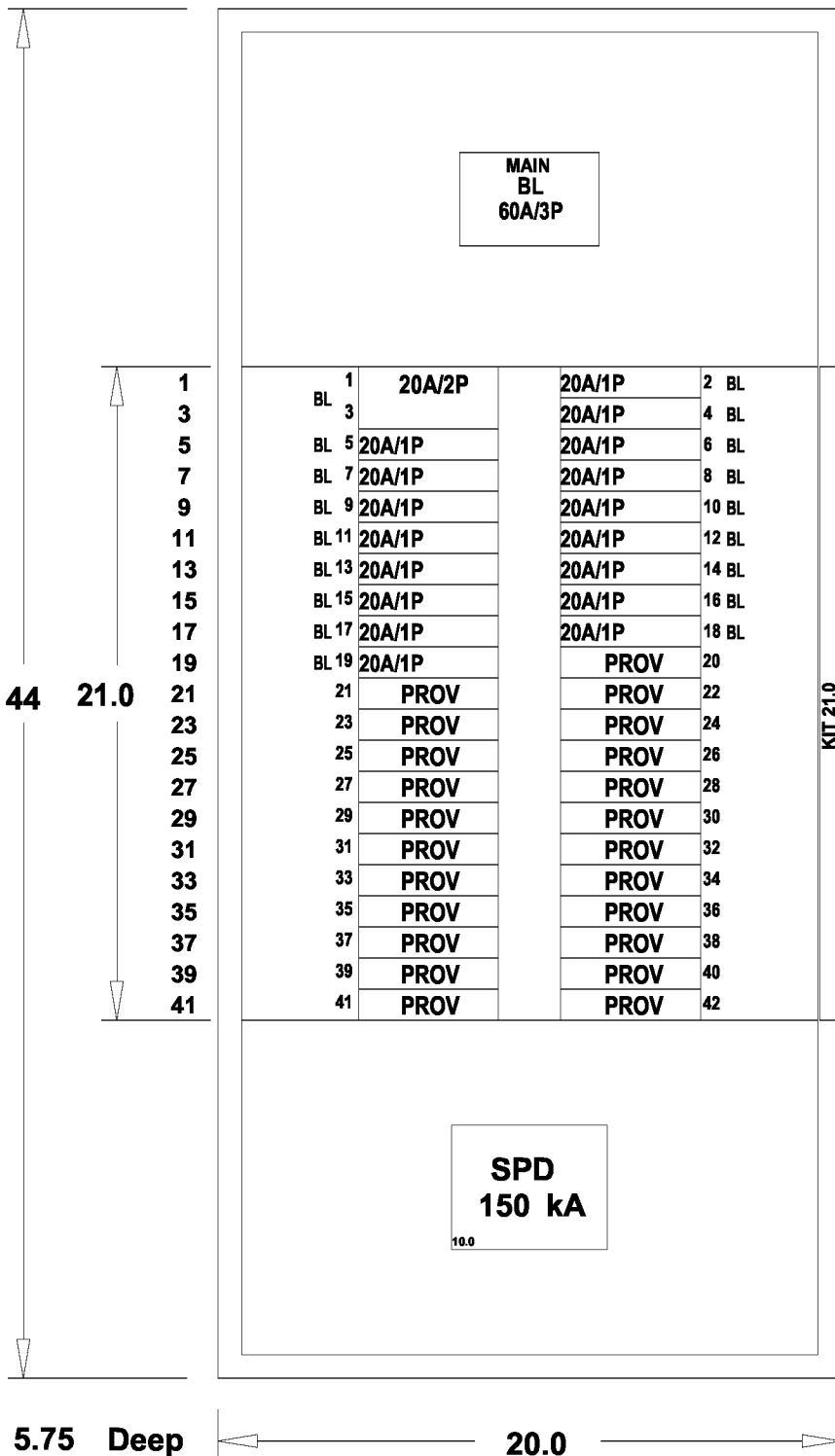
SECTION :1 OF 1
 PANEL TYPE :P1
 CATALOG NUMBER :P1C42BL060CTST
 ENCLOSURE :1 Indoor
 SYSTEM VOLTAGE :208Y/120 3Ø 4W Wye AC
 IR RATING :10 K AIC
 MAIN BUS :100 A
 BUS MATERIAL :Tin Plated Copper
 FEED :Top
 MOUNTING :Surface
 SE LABEL :No
 SERIES RATED :No
 CONDUIT AREA :N/A
 *INDICATES POSITIONING NUMBERS TO HELP WITH THE MANUAL PLACEMENT OF BREAKERS ON THE MECHANICAL VIEW

PANELBOARD COMPONENTS

Main :
 1 - 60A /3P-BL MAIN BREAKER

Branches :
 23 - BL/BQD PROVISION
 1 - 20A /2P-BL
 17 - 20A /1P-BL

Options :
 1-Subfeed/Feedthru Provision
 1-Gnd Conn-Shipped w/ Interior
 1-Std Al/Cu Gnd Connector
 1-250A 100% Neutral 42, 54Clr AL
 1-Card Holder-Std Plastic Sleeve
 1-Seismically Qualified
 1-RP1 3 Phase Main Kit BL/BQD
 1-Certification - UL
 1-150kA Panelboard TPS4 SPD
 1-SPD Surge Counter



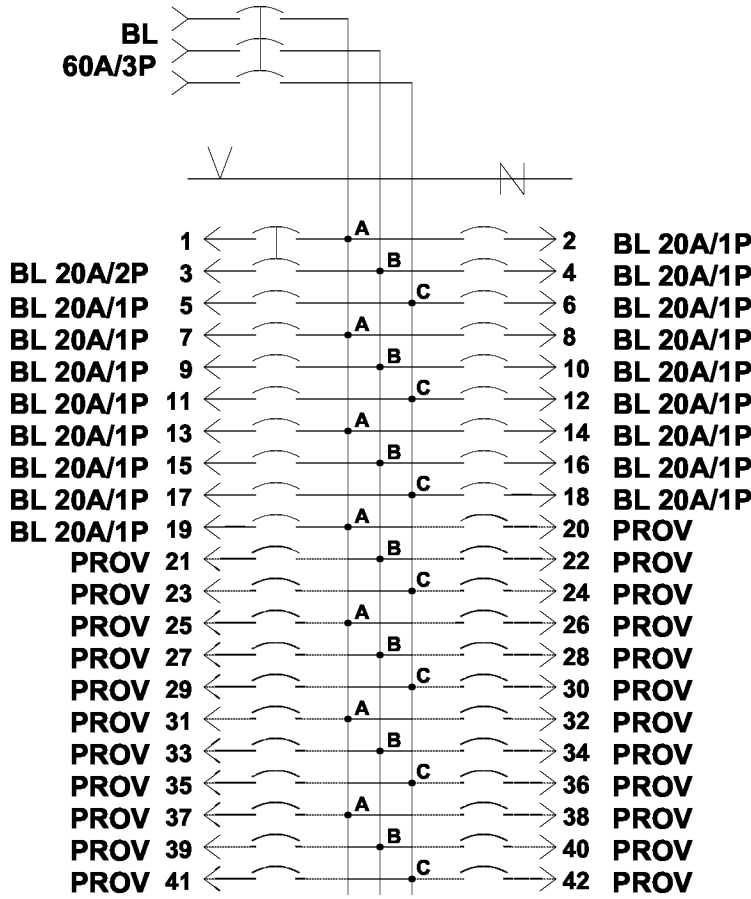
2 *
4
6
8
10
12
14
16
18
20
22
24
26
28
30
32
34
36
38
40
42

KIT 21.0

JOB Persigo WWTP			
P.O. -	CUST. CRUM ELECTRIC SUPPLY CO. INC		
CONTR -	CONSULT -		
TE -	BY harrb1	ENG. LOC. -	DESIGNATION LP11
S.O. 1000843467	DATE 7-7-2021		
DWG. NO. 1000843467-26000-1			
Siemens Industry, Inc.			
Norcross, Georgia			
NO.	REVISIONS	DRAWN BY	DATE
1	0	harrb1	7-7-2021
		APP.	MFG. LOC.
		APP.	DWG. FILE
SHEET 1 of 5			REV. 1

SECTION :1 OF 1
 PANEL TYPE :P1
 CATALOG NUMBER :P1C42BL060CTST
 ENCLOSURE :1 Indoor
 SYSTEM VOLTAGE :208Y/120 3Ø 4W Wye AC
 IR RATING :10 K AIC
 MAIN BUS :100 A
 BUS MATERIAL :Tin Plated Copper
 FEED :Top
 MOUNTING :Surface
 SE LABEL :No
 SERIES RATED :No
 CONDUIT AREA :N/A
 *INDICATES POSITIONING NUMBERS TO HELP WITH THE MANUAL PLACEMENT OF BREAKERS ON THE MECHANICAL VIEW

(1)#8-#4 CU / #6-#2 AL/PH AND N



ABBREVIATIONS

'SPD' SURGE PROTECTIVE DEVICE

SPD
 150 kA

JOB Persigo WWTP			
P.O. -	CUST. CRUM ELECTRIC SUPPLY CO. INC		
CONTR -	CONSULT -		
TE -	BY harrb1	ENG. LOC. -	DESIGNATION LP11
S.O. 1000843467	DATE 7-7-2021		
DWG. NO. 1000843467-26000-2			
Siemens Industry, Inc.			
APP. -	MFD. LOC. -	REV. -	
APP. -	DWG. FILE	SHEET 2 OF 5	1
Norcross, Georgia			

CIRCUIT SCHEDULE

CIRCUIT NUMBER	UNIQUE ID NO.	TRIP AMPS (A)	POLES	DEVICE TYPE	INTERRUPT RATING (AIC)	METER ACC	CT RATING	LOAD LUG SIZE PER PHASE	CIRCUIT IDENTIFICATION
1/3	83	20	2	BL	10,000	N/A	N/A	(1)#14-#10 CU / #12-#10 AL	-
5	86	20	1	BL	10,000	N/A	N/A	(1)#14-#10 CU / #12-#10 AL	-
7	88	20	1	BL	10,000	N/A	N/A	(1)#14-#10 CU / #12-#10 AL	-
9	90	20	1	BL	10,000	N/A	N/A	(1)#14-#10 CU / #12-#10 AL	-
11	92	20	1	BL	10,000	N/A	N/A	(1)#14-#10 CU / #12-#10 AL	-
13	94	20	1	BL	10,000	N/A	N/A	(1)#14-#10 CU / #12-#10 AL	-
15	96	20	1	BL	10,000	N/A	N/A	(1)#14-#10 CU / #12-#10 AL	-
17	98	20	1	BL	10,000	N/A	N/A	(1)#14-#10 CU / #12-#10 AL	-
19	100	20	1	BL	10,000	N/A	N/A	(1)#14-#10 CU / #12-#10 AL	-
21	180	-	1	B-PROV	-	-	-	-	-
23	182	-	1	B-PROV	-	-	-	-	-
25	184	-	1	B-PROV	-	-	-	-	-
27	186	-	1	B-PROV	-	-	-	-	-
29	188	-	1	B-PROV	-	-	-	-	-
31	190	-	1	B-PROV	-	-	-	-	-
33	192	-	1	B-PROV	-	-	-	-	-
35	194	-	1	B-PROV	-	-	-	-	-
37	196	-	1	B-PROV	-	-	-	-	-
39	198	-	1	B-PROV	-	-	-	-	-
41	200	-	1	B-PROV	-	-	-	-	-
2	84	20	1	BL	10,000	N/A	N/A	(1)#14-#10 CU / #12-#10 AL	-
4	85	20	1	BL	10,000	N/A	N/A	(1)#14-#10 CU / #12-#10 AL	-
6	87	20	1	BL	10,000	N/A	N/A	(1)#14-#10 CU / #12-#10 AL	-
8	89	20	1	BL	10,000	N/A	N/A	(1)#14-#10 CU / #12-#10 AL	-
10	91	20	1	BL	10,000	N/A	N/A	(1)#14-#10 CU / #12-#10 AL	-
12	93	20	1	BL	10,000	N/A	N/A	(1)#14-#10 CU / #12-#10 AL	-
14	95	20	1	BL	10,000	N/A	N/A	(1)#14-#10 CU / #12-#10 AL	-
16	97	20	1	BL	10,000	N/A	N/A	(1)#14-#10 CU / #12-#10 AL	-
18	99	20	1	BL	10,000	N/A	N/A	(1)#14-#10 CU / #12-#10 AL	-
20	179	-	1	B-PROV	-	-	-	-	-
22	181	-	1	B-PROV	-	-	-	-	-
24	183	-	1	B-PROV	-	-	-	-	-
26	185	-	1	B-PROV	-	-	-	-	-
28	187	-	1	B-PROV	-	-	-	-	-
30	189	-	1	B-PROV	-	-	-	-	-
32	191	-	1	B-PROV	-	-	-	-	-
34	193	-	1	B-PROV	-	-	-	-	-
36	195	-	1	B-PROV	-	-	-	-	-
38	197	-	1	B-PROV	-	-	-	-	-
40	199	-	1	B-PROV	-	-	-	-	-
42	201	-	1	B-PROV	-	-	-	-	-

JOB			
Persigo WWTP			
P.O.	CUST. CRUM ELECTRIC SUPPLY CO. INC		
CONTR	CONSULT		
TE	BY	ENG. LOC.	DESIGNATION
S.O.	harrb1	-	LP11
1000843467	DATE	7-7-2021	
DWG. NO. 1000843467-26000-3			
Siemens Industry, Inc.			
APP.	MPL. LOC.	REV.	
APP.	DWG. FILE	SHEET 3 OF 5	
Norcross, Georgia			1

JOB
Persigo WWTP

P.O. = CUST. **CRUM ELECTRIC SUPPLY CO. INC**

CONTR = CONSLT =

TE = BY **harrb1** ENG. LOC. = DESIGNATION **LP11**

S.O. **1000843467** DATE **7-7-2021**

DWG. NO. **1000843467-26000-4**

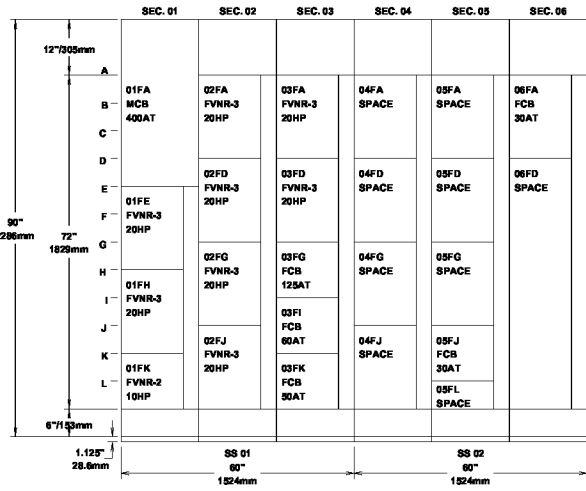
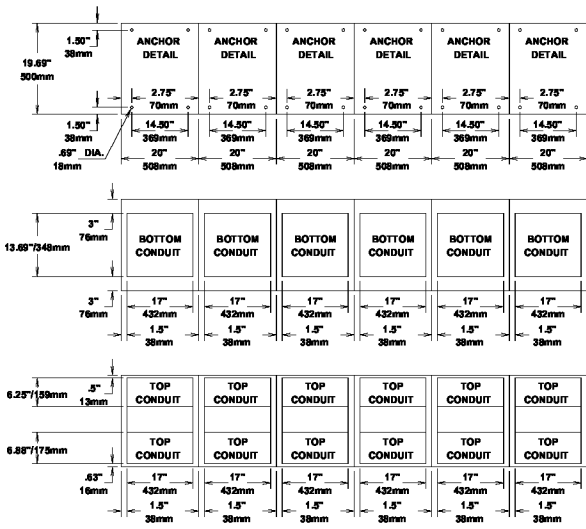
Siemens Industry, Inc. APP. = MFG. LOC. =

Norcross, Georgia APP. = DWG. FILE = SHEET **4** OF **5** REV. **1**

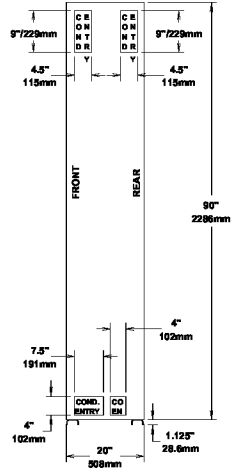
APPLICATION ENGINEERING REPORT

UNIQUE ID NUMBER	DESCRIPTION	APPLICATION DESCRIPTION

JOB			
Persigo WWTP			
P.O.	=	CUST.	CRUM ELECTRIC SUPPLY CO. INC
CONTR	=	CONSULT	=
TE	=	BY	ENG. LOC.
		harrb1	
S.O.		DATE	DESIGNATION
1000843467		7-7-2021	LP11
		DWG. NO.	
		1000843467-26000-5	
Siemens Industry, Inc.		APP.	MPD. LOC.
Norcross, Georgia		APP.	DWG. FILE
		SHEET 5 OF 5	
		REV. 1	



CUSTOMER SECT. ID	20/08	20/08	20/08	20/08	20/08	20/08
DEPTH (In/mm)	20/08	20/08	20/08	20/08	20/08	20/08
WIDTH (In/mm)	20/08	20/08	20/08	20/08	20/08	20/08
HORIZONTAL BUS	YES	YES	YES	YES	YES	YES
VERTICAL BUS TYPE	600A FRONT	600A FRONT	600A FRONT	600A FRONT	600A FRONT	600A FRONT
VB BARRIERS	ISOLATED	ISOLATED	ISOLATED	ISOLATED	ISOLATED	ISOLATED
VB SHUTTERS	AUTOMATIC	AUTOMATIC	AUTOMATIC	AUTOMATIC	AUTOMATIC	AUTOMATIC
VB WW ACCESS HOLES	NO	NO	NO	NO	NO	NO
DOUBLE DEEP BUS-THRU
THERMOSTAT
FLUORESCENT LIGHT
LIGHT SWITCH
DUPLEX RECEPTACLE
NEMA 3R DOOR FAN
OPTIONS
GENERAL NOTES
SHOP NOTES	MN	MN	MN	MN	MN	MN
N1						
N2						
N3						
N4						



GENERAL	BUS	UNITS	
SERVICE	480 3Ø3W AC	MIN WITHSTAND RATINGS	
SYSTEM GROUNDING	SOLIDLY GROUNDED	CB COMBINATION	65K AIC SYM
FREQUENCY	60 HZ	CB FEEDER	65K AIC SYM
AVAIL FAULT CURR	65K AIC SYM	FUSIBLE COMBINATION	-
SERVICE ENTRANCE	NOT APPLICABLE	FUSIBLE FEEDER	-
MCC TYPE	TIASTAR	WIRING CLASS	IS
LABELS	UL WHERE APPLICABLE	TYPE	BD (CTRL TERM BLKS)
UL	-	CTRL TERM BLOCKS	PULL-APART
REGIONAL CODES	-	EXTRA UNUSED PTS	-
ALTITUDE RATINGS	UP TO 3000FT / 915M	POWER TERM BLOCKS	NOT APPLICABLE
CUST INSPECT REQD	NONE	CONTROL WIRE	14 AWG MTW
CERTIFIED TEST RPTS	-	POWER WIRE	STANDARD
GENERAL NOTES	-	CONTROL TERMINALS	-
	-	POWER TERMINALS	-
	-	WIRE MARKERS	CONTROL ONLY
	-	TYPE	HEAT SHRINK
SHOP NOTES	-	GENERAL OPTIONS	NONE
	-	UNIT DIAG ON DOOR	-
	-	HEATER TBLS ON DOOR	-
	-	UNIT SIDE BARRIER	-
	-	NAMEPLATES	
	-	UNIT	1.25 X 3.562
	-	COLOR (FACE/TEXT)	WHITE/BLACK
	-	TEXT SIZE	3/16
	-	TEXT	SEE NAMEPLATE INFO
	-	ATTACHMENT	STANDARD
	-	COMPONENT	-
	-	MASTER	2X8
	-	COLOR (FACE/TEXT)	WHITE/BLACK
	-	TEXT SIZE	3/8
	-	STRUCTURE	
	-	NEMA TYPE	1A
	-	EXTERNAL	-
	-	HEIGHT	91.125" / 2315MM
	-	DEPTH	20" / 508MM FRT ONLY
	-	PAINT	GRAY ANSI 61
	-	GENERAL OPTIONS	NONE
	-	FISH-TAPE BARRIERS	-
	-	REMOV BOT PLATES	-
	-	BASE CHANNELS	-
	-	SEISMIC	-
	-	TWO-PC BACKPLATE	-
	-	FUNGUS PROOFING	-
	-	SPACE HEATERS	-
	-	SIZE	-
	-	POWER SOURCE	-
	-	BARRIER	-
	-	THERMOSTAT	-
	-	SPECIAL DIAGRAMS	-
	-	INTERCONNECTION	-
	-	COMMUNICATION	-
	-	SPACE HEATER	-
	-	LIGHT/SWITCH/RECEP	-
	-	VENTILATION	-
	-	MISC 1	-
	-	MISC 2	-
	-	MISC 3	-
	-	INCOMING	
	-	MAIN ENTRY TYPE	CABLE ENTRY UNIT
	-	LOCATION	TOP
	-	SECTION	01
	-	UNIT	01FA
	-	INCOMING CABLES	(2)300 KCMIL

Persigo WWTP

JOB NO: 1000843467

DATE: 7-8-2021

BY: hsmrb1

DATE: 7-8-2021

CONTRACT NO: 1000843467-27000-1

COMPANY: CRUM ELECTRIC SUPPLY CO. INC

OPERATION: MCC-11

Siemens Industry, Inc.

Norcross, Georgia

Sheet 1 of 5

NO.	REVISIONS	DRAWN BY:	DATE
1	0	hsmrb1	7-8-2021

NAMEPLATE SCHEDULE

TYPE	UNIT NUMBER	DESCRIPTION	ENGRAVING1	ENGRAVING2	ENGRAVING3	ENGRAVING4	LEAVE BLANK
MASTER		MCC					No
Unit	01FA	600AF 400AT SHLD6 MCB.					No
Unit	01FE	(8), FVNR, CB, SZ 3, 20HP.					No
Unit	01FH	(8), FVNR, CB, SZ 3, 20HP.					No
Unit	01FK	(1), FVNR, CB, SZ 2, 10HP.					No
Unit	02FA	(8), FVNR, CB, SZ 3, 20HP.					No
Unit	02FD	(8), FVNR, CB, SZ 3, 20HP.					No
Unit	02FG	(8), FVNR, CB, SZ 3, 20HP.					No
Unit	02FJ	(8), FVNR, CB, SZ 3, 20HP.					No
Unit	03FA	(8), FVNR, CB, SZ 3, 20HP.					No
Unit	03FD	(8), FVNR, CB, SZ 3, 20HP.					No
Unit	03FG	(1), 125AF 125AT LG FCB.					No
Unit	03FI	(1), 125AF 60AT LG FCB.					No
Unit	03FK	(1), 125AF 90AT LG FCB.					No
Unit	04FA	(7), 18 X 16 SPACE.					No
Unit	04FD	(7), 18 X 16 SPACE.					No
Unit	04FG	(7), 18 X 16 SPACE.					No
Unit	04FJ	(7), 18 X 16 SPACE.					No
Unit	05FA	(7), 18 X 16 SPACE.					No
Unit	05FD	(7), 18 X 16 SPACE.					No
Unit	05FG	(7), 18 X 16 SPACE.					No
Unit	05FJ	(1), 125AF 30AT LG FCB.					No
Unit	05FL	(1), 8 X 16 SPACE.					No
Unit	06FA	(1), 125AF 30AT LG FCB.					No
Unit	06FD	(1), 54 X 16 SPACE.					No

Persigo WWTP			
P.O. -		CUST. CRUM ELECTRIC SUPPLY CO. INC	
CONTR -		CONSULT -	
BY -	ENG. LOC. -	DESIGNATION -	
DATE 1000843467	harrb1	7-8-2021	MCC-11
DWSL NO. 1000843467-27000-3			
Siemens Industry, Inc.		APP. -	INFO. LOC. -
Norcross, Georgia		APP. -	DWSL FILE
		SHEET 3 OF 5	
		REV. 1	

ABBREVIATIONS

NOTES

M26 - PAC3200 3 PHASE POWER-METER WITH CTS AND PTS.

T43 - 100 KA SPD.

R - PILOT LIGHT WITH RED LENS AND RUNNING LEGEND.

A - PILOT LIGHT WITH AMBER LENS AND OL TRIPPED LEGEND.

GG - PILOT LIGHT WITH GREEN LENS AND OFF LEGEND.

P - PUSH BUTTON WITH NC CONTACT AND STOP LEGEND.

S - PUSH BUTTON WITH NO CONTACT AND START LEGEND.

RE - PUSH BUTTON WITH NO/NC CONTACT AND RESET LEGEND.

H - SELECTOR SWITCH 3 POSITION WITH HAND OFF AUTO LEGEND.

E - ELAPSED TIME METER.

UT - UNIT TRANSFORMER PROVIDES CONTROL POWER; X/Y SHOWS PRIMARY/SECONDARY FUSES.

LI - ADJUSTABLE INSTANTANEOUS PICKUP.

ES200 - ESP200 SOLID STATE OVERLOAD RELAY.

P6 - THIS MCC IS PROVIDED WITH A BOTTOM MOUNTED GROUND BUS. BOTTOM CONDUIT SPACE IS RESTRICTED; SEE DRAWING D79641 FIGURE 1.
 CCU - POWER-METER WITH 400:5 CTS AND 1 PASS THROUGH CTS.
 E2 - HIGH EFFICIENCY MOTOR APPLICATION.

JOB			
Persigo WWTP			
P.O. =		CUST. CRUM ELECTRIC SUPPLY CO. INC	
CONTR =		CONSULT =	
BY =		ENG. LOC.	DESIGNATION
S.D. 1000843467		harrb1	MCC-11
		DATE 7-8-2021	
		DWG. NO. 1000843467-27000-4	
Siemens Industry, Inc.		APP.	INFO. LOC.
		APP.	DWG. FILE
Norcross, Georgia		SHEET 4 OF 5	
			REV. 1

JOB			
Persigo WWTP			
P.O. -		CUST. CRUM ELECTRIC SUPPLY CO. INC	
CONTR -		CONSULT -	
TITLE -		BY harrb1	ENG. LOC. -
S.D. 1000843467		DATE 7-8-2021	DESIGNATION MCC-11
Siemens Industry, Inc.		DWG. NO. 1000843467-27000-5	
Norcross, Georgia		APP. -	REV. 1
		APP. -	REV. -
		DWG. FILE	SHEET 5 OF 5

UNIT SCHEDULE

UNIT NO		UNIT DESCRIPTION					MOTOR DATA					CIRCUIT BREAKER/DISCONNECT SWITCH					OVERLOAD		WIRING	CONTROL CIRCUIT				TOT AUX		PILOT	UNIT OPTIONS	N	UNIT NOTES	FACTORY USE ONLY			
CUST	SII	L/R	TYPE	SUB	HT	SZ	HP/	KW	FLA	SF	RPM	FRAME or	DS	TRIP or	CLIP	RNG or	FUSE	TYPE	RNG/HTR	DIAGRAM	TY	FU	VOLT	CPT	NO	NC	DEVICES			NOTES	NOTES	PUCX	
-	01FA	-	MLO	-	12	800	-	-	-	-	-	-	-	-	-	-	-	-	-	-	-	-	-	-	-	-	-	-	-	-	-	-	FMNR
-	01FC	-	SPD	-	6	100	-	-	-	-	-	-	-	-	-	-	-	-	-	D68500TV2	-	-	-	-	-	-	-	-	-	-	-	-	UMNR
-	01FD	-	FCB	-	18	-	-	-	-	-	-	HFD6	250	225	-	-	-	-	-	-	-	UT	2/1	120	50	-	-	A G G P	E	-	-	-	UMNM
-	-	-	-	-	-	-	-	-	-	-	-	-	-	-	-	-	-	-	-	-	-	-	-	-	-	-	-	-	-	-	-	-	
-	01FG	-	FCB	-	18	-	-	-	-	-	-	HFD6	250	225	-	-	-	-	-	-	-	UT	2/1	120	50	-	-	A G G P	E	-	-	-	UMNM
-	-	-	-	-	-	-	-	-	-	-	-	-	-	-	-	-	-	-	-	-	-	-	-	-	-	-	-	-	-	-	-	-	
-	01FJ	-	FCB	-	18	-	-	-	-	-	-	HFD6	250	225	-	-	-	-	-	-	-	UT	2/1	120	50	-	-	A G G P	E	-	-	-	UMNM
-	-	-	-	-	-	-	-	-	-	-	-	-	-	-	-	-	-	-	-	-	-	-	-	-	-	-	-	-	-	-	-	-	
-	02FA	-	FCB	-	18	-	-	-	-	-	-	HFD6	250	225	-	-	-	-	-	-	-	UT	2/1	120	50	-	-	A G G P	E	-	-	-	UMNM
-	-	-	-	-	-	-	-	-	-	-	-	-	-	-	-	-	-	-	-	-	-	-	-	-	-	-	-	-	-	-	-	-	
-	02FD	-	FCB	-	18	-	-	-	-	-	-	HFD6	250	225	-	-	-	-	-	-	-	UT	2/1	120	50	-	-	A G G P	E	-	-	-	UMNM
-	-	-	-	-	-	-	-	-	-	-	-	-	-	-	-	-	-	-	-	-	-	-	-	-	-	-	-	-	-	-	-	-	
-	02FG	-	FCB	-	18	-	-	-	-	-	-	HFD6	250	225	-	-	-	-	-	-	-	UT	2/1	120	50	-	-	A G G P	E	-	-	-	UMNM
-	-	-	-	-	-	-	-	-	-	-	-	-	-	-	-	-	-	-	-	-	-	-	-	-	-	-	-	-	-	-	-	-	
-	02FJ	-	FCB	-	18	-	-	-	-	-	-	LGG	125	30	-	-	-	-	-	-	-	-	-	-	-	-	-	-	-	-	-	-	UMNM

JOB			
Persigo WWTP			
P.O.		CUST.	
-		CRUM ELECTRIC SUPPLY CO. INC	
CONTR		CONSULT	
-		-	
BY	ENG. LOC.	DESIGNATION	
harrb1	-	VFD MCC	
S.D.	DATE		
1000843467	7-7-2021		
DWSG NO.		1000843467-28000-2	
Siemens Industry, Inc.			
APP.	INFO. LOC.		
-	-		
APP.	DWSG FILE	SHEET 2 of 5	
Norcross, Georgia		REV. 1	

NAMEPLATE SCHEDULE

TYPE	UNIT NUMBER	DESCRIPTION	ENGRAVING1	ENGRAVING2	ENGRAVING3	ENGRAVING4	LEAVE BLANK
Unit	01FA	800A Main Lug Only.					No
Unit	01FC	(1), 100SPD.					No
Unit	01FD	(6), 250AF 225AT HFD6 FCB.					No
Unit	01FG	(6), 250AF 225AT HFD6 FCB.					No
Unit	01FJ	(6), 250AF 225AT HFD6 FCB.					No
Unit	02FA	(6), 250AF 225AT HFD6 FCB.					No
Unit	02FD	(6), 250AF 225AT HFD6 FCB.					No
Unit	02FG	(6), 250AF 225AT HFD6 FCB.					No
Unit	02FJ	(1), 125AF 30AT LG FCB.					No

JOB			
Persigo WWTP			
P.O. -		CUST. CRUM ELECTRIC SUPPLY CO. INC	
CONTR -		CONSULT -	
BY -	ENG. LOC.	DESIGNATION	
harrb1	-	VFD MCC	
DWG. NO. 1000843467	DATE 7-7-2021		
DWSG. NO. 1000843467-28000-3			
Siemens Industry, Inc.			
APP. -	MFG. LOC. -		
APP. -	DWSG. FILE	SHEET 3 OF 5	REV. 1
Norcross, Georgia			

ABBREVIATIONS

NOTES

T43 - 100 KA SPD.

R - PILOT LIGHT WITH RED LENS AND RUNNING LEGEND.

A - PILOT LIGHT WITH AMBER LENS AND OL TRIPPED LEGEND.

GG - PILOT LIGHT WITH GREEN LENS AND OFF LEGEND.

P - PUSH BUTTON WITH NC CONTACT AND STOP LEGEND.

S - PUSH BUTTON WITH NO CONTACT AND START LEGEND.

RE - PUSH BUTTON WITH NO/NC CONTACT AND RESET LEGEND.

E - ELAPSED TIME METER.

UT - UNIT TRANSFORMER PROVIDES CONTROL POWER; X/Y SHOWS PRIMARY/SECONDARY FUSES.

P6 - THIS MCC IS PROVIDED WITH A BOTTOM MOUNTED GROUND BUS. BOTTOM CONDUIT SPACE IS RESTRICTED; SEE DRAWING D79641 FIGURE 1.

JOB			
Persigo WWTP			
P.O. =		CUST. CRUM ELECTRIC SUPPLY CO. INC	
CONTR =		CONSULT =	
TE =	BY harrb1	ENG. LOC.	DESIGNATION
S.D. 1000843467	DATE 7-7-2021	"	VFD MCC
DWSL NO.		1000843467-28000-4	
Siemens Industry, Inc.		APP.	INFO. LOC.
Norcross, Georgia		APP.	DWSL FILE
		SHEET 4 OF 5	
			REV. 1

JOB			
Persigo WWTP			
P.O.		CUST.	
-		CRUM ELECTRIC SUPPLY CO. INC	
CONTR		CONSULT	
-		-	
TR		BY	ENG. LOC.
-		harrb1	
S.D.		DATE	DESIGNATION
1000843467		7-7-2021	VFD MCC
		DWG. NO.	
		1000843467-28000-5	
Siemens Industry, Inc.		APP.	INFO. LOC.
Norcross, Georgia		-	-
		APP.	DWG. FILE
			SHEET 5 of 5
			REV.
			1