

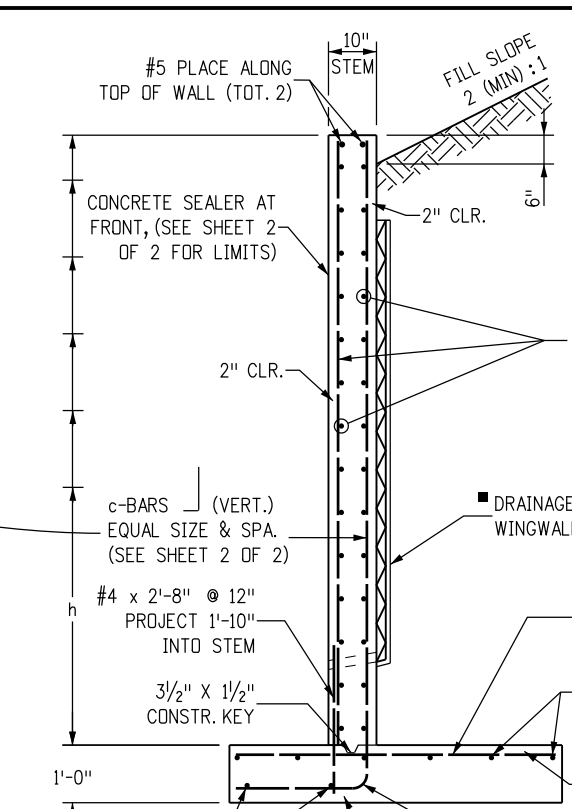
BOX ELEVATION

$m = h, B_a \text{ OR RISE} + (1'-4")$
UNLESS OTHERWISE SHOWN ON PLANS

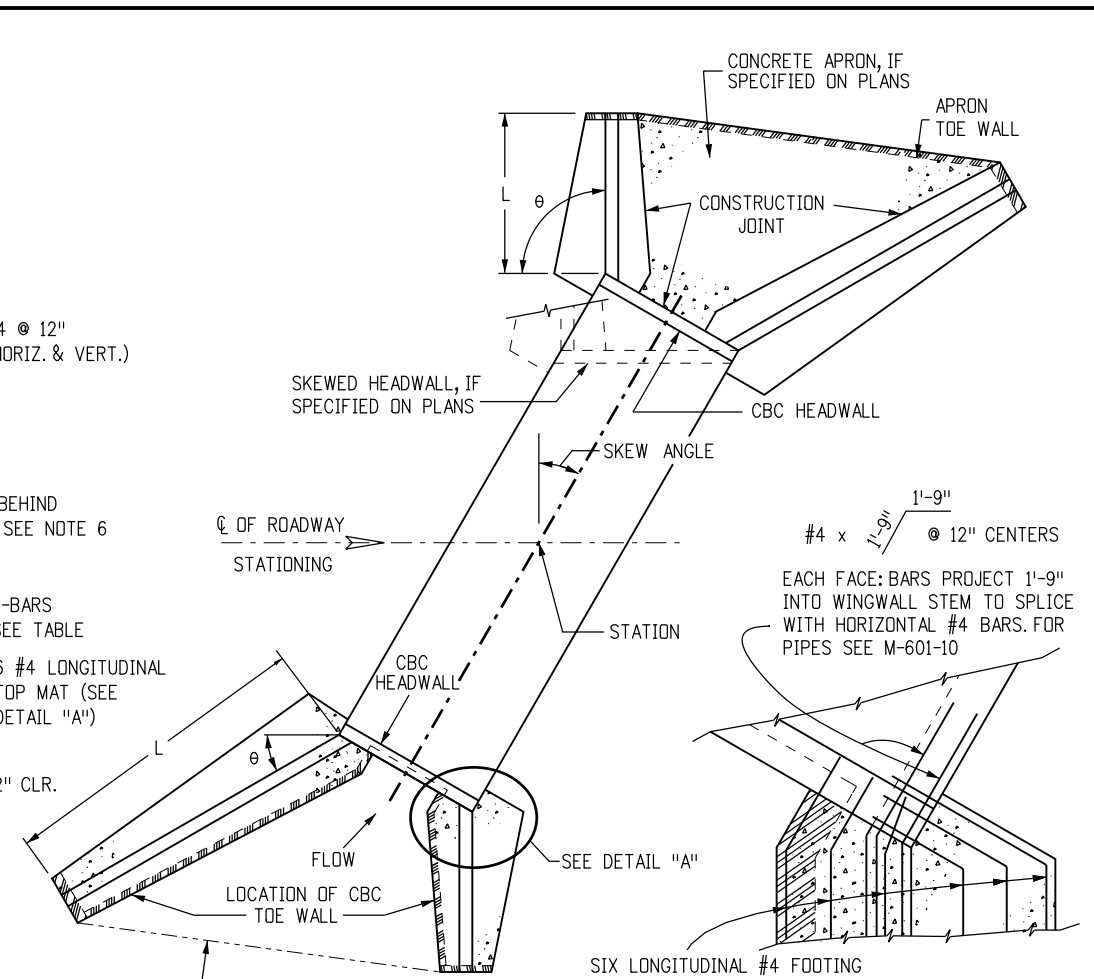
h =	2'	3'	4'	5'	6'	7'	8'	9'	10'	11'	12'	13'	14'
a =	1'-0"	1'-2"	1'-4"	1'-6"	1'-8"	1'-10"	2'-0"	2'-2"	2'-4"	2'-6"	2'-8"	2'-10"	3'-0"
b =	1'-8"	2'-0"	2'-4"	2'-8"	3'-0"	3'-4"	3'-8"	4'-0"	4'-4"	4'-8"	5'-0"	5'-4"	5'-8"
w =	2'-8"	3'-2"	3'-8"	4'-2"	4'-8"	5'-2"	5'-8"	6'-2"	6'-8"	7'-2"	7'-8"	8'-2"	8'-8"
d-BARS	#4 @ 9"	#4 @ 9"	#4 @ 9"	#4 @ 9"	#4 @ 9"	#4 @ 9"	#5 @ 11"	#5 @ 10"	#5 @ 10"	#5 @ 8"	#6 @ 8"	#7 @ 9"	#7 @ 7"
* CONC. CY/LF	0.161	0.210	0.259	0.309	0.358	0.407	0.457	0.506	0.556	0.605	0.654	0.704	0.753

* DOES NOT INCLUDE TOE WALL QUANTITIES SEE SHEET 2 OF 2 FOR REINFORCING STEEL QUANTITY

■ REQUIRED DRAINAGE BEHIND WINGWALLS SEE NOTE 6



TYPICAL SECTION



TYPICAL CULVERT LAYOUT

DESIGN DATA:

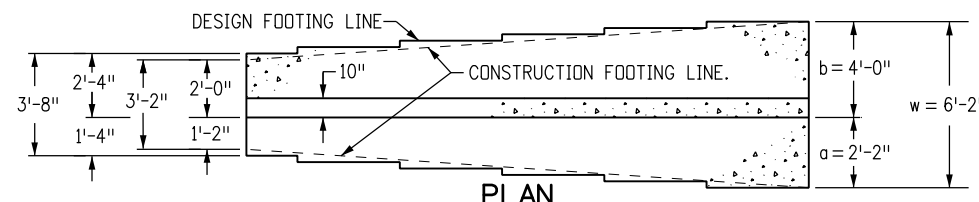
AASHTO LRFD EIGHTH EDITION, 2017
DESIGN METHOD: LOAD AND RESISTANCE FACTOR DESIGN, YIELD LINE METHOD

REINFORCED CONCRETE:
CONCRETE CLASS D (BOX CULVERT): $f'_c = 4,500 \text{ PSI}$
REINFORCING STEEL: $f_y = 60,000 \text{ PSI}$

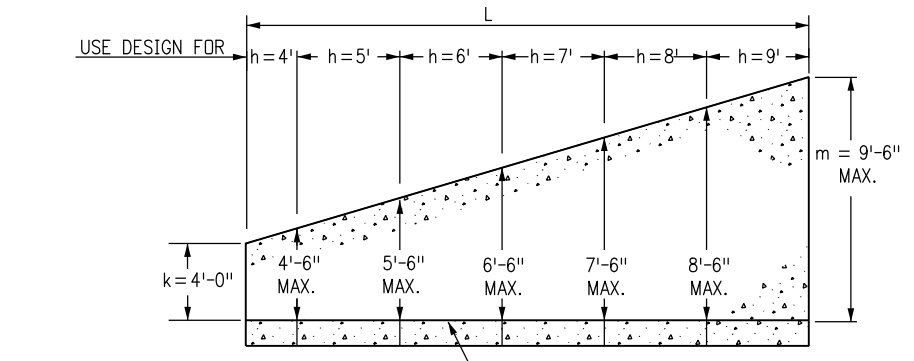
LOADING:
AT-REST EARTH (FLUID) PRESSURE FOR CONCRETE STEM DESIGN = 55 PCF FOR 2 (MIN.):1 SLOPED BACKFILL
ACTIVE EARTH (FLUID) PRESSURE FOR CONCRETE FOOTING DESIGN = 40 PCF FOR 2 (MIN.):1 SLOPED BACKFILL
LIVE LOAD SURCHARGE = 2'
MINIMUM RESISTANCE FOR SOIL BEARING = 5.5 KSF
SOIL BEARING RESISTANCE FACTOR = 0.45

GENERAL NOTES:

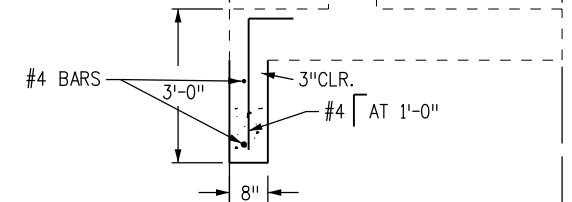
- ALL EXPOSED CONCRETE CORNERS SHALL BE CHAMFERED $\frac{3}{4}$ IN.
- WINGWALL FOOTING AND FLOOR OF BOX CULVERT SHALL BE PLACED MONOLITHICALLY.
- DIMENSIONS "h", "k", "L", "m" AND ANGLE "θ" FOR WINGWALL SHALL BE AS SHOWN ON THE PLANS.
- MINIMUM CLASS B LAP SPLICE LENGTH FOR BLACK REINFORCING BARS:
BAR SIZE: #4 #5 #6 #7
SPLICE LENGTH: 1'-6" 1'-11" 2'-3" 2'-7"
- DESIGN DOES NOT CONSIDER ANY SCOUR EFFECTS.
- WINGWALL DRAIN SHALL BE REQUIRED IF "h" ≥ 12.0 FT., SEE SHEET 2 OF 2 FOR DETAILS.



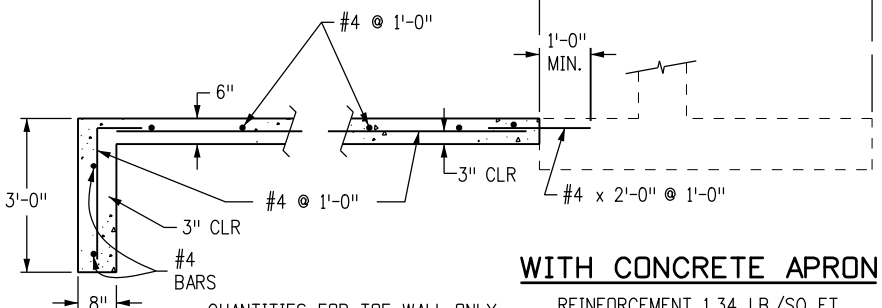
PLAN



ELEVATION DESIGN EXAMPLE



WITH TOE WALL



WITH CONCRETE APRON

QUANTITIES FOR TOE WALL ONLY
CONCRETE 0.049 CU. YD./LIN. FT.
REINFORCEMENT 5.1 LB./LIN. FT.

REINFORCEMENT 1.34 LB./SQ. FT.

Computer File Information

Creation Date: 07/31/19	(R-X)
Designer Initials: JBK	(R-X)
Last Modification Date: 07/31/19	(R-X)
Detailer Initials: LTA	(R-X)
CAD Ver.: MicroStation V8 Scale: Not to Scale Units: English	(R-X)

Sheet Revisions

Date:	Comments:

Colorado Department of Transportation

2829 West Howard Place
CDDT HQ, 3rd Floor
Denver, CO 80204
Phone: 303-757-9021 FAX: 303-757-9868

Project Development Branch JBK

WINGWALLS FOR PIPE OR BOX CULVERTS

Issued by the Project Development Branch: July 31, 2019

STANDARD PLAN NO.

M-601-20

Standard Sheet No. 1 of 2

Project Sheet Number:

c-BARS AND REINFORCING STEEL QUANTITY (EXCLUDE TOE WALL)

* REINFORCING STEEL QUANTITY INCLUDES STEM AND FOOTING QUANTITIES, BUT DOES NOT INCLUDE TOE WALL QUANTITIES.

L (MULTIPLE OF m)		≤ (1.0 x m)		≤ (1.25 x m)		≤ (1.5 x m)		≤ (1.75 x m)		≤ (2.0 x m)		≤ (2.25 x m)		≤ (2.5 x m)		≤ (2.75 x m)		≤ (3.0 x m)		≤ (3.25 x m)		≤ (3.5 x m)	
m (FT)	k (FT)	c-BARS	* REINF. LB./L.F.	c-BARS	* REINF. LB./L.F.	c-BARS	* REINF. LB./L.F.	c-BARS	* REINF. LB./L.F.	c-BARS	* REINF. LB./L.F.	c-BARS	* REINF. LB./L.F.	c-BARS	* REINF. LB./L.F.	c-BARS	* REINF. LB./L.F.	c-BARS	* REINF. LB./L.F.	c-BARS	* REINF. LB./L.F.	c-BARS	* REINF. LB./L.F.
14	4	#4 @ 10"	53.60	#5 @ 10"	57.95	#5 @ 10"	57.10	#5 @ 8"	60.22	#5 @ 7"	62.43	#5 @ 7"	62.09	#5 @ 6"	65.38	#5 @ 6"	65.15	#6 @ 8"	67.10	#6 @ 8"	66.94	#6 @ 7"	70.66
	5	#4 @ 10"	55.86	#5 @ 10"	60.46	#5 @ 10"	59.60	#5 @ 8"	62.89	#5 @ 7"	65.23	#5 @ 7"	64.88	#5 @ 6"	68.34	#5 @ 6"	68.11	#6 @ 8"	70.17	#6 @ 8"	70.00	#6 @ 7"	73.90
	6	#5 @ 10"	64.43	#6 @ 10"	70.60	#6 @ 10"	69.69	#6 @ 8"	74.93	#6 @ 8"	74.45	#6 @ 7"	78.30	#6 @ 6"	83.64	#6 @ 6"	83.40	#6 @ 6"	83.22	#6 @ 6"	83.05	#7 @ 7"	89.64
	7	#5 @ 10"	67.29	#6 @ 10"	73.76	#6 @ 10"	72.83	#6 @ 8"	78.32	#6 @ 8"	77.84	#6 @ 7"	81.87	#6 @ 6"	87.45	#6 @ 6"	87.21	#6 @ 6"	87.02	#6 @ 6"	86.86	#7 @ 7"	93.73
	8	#5 @ 8"	74.71	#6 @ 8"	83.46	#6 @ 7"	87.09	#6 @ 6"	92.54	#7 @ 7"	99.47	#7 @ 7"	99.08	#7 @ 6"	107.11	#7 @ 6"	106.86	#7 @ 6"	106.66	#7 @ 6"	106.49	#7 @ 6"	106.35
13	4	#4 @ 10"	50.51	#4 @ 10"	49.25	#5 @ 10"	53.71	#5 @ 10"	53.09	#5 @ 10"	52.36	#5 @ 9"	53.85	#5 @ 8"	55.54	#5 @ 7"	57.85	#5 @ 7"	57.67	#5 @ 7"	57.51	#6 @ 9"	59.93
	5	#4 @ 10"	52.66	#4 @ 10"	51.37	#5 @ 10"	56.09	#5 @ 10"	55.46	#5 @ 10"	54.99	#5 @ 9"	56.29	#5 @ 8"	58.08	#5 @ 7"	60.51	#5 @ 7"	60.33	#5 @ 7"	60.17	#6 @ 9"	62.72
	6	#4 @ 10"	54.92	#5 @ 10"	59.48	#5 @ 9"	60.31	#6 @ 9"	67.56	#6 @ 9"	67.08	#6 @ 9"	66.70	#6 @ 8"	69.53	#6 @ 8"	69.28	#6 @ 7"	73.12	#6 @ 7"	72.95	#6 @ 7"	72.81
	7	#4 @ 10"	57.36	#5 @ 10"	62.16	#5 @ 9"	63.05	#6 @ 9"	70.66	#6 @ 9"	70.16	#6 @ 9"	69.78	#6 @ 8"	72.75	#6 @ 8"	72.50	#6 @ 7"	76.52	#6 @ 7"	76.35	#6 @ 7"	76.20
	8	#5 @ 10"	66.39	#6 @ 10"	72.82	#6 @ 8"	77.97	#6 @ 7"	81.68	#6 @ 7"	81.19	#6 @ 6"	86.67	#6 @ 6"	86.37	#7 @ 7"	93.18	#7 @ 7"	92.97	#7 @ 7"	92.80	#7 @ 7"	92.64
12	2	#4 @ 10"	43.91	#4 @ 10"	42.65	#4 @ 10"	41.82	#4 @ 10"	41.22	#4 @ 10"	40.78	#4 @ 9"	41.29	#5 @ 10"	44.61	#5 @ 10"	44.37	#5 @ 10"	44.18	#5 @ 10"	44.01	#5 @ 10"	43.87
	3	#4 @ 10"	45.82	#4 @ 10"	44.55	#4 @ 10"	43.71	#4 @ 10"	43.11	#4 @ 10"	42.66	#4 @ 9"	43.22	#5 @ 10"	46.75	#5 @ 10"	46.51	#5 @ 10"	46.32	#5 @ 10"	46.15	#5 @ 10"	46.01
	4	#4 @ 10"	47.80	#4 @ 10"	46.51	#4 @ 10"	45.65	#5 @ 10"	50.06	#5 @ 10"	49.59	#5 @ 10"	49.23	#5 @ 10"	48.94	#5 @ 10"	48.69	#5 @ 9"	50.00	#5 @ 8"	51.72	#5 @ 8"	51.57
	5	#4 @ 10"	49.84	#4 @ 10"	48.53	#4 @ 10"	47.66	#5 @ 10"	52.33	#5 @ 10"	51.85	#5 @ 10"	51.48	#5 @ 10"	51.19	#5 @ 10"	50.94	#5 @ 9"	52.33	#5 @ 8"	54.14	#5 @ 8"	54.00
	6	#4 @ 10"	51.99	#4 @ 10"	50.65	#5 @ 10"	55.34	#5 @ 8"	58.41	#5 @ 8"	57.93	#6 @ 10"	60.60	#6 @ 10"	60.29	#6 @ 9"	62.42	#6 @ 9"	62.22	#6 @ 9"	62.04	#6 @ 8"	64.89
	7	#4 @ 10"	54.30	#5 @ 10"	58.80	#5 @ 10"	57.87	#5 @ 8"	61.10	#5 @ 8"	60.61	#6 @ 10"	63.43	#6 @ 10"	63.11	#6 @ 9"	65.35	#6 @ 9"	65.15	#6 @ 9"	64.97	#6 @ 8"	67.96
	8	#5 @ 10"	62.91	#5 @ 10"	61.45	#5 @ 7"	67.46	#5 @ 6"	70.68	#5 @ 6"	70.20	#6 @ 7"	76.44	#6 @ 7"	76.13	#6 @ 7"	75.87	#6 @ 6"	81.30	#6 @ 6"	81.12	#6 @ 6"	80.98
	9	#5 @ 10"	65.64	#5 @ 10"	64.15	#5 @ 7"	70.44	#5 @ 6"	73.82	#5 @ 6"	73.33	#6 @ 7"	79.86	#6 @ 7"	79.54	#6 @ 7"	79.28	#6 @ 6"	84.95	#6 @ 6"	84.77	#6 @ 6"	84.62
	11	2	#4 @ 10"	41.70	#4 @ 10"	40.42	#4 @ 10"	39.57	#4 @ 10"	38.96	#4 @ 10"	38.50	#4 @ 10"	38.15	#4 @ 10"	37.87	#4 @ 10"	37.63	#4 @ 9"	38.25	#5 @ 10"	41.46	#5 @ 10"
3		#4 @ 10"	43.57	#4 @ 10"	42.27	#4 @ 10"	41.40	#4 @ 10"	40.79	#4 @ 10"	40.33	#4 @ 10"	39.97	#4 @ 10"	39.69	#4 @ 10"	39.45	#4 @ 9"	40.12	#5 @ 10"	43.54	#5 @ 10"	43.39
4		#4 @ 10"	45.48	#4 @ 10"	44.16	#4 @ 10"	43.28	#4 @ 10"	42.66	#4 @ 9"	43.09	#5 @ 10"	46.57	#5 @ 10"	46.27	#5 @ 10"	46.02	#5 @ 10"	45.82	#5 @ 10"	45.65	#5 @ 10"	45.50
5		#4 @ 10"	47.46	#4 @ 10"	46.10	#4 @ 10"	45.21	#4 @ 10"	44.58	#4 @ 9"	45.06	#5 @ 10"	48.74	#5 @ 10"	48.44	#5 @ 10"	48.19	#5 @ 10"	47.99	#5 @ 10"	47.81	#5 @ 10"	47.67
6		#4 @ 10"	49.52	#4 @ 10"	48.14	#4 @ 9"	48.23	#5 @ 10"	51.88	#5 @ 10"	51.38	#5 @ 9"	52.57	#5 @ 9"	52.27	#5 @ 8"	53.99	#5 @ 8"	53.79	#5 @ 7"	56.16	#5 @ 7"	56.01
7		#4 @ 10"	51.73	#4 @ 10"	50.31	#4 @ 9"	50.43	#5 @ 10"	54.29	#5 @ 10"	53.78	#5 @ 9"	55.04	#5 @ 9"	54.73	#5 @ 8"	56.55	#5 @ 8"	56.35	#5 @ 7"	58.84	#5 @ 7"	58.70
8		#4 @ 10"	54.00	#5 @ 10"	58.44	#5 @ 10"	57.45	#5 @ 8"	60.64	#5 @ 7"	62.92	#5 @ 6"	66.25	#5 @ 6"	65.94	#5 @ 6"	65.69	#6 @ 8"	67.76	#6 @ 8"	67.57	#6 @ 7"	71.45
9		#4 @ 10"	56.20	#5 @ 10"	60.87	#5 @ 10"	59.85	#5 @ 8"	63.21	#5 @ 7"	65.60	#5 @ 6"	69.09	#5 @ 6"	68.78	#5 @ 6"	68.52	#6 @ 8"	70.69	#6 @ 8"	70.51	#6 @ 7"	74.57
10		2	#4 @ 10"	39.84	#4 @ 10"	38.53	#4 @ 10"	37.65	#4 @ 10"	37.03	#4 @ 10"	36.57	#4 @ 10"	36.20	#4 @ 10"	35.91	#4 @ 10"	35.67	#4 @ 10"	35.48	#4 @ 9"	36.07	#4 @ 9"
	3	#4 @ 10"	41.68	#4 @ 10"	40.35	#4 @ 10"	39.47	#4 @ 10"	38.84	#4 @ 10"	38.36	#4 @ 10"	38.00	#4 @ 10"	37.71	#4 @ 10"	37.46	#4 @ 10"	37.27	#4 @ 9"	37.91	#4 @ 9"	37.76
	4	#4 @ 10"	43.58	#4 @ 10"	42.22	#4 @ 10"	41.31	#4 @ 10"	40.67	#4 @ 10"	40.19	#4 @ 10"	39.82	#4 @ 10"	39.53	#4 @ 10"	39.28	#4 @ 10"	39.08	#4 @ 9"	39.77	#4 @ 9"	39.63
	5	#4 @ 10"	45.53	#4 @ 10"	44.14	#4 @ 10"	43.21	#4 @ 10"	42.56	#4 @ 10"	42.07	#5 @ 10"	46.44	#5 @ 10"	46.13	#5 @ 10"	45.87	#5 @ 10"	45.67	#5 @ 10"	45.49	#5 @ 10"	45.34
	6	#4 @ 10"	47.58	#4 @ 10"	46.14	#4 @ 10"	45.20	#4 @ 10"	44.53	#4 @ 10"	44.03	#5 @ 10"	48.67	#5 @ 10"	48.35	#5 @ 10"	48.08	#5 @ 10"	47.88	#5 @ 10"	47.69	#5 @ 10"	47.54
	7	#4 @ 10"	49.79	#4 @ 10"	48.31	#4 @ 10"	47.34	#5 @ 10"	51.97	#5 @ 10"	51.45	#5 @ 10"	51.04	#5 @ 9"	52.29	#5 @ 9"	52.03	#5 @ 8"	53.79	#5 @ 8"	53.61	#5 @ 7"	56.00
	8	#4 @ 10"	52.06	#4 @ 10"	50.54	#4 @ 10"	49.54	#5 @ 10"	54.43	#5 @ 10"	53.89	#5 @ 10"	53.47	#5 @ 9"	54.80	#5 @ 9"	54.53	#5 @ 8"	56.39	#5 @ 8"	56.20	#5 @ 7"	58.72
	9	2	#4 @ 10"	38.01	#4 @ 10"	36.75	#4 @ 10"	35.85	#4 @ 10"	35.21	#4 @ 10"	34.73	#4 @ 10"	34.36	#4 @ 10"	34.06	#4 @ 10"	33.81	#4 @ 10"	33.61	#4 @ 10"	33.44	#4 @ 10"
3		#4 @ 10"	39.93	#4 @ 10"	38.56	#4 @ 10"	37.64	#4 @ 10"	36.99	#4 @ 10"	36.51	#4 @ 10"	36.13	#4 @ 10"	35.83	#4 @ 10"	35.58	#4 @ 10"	35.38	#4 @ 10"	35.21	#4 @ 10"	35.06
4		#4 @ 10"	41.81	#4 @ 10"	40.40	#4 @ 10"	39.47	#4 @ 10"	38.81	#4 @ 10"	38.31	#4 @ 10"	37.93	#4 @ 10"	37.63	#4 @ 10"	37.37	#4 @ 10"	37.17	#4 @ 10"	36.99	#4 @ 10"	36.84
5		#4 @ 10"	43.75	#4 @ 10"	42.30	#4 @ 10"	41.35	#4 @ 10"	40.67	#4 @ 10"	40.17	#4 @ 10"	39.78	#4 @ 10"	39.47	#4 @ 10"	39.20	#4 @ 9"	39.86	#5 @ 10"	43.28	#5 @ 10"	43.12
6		#4 @ 10"	45.79	#4 @ 10"	44.30	#4 @ 10"	43.31	#4 @ 10"	42.62	#4 @ 10"	42.10	#4 @ 10"	41.71	#4 @ 10"	41.39	#4 @ 10"	41.12	#4 @ 9"	41.82	#5 @ 10"	45.46	#5 @ 10"	45.30
7		#4 @ 10"	48.04	#4 @ 10"	46.50	#4 @ 10"	45.49	#4 @ 10"	44.77	#5 @ 10"	49.29	#5 @ 10"	48.86	#5 @ 10"	48.53	#5 @ 10"	48.24	#5 @ 10"	48.03	#5 @ 10"	47.84	#5 @ 10"	47.67
8		#4 @ 10"	50.43	#4 @ 10"	48.84	#4 @ 10"	47.80	#4 @ 10"	47.06	#5 @ 10"	51.83	#5 @ 10"	51.40	#5 @ 10"	51.05	#5 @ 10"	50.77	#5 @ 10"	50.54	#5 @ 10"	50.35	#5 @ 10"	50.18
8		2	#4 @ 10"	36.41	#4 @ 10"	35.01	#4 @ 10"	34.08	#4 @ 10"	33.42	#4 @ 10"	32.92	#4 @ 10"	32.54	#4 @ 10"	32.23	#4 @ 10"	31.97	#4 @ 10"	31.77	#4 @ 10"	31.59	#4 @ 10"
	3	#4 @ 10"	38.23	#4 @ 10"	36.80	#4 @ 10"	35.85	#4 @ 10"	35.18	#4 @ 10"	34.67	#4 @ 10"	34.28	#4 @ 10"	33.97	#4 @ 10"	33.70	#4 @ 10"	33.50	#4 @ 10"	33.32	#4 @ 10"	33.17
	4	#4 @ 10"	40.09	#4 @ 10"	38.61	#4 @ 10"	37.64	#4 @ 10"	36.95	#4 @ 10"	36.44	#4 @ 10"	36.04	#4 @ 10"	35.72	#4 @ 10"	35.45	#4 @ 10"	35.25	#4 @ 10"	35.07	#4 @ 10"	34.91
	5	#4 @ 10"	41.99	#4 @ 10"	40.47	#4 @ 10"	39.47	#4 @ 10"	38.76	#4 @ 10"	38.24	#4 @ 10"	37.83	#4 @ 10"	37.50	#4 @ 10"	37.23	#4 @ 10"	37.02	#4 @ 10"	36.84	#4 @ 10"	36.68
	6	#4 @ 10"	43.97	#4 @ 10"	42.40	#4 @ 10"	41.36	#4 @ 10"	40.64	#4 @ 10"	40.10	#4 @ 10"	39.68	#4 @ 10"	39.35	#4 @ 10"	39.07	#4 @ 9"	43.33	#5 @ 10"	43.13	#5 @ 10"	42.96
	7	#4 @ 10"	46.19	#4 @ 10"	44.56	#4 @ 10"	43.49	#4 @ 10"	42.74	#4 @ 10"	42.18	#4 @ 10"	41.75	#4 @ 10"	41.41	#4 @ 10"	41.13	#4 @ 9"	45.65	#5 @ 10"	45.45	#5 @ 10"	45.28
	7	2	#4 @ 10"	34.90	#4 @ 10"	33.44	#4 @ 10"	3															