

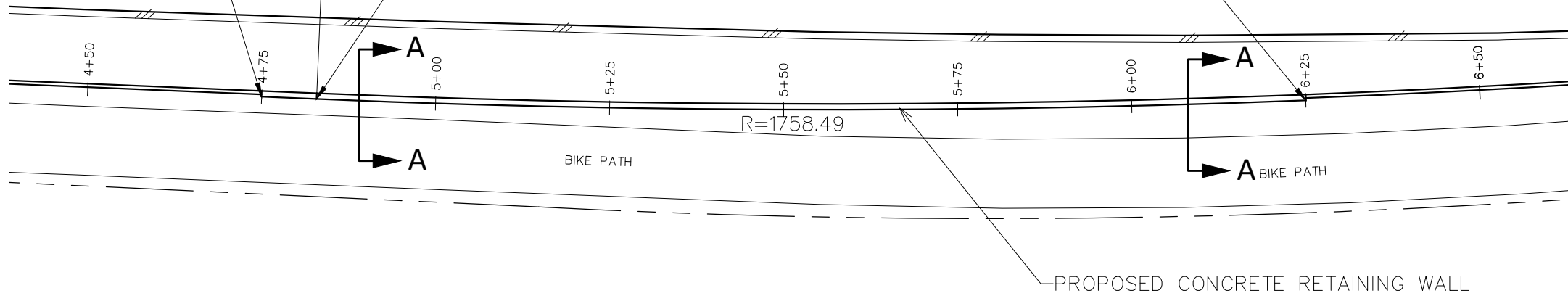
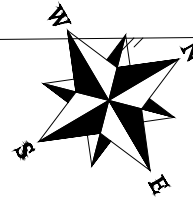
NOTE: STAKING DATA AT WEST FACE OF WALL

BEGIN WALL EAST TOP FACE
STA 4+75.00
N 33172.48
E 84315.00

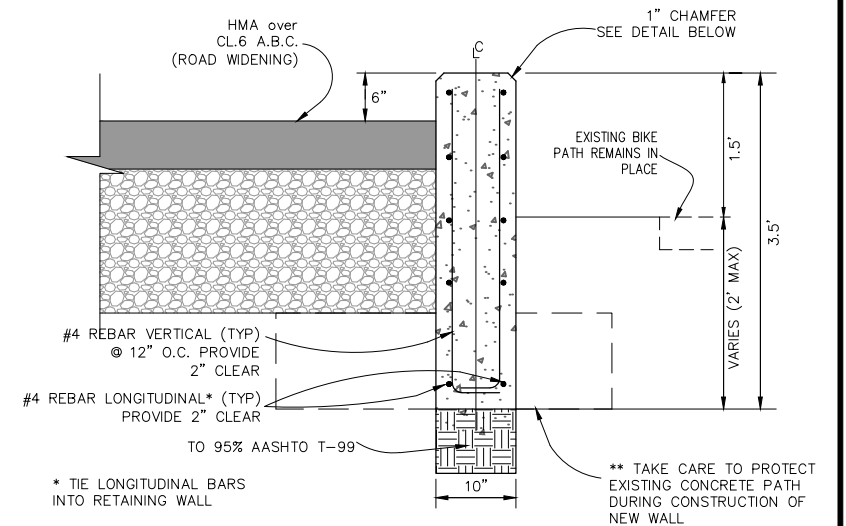
PC STA 4+82.90
N 33179.12
E 84319.28

MONUMENT RD

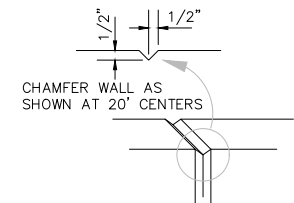
END WALL EAST TOP FACE
STA 6+25.00
N 33301.50
E 84391.43



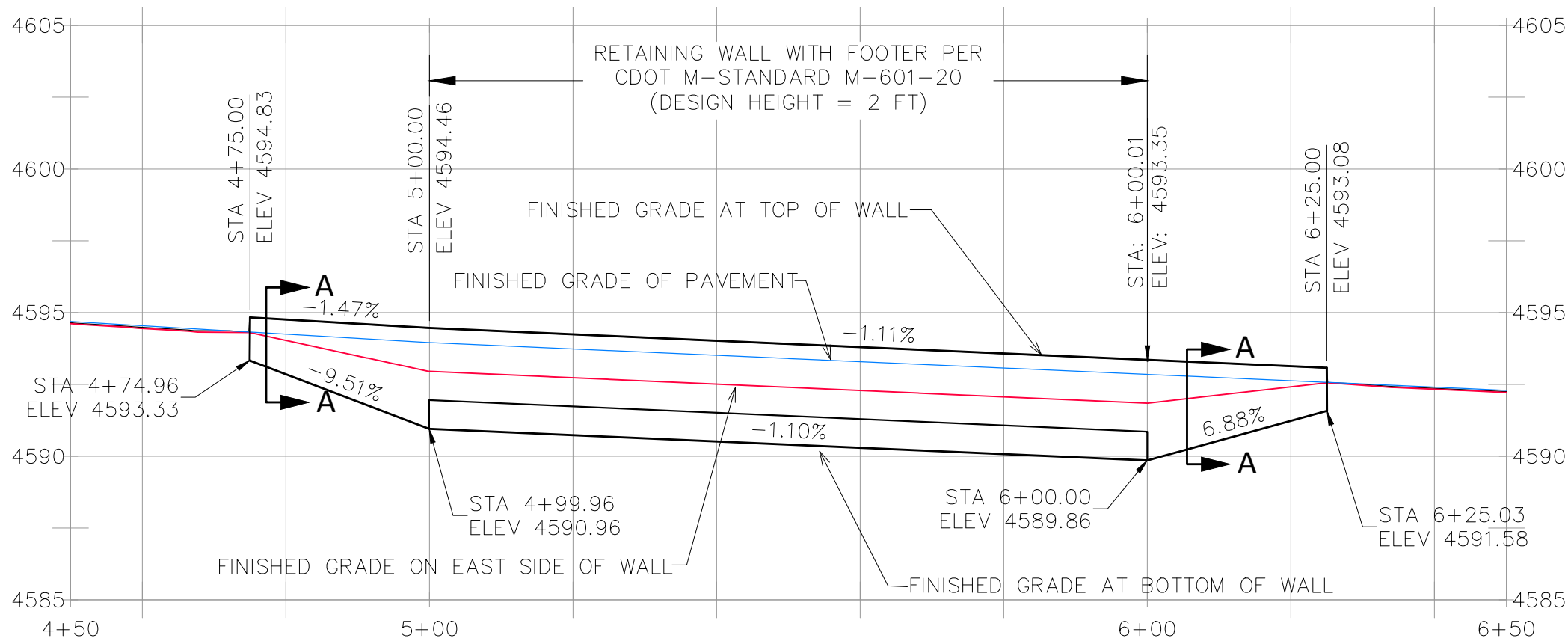
2945-211-01-019
2501 MONUMENT RD
FROG POND LLC



SECTION AA

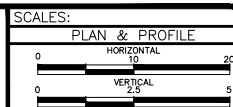


WALL CHAMFER



REVISION	DESCRIPTION	DATE	DRAWN BY	DATE
REV 1			JCS	2021
REV 2			JCS	2021
REV 3			KA	2021
REV 4			KH	2021

DESIGNED BY JCS DATE 2021
CHECKED BY KA DATE 2021
APPROVED BY KH DATE 2021



PUBLIC WORKS
ENGINEERING DIVISION
PROJECT NO. 201-F210204

MONUMENT LEFT TURN LANE AT FROG POND SUB.
WALL PLAN AND PROFILE - 1
September 8, 2021