



INDEX OF SHEETS	
SHEET NO.	SHEET TITLE / DESCRIPTION
1	PROJECT COVER SHEET
2	STANDARD ABBREVIATIONS LEGENDS & SYMBOLS
3	OVERALL PLAN & PLAN SHEET INDEX
4	IRRIGATION LINES - PLAN SHEET
5	IRRIGATION LINES - PLAN SHEET
6	IRRIGATION LINES - PLAN SHEET
7	IRRIGATION LINES - PLAN SHEET
8	IRRIGATION LINES - PLAN SHEET
9	CONSTRUCTION DETAILS
10	CONSTRUCTION DETAILS
11	PRODUCT INFORMATION & DETAILS

UTILITIES & AGENCIES

AGENCY	NAME	POSITION	ROLE	MAILING ADDRESS	STREET ADDRESS	CITY, STATE, ZIP	VOICE-WORK	FAX NO.
CITY OF GRAND JUNCTION	BRENDAN HINES	PROJECT ENGINEER	PROJECT ENGINEER	333 WEST AVE BLDG C	333 WEST AVE BLDG C	GRAND JCT., CO 81501	(970) 256-4038	(970) 256-4022
CITY OF GRAND JUNCTION	KURT CARSON	PROJECT MANAGER	SANITARY SEWER	333 WEST AVE BLDG C	333 WEST AVE BLDG C	GRAND JCT., CO 81501	(970) 244-1543	(970) 256-4022
GRAND VALLEY IRRIGATION CO.	PHIL BERTRAND	MANAGER	IRRIGATION	688 26 RD	688 26 RD	GRAND JCT., CO 81506	(970) 242-2762	
SPECTRUM	JEFF VALDEZ	MANAGER	CABLE TV	2502 FORESIGHT CIRCLE	2502 FORESIGHT CIRCLE	GRAND JCT., CO 81504	(970) 245-8750	(970) 245-6803
CENTURYLINK	CHRIS JOHNSON	ENGINEER	TELEPHONE	2524 BLICHMANN AVE	2524 BLICHMANN AVE	GRAND JCT., CO 81504	(970) 244-4311	(970) 240-4349
UTE WATER	JUSTIN BATES	SUPERVISOR	WATER	PO BOX 460	2190 H 1/4 RD	GRAND JCT., CO 81502	(970) 242-7491	(970) 242-9189
XCEL	TILLMAN McSCHODER	UNIT MANAGER	ELECTRIC	2538 BLICHMANN AVE	2538 BLICHMANN AVE	GRAND JCT., CO 81506	(970) 244-2695	(970) 244-2664
XCEL	BRIAN PADGETT	UNIT MANAGER	GAS	2538 BLICHMANN AVE	2538 BLICHMANN AVE	GRAND JCT., CO 81506	(970) 244-2690	(970) 244-2656

811 NOTE: NOTIFY AFFECTED UTILITY VENDOR 48 HOURS PRIOR TO EXCAVATIONS THAT EXPOSE UTILITY LINES. SEE UTILITIES & AGENCIES FOR CONTACT INFORMATION ON THIS SHEET.



Know what's below.
Call before you dig.

REVISION	DESCRIPTION	DATE	DRAWN BY:	DATE:
REVISION Δ REV 1			NCW	09/2021
REVISION Δ REV 2			NCW	09/2021
REVISION Δ REV 3			BH	09/2021
REVISION Δ REV 4			BH	09/2021

SEE DRAWING SET FOR SCALE INFORMATION.



PUBLIC WORKS
ENGINEERING DIVISION
PROJECT NO. F2101

RIVER PARK AT LAS COLONIAS
RE-VEGETATION & IRRIGATION
PROJECT COVER SHEET

ABBREVIATIONS

AASHTO	AMERICAN ASSOCIATION OF STATE HIGHWAY & TRANSPORTATION OFFICIALS
ABC	AGGREGATE BASE COURSE
AC	ASBESTOS CEMENT
AP	ANGLE POINT
ASB	ANCHORED STRAW BALES
ASP	ALUMINIZED STEEL PIPE
ASTM	AMERICAN SOCIETY FOR TESTING MATERIALS
AWWA	AMERICAN WATER WORKS ASSOCIATION
BOC	BACK OF CURB
BV	BUTTERFLY VALVE
BOW	BACK OF WALK
BCR	BEGIN CURB RETURN
BOT	BOTTOM
BSWMP	BETTER STORM WATER MANAGEMENT PRACTICES
CHD	CHORD
CAP	CORRUGATED ALUMINUM PIPE
CDOT	COLORADO DEPARTMENT OF TRANSPORTATION
CI	CAST IRON
C,G,&SW	CURB, GUTTER & SIDEWALK
CL	CENTER LINE
CL	CLEAR
CMP	CORRUGATED METAL PIPE
CO	CLEAN OUT
COMB	COMBINATION (STORM SEWER & SANITARY SEWER)
CONC	CONCRETE
CSM	CITY SURVEY MONUMENT
CSP	CORRUGATED STEEL PIPE
CU	COPPER
DI	DUCTILE IRON
DWY	DRIVEWAY
E	ELECTRIC
ECR	END CURB RETURN
EG	EDGE OF GUTTER
EL	ELEVATION
EP	EDGE OF PAVEMENT
EX	EXISTING
FB	FULL BODY
FC	FACE OF CURB
FG	FINISHED GRADE
FL	FLOW LINE
FL	FLANGE
FM	FORCE MAIN
FO	FIBER OPTICS
FS	FAR SIDE
FTG	FOOTING
G	GAS
GB	GRADE BREAK
GM	GAS METER
GV	GAS VALVE
HBP	HOT BITUMINOUS PAVEMENT
HDPE	HIGH DENSITY POLYETHYLENE
INV	INVERT
IRR	IRRIGATION
L	LENGTH OF CHORD
LC	LONG CHORD
LF	LINEAL FEET
LL	LONG ARC
LS	SHORT ARC
LT	LEFT
MB	MAILBOX
MCSM	MESA COUNTY SURVEY MONUMENT
MH	MANHOLE
MJ	MECHANICAL JOINT
MW	MILL WRAP
N/A	NOT APPLICABLE
NIC	NOT IN CONTRACT
NOP	NO ONE PERSON
NRCP	NON-REINFORCED CONCRETE PIPE
NS	NEAR SIDE
NTS	NOT TO SCALE
OHP	OVERHEAD POWER
OHT	OVERHEAD TELEPHONE
OC	POINT OF CURVATURE
PCC	POINT OF COMPOUND CURVATURE
PE	POLYETHYLENE
PERF	PERFORATED
PI	POINT OF INTERSECTION
PIP	PLASTIC IRRIGATION PIPE
POC	POINT ON CURVE
POT	POINT OF TANGENT
PR	PROPOSED
PRC	POINT OF REVERSE CURVATURE
PT	POINT OF TANGENCY
PVC	POLYVINYL CHLORIDE
R	RADIUS
RCP	REINFORCED CONCRETE PIPE
REQ'D	REQUIRED
RG	RESTRAINED GLANDS
RL	LONG RADIUS
ROW	RIGHT-OF-WAY
RP	RADIUS POINT
RR	RAILROAD
RS	SHORT RADIUS
RT	RIGHT
S	SLOPE
SAN	SANITARY
SC	SHORT CHORD
SCD	STANDARD CONTRACT DOCUMENTS
SCH	SCHEDULE
SF	SILT FENCE
SL	SECTION LINE
SSRB	STANDARD SPECIFICATIONS FOR ROAD & BRIDGE CONSTRUCTION
SSUU	STANDARD SPECIFICATIONS FOR UNDERGROUND UTILITIES
STA	STATION
STL	STEEL
STM	STORM
T	TELEPHONE
TAN	LENGTH OF TANGENT
TC	TOP OF CURB
TH	TEST HOLE
TV	TELEVISION
(TYP)	TYPICAL
UU	UNDERGROUND UTILITIES
VC	VERTICAL CURVE
VCP	VITRIFIED CLAY PIPE
VPC	VERTICAL POINT OF CURVATURE
VPCC	VERTICAL POINT OF COMPOUND CURVATURE
VPRC	VERTICAL POINT OF REVERSE CURVATURE
VPI	VERTICAL POINT OF INTERSECTION
VPT	VERTICAL POINT OF TANGENCY
W	WATER
Δ	DELTA ANGLE

LEGEND

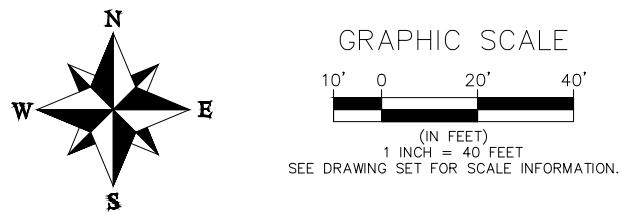
BSWMP DRAINAGE BASIN BOUNDARY	
BSWMP ANCHORED STRAW BALES	
BSWMP SILT FENCE	
BUILDING	
CONCRETE CURB AND GUTTER	
CONCRETE CURB, GUTTER, & SIDEWALK	
CONCRETE DITCH	
CONCRETE SIDEWALK	
CULVERT	
EARTH DITCH	
EDGE OF GRAVEL	
EDGE OF PAVEMENT	
FENCE (HT & MATL NOTED)	
GUARD RAIL	
HATCHING: INDICATES ASPHALT REMOVAL	
HATCHING: INDICATES CONCRETE REMOVAL	
HATCHING: INDICATES STAGING AREA	
LINE (CENTER OF IMPROVEMENTS)	
LINE (CITY LIMITS)	
LINE (CONTROL)	
LINE (EASEMENT)	
LINE (MONUMENT/SECTION)	
LINE (PROPERTY)	
LINE (RIGHT OF WAY)	
MATCH LINE	
PIPE (IRRIGATION PVC)	
PIPE (SIPHON)	
PROPOSED CONCRETE CURB AND GUTTER	
PROPOSED CONCRETE CURB, GUTTER, & SIDEWALK	
PROPOSED CONCRETE SIDEWALK	
PROPOSED "WET" UTILITIES (CONSTRUCTION NOTE WILL INDICATE TYPE, SIZE, AND MATERIAL OF NEW MAIN)	

ALL PROPOSED FEATURES NOT SHOWN IN LEGEND WILL BE SHOWN THE SAME AS THEIR EXISTING COUNTERPART, BUT INDICATED BY BOLDER LINETYPE

RAIL ROAD	
RETAINING WALL	
STRIPING (CONTINUOUS WHITE)	
STRIPING (DASHED WHITE)	
STRIPING (CONTINUOUS YELLOW)	
STRIPING (DASHED YELLOW)	
TOP OF SLOPE	
CONTOUR LINES (SHOWN BETWEEN TOP & TOE)	
TOE OF SLOPE	
TRAFFIC DETECTOR LOOP	
UTILITY LINE (ABANDON) (EXAMPLE: WATER LINE)	
UTILITY LINE (CABLE TV)	
UTILITY LINE (ELECTRIC)	
UTILITY LINE (FIBER OPTIC)	
UTILITY LINE (GAS)	
UTILITY LINE (HIGH VOLTAGE OVERHEAD POWER)	
UTILITY LINE (OVERHEAD POWER)	
UTILITY LINE (OVERHEAD TELEPHONE)	
UTILITY LINE (SANITARY SEWER)	
UTILITY LINE (SANITARY SEWER FORCE MAIN)	
UTILITY LINE (SANITARY SEWER SERVICE)	
UTILITY LINE (STORM SEWER)	
UTILITY LINE (STORM SEWER - PERFORATED)	
UTILITY LINE (STORM/SANITARY SEWER COMBINATION)	
UTILITY LINE (TELEPHONE)	
UTILITY LINE (WATER)	

SYMBOLS

BENCH MARK	
CATCH BASIN	
CLEAN OUT	
CURB STOP	
FIRE HYDRANT	
GUY WIRE ANCHOR	
HEADGATE	
IRRIGATION PUMP	
MAILBOX	
MANHOLE (ELECTRIC)	
MANHOLE (GAS)	
MANHOLE (SANITARY/STORM)	
MANHOLE (TELEPHONE)	
MANHOLE (TV)	
MANHOLE (WATER)	
METER (GAS)	
METER (WATER)	
PEDESTAL (TELEPHONE)	
PEDESTAL (TV)	
PROPERTY PIN	
PULL BOX	
REDUCER FITTING	
SIGN OR POST (SIGN TYPE NOTED)	
SPRINKLER HEAD	
STREET LIGHT	
SURVEY MONUMENT (CITY)	
SURVEY MONUMENT (TYPE NOTED)	
TEST HOLE	
TRAFFIC PAINT MARKING	
TRAFFIC SIGNAL POLE AND MAST ARM	
UTILITY POLE	
VALVE (GAS)	
VALVE (IRRIGATION)	
VALVE (WATER)	
VEGETATION (HEDGE OR BUSH)	
VEGETATION (TREE STUMP)	
VEGETATION (TREE) (DIA. SIZE)	
WATER HYDRANT	
WEIR	
YARD LIGHT	
M.J. BEND (DEGREE)	
M.J. TEE	
QUICK COUPLING VALVE	
NEW IRRIGATION VALVE	
SPRINKLER HEAD RANGE (35' DIA.)	



REVISION	DESCRIPTION	DATE	DRAWN BY:	DATE:
REVISION Δ REV 1			NCW	09/2021
REVISION Δ REV 2			NCW	09/2021
REVISION Δ REV 3			BH	09/2021
REVISION Δ REV 4			BH	09/2021

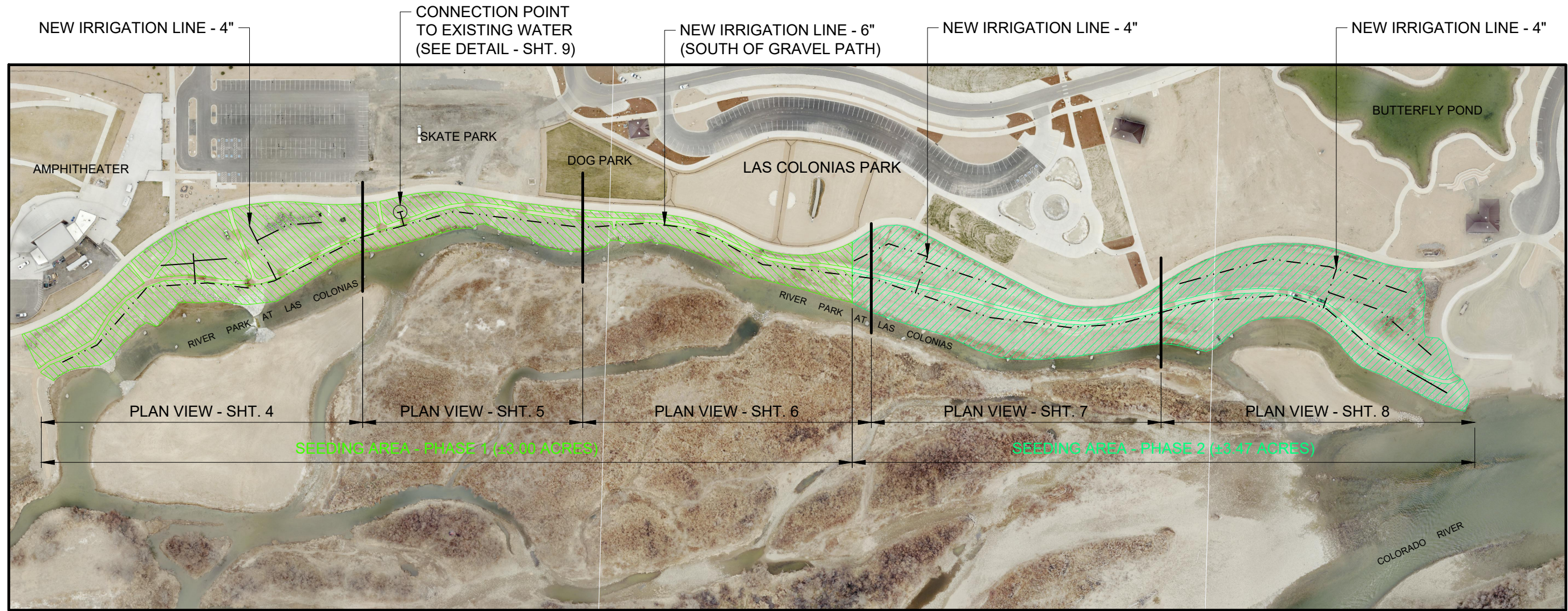
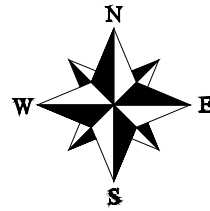
SEE DRAWING SET FOR SCALE INFORMATION.



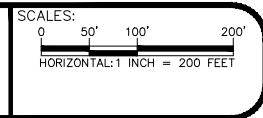
PUBLIC WORKS ENGINEERING DIVISION
PROJECT NO. F2101

RIVER PARK AT LAS COLONIAS
RE-VEGETATION & IRRIGATION
STANDARD ABBREVIATIONS LEGENDS & SYMBOLS

N:\caddproj\F2101_Las Colonias River Front Park Re-Vegetation & Irrigation\60CAD\DESIGN\STANDARD ABBREVIATIONS LEGENDS & SYMBOLS F2101.dwg - PLOTTED 9/30/2021 3:36:32 PM



REVISION	DESCRIPTION	DATE	DRAWN BY:	DATE:
△ REV 1			NCW	09/2021
△ REV 2			NCW	09/2021
△ REV 3			BH	09/2021
△ REV 4			BH	09/2021



**PUBLIC WORKS
ENGINEERING DIVISION**
PROJECT NO. F2101

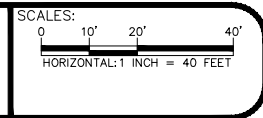
**RIVER PARK AT LAS COLONIAS
RE-VEGETATION & IRRIGATION
OVERALL PLAN & SHEET INDEX**



NOTE LEGEND - SHEET 4

- | | |
|---|---|
| ① 65 L.F. - 6" PVC IRRIGATION LINE (BEGIN - 22½° BEND) | ⑧ 60 L.F. - 4" PVC IRRIGATION LINE (4"x4"x4" TEE - END) |
| ② 140 L.F. - 6" PVC IRRIGATION LINE (22½° BEND - 45° BEND) | ⑨ 60 L.F. - 4" PVC IRRIGATION LINE (4"x4"x4" TEE - END) |
| ③ 110 L.F. - 6" PVC IRRIGATION LINE (45° BEND - 11¼° BEND) | ⑩ 110 L.F. - 4" PVC IRRIGATION LINE (6"x6"x4" TEE, 4" ISOLATION VALVE - END) |
| ④ 75 L.F. - 6" PVC IRRIGATION LINE (11¼° BEND - 22½° BEND) | ⑪ 65 L.F. - 4" PVC IRRIGATION LINE (4"x4"x4" TEE - 22½° BEND) |
| ⑤ 50 L.F. - 6" PVC IRRIGATION LINE (22½° BEND - 11¼° BEND) | ⑫ 60 L.F. - 4" PVC IRRIGATION LINE (22½° BEND - END) |
| ⑥ 180 L.F. - 6" PVC IRRIGATION LINE (11¼° BEND - 11¼° BEND (MATCH LINE)) | ⑬ CONTRACTOR SHALL VERIFY TOP OF PIPE ELEVATION OF EX. 12" PVC WATER LINE. PROVIDE A MINIMUM OF 12" CLEARANCE BETWEEN NEW 6" IRRIGATION LINE. |
| ⑦ 55 L.F. - 4" PVC IRRIGATION LINE (6"x6"x4" TEE, 4" ISOLATION VALVE - END) | |

REVISION	DESCRIPTION	DATE	DRAWN BY:	DATE:
REVISION Δ REV 1			NCW	09/2021
REVISION Δ REV 2			NCW	09/2021
REVISION Δ REV 3			BH	09/2021
REVISION Δ REV 4			BH	09/2021



**PUBLIC WORKS
ENGINEERING DIVISION**
PROJECT NO. F2101

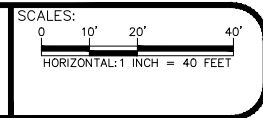
**RIVER PARK AT LAS COLONIAS
RE-VEGETATION & IRRIGATION
IRRIGATION LINES - PLAN VIEW**

N:\Landscape\F2101 Las Colonias River Front Park Re-Vegetation & Irrigation\B0CAD\DESIGN\IRRIGATION PLAN SHEETS\F2101.dwg - PLOTTED 2021-09-30



- NOTE LEGEND - SHEET 5**
- ① 175 L.F. - 6" PVC IRRIGATION LINE
(MATCH LINE) 11¼° BEND - 22½° BEND
 - ② 235 L.F. - 6" PVC IRRIGATION LINE
(22½° BEND - 11¼° BEND (MATCH LINE))
 - ③ 25 L.F. - 6" PVC IRRIGATION LINE
(6"x6"x6" TEE, 6" ISOLATION VALVE - TIE TO EXISTING)
 - ④ CONNECTION TO EXISTING 12" IRRIGATION LINE
(SEE DETAIL - SHEET 11)

REVISION	DESCRIPTION	DATE	DRAWN BY:	DATE:
REVISION Δ REV 1			NCW	09/2021
REVISION Δ REV 2			NCW	09/2021
REVISION Δ REV 3			BH	09/2021
REVISION Δ REV 4			BH	09/2021



**PUBLIC WORKS
ENGINEERING DIVISION**
PROJECT NO. F2101

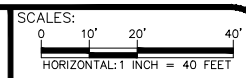
**RIVER PARK AT LAS COLONIAS
RE-VEGETATION & IRRIGATION
IRRIGATION LINES - PLAN VIEW**



NOTE LEGEND - SHEET 6

- ① 120 L.F. - 6" PVC IRRIGATION LINE
(MATCH LINE) 11¼° BEND - 11¼° BEND
- ② 60 L.F. - 6" PVC IRRIGATION LINE
(11¼° BEND - 11¼° BEND)
- ③ 75 L.F. - 6" PVC IRRIGATION LINE
(11¼° BEND - 11¼° BEND)
- ④ 90 L.F. - 6" PVC IRRIGATION LINE
(11¼° BEND - 22½° BEND (MATCH LINE))
- ⑤ 90 L.F. - 6" PVC IRRIGATION LINE
(11¼° BEND - 22½° BEND (MATCH LINE))
- ⑥ CONTRACTOR SHALL VERIFY TOP OF PIPE
ELEVATION OF EX. 24" HDPE STORM LNE.
PROVIDE A MINIMUM OF 12" CLEARANCE
BETWEEN NEW 6" IRRIGATION LINE.

REVISION	DESCRIPTION	DATE	DRAWN BY:	DATE:
REV 1			NCW	09/2021
REV 2			NCW	09/2021
REV 3			BH	09/2021
REV 4			BH	09/2021



**PUBLIC WORKS
ENGINEERING DIVISION**
PROJECT NO. F2101

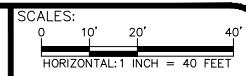
**RIVER PARK AT LAS COLONIAS
RE-VEGETATION & IRRIGATION
IRRIGATION LINES - PLAN VIEW**



NOTE LEGEND - SHEET 7

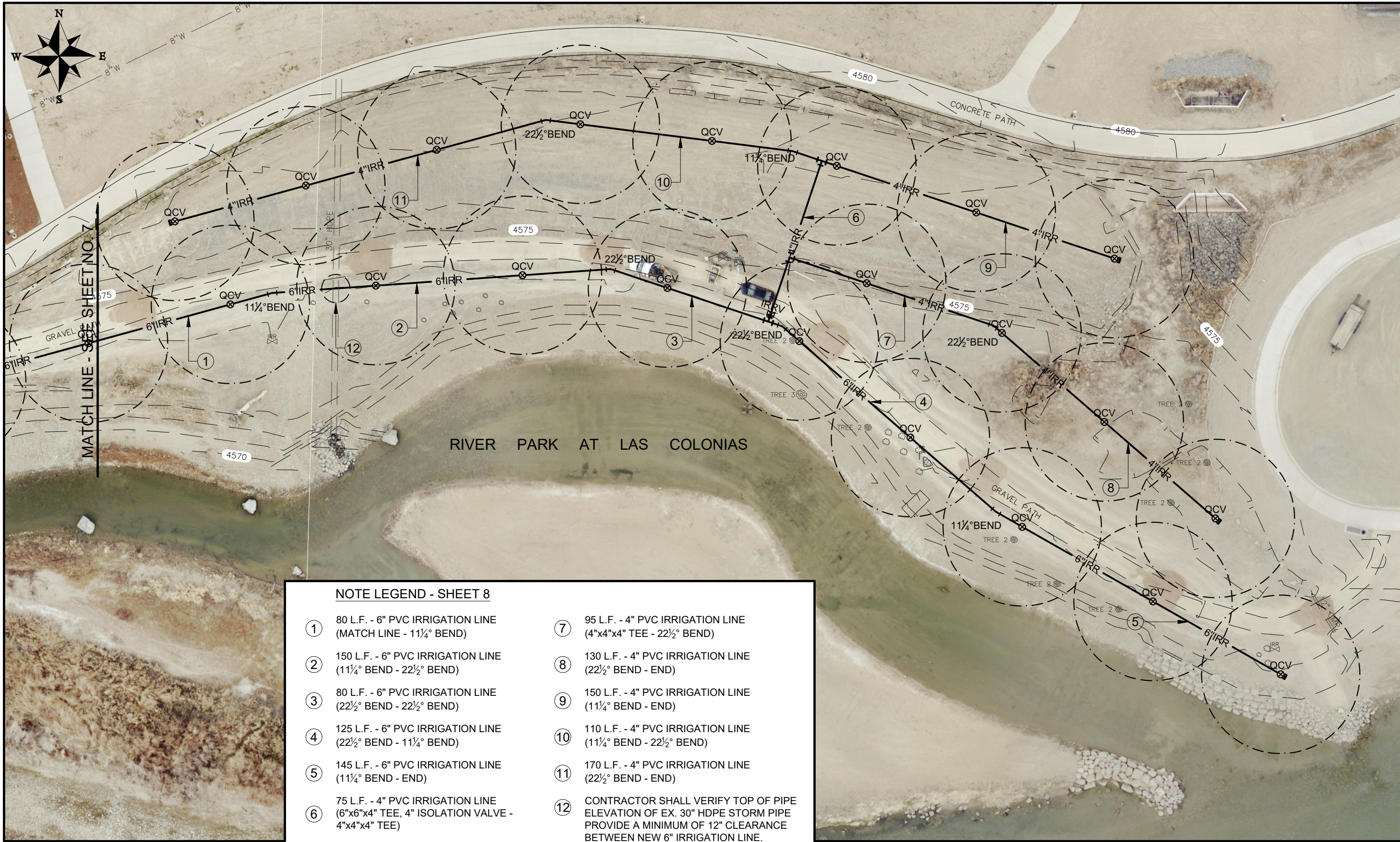
- ① 225 L.F. - 6" PVC IRRIGATION LINE
(MATCH LINE) 11¼° BEND - 11¼° BEND)
- ② 150 L.F. - 6" PVC IRRIGATION LINE
(11¼° BEND - 11¼° BEND)
- ③ 80 L.F. - 6" PVC IRRIGATION LINE
(11¼° BEND - (MATCH LINE))
- ④ 70 L.F. - 4" PVC IRRIGATION LINE
(6"x6"x4" TEE, 4" ISOLATION VALVE - 90° BEND)
- ⑤ 155 L.F. - 4" PVC IRRIGATION LINE
(4"x4"x4" TEE - END)
- ⑥ 75 L.F. - 4" PVC IRRIGATION LINE
(90° BEND - 45° BEND)
- ⑦ 70 L.F. - 4" PVC IRRIGATION LINE
(45° BEND - END)

REVISION	REV	DESCRIPTION	DATE	DRAWN BY:	NCW	DATE:	09/2021
REVISION	Δ	REV 1	DATE	DESIGNED BY:	NCW	DATE:	09/2021
REVISION	Δ	REV 2	DATE	CHECKED BY:	BH	DATE:	09/2021
REVISION	Δ	REV 3	DATE	APPROVED BY:	BH	DATE:	09/2021
REVISION	Δ	REV 4	DATE				



**PUBLIC WORKS
ENGINEERING DIVISION**
PROJECT NO. F2101

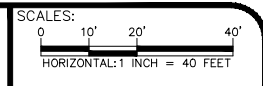
**RIVER PARK AT LAS COLONIAS
RE-VEGETATION & IRRIGATION
IRRIGATION LINES - PLAN VIEW**



NOTE LEGEND - SHEET 8

- | | |
|---|---|
| <p>① 80 L.F. - 6" PVC IRRIGATION LINE (MATCH LINE - 11¼° BEND)</p> <p>② 150 L.F. - 6" PVC IRRIGATION LINE (11¼° BEND - 22½° BEND)</p> <p>③ 80 L.F. - 6" PVC IRRIGATION LINE (22½° BEND - 22½° BEND)</p> <p>④ 125 L.F. - 6" PVC IRRIGATION LINE (22½° BEND - 11¼° BEND)</p> <p>⑤ 145 L.F. - 6" PVC IRRIGATION LINE (11¼° BEND - END)</p> <p>⑥ 75 L.F. - 4" PVC IRRIGATION LINE (6"x6"x4" TEE, 4" ISOLATION VALVE - 4"x4"x4" TEE)</p> | <p>⑦ 95 L.F. - 4" PVC IRRIGATION LINE (4"x4"x4" TEE - 22½° BEND)</p> <p>⑧ 130 L.F. - 4" PVC IRRIGATION LINE (22½° BEND - END)</p> <p>⑨ 150 L.F. - 4" PVC IRRIGATION LINE (11¼° BEND - END)</p> <p>⑩ 110 L.F. - 4" PVC IRRIGATION LINE (11¼° BEND - 22½° BEND)</p> <p>⑪ 170 L.F. - 4" PVC IRRIGATION LINE (22½° BEND - END)</p> <p>⑫ CONTRACTOR SHALL VERIFY TOP OF PIPE ELEVATION OF EX. 30" HDPE STORM PIPE PROVIDE A MINIMUM OF 12" CLEARANCE BETWEEN NEW 6" IRRIGATION LINE.</p> |
|---|---|

REVISION	DESCRIPTION	DATE	DRAWN BY:	DATE:
REV 1			NCW	09/2021
REV 2			NCW	09/2021
REV 3			BH	09/2021
REV 4			BH	09/2021



**PUBLIC WORKS
ENGINEERING DIVISION**
PROJECT NO. F2101

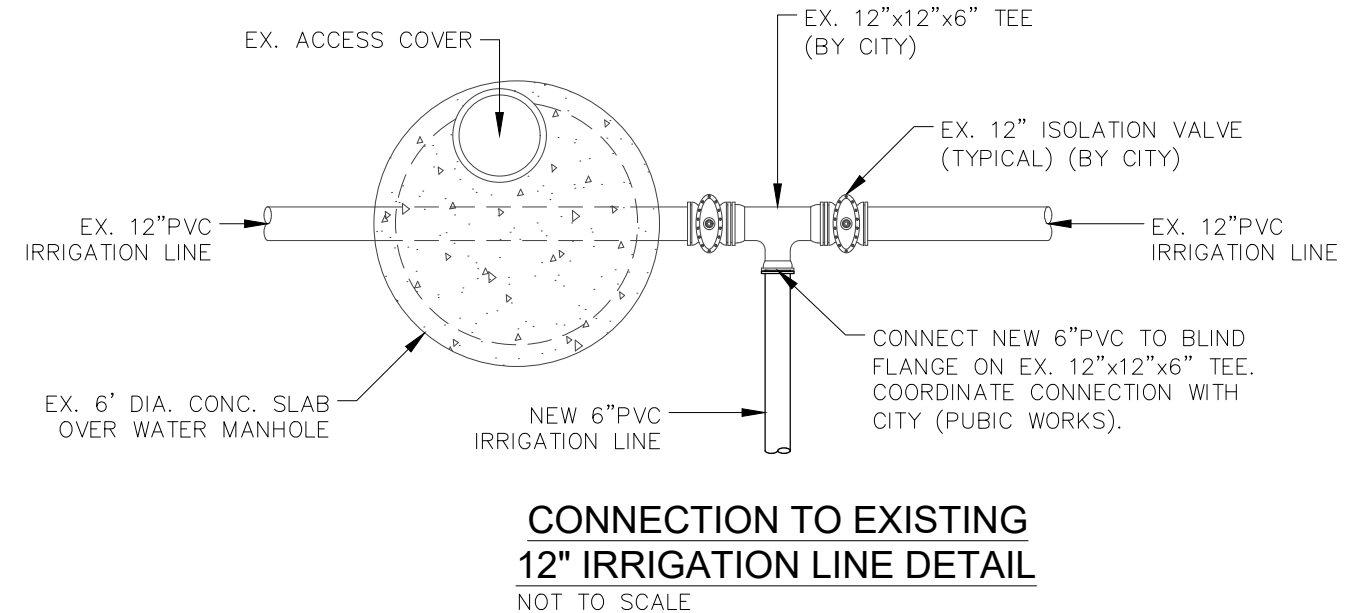
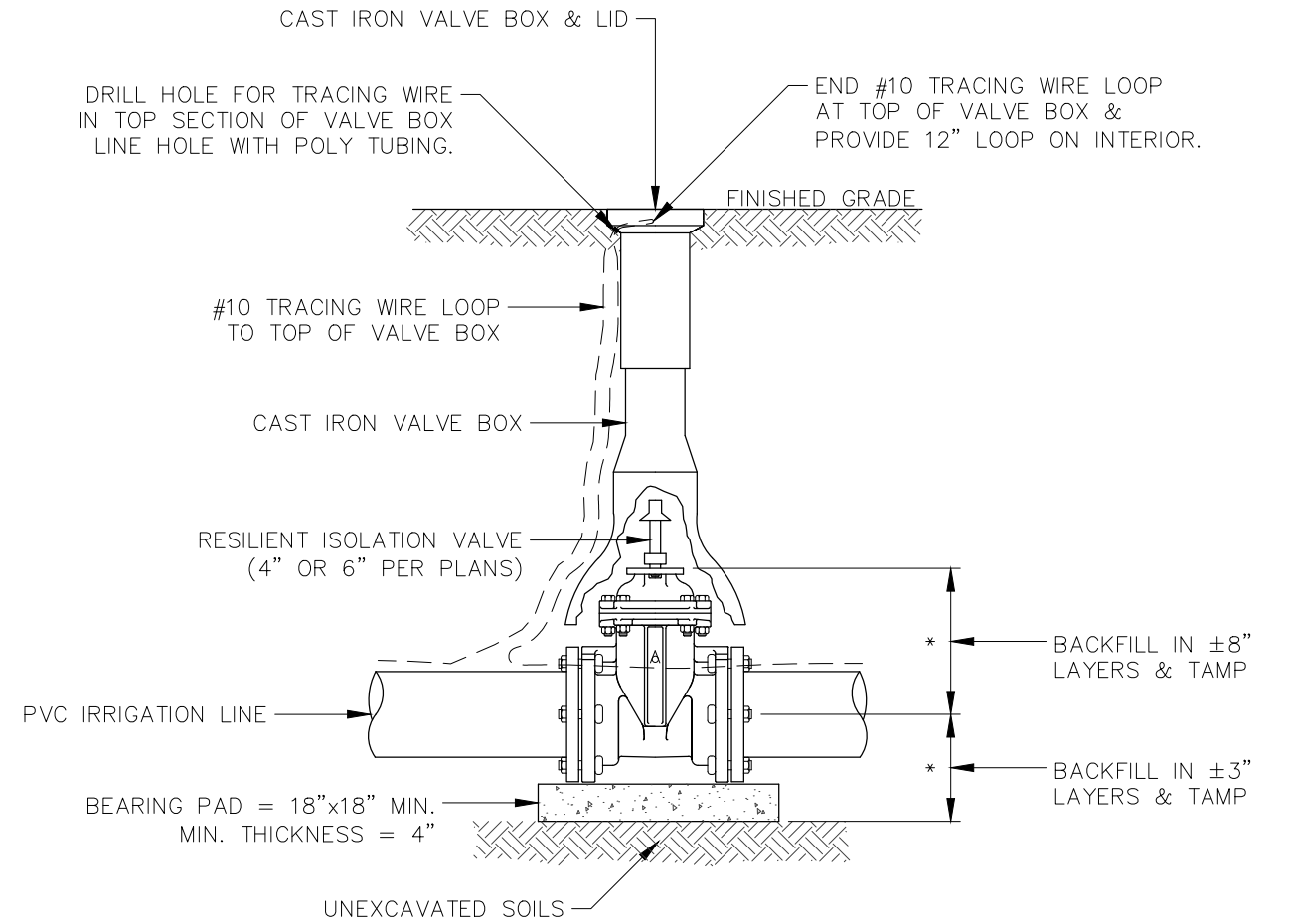
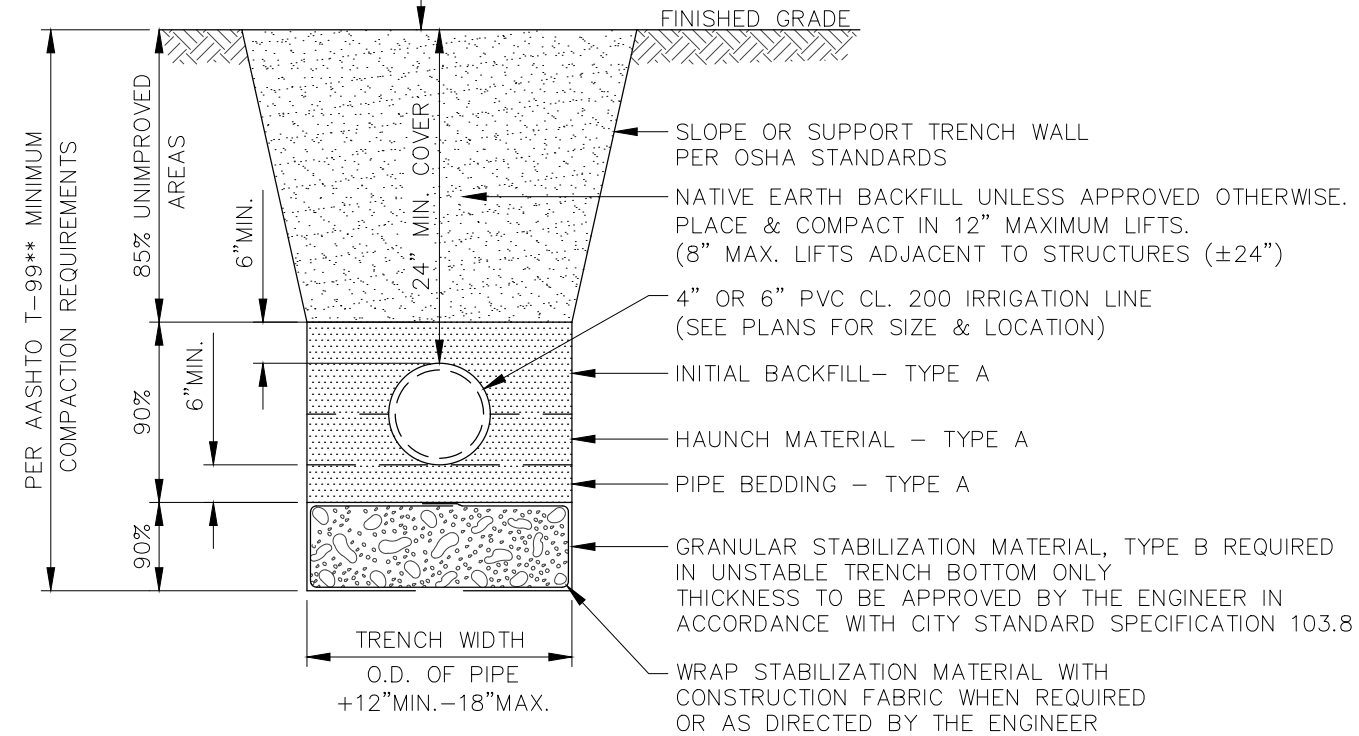
**RIVER PARK AT LAS COLONIAS
RE-VEGETATION & IRRIGATION
IRRIGATION LINES - PLAN VIEW**

N:\Landpoly\F2101 Las Colonias River Front Park Re-Vegetation & Irrigation\B0CAD\DESIGN\IRRIGATION PLAN SHEETS\F2101.dwg - PLOTTED 2021-09-30

BACKFILL NOTE:
ALL BACKFILL MATERIAL SHALL BE UNIFORMLY ADJUSTED TO WITHIN 2% OF THE OPTIMUM MOISTURE CONTENT PRIOR TO PLACEMENT & COMPACTION.

SIEVE SIZE	MAXIMUM PERCENT BY WEIGHT PASSING SQUARE MESH SIEVES		
	PIPE BEDDING, HAUNCH & INITIAL BACKFILL MATERIAL (CRUSHED ROCK-TYPE A)	GRANULAR STABILIZATION MATERIAL (SCREENED OR CRUSHED ROCK, TYPE B)	IMPORTED BACKFILL MATERIAL (USE ONLY WHERE SPECIFIED OR DIRECTED BY THE ENGINEER)
12 INCH	---	---	100
2 INCH	---	100	---
1 INCH	100	---	---
NO 4	---	15 MAX	---
NO 200	20 MAX	---	3% - 20%

RESTORE DISTURBED SURFACES TO EXISTING CONDITION & GRADE

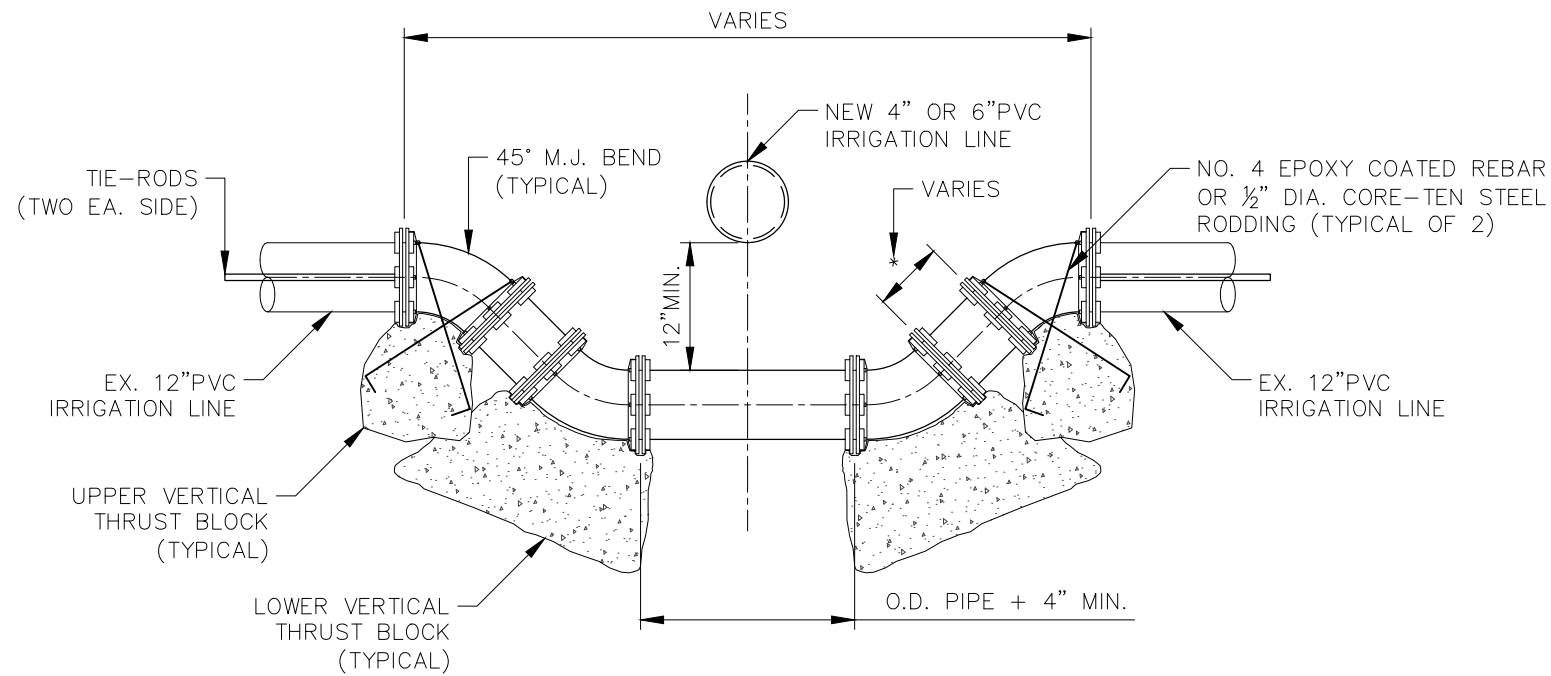


REVISION	DESCRIPTION	DATE	DRAWN BY:	DATE:
REVISION Δ REV 1			NCW	09/2021
REVISION Δ REV 2			NCW	09/2021
REVISION Δ REV 3			BH	09/2021
REVISION Δ REV 4			BH	09/2021



PUBLIC WORKS ENGINEERING DIVISION
PROJECT NO. F2101

RIVER PARK AT LAS COLONIAS RE-VEGETATION & IRRIGATION CONSTRUCTION DETAILS

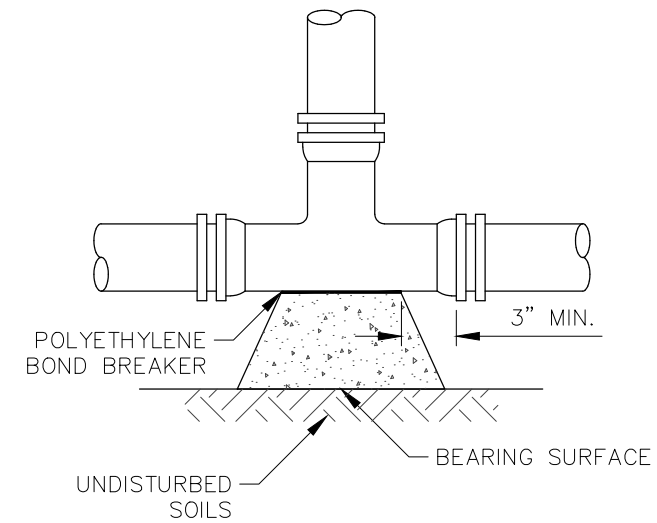


GENERAL NOTES:

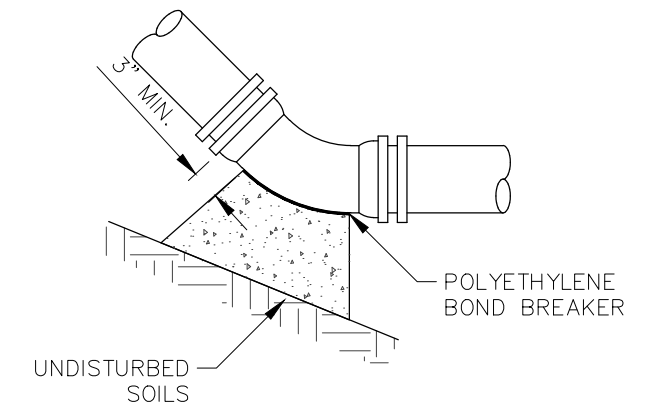
1. SIZING OF VERTICAL THRUST BLOCKS BY DESIGN ENGINEER.
2. RESTRAINING PIPE SHALL BE 3/4" TIE RODS WITH NUTS & WASHERS. TIE-RODS SHALL BE MADE OF "COR-TEN" STEEL PER ASTM A242. TWO (2) TIE-RODS WILL BE REQUIRED FOR PIPES 12" & SMALLER.
3. ALL METALLIC PIPE, FITTINGS & RELATED APPURTENANCES SHALL BE WRAPPED IN 8MIL POLYETHYLENE.
4. REQUIREMENTS FOR PIPE LARGER THAN 12" DIAMETER SHALL BE DETERMINED BY THE DESIGN ENGINEER.

WATER LINE CROSSING ADJUSTMENT

NOT TO SCALE

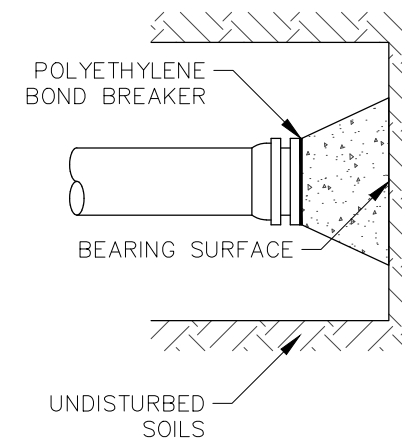


TEE

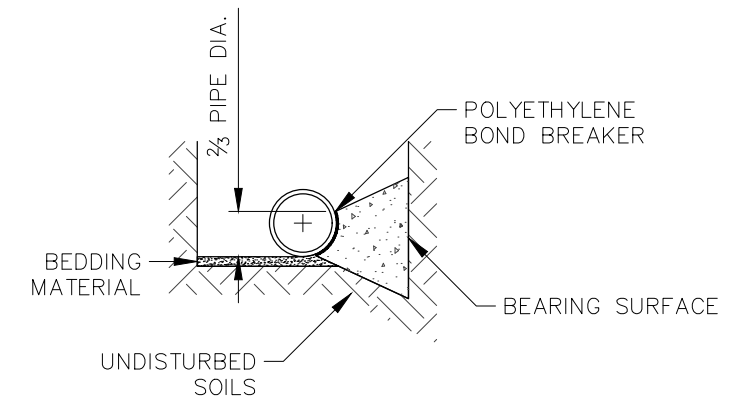


TYPICAL BENDS

11 1/4° - 22 1/2° - 45° - 90°



DEAD END



TYPICAL CROSS-SECTION

GENERAL NOTES:

1. PIPE INSTALLED UNDER CONDITIONS DIFFERENT FROM THOSE NORMALLY ENCOUNTERED SHALL REQUIRE THRUST BLOCKS DESIGNED FOR THE CURRENT CONDITIONS.
2. THRUST BLOCKS ON PIPES LARGER THAN 12" IN DIAMETER SHALL BE DESIGNED FOR EXISTING CONDITIONS AT THE TIME OF INSTALLATION.
3. ALL THRUST BLOCKS SHALL BE A MINIMUM OF 3,000 PSI CONCRETE. PLACE 8 MIL POLYETHYLENE BOND BREAKER BETWEEN ALL FITTINGS & THRUST BLOCKS.
4. MECHANICAL RESTRAINTS ARE TO BE INSTALLED IN ACCORDANCE WITH THE CITY STANDARDS FOR CONSTRUCTION OF UNDERGROUND UTILITIES - SECTION 104.3d.

TYPICAL THRUST BLOCK APPLICATIONS

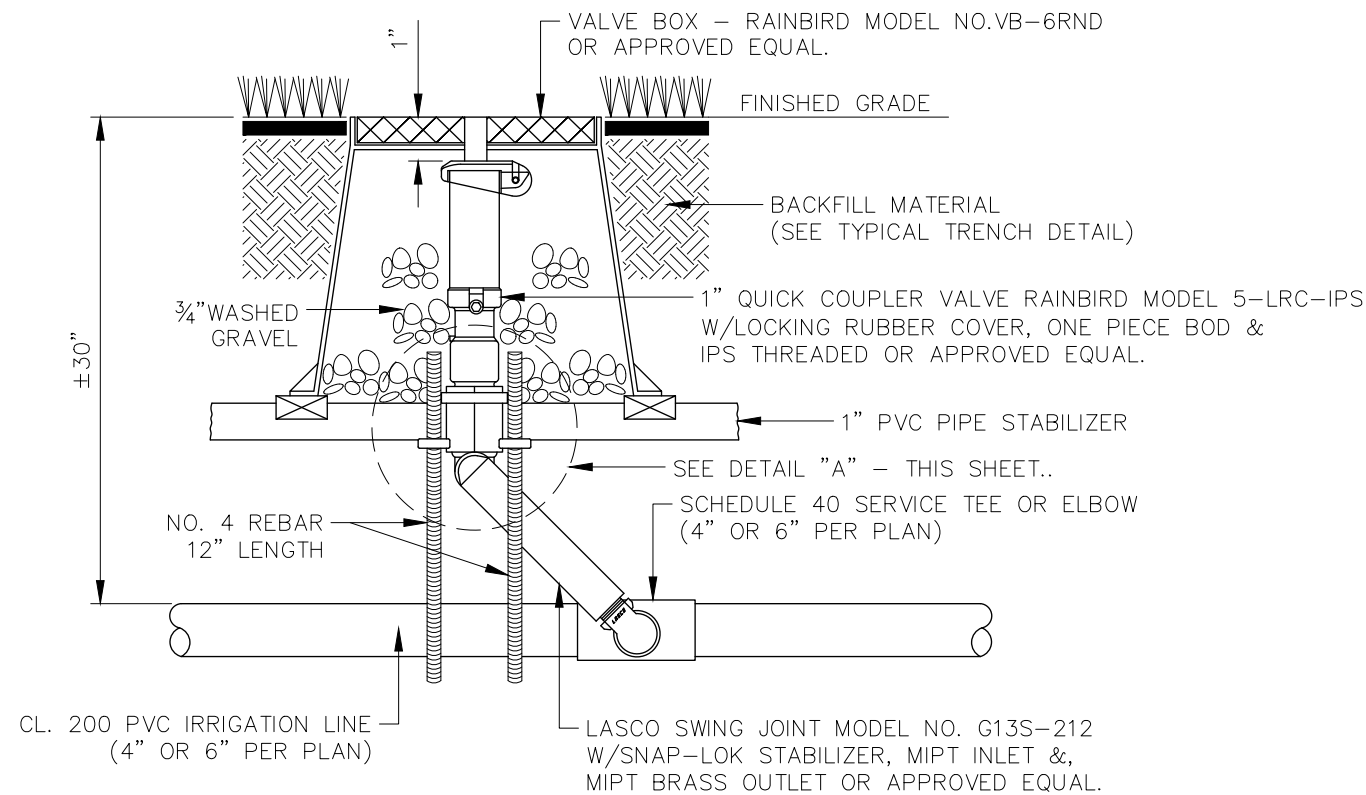
NOT TO SCALE

REVISION	DESCRIPTION	DATE	DRAWN BY:	DATE:
REVISION Δ REV 1			NCW	09/2021
REVISION Δ REV 2			NCW	09/2021
REVISION Δ REV 3			BH	09/2021
REVISION Δ REV 4			BH	09/2021



**PUBLIC WORKS
ENGINEERING DIVISION**
PROJECT NO. F2101

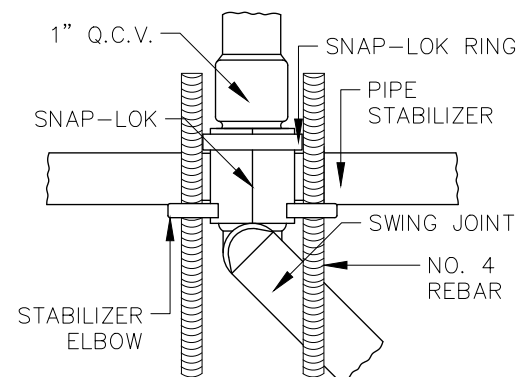
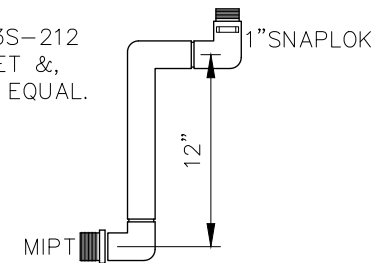
**RIVER PARK AT LAS COLONIAS
RE-VEGETATION & IRRIGATION
CONSTRUCTION DETAILS**



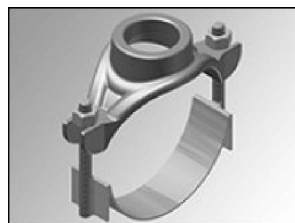
SWING JOINT CONNECTION AT QUICK-COUPLING VALVE
NOT TO SCALE

SWING JOINT SPECIFICATIONS:

- LASCO SWING JOINT MODEL NO. G13S-212 W/SNAP-LOK STABILIZER, MIPT INLET &, MIPT BRASS OUTLET OR APPROVED EQUAL.
- * 1" DIA. RIGID PVC TYPE 1
- + 12" LAY LENGTH
- * 1" INLET & OUTLET
- * 315 P.S.I. RATING OR APPROVED EQUAL.



DETAIL "A"
NOT TO SCALE



DUCTILE IRON PIPE SADDLE
NOT TO SCALE

PIPE FITTING SPECIFICATIONS:

- HARCO IPS SADDLES (DUCTILE IRON)
- PART NO. 804804 (4"x2")
- PART NO. 806804 (6"x2")
- * 2" FEMALE NPT THREADS
- MATERIAL SPECIFICATIONS:
- * CASTING - DUCTILE IRON (ASTM A536)
- * GASKETS - VIRGIN SBR (ASTM F477)
- * STRAP (2" WIDTH) - STAINLESS STEEL (ASTM A240)
- * BOLTS, NUTS & WASHERS - STAINLESS STEEL (ASTM A420) OR APPROVED EQUAL.



QUICK-COUPLING VALVE
NOT TO SCALE

QUICK-COUPLING VALVE SPECIFICATIONS:

- RAINBIRD MODEL NO. 5-LRC-IPS - 5 1/2" HEIGHT
- * PRESSURE RATING = 5 TO 125 PSI
- * FLOW RATE = 10 TO 125 GPM
- * 1" IPS LOCKING RUBBER COVER
- * ONE PIECE BODY
- * IPS THREADED OR APPROVED EQUAL.

REVISION	DESCRIPTION	DATE	DRAWN BY:	DATE:
REVISION Δ REV 1			NCW	09/2021
REVISION Δ REV 2			NCW	09/2021
REVISION Δ REV 3			BH	09/2021
REVISION Δ REV 4			BH	09/2021



**PUBLIC WORKS
ENGINEERING DIVISION**
PROJECT NO. F2101

**RIVER PARK AT LAS COLONIAS
RE-VEGETATION & IRRIGATION
PRODUCT INFORMATION & DETAILS**