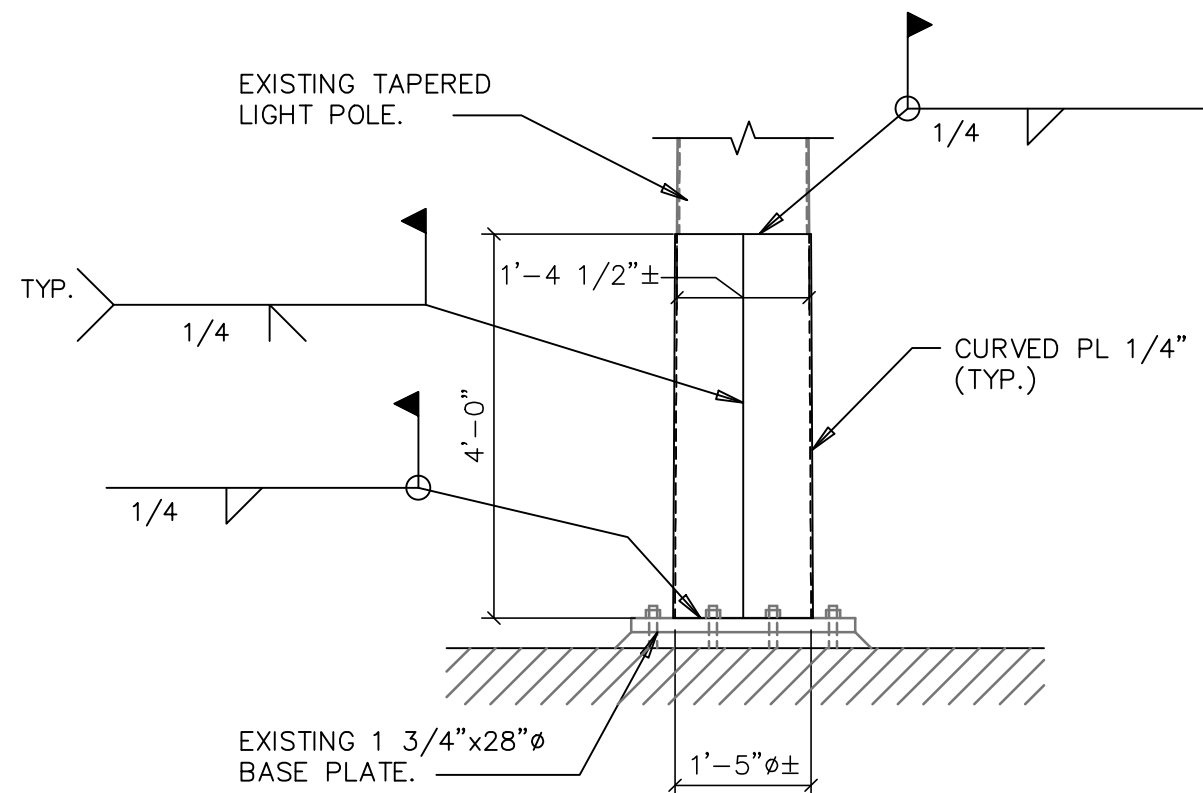


SOFTBALL FIELD LIGHT POLES



SOCCER FIELD LIGHT POLES

LIGHT POLE REINFORCEMENT DETAILS

1/2" = 1'-0"

1. VERIFY DIMENSIONS IN FIELD PRIOR TO FABRICATION AND CONSTRUCTION.
2. REPAIRS SHOWN SHOULD ONLY BE CONSIDERED AS TEMPORARY REMEDIATION OF THOSE EXISTING LIGHT POLES EXHIBITING CORROSION. EXISTING DAMAGED LIGHT POLES SHOULD BE REPLACED WITH NEW MEMBERS IN NO MORE THAN 5 YEARS TIME.
3. PLATE MATERIAL SHALL CONFORM TO ASTM A36 ($F_y = 36$ KSI). WELDING SHALL BE SMAW USING E70 ELECTRODES.
4. REMOVE EXISTING PAINT FROM BASE PLATES AND CLEAN CORROSION FROM PLATES BEFORE INSTALLING NEW REINFORCING PLATES.
5. COAT NEW STEEL AND EXISTING BASE PLATES WITH ZRC COLD GALVANIZING COMPOUND OR AN EQUIVALENT GALVANIZING PRODUCT.
6. IT IS RECOMMENDED THAT THE SPRINKLERS AROUND THE FIELD LIGHTING BE ADJUSTED TO AVOID DIRECT SPRAY ONTO THE LIGHT POLES IN ORDER TO MINIMIZE THE RISK OF CONTINUED CORROSION OF THE LIGHT POLES AND BASE PLATES.

LIGHT POLE REINFORCEMENT

CANYON VIEW PARK
 730 24 ROAD
 GRAND JUNCTION, COLORADO
 FOR: CITY OF GRAND JUNCTION PARKS & RECREATION

REVISIONS:

| | |
|-------------|----------|
| JOB # | 20.055 |
| DRAWN BY: | JAD |
| CHECKED BY: | JAD |
| DATE: | 08/10/20 |
| SHEET # | |

SSK1