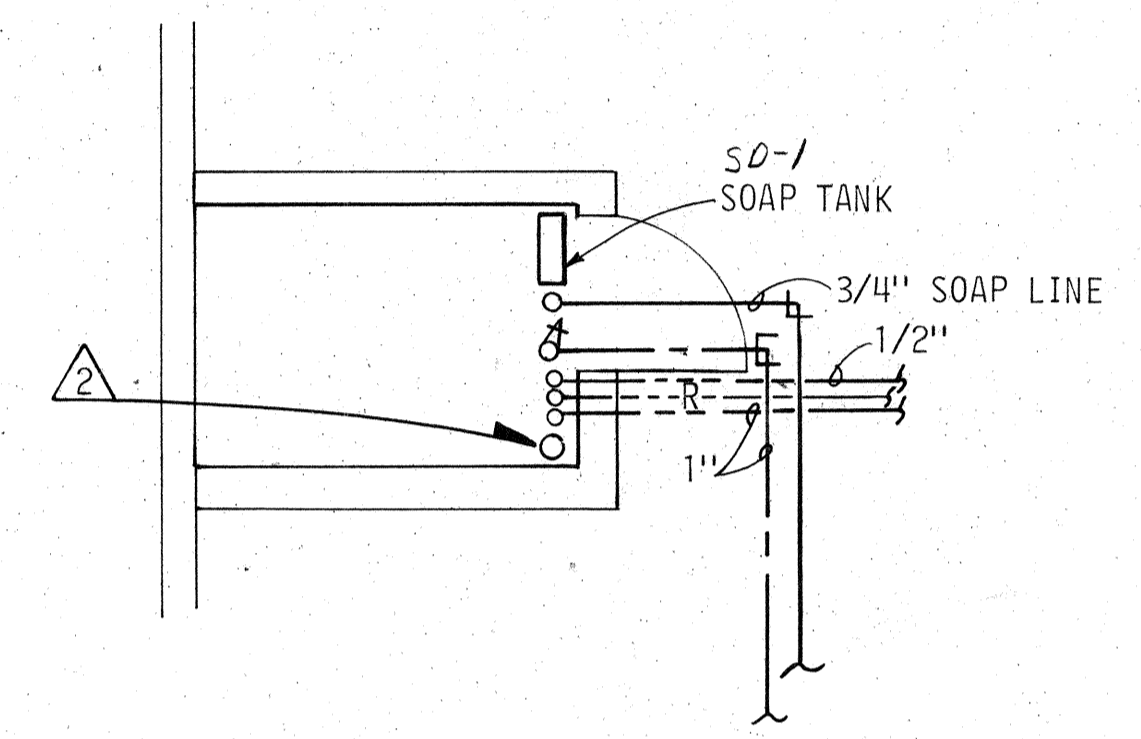



MEZZANINE PLUMBING PLAN  
SCALE: 1/8" = 1'-0"



DETAIL A

NOTES:

- ① DROP PIPE EXPOSED.
- ② PIPE SHALL BE ON THE WARM SIDE OF INSULATION.
- ③ PIPE THROUGH OR BETWEEN JOIST.

 <b>ARIX</b> Engineers Architects Planners Greeley, Colorado Grand Junction, Colorado Riverton, Wyoming	THIS DRAWING IS THE PROPERTY OF ARIX, AND IS NOT TO BE REPRODUCED, MODIFIED OR USED FOR ANY OTHER PROJECT OR EXTENSION OF THIS PROJECT EXCEPT BY AGREEMENT WITH SAID COMPANY.	SCALE 1/8" = 1'-0"	CITY OF GRAND JUNCTION MESA COUNTY <b>ORCHARD MESA POOL</b>		
		DRAWN <u>EWD</u> CHECKED <u>DTL</u> APPROVED <u>MLM</u>	GRAND JUNCTION, COLORADO		<b>PLUMBING PLAN</b>
		DATE <u>JULY 1982</u>			
		PROJECT NO. <u>82139.00</u>			