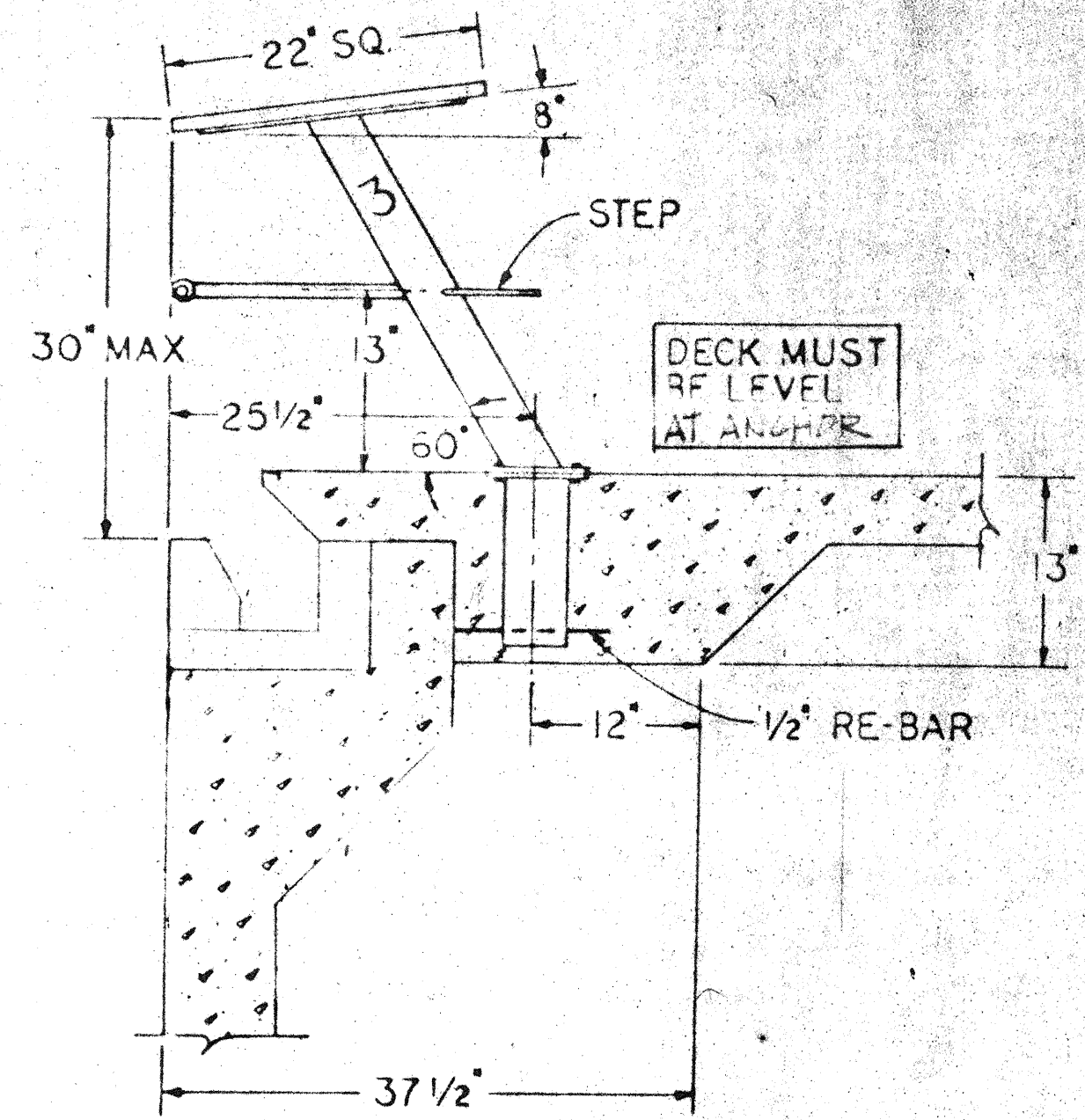
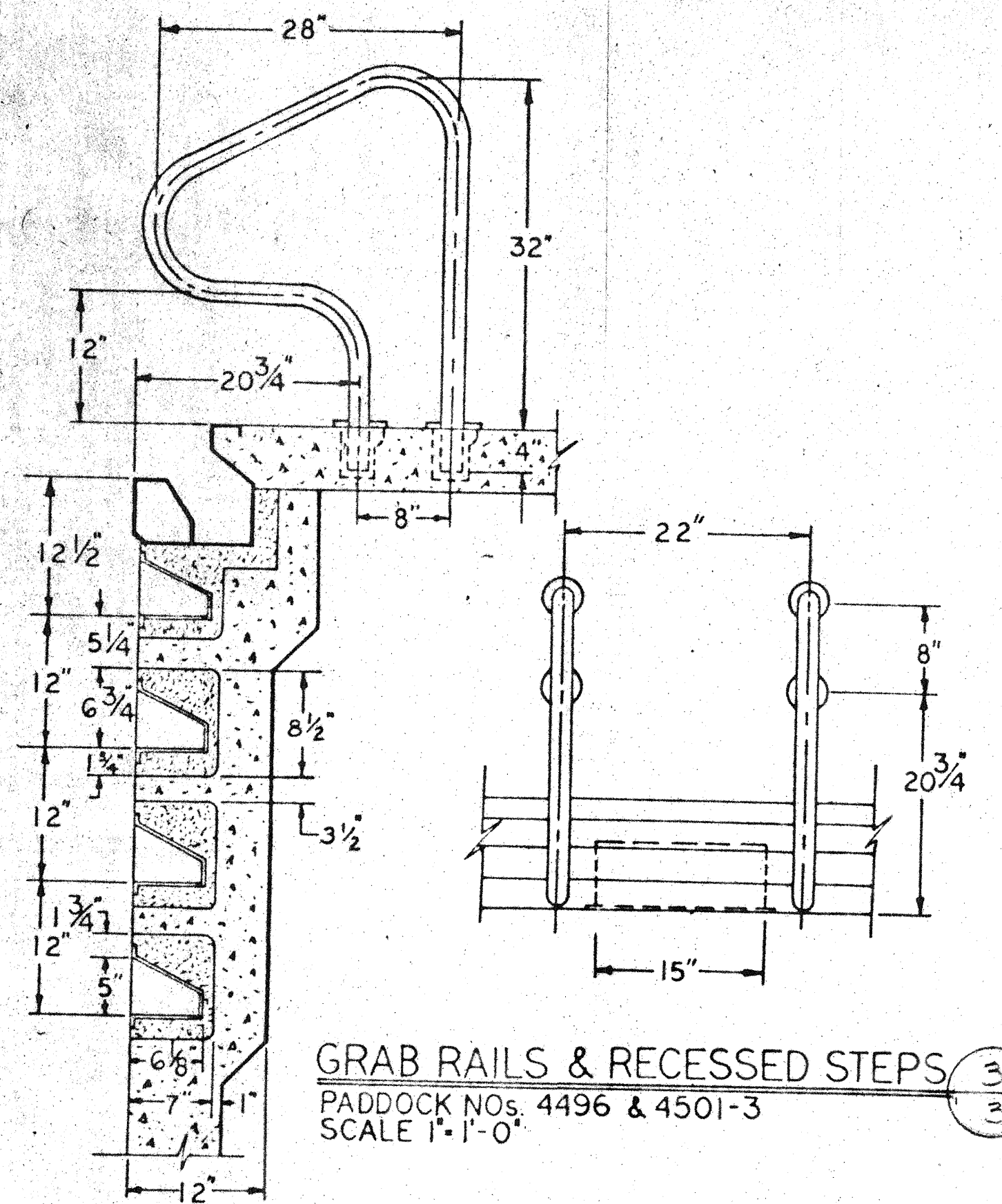


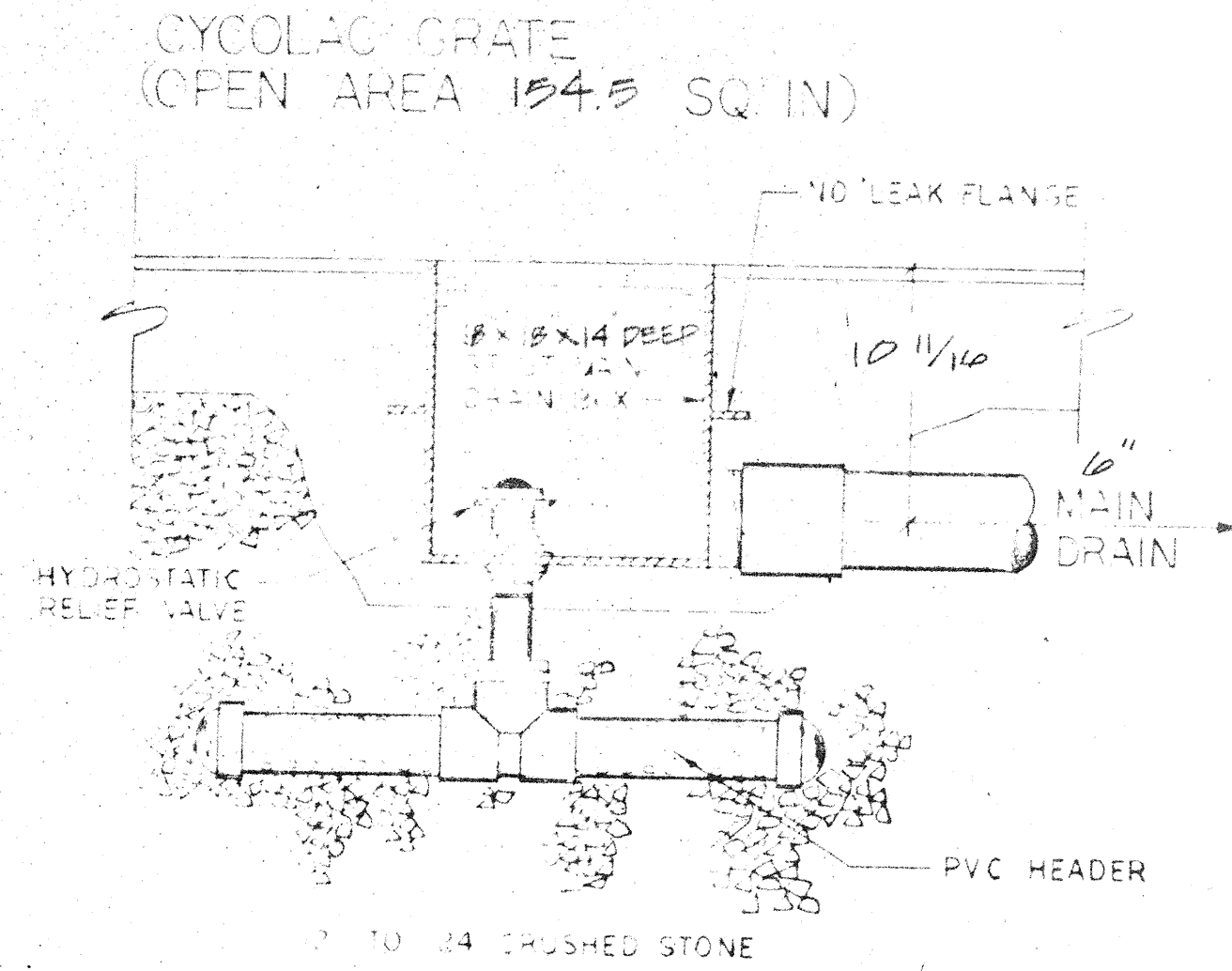
1 HOYER LIFT
3 SCALE 1/2" = 1'-0"



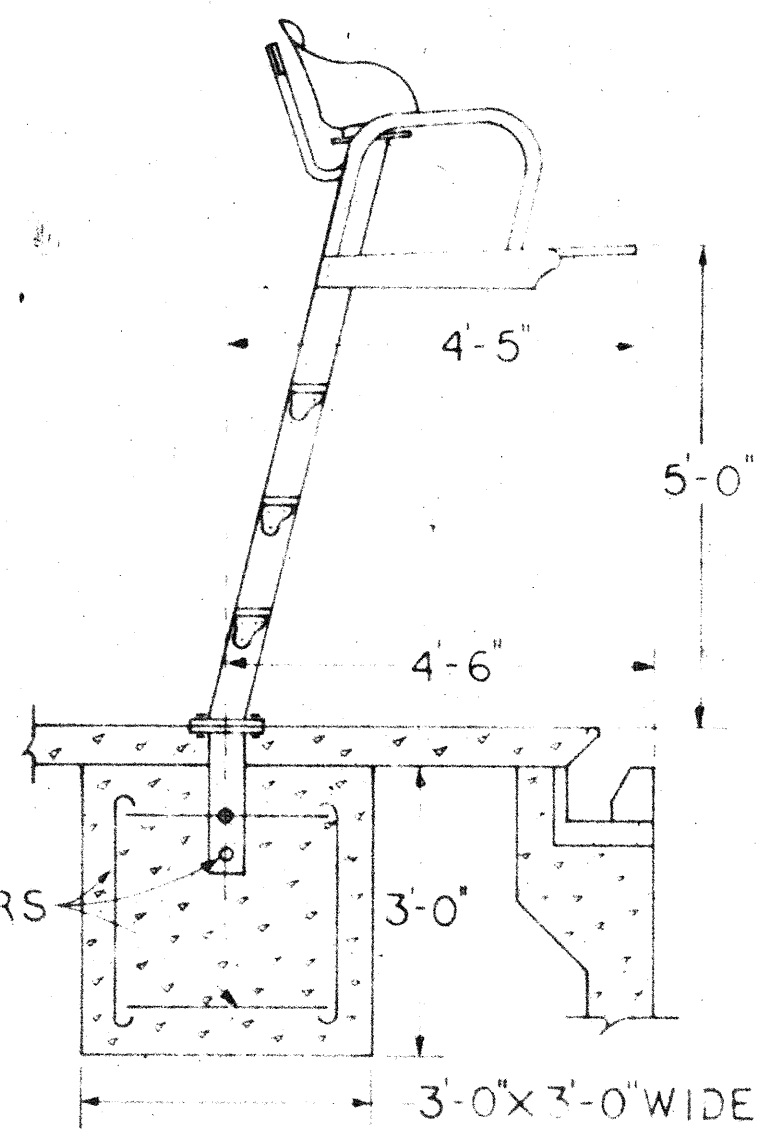
2 CANTILEVER STARTING PLATFORM
3 PADDOCK NO. 4908
SCALE 1" = 1'-0"



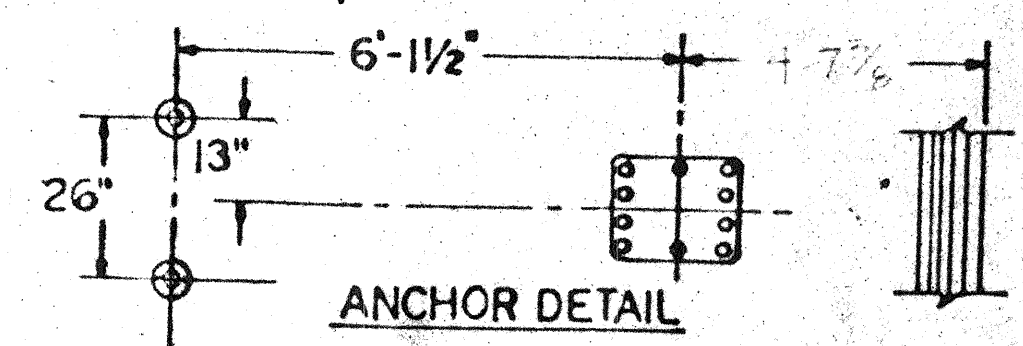
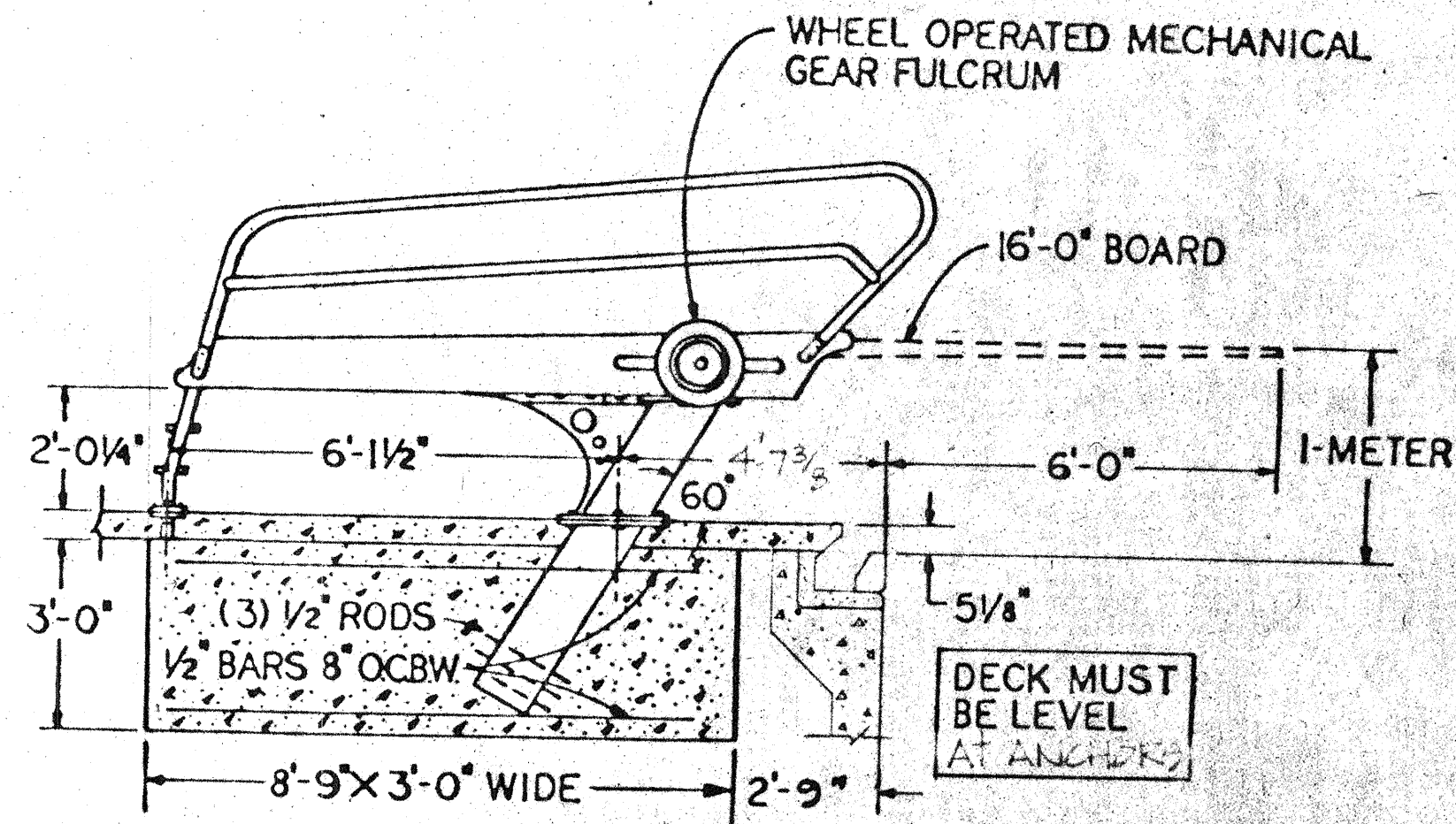
GRAB RAILS & RECESSED STEPS
3 PADDOCK NOS. 4496 & 4501-3
SCALE 1" = 1'-0"



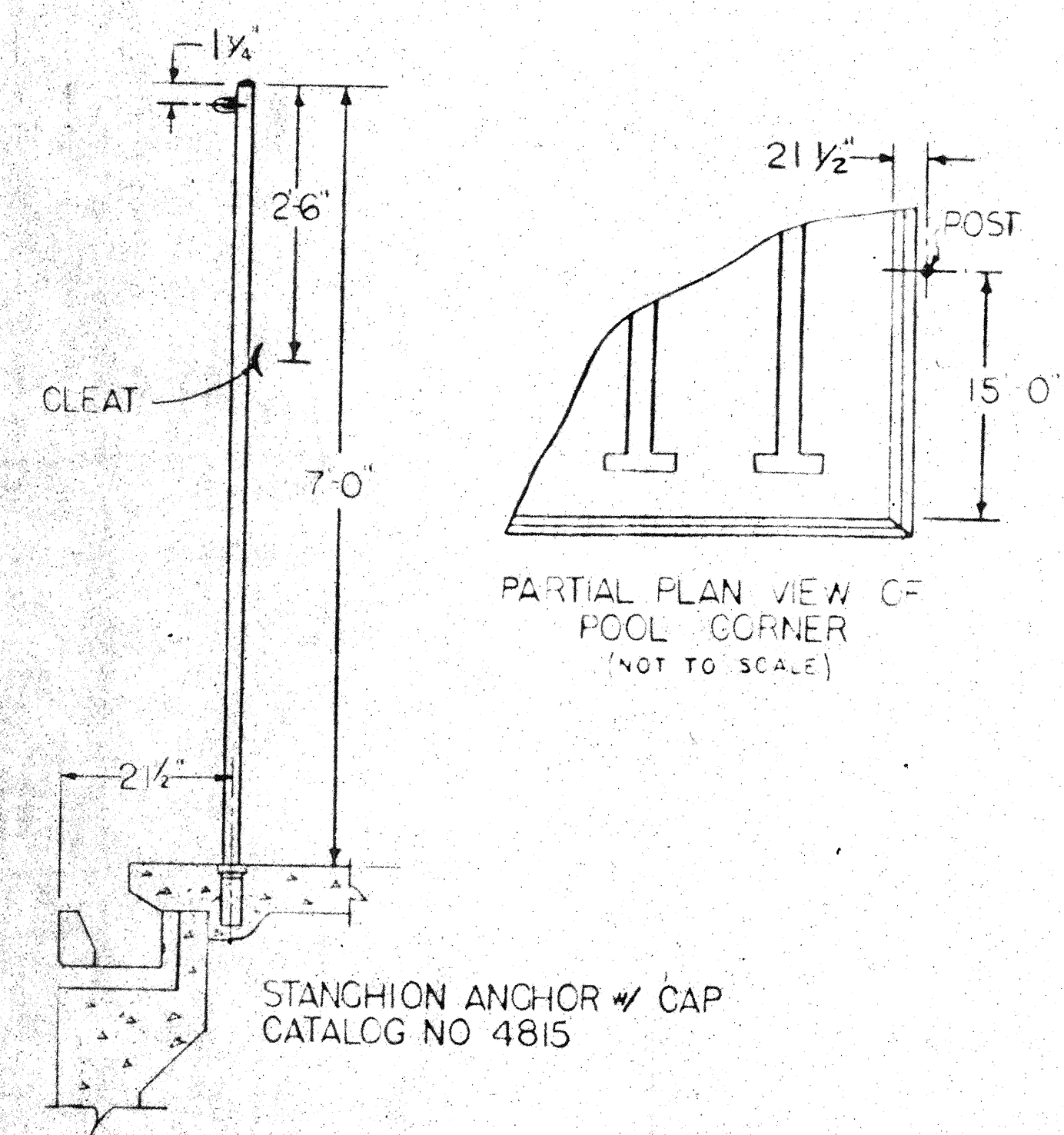
4 FRAME & GRATE
3 TYPE MAIN DRAIN
SCALE 1" = 1'-0"



5 CANTILEVER LIFEGUARD CHAIR
3 PADDOCK NO. 4706
SCALE 1/2" = 1'-0"



6 F-METER CANTILEVER DIVING SUPPORT
3 PADDOCK NO. 4061-2
SCALE 3/8" = 1'-0"



7 BACKSTROKE MARKER POST
3 PADDOCK NO. 4905
SCALE 3/4" = 1'-0"

A Professional Corporation
ARIX
Engineers Architects Planners
Greely, Colorado
Grand Junction, Colorado
Riverton, Wyoming

THIS DRAWING IS THE PROPERTY OF ARIX, AND IS NOT TO BE REPRODUCED, MODIFIED OR USED FOR ANY OTHER PROJECT OR EXTENSION OF THIS PROJECT EXCEPT BY AGREEMENT WITH SAID COMPANY.

SCALE AS SHOWN
DRAWN JIM
CHECKED FAP
APPROVED FAP
DATE AUG 1982
PROJECT NO. 82139.00

CITY OF GRAND JUNCTION
MESA COUNTY
ORCHARD MESA POOL
GRAND JUNCTION, COLORADO
DECK EQUIPMENT DETAILS R-3