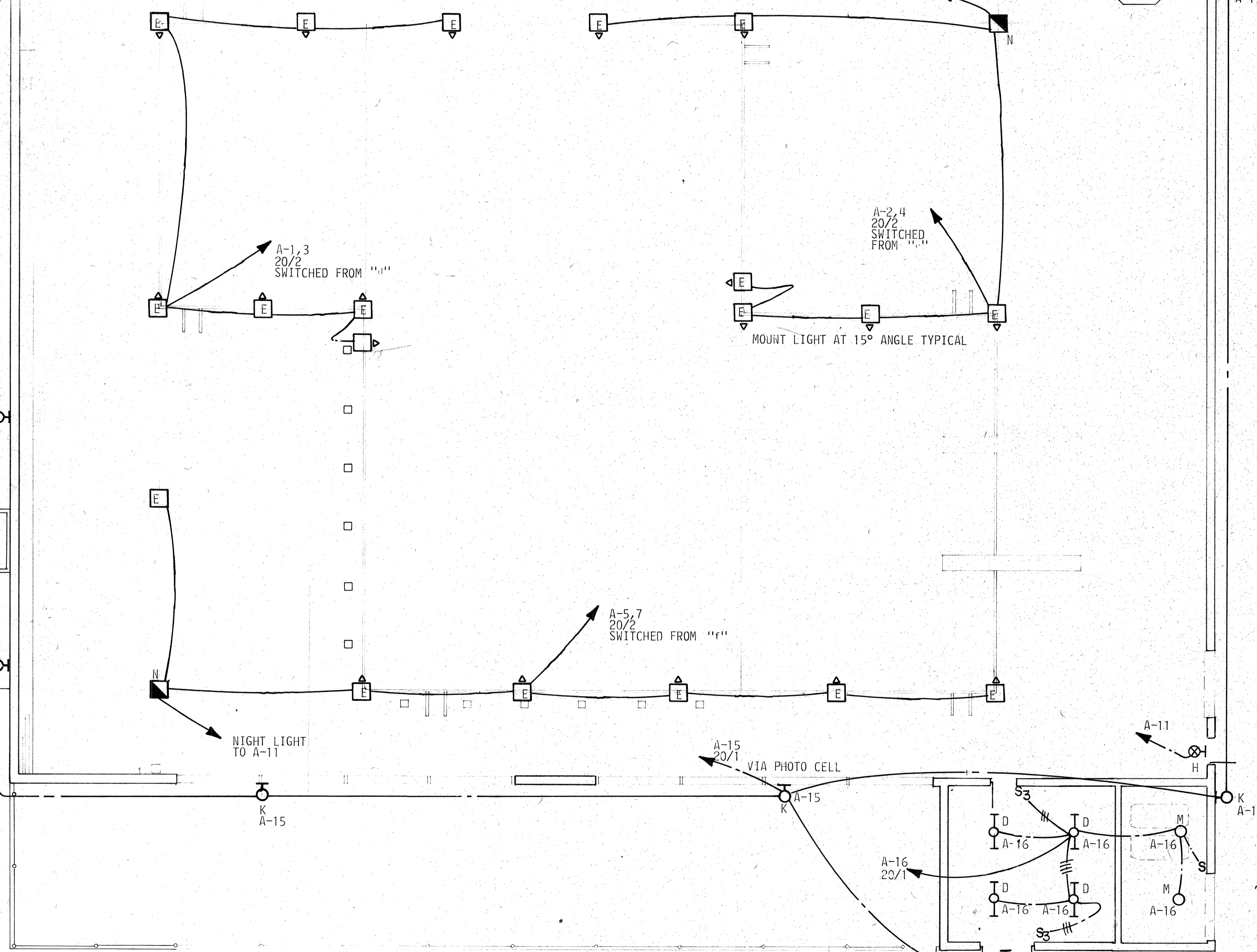
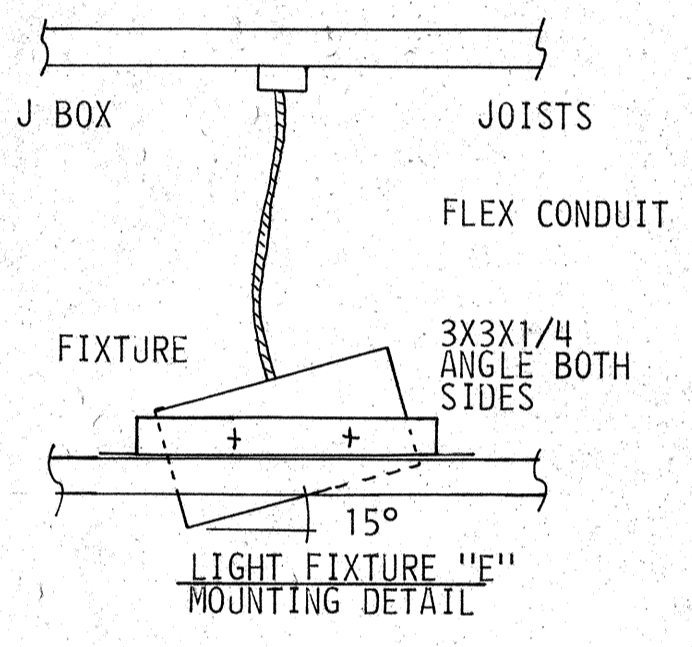
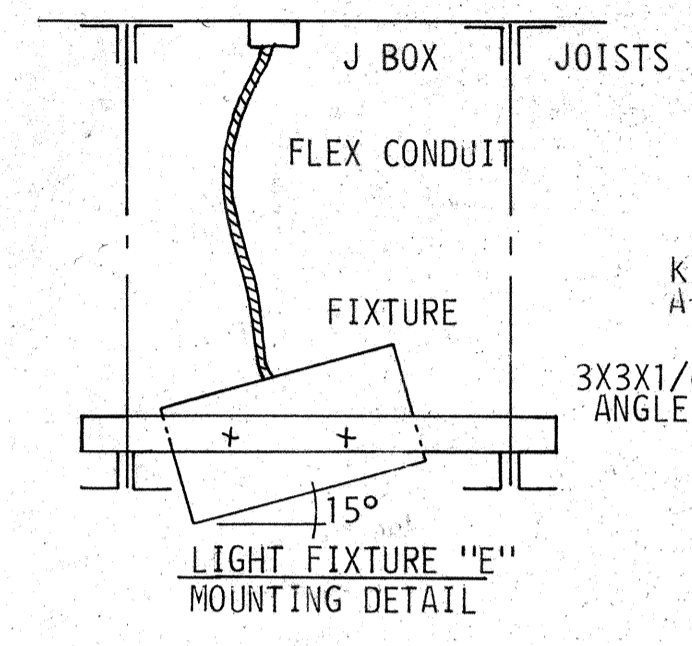


MEZZANINE LIGHTING PLAN
SCALE 1/8" = 1'-0"



PANELBOARD "A"		(225A MAIN LUGS)					
120/208 VOLT		3 PHASE		4 WIRE		SURFACE MOUNTED	
DESCRIPTION	O/C PROT.	CKT. NO. "L"	PHASE	CKT. NO. "R"	O/C PROT.	DESCRIPTION	
POOL LIGHTS	(20/2)	1	A	2	20/2	POOL LIGHTS	
POOL LIGHTS	(20/2)	3	B	4			
POOL LIGHTS	(20/2)	5	C	6	20/1	LOCKER ROOM & ENTRY LIGHTS	
HALLWAY LIGHTS	20/1	7	A	8	20/1	LOCKER ROOM & ENTRY LIGHTS	
NIGHT LIGHTS	20/1	9	B	10	20/1	OFFICE LIGHTS	
STORAGE ROOM LIGHTS	20/1	11	C	12	20/1	MEZZANINE LIGHTS	
OUTDOOR LIGHTS	20/1	13	A	14	20/1	FILTER & CHLORINE RM. LIGHTS	
TIMING EQUIPMENT	20/1	15	B	16	20/1	MEZZANINE RECEPTACLES	
POOL AREA RECEPTACLES GFI	20/1	17	C	18	20/1	RECEPTACLES IN ITB	
POOL AREA RECEPTACLES GFI	20/1	19	A	20	20/1	RECEPTACLES IN ITB	
BOOSTER PUMP BP-1	(20/3)	21	B	22	20/1	FILTER PUMP FP-1	
		23	C	24	90/3		
		25	A	26			
		27	B	28			
LOCKER RM. RECEPTACLES GFI	20/1	29	C	30	20/1	LOCKER RM. RECEPTACLES GFI	
BUCK AND BOOST/DRYER	(30/2)	31	A	32	20/1	HAIR DRYER	
		33	B	34	20/1	HAIR DRYER	
OFFICE RECEPTACLES	20/1	35	C	36	20/1	HAIR DRYER	
OFFICE RECEPTACLES	20/1	37	A	38	20/1	HAIR DRYER	
STORAGE ROOM RECEPTACLES	20/1	39	B	40	20/1	POOL AREA RECEPTACLES GFI	
SPARE	20/1	41	C	42	20/1	SPARE	
SPARE	20/1	43	A	44	20/1	SPARE	
CIRCULATION PUMP CP-1	(20/3)	45	B	46	20/1	SPARE	
		47	C	48	20/3	AIR PUMP AP-1	
		49	A	50			
HEATING AND VENTILATION HV-1	110/3	51	B	52			
		53	C	54	90/3	FAN F-1	
		55	A	56			
FAN F-2	(20/3)	57	B	58			
		59	C	60	20/3	HEATING & VENTILATION HV-2	
		61	A	62			
UNIT HEATER UH-1	(20/2)	63	B	64			
		65	C	66	20/1	HAND DRYER	
EXHAUST FAN EF-1,2,3,4,7	20/1	67	A	68	20/1	HAND DRYER	
EXHAUST FAN EF-5,6 & HWCP-1	20/1	69	B	70	20/1	HAND DRYER	
SPARE	20/1	71	C	72	20/1	HAND DRYER	
SPARE	20/1	73	A	74	35/3	HOIST	
SPARE	20/1	75	B	76			
SPARE	20/1	77	C	78			
SPARE	20/1	79	A	80	20/1	SPARE	
SPACE		81	B	82		SPACE	
SPACE		83	C	84		SPACE	

LIGHTING PLAN
SCALE 1/8" = 1'-0"

A Professional Corporation

ARIX

Engineers Architects Planners

Creely, Colorado
Grand Junction, Colorado
Riverton, Wyoming

THIS DRAWING IS THE PROPERTY OF ARIX, AND IS NOT TO BE REPRODUCED, MODIFIED OR USED FOR ANY OTHER PROJECT OR EXTENSION OF THIS PROJECT EXCEPT BY AGREEMENT WITH SAID COMPANY.

SCALE AS SHOWN

DRAWN HAJ

CHECKED AAC & MLM

APPROVED AAC & MLM

DATE JULY 1982

PROJECT NO 82139.00

CITY OF GRAND JUNCTION
MESA COUNTY
ORCHARD MESA POOL

GRAND JUNCTION, COLORADO
LIGHTING PLANS