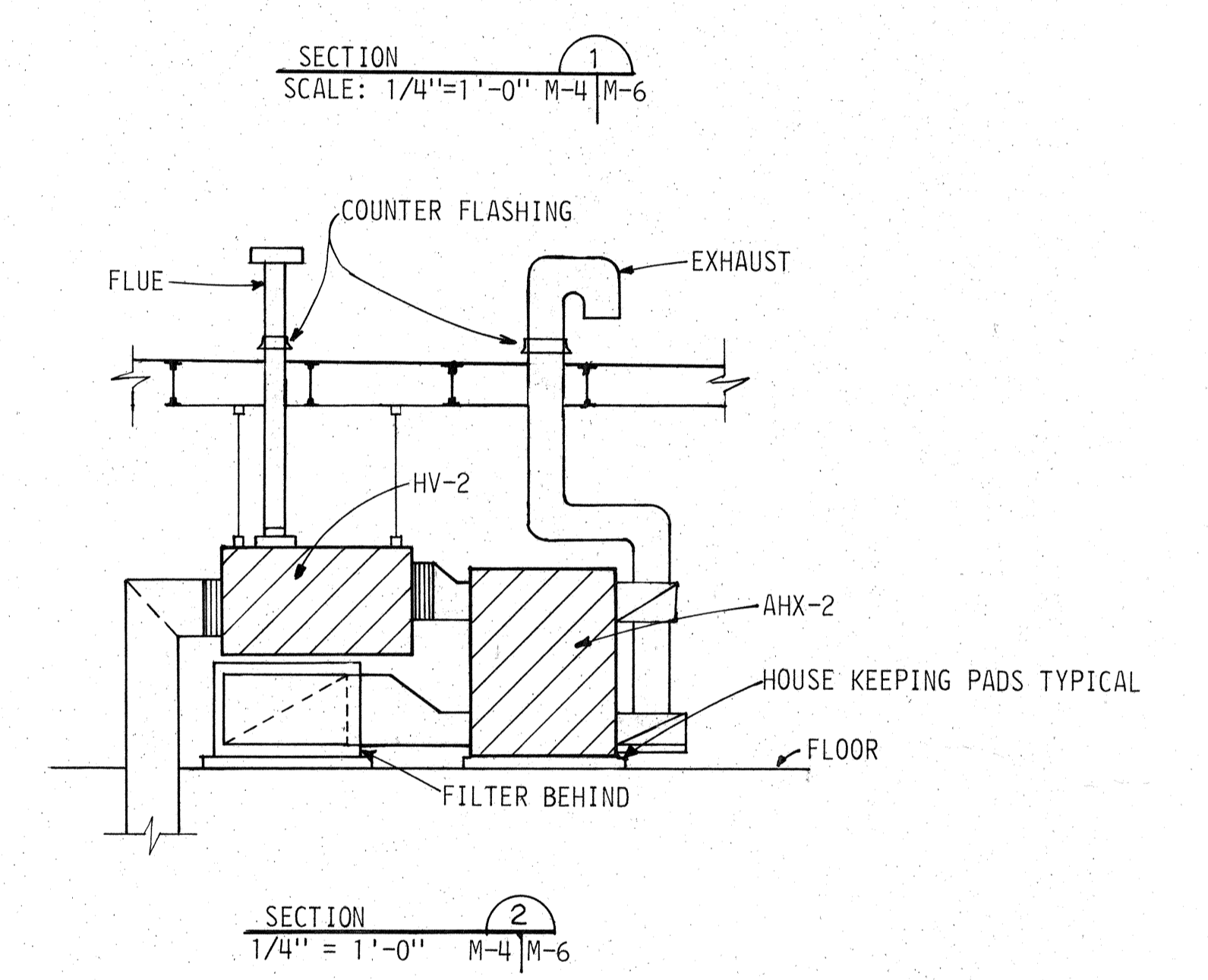
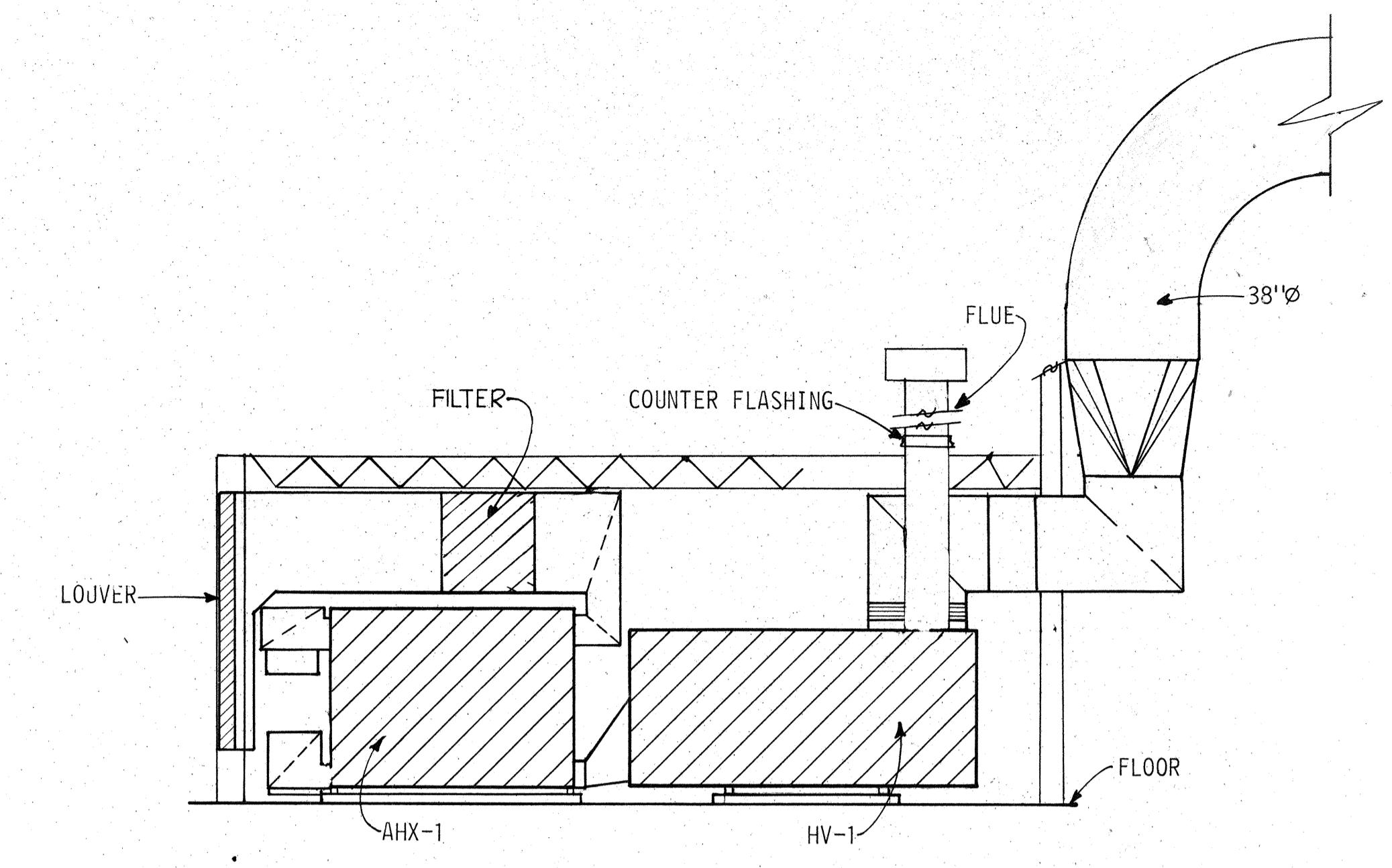


PROVIDE A DOOR ON EACH END WITH PIANO HINGES AND 2 LATCHES 18 GA. PANELS TOP AND BOTTOM



<p>A Professional Corporation</p> <p>ARIX</p> <p>Engineers Architects Planners</p> <p>Greely, Colorado Grand Junction, Colorado Riverton, Wyoming</p>	<p>THIS DRAWING IS THE PROPERTY OF ARIX, AND IS NOT TO BE REPRODUCED, MODIFIED OR USED FOR ANY OTHER PROJECT OR EXTENSION OF THIS PROJECT EXCEPT BY AGREEMENT WITH SAID COMPANY.</p>	SCALE	AS SHOWN	<p>CITY OF GRAND JUNCTION MESA COUNTY ORCHARD MESA POOL GRAND JUNCTION, COLORADO</p>	
		DRAWN	FWD		<p>MECHANICAL DETAILS</p>
		CHECKED	DTL		
		APPROVED	MLM		
DATE	JULY 1982	PROJECT NO.	82139.00	M-6	