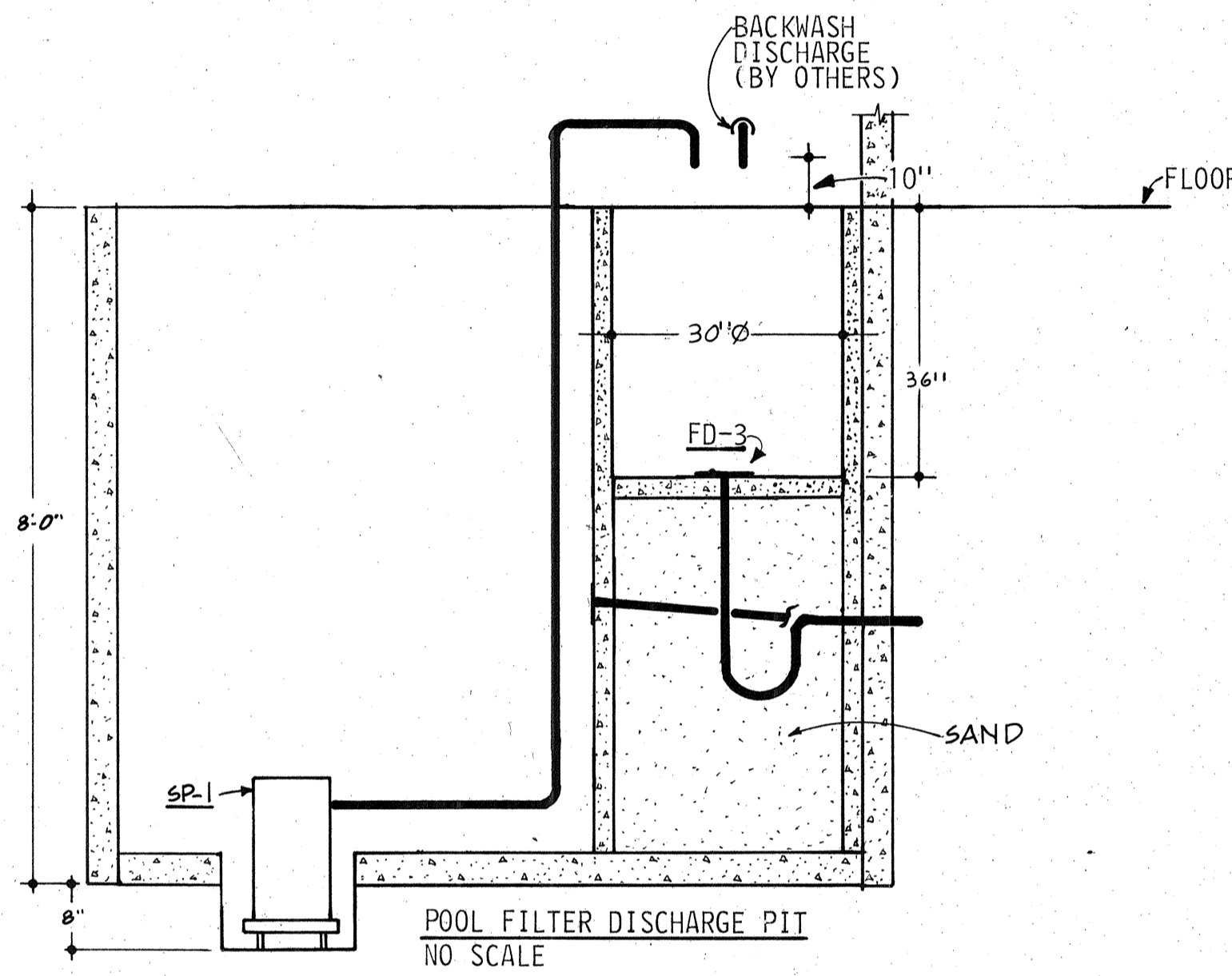


MECHANICAL ROOM AIR FLOW SCHEMATIC
NO SCALE

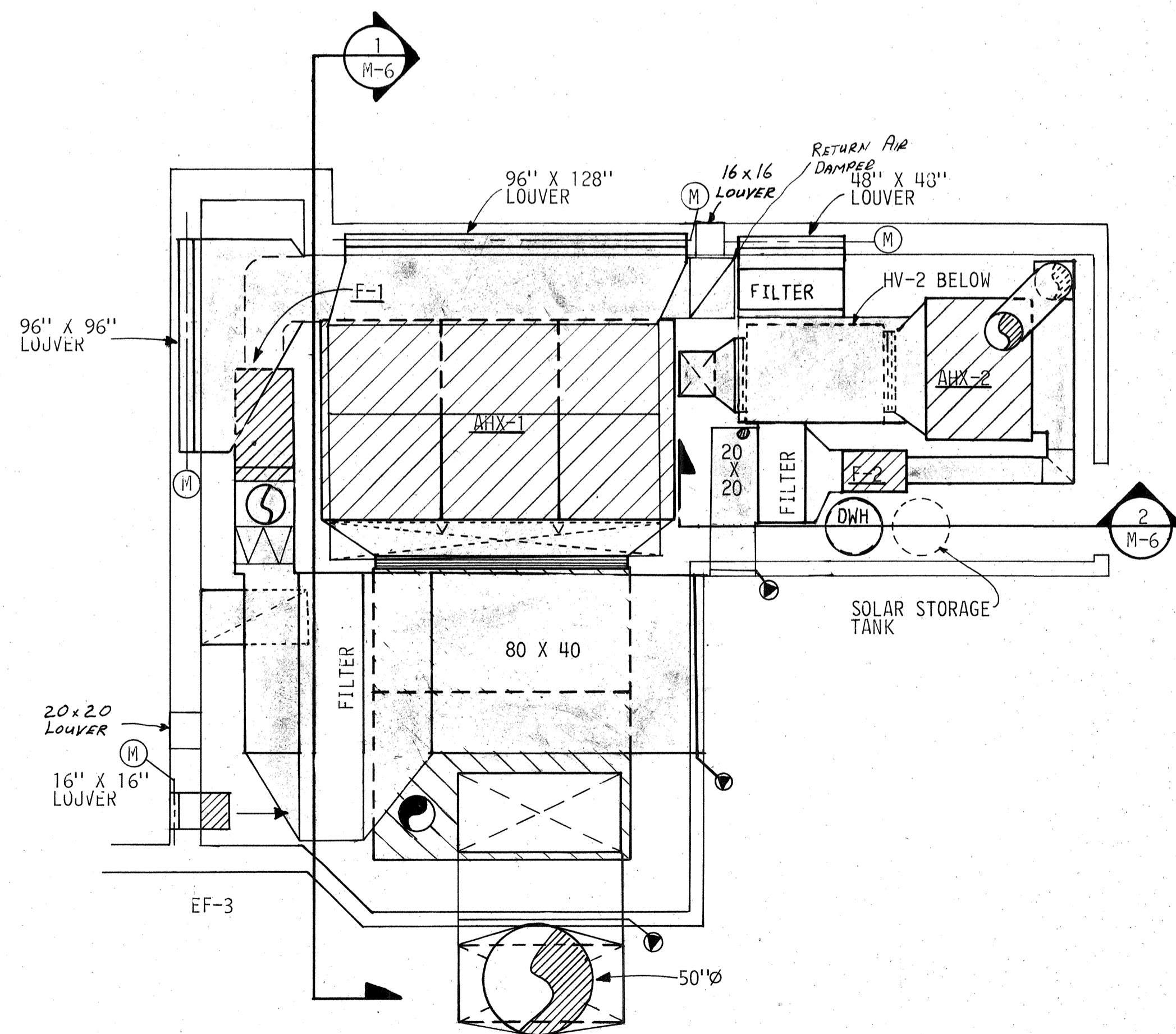
PLAN SYMBOL	LOCATION	CFM	BTU/H			MOTOR DATA		MANUFACTURER AND MODEL NUMBER
			EXT. STATIC	INPUT	OUTPUT	H.P.	VOLT/Ø	
UH-1	CHLORINE RM. 123	350	---	---	7.5 MBH	1/100	208/3Ø	CHROMOLOX MUH-03-2
HV-1	MECH. ROOM 206	30,000	1.75"	1500 MBH	---	25	208/3Ø	WEATHER R. TE 1D-150
HV-2	MECH. ROOM	3000	1.2"	300	---	2	208/3Ø	REZNOR HXE-300
F-1	MECH. ROOM	26,000	1.3"	---	---	15	208/3Ø	NEW YORK BLOWER T-369
F-2	MECH. ROOM	2400	1.0	---	---	1 1/2"	208/3Ø	NEW YORK BLOWER T-159



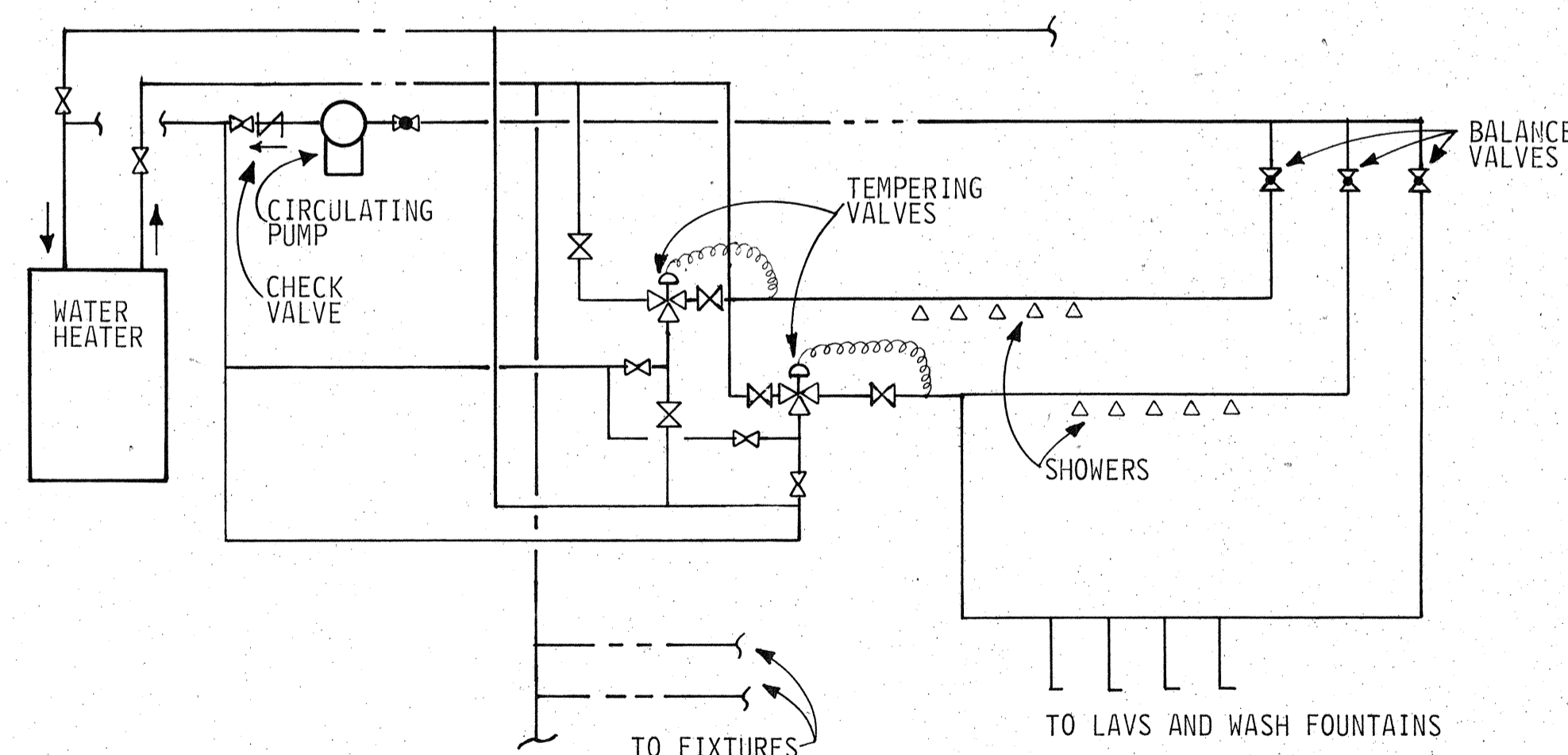
POOL FILTER DISCHARGE PIT
NO SCALE

PLAN SYMBOL	LOCATION	AREA SERVED	CFM	EXT. STATIC	MOTOR DATA		MFG. AND MODEL NO.	REMARKS
					WATTS/H.P.	VOLT/Ø		
EF-1	CEILING SPACE	TOILET ROOM 111	65	.125	25W	115/1Ø	ACME V100	SWITCH WITH LIGHTS (1)
EF-2	CEILING SPACE	TOILET ROOMS 105 & 106	60	.200	25W	115/1Ø	ACME V100	SWITCH WITH LIGHTS (1)
EF-3	WALL	MECH. ROOM 206	450	.125	1/29	115/1Ø	ACME FQ1210L0	2 REVERSE FAN DIRECTION FOR SUPPLY TO ROOM
EF-4	CEILING SPACE	TOILET ROOM 116	65	.125	25W	115/1Ø	ACME V-100	SWITCH WITH LIGHTS (1)
EF-5	WALL	CHLORINE ROOM 123	1,350	.250	1/6	115/1Ø	ACME FQ1404	CORROSIVE RESISTIVE FINISH, SWITCH WITH DOOR AND SENSOR (1)
EF-6	WALL	POOL BOIL. FILTER RM. 122	540	.125	1/29	115/1Ø	ACME FQ1210L0	(2)
EF-7	WALL	ELEC. ROOM	45	.125	25W	115/1Ø	ACME V-100	(1) & (2)

NOTE: (1) PROVIDE FAN WITH BACKDRAFT DAMPER.
(2) REVERSE ACTING T-STAT TO ACTIVATE FAN @ 30°F AND ABOVE, PROVIDE WALL COLLAR AND AUTO SHUTTER.



MECHANICAL ROOM
SCALE: 1/4" = 1'-0"



DOMESTIC HOT AND TEMPERED WATER
FLOW DIAGRAM
NO SCALE

GRILLES, REGISTERS AND DIFFUSERS						
PLAN SYMBOL	TYPE	THROW	NECK SIZE	MODULE SIZE	CLG. OR WALL TYPE	MANUFACTURER AND MODEL NUMBER
SD-1	SUPPLY DIFFUSER	SEE PLANS	SAME AS CONNECTION	24" X 24"	LAY-IN	TITUS TXH
SR-1	SUPPLY REGISTER	SEE PLANS	---	---	---	TITUS 272-RS5
RG-1	RETURN GRILLE	---	---	24" X 24"	LAY-IN	TITUS TXR PERFORATED FACE
RG-2	RETURN GRILLE	---	---	24" X 24"	GYP. BD. OR BRICK	TITUS CORE 10 1 X 1 X 1 "EGG CRATE"

A Professional Corporation

ARIX

Engineers Architects Planners

Grand Junction, Colorado
Riverton, Wyoming

THIS DRAWING IS THE PROPERTY OF ARIX, AND IS NOT TO BE REPRODUCED, MODIFIED OR USED FOR ANY OTHER PROJECT OR EXTENSION OF THIS PROJECT EXCEPT BY AGREEMENT WITH SAID COMPANY.

SCALE AS SHOWN

DRAWN FWD

CHECKED DTL

APPROVED MLM

DATE JULY 1982

PROJECT NO. 82139-00

CITY OF GRAND JUNCTION
MESA COUNTY

ORCHARD MESA POOL

GRAND JUNCTION, COLORADO

SCHEDULES AND
DIAGRAMS

M-5