



Purchasing Division

Invitation for Bid

IFB-5090-22-KH
Fiber Boxes & Materials Purchase Only

Responses Due:

July 8, 2022 prior to 2:00 PM Local Time

Accepting Electronic Responses Only
Responses Only Submitted Through the Rocky Mountain E-
Purchasing www.bidnetdirect.com/colorado

(Purchasing Representative does not have access or control of the vendor side of RMEPS. If website or other problems arise during response submission, vendor **MUST** contact RMEPS to resolve issue prior to the response deadline. 800-835-4603)

Purchasing Representative:

Kassy Hackett, Buyer

kassyh@gjcity.org

Phone (970) 244-1546

NOTE: All City solicitation openings will continue to be held virtually.
See Section 1.4 for details.

This document has been developed specifically to solicit competitive responses for this solicitation, and may not be the same as previous City of Grand Junction solicitations. All vendors are urged to thoroughly review this solicitation prior to responding. Submittal by **FAX, EMAIL or HARD COPY IS NOT ACCEPTABLE** for this solicitation.

Invitation for Bids

Table of Contents

Section 1	Instruction to Bidders
Section 2	General Contract Conditions
Section 3	Statement of Work
Section 4	Bid Form
	Price Proposal/Bid Schedule Form

1. Instructions to Bidders

- 1.1. **Purpose:** The City of Grand Junction is soliciting competitive bids from qualified and interested companies for all labor, equipment, and materials required to supply and deliver fiber boxes and related materials for Fire Station 8. **No installation is required for this purchase. This is a products/materials purchase only.** All dimensions and scope of work should be verified by Bidders prior to submission of bids.

The City would like to remind all Contractors, Sub-Contractors, Vendors, Suppliers, Manufacturers, Service Providers, etc. that (with the exception of Pre-Bid or Site Visit Meetings) all questions, inquiries, comments, or communication pertaining to any formal solicitation (whether process, specifications, scope, etc.) must be directed (in writing) to the Purchasing Agent assigned to the project, or Purchasing Division. Direct communication with the City assigned Project Managers/Engineers is not appropriate for public procurement, and may result in disqualification.

- 1.2. **The Owner:** The Owner is the City of Grand Junction, Colorado and is referred to throughout this Solicitation. The term Owner means the Owner or his authorized representative.
- 1.3. **Procurement Process:** Procurement processes shall be governed by the most current version of the City of Grand Junction [Purchasing Policy and Procedure Manual](#).
- 1.4. **Submission:** **Each proposal shall be submitted in electronic format only, and only through the Rocky Mountain E-Purchasing website (www.bidnetdirect.com/colorado).** *This site offers both “free” and “paying” registration options that allow for full access of the Owner’s documents and for electronic submission of proposals. (Note: “free” registration may take up to 24 hours to process. Please Plan accordingly.)* Please view our “**Electronic Vendor Registration Guide**” at <https://www.gjcity.org/501/Purchasing-Bids> for details. (Purchasing Representative does not have access or control of the vendor side of RMEPS. If website or other problems arise during response submission, vendor **MUST** contact RMEPS to resolve issue prior to the response deadline. **800-835-4603**)

Solicitation Opening, Fiber Boxes & Materials Purchase Only IFB-5090-22-KH
Fri, Jul 8, 2022 2:00 PM - 2:30 PM (MDT)

Please join my meeting from your computer, tablet or smartphone.

<https://meet.goto.com/346126749>

You can also dial in using your phone.
(For supported devices, tap a one-touch number below to join instantly.)

United States: +1 (571) 317-3122

- One-touch: tel:+15713173122,,346126749#

Access Code: 346-126-749

Join from a video-conferencing room or system.

Dial in or type: 67.217.95.2 or inroomlink.goto.com

Meeting ID: 346 126 749

Or dial directly: 346126749@67.217.95.2 or 67.217.95.2##346126749

Get the app now and be ready when your first meeting starts:
<https://meet.goto.com/install>

- 1.5. **Printed Form for Price Bid:** All Price Bids must be made upon the Bid Form attached, and should give the amounts both in words and in figures, and must be signed and acknowledged by the bidder.
- 1.6. **Exclusions:** No oral, telephonic, emailed, or facsimile bid will be considered
- 1.7. **Contract Documents:** The complete IFB and bidder's response compose the Contract Documents. Copies of these documents can be obtained from the City Purchasing website, <https://www.gjcity.org/501/Purchasing-Bids>.
- 1.8. **Examination of Specifications:** Bidders shall thoroughly examine and be familiar with the project Statement of Work. The failure or omission of any Bidder to receive or examine any form, addendum, or other document shall in no way relieve any Bidder from any obligation with respect to his bid. The submission of a bid shall be taken as evidence of compliance with this section.
- 1.9. **Questions Regarding Statement of Work:** Any information relative to interpretation of Scope of Work or specifications shall be requested of the Purchasing Representative, in writing, in ample time prior to the response time.
- 1.10. **Addenda & Interpretations:** All Questions shall be submitted in writing to the appropriate person as shown in Section 1.1. Any interpretations, corrections and changes to this solicitation or extensions to the opening/receipt date shall be made by a written Addendum to the solicitation by the Owner. Sole authority to authorize addenda shall be vested in the Purchasing Representative. Addenda will be issued electronically through the Rocky Mountain E-Purchasing website at www.bidnetdirect.com/colorado. Bidders shall acknowledge receipt of all addenda in their response and are solely responsible for obtaining all solicitation documents.
- 1.11. **Taxes:** The Owner is exempt from State retail and Federal tax. The bid price must be net, exclusive of taxes.
- 1.12. **Offers Binding 60 Days:** Unless otherwise specified, all formal offers submitted shall be binding for sixty (60) calendar days following opening date, unless the Bidder, upon request of the Purchasing Representative, agrees to an extension.

- 1.13. Collusion Clause:** Each bidder by submitting a bid certifies that it is not party to any collusive action or any action that may be in violation of the Sherman Antitrust Act. Any and all bids shall be rejected if there is evidence or reason for believing that collusion exists among bidders. The Owner may, or may not, accept future bids for the same services or commodities from participants in such collusion.
- 1.14. Public Disclosure Record:** If the bidder has knowledge of their employee(s) or sub-contractors having an immediate family relationship with an Owner employee or elected official, the bidder must provide the Purchasing Representative with the name(s) of these individuals. These individuals are required to file an acceptable "Public Disclosure Record", a statement of financial interest, before conducting business with the Owner.
- 1.15. Public Opening:** Responses shall be opened virtually immediately following the proposal deadline. Offerors, their representatives and interested persons may be present. Only the names and locations on the proposing firms will be disclosed.

2. General Contract Conditions

- 2.1. The Contract:** This Invitation for Bid, submitted documents, and any negotiations, when properly accepted by the Owner, shall constitute a contract equally binding between the Owner and Bidder. The contract represents the entire and integrated agreement between the parties hereto and supersedes all prior negotiations, representations, or agreements. The contract may be amended or modified with Change Orders, Field Orders, or Amendment(s).
- 2.2. Execution, Correlation, Intent, and Interpretations:** The Contract Documents and/or Purchase Order shall be signed by the Owner (Owner) and Contractor. Owner will provide the contract/purchase order. By executing the contract/purchase order, the Bidder represents that they have familiarized themselves with the local conditions under which the work is to be performed, and correlated his observations with the requirements of the Contract Documents. The Contract Documents are complementary, and what is required by any one, shall be as binding as if required by all. The intention of the documents is to include all labor, materials, equipment and other items necessary for the proper execution and completion of the scope of work as defined herein. All drawings, specifications and copies furnished by the Owner are, and shall remain, Owner property. They are not to be used on any other project, and with the exception of one contract set for each party to the contract, are to be returned to the owner on request at the completion of the work.
- 2.3. The Owner:** The Owner is the City of Grand Junction, Colorado and is referred to throughout the Contract Documents. The term Owner means the Owner or his authorized representative. The Owner shall, at all times, have access to the work wherever it is in preparation or progress. The Contractor shall provide facilities for such access. The Owner will familiarize himself generally with the progress and quality of work and to determine, in general, if the work is proceeding in accordance with the contract documents. The Owner will not be responsible for the acts or

omissions of the Contractor, and sub-Contractor, or any of their agents or employees, or any other persons performing any of the work.

2.4. Contractor: The Contractor is the person or organization identified as such in the Agreement and is referred to throughout the Contract Documents. The term Contractor means the Contractor or his authorized representative. The Contractor shall carefully study and compare the General Contract Conditions of the Contract, Specification and/or Drawings, Scope of Work, Addenda and Modifications and shall at once report to the Owner any error, inconsistency or omission he may discover. Contractor shall not be liable to the Owner for any damage resulting from such errors, inconsistencies or omissions. The Contractor shall not commence work without clarifying Drawings, Specifications, or Interpretations.

2.5. Warranty: The Contractor warrants to the Owner that all materials and equipment furnished under this contract will be new unless otherwise specified, be of good quality, free from faults and defects and in conformance with the Contract Documents. All materials and equipment not so conforming to these standards may be considered defective. If required by Owner, the Contractor shall furnish satisfactory evidence as to the kind and quality of materials and equipment. If within ten (10) days after written notice to the Contractor requesting such repairs or replacement, the Contractor should neglect to make or undertake with due diligence to the same, the City may make such replacements. All indirect and direct costs of such correction or replacement shall be at the Contractor's expense.

2.6. Insurance Requirements: The selected Contractor agrees to procure and maintain, at its own cost, policy(s) of insurance sufficient to insure against all liability, claims, demands, and other obligations assumed by the Contractor pursuant to this Section. Such insurance shall be in addition to any other insurance requirements imposed by this Contract or by law. The Contractor shall not be relieved of any liability, claims, demands, or other obligations assumed pursuant to this Section by reason of its failure to procure or maintain insurance in sufficient amounts, durations, or types. Contractor shall procure and maintain and, if applicable, shall cause any Subcontractor of the Contractor to procure and maintain insurance coverage listed below. Such coverage shall be procured and maintained with forms and insurers acceptable to the Owner. In the case of any claims-made policy, the necessary retroactive dates and extended reporting periods shall be procured to maintain such continuous coverage. Minimum coverage limits shall be as indicated below unless specified otherwise:

(a) Worker Compensation: Contractor shall comply with all State of Colorado Regulations concerning Workers' Compensation insurance coverage.

(b) General Liability insurance with minimum limits of:

ONE MILLION DOLLARS (\$1,000,000) each occurrence and
ONE MILLION DOLLARS (\$1,000,000) per job aggregate.

The policy shall be applicable to all premises and operations. The policy shall include coverage for bodily injury, broad form property damage (including completed operations), personal injury (including coverage for contractual and

employee acts), blanket contractual, products, and completed operations. The policy shall include coverage for explosion, collapse, and underground hazards. The policy shall contain a severability of interests provision.

(c) Comprehensive Automobile Liability insurance with minimum limits for bodily injury and property damage of not less than:

ONE MILLION DOLLARS (\$1,000,000) each occurrence and
ONE MILLION DOLLARS (\$1,000,000) aggregate

With respect to each of Contractors owned, hired, or non-owned vehicles assigned to be used in performance of the Work. The policy shall contain a severability of interests provision. The policies required by paragraph (b) above shall be endorsed to include the Owner, and the Owner's officers and employees as additional insureds. Every policy required above shall be primary insurance, and any insurance carried by the Owner, its officers, or its employees, or carried by or provided through any insurance pool of the Owner, shall be excess and not contributory insurance to that provided by Bidder. No additional insured endorsement to any required policy shall contain any exclusion for bodily injury or property damage arising from completed operations. The Bidder shall be solely responsible for any deductible losses under any policy required above.

- 2.7. Indemnification:** The Contractor shall defend, indemnify and save harmless the Owner, and all its officers, employees, insurers, and self-insurance pool, from and against all liability, suits, actions, or other claims of any character, name and description brought for or on account of any injuries or damages received or sustained by any person, persons, or property on account of any negligent act or fault of the Contractor, or of any Contractor's agent, employee, sub-contractor or supplier in the execution of, or performance under, any contract which may result from proposal award. Contractor shall pay any judgment with cost which may be obtained against the Owner growing out of such injury or damages.
- 2.8. Miscellaneous Conditions:** Material Availability: Contractors must accept responsibility for verification of material availability, production schedules, and other pertinent data prior to submission of bid. It is the responsibility of the bidder to notify the Owner immediately if materials specified are discontinued, replaced, or not available for an extended period of time. OSHA Standards: All bidders agree and warrant that services performed in response to this invitation shall conform to the standards declared by the US Department of Labor under the Occupational Safety and Health Act of 1970 (OSHA). In the event the services do not conform to OSHA standards, the Owner may require the services to be redone at no additional expense to the Owner.
- 2.9. Time:** The Contract Time is the period of time allotted in the Contract Documents for completion of product/material receipt. The date of commencement of the contract is the date established in the Contract Documents.
- 2.10. Payment & Completion:** The Contract Sum is stated in the Contract and is the total amount payable by the Owner to the Contractor for the products/materials under the Contract Documents. Upon receipt of the products/materials or written

notice that the products/materials is ready for final inspection and acceptance and upon receipt of application for payment, the Owner's Project Manager will promptly make such inspection and, when he finds the products/materials acceptable under the Contract Documents and the Contract fully performed, the Owner shall make payment in the manner provided in the Contract Documents.

- 2.11. Protection of Persons & Property:** The Contractor shall comply with all applicable laws, ordinances, rules, regulations and orders of any public authority having jurisdiction for the safety of persons or property or to protect them from damage, injury or loss. Contractor shall erect and maintain, as required by existing safeguards for safety and protection, and all reasonable precautions, including posting danger signs or other warnings against hazards promulgating safety regulations and notifying owners and users of adjacent utilities. When or where any direct or indirect damage or injury is done to public or private property by or on account of any act, omission, neglect, or misconduct by the Contractor in the execution of the Contract, or in consequence of the non-execution thereof, the Contractor shall restore, at their own expense, such property to a condition similar or equal to that existing before such damage or injury was done, by repairing, rebuilding, or otherwise restoring as may be directed, or they shall make good such damage or injury in an acceptable manner.
- 2.12. Change Order/Amendment:** No oral statement of any person shall modify or otherwise change, or affect the terms, conditions or specifications stated in the resulting contract. All Change Orders/Amendments to the contract shall be made in writing by the Owner.
- 2.13. Assignment:** The Contractor shall not sell, assign, transfer or convey any contract resulting from this Solicitation, in whole or in part, without the prior written approval from the Owner.
- 2.14. Cancellation of Solicitation:** Any solicitation may be canceled by the Owner or any solicitation response by a vendor may be rejected in whole or in part when it is in the best interest of the Owner.
- 2.15. Compliance with Laws:** Bids must comply with all Federal, State, County and local laws governing or covering this type of service and the fulfillment of all ADA (Americans with Disabilities Act) requirements.
- 2.16. Confidentiality:** All materials submitted in response to this Solicitation shall ultimately become public record and shall be subject to inspection after contract award. "**Proprietary or Confidential Information**" is defined as any information that is not generally known to competitors and which provides a competitive advantage. Unrestricted disclosure of proprietary information places it in the public domain. Only submittal information clearly identified with the words "**Confidential Disclosure**" and uploaded as a separate document shall establish a confidential, proprietary relationship. Any material to be treated as confidential or proprietary in nature must include a justification for the request. The request shall be reviewed and either approved or denied by the Owner. If denied, the proposer shall have the opportunity to withdraw its entire proposal, or to remove the confidential or

proprietary restrictions. Neither cost nor pricing information nor the total response shall be considered confidential or proprietary.

- 2.17. Conflict of Interest:** No public official and/or Owner employee shall have interest in any contract resulting from this Solicitation.
- 2.18. Contract Termination:** This contract shall remain in effect until any of the following occurs: (1) contract expires; (2) completion of work; (3) acceptance of work or, (4) for convenience terminated by either party with a written *Notice of Cancellation* stating therein the reasons for such cancellation and the effective date of cancellation.
- 2.19. Employment Discrimination:** During the performance of any services per agreement with the Owner, the Contractor, by submitting a response, agrees to the following conditions:
- 2.19.1.** The Contractor shall not discriminate against any employee or applicant for employment because of race, religion, color, sex, age, handicap, or national origin except when such condition is a legitimate occupational qualification reasonably necessary for the normal operations of the Contractor. The Contractor agrees to post in conspicuous places, visible to employees and applicants for employment, notices setting forth the provisions of this nondiscrimination clause.
- 2.19.2.** The Contractor, in all solicitations or advertisements for employees placed by or on behalf of the Contractor, shall state that such Contractor is an Equal Opportunity Employer.
- 2.19.3.** Notices, advertisements, and solicitations placed in accordance with federal law, rule, or regulation shall be deemed sufficient for the purpose of meeting the requirements of this section.
- 2.20. Immigration Reform and Control Act of 1986 and Immigration Compliance:** The Contractor certifies that it does not and will not during the performance of the contract employ illegal alien workers or otherwise violate the provisions of the Federal Immigration Reform and Control Act of 1986 and/or the immigration compliance requirements of State of Colorado C.R.S. § 8-17.5-101, *et seq.* (House Bill 06-1343).
- 2.21. Ethics:** The Contractor shall not accept or offer gifts or anything of value nor enter into any business arrangement with any employee, official, or agent of the Owner.
- 2.22. Failure to Deliver:** In the event of failure of the Contractor to deliver products/materials in accordance with the contract terms and conditions, the Owner, after due oral or written notice, may procure the products/materials from other sources and hold the Contractor responsible for any costs resulting in additional purchase and administrative services. This remedy shall be in addition to any other remedies that the Owner may have.

- 2.23. Failure to Enforce:** Failure by the Owner at any time to enforce the provisions of the contract shall not be construed as a waiver of any such provisions. Such failure to enforce shall not affect the validity of the contract or any part thereof or the right of the Owner to enforce any provision at any time in accordance with its terms.
- 2.24. Force Majeure:** The Contractor shall not be held responsible for failure to perform the duties and responsibilities imposed by the contract due to legal strikes, fires, riots, rebellions, and acts of God beyond the control of the Contractor, unless otherwise specified in the contract.
- 2.25. Independent Contractor:** The Contractor shall be legally considered an Independent Contractor and neither the Contractor nor its employees shall, under any circumstances, be considered servants or agents of the Owner. The Owner shall be at no time legally responsible for any negligence or other wrongdoing by the Contractor, its servants, or agents. The Owner shall not withhold from the contract payments to the Contractor any federal or state unemployment taxes, federal or state income taxes, Social Security Tax or any other amounts for benefits to the Contractor. Further, the Owner shall not provide to the Contractor any insurance coverage or other benefits, including Workers' Compensation, normally provided by the Owner for its employees.
- 2.26. Nonconforming Terms and Conditions:** A response that includes terms and conditions that do not conform to the terms and conditions of this Solicitation is subject to rejection as non-responsive. The Owner reserves the right to permit the Contractor to withdraw nonconforming terms and conditions from its response prior to a determination by the Owner of non-responsiveness based on the submission of nonconforming terms and conditions.
- 2.27. Ownership:** All plans, prints, designs, concepts, etc., shall become the property of the Owner.
- 2.28. Patents/Copyrights:** The Contractor agrees to protect the Owner from any claims involving infringements of patents and/or copyrights. In no event shall the Owner be liable to the Contractor for any/all suits arising on the grounds of patent(s)/copyright(s) infringement. Patent/copyright infringement shall null and void any agreement resulting from response to this Solicitation.
- 2.29. Remedies:** The Contractor and Owner agree that both parties have all rights, duties, and remedies available as stated in the Uniform Commercial Code.
- 2.30. Venue:** Any agreement as a result of responding to this Solicitation shall be deemed to have been made in, and shall be construed and interpreted in accordance with, the laws of the City of Grand Junction, Mesa County, Colorado.
- 2.31. Expenses:** Expenses incurred in preparation, submission and presentation of this Solicitation are the responsibility of the company and cannot be charged to the Owner.

- 2.32. Sovereign Immunity:** The Owner specifically reserves its right to sovereign immunity pursuant to Colorado State Law as a defense to any action arising in conjunction to this agreement.
- 2.33. Non-Appropriation of Funds:** The contractual obligation of the Owner under this contract is contingent upon the availability of appropriated funds from this fiscal year budget as approved by the City Council or Board of County Commissioners from this fiscal year only. **State of Colorado Statutes prohibit obligation of public funds beyond the fiscal year for which the budget was approved.** Anticipated expenditures/obligations beyond the end of the current Owner's fiscal year budget shall be subject to budget approval. Any contract shall be subject to, and must contain, a governmental non-appropriation of funds clause.
- 2.34. Cooperative Purchasing:** Purchases as a result of this solicitation are primarily for the Owner. Other governmental entities may be extended the opportunity to utilize the resultant contract award with the agreement of the successful provider and the participating agencies. All participating entities shall be required to abide by the specifications, terms, conditions and pricings established in this Solicitation. The quantities furnished in this bid document are for only the Owner. It does not include quantities for any other jurisdiction. The Owner shall be responsible only for the award for its jurisdiction. Other participating entities shall place their own awards on their respective Contract/Purchase Orders through their Purchasing Office or use their Purchasing Card for purchase/payment as authorized or agreed upon between the provider and the individual entity. The Owner accepts no liability for payment of orders placed by other participating jurisdictions that choose to piggy-back on our solicitation. Orders placed by participating jurisdictions under the terms of this solicitation shall indicate their specific delivery and invoicing instructions.
- 2.35. Keep Jobs in Colorado Act:** Contractor shall be responsible for ensuring compliance with Article 17 of Title 8, Colorado Revised Statutes requiring 80% Colorado labor to be employed on public works. Contractor shall, upon reasonable notice provided by the Owner, permit the Owner to inspect documentation of identification and residency required by C.R.S. §8-17-101(2)(a). If Contractor claims it is entitled to a waiver pursuant to C.R.S. §8-17-101(1), Contractor shall state that there is insufficient Colorado labor to perform the work such that compliance with Article 17 would create an undue burden that would substantially prevent a project from proceeding to completion, and shall include evidence demonstrating the insufficiency and undue burden in its response.

Unless expressly granted a waiver by the Owner pursuant to C.R.S. §8-17-101(1), Contractor shall be responsible for ensuring compliance with Article 17 of Title 8, Colorado Revised Statutes requiring 80% Colorado labor to be employed on public works. Contractor shall, upon reasonable notice provided by the Owner, permit the Owner to inspect documentation of identification and residency required by C.R.S. §8-17-101(2)(a).

2.35.1. "Public Works Project" is defined as:

- (a) any construction, alteration, repair, demolition, or improvement of any land, building, structure, facility, road, highway, bridge, or other public improvement

- suitable for and intended for use in the promotion of the public health, welfare, or safety and any maintenance programs for the upkeep of such projects
- (b) for which appropriate or expenditure of moneys may be reasonably expected to be \$500,000.00 or more in the aggregate for any fiscal year
 - (c) except any project that receives federal moneys.

2.36. Definitions:

- 2.36.1.** The term "Work" includes all labor, materials, equipment, and/or services necessary to produce the requirements of the Contract Documents.
- 2.36.2.** "Contractor" is the person or organization identified as such in the Agreement and is referred to throughout the Contract Documents. The term Contractor means the Contractor or his authorized representative. The Contractor shall carefully study and compare the General Contract Conditions of the Contract, Specification and Drawings, Scope of Work, Addenda and Modifications and shall at once report to the Owner any error, inconsistency or omission he may discover. Contractor shall not be liable to the Owner for any damage resulting from such errors, inconsistencies or omissions. The Contractor shall not commence work without clarifying Drawings, Specifications, or Interpretations.
- 2.36.3.** "Sub-Contractor is a person or organization who has a direct contract with the Contractor to perform any of the work at the site. The term sub-contractor is referred to throughout the contract documents and means a sub-contractor or his authorized representative.

3. Specifications and Special Conditions & Provisions

- 3.1. General:** The City of Grand Junction is accepting competitive pricing, from qualified and interested companies, to supply and deliver **fiber boxes and related materials that meet the specifications below for Fire Station 8.**

No installation is required for this purchase. This is a products/materials purchase only.

- 3.2. Specifications:** See Price Bid Schedule for product specifications.

3.3. Special Conditions & Provisions:

3.3.1 Materials Specifications Sheet: Bidders shall supply materials specifications sheets for all products proposed for bid, with their bid submittals.

3.3.2 Rejection of Products/Supplies: The City of Grand Junction reserves the right to return products/supplies due to product flaws and/or not meeting specifications. Judgment of non-conformity will be at the discretion of the City of Grand Junction Project Manager.

3.3.3 Delivery: State lead times on Bid Schedule.

3.3.4 Delivery Location: The order of materials shall be delivered to City of Grand Junction Traffic Building located at **333 West Ave, Building D, Grand Junction, CO 81501.**

3.3.5 Price: Pricing shall be all inclusive, to include, but not be limited to: labor, materials, shipping/freight, etc.

All prices shall be "F.O.B. Destination Freight Pre-Paid and Allowed". The Owner shall not pay nor be liable for any other additional costs including but not limited to: taxes, shipping charges, insurance, interest, penalties, termination payments, attorney fees, liquidated damages, etc.

3.3.6 Contract: A binding contract shall consist of: (1) the IFB and any amendments thereto, (2) the bidder's response (bid) to the IFB, (3) clarification of the bid, if any, and (4) the City's Purchasing Department's acceptance of the bid by "Notice of Award" or by "Purchase Order". All Exhibits and Attachments included in the IFB shall be incorporated into the contract by reference.

A. The contract expresses the complete agreement of the parties and, performance shall be governed solely by the specifications and requirements contained therein.

B. Any change to the contract, whether by modification and/or supplementation, must be accomplished by a formal contract amendment signed and approved by and between the duly authorized representative of the bidder and the City Purchasing Division or by a modified Purchase Order prior to the effective date of such modification. The bidder expressly and explicitly understands and agrees that no other method and/or no other document, including acts and oral communications by or from any person, shall be used or construed as an amendment or modification to the contract.

3.3.7 Packing Slips or Delivery Tickets: All shipments or deliveries shall be accompanied by Packing Slips or Delivery Tickets, and shall contain the following information for each item delivered:

- The purchase order number
- The name of the article and stock number
- The quantity ordered
- The quantity shipped
- The quantity back ordered
- The name of the vendor(s)

3.3.8 Brand Name or Equal: Whenever in this bid invitation any particular materials, process, mechanism, and/or equipment are indicated, described or specified by patent, proprietary, or brand name, or by name of manufacturer, such wording will be deemed to be used for the purpose of facilitating minimum acceptable requirements and will be deemed to be followed by the words, "or equal". Proof satisfactory to the Owner must be provided by Bidder to show that the alternative product/equipment/vehicle is in fact, equal to specification requirements.

The Owner has determined that the brand name, model name/numbers meets the specifications as stated in the solicitation documents. These manufacturer's references are not intended to be restrictive but descriptive of the type and quality the Owner desires to purchase. Bids for similar manufactured items of like quality

will be considered if the bid is fully noted with the manufacturer's brand name and model. The Owner reserves the right to determine products of equal value. Bidders will not be allowed to make unauthorized substitutions after award is made.

3.4. Attachments:

2436 Specification Sheet – [Attachment 1](#)

3048 Specification Sheet – [Attachment 2](#)

3.5. Contractor Bid Documents: For Contractor's convenience, the following is a list of forms/items to be submitted with the Contractor's bid response. However, should a form/item not be listed in this section, but required in the solicitation documents, it is the Contractor's responsibility to ensure all forms/items are submitted.

- **Contractor's Bid Form**
- **Price Bid Schedule**
- **Materials Specifications Sheets**

3.6. IFB Tentative Time Schedule:

- | | |
|--|---------------|
| • Invitation for Bids available | June 16, 2022 |
| • Inquiry deadline, no questions after this date | June 30, 2022 |
| • Addendum Posted | July 1, 2022 |
| • Submittal deadline for proposals | July 8, 2022 |
| • Contract execution | July 18, 2022 |

3.7. Questions Regarding Scope of Services:

Kassy Hackett, Buyer
kassyh@gjcity.org

4. Contractor's Bid Form

Bid Date: _____

Project: IFB-5090-22-KH "Fiber Boxes & Materials Purchase Only"

Bidding Company: _____

Name of Authorized Agent: _____

Email _____

Telephone _____ **Address** _____

City _____ **State** _____ **Zip** _____

The undersigned Bidder, in compliance with the Invitation for Bids, having examined the Instruction to Bidders, General Contract Conditions, Statement of Work, Specifications, and any and all Addenda thereto, having investigated the location of, and conditions affecting the proposed work, hereby proposes to furnish all labor, materials and supplies, and to perform all work for the Project in accordance with Contract Documents, within the time set forth and at the prices stated below. These prices are to cover all expenses incurred in performing the work required under the Contract Documents, of which this Contractor's Bid Form is a part.

The undersigned Contractor does hereby declare and stipulate that this offer is made in good faith without collusion or connection to any person(s) providing an offer for the same work, and that it is made in pursuance of, and subject to, all terms and conditions of the Instructions to Bidders, the Specifications, and all other Solicitation Documents, all of which have been examined by the undersigned.

The Contractor also agrees that if awarded the Contract, to provide insurance certificates within ten (10) working days of the date of Notification of Award. Submittal of this offer will be taken by the Owner as a binding covenant that the Contractor will be prepared to complete the project in its entirety.

The Owner reserves the right to make the award on the basis of the offer deemed most favorable, to waive any formalities or technicalities and to reject any or all offers. It is further agreed that this offer may not be withdrawn for a period of sixty (60) calendar days after closing time. Submission of clarifications and revised offers automatically establish a new thirty day (30) period.

Prices in the bid proposal have not knowingly been disclosed with another provider and will not be prior to award.

- Prices in this bid proposal have been arrived at independently, without consultation, communication or agreement for the purpose of restricting competition.
- No attempt has been made nor will be to induce any other person or firm to submit a bid proposal for the purpose of restricting competition.
- The individual signing this bid proposal certifies they are a legal agent of the offeror, authorized to represent the offeror and is legally responsible for the offer with regard to supporting documentation and prices provided.
- Direct purchases by the City of Grand Junction are tax exempt from Colorado Sales or Use Tax. Tax exempt No. 98-903544. The undersigned certifies that no Federal, State, County or Municipal tax will be added to the above quoted prices.
- City of Grand Junction payment terms shall be Net 30 days.
- Prompt payment discount of _____ percent of the net dollar will be offered to the Owner if the invoice is paid within _____ days after the receipt of the invoice. The Owner reserves the right to take into account any such discounts when determining the bid award that are no less than Net 10 days

RECEIPT OF ADDENDA: the undersigned Contractor acknowledges receipt of Addenda to the Solicitation, Specifications, and other Contract Documents.

State number of Addenda received: _____.

It is the responsibility of the Bidder to ensure all Addenda have been received and acknowledged.
By signing below, the Undersigned agree to comply with all terms and conditions contained herein.

Company: _____

Authorized Signature: _____

Title: _____

Bid Schedule: E2013 - GJFD Fire Station #8 Fiber Box Order

Item No.	CDOT, City Ref.	Description	Quantity	Units	Unit Price	Total Price
1	613	Fiber Box (24x36x24)	34.	EA	\$ _____	\$ _____
2	613	Fiber Box (30x48x24)	4.	EA	\$ _____	\$ _____
3	613	Split Lid (24x36) ("GJ COMM" Marking Plate)	32.	EA	\$ _____	\$ _____
4	613	Split Lid (24x36) ("GJ TRAFFIC" Marking Plate)	2.	EA	\$ _____	\$ _____
5	613	Split Lid (30x48) ("GJ COMM" Marking plate)	3.	EA	\$ _____	\$ _____
6	613	Split Lid (30x48) ("GJ TRAFFIC" Marking plate)	1.	EA	\$ _____	\$ _____
Bid Amount:						\$ _____

Bid Amount:

dollars

Lead Times:

2436

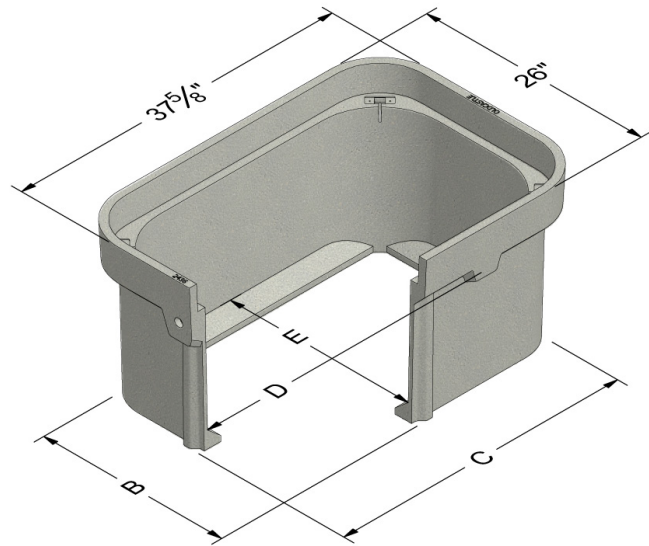
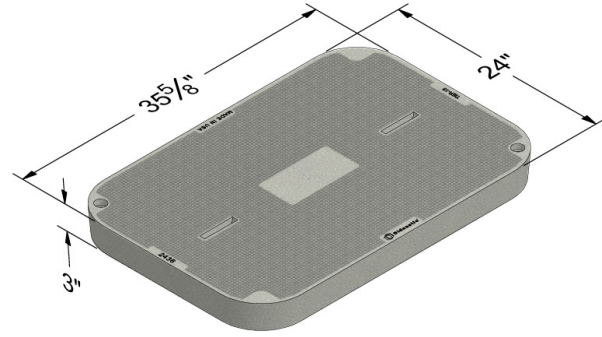
OLDCASTLE POLYMER

(formerly H-Series)

COVER

- Style: Flush Solid
- Material: Polymer Concrete
- Model: 24" x 36"
- Weight: Tier 15: 150 lbs.
Tier 22: 204 lbs.
- Std. Fasteners: 1/2-13 Stainless Steel Hex Head Bolt, Washer and Floating Nut
- Options: Logos and Special Markings
- Surface: Slip Resistant
- Performance: ANSI/SCTE-77, Tier 15 or Tier 22*

Cover comes standard with permanent markings for manufacturer, load rating, model size and manufacturing location.




BODY

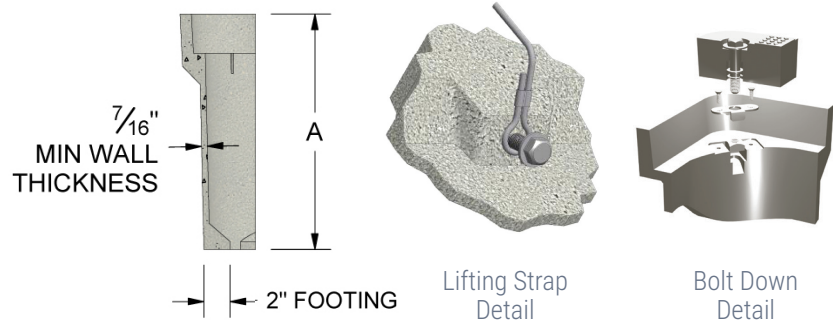
- Material: Polymer Concrete
- Model: 24" x 36"
- Weight: 18" Depth: 142 lbs.
24" Depth: 175 lbs.
36" Depth: 242 lbs.
- Wall Type: Straight
- Performance: ANSI/SCTE-77 Tier 22

LOAD RATING / NOTES

 MEDIUM DUTY
ANSI/SCTE TIER 15

 HEAVY DUTY
ANSI/SCTE TIER 22

For use in non-vehicular traffic situations only. Weights and dimensions may vary slightly. Actual load rating is determined by the box and cover combination.



	A	B	C	D	E
2436-18	18	23-5/8	35-1/4	33-3/15	21-9/16
2436-24	24	23-3/8	34-15/16	32-13/16	21-5/16
2436-30	30	23-1/2	35-1/8	32-3/4	21-1/8
2436-36	36	23-3/16	34-11/16	32-7/16	20-15/16

* Based upon lid and body combination, this unit can be Tier 15 or Tier 22. T22 rating when paired with T22 polymer concrete lid.

2436

OLDCASTLE POLYMER

(formerly H-Series)

COVER OPTIONS

Oldcastle Polymer, Flush Solid

Oldcastle Polymer, Flush 2-Piece

Oldcastle Polymer, Flush Pedestal Provision

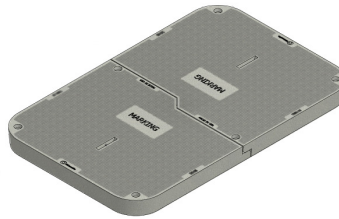
Steel, Solid



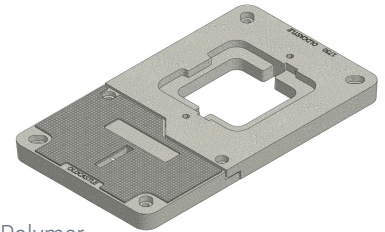
Polymer
Solid



Steel
Solid



Polymer
2-Piece



Polymer
Pedestal Provision

FASTENER OPTIONS

Hex Head Bolt (A)

Penta Head Bolt (B)

Penta Head Coil Thread Bolt (B)

Oldcastle Vandal Resistant Bolt (C)

Captive Bolt Retainer



Standard Thread



A



B



C



Coil Thread



Bolt Retainer
(for standard thread)

ADD ON OPTIONS

EMS Marker

Mouseholes/Knockouts

Rack Mount

Cable Racks/Cable Arms

Unistrut

Pulling Eye - 1,000 lb and 3,000 lb

Ground Buss

Dividers

Racking Provision

Lid Gaskets*

Solid Bottom

Custom Marking Plate (Polymer)



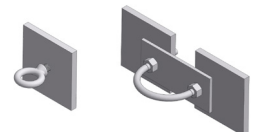
Rack Mount



Cable Rack
Cable Arm



Unistrut



Pulling Eye



EMS Marker



Ground Bus

* Lid Gaskets inhibit water flow into the box, they do not make enclosure fully waterproof.

WARNING: Cancer - www.P65Warnings.ca.gov

All information contained on this sheet is current at the time of publication.
Oldcastle reserves the right to discontinue or update product information without notice.

Revision 11/09/18
© 2018 Oldcastle Infrastructure

3048

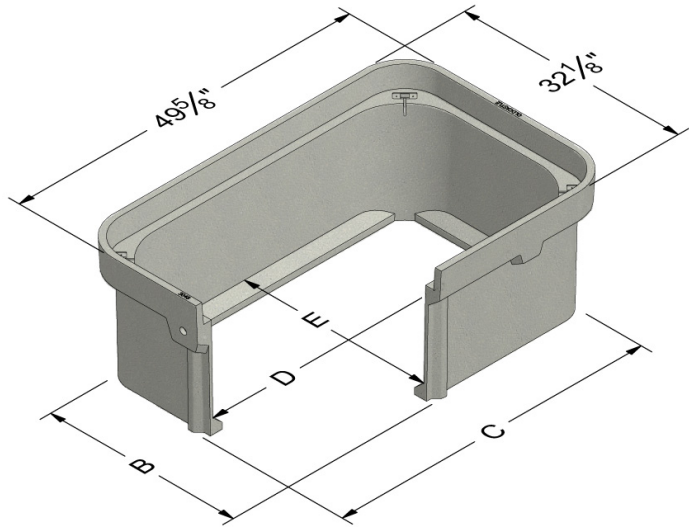
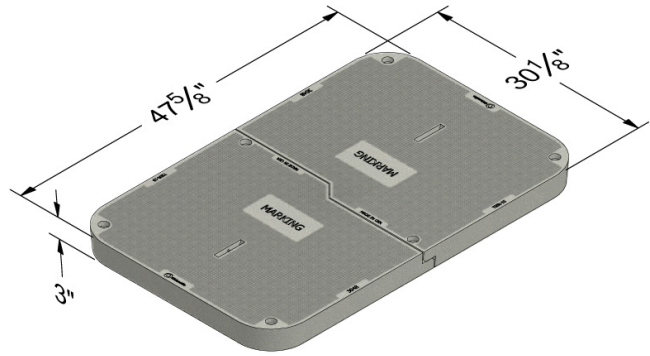
OLDCASTLE POLYMER

(formerly H-Series)

COVER

- Style: Flush 2-Piece
- Material: Polymer Concrete
- Model: 30" x 48"
- Weight: Tier 15: 110 lbs. (per half)
Tier 22: 169 lbs. (per half)
- Std. Fasteners: 1/2-13 Stainless Steel Hex Head Bolt, Washer and Floating Nut
- Options: Logos and Special Markings
- Surface: Slip Resistant
- Performance: ANSI/SCTE-77, Tier 15 or Tier 22*

Cover comes standard with permanent markings for manufacturer, load rating, model size and manufacturing location.



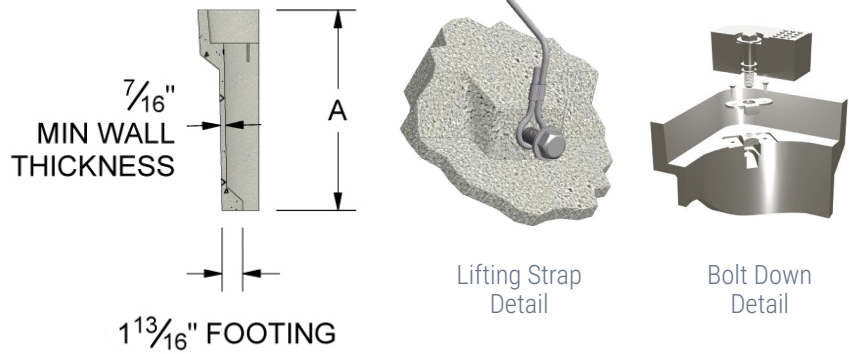
BODY

- Material: Polymer Concrete
- Model: 30" x 48"
- Weight: 18" Depth: 179 lbs.
24" Depth: 223 lbs.
36" Depth: 307 lbs.
- Wall Type: Straight
- Performance: ANSI/SCTE-77 Tier 22

LOAD RATING / NOTES

- MEDIUM DUTY
ANSI/SCTE TIER 15
- HEAVY DUTY
ANSI/SCTE TIER 22

For use in non-vehicular traffic situations only. Weights and dimensions may vary slightly. Actual load rating is determined by the box and cover combination.



	A	B	C	D	E
3048-18	18	29-7/16	46-15/16	44-1/2	27
3048-24	24	29-5/16	46-13/16	44-1/4	26-3/4
3048-36	36	29	46-1/2	44-1/8	26-5/8

* Based upon lid and body combination, this unit can be Tier 15 or Tier 22. T22 rating when paired with T22 polymer concrete lid.

3048

OLDCASTLE POLYMER

(formerly H-Series)

COVER OPTIONS

Oldcastle Polymer, Flush Solid

Oldcastle Polymer, Flush 2-Piece

Oldcastle Polymer, Flush Pedestal Provision

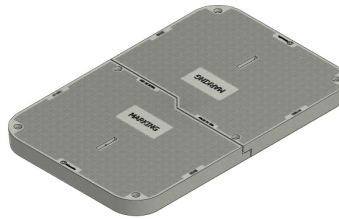
Steel, Solid



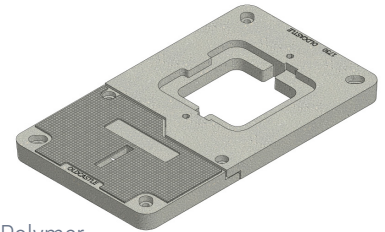
Polymer
Solid



Steel
Solid



Polymer
2-Piece



Polymer
Pedestal Provision

FASTENER OPTIONS

Hex Head Bolt (A)

Penta Head Bolt (B)

Penta Head Coil Thread Bolt (B)

Oldcastle Vandal Resistant Bolt (C)

Captive Bolt Retainer



Standard Thread



A



B



C



Coil Thread



Bolt Retainer
(for standard thread)

ADD ON OPTIONS

EMS Marker

Mouseholes/Knockouts

Rack Mount

Cable Racks/Cable Arms

Unistrut

Pulling Eye - 1,000 lb and 3,000 lb

Ground Buss

Dividers

Racking Provision

Lid Gaskets*

Solid Bottom

Custom Marking Plate (Polymer)



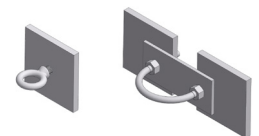
Rack Mount



Cable Rack
Cable Arm



Unistrut



Pulling Eye



EMS Marker



Ground Bus

* Lid Gaskets inhibit water flow into the box, they do not make enclosure fully waterproof.

WARNING: Cancer - www.P65Warnings.ca.gov

All information contained on this sheet is current at the time of publication.
Oldcastle reserves the right to discontinue or update product information without notice.

Revision 11/09/18
© 2018 Oldcastle Infrastructure