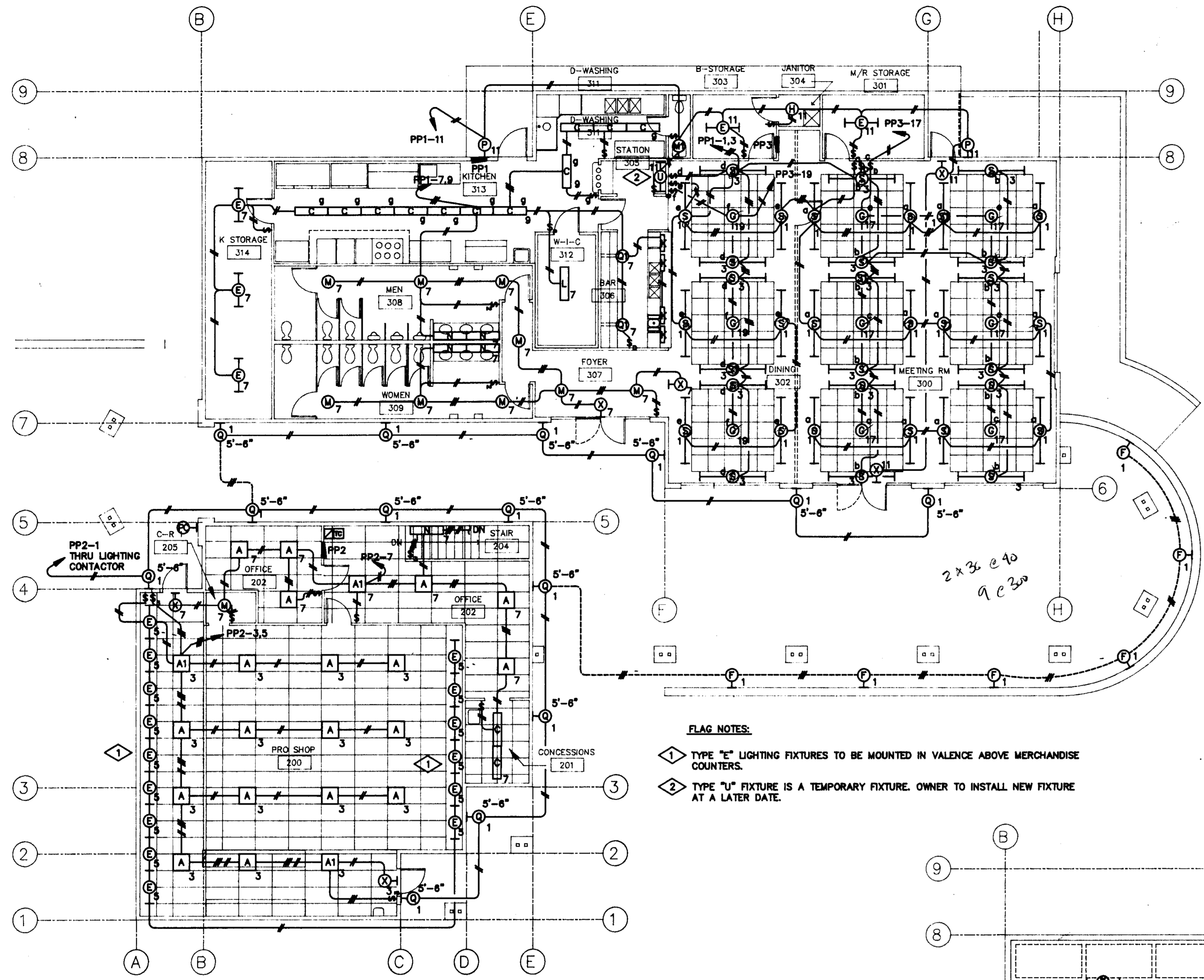
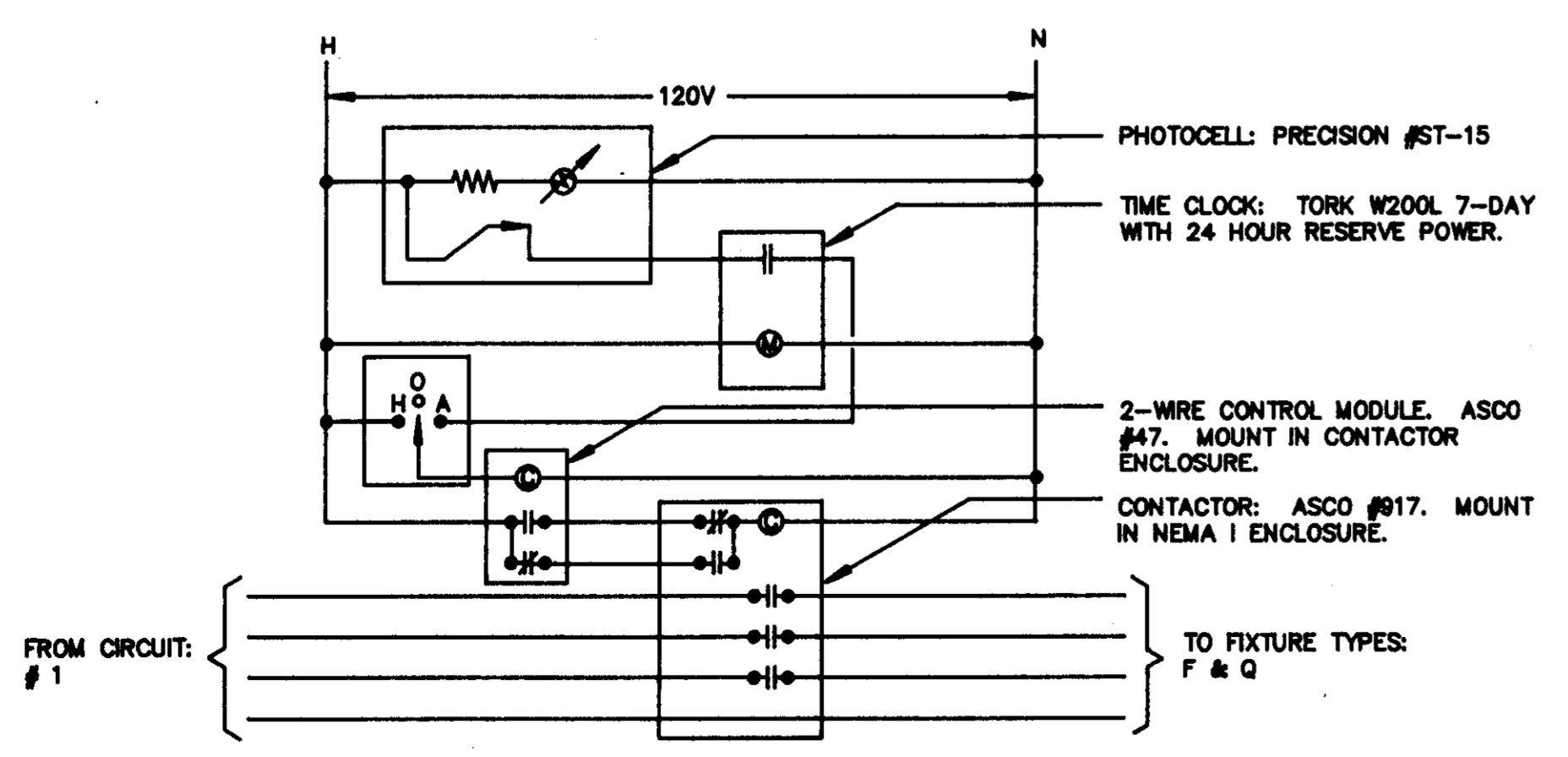


LIGHTING FIXTURE SCHEDULE				
DESIGNATION	MANUFACTURER CATALOG NUMBER	VOLTAGE MOUNTING # OF LAMPS	BALLAST CATALOG NUMBER LAMP TYPE LAMP CATALOG NUMBER	DESCRIPTION
A	LITHONIA 2PMO G3 CF40 12LS 120	120 RECESSED 3	HIGH POWER FACOTR FLUORESCENT F40BX/SP30/RS	24" W X 24" L X 6" H TROFFER WITH 12 CELL PARABOLIC LOUVER. ENERGY EFFICIENT BALLAST & 3000K LAMPS.
A1	LITHONIA 2PMO G3 CF40 12LS 120	120 RECESSED 3	HIGH POWER FACTOR FLUORESCENT F40BX/SP30/RS	24" W X 24" L X 6" H TROFFER WITH 12 CELL PARABOLIC LOUVER. ENERGY EFFICIENT BALLAST & 3000K LMPs WITH B30 BODINE BLST
B	LITHONIA LP ROSA	120 CEILING RECESS 1	NONE INCANDESCENT 150A	6 5/8" DIA X 9" H DOWNLIGHT WITH SPECULAR CLEAR ALZAK REFLECTOR.
C	LITHONIA DM 248HO 120 ES	120 CEILING 2	820-LH-TC-P FLUORESCENT F48T12/SP30/HO	8-1/8" W X 48" L X 5-5/8" H DAMP LOCATION GASKETED FIXTURE W/ CLEANABLE ACRYLIC DIF ENERGY EFFICIENT BALLAST & 3000K LAMPS
C1	LITHONIA DM 248HO 120 ES	120 CEILING 2	820-LH-TC-P FLUORESCENT F48T12/SP30/HO	8-1/8" W X 48" L X 5-5/8" H DAMP LOCATION GASKETED FIXTURE W/ CLEANABLE ACRYLIC DIF ENGR EFF & B-30 BODINE BLST & 3000K LAMPS
E	LITHONIA C24O 120 ES	120 CEILING SURF 2	446-L-SLH-TC-P FLUORESCENT F40SP30	4 3/16" W X 48" L X 3 3/4" H STRIP WITH 3000K LAMPS & ENERGY EFFICIENT BALLAST.
F	DEVINE F815V-12-F-120	120 WALL MH-16" CL 2	STANDARD WITH FIXTURE FLUORESCENT F8T12/WW	13 1/4" W X 4 1/8" D X 7 1/8" H RECESS FIXTURE WITH BRONZE FINISH. TEMPERED DIFFUSED GLASS LENS & UL WET LABEL.
G	HOLOPHANE CL240S1M1H	120 SURFACE PS-25 300W	NONE INCANDESCENT	PRISMATIC GLASS SHADED PENDANT MOUNTED FIXTURE WITH A 21 1/4" W X 10 3/8" H SHADE.
H	LEWITON 9875	120 SURFACE	NONE INCANDESCENT 100A	PORCELAIN LAMPHOLDER
K	LITHONIA UC 24 120 LPWW SWR	120 UNDER CUPBOARD 2	STANDARD WITH FIXTURE FLUORESCENT F8T12/WW	5" W X 24" L X 1 1/8" H UNDER CABINET WORK LIGHT WITH ACRYLIC LENS, WARM WHITE LAMPS AND ROCKER SWITCH.
L	LITHONIA DM248HO120ES	120 SURFACE 2	NONE FLUORESCENT F48T12CW/HO	5-5/8" W X 8-1/8" W X 50" L MOISTURE RESISTANT FIXTURE WITH GASKETED ACRYLIC DIFFUSER. STD LAMPS AND ENRG SAV BALLAST
M	PRESCOLITE CFR813-572 HPF	120 CEILING RECESS 2	HIGH POWER FACTOR FLUORESCENT F13BX/SPX30	9" DIA X 8 1/2" H DOWNLIGHT WITH SEGULAR CLEAR ALZAK REFLECTOR. ENCASED & POTTED BALLAST, 3000K LAMPS THERMALLY PROTECTED.
M1	PRESCOLITE 9380	120 WALL MH 80" CL 2	NONE INCANDESCENT	14" L X 4 5/8" W X 4" H WALL LIGHT WITH U-CHANNEL ETCHED WHITE GLASS.
N	LITECONTROL WD68N24RSPBSS	120 WALL SURFACE 2	446-L-SLH-TC-P FLUORESCENT F40SP30	5 3/4" W X 48" L X 6" H DIRECT/INDIRECT WITH ALUMINUM LOUVER, ENERGY BALLAST & 3000K LAMPS. COLOR SELECTED BY ARCHITECT.
N1	LITECONTROL WD68N24RSPBSS	120 WALL SURFACE 2	446-L-SLH-TC-P FLUORESCENT F40SP30	5 3/4" W X 48" L X 6" H DIRECT/INDIRECT WITH ALUMINUM LOUVER, ENRG & B-30 BODINE BLAST & 3000K LAMPS. COLOR BY ARCHITECT
P	HUBBEL NRG-121-PC	120 WALL SURFACE 1	WITH FIXTURE HIGH PRESSURE SODIUM LU50/MED	8 3/4" H X 6 7/8" D X 8 3/4" H PHOTOGR. LENSED FIXTURE WITH PHOTO CELL INSTALLED. WET LOCATION LABEL.
Q	ARROYO CRAFTSMAN MB-12TCS	120 WALL - 5"-6" 1	NONE INCANDESCENT 60A	SOUTHWESTERN STYLE WALL SCONCE. SOLID BRASS FIXTURE WITH ART GLASS SIDE PIECES AND WET LOCATION LABEL.
Q1	ARROYO CRAFTSMAN MB-12TCS	120 WALL CLG 7" TO 8" 1	NONE INCANDESCENT 100A	SOUTHWESTERN STYLE CEILING MNT. SOLID BRASS FIXTURES WITH ART GLASS SIDE PIECES
S	LITHONIA 8TC140120ESTILW	120 COVE 2	573-L-TC-P FLUORESCENT F40 SP30	4" X 96" X 4" SINGLE TUBE STRIP LIGHT WITH 3000K LAMPS AND ENERGY EFF BALLAST. MOUNTED IN COVE FOR INDIRECT LIGHTING.
S1	LITHONIA 8TC140120ESTILW	120 COVE 2	573-L-TC-P FLUORESCENT F40 SP30	4" X 96" X 4" SINGLE TUBE STRIP LIGHT / 3000K LAMPS & ENRG EFF & B-30 BOD. BLST MOUNTED IN COVE FOR INDIRECT LIGHTING.
U	LITHONIA C 140 120 SLP	120 CEILING SURF 1	412-L-TC-P FLUORESCENT F30SP30	4 3/16" W X 36" L X 3 3/4" H STRIP WITH STANDARD BALLAST AND 3000K LAMPS.
X	LITHONIA ELE S16 120 ELN	120 SURFACE 0	NONE ELECTROLUMINESCENT	EXIT: GREEN LETTERS; SINGLE STENCIL FACE. BRUSHED ALUMINUM. UNIVERSAL MOUNTING CHANG. ARROWS & BACK-UP BATTERY.
X1	LITHONIA ELU-2	120 WALL SURFACE 2	NONE INCANDESCENT PAR-36	EMERGENCY EGRESS FIXTURE WITH TWO HEADS. LEAD-CALCIUM BATTERIES. TEST SWITCH AND READY LIGHT STANDARD.

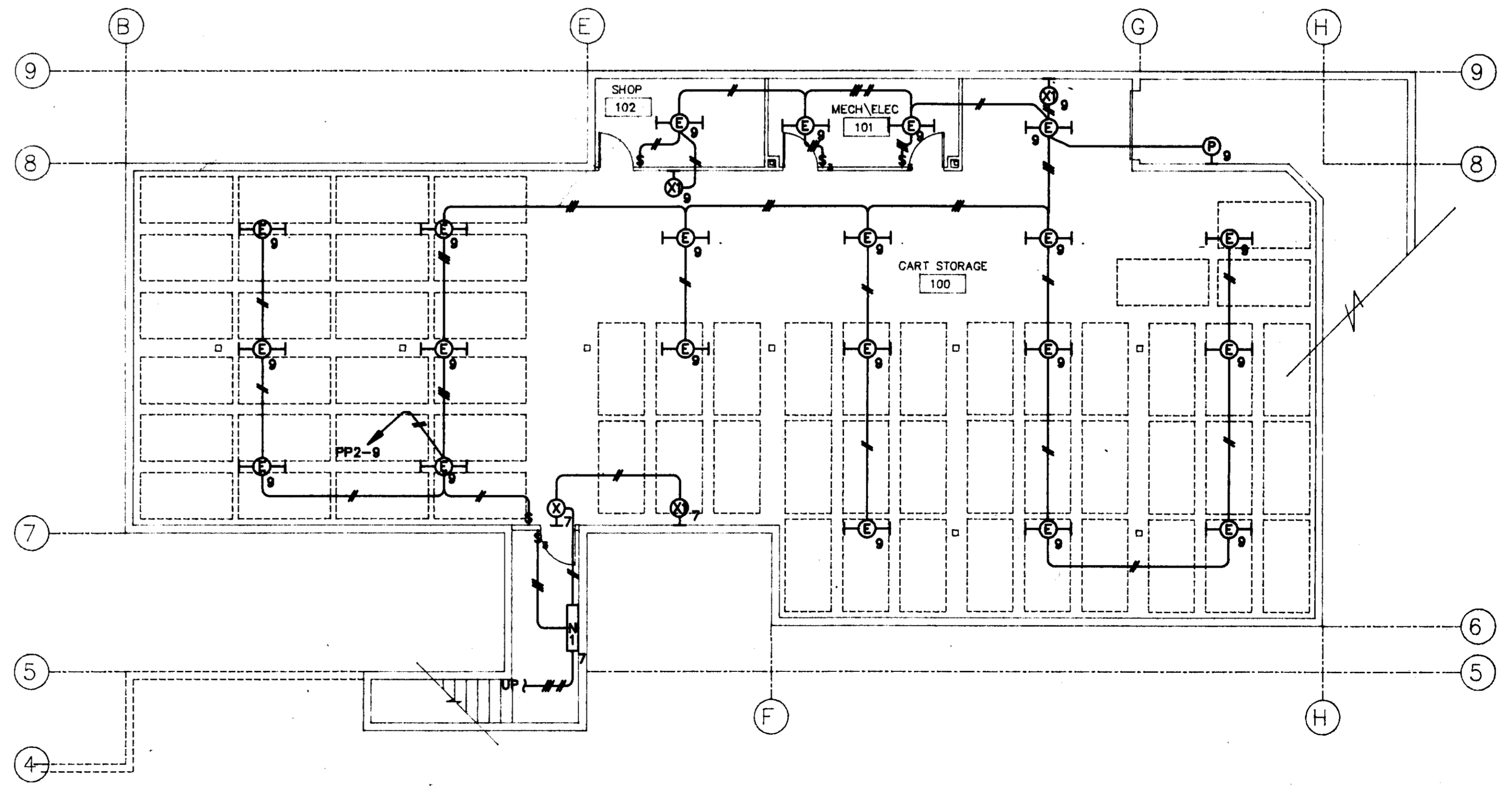


UPPER LEVEL LIGHTING PLAN
1/8" = 1'-0"

- FLAG NOTES:
- ① TYPE "E" LIGHTING FIXTURES TO BE MOUNTED IN VALENCE ABOVE MERCHANDISE COUNTERS.
 - ② TYPE "U" FIXTURE IS A TEMPORARY FIXTURE. OWNER TO INSTALL NEW FIXTURE AT A LATER DATE.



SCHEMATIC WIRING DIAGRAM
EXTERIOR LIGHTING CONTROL
NO SCALE



BASEMENT LEVEL LIGHTING PLAN
1/8" = 1'-0"