

**ROOFTOP A/C UNIT SCHEDULE**

DESIG	AREA SERVED	CFM @ 4850FT	EXT S P @ S L	MIN CKT AMP	COMPRESSOR			CONDENSER			EVAP FAN			UNIT	MANUFACTURE & MODEL NO	HTG INPUT MBH @ S/L /AFUE	COOLING CAP MBH /SEER	NOTES				
					NO	RLA	φ	VOLT	NO	RLA	φ	VOLT	NO						HP	φ	VOLT	
AC-1	EXISTING	1950											3	208	AMER-STAND/TRANE YC0048			1,2				
AC-2	NEW ADDITION	1875	70	23	1	12.5	3	208	1	6.6	1	208	5.0	3	208	1	3	208	TSC048A**D2A	120/81	44.7/10.0	1,3

- NOTES**
- CONDITIONS 105° AMBIENT 80°DB/61°WB ENT. EVAPORATOR 30%UA
  - CLEAN COILS, REPLACE FILTER, VERIFY OPERATION AND PROVIDE A NEW PROGRAMMABLE AUTOMATIC CHANGE OVER THERMOSTAT, WITH 4 REMOTE SENSORS
  - PROVIDE ECONOMIZER, HAIL GUARD, CURB BAROMETRIC RELIEF, BELT DRIVE MOTOR, HINGED ACCESS PANELS, THROUGH THE BASE ELECTRICAL WITH A POWERED RECEPTACLE AND DISCONNECT, HIGH PRESSURE CONTROL, CRANK CASE HEATER AND FREEZE STAT AUTOMATIC CHANGE OVER THERMOSTAT WITH 4 REMOTE SENSORS

**EXHAUST FAN SCHEDULE**

DESIG	CFM	S P	SONES	RPM	AMPS	φ	VOLT	MANUFACTURER & MODEL NUMBER	MOUNTING BY	POWERED BY	NOTES
1	165	25	3.1	1400	1.3	1	115	GREENHECK SP-218	CEILING	LOCAL SWITCH	1

- 1 REPLACE EXISTING UNIT AND RECONNECT ELECTRICAL AND DUCTING

**AIR DEVICE SCHEDULE**

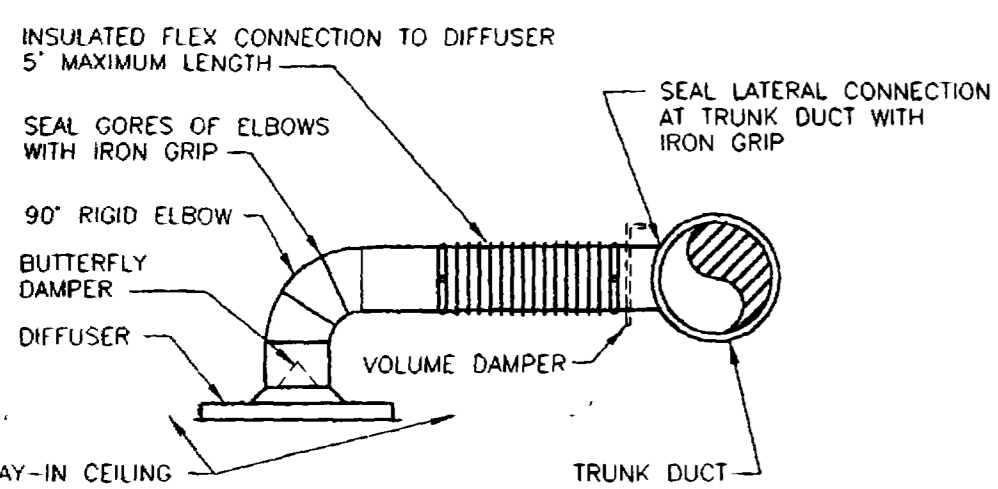
DESIG	TYPE OF INSTALLATION	MANUFACTURER & MODEL NUMBER	CONNECTION SIZE	ACCESSORIES	PANEL OR FACE SIZE	NOTES
A	LAY-IN CEILING	TITUS OMNI	8"φ	O.B.D	24x24	
R-1	LAY-IN CEILING	TITUS OMNI	15"φ		24x24	
B	SIDEWALL	TITUS 1700	12"x12"		13"x13"	1

- 1 MOUNT ON BOTH SIDES OF WALL 4" BELOW CEILING AND 5" ABOVE FLOOR, FOR COMBUSTION AND VENTILATION AIR

**UNIT HEATER SCHEDULE**

DESIG	MOUNTING	HEAT CAPACITY	CFM	AMPS	φ	VOLTS	MANUFACTURE AND MODEL NUMBER	NOTES
UH-1	SEMI-RECESSED	3KW	100	14.4	1	208	BERCO FRC-4024	1
UH-2	SEMI-RECESSED	3KW	100	14.4	1	208	BERCO FRC-4024	1
UH-3	SEMI-RECESSED	3KW	100	14.4	1	208	BERCO FRC-4024	1

- 1 PROVIDE RECESSED METAL WALL BOX, MOUNTING FRAME AND SELF CONTAINED THERMOSTAT

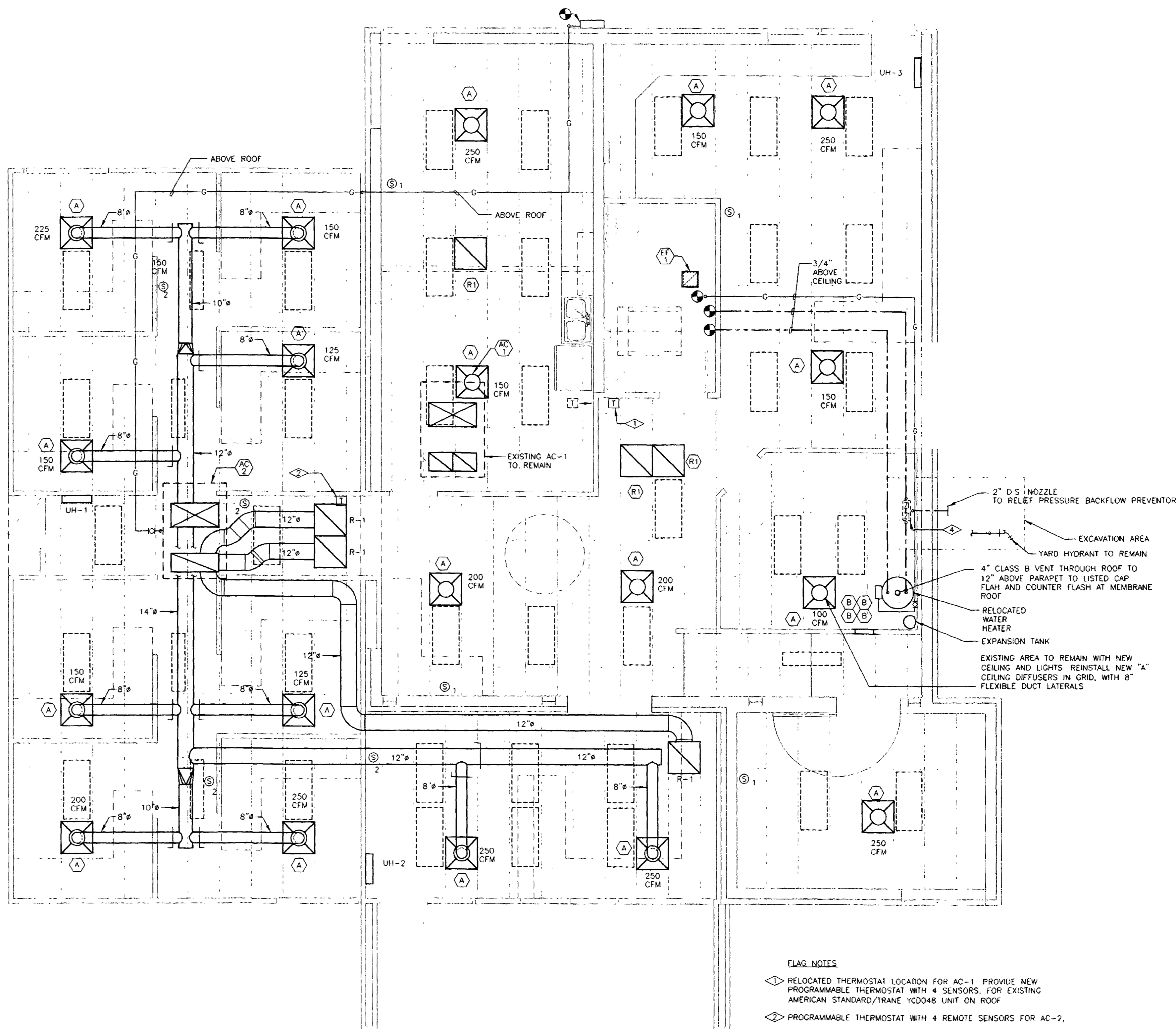


**DIFFUSER FLEX CONNECTION**

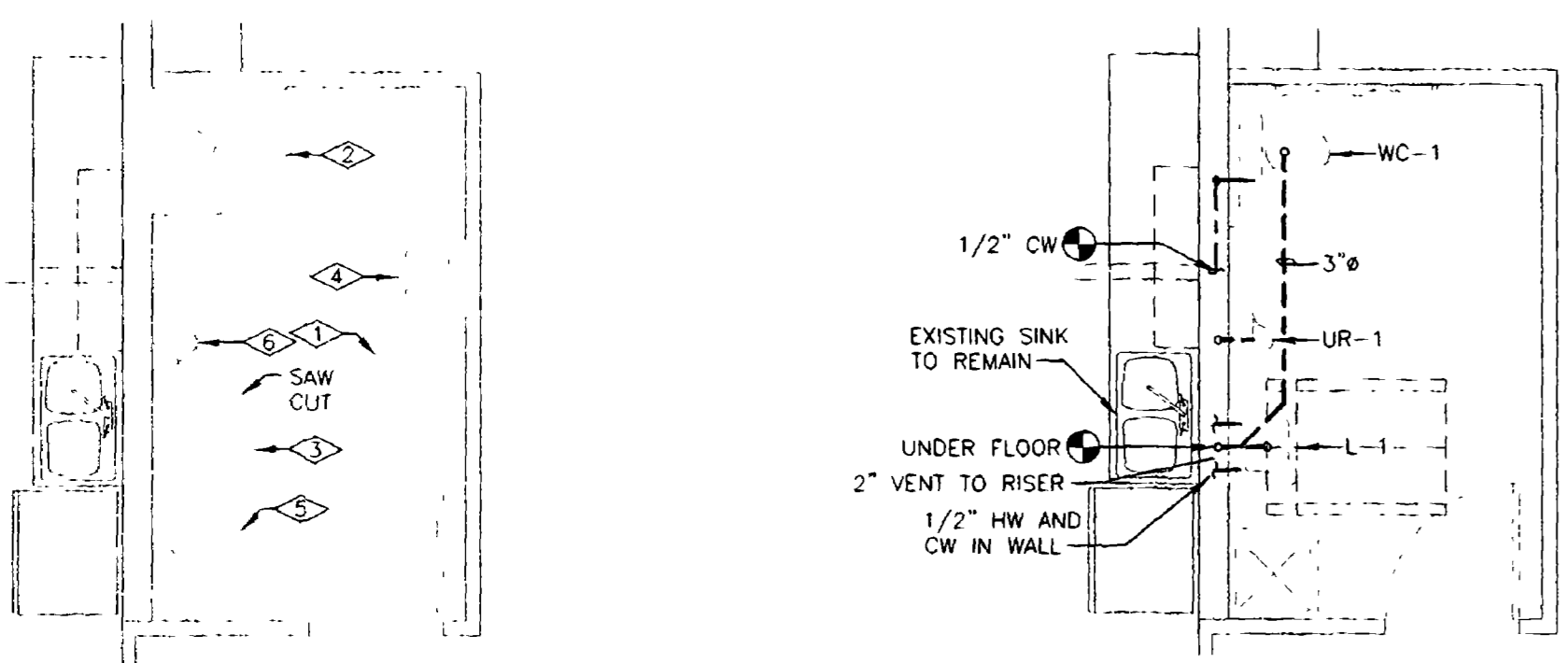
NTS

**SYMBOL LEGEND**

- CW DOMESTIC COLD WATER
- HW DOMESTIC HOT WATER
- S- SANITARY SEWER
- G- NATURAL GAS
- ⊠ THERMOSTAT
- POINT OF CONNECTION NEW TO EXISTING
- ⊠ TURNING VANES - SHOWN IN 90° ELBOW
- FLEXIBLE CONNECTION
- MANUAL VOLUME DAMPER



- FLAG NOTES**
- ◇ RELOCATED THERMOSTAT LOCATION FOR AC-1. PROVIDE NEW PROGRAMMABLE THERMOSTAT WITH 4 SENSORS, FOR EXISTING AMERICAN STANDARD/TRANE YC0048 UNIT ON ROOF
  - ◇ PROGRAMMABLE THERMOSTAT WITH 4 REMOTE SENSORS FOR AC-2.
  - ◇ RUN 12" DUCT TO AC-1 FROM R-1
  - ◇ PROVIDE ON WATER SERVICE ENTRANCE A 1" WATTS ODSOT REDUCED PRESSURE BACKFLOW PREVENTER, A 1" WATTS US PRIV SET AT 50 PSI AND A WATTS DET-5 EXPANSION TANK



**RESTROOM DETAIL**

1/4"=1'-0"

**RESTROOM DETAIL DEMOLITION PLAN**

1/4"=1'-0"

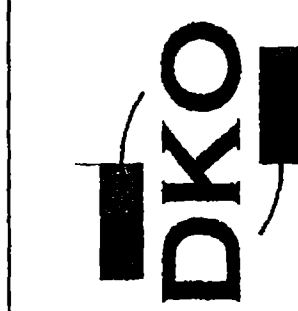
- FLAG NOTES**
- ◇ RELOCATE NATURAL GAS WATER HEATER TO UTILITY ROOM
  - ◇ REMOVE SHOWER AND SUPPLIES
  - ◇ REMOVE WATER CLOSET AND SUPPLIES
  - ◇ REMOVE LAVATORY AND SUPPLIES
  - ◇ SERVICE SINK TO REMAIN, CLEAN
  - ◇ URINAL TO BE REPLACED

**MECHANICAL PLAN**

1/4"=1'-0"

duplicate, produced, or otherwise used without the written consent of DKO Architecture, PC

ARCHITECTURE, PC  
336 MAIN STREET, SUITE 209  
GRAND JUNCTION, CO 81505  
970.256.9782 FAX 970.256.1011



**ENGINEERING LAB REMODEL**  
CITY OF GRAND JUNCTION  
GRAND JUNCTION, CO

Phase	Date
CD	26MAR02
Δ	
Δ	
Δ	
Δ	

Project No 011 / Drawn by JFC/WF

**MECHANICAL PLAN**

**M1.1**

AMERICAN STANDARD INC.  
THE TRANE COMPANY  
ST. SMITH, AR 72903

NRTL

MODEL NO. YCC048F3H0BD  
SERIAL NO. M04429C2H  
DATE OF MFG. 01/97  
ELECTRICAL RATING 208-230/60/3  
MIN/MAX OPER. VOLT 187 / 253  
MAX HACR CKT BRK 40  
MAX CKT BRK (CANADIAN INST) 40  
CONTROL CKT VOLT 24 VAC  
MIN CKT AMP 26.8  
MAX FUSE SIZE 40  
MIN TEST PRESSURE: HIGH 300 LOW 150 PSIG  
BR. CKT. SEL. CUR. -

FORCED AIR FURNACE WITH  
COOLING UNIT, FOR CEILING  
INSTALLATION ONLY

THIS UNIT SHOULD BE INSTALLED  
AND REGULARLY MAINTAINED IN  
ACCORDANCE WITH THE SERVICE  
LITERATURE MANUAL(S).

COMPR	QTY	PH	HZ	RLA	LRA
#1	1	3	60	14.2	101
#2					

YCC-IOM-1E  
32-5008-01

ANSI Z21.47  
CENTRAL FURNACE

INTERNALLY PROTECTED COMPRESSOR

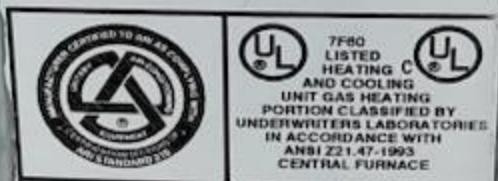
FAN	QTY	PH	HZ	FLA	HP
COND	1	1	60	3.9	1/2
EVAP	1	1	60	5.1	3/4
EXHAUST	1	1	60		1/35

QTY REFRIG CKTS  
FACTORY CHARGED  
CKT#1 8.0 LBS R134A  
CKT#2 LBS R134A

HEATING INPUT BTUH 100,000 125,000  
HEATING OUTPUT BTUH 80,000 100,000  
ORIFICE DRILL SIZE 44 42  
ALTITUDE SPECIFICATIONS 0-4500 FT 0-2000 FT  
FACTORY EQUIPPED FOR \*

MAX EXT S.P. INCHES W.C. 0.45  
TEMP RISE 45-75 DEG F  
DESIGNED MAX OUTLET AIR TEMP. 175 DEG F  
MAX GAS SUPPLY PRESS IN. W.C. 10.5 FOR NATURAL GAS  
MIN GAS SUPPLY PRESS IN. W.C. 7.0 MIN AMBIENT TEMP -40  
MANIFOLD PRESS INCHES W.C. 3.5

CLEARANCES TO COMBUSTIBLE MATERIAL (INCHES): TOP 36 IN.  
L.SIDE 6 R.SIDE 6 FRONT 12 BACK 1 FOR INSTALLATION ON  
COMBUSTIBLE FLOORING OR CLASS A, B, OR C ROOF COVERING MATERIAL  
MADE IN U.S.A. 21C922222P01



7F80 LISTED HEATING COOLING AND COOLING UNIT GAS HEATING BY PORTION CLASSIFIED BY UNDERWRITERS LABORATORIES IN ACCORDANCE WITH ANSI Z21.47-1993 CENTRAL FURNACE

YCC, YCY, YCZ 300, 400 C064277P01

**FOR YOUR SAFETY**  
DO NOT STORE OR USE GASOLINE OR OTHER FLAMMABLE VAPORS AND LIQUIDS IN THE VICINITY OF THIS OR ANY OTHER APPLIANCE  
THIS FURNACE MUST BE INSTALLED IN ACCORDANCE WITH THE MANUFACTURER'S INSTRUCTIONS AND LOCAL CODES IN THE ABSENCE OF LOCAL CODES

THE TRANE COMPANY  
 A DIVISION OF AMERICAN STANDARD INC.  
 LYNN HAVEN, FL 32444

MODEL NO. YSC048A3RHA0SD201A1000600 B

SERIAL NO. 233100103L

DATE OF MFG. 08/2002  
 ELECTRICAL RATING 208 - 230/60/3  
 MIN/MAX OPER. VOLT 187/253  
 MIN CKT AMP 25.2  
 MFS/ + MCB 35  
 MOP NA  
 CONTROL CKT. VOLTS 24 VAC



83UF

LISTED COOLING PORTION OF  
 HEATING AND COOLING UNIT.  
 GAS HEATING PORTION CLASSIFIED BY UNDERWRITERS  
 LABORATORIES INC. IN ACCORDANCE WITH  
 ANSI Z21.47a - 1999

FORCED AIR FURNACE WITH  
 COOLING UNIT, FOR OUTDOOR  
 INSTALLATION ONLY.

THIS UNIT SHOULD BE INSTALLED  
 AND REGULARLY MAINTAINED IN  
 ACCORDANCE WITH THE SERVICE  
 LITERATURE MANUAL.

PREC-UM - 1 & PREC-UM - 2

MINIMUM TEST PRESSURE HIGH 278 LOW 144 PSIG  
 COMP QTY PH HZ RLA - VOLTS LRA

#1	1	3	60	14.6/208	91
----	---	---	----	----------	----

FAN COND	QTY	PH	HZ	FLA - VOLTS	HP
EVAP STANDARD	1	1	60	2.0/208	0.33
EVAP OVERSIZE	N/A	N/A	N/A	N/A	N/A

FACTORY  
 CKT#1 3.00 AMP

SCRATCH INK OFF SQUARE WHEN OVERSIZE MOTOR IS INSTALLED

HEATING INPUT BTUH  
 HEATING OUTPUT BTUH  
 MIN INPUT BTU PER HOUR  
 MAX INPUT BTU PER HOUR

120000  
 96000

FOR NATURAL GAS  
 MIN AMBIENT TEMP