



Invitation for Bid

IFB-5268-23-KF

Persigo WWTP Sidewalk Replacement Project

Responses Due:

August 16, 2023, prior to 2:00 p.m. MDT

Accepting Electronic Responses Only
Responses Only Submitted Through the
Rocky Mountain E-Purchasing System (RMEPS)
www.bidnetdirect.com/colorado

(Purchasing Agent does not have access or control of the Vendor side of RMEPS. If website or other problems arise during response submission, Contractor MUST contact RMEPS to resolve issue prior to the response deadline 800-835-4603)

All City solicitation openings will be held virtually.

Purchasing Agent:

Kathleen Franklin, Senior Buyer

kathleenf@gjcity.org

970-244-1513

Invitation for Bid

Table of Contents

Section 1.0	Instructions to Bidders
Section 2.0	General Contract Conditions
Section 3.0	Statement of Work
Section 4.0	Contractor's Bid Form
	Bid Schedule Form
	Appendices:
	Appendix A – Project Submittal Form
	Appendix B – Construction Drawings

1.0 Instructions to Bidders

It is the Contractor's responsibility to read and review all solicitation documentation in its entirety, and to ensure that it has a clear and complete understanding of not only the scope, specifications, project requirements, etc., but also all other requirements, instructions, rules, regulations, laws, conditions, statements, procurement policies, etc. that are associated with the solicitation process and project/services being solicited.

- 1.1. **Issuing Office:** Invitation for Bid (IFB) is issued by the City of Grand Junction. All contact regarding this IFB is to be directed to:

Kathleen Franklin, Senior Buyer
kathleenf@gjcity.org

With the exception of Pre-Bid or Site Visit Meeting(s) all questions, inquiries, comments, or communication pertaining to this solicitation (whether process, specifications, scope, etc.) must be directed (in writing) to the Purchasing Agent. Other communication may result in disqualification.

- 1.2. **Non-Mandatory Pre-Bid Meeting:** Interested Contractors are strongly encouraged to attend a non-mandatory pre-bid meeting on **August 3, 2023, at 9:00 a.m.** Meeting location will be the **Persigo Wastewater Treatment Plant** Administration Building, Training Room, located at 2145 River Rd, Grand Junction, CO 81505. The purpose of this site visit meeting will be to inspect and clarify the contents of this Invitation for Bid (IFB). *Nothing stated during this site visit meeting will modify the solicitation. Only information provided in an addendum can modify the IFB.*
- 1.3. **Purpose:** The City of Grand Junction, Colorado is soliciting competitive bids from qualified and interested Contractors for all labor, equipment, materials, and supplies required for the Persigo Wastewater Treatment Plant (WWTP) Sidewalk Replacement Project. All dimensions and Scope of Work should be verified by Contractors prior to submission of bids.
- 1.4. **The Owner:** The Owner is the City of Grand Junction, Colorado and is referred to throughout this Solicitation. "Owner" means the Owner or authorized representative(s).
- 1.5. **Compliance:** All Bidders, by submitting a bid, agree to comply with all conditions, requirements, and instruction of this IFB as stated or implied herein. Should the Owner omit anything which is necessary to the clear understanding of the requirements, or should it appear that various instructions are in conflict, the Bidder(s) shall secure instructions from the Purchasing Agent prior to submittal deadline.
- 1.6. **Procurement Process:** The current version of the City of Grand Junction [Purchasing Policy and Procedure Manual](#) is contracting and applies to this solicitation.
- 1.7. **Submission:** *Each bid shall be submitted in electronic format only through the Rocky Mountain E-Purchasing website (www.bidnetdirect.com/colorado). This site offers both "free" and "paying" registration options which allow for full access of the Owner's documents and for electronic submission of Bids. ("free" registration may take up*

to 24 hours to process. Please Plan accordingly.) Please view Owner “**Electronic Vendor Registration Guide**” at <http://www.gjcity.org/501/Purchasing-Bids> for details. Purchasing Agent does not have access or control of the vendor side of RMEPS. If website or other problems arise during response submission, Contractor **MUST** contact RMEPS to resolve issue prior to the response deadline. **800-835-4603**.

See section 4.0 for preparation and Submittal Terms. Bids must be formatted as directed in Section 4.0. Submittals which fail to follow this format may be ruled nonresponsive. The uploaded response shall be a single PDF document with all required information included.

**Bid Opening, Persigo WWTP Sidewalk Replacement Project IFB-5268-23-KF
Aug 16, 2023, 2:00 – 2:30 PM (America/Denver)**

Please join the meeting from a computer, tablet, or smartphone.

<https://meet.goto.com/635914429>

Dial in by phone.

Access Code:

635-914-429

United States:

[+1 \(224\) 501-3412](tel:+12245013412)

Join from a video-conferencing room or system.

Meeting ID:

635-914-429

Dial in or type:

67.217.95.2 or inroomlink.goto.com

Or dial directly:

635914429@67.217.95.2 or 67.217.95.2##635914429

Get the app now and be ready when the first meeting starts:

<https://meet.goto.com/install>

1.8. Modification and Withdrawal of Bids Before Opening: Bids may be modified or withdrawn by an appropriate document stating such, duly executed and submitted to the place where Bids are to be submitted at any time prior to Bid Opening. Bids may not be altered, modified, or amended after submission date.

1.9. Form for Price Bid: All Price Bids must be made upon the Price Bid Schedule attached and should give the amounts both in words and in figures and must be signed and acknowledged by the Bidder.

The Bidder shall specify a unit price in figures for each pay item for which a quantity is given and shall provide the products (in numbers) of the respective unit prices and quantities in the Extended Amount column. The total Bid price shall be equal to the sum of all extended amount prices. When an item in the Price Bid Schedule provides a choice to be made by the Bidder, Bidder's choice shall be indicated in accordance with the specifications for that particular item and thereafter no further choice shall be permitted.

Where the unit of a pay item is lump sum, the lump sum amount shall be shown in the "extended amount" column and included in the summation of the total Bid.

All blank spaces in the Price Bid Schedule must be properly filled out.

Bids by corporations must be executed in the corporate name by the president or vice president or other corporate office accompanied by evidence of authority to sign. The corporate address and state of incorporation shall be shown below the signature.

Bids by partnerships must be executed in the partnership name and signed by a partner whose title must appear under the signature and the official address of the partnership must be shown below the signature.

All names must be typed or printed below the signature.

The Bidder's Bid shall contain an acknowledgement of receipt of all Addenda, the numbers of which shall be filled in on the Contractor's Bid Form.

The contact information to which communications regarding the Bid are to be directed must be shown.

- 1.10. **Exclusions:** No oral, telephonic, emailed, or facsimile bid will be considered
- 1.11. **Contract Documents:** The complete IFB and Bidder's response compose the Contract Documents. Copies of bid documents can be obtained from the City Purchasing website, <https://co-grandjunction.civicplus.com/501/Purchasing-Bids>.
- 1.12. **Additional Documents:** The July 2010 edition of the City "Standard Contract Documents for Capital Improvements Construction," Plans, Specifications and other Bid Documents are available for review or download on the Purchasing Bids page at <https://co-grandjunction.civicplus.com/501/Purchasing-Bids>.
- 1.13. **Definitions and Terms:** See Article I General, Section 3 of the General Contract Conditions in the [Standard Contract Documents for Capital Improvements Construction](#).
- 1.14. **Examination of Specifications:** Bidders shall thoroughly examine and be familiar with the project Statement of Work. The failure or omission of any Bidder to receive or examine any form, addendum, or other document shall in no way relieve any Bidder from any obligation with respect to its bid. The submission of a bid shall be taken as evidence of compliance with this section. Prior to submitting a bid, each Bidder shall, at a minimum:
 - a. Examine the *Contract Documents* thoroughly;
 - b. Visit the site to familiarize itself with local conditions that may in any manner affect cost, progress, or performance of the Work;
 - c. Study and carefully correlate Bidder's observations with the *Contract Documents*, and;
 - d. Notify the Purchasing Agent of all conflicts, errors, ambiguities, or discrepancies in or among the *Contract Documents* within the designated inquiry period.

On request, the Owner will provide each Bidder access to the site to conduct such investigations and tests as each Bidder deems necessary for submission of a Bid. It shall be the Bidder's responsibility to make or obtain any additional examinations, investigations, explorations, tests and studies and obtain any additional information and data which pertain to the physical conditions (including without limitation, surface, subsurface and underground utilities) at or contiguous to the site or otherwise which may affect cost, progress or performance of the Work and which the Bidder deems necessary to determine its Bid for performing the Work in accordance with the time, price and other terms and conditions of the Contract Documents. Location of any excavation or boring made by Bidder shall be subject to prior approval of Owner and applicable agencies. Bidder shall fill all holes, restore all pavements to match the existing structural section and shall clean up and restore the site to its former condition upon completion of such exploration. The Owner reserves the right to require the Bidder to execute an access agreement with the Owner prior to accessing the site.

The lands upon which the Work is to be performed, rights of way, and access thereto, and other lands designated for use by Contractor in performing the Work, are identified on the Drawings.

Information and data reflected in the *Contract Documents* with respect to underground utilities at or contiguous to the site are based upon information and data furnished to the Owner and the Engineer by the owners of such underground utilities or others, and the Owner does not assume responsibility for the accuracy or completeness thereof, unless it is expressly provided otherwise in the *Contract Documents*.

By submission of a Bid, the Bidder shall be conclusively presumed to represent that the Bidder has complied with every requirement of these Instructions to Bidders, that the *Contract Documents* are not ambiguous and are sufficient in scope and detail to indicate and convey understanding of all terms and conditions for performance of the Work.

- 1.15. **Questions Regarding Statement of Work:** Any information relative to interpretation of Scope of Work or specifications shall be requested of the Purchasing Agent, in writing, in ample time, prior to the inquiry deadline.
- 1.16. **Addenda & Interpretations:** If it becomes necessary to revise any part of this solicitation, a written addendum will be posted electronically on the City's website at <https://co-grandjunction.civicplus.com/501/Purchasing-Bids>. And issued electronically through the Rocky Mountain E-Purchasing website at www.bidnetdirect.com/colorado. The Owner is not bound by any oral representations, clarifications, or changes made in the written specifications by Owner, unless such clarification or change is provided in written addendum form from the City Purchasing Agent.
- 1.17. **Taxes:** The Owner is exempt from State, County, and Municipal Sales Tax and Federal Excise Tax, therefore, all fees shall not include taxes.
- 1.18. **Sales and Use Taxes:** The Contractor and all Sub-Contractors are required to obtain exemption certificates from the Colorado Department of Revenue for sales and use taxes in accordance with the provisions of the General Contract Conditions Section XVI "Taxes."

Bids shall reflect this method of accounting for sales and use taxes on materials, fixtures, and equipment.

- 1.19. Offers Binding 60 Days:** Unless additional time is required by the Owner, or otherwise specified, all formal offers submitted shall be binding for sixty (60) calendar days following opening date, unless the Bidder, upon request of the Purchasing Agent, agrees to an extension.
- 1.20. Exceptions and Substitutions:** All bids meeting the intent of this IFB shall be considered for award. A Bidder taking exception to the specifications does so at the Bidder's risk. The Owner reserves the right to accept or reject any or all substitutions or alternatives. When offering substitutions and/or alternatives, Bidder must state any exception(s) in the section to which the exception(s) pertain. Exception/substitution, if accepted, must meet, or exceed the stated intent and/or specifications. The absence of stated exception(s) indicates that the Bidder has not taken exceptions, and if awarded a Contract shall hold the Bidder responsible to perform in strict accordance with the specifications or scope of the bid and Contract Documents.
- 1.21. Collusion Clause:** Each Bidder by submitting a bid certifies that it is not party to any collusive action or any action that may be in violation of the Sherman Antitrust Act. Any and all bids shall be rejected if there is evidence or reason for believing that collusion exists among Bidders. The Owner may, or may not, at its discretion, accept future bids for the same Work or commodities from participants in such collusion.
- 1.22. Disqualification of Bidders:** A Bid will not be accepted from, nor shall a Contract be awarded to, any person, firm, or corporation that is in arrears to the Owner, upon debt or Contract, or that has defaulted, as surety or otherwise, upon any obligation to the Owner, or that is deemed irresponsible or unreliable.

Bidders may be required to submit satisfactory evidence that it is responsible, have a practical knowledge of the project bid upon and has the necessary financial and other resources to complete the proposed Work.

Either of the following reasons, without limitation, shall be considered sufficient to disqualify a Bidder and Bid:

- a. More than one Bid is submitted for the same Work from an individual, firm, or corporation under the same or different name; and
 - b. Evidence of collusion among Bidders. Any participant in such collusion shall not receive recognition as a Bidder for any future Work of the Owner until such participant has been reinstated as a qualified Bidder.
- 1.23. Public Disclosure Record:** If the Bidder has knowledge of its employee(s) or Sub-Contractors having an immediate family relationship with an Owner employee or elected official, the Bidder must provide the Purchasing Agent with the name(s) of the individuals. The individuals are required to file a "Public Disclosure Record", a statement of financial interest, before conducting business with the Owner.

2.0. General Contract Conditions for Construction Projects

- 2.1. The Contract:** This Invitation for Bid, submitted documents, and any negotiations, when properly accepted by the Owner, shall constitute an enforceable agreement equally binding between the Owner and Contractor. The Contract represents the entire and integrated agreement between the Owner and the Contractor and supersedes all prior negotiations, representations, or agreements, either written or oral, including the Bid documents. The Contract may be amended or modified with Change Orders, Field Orders, or Addendums.
- 2.2. The Work:** The term Work includes all labor necessary to produce the construction required by the Contract Documents, and all materials and equipment incorporated or to be incorporated in such construction.
- 2.3. Execution, Correlation, Intent, and Interpretations:** The Contract Documents shall be signed by the Owner and Contractor. By executing the Contract, the Contractor represents that it has familiarized itself with the conditions under which the Work is to be performed and correlated its observations with the requirements of the Contract Documents. The Contract Documents are complementary, and what is required by anyone, shall be as binding as if required by all. The intention of the Contract Documents is to include all labor, materials, equipment, services, and other items necessary for the proper execution and completion of the Scope of Work as defined in the technical specifications and/or drawings contained herein. All drawings, specifications and copies furnished by the Owner are, and shall remain, Owner property. It is not to be used on any other project.
- 2.4. The Owner:** The Owner is the City of Grand Junction, Colorado and is referred to throughout the Contract Documents. The term Owner means the Owner or authorized representative(s). The Owner shall, at all times, have access to the Work wherever it is in preparation and progress. The Contractor shall provide facilities for such access. The Owner will make periodic visits to the site to familiarize itself generally with the progress and quality of Work and to determine, in general, if the Work is proceeding in accordance with the Contract Documents. Based on such observations and the Contractor's Application for Payment, the Owner will determine the amounts owing to the Contractor and will issue Certificates for Payment in such amounts, as provided in the Contract. The Owner will have authority to reject Work which does not conform to the Contract documents. Whenever, in its reasonable opinion, it considers it necessary or advisable to ensure the proper implementation of the intent of the Contract Documents, it will have authority to require the Contractor to stop the Work or any portion, or to require special inspection or testing of the Work, whether or not such Work can be then be fabricated, installed, or completed. The Owner will not be responsible for the acts or omissions of the Contractor, and Sub-Contractor, or any of its agents or employees, or any other persons performing any of the Work.
- 2.5. Contractor:** The Contractor is the person or organization identified as such in the Agreement and is referred to throughout the Contract Documents. The term Contractor means the Contractor or its authorized representative(s). The Contractor shall carefully study and compare the General Contract Conditions of the Contract, Specification and Drawings, Scope of Work, Addenda and Modifications and shall at once report to the

Owner any error, inconsistency, or omission it may discover. Contractor shall not be liable to the Owner for any damage resulting from such errors, inconsistencies, or omissions. The Contractor shall not commence Work without clarifying Drawings, Specifications, or Interpretations.

- 2.6. Sub-Contractors:** A Sub-Contractor is a person or organization who has a direct Contract with the Contractor to perform any of the Work at the site. The term Sub-Contractor is referred to throughout the contract documents and means a Sub-Contractor or its authorized representative(s).
- 2.7. Award of Sub-Contractors & Other Contracts for Portions of the Work:** Contractor shall submit with its bid response to the Owner, in writing for acceptance, a list of the names of the sub-contractors or other persons or organizations proposed for such portions of the Work as may be designated in the bid requirements, or, if none is so designated, the names of the sub-contractors proposed for the principal portions of the Work. Prior to the award of the Contract, the Owner shall notify the successful Contractor in writing if, after due investigation, has reasonable objection to any person or organization on such list. If, prior to the award of the Contract, the Owner has a reasonable and substantial objection to any person or organization on such list and refuses in writing to accept such person or organization, the successful Contractor may, prior to the award, withdraw its bid without forfeiture of bid security. If the successful Contractor submits an acceptable substitute with an increase in the proposed price to cover the difference in cost occasioned by the substitution, the Owner may, at its discretion, accept the increased bid or may disqualify the Contractor. If, after the award, the Owner refuses to accept any person or organization on such list, the Contractor shall submit an acceptable substitute and the Contract sum shall be increased or decreased by the difference in cost occasioned by such substitution and an appropriate Change Order shall be issued. However, no increase in the Contract sum shall be allowed for any such substitution unless the Contractor has acted promptly and responsively in submitting a name with respect thereto prior to the award.
- 2.8. Quantities of Work and Unit Price:** Materials or quantities stated as unit price items in the Bid are supplied only to give an indication of the general scope of the Work, and are as such, estimates only. The Owner does not expressly or by implication agree that the actual amount of Work or material will correspond therewith and reserves the right after award to increase or decrease the quantity of any unit item of the Work without a change in the unit price except as set forth in Article VIII, Section 70 of the *General Contract Conditions*. The City also reserves the right to make changes in the Work (including the right to delete any bid item in its entirety or add additional bid items) as set forth in Article VIII, Sections 69 through 71 of the *General Contract Conditions*.
- 2.9. Substitutions:** The materials, products and equipment described in the *Solicitation Documents* shall be regarded as establishing a standard of required performance, function, dimension, appearance, or quality to be met by any proposed substitution. No substitution will be considered prior to receipt of Bids unless the Bidder submits a written request for approval to the Purchasing Agent at least ten (10) days prior to the date for receipt of Bids. Such requests for approval shall include the name of the material or equipment for which substitution is sought and a complete description of the proposed substitution including drawings, performance and test data, and other information

necessary for evaluation, including samples if requested. The Bidder shall set forth changes in other materials, equipment, or other portions of the Work including changes of the Work of other Contracts, which incorporation of the proposed substitution would require to be included. The Owner's decision of approval or disapproval of a proposed substitution shall be final. If the Owner approves a proposed substitution before receipt of Bids, such approval will be set forth in an Addendum. Bidders shall not rely upon approvals made in any other manner.

- 2.10. Supervision and Construction Procedures:** The Contractor shall supervise and direct the Work, using its best skill and attention. The Contractor shall be solely responsible for all construction means, methods, techniques, sequences, and procedures and for coordinating all portions of the Work under the Contract.
- 2.11. Warranty:** The Contractor warrants to the Owner that all materials and equipment furnished under this Contract will be new unless otherwise specified, and that all Work will be of good quality, free from faults and defects and in conformance with the Contract Documents. All Work not conforming to these standards may be considered defective. If required by Owner, the Contractor shall furnish satisfactory evidence as to the kind and quality of materials and equipment. If within ten (10) days after written notice to the Contractor requesting such repairs or replacement, the Contractor should neglect to make or undertake with due diligence to the same, the Owner may make such repairs or replacements. All indirect and direct costs of such correction or removal or replacement shall be at the Contractor's expense. The Contractor will also bear the expenses of making good all Work of others destroyed or damaged by the correction, removal, or replacement of its defective Work.
- 2.12. Permits, Fees, & Notices:** The Contractor shall secure and pay for all permits, governmental fees, and licenses necessary for the proper execution and completion of the Work. The Contractor shall give all notices and comply with all laws, ordinances, rules, regulations, and orders of any public authority, including the City, bearing on the performance of the Work. If the Contractor observes that any of the Contract Documents are at variance in any respect, it shall promptly notify the Purchasing Agent in writing, and any necessary changes shall be adjusted. If the Contractor performs any Work knowing it to be contrary to such laws, ordinances, rules, and regulations, and without such notice to the Owner, it shall assume full responsibility and shall bear all costs attributable to the non-conforming Work.
- 2.13. Responsibility for Those Performing the Work:** The Contractor shall be responsible to the Owner for the acts and omissions of all its employees and all Sub-Contractors, its agents and employees, and all other persons performing any of the Work under a Contract.
- 2.14. Use of the Site:** The Contractor shall confine operations at the site to areas permitted by law, ordinances, permits and the Contract Documents, and shall not unreasonably encumber the site with any materials or equipment.
- 2.15. Cleanup:** The Contractor at all times shall keep the premises free from accumulation of waste materials or rubbish caused by operations. At the completion of Work, shall remove

all waste materials and rubbish from and about the project, as well as all tools, construction equipment, machinery, and surplus materials.

- 2.16. Insurance Requirements:** The selected Contractor agrees to procure and maintain, at its own cost, policy(s) of insurance sufficient to insure against all liability, claims, demands, and other obligations assumed by the Contractor pursuant to the Contract. Such insurance shall be in addition to any other insurance requirements imposed by this Contract or by law. The Contractor shall not be relieved of any liability, claims, demands, or other obligations assumed pursuant to the Contract by reason of its failure to procure or maintain insurance in sufficient amounts, durations, or types.

Contractor shall procure and maintain and, if applicable, shall cause any Sub-Contractor of the Contractor to procure and maintain insurance coverage listed below. Such coverage shall be procured and maintained with forms and insurers acceptable to Owner. All coverage shall be continuously maintained to cover all liability, claims, demands, and other obligations assumed by the Contractor pursuant to the Contract. In the case of any claims-made policy, the necessary retroactive dates and extended reporting periods shall be procured to maintain such continuous coverage. Minimum coverage limits shall be as indicated below unless specified otherwise in the Special Conditions:

(a) Worker Compensation: Contractor shall comply with all State of Colorado Regulations concerning Workers' Compensation insurance coverage.

(b) General Liability insurance with minimum limits of:

FIVE HUNDRED THOUSAND DOLLARS (\$500,000) each occurrence and
FIVE HUNDRED THOUSAND DOLLARS (\$500,000) per job aggregate.

The policy shall be applicable to all premises, products, and completed operations. The policy shall include coverage for bodily injury, broad form property damage (including completed operations), personal injury (including coverage for contractual and employee acts), blanket contractual, products, and completed operations. The policy shall include coverage for explosion, collapse, and underground (XCU) hazards. The policy shall contain a severability of interest's provision.

(c) Comprehensive Automobile Liability insurance with minimum limits for bodily injury and property damage of not less than:

FIVE HUNDRED THOUSAND DOLLARS (\$500,000) each occurrence and
FIVE HUNDRED THOUSAND DOLLARS (\$500,000) aggregate

(d) Professional Liability & Errors and Omissions Insurance policy with a minimum of:

FIVE HUNDRED THOUSAND DOLLARS (\$500,000) per claim

This policy shall provide coverage to protect the City against liability incurred as a result of the Work performed as a result of responding to this Solicitation. With respect to each of Contractors owned, hired, or non-owned vehicles assigned to be used in performance of the Work. The policy shall contain a severability of interest provision.

- 2.16.1. Additional Insured Endorsement:** The policies required by paragraphs (b), and (c) above shall be endorsed to include Grand Junction, its Elected and Appointed Officials, Employees and Volunteers as Additional Insured. Every required policy above shall be primary insurance, and any insurance carried by the Owner, its officers, or its employees, or carried by or provided through any insurance pool of the Owner, shall be excess and not contributory insurance to that provided by the Contractor. The Contractor shall be solely responsible for any deductible losses under any policy required above.
- 2.17. Indemnification:** The Contractor shall defend, indemnify and save harmless the Owner, and all its officers, employees, insurers, and self-insurance pool, from and against all liability, suits, actions, or other claims of any character, name and description brought for or on account of any injuries or damages received or sustained by any person, persons, or property on account of any negligent act or fault of the Contractor, or of any Contractor's agent, employee, Sub-Contractor or supplier in the execution of, or performance under, any Contract which may result from bid award. Contractor shall pay any judgment with costs which may be obtained by and/or against the Owner growing out of or under the performance.
- 2.18. Miscellaneous Conditions: Material Availability:** Contractors must accept responsibility for verification of material availability, production schedules, and other pertinent data prior to submission of bid. It is the responsibility of the Bidder to notify the Owner immediately if materials specified are discontinued, replaced, or not available for an extended period of time.
- 2.19. Time:** Time is of the essence with respect to the time of completion of the Project and any other milestones or deadline which are part of the Contract. It will be necessary for each Bidder to satisfy the City of its ability to complete the Work within the Contract Time set forth in the Contract Documents. The Contract Time is the period of time allotted in the Contract Documents for completion of the Work. The date of commencement of the Work is the date established in a Notice to Proceed. If there is no Notice to Proceed, it shall be the date of the Contract, or such other date as may be established therein, or as established as entered on the Bid Form. The Date of Final Completion of the Work is the date certified by the Owner when all construction, and all other Work associated to include, but not be limited to: testing, QA/QC, receipt of required reports and/or forms, grant requirements (if applicable), punch list items, clean-up, receipt of drawings and/or as-builts, etc., is fully complete, and in accordance with the Contract Documents.
- 2.20. Progress & Completion:** The Contractor will begin Work on the Commencement Date as noted on the Notice to Proceed and perform the Work expeditiously with adequate forces to complete the Work within the Contract Time/by the Completion Date.
- 2.21. Payment & Completion:** The Contract Sum is stated in the Contract and is the total amount payable by the Owner to the Contractor for the performance of the Work under the Contract Documents. Upon receipt of written notice that the Work is ready for final inspection and acceptance and upon receipt of application for payment, the Owner's Project Manager will promptly make such inspection and, when it finds the Work acceptable under the Contract Documents and the Contract fully performed, the Owner shall make payment in the manner provided in the Contract Documents.

2.22. Bid Bond: Each bid shall as a guaranty of good faith on the part of the Bidder be accompanied by a Bid Guaranty consisting of a certified or cashier's check drawn on an approved national bank or trust company in the state of Colorado and made payable without condition to the City; or a **Bid Bond** written by an approved corporate surety in favor of the City. The amount of the Bid Guaranty shall not be less than 5% of the total Bid amount. Once a Bid is accepted and a Contract is awarded, the apparent successful Bidder has ten calendar days to enter into a Contract in the form prescribed and to furnish the bonds with a legally responsible and approved surety. Failure to do so will result in forfeiture of the Bid Guaranty to the City as Liquidated Damages.

Each Bidder shall guaranty its total bid price for a period of sixty (60) Calendar Days from the date of the bid opening.

2.23. Performance & Payment Bonds: Contractor shall furnish a Performance and a Payment Bond, each in an amount at least equal to that specified for the Contract amount as security for the faithful performance and payment of all Contractor's obligations under the Contract Documents. The bonds shall remain in effect for the duration of the Warranty Period (as specified in the Special Conditions). Contractor shall also furnish other bonds as required by the Special Conditions. All bonds shall be in the forms prescribed by the Contract Documents and be executed by such sureties as (1) are licensed to conduct business in the State of Colorado and (2) are named in the current list of "Companies Holding Certificates of Authority as Acceptable Sureties on Federal Bonds and as Acceptable Reinsuring Companies" as published in Circular 570 (amended) by the Audit Staff, Bureau of Accounts, U.S. Treasury Department. All bonds signed by an agent must be accompanied by a certified copy of the Authority Act. If the surety on any bond furnished by the Contractor is declared bankrupt, or becomes insolvent, or its rights to do business in Colorado are terminated, or it ceases to meet the requirements of clauses (1) and (2) of this section, Contractor shall within five (5) days thereafter substitute another bond and surety, both of which shall be acceptable to the City.

2.24. Retention: The Owner shall deduct money from the partial payments in amounts considered necessary to protect the interest of the Owner and will retain this money until after completion of the entire Contract. The amount to be retained from partial payments will be five (5) percent of the value of the completed Work, and not greater than five (5) percent of the amount of the Contract. When the retainage has reached five (5) percent of the amount of the Contract no further retainage will be made and this amount will be retained until such time as final payment is made.

2.25. Liquidated Damages for Failure to Enter Into Contract: Should the Successful Bidder fail or refuse to enter into the Contract within ten (10) Calendar Days from the issuance of the Notice of Award, the City shall be entitled to collect the amount of such Bidder's Bid Guaranty as Liquidated Damages, not as a penalty but in consideration of the mutual release by the City and the Successful Bidder of all claims arising from the City's issuance of the Notice of Award and the Successful Bidder's failure to enter into the Contract and the costs to award the Contract to any other Bidder, to re-advertise, or otherwise dispose of the Work as the City may determine best serves its interest.

2.26. Liquidated Damages for Failure to Meet Project Completion Schedule: If the Contractor does not achieve Final Completion by the required date, whether by neglect,

refusal or any other reason, the parties agree and stipulate that the Contractor shall pay liquidated damages to the City for each such day that final completion is late. As provided elsewhere, this provision does not apply for delays caused by the City. The date for Final Completion may be extended in writing by the Owner.

The Contractor agrees that as a part of the consideration for the City's awarding of this Contract liquidated damages in the daily amount of **\$250.00** is reasonable and necessary to pay for the actual damages resulting from such delay. The parties agree that the real costs and injury to the City for such delay include hard to quantify items such as: additional engineering, inspection and oversight by the City and its agents; additional Contract administration; inability to apply the efforts of those employees to the other Work of the City; perceived inefficiency of the City; citizens having to deal with the construction and the Work, rather than having the benefit of a completed Work, on time; inconvenience to the public; loss of reputation and community standing for the City during times when such things are very important and very difficult to maintain.

The Contractor must complete the Work and achieve final completion included under the Bid Schedule in the number of consecutive calendar days after the City gives is written Notice to Proceed. When the Contractor considers the entire Work ready for its intended use, Contractor shall certify in writing that the Work is fully complete. Final Completion date is the date by which the Contractor shall have fully completed all clean-up, and all items that were identified by the City in the inspection for final completion. Unless otherwise stated in the Special Conditions, for purposes of this liquidated damages clause, the Work shall not be finished, and the Contract time shall continue to accrue until the City gives its written Final Acceptance.

If the Contractor fails to pay said liquidated damages promptly upon demand thereof after having failed to achieve Final Completion on time, the City shall first look to any retainage or other funds from which to pay said liquidated damages; if retainage or other liquid funds are not available to pay said liquidated damages amounts, the Surety on the Contractor's Performance Bond and Payment Bond shall pay such liquidated damages. In addition, the City may withhold all, or any part of, such liquidated damages from any payment otherwise due the Contractor.

Liquidated damages as provided do not include any sums to reimburse the City for extra costs which the City may become obligated to pay on other Contracts which were delayed or extended because of the Contractor's failure to complete the Work within the Contract Time. Should the City incur additional costs because of delays or extensions to other Contracts resulting from the Contractor's failure of timely performance, the Contractor agrees to pay these costs that the City incurs because of the Contractor's delay, and these payments are separate from and in addition to any liquidated damages.

The Contractor agrees that the City may use its own forces or hire other parties to obtain Final Completion of the Work if the time of completion has elapsed and the Contractor is not diligently pursuing completion. In addition to the Liquidated Damages provided for, the Contractor agrees to reimburse the City for all expenses thus incurred.

2.27. Contingency/Force Account/Minor Contract Revisions: Contingency/Force Account/Minor Contract Revisions Work will be authorized by the Owner's Project

Manager and is defined as minor expenses to cover miscellaneous or unforeseen expenses related to the project. The expenses are not included in the Drawings, Specifications, or Scope of Work and are necessary to accomplish the scope of this Contract. Contingency/Force Account/Minor Contract Revisions Authorization will be directed by the Owner through an approved form. Contingency/Force Account/Minor Contract Revisions funds are the property of the Owner and any Contingency/Force Account/Minor Contract Revisions funds, not required for project completion, shall remain the property of the Owner. Contractor is not entitled to any Contingency/Force Account/Minor Contract Revisions funds, which are not authorized by Owner or Owner's Project Manager.

- 2.28. Protection of Persons & Property:** The Contractor shall comply with all applicable laws, ordinances, rules, regulations, and orders of any public authority having jurisdiction for the safety of persons or property or to protect it from damage, injury, or loss. Contractor shall erect and maintain, as required by existing safeguards for safety and protection, and all reasonable precautions, including posting danger signs or other warnings against hazards promulgating safety regulations and notifying owners and users of adjacent utilities. When or where any direct or indirect damage or injury is done to public or private property by or on account of any act, omission, neglect, or misconduct by the Contractor in the execution of the Work, or in consequence of the non-execution thereof by the Contractor, it shall restore, at its own expense, such property to a condition similar or equal to that existing before such damage or injury was done, by repairing, rebuilding, or otherwise restoring as may be directed, or shall make good such damage or injury in an acceptable manner.
- 2.29. Changes in the Work:** The Owner, without invalidating the Contract, may order changes in the Work within the general scope of the Contract consisting of additions, deletions or other revisions, the Contract sum, and the Contract time being adjusted accordingly. All such changes in the Work shall be authorized by Change Order and shall be executed under the applicable conditions of the Contract documents. A Change Order is a written order to the Contractor signed by the Owner issued after the execution of the Contract, authorizing a change in the Work or an adjustment in the Contract sum or the Contract time. The Contract sum and the Contract time may be changed only by Change Order.
- 2.30. Claims for Additional Cost or Time:** If the Contractor wishes to make a claim for an increase in the Contract sum or an extension in the Contract time, it shall give the Owner written notice thereof within a reasonable time after the occurrence of the event giving rise to such claim. This notice shall be given by the Contractor before proceeding to execute the Work, except in an emergency endangering life or property in which case the Contractor shall precede in accordance with the regulations on safety. No such claim shall be valid unless so made. Any change in the Contract sum or Contract time resulting from such claim shall be authorized by Change Order.
- 2.31. Minor Changes in the Work:** The Owner shall have authority to order minor changes in the Work not involving an adjustment in the Contract sum or an extension of the Contract time and not inconsistent with the intent of the Contract Documents.
- 2.32. Field Orders:** The Owner may issue written Field Orders which interpret the Contract Documents in accordance with the specifications, or which order minor changes in the

Work in accordance with the agreement, without change in the Contract sum or time. The Contractor shall conduct such Field Orders promptly.

- 2.33. Uncovering & Correction of Work:** The Contractor shall promptly correct all Work rejected by the Owner as defective or as failing to conform to the Contract Documents whether observed before or after substantial completion and whether or not fabricated installed or completed. The Contractor shall bear all costs of correcting such rejected Work, including the cost of the Owner's additional services thereby made necessary. If within one (1) year after the date of completion or within such longer period of time as may be prescribed by law or by the terms of any applicable special guarantee required by the Contract Documents, any of the Work found to be defective or not in accordance with the Contract Documents, the Contractor shall correct it promptly after receipt of a written notice from the Owner to do so unless the Owner has previously given the Contractor a written acceptance of such condition. The Owner shall give such notice promptly after discovering of condition. All such defective or non-conforming Work under the above paragraphs shall be removed from the site where necessary and the Work shall be corrected to comply with the Contract Documents without cost to the Owner. The Contractor shall bear the cost of making good all Work of separate Contractors destroyed or damaged by such removal or correction. If the Owner prefers to accept defective or non-conforming Work, it may do so instead of requiring its removal and correction, in which case a Change Order will be issued to reflect an appropriate reduction in the payment or Contract sum, or, if the amount is determined after final payment, it shall be paid by the Contractor.
- 2.34. Amendment:** No oral statement of any person shall modify or otherwise change, or affect the terms, conditions or specifications stated in the resulting Contract. All amendments to the Contract shall be made in writing by the Owner.
- 2.35. Assignment:** The Contractor shall not sell, assign, transfer, or convey the Contract resulting from this IFB, in whole or in part, without the prior written approval from the Owner.
- 2.36. Compliance with Laws:** Offers must comply with all Federal, State, County and local laws governing the Work and the fulfillment of the Work for and on behalf of the public. Contractor hereby warrants that it is qualified to assume the responsibilities and render the Work described herein and has all requisite corporate authority and professional licenses in good standing required by law.
- 2.37. Confidentiality:** All information disclosed by the Owner to the Contractor for the purpose of the Work to be done or information that comes to the attention of the Contractor during the course of performing such Work is to be kept strictly confidential.
- 2.38. Conflict of Interest:** No public official and/or Owner employee shall have interest in the Contract resulting from this Invitation For Bid.
- 2.39. Contract Termination:** The Contract shall remain in effect until any of the following occurs: (1) Contract expires; (2) completion of Work; (3) final acceptance of Work or, (4) for convenience terminated by either party with a written *Notice of Cancellation* stating

therein the reasons for such cancellation and the effective date of cancellation at least thirty (30) days past notification.

- 2.40. Employment Discrimination:** During the performance of any Work per agreement with the Owner, the Contractor, by submitting a Bid, agrees to:
- 2.40.1.** Not discriminate against any employee or applicant for employment because of race, religion, color, sex, age, handicap, or national origin except when such condition is a legitimate occupational qualification reasonably necessary for the normal operations of the Contractor. The Contractor agrees to post in conspicuous places, visible to employees and applicants for employment, notices setting forth the provisions of this nondiscrimination clause.
 - 2.40.2.** In all solicitations or advertisements for employees placed by or on behalf of the Contractor, that the Contractor is an Equal Opportunity Employer.
 - 2.40.3.** Notices, advertisements, and solicitations placed in accordance with federal law, rule, or regulation shall be deemed sufficient for the purpose of meeting the requirements of this section.
- 2.41. Affirmative Action:** In executing a Contract with the City, the Contractor agrees to comply with Affirmative Action and Equal Employment Opportunity regulations presented in the General Contract Conditions Section 9 “Affirmative Action/EEO.”
- 2.42. Immigration Reform and Control Act of 1986 and Immigration Compliance:** The Contractor certifies that it does not and will not during the performance of the Contract employ workers without authorization or otherwise violate the provisions of the Federal Immigration Reform and Control Act of 1986 and/or laws regulating immigration compliance.
- 2.43. Ethics:** The Contractor shall not accept or offer gifts or anything of value and/or enter into any business arrangement with any employee, official, or agent of the Owner.
- 2.44. Failure to Deliver:** In the event of failure of the Contractor to perform in accordance with the Contract Documents, the Owner, after due oral or written notice, may procure the Work from other sources and hold the Contractor responsible for any and all costs resulting in the purchase of additional services and materials necessary to perform the Work. This remedy shall be in addition to any other remedies that the Owner may have.
- 2.45. Failure to Enforce:** Failure by the Owner at any time to enforce the provisions of the Contract shall not be construed as a waiver of any such provisions. Such failure to enforce shall not affect the validity of the Contract or any part thereof or the right of the Owner to enforce any provision of the Contract Documents at any time in accordance with the terms thereof.
- 2.46. Force Majeure:** The Contractor shall not be held responsible for failure to perform the duties and responsibilities imposed by the Contract due to legal strikes, fires, riots, rebellions, and acts of God beyond the control of the Contractor, unless otherwise specified in the Contract.

2.47. Independent Contractor: The Contractor shall be legally considered an Independent Contractor and neither the Contractor nor its employees shall, under any circumstances, be considered servants or agents of the Owner. The Owner shall be at no time legally responsible for any negligence or other wrongdoing by the Contractor, its servants, or agents. The Owner shall not withhold from the Contract payments to the Contractor any federal or state unemployment taxes, federal or state income taxes, Social Security, or any other amounts for benefits to the Contractor. Further, the Owner shall not provide to the Contractor any insurance coverage or other benefits, including Workers' Compensation, normally provided by the Owner for its employees.

2.48. Nonconforming Terms and Conditions: A bid that includes terms and conditions that do not conform to the terms and conditions of this Invitation for Bid is subject to rejection as non-responsive. The Owner reserves the right to permit the Bidder to withdraw nonconforming terms and conditions from its bid prior to a determination by the Owner of non-responsiveness based on the submission of nonconforming terms and conditions.

Items for non-responsiveness may include, but not be limited to:

- a. Submission of the Bid on forms other than those supplied by the City;
- b. Alteration, interlineation, erasure, or partial detachment of any part of the forms which are supplied herein;
- c. Inclusion of unauthorized additions conditional or alternate Bids or irregularities of any kind which may tend to make the Bid incomplete, indefinite, or ambiguous as to its meaning;
- d. Failure to acknowledge receipt of any or all issued Addenda;
- e. Failure to provide a unit price or a lump sum price, as appropriate, for each pay item listed except in the case of authorized alternative pay items;
- f. Failure to list the names of Sub-Contractors used in the Bid preparation as may be required in the Solicitation Documents;
- g. Submission of a Bid that, in the opinion of the Owner, is unbalanced so that each item does not reasonably carry its own proportion of cost, or which contains inadequate or unreasonable prices for any item;
- h. Tying of the Bid with any other bid or Contract; and
- i. Failure to calculate Bid prices as described herein.

2.49. Evaluation of Bids and Bidders: The Owner reserves the right to:

- reject any and all Bids,
- waive any and all informalities,
- take into account any prompt payment discounts offered by Bidder,
- negotiate final terms with the Successful Bidder,

- take into consideration past performance of previous awards/Contracts with the Owner of any Contractor, Vendor, Firm, Supplier, or Service Provider in determining final award, and
- disregard any and all nonconforming, nonresponsive, or conditional Bids.

Discrepancies between words and figures will be resolved in favor of words. Discrepancies between Unit Prices and Extended Prices will be resolved in favor of the Unit Prices. Discrepancies between the indicated sum of any column of figures and the correct sum thereof will be resolved in favor of the correct sum. The corrected extensions and totals will be shown in the tabulation of Bids.

The Owner may consider the qualifications and experience of Sub-Contractors and other persons and organizations (including those who are to furnish the principal items of material or equipment) proposed for those portions of the Work as to which the identity of Sub-Contractors and other persons and organizations must be submitted. Operating costs, maintenance considerations performance data, and guarantees of materials and equipment may also be considered by the Owner.

The Owner will conduct such investigations as deemed necessary to assist in the evaluation of any Bid and to establish the responsibility, qualifications, and financial ability of the Bidder, proposed Sub-Contractors and other persons and organizations to do the Work in accordance with the *Contract Documents* to the City's satisfaction within the Contract Time.

The Bidder shall furnish the Owner all information and data requested by the Owner to determine the ability of the Bidder to perform the Work. The Owner reserves the right to reject the Bid if the evidence submitted by, or investigation of such Bidder fails to satisfy the Owner that such Bidder is properly qualified to carry out the obligations of the Contract and to complete the Work contemplated therein.

By submitting a Bid, each Bidder authorizes the Owner to perform such investigation of the Bidder as the Owner deems necessary to establish the responsibility, qualifications, and financial ability of the Bidder and, by its signature thereon, authorizes the Owner to obtain reference information concerning the Bidder and releases the party providing such information and the Owner from any and all liability to the Bidder as a result of such reference information so provided.

The Owner reserves the right to reject the Bid of any Bidder who does not pass any evaluation to the Owner's satisfaction.

If the Contract is to be awarded, it will be awarded to the Bidder who, by evaluation, the Owner determines will best meet the Owner's interests.

The Owner reserves the right to accept or reject the Work contained in any of the Price Bid Schedules or alternates, either in whole or in part.

2.50. Award of Contract: Unless otherwise indicated, a single award will be made for all the bid items in an individual bid schedule. In the event that the Work is contained in more than one Bid Schedule, the City may award Schedules individually or in combination. In the case of two Bid Schedules which are alternative to each other, only one of such alternative Schedules will be awarded. Within forty-five (45) Calendar Days of Bid

Opening, the City will issue a Notice of Award to the Successful Bidder which will be accompanied by a Contract electronically submitted via DocuSign for digital signature. Within ten (10) Calendar Days thereafter, the Successful Bidder shall sign and deliver the digitally executed Contract via DocuSign. Performance Bond, Payment Bond, and Certificates of Insurance shall be submitted to the City within ten (10) days of Contract execution. No Contract shall exist between the Successful Bidder and the City, and the Successful Bidder shall have no rights at law or in equity until the Contract has been duly executed by the City.

The Successful Bidder's failure to sign and submit a Contract and other documents set forth in this Paragraph within the prescribed time shall be just cause of annulment of the award, and forfeiture of the Bid Guaranty. The award of Contract may then be made to the next qualified Bidder in the same manner as previously prescribed.

- 2.51. Ownership:** All documents, plans, prints, designs, concepts, and work prepared pursuant to the Contract, etc., created by the Contractor for this project, shall become the property of the Owner. All information furnished by the Owner are and shall remain, Owner property.
- 2.52. Oral Statements:** No oral statement of any person shall modify or otherwise affect the terms, conditions, or specifications stated in this document and/or resulting agreement. All modifications to this request and any agreement must be made in writing by the Owner.
- 2.53. Patents/Copyrights:** The Contractor agrees to protect the Owner from any claims involving infringements of patents and/or copyrights. In no event shall the Owner be liable to the Contractor for any claims, damages, awards and/or costs of defense arising on the grounds of patent(s)/copyright(s) infringement. Patent/copyright infringement shall null and void any agreement resulting from response to this Invitation For Bid.
- 2.54. Remedies:** The Contractor and Owner agree that both parties have all rights, duties, and remedies available as stated in the Uniform Commercial Code.
- 2.55. Governing Law:** Any agreement as a result of responding to this Invitation For Bid shall be deemed to have been made in, and shall be construed and interpreted in accordance with, the laws of the City of Grand Junction, Mesa County, Colorado. Any action arising out of or under the Contract shall be in District Court, 21st Judicial District, Mesa County, Colorado.
- 2.56. Expenses:** Expenses incurred in preparation, submission, and presentation of a response to this Invitation For Bid are the responsibility of the Bidder and cannot be charged to the Owner.
- 2.57. Sovereign Immunity:** The Owner specifically reserves its right to sovereign immunity pursuant to Colorado law as a defense to any action arising out of or under a Contract.
- 2.58. Public Funds/Non-Appropriation of Funds:** Funds for payment have been provided through the Owner's budget approved by the City Council for the stated fiscal year only. Colorado law prohibits the obligation and expenditure of public funds beyond the fiscal

year for which a budget has been approved. Therefore, anticipated orders or other obligations that may arise past the end of the stated Owner's fiscal year shall be subject to budget approval. The Contract, if any, will be subject to and must contain a non-appropriation of funds clause/limitation on multi-year fiscal obligation(s) as required by Article X, Section 20. of the Colorado Constitution, and other applicable law(s).

2.59. Cooperative Purchasing: Purchases as a result of this solicitation are primarily for the Owner. Other governmental entities may be extended the opportunity to utilize the resultant Contract award with the agreement of the successful provider and the participating agencies. All participating entities will be required to abide by the specifications, terms, conditions, and pricings established in this Bid. The quantities furnished in this bid document are for only the Owner. It does not include quantities for any other jurisdiction. The City will be responsible only for the award for its jurisdiction. Other participating entities will place its own awards on its respective Purchase Orders through its purchasing office or use its purchasing card for purchase/payment as authorized or agreed upon between the provider and the individual entity. The Owner accepts no liability for payment of orders placed by other participating jurisdictions that choose to "piggy-back" on the Owner's solicitation. Orders placed by participating jurisdictions under the terms of this solicitation will indicate its specific delivery and invoicing instructions.

2.60. Keep Jobs in Colorado Act: Contractor shall be responsible for ensuring compliance with Article 17 of Title 8, Colorado Revised Statutes (C.R.S.) requiring 80% Colorado labor to be employed on public works. Contractor shall, upon reasonable notice provided by the Owner, permit the Owner to inspect documentation of identification and residency required by C.R.S. §8-17-101(2)(a). If Contractor claims it is entitled to a waiver pursuant to C.R.S. §8-17-101(1), Contractor shall state that there is insufficient Colorado labor to perform the Work such that compliance with Article 17 would create an undue burden that would substantially prevent a project from proceeding to completion and shall include evidence demonstrating the insufficiency and undue burden in its response.

Unless expressly granted a waiver by the Owner pursuant to C.R.S. §8-17-101(1), Contractor shall be responsible for ensuring compliance with Article 17 of Title 8, C.R.S. requiring 80% Colorado labor to be employed on public works. Contractor shall, upon reasonable notice provided by the Owner, permit the Owner to inspect documentation of identification and residency required by C.R.S. §8-17-101(2)(a).

2.60.1. "Public Project" is defined as:

- (a) any construction, alteration, repair, demolition, or improvement of any land, building, structure, facility, road, highway, bridge, or other public improvement suitable for and intended for use in the promotion of the public health, welfare, or safety and any maintenance programs for the upkeep of such projects;
- (b) for which appropriate or expenditure of moneys may be reasonably expected to be \$500,000.00 or more in the aggregate for any fiscal year;
- (c) except any project that receives federal moneys.

3.0. Statement of Work

- 3.1. General:** The City is soliciting competitive bids from qualified and interested Contractors for all labor, equipment, materials, and supplies required for the Persigo Wastewater Treatment Plant (WWTP) Sidewalk Replacement Project. All dimensions and Scope of Work should be verified by Contractors prior to submission of bids.

The descriptions of the pay items listed in the Price Bid Schedule for this Project may not agree with those listed in the Standard Specifications. Payment for all Work performed, as required in the Contract Documents, will be in accordance with the items and units listed in the Price Bid Schedule.

The performance of the Work for this Project shall conform to the General Contract Conditions presented in the City of Grand Junction's [Standard Contract Documents for Capital Improvements Construction](#), revised July 2010, except as specifically modified or supplemented herein or on the Construction Drawings.

- 3.2. Project Description:** Concrete replacement project located at the City of Grand Junction's Persigo Wastewater Treatment Plant. This project generally includes removing approximately 132 square yards of 4" thick concrete sidewalk and constructing 217 square yards of new 6" thick concrete sidewalk, 15 square yards of 4" thick concrete sidewalk, place, and compact Class 6 aggregate base course, construct one concrete curb ramp, and a small amount of asphalt patching.

3.3. Special Conditions & Provisions:

- 3.3.1. Non-Mandatory Pre-Bid Meeting:** Interested Contractors are strongly encouraged to attend a non-mandatory pre-bid meeting on **August 3, 2023, at 9:00 a.m.** Meeting location will be the **Persigo Wastewater Treatment Plant** Administration Building, Training Room, located at 2145 River Rd, Grand Junction, CO 81505. The purpose of this site visit meeting will be to inspect and clarify the contents of this Invitation for Bid (IFB). *Nothing stated during this site visit meeting will modify the solicitation. Only information provided in an addendum can modify the IFB.*

3.3.2. Questions Regarding Solicitation Process/Scope of Work:

Kathleen Franklin, Senior Buyer
City of Grand Junction
kathleenf@gjcity.org

- 3.3.3. Project Manager:** The Project Manager for the Project is Lee Cooper, Wastewater Project Manager, who can be reached at (970) 256-4155 or email leec@gjcity.org. During Construction, all notices, letters, submittals, and other communications directed to the City shall be addressed and mailed or delivered to:

City of Grand Junction
Persigo Wastewater Treatment Plant

Attn: Lee Cooper, Wastewater Project Manager
2145 River Rd.
Grand Junction, CO 81505

3.3.4. Contract Administrator: The Contract Administrator for the Project is Duane Hoff Jr., Contract Administrator, who can be reached at (970)244-1545. During Construction, Contract related inquiries, issues, and other communications shall be directed to:

Duane Hoff Jr., Contract Administrator
duaneh@gjcity.org

3.3.5. Prequalification: Contractors must be prequalified in the following category to submit a bid response to this project:

- Concrete Sidewalk, Curb, & Gutter (CDOT Work code 12)

Contractors may view its approved prequalified categories by clicking the [Prequalification List Link](#). Application form for prequalification is available by clicking the [Application Link](#). Call 970-256-4082 for additional information.

3.3.6. Affirmative Action: The Contractor is not required to submit a written Affirmative Action Program for the Project.

3.3.7. Pricing: Pricing shall be all inclusive to include but not be limited to: all labor, equipment, supplies, materials, freight (F.O.B. Destination – Freight Pre-paid and Allowed to each site), travel, mobilization costs, fuel, set-up and take down costs, and full-time inspection costs, and all other costs related to the successful completion of the project.

The Owner shall not pay nor be liable for any other additional costs including but not limited to: taxes, shipping charges, insurance, interest, penalties, termination payments, attorney fees, liquidated damages, etc.

3.3.8. Freight/Shipping: All freight/shipping shall be F.O.B. Destination – Freight Pre-Paid and Allowed to the project site(s), Grand Junction, CO.

Contractor must meet all federal, state, and local rules, regulations, and requirements for providing such services.

3.3.9. Contract: A binding Contract shall consist of: (1) the IFB and any amendments thereto, (2) Additional Documents as stated in Section 1.12, (3) the Bidder's response (bid) to the IFB, (4) clarification of the bid, if any, and (5) the City's Purchasing Department's acceptance of the bid by "Notice of Award" or by "Purchase Order." All Exhibits and Attachments included In the IFB shall be incorporated into the Contract by reference.

- A. The Contract expresses the complete agreement of the parties and, performance shall be governed solely by the specifications and requirements contained therein and other law as applicable.
- B. Any change to the Contract, whether by modification and/or supplementation, must be accomplished by a formal Contract amendment signed and approved by and between the duly authorized representative of the Bidder and the City Purchasing Division or by a modified Purchase Order prior to the effective date of such modification. The Bidder expressly and explicitly understands and agrees that no other method and/or no other document, including acts and oral communications by or from any person, shall be used or construed as an amendment or modification to the Contract.

3.3.10. Time of Completion: The scheduled time of Completion for the Project is **25 Calendar Days** from the starting date specified in the Notice to Proceed.

Completion is achieved when site cleanup and all punch list items (resulting from the final inspection) have been completed. Completion shall have the meaning set forth in Article I, Section 3 (Definitions and Terms) of the General Contract Conditions.

3.3.11. Working Days and Hours: The working days and hours shall be as stated in the General Contract Conditions or as mutually agreed upon in the preconstruction meeting with the following exception:

All Work will be performed Monday – Friday, between the hours of 7:00 a.m. to 5:00 p.m.

3.3.12. Licenses and Permits: Contractor is responsible for obtaining all necessary licenses and permits required for Construction, at Contractors expense. See Section 2.12. Contractor shall supply to Owner all copies of finalized permits.

3.3.13. Permits: The following permits are required for the Project and will be obtained by the City at no cost to the Contractor:

- None

The following permits are required for the Project and shall be obtained and paid for by the Contractor, with the costs included in the total bid price for the Project:

- None

3.3.14. City Furnished Materials: The City will furnish the following materials for the Project:

- AutoCAD drawings for survey staking.

3.3.15. Authorized Representatives of the City: Those authorized to represent the City shall include Purchasing Agent, Project Manager, Engineers, and Inspectors employed by the City, only.

3.3.16. Stockpiling Materials and Equipment: All stockpiling/storage shall be in accordance with General Contract Condition Section 51.

3.3.17. Clean-Up: The Contractor is responsible for cleaning up all loose materials which have been deposited or swept into gutters, and onto sidewalks and driveways as a result of sidewalk operations. The costs for all clean-up Work shall be considered incidental and will not be paid for separately.

3.3.18. Quality Control Testing: Contractor and/or concrete supplier are responsible for Quality Control (QC) testing on the concrete. The City will perform all other necessary Quality Assurance (QA) testing on the Class 6 aggregate base course and the concrete.

The Contractor shall give the City Project Manager a minimum of 24 hours' notice for all testing needed. The City's consultant for all QA testing is RockSol Consulting Group.

3.3.19. Schedule of Submittals: Contractor shall deliver these submittals at least two days prior to the pre-construction meeting:

- Construction Schedule
- Concrete Mix Design
- Class 6 Aggregate Base Course
- Asphalt Mix Design
- Detectable Warnings (Truncated Domes)

3.3.20. Uranium Mill Tailings: It is anticipated that radioactive mill tailings will not be encountered on this Project.

3.3.21. Fugitive Petroleum or Other Contamination: It is anticipated that soil contamination from fugitive petroleum or other contaminants will not be encountered with the Project.

3.3.22. Excess Material: All excess materials shall be disposed in accordance with General Contract Conditions, Section 50.

3.3.23. Existing Utilities and Structures: Utilities were not potholed during design of this project. The location of existing utilities and structures show on the Plans is approximate with the information gathered during design. It is the responsibility of the Contractor to pothole/locate and protect all structures and utilities in accordance with General Contract Conditions, Section 37.

3.3.24. Incidental Items: Any item of Work not specifically identified or paid for directly, but which is necessary for the satisfactory completion of any paid items of Work, will be considered as incidental to those items, and will be included in the cost of those items.

3.3.25. Survey: The Contractor shall perform all necessary construction surveying for this project.

3.3.26. Work to be Performed by the City (Prior to Construction):

- None

3.3.27. Existing Concrete Sidewalks, Pans, Fillets, Curbs and Gutters: The existing sidewalks, pans, fillets, curb, and gutter are in good serviceable condition. In most instances the installation of new sidewalk and pavement will be adjacent to existing concrete. The Contractor will need to protect all concrete adjacent to construction. If the concrete is damaged during construction the Contractor will be responsible for its replacement at no cost to the City. The Contractor, the City Project Inspector, and/or the City Project Manager will walk and record any concrete that is deemed to be damaged before construction has started.

3.3.28. ACI Concrete and Flatwork Finisher and Technician: Hand finishing concrete will be permitted only when performed under the direct supervision of a craftsman holding the following certificate: ACI Concrete Flatwork Finisher and Technician (ACICFFT) or other Flatwork Finisher certification program approved by the City Engineering Manager.

3.3.29. Existing Irrigation/Sprinkler System: City staff at the Persigo WWTP will be responsible for relocating and/or repairing any sprinkler heads and/or broken irrigation pipes during this project. The City will work to relocate and/or plug the existing sprinkler heads that are near the existing concrete sidewalk prior to the Contractor starting its work.

3.3.30. Concrete Placement: Due to the location of the concrete sidewalks that are part of this project, the Contractor shall be prepared to use a concrete pumper truck to deliver concrete to the sidewalk locations.

3.4. Scope of Work: This project generally includes removing approximately 132 square yards of 4" thick concrete sidewalk and constructing 217 square yards of new 6" thick concrete sidewalk, 15 square yards of 4" thick concrete sidewalk, place, and compact Class 6 aggregate base course, construct one concrete curb ramp, and a small amount of asphalt patching.

3.5. Attached Documents:

- Appendix A: Project Submittal Form
- Appendix B: Construction Drawings

3.6. Contractor Bid Documents: For Contractor's convenience, the following is a list of forms/items to be submitted with the Contractor's bid response. However, should a form/item not be listed in this section, but required in the solicitation documents, it is the Contractor's responsibility to ensure all forms/items are submitted.

- **Contractor's Bid Form**
- **Price Bid Schedule Form**
- **Bid Bond**

3.7. IFB TENTATIVE TIME SCHEDULE:

Invitation For Bids available	July 17, 2023	
Non-Mandatory Pre-Bid Meeting	August 3, 2023,	9:00 a.m.
Inquiry deadline, no questions after this date	August 9, 2023	
Addendum Posted	August 11, 2023	
Submittal deadline for bids	August 16, 2023,	2:00 p.m.
City Council Approval <i>(if required)</i>	September 6, 2023	
Notice of Award & Contract execution	September 8, 2023	
Bonding & Insurance Cert due	September 15, 2023	
Preconstruction meeting	To Be Determined	
Work begins no later than	Receipt of Notice to Proceed	
Final Completion	25 Calendar Days from start date of Notice to Proceed	

Holidays:

Labor Day	September 4, 2023
-----------	-------------------

4.0. Contractor's Bid Form

Bid Date: _____

Project: IFB-5268-23-KF "Persigo WWTP Sidewalk Replacement Project"

Bidding Company: _____

Name of Authorized Agent: _____

Email: _____

Telephone: _____ Address: _____

City: _____ State: _____ Zip: _____

The undersigned Bidder, in compliance with the Invitation for Bids, having examined the Instruction to Bidders, General Contract Conditions, Statement of Work, Specifications, and any and all Addenda thereto, having investigated the location of, and conditions affecting the proposed Work, hereby proposes to furnish all labor, materials and supplies, and to perform all Work for the Project in accordance with Contract Documents, within the time set forth and at the prices stated below. These prices are to cover all expenses incurred in performing the Work required under the Contract Documents, of which this Contractor's Bid Form is a part.

The undersigned Contractor does hereby declare and stipulate that this offer is made in good faith without collusion or connection to any person(s) providing an offer for the same Work, and that it is made in pursuance of, and subject to, all terms and conditions of the Instructions to Bidders, the Specifications, and all other Solicitation Documents, all of which have been examined by the undersigned.

The Contractor also agrees that if awarded the Contract, to provide insurance certificates within ten (10) working days of the date of Notification of Award. Submittal of this offer will be taken by the Owner as a binding covenant that the Contractor will be prepared to complete the project in its entirety.

The Owner reserves the right to make the award on the basis of the offer deemed most favorable, to waive any formalities or technicalities and to reject any or all offers. It is further agreed that this offer may not be withdrawn for a period of sixty (60) calendar days after closing time. Submission of clarifications and revised offers automatically establish a new thirty-day (30) period.

Prices in the bid proposal have not knowingly been disclosed with another provider and will not be prior to award.

- Prices in this bid proposal have been arrived at independently, without consultation, communication, or agreement for the purpose of restricting competition.
- No attempt has been made nor will be to induce any other person or firm to submit a bid proposal for the purpose of restricting competition.
- The individual signing this bid proposal certifies it is a legal agent of the Bidder, authorized to represent the Bidder and is legally responsible for the bid with regard to supporting documentation and prices provided.
- Direct purchases by the City of Grand Junction are tax exempt from Colorado Sales or Use Tax. Tax exempt No. 98-03544. The undersigned certifies that no Federal, State, County or Municipal tax will be added to the above quoted prices.
- City of Grand Junction payment terms shall be Net 30 days.
- Prompt payment discount of _____ percent of the net dollar will be offered to the Owner if the invoice is paid within _____ days after the receipt of the invoice. The Owner reserves the right to take into account any such discounts when determining the bid award that are no less than Net 10 days.

RECEIPT OF ADDENDA: the undersigned Contractor acknowledges receipt of Addenda to the Solicitation, Specifications, and other Contract Documents.

State number of Addenda received: _____

It is the responsibility of the Bidder to ensure all Addenda have been received and acknowledged.

By signing below, the Undersigned agree to comply with all terms and conditions contained herein.

Company: _____

Authorized Signature: _____

Title: _____

The undersigned Bidder proposes to subcontract the following portion of Work:

<u>Name & address of Sub-Contractor</u>	<u>Description of Work to be performed</u>	<u>% of Contract</u>
_____	_____	_____
_____	_____	_____
_____	_____	_____

The undersigned Bidder acknowledges the right of the City to reject any and all Bids submitted and to waive informalities and irregularities therein in the City's sole discretion.

By submission of the Bid, each Bidder certifies, and in the case of a joint Bid each party thereto certifies as to its own organization, that this Bid has been arrived at independently, without collusion, consultation, communication, or agreement as to any matter relating to this Bid with any other Bidder or with any competitor.

Bid Schedule: IFB-5268-23-K "Persigo WWTP Sidewalk Replacement"

Item No.	CDOT, City Ref.	Description	Quantity	Units	Unit Price	Total Price
1	202	Removal of Asphalt Mat (Full Depth)	5.	Sq. Yd.	\$ _____	\$ _____
2	202	Removal of Concrete (Includes, but not limited to, curb, gutter, sidewalk, driveway, slabs, V-pans, curb ramps, intersection corners, aprons, landscape borders, and concrete walls)	132.	Sq. Yd.	\$ _____	\$ _____
3	202	Removal of Sod	1,209.	Sq. Ft.	\$ _____	\$ _____
4	208	Concrete Washout Facility	1.	Each	\$ _____	\$ _____
5	304	Aggregate Base Course (Class 6) (6" Thick)	15.	Sq. Yd.	\$ _____	\$ _____
6	304	Aggregate Base Course (Class 6) (8" Thick)	255.	Sq. Yd.	\$ _____	\$ _____
7	401	Hot Bituminous Pavement (Patching) (5 " Thick) (Grading SX, PG 64-22) (GYR.=75) (One 3" Lift Bottom Mat, One 2" Lift Top Mat)	5.	Sq. Yd.	\$ _____	\$ _____
8	608	Concrete Curb Ramp (6" Thick) (Class D, 4,500 psi Mix Design) (See City Std. Detail C-07)	16.	Sq. Yd.	\$ _____	\$ _____
9	608	Concrete Sidewalk (4" Thick) (Class D, 4,500 psi Mix Design)	15.	Sq. Yd.	\$ _____	\$ _____
10	608	Concrete Sidewalk (6" Thick) (10' Wide) (Class D, 4,500 psi Mix Design)	217.	Sq. Yd.	\$ _____	\$ _____
11	608	Detectable Warning (Wet Set) (6 Total) (Cast Iron Style)	24.	Sq. Ft.	\$ _____	\$ _____
12	620	Portable Sanitary Facility	1.	Each	\$ _____	\$ _____
13	625	Construction Surveying	1.	Lump Sum	\$ _____	\$ _____
14	626	Mobilization	1.	Lump Sum	\$ _____	\$ _____
MCR		Minor Contract Revisions	---	---	---	\$ <u>3,000.00</u>

Bid Amount: \$ _____

Total Bid Amount written:

_____ **dollars**

Bid Schedule: Persigo WWTP Sidewalk Replacement

Item No.	CDOT, City Ref.	Description	Quantity	Units	Unit Price	Total Price
----------	-----------------	-------------	----------	-------	------------	-------------

Contractor Name:
Contractor Address:
Contractor Phone #:

Appendix A
Project Submittal Form

PROJECT SUBMITTAL FORM

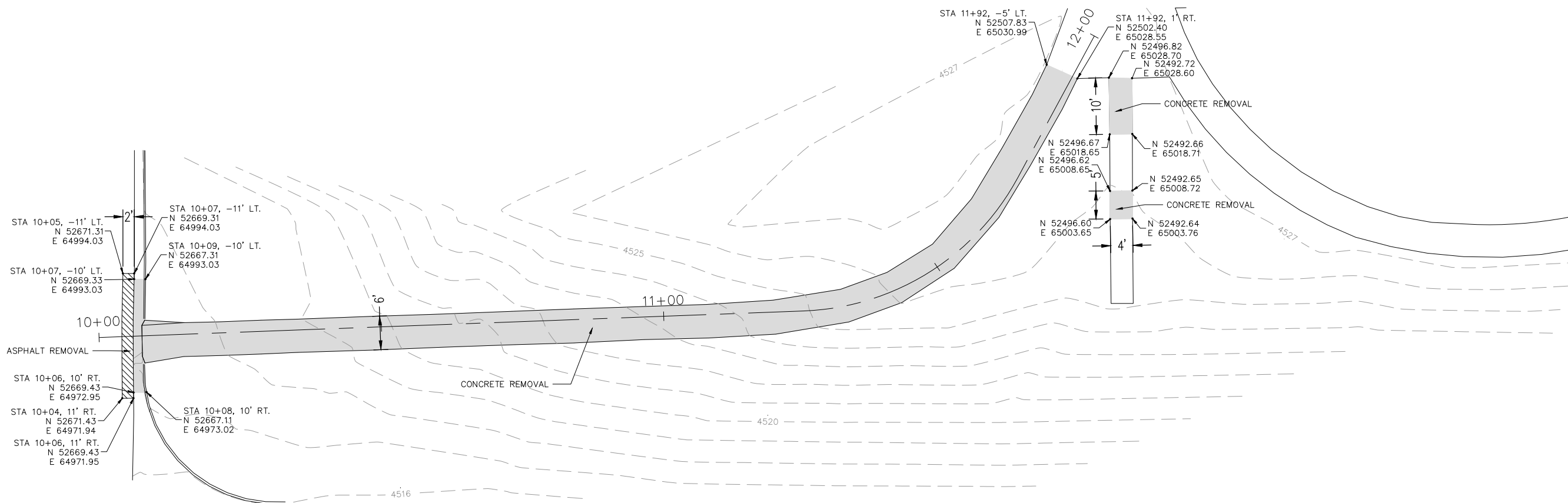
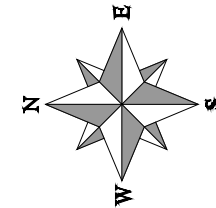
PROJECT: IFB-5268-23-KF “Persigo WWTP Sidewalk Replacement Project”

CONTRACTOR: _____

PROJECT MANAGER: Lee Cooper, P.E.

STREET & SIDEWALK CONSTRUCTION				
Description	Date Received	Resubmittal Requested	Resubmittal Received	Date Accepted
Asphalt Mix Design: Grading SX, Binder Grade PG 64-22				
Aggregate Base Course Gradation, Proctor Curve Class 6				
Concrete Mix Design - (CDOT Class D, 4500 psi @ 28-day)				
Detectable Warnings (Truncated Domes)				
PERMITS, PLANS, OTHER				
Construction Schedule				

Appendix B
Construction Drawings



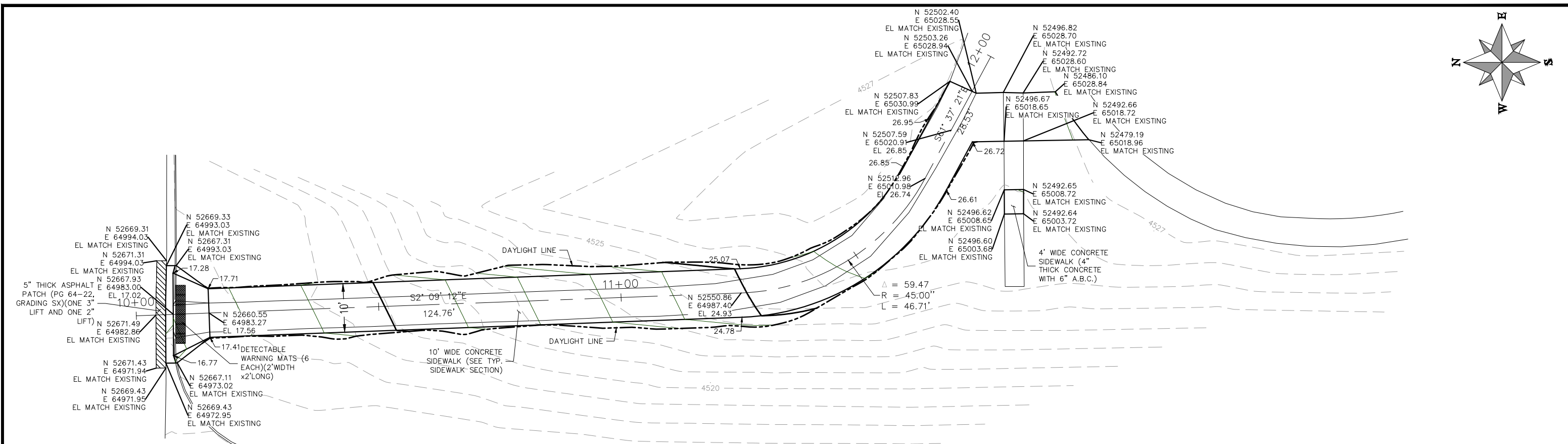
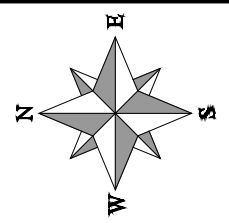
REVISION	DESCRIPTION	DATE	PROJECT NO. F210703
REVISION Δ XXX		202X	DRAWN BY DJM DATE 06/2023
REVISION Δ XXX		202X	DESIGNED BY LC DATE 06/2023
REVISION Δ XXX		202X	CHECKED BY LC DATE 06/2023
REVISION Δ XXX		202X	APPROVED BY LC DATE 06/2023

SCALES: PLAN & PROFILE	
HORIZONTAL: 1" = 20'	0 5 10 20
VERTICAL: 1" = 5'	0 1.25 2.5 5

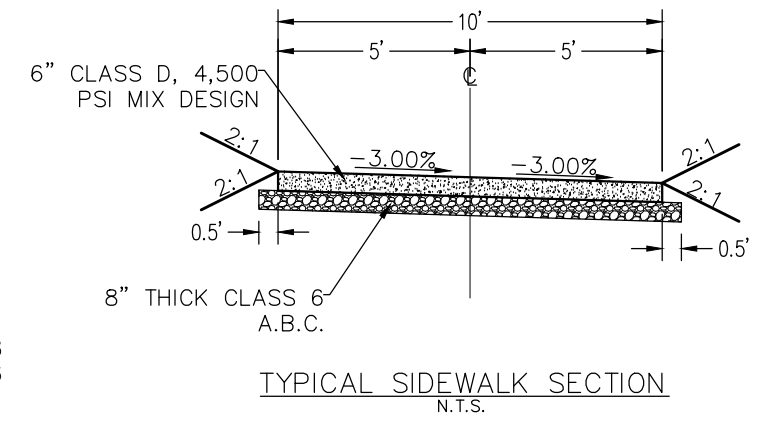
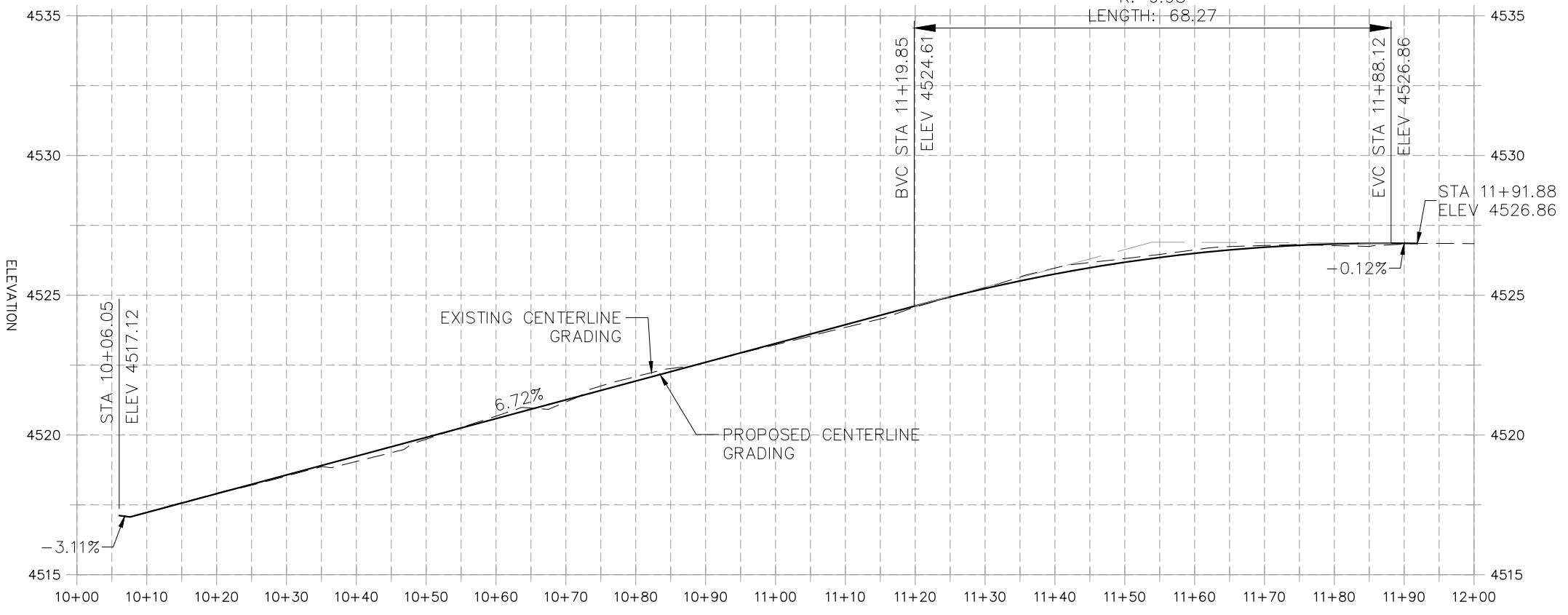


PUBLIC WORKS
ENGINEERING DIVISION

PERSIGO SIDEWALK REPLACEMENT
REMOVAL PLAN
STA 10+00 TO STA 12+00



HP STA: 11+86.90
 HP ELEV: 4526.862
 PVI STA: 11+53.95
 PVI ELEV: 4526.90
 K: 9.98
 LENGTH: 68.27



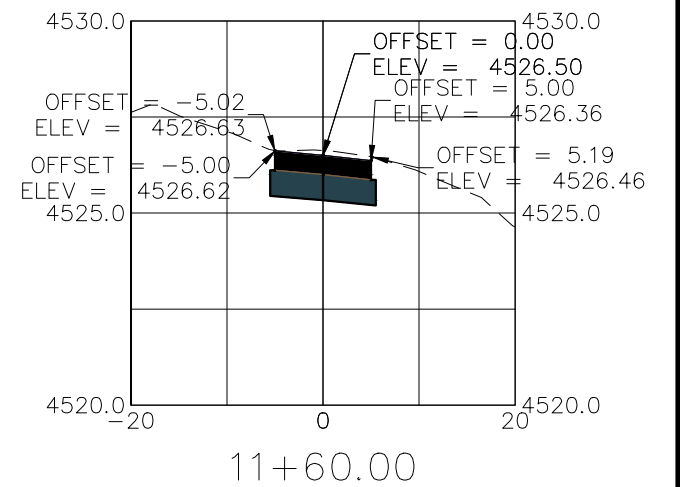
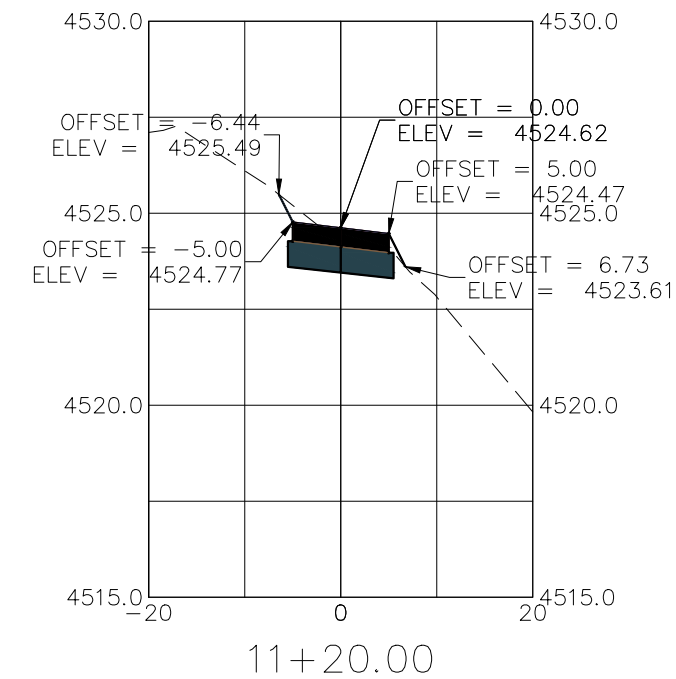
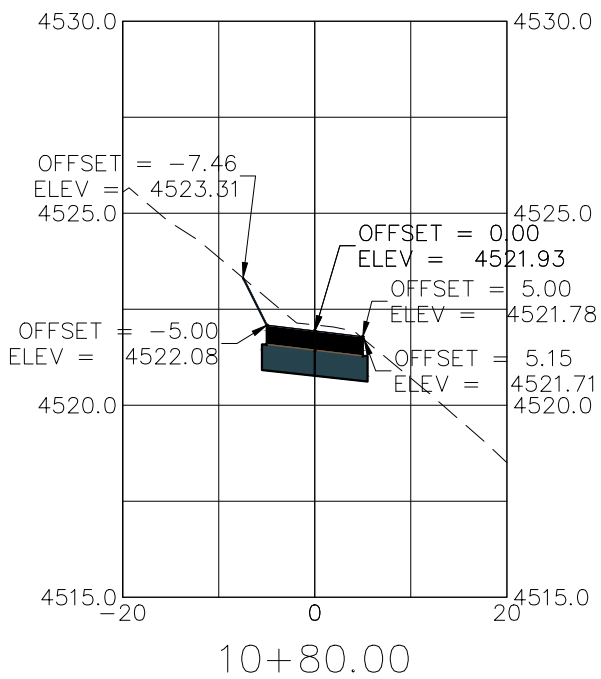
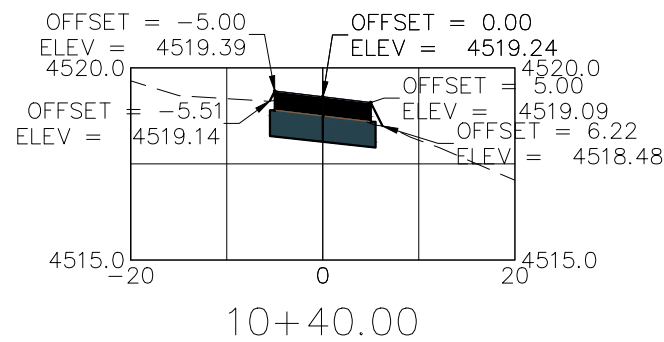
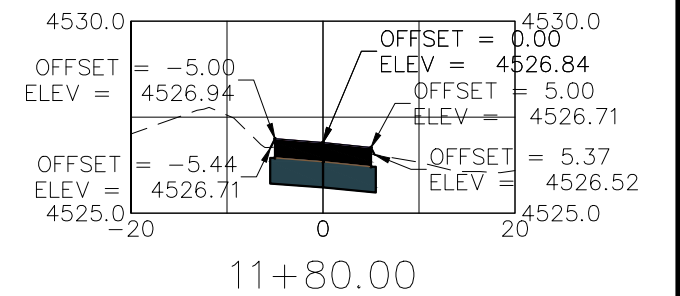
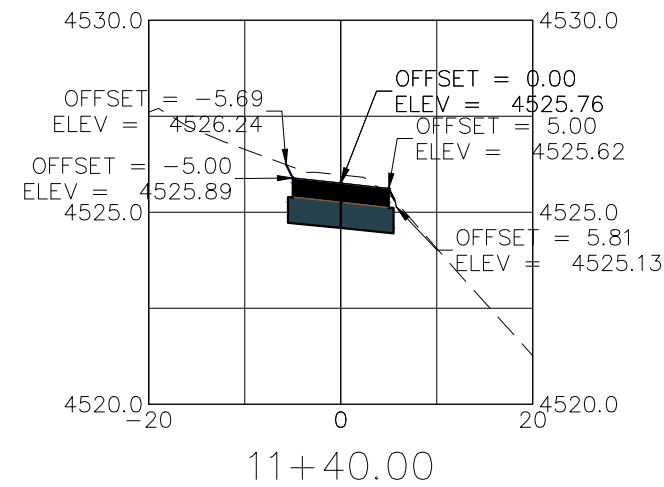
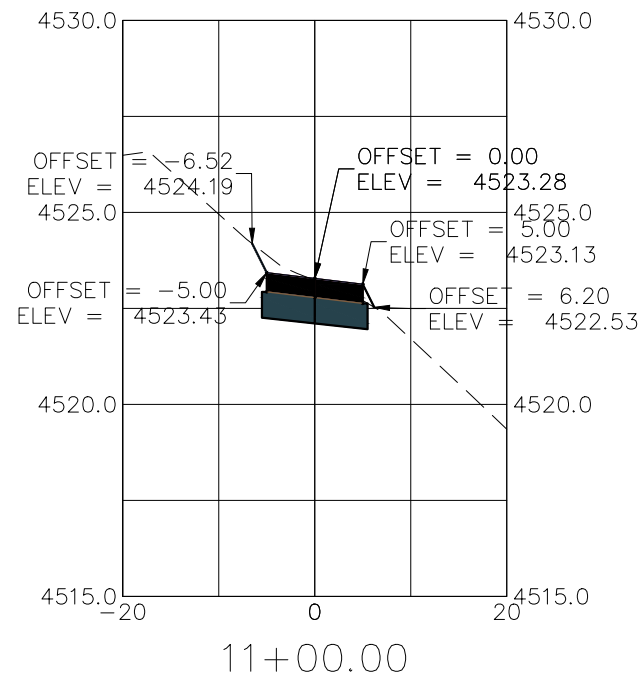
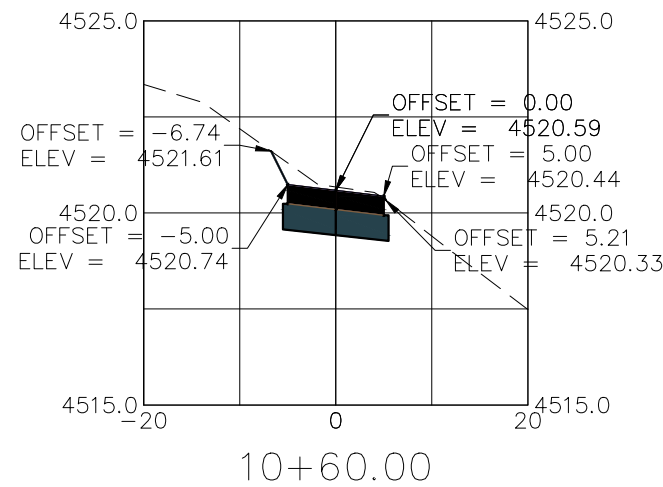
REVISION	DESCRIPTION	DATE	PROJECT NO. F210703
REVISION Δ XXX		202X	
REVISION Δ XXX		202X	
REVISION Δ XXX		202X	
REVISION Δ XXX		202X	

SCALE	DATE
SCALE: PLAN & PROFILE	DATE 06/2023
HORIZONTAL: 1" = 20'	DATE 06/2023
VERTICAL: 1" = 5'	DATE 06/2023
	DATE 06/2023



**PUBLIC WORKS
ENGINEERING DIVISION**

**PERSIGO SIDEWALK REPLACEMENT
SIDEWALK PLAN AND PROFILE
STA 10+00 TO STA 12+00**



REVISION	DESCRIPTION	DATE	PROJECT NO. F210703
△ XXX		202X	
△ XXX		202X	
△ XXX		202X	
△ XXX		202X	

DATE	PROJECT NO. F210703
06/2023	
06/2023	
06/2023	
06/2023	

SCALES: PLAN & PROFILE
HORIZONTAL: 1" = 20'
VERTICAL: 1" = 5'



PUBLIC WORKS
ENGINEERING DIVISION

PERSIGO SIDEWALK REPLACEMENT
SIDEWALK CROSS SECTIONS
STA 10+00 TO STA 12+00