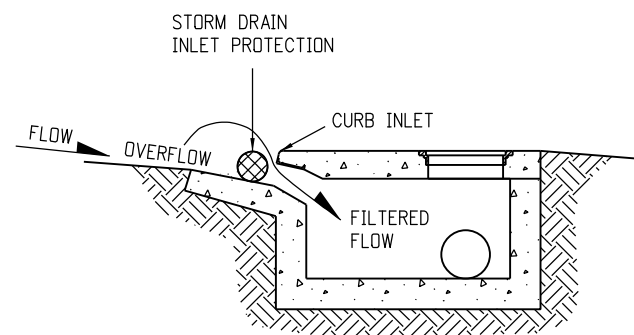


PLAN VIEW

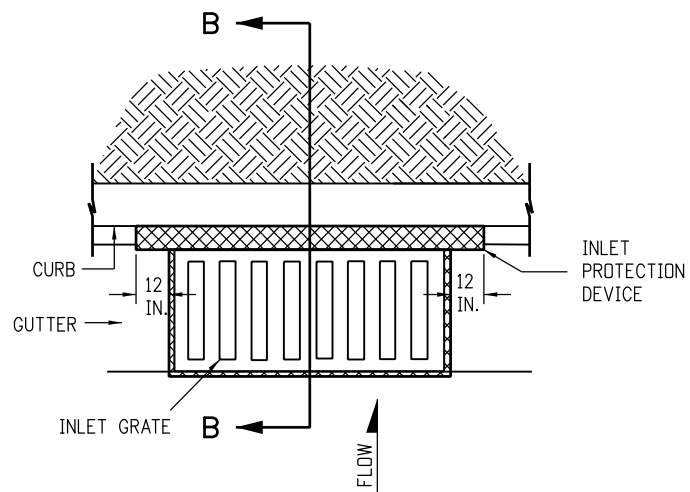


SECTION A-A

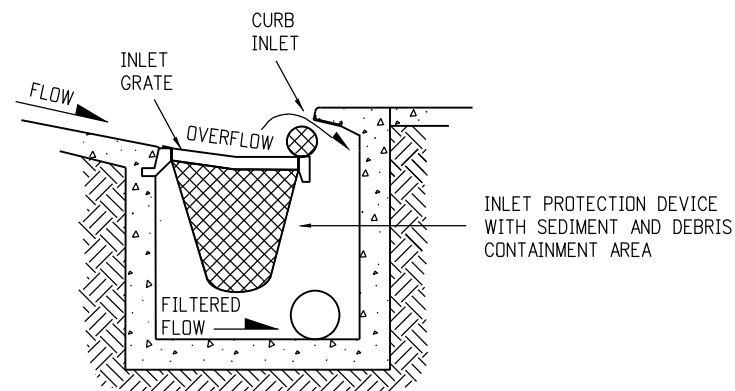
STORM DRAIN INLET PROTECTION (TYPE I)

NOTES:

1. INLET PROTECTION DEVICE SHALL EXTEND 12 INCHES PAST EACH END OF THE INLET.
2. THE PAY ITEM NUMBERS FOR STORM DRAIN INLET PROTECTION (TYPE I) ARE 208-00051 (LF), 208-00053 84 INCHES (EACH), 208-00057 144 INCHES (EACH), AND 208-00058 204 INCHES (EACH).
3. FOR STORM DRAIN INLET TYPES I AND II, IF THERE IS A MINIMUM CLEARANCE OF 3 FEET FROM THE EDGE OF THE TRAVELED WAY TO THE FACE OF CURB, USE THE AGGREGATE BAGS AT STORM DRAIN INLET (TYPE I) DETAIL ON SHEET 4 INSTEAD.



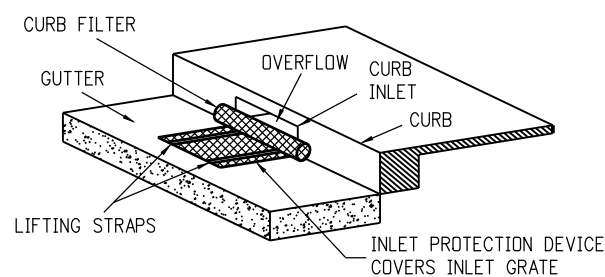
PLAN VIEW



SECTION B-B

OPTION A

STORM DRAIN INLET PROTECTION (TYPE II)

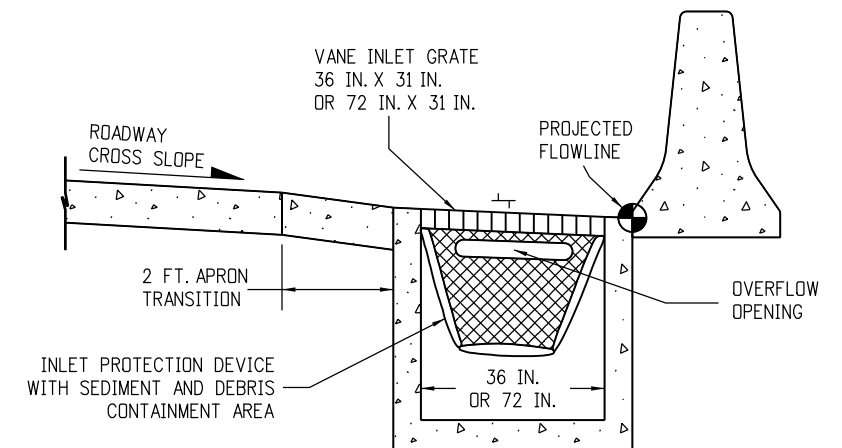


ISOMETRIC VIEW

OPTION B

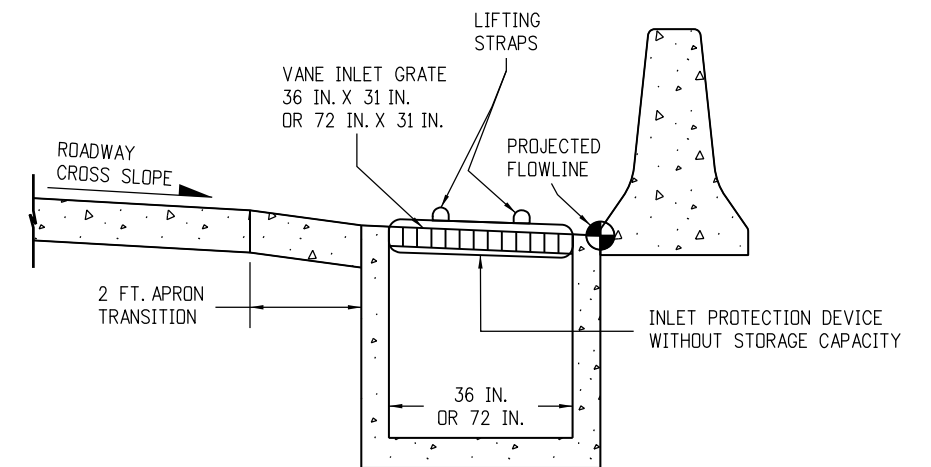
STORM DRAIN INLET PROTECTION (TYPE II)

NOTE: THE PAY ITEM NUMBERS FOR STORM DRAIN INLET PROTECTION (TYPE II) ARE 208-00054 (EACH).



OPTION A

STORM DRAIN INLET PROTECTION (TYPE III)



OPTION B

STORM DRAIN INLET PROTECTION (TYPE III)

NOTE: THE PAY ITEM NUMBER FOR STORM DRAIN INLET PROTECTION (TYPE III) (EACH) IS 208-00056.

STORM DRAIN INLET PROTECTION TYPES

Computer File Information		Sheet Revisions		Colorado Department of Transportation 2829 West Howard Place CDDT HQ, 3rd Floor Denver, CO 80204 Phone: 303-757-9021 FAX: 303-757-9868 Project Development Branch	<h1>TEMPORARY EROSION CONTROL</h1>	STANDARD PLAN NO.	
Creation Date: 07/31/19		Date:	Comments:			M-208-1	
Designer Initials: JBK	(R-X)					Standard Sheet No. 5 of 11	
Last Modification Date: 07/31/19	(R-X)						
Detailer Initials: LTA	(R-X)						
CAD Ver.: MicroStation V8 Scale: Not to Scale Units: English	(R-X)			Project Development Branch	JBK	Issued by the Project Development Branch: July 31, 2019	
						Project Sheet Number:	