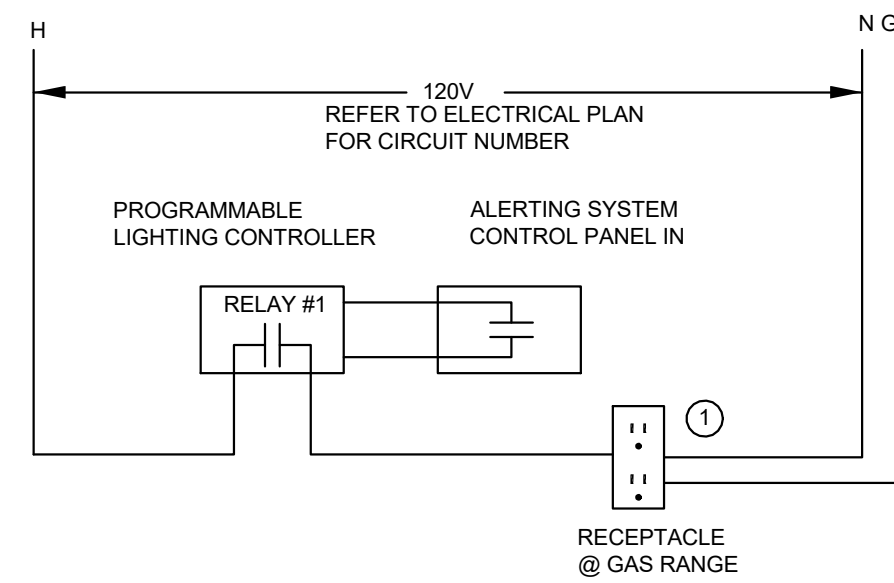


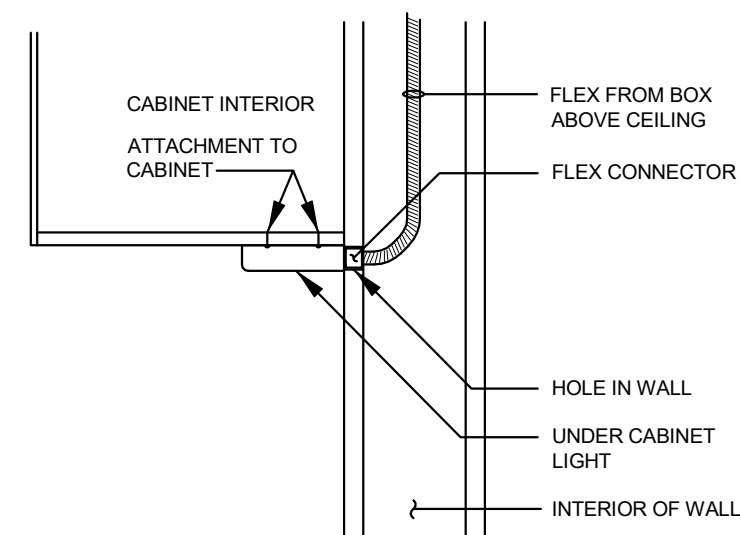
1 SYSTEMS - FLOOR PLAN  
1/8" = 1'-0"



**GAS RANGE CONTROL WIRING DIAGRAM**

NO SCALE

1 CONTROL CIRCUIT FOR GAS RANGE TO BE DE-ENERGIZED BY ALERTING SYSTEM WHEN FIREMEN ARE ON A CALL TO PREVENT RANGE AUTO PILOT FROM CONTINUALLY LIGHTING WHEN GAS VALVE IS CLOSED.

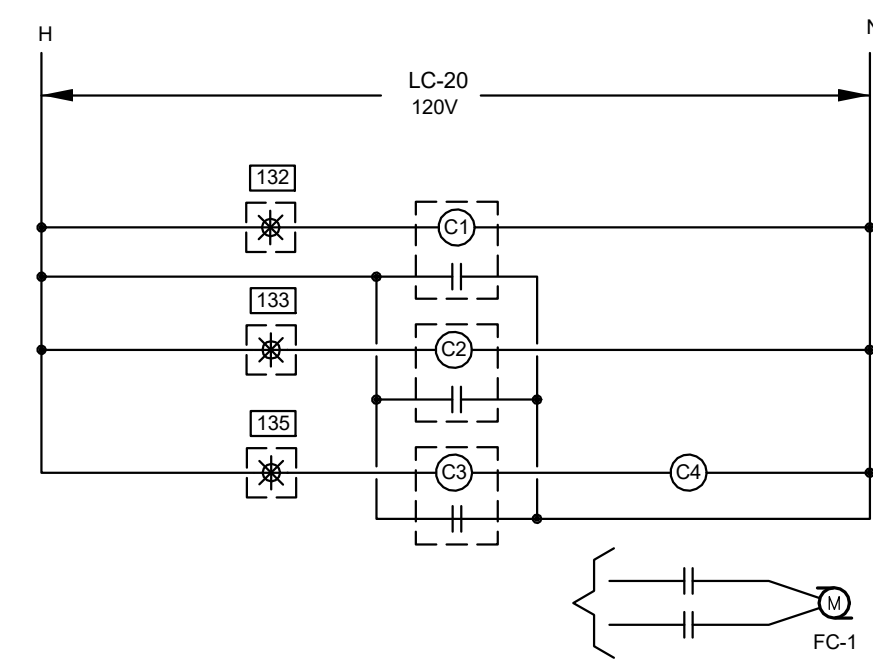


**INSTALLATION DETAIL - TASK LIGHT**

NO SCALE

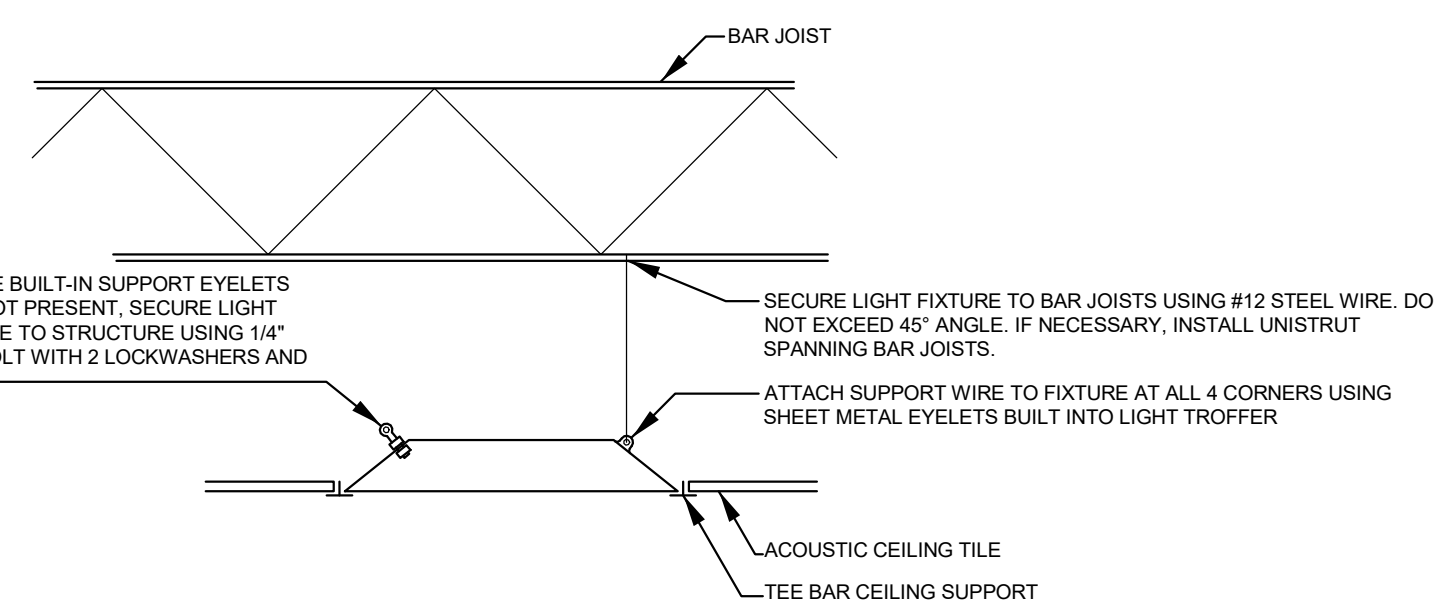
CONCEAL WIRING OF TASK LIGHTS AS FOLLOWS:

- CUT A HOLE IN THE WALL AT THE HEIGHT OF THE UNDER CABINET LIGHT LARGE ENOUGH TO ACCOMMODATE THE FLEX CONNECTOR.
- PULL 6" OF FLEX THROUGH THE WALL AND TERMINATE IT ON THE UNDER CABINET LIGHT.
- PUSH THE ASSEMBLY INTO THE WALL SO THAT THE FIXTURE IS AGAINST THE WALL AND THE FLEX AND CONNECTOR ARE CONCEALED INSIDE THE WALL. CONNECT THE UNDER CABINET LIGHT TO UNDERSIDE OF THE CABINET.



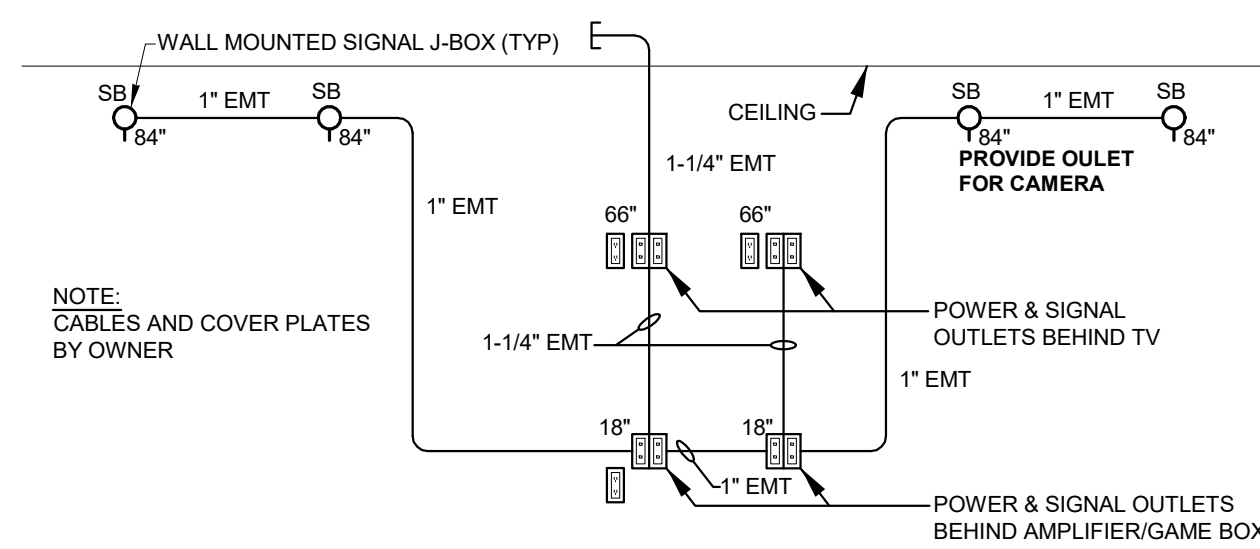
**FAN COIL WIRING DIAGRAM (FC-1)**

NO SCALE



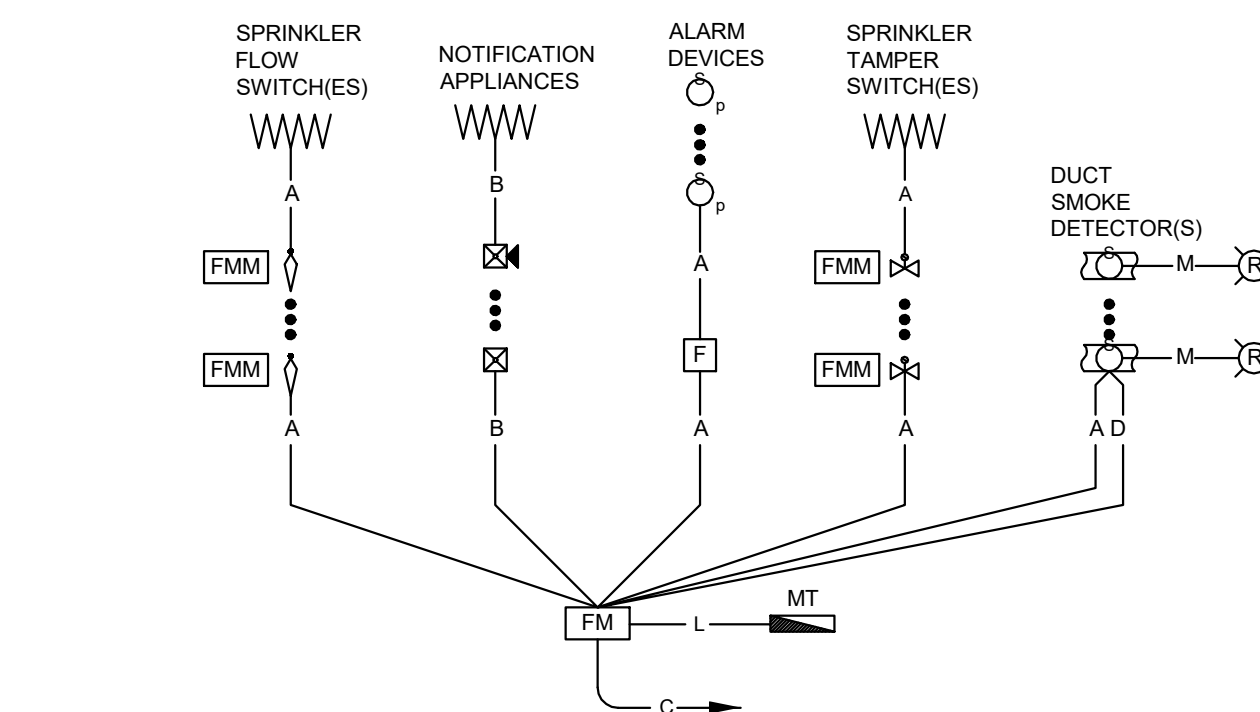
**SEISMIC SUPPORT OF RECESSED LIGHTS**

NO SCALE



**LOUNGE - TV/SURROUND SOUND**

NO SCALE



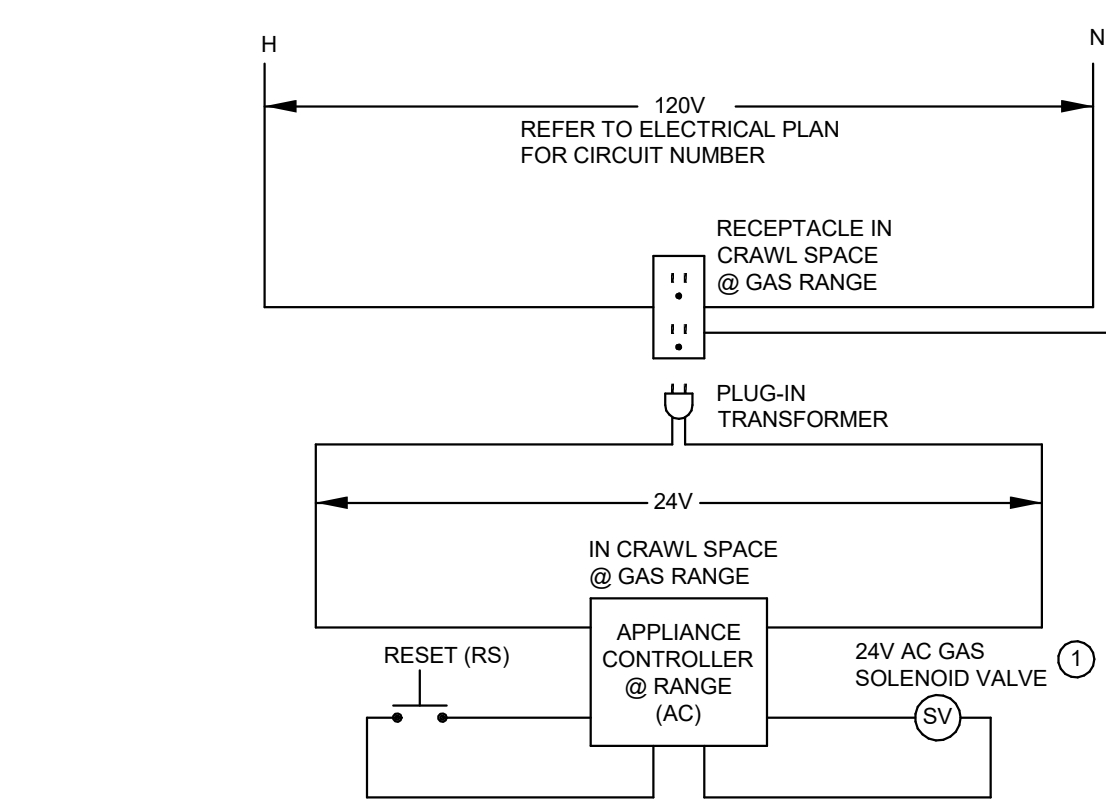
**FIRE ALARM SYSTEM RISER**

NO SCALE

**ADDRESSABLE FIRE ALARM SYSTEM**

DESIG-NATION	DEVICE DESCRIPTION	MANUFACTURER CATALOG NUMBER ALTERNATE MANUFACTURERS	BOX DESCRIPTION	COVER DESCRIPTION
[FA]	ADDRESSABLE FIRE ALARM: ANNUNCIATOR, RATED 24 VDC, 80 CHARACTER BACKLIT LIQUID CRYSTOL DISPLAY WITH CONTROL SWITCHES FOR ACKNOWLEDGE, SILENCE AND RESET, TIME & DATE DISPLAY, ENABLE KEY SWITCH & LOCAL ALARM.	NOTIFIER LCD-80	9.9" H X 4.6" W X 2.5" D NOTIFIER #ABF-1B, STEEL, WITH KNOCKOUTS, WALL FLUSH MOUNTING.	NONE REQUIRED
[FM]	ADDRESSABLE FIRE ALARM: DIGITAL TRANSMITTER, RATED 24 VDC, 14 TRANSMISSIONS PER HOUR, DUAL PHONE LINES, KEYBOARD, 4 CHARACTER LED DISPLAY, TRANSMITS ALARM & TROUBLE SOFTWARE ZONES, SYSTEM TROUBLE AND SUPERVISORY ALARMS.	NOTIFIER 411UDACT	9.9" H X 4.6" W X 2.5" D NOTIFIER #ABF-8R, STEEL, WITH KNOCKOUTS, WALL FLUSH MOUNTING.	NONE REQUIRED
[CO]	ADDRESSABLE FIRE ALARM: SILVER COLOR, DUCT SMOKE DETECTOR, BUILT-IN DPDT RELAY, SAMPLE TUBE, PHOTOELECTRIC TYPE, RATED 24 VDC. PROVIDE SEPARATE REMOTE ALARM INDICATOR WITH TEST SWITCH.	NOTIFIER FSC-751RP & RTS-451	NONE REQUIRED	NONE REQUIRED
[X]	ADDRESSABLE FIRE ALARM: HORN/STROBE, RATED 24 VDC, CANDELA OUTPUT FIELD SELECTABLE AMONG 15, 15/75, 30, 75, AND 110, FIELD SELECTABLE HORN TONES, SYNCHRONIZABLE, AND WHITE COLOR.	NOTIFIER P1224MC	4" SQ X 2 1/8" DEEP, STEEL, WITH KNOCKOUTS, WALL FLUSH MOUNTING.	NONE REQUIRED
[E]	ADDRESSABLE FIRE ALARM: PULL STATION, RATED 24 VDC, DUAL ACTION WITH BI-COLOR ALARM STATUS LED, KEY RESET, AND BRAILLE TEXT ON HANDLE.	NOTIFIER NBG-12LX	4" SQ X 2 1/8" DEEP, STEEL, WITH KNOCKOUTS, WALL FLUSH MOUNTING.	NONE REQUIRED
[FMM]	ADDRESSABLE FIRE ALARM: MONITOR MODULE, RATED 24 VDC, MONITORS SPRINKLER FLOW AND TAMPER SWITCHES, GENERATING AN ALARM AT THE SET ADDRESS ON DEVICE CONTACT CLOSURE. 159 ADDRESSES AVAILABLE.	NOTIFIER FMM-101	4" SQ X 2 1/8" DEEP, STEEL, WITH KNOCKOUTS, WALL FLUSH MOUNTING.	NONE REQUIRED
[FMI]	ADDRESSABLE FIRE ALARM: MAIN PANEL, BATTERY BACKED, RATED 3A @ 120V, CAPABLE OF 301 TOTAL I/O POINTS, 99 INTELLIGENT DETECTORS, 99 ADDRESSABLE MODULES, 99 PROGRAMMABLE SOFTWARE ZONES AND 4 NAC CIRCUITS.	NOTIFIER AFP-200	16" H X 14.5" W X 5.5" D, STEEL, WITH KNOCKOUTS, WALL SURFACE MOUNTING.	NONE REQUIRED
[X]	ADDRESSABLE FIRE ALARM: WHITE COLOR, STROBE, RATED 24 VDC, CANDELA OUTPUT FIELD SELECTABLE AMONG 15, 15/75, 30, 75, AND 110, FIELD SELECTABLE.	S1224MC	4" SQ X 2 1/8" DEEP, STEEL, WITH KNOCKOUTS, WALL FLUSH MOUNTING.	NONE REQUIRED
[O]	ADDRESSABLE FIRE ALARM: SMOKE DETECTOR, RATED 24 VDC, LASER DEVICE, WITH 2 LED ALARM STATE INDICATORS, BUILT-IN MAGNETIC TEST SWITCH, HIGH SENSATIVITY.	NOTIFIER LPX751L + P710P BASE	4" SQ X 2 1/8" DEEP, STEEL, WITH KNOCKOUTS, WALL FLUSH MOUNTING.	NONE REQUIRED
[135 F]	ADDRESSABLE FIRE ALARM: WHITE COLOR, HEAT DETECTOR, NOTIFIER RATED 24 VDC, 135 DEGREE F FIXED TEMPERATURE/RATE OF RISE.	FST-851R B710LPBP BASE	4" SQ X 2 1/8" DEEP, STEEL, WITH KNOCKOUTS, WALL FLUSH MOUNTING.	NONE REQUIRED
[200 F]	OF RISE.	FST-851H B710LPBP BASE	4" SQ X 2 1/8" DEEP, STEEL, WITH KNOCKOUTS, WALL FLUSH MOUNTING.	NONE REQUIRED

NOTES: DEVICES BY MANUFACTURERS WHICH ARE NOT LISTED IN THE SCHEDULE REQUIRE 5-DAY WRITTEN PRIOR APPROVAL.



**GAS SOLENOID VALVE WIRING DIAGRAM**

NO SCALE

1 GAS SOLENOID VALVE TO BE DE-ENERGIZED (CLOSED) BY ALERTING SYSTEM WHEN FIREMEN ARE ON A CALL.

**NOTES REFERENCED ON THE PLANS**

- ROUGH-IN FOR DOOR ACCESS CONTROL CARD READER. PROVIDE 1/2" EMT RACEWAY FROM BOX TO ACCESSIBLE LOCATION ABOVE CEILING. PROVIDE RACEWAY FROM ELECTRIC STRIKE IN DOOR FRAME TO ACCESSIBLE LOCATION ABOVE CEILING. WIRE SYSTEM PER DOOR ACCESS CONTROL SYSTEM SUBMITTAL WIRING DIAGRAM.
- PROVIDE FLUSH SIGNAL BOX AND 1" EMT TO SPACE ABOVE THE LOBBY CEILING FOR OWNER'S TELEPHONE INTERCOM.
- PROVIDE JUNCTION BOX AND EMPTY 1" CONDUIT WITH PULL STRINGS BETWEEN ALL JUNCTION BOXES FOR FUTURE SURROUND SOUND SYSTEM.
- PROVIDE TWO 2" EMT CONDUITS FROM THE IT ROOM TO TWO 6" X 12" X 12" PULL BOXES ON THE UNDER SIDE OF THE ROOF TRUSSES FOR NETWORK AND TELEPHONE, AND THE RADIO ANTENNA. PROVIDE A THIRD EMT CONDUIT FROM THE IT ROOM TO BUNKER GEAR #133, BYPASSING THE PULLBOXES FOR COAXIAL CABLES. PROVIDE ADDITIONAL PULLING POINTS AS NECESSARY TO LIMIT BENDS TO THREE 90'S.
- PROVIDE A 2" EMT CONDUIT FROM THE PULL BOX TO THE HOSE TOWER ROOF. COORDINATE RISER AND ROOF PENETRATION LOCATIONS WITH OWNER. PROVIDE ADDITIONAL PULLING POINTS AS NECESSARY TO LIMIT BENDS TO THREE 90'S.

**FIRE ALARM SYSTEM CABLES**

LETTER	DESCRIPTION
A	SIGNALING LINE CIRCUIT - #18/2 SOLID SHIELDED PLENUM RATED FIRE ALARM - BELDEN #5220FN
B	NOTIFICATION APPLIANCE CIRCUIT - #14/2 SOLID PLENUM RATED FIRE ALARM - BELDEN #5120UN
C	120 VOLT POWER CIRCUIT - 1/2 EMT 2 #12 & #12 GROUND COPPER
D	24 VOLT POWER CABLE - #16/2 SOLID PLENUM RATED FIRE ALARM - BELDEN #5220UN
H	ANNUNCIATOR CABLE - 2 #16/2 SOLID SHIELDED AND 1 #16/2 SOLID UNSHIELDED PLENUM RATED FIRE ALARM - TWO BELDEN #5220FN & ONE BELDEN #5220UN
L	DIALER CIRCUIT - 4 PAIR CATEGORY 5 CABLE - BELDEN #1624P
M	REMOTE TEST CIRCUIT - 184 SOLID PLENUM RATED FIRE ALARM - BELDEN #5320UN

**FIRE ALARM SYSTEM SEQUENCE OF OPERATION**

SYSTEM ACTIONS	SMOKE DETECTOR	HEAT DETECTOR	DUCT SMOKE DETECTOR	PULL STATION	SPRINKLER FLOW SWITCH	TAMPER SWITCH
ACTIVATES SYSTEM NOTIFICATION APPLIANCES	X	X		X	X	
ACTIVATES SYSTEM SUPERVISORY ALARM						X
DISPLAYS AT MAIN FIRE ALARM PANEL	X	X	X	X	X	
RELEASES MAGNETICALLY HELD DOORS	X	X	X			
SHUTS DOWN ASSOCIATED AIR HANDLING UNIT			X			
CLOSES FIRE/SMOKE DAMPER	X		X			
ACTIVATES DIALER GENERAL ALARM SIGNAL	X	X	X			
ACTIVATES DIALER FLOW ALARM SIGNAL					X	
ACTIVATES DIALER SUPERVISORY SIGNAL						X
ACTIVATES EXTERIOR HORN/STROBE ABOVE FIRE DEPARTMENT CONNECTION	X	X			X	

CHAMBERLIN ARCHITECTS

437 Main St.  
Grand Junction, Colorado 81501  
T 970.242.6804

725 Saint Joseph St., Suite B1  
Rapid City, South Dakota 57701  
T 605.355.6804

www.chamberlinarchitects.com

MARSTON - ELECTRICAL

Power / Lighting / Communications / Alarms  
(970) 778-9179  
marston-electrical@wcoengineers.com

a member of

THE ENGINEERING COLLABORATIVE

of Western Colorado  
(970) 256-0353  
www.wcoengineers.com

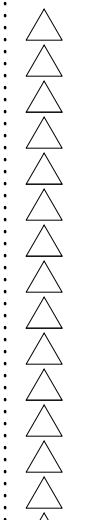


GRAND JUNCTION FIRE STATION #6

729 27 ROAD  
GRAND JUNCTION, COLORADO

SYSTEMS PLAN

NO: ISSUED FOR: DATE:



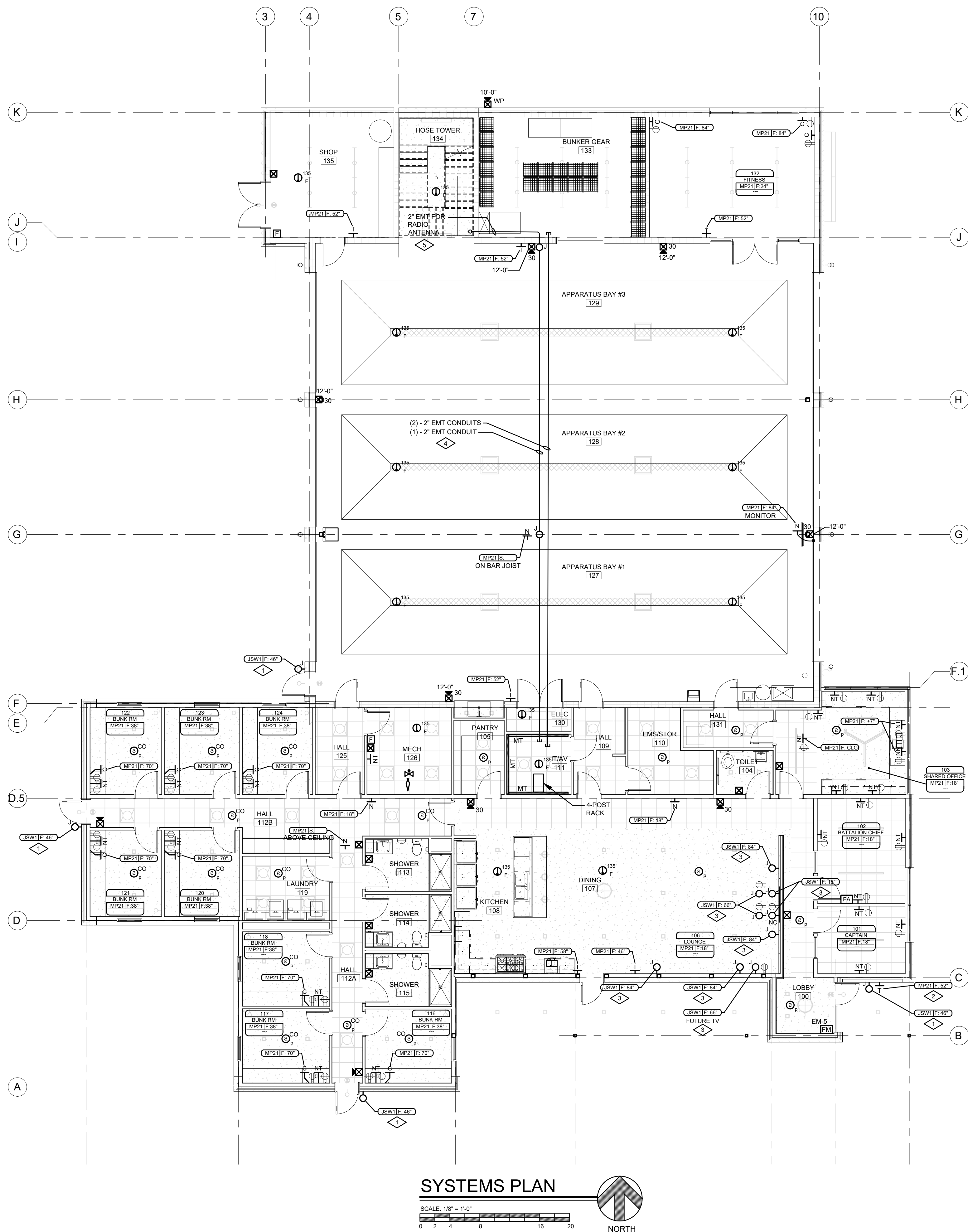
BID PACKAGE #2

PROJECT STATUS: 100% CD

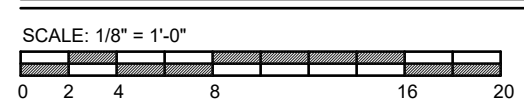
DRAWN BY: KLT CHECKED BY: WLM

DATE: 04/06/2020 SHEET NO. OF:

PROJECT NO: 1907/19015 **E301** OF 11



SYSTEMS PLAN

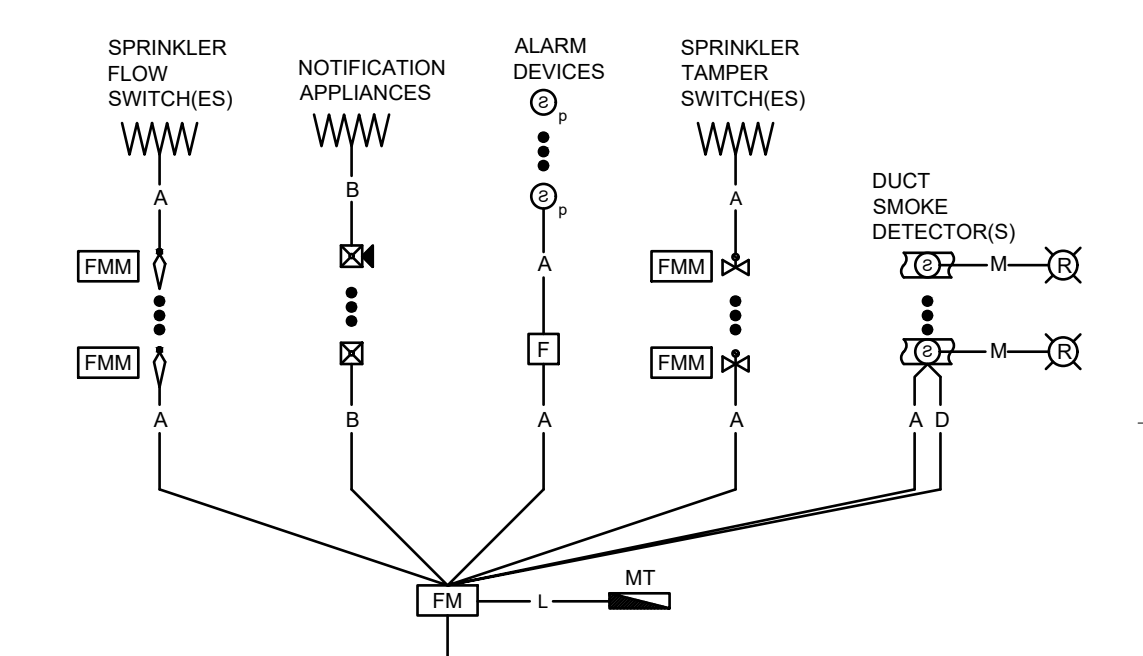


**FIRE ALARM SYSTEM CABLES**

LETTER	DESCRIPTION
A	SIGNALING LINE CIRCUIT #18/2 SOLID SHIELDED PLENUM RATED FIRE ALARM - BELDEN #5220FN
B	NOTIFICATION APPLIANCE CIRCUIT - #14/2 SOLID PLENUM RATED FIRE ALARM - BELDEN #5120UN
C	120 VOLT POWER CIRCUIT - 1/2 EMT 2 #12 & #12 GROUND COPPER SOUTH/WIRE BUILDING WIRE
D	24 VOLT POWER CABLE - #16/2 SOLID PLENUM RATED FIRE ALARM - BELDEN #5220UN
H	ANNUNCIATOR CABLE - 2 #16/2 SOLID SHIELDED AND 1 #16/2 SOLID UNSHIELDED PLENUM RATED FIRE ALARM - TWO BELDEN #5220FN & ONE BELDEN #5220UN
L	DIALER CIRCUIT - 4 PAIR CATEGORY 5 CABLE - BELDEN #1624P
M	REMOTE TEST CIRCUIT - 18/4 SOLID PLENUM RATED FIRE ALARM - BELDEN #5220UN

**FIRE ALARM SYSTEM SEQUENCE OF OPERATION**

SYSTEM ACTIONS	SMOKE DETECTOR	HEAT DETECTOR	DUCT SMOKE DETECTOR	PULL STATION	SPRINKLER FLOW SWITCH	SPRINKLER TAMPER SWITCH
ACTIVATES SYSTEM NOTIFICATION APPLIANCES	●	●	●	●	●	●
ACTIVATES SYSTEM SUPERVISORY ALARM	●	●	●	●	●	●
DISPLAYS AT MAIN FIRE ALARM PANEL	●	●	●	●	●	●
RELEASES MAGNETICALLY HELD DOORS	●	●	●	●	●	●
SHUTS DOWN ASSOCIATED AIR HANDLING UNIT	●	●	●	●	●	●
CLOSES FIRE/SMOKE DAMPER	●	●	●	●	●	●
ACTIVATES DIALER GENERAL ALARM SIGNAL	●	●	●	●	●	●
ACTIVATES DIALER FLOW ALARM SIGNAL	●	●	●	●	●	●
ACTIVATES DIALER SUPERVISORY SIGNAL	●	●	●	●	●	●
ACTIVATES EXTERIOR HORN/STROBE ABOVE FIRE DEPARTMENT CONNECTION	●	●	●	●	●	●



FIRE ALARM SYSTEM RISER

NO SCALE

**GENERAL SYSTEMS NOTES:**

LOW VOLTAGE SIGNAL WIRING MAY BE RUN OPEN ABOVE ACCESSIBLE SUSPENDED CEILINGS. ALL WIRING RUN OPEN IN ACCESSIBLE CEILING SPACES USED FOR AIR RETURN SHALL BE PLENUM RATED.

WIRING INSTALLED IN WALLS AND ABOVE INACCESSIBLE CEILINGS SHALL BE RUN IN CONDUIT.

REVIEW CASEWORK ELEVATIONS ON ARCHITECTURAL DRAWINGS AND CASEWORK SHOP DRAWINGS PRIOR TO INSTALLATION OF WIRING DEVICES. CALL ANY DISCREPANCIES TO THE ATTENTION OF THE ENGINEER. WHERE DEVICES WOULD FALL BEHIND CASEWORK, RELOCATE DEVICES 2' CLEAR OF BACKSPLASH, OR COUNTER.

DEVICE MOUNTING HEIGHTS SHOWN ON THE PLANS TAKE PRECEDENCE OVER DEFAULT MOUNTING HEIGHTS SHOWN IN THE LEGEND.

PROVIDE FAR SIDE BOX SUPPORTS ON ALL BOXES MOUNTED TO STEEL STUDS. THE DEPTH OF THE MUD RINGS SHALL BE NO LESS THAN THE THICKNESS OF THE SHEETROCK.

ALL WIRING DEVICES ARE TO BE INSTALLED FLUSH UNLESS OTHERWISE INDICATED.

THE MOUNTING HEIGHT OF SIGNAL WIRING DEVICES IS DEFINED AS THE DISTANCE FROM THE FINISHED FLOOR TO THE CENTER OF THE DEVICE BOX.

THE FOLLOWING MAIN KEY DEFINES SIGNAL WIRING DEVICES IN THE ROOM LISTED. ALL DEVICES IN THIS SPACE ARE TO COMPLY WITH THIS MAIN KEY UNLESS OVERRIDDEN BY A DEVICE TAG.

ROOM NAME: OFFICE  
SCHEDULED SIGNAL DEVICE: WT01 F.18" 1000  
SIGNAL DEVICE MOUNTING SURFACE OF FLUSH HEIGHT: ROOM NUMBER

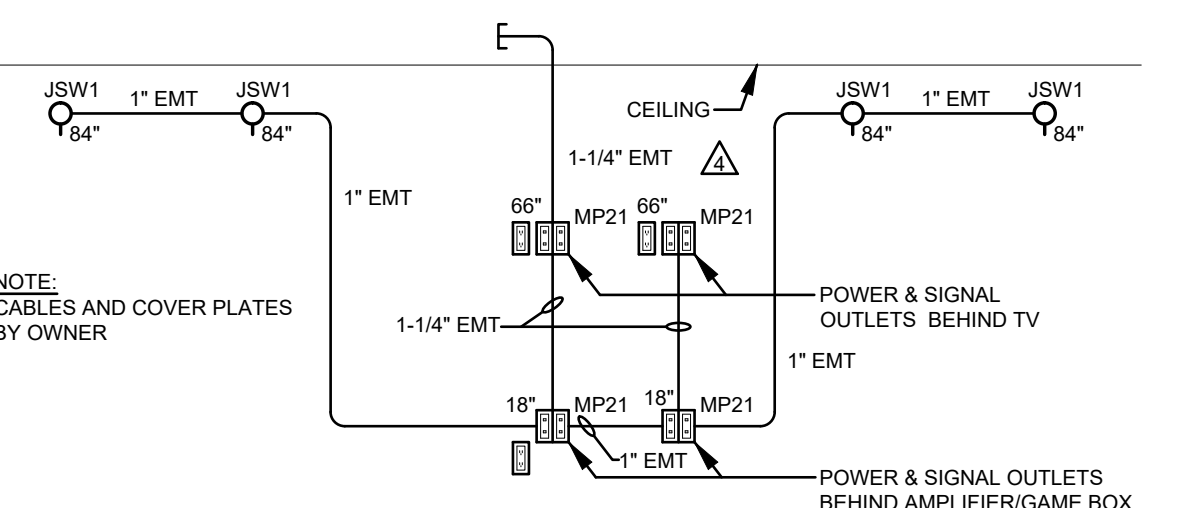
THE FOLLOWING DEVICE TAG DEFINE SIGNAL WIRING DEVICES WHICH ARE DIFFERENT FROM THOSE DEFINED IN THE MAIN KEY. THESE DEVICE TAGS OVERRIDE THE MAIN KEY ONLY FOR THE DEVICE OR DEVICES INDICATED.

SCHEDULED SIGNAL DEVICE: WT01 F.18" 1000  
SIGNAL DEVICE MOUNTING SURFACE OF FLUSH HEIGHT

SEE SPECIFICATIONS FOR ADDITIONAL CONSTRAINTS ON THE INSTALLATION OF SIGNAL WIRING DEVICES AND BOXES.

NOTES REFERENCED ON THE PLANS

- 1 ROUGH-IN FOR DOOR ACCESS CONTROL CARD READER. PROVIDE 1/2" EMT RACEWAY FROM BOX TO ACCESSIBLE LOCATION ABOVE CEILING. PROVIDE RACEWAY FROM ELECTRIC STRIKE IN DOOR FRAME TO ACCESSIBLE LOCATION ABOVE CEILING. WIRE SYSTEM PER DOOR ACCESS CONTROL SYSTEM SUBMITTAL WIRING DIAGRAM.
- 2 PROVIDE FLUSH SIGNAL BOX AND 1" EMT TO SPACE ABOVE THE LOBBY CEILING FOR OWNER'S TELEPHONE INTERCOM.
- 3 PROVIDE JUNCTION BOX AND EMPTY 1" CONDUIT WITH PULL STRINGS BETWEEN ALL JUNCTION BOXES FOR FUTURE SURROUND SOUND SYSTEM.
- 4 PROVIDE TWO 2" EMT CONDUITS FROM THE IT ROOM TO TWO 6" X 12" X 12" PULL BOXES ON THE UNDER SIDE OF THE ROOF TRUSSES FOR NETWORK AND TELEPHONE, AND THE RADIO ANTENNA. PROVIDE A THIRD EMT CONDUIT FROM THE IT ROOM TO BUNKER GEAR #133, BYPASSING THE PULLBOXES FOR COAXIAL CABLES. PROVIDE ADDITIONAL PULLING POINTS AS NECESSARY TO LIMIT BENDS TO THREE 90'S.
- 5 PROVIDE A 2" EMT CONDUIT FROM THE PULL BOX TO THE HOSE TOWER ROOF. COORDINATE RISER AND ROOF PENETRATION LOCATIONS WITH OWNER. PROVIDE ADDITIONAL PULLING POINTS AS NECESSARY TO LIMIT BENDS TO THREE 90'S.



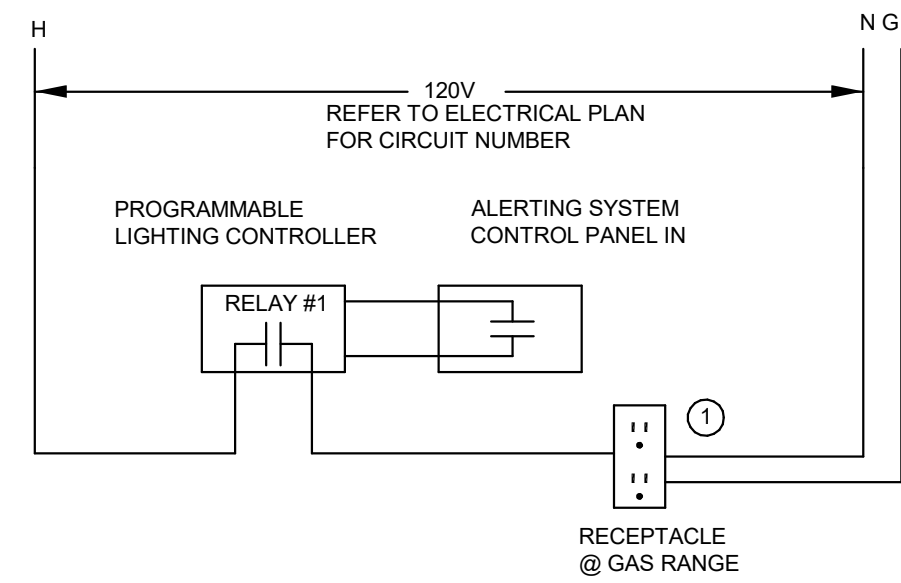
TV/SURROUND SOUND-LOUNGE 106

NO SCALE

ADDRESSABLE FIRE ALARM SYSTEM

DESIGNATION	DEVICE DESCRIPTION	MANUFACTURER CATALOG NUMBER ALTERNATE MANUFACTURERS	BOX DESCRIPTION	COVER DESCRIPTION
FA	ADDRESSABLE FIRE ALARM: ANNUNCIATOR, RATED 24 VDC. 80 CHARACTER BACKLIT LIQUID CRYSTAL DISPLAY WITH CONTROL SWITCHES FOR ACKNOWLEDGE, SILENCE AND RESET, TIME & DATE DISPLAY, ENABLE KEY SWITCH & LOCAL ALARM.	NOTIFIER LCD-80	9.9"H X 4.6"W X 2.5"D NOTIFIER #ABF-1B, STEEL, WITH KNOCKOUTS, WALL FLUSH MOUNTING.	NONE REQUIRED
FM	ADDRESSABLE FIRE ALARM: DIGITAL TRANSMITTER, RATED 24 VDC. 14 TRANSMISSIONS PER HOUR. DUAL PHONE LINES, KEYBOARD, 4 CHARACTER LED DISPLAY. TRANSMITS ALARM & TROUBLE SOFTWARE ZONES, SYSTEM TROUBLE AND SUPERVISORY ALARMS.	NOTIFIER 411UDACT	9.9"H X 4.6"W X 2.5"D NOTIFIER #ABF-8R, STEEL, WITH KNOCKOUTS, WALL FLUSH MOUNTING.	NONE REQUIRED
CO	ADDRESSABLE FIRE ALARM: SILVER COLOR, DUCT SMOKE DETECTOR, BUILT-IN DDPDT RELAY, SAMPLE TUBE, PHOTOELECTRIC TYPE, RATED 24 VDC. PROVIDE SEPARATE REMOTE ALARM INDICATOR WITH TEST SWITCH.	NOTIFIER FSC-751RP & RTS-451	NONE REQUIRED	NONE REQUIRED
CA	ADDRESSABLE FIRE ALARM: HORN/STROBE, RATED 24 VDC. CANDELA OUTPUT FIELD SELECTABLE AMONG 15, 15/75, 30, 75, AND 110. FIELD SELECTABLE HORN TONES, SYNCHRONIZABLE, AND WHITE COLOR.	NOTIFIER P1224MC	4" SQ X 2 1/8" DEEP, STEEL, WITH KNOCKOUTS, WALL FLUSH MOUNTING.	NONE REQUIRED
F	ADDRESSABLE FIRE ALARM: PULL STATION, RATED 24 VDC. DUAL ACTION WITH BI-COLOR ALARM STATUS LED, KEY RESET, AND BRAILLE TEXT ON HANDLE.	NOTIFIER NBG-12LX	4" SQ X 2 1/8" DEEP, STEEL, WITH KNOCKOUTS, WALL FLUSH MOUNTING.	NONE REQUIRED
FMM	ADDRESSABLE FIRE ALARM: MONITOR MODULE, RATED 24 VDC. MONITORS SPRINKLER FLOW AND TAMPER SWITCHES, GENERATING AN ALARM AT THE SET ADDRESS ON DEVICE CONTACT CLOSURE. 159 ADDRESSES AVAILABLE.	NOTIFIER FMM-101	4" SQ X 2 1/8" DEEP, STEEL, WITH KNOCKOUTS, WALL FLUSH MOUNTING.	NONE REQUIRED
FMI	ADDRESSABLE FIRE ALARM: MAIN PANEL BATTERY BACKED, RATED 3A @ 120V. CAPABLE OF 301 TOTAL I/O POINTS; 99 INTELLIGENT DETECTORS; 99 ADDRESSABLE MODULES, 99 PROGRAMMABLE SOFTWARE ZONES AND 4 NAC CIRCUITS.	NOTIFIER AFP-200	16"H X 14.5"W X 5.5"D, STEEL, WITH KNOCKOUTS, WALL SURFACE MOUNTING.	NONE REQUIRED
CA	ADDRESSABLE FIRE ALARM: WHITE COLOR, STROBE, RATED 24 VDC. CANDELA OUTPUT FIELD SELECTABLE AMONG 15, 15/75, 30, 75, AND 110. FIELD SELECTABLE.	NOTIFIER S1224MC	4" SQ X 2 1/8" DEEP, STEEL, WITH KNOCKOUTS, WALL FLUSH MOUNTING.	NONE REQUIRED
CO	ADDRESSABLE FIRE ALARM: SMOKE DETECTOR, RATED 24 VDC. LASER DEVICE, WITH 2 LED ALARM STATE INDICATORS, BUILT-IN MAGNETIC TEST SWITCH, HIGH SENSATIVITY.	NOTIFIER LPX751L + P710P BASE	4" SQ X 2 1/8" DEEP, STEEL, WITH KNOCKOUTS, WALL FLUSH MOUNTING.	NONE REQUIRED
CO 135 F	ADDRESSABLE FIRE ALARM: WHITE COLOR, HEAT DETECTOR, RATED 24 VDC. 135 DEGREE F FIXED TEMPERATURE/RATE OF RISE.	NOTIFIER FST-851R B710LPBP BASE	4" SQ X 2 1/8" DEEP, STEEL, WITH KNOCKOUTS, WALL FLUSH MOUNTING.	NONE REQUIRED
CO 200 F	ADDRESSABLE FIRE ALARM: WHITE COLOR, HEAT DETECTOR, RATED 24 VDC. 200 DEGREE F FIXED TEMPERATURE/RATE OF RISE.	NOTIFIER FST-851H B710LPBP BASE	4" SQ X 2 1/8" DEEP, STEEL, WITH KNOCKOUTS, WALL FLUSH MOUNTING.	NONE REQUIRED

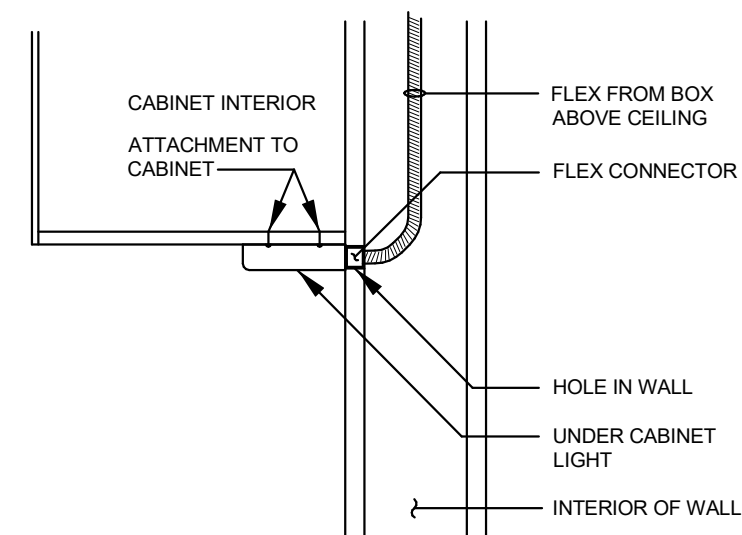
NOTES: DEVICES BY MANUFACTURERS WHICH ARE NOT LISTED IN THE SCHEDULE REQUIRE 5-DAY WRITTEN PRIOR APPROVAL.



### GAS RANGE CONTROL WIRING DIAGRAM

NO SCALE

- 1 CONTROL CIRCUIT FOR GAS RANGE TO BE DE-ENERGIZED BY ALERTING SYSTEM WHEN FIREMEN ARE ON A CALL TO PREVENT RANGE AUTO PILOT FROM CONTINUALLY LIGHTING WHEN GAS VALVE IS CLOSED.

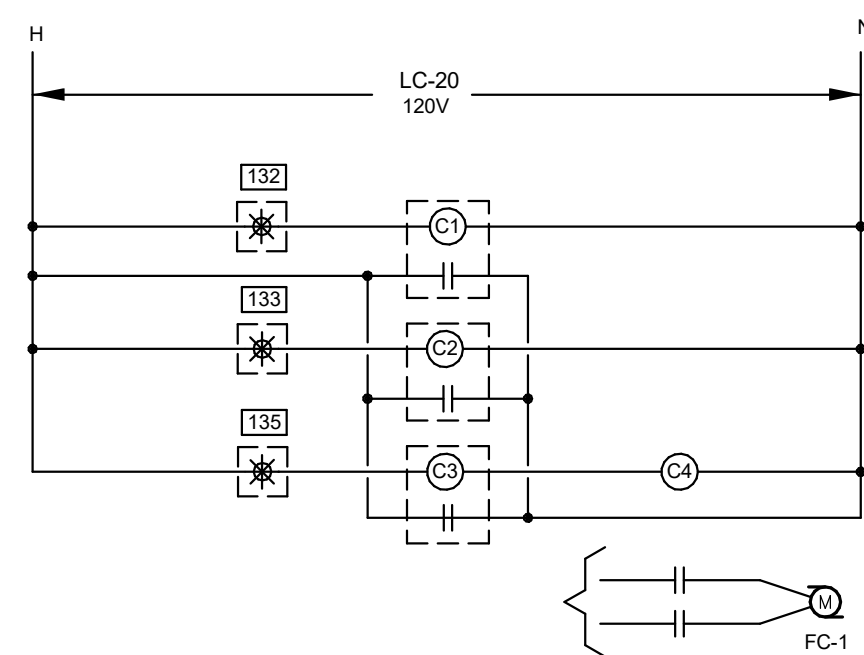


### INSTALLATION DETAIL - TASK LIGHT

NO SCALE

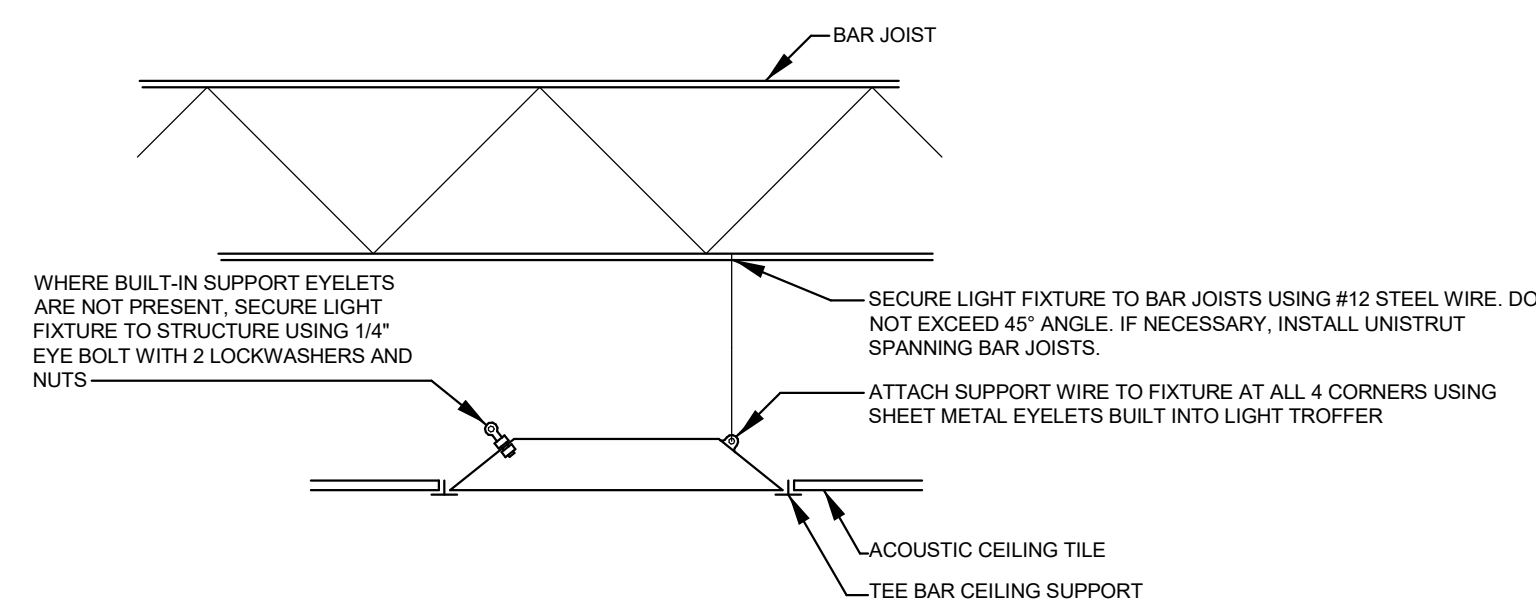
CONCEAL WIRING OF TASK LIGHTS AS FOLLOWS:

- CUT A HOLE IN THE WALL AT THE HEIGHT OF THE UNDER CABINET LIGHT LARGE ENOUGH TO ACCOMMODATE THE FLEX CONNECTOR.
- PULL 6" OF FLEX THROUGH THE WALL AND TERMINATE IT ON THE UNDER CABINET LIGHT.
- PUSH THE ASSEMBLY INTO THE WALL SO THAT THE FIXTURE IS AGAINST THE WALL AND THE FLEX AND CONNECTOR ARE CONCEALED INSIDE THE WALL. CONNECT THE UNDER CABINET LIGHT TO UNDERSIDE OF THE CABINET.



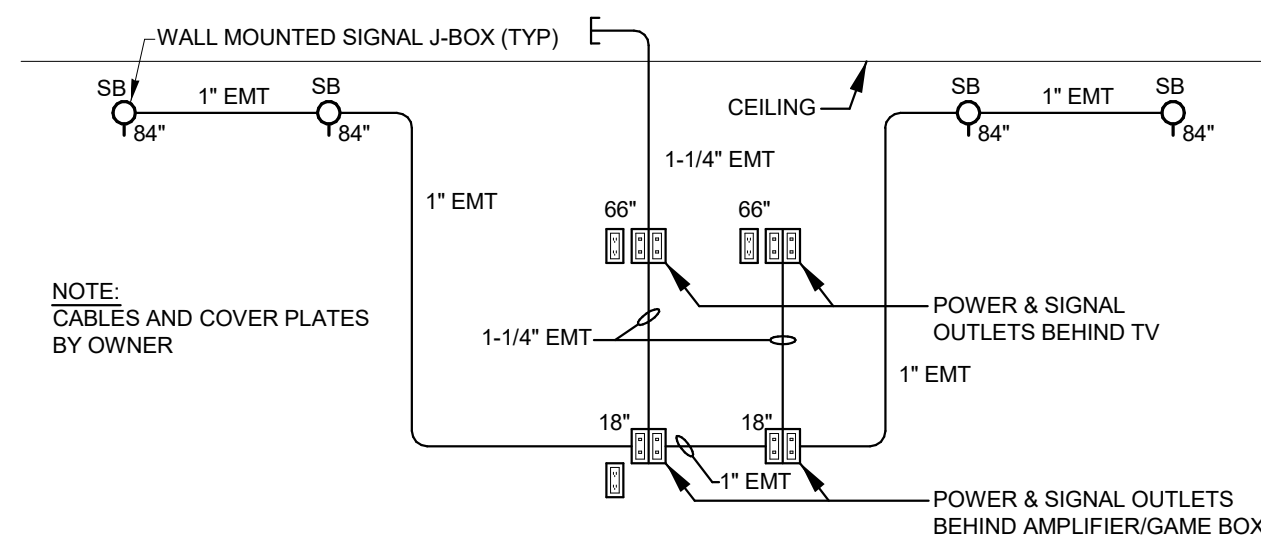
### FAN COIL WIRING DIAGRAM (FC-1)

NO SCALE



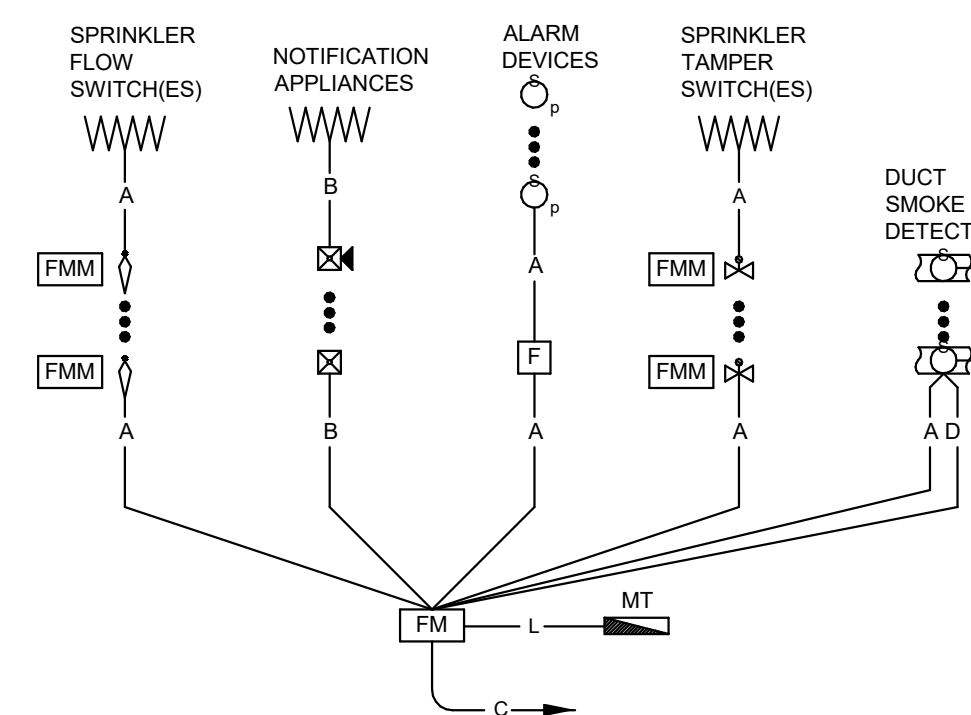
### SEISMIC SUPPORT OF RECESSED LIGHTS

NO SCALE



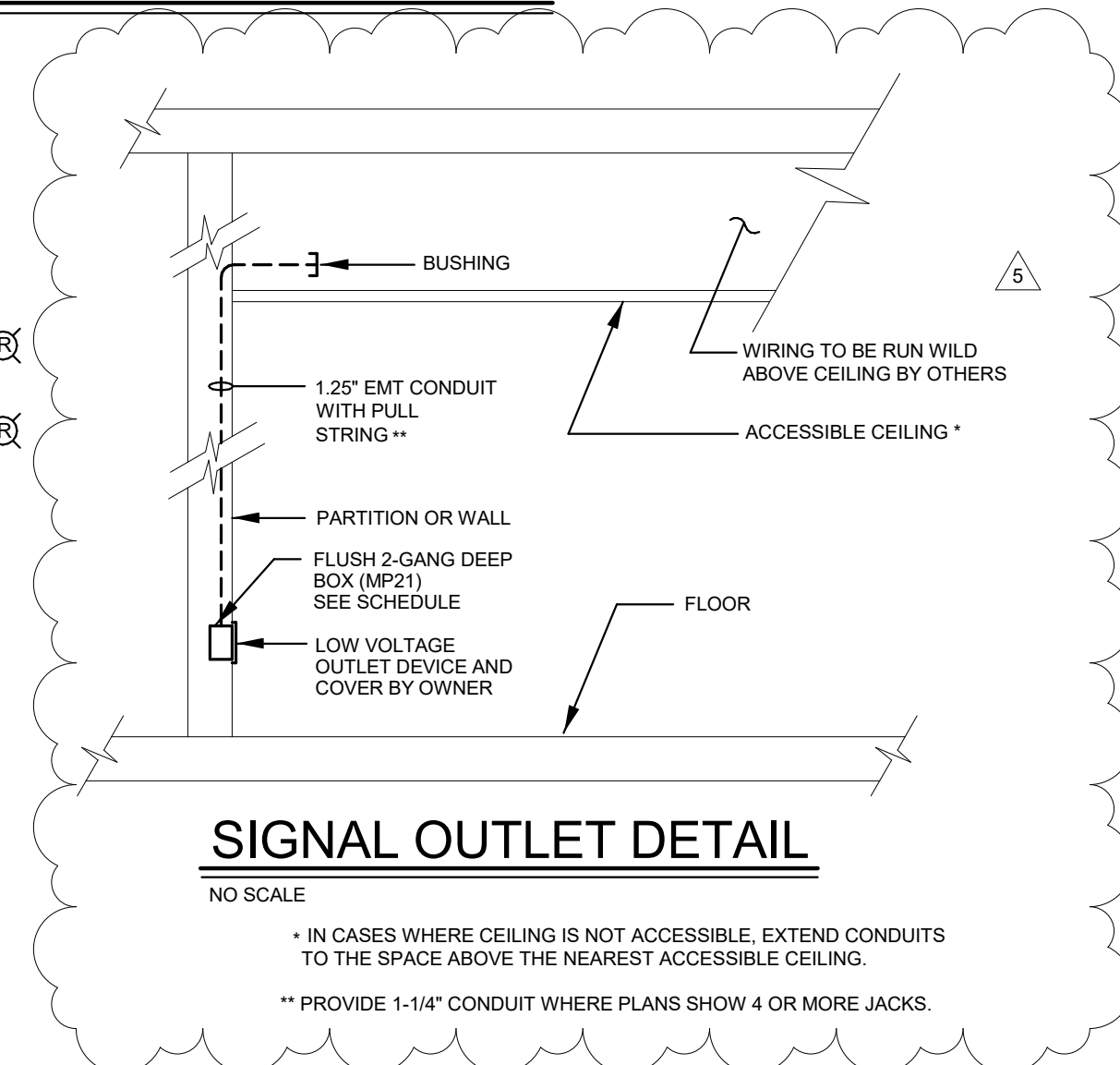
### LOUNGE - TV/SURROUND SOUND

NO SCALE



### FIRE ALARM SYSTEM RISER

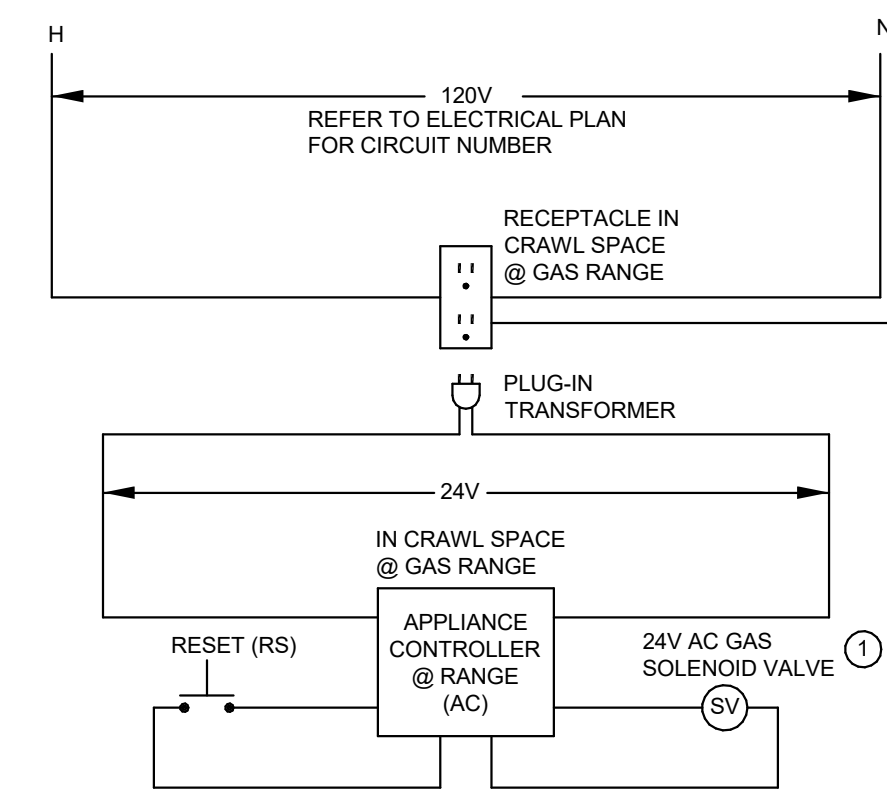
NO SCALE



### SIGNAL OUTLET DETAIL

NO SCALE

- IN CASES WHERE CEILING IS NOT ACCESSIBLE, EXTEND CONDUITS TO THE SPACE ABOVE THE NEAREST ACCESSIBLE CEILING.
- PROVIDE 1-1/4\"/>



### GAS SOLENOID VALVE WIRING DIAGRAM

NO SCALE

- 1 GAS SOLENOID VALVE TO BE DE-ENERGIZED (CLOSED) BY ALERTING SYSTEM WHEN FIREMEN ARE ON A CALL.

#### NOTES REFERENCED ON THE PLANS

- ROUGH-IN FOR DOOR ACCESS CONTROL CARD READER. PROVIDE 1/2\"/>

#### FIRE ALARM SYSTEM CABLES

LETTER	DESCRIPTION
A	SIGNALING LINE CIRCUIT #18/2 SOLID SHIELDED PLENUM RATED FIRE ALARM BELDEN #5220FN
B	NOTIFICATION APPLIANCE CIRCUIT - #14/2 SOLID PLENUM RATED FIRE ALARM BELDEN #5120UN
C	120 VOLT POWER CIRCUIT - 1/2 EMT 2 #12 & #12 GROUND COPPER SOUTH/WIRE BUILDING WIRE
D	24 VOLT POWER CABLE - #16/2 SOLID PLENUM RATED FIRE ALARM BELDEN #5220UN
H	ANNUNCIATOR CABLE - 2 #16/2 SOLID SHIELDED AND 1 #16/2 SOLID UNSHIELDED PLENUM RATED FIRE ALARM
L	DIALER CIRCUIT - 4 PAIR CATEGORY 5 CABLE BELDEN #1624P
M	REMOTE TEST CIRCUIT - 18/4 SOLID PLENUM RATED FIRE ALARM BELDEN #5330UN

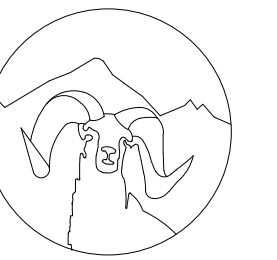
#### FIRE ALARM SYSTEM SEQUENCE OF OPERATION

SYSTEM ACTIONS	SMOKE DETECTOR	HEAT DETECTOR	DUCT SMOKE DETECTOR	PULL STATION	SPRINKLER FLOW SWITCH	TAMPER SWITCH
ACTIVATES SYSTEM NOTIFICATION APPLIANCES	x	x				
ACTIVATES SYSTEM SUPERVISORY ALARM DISPLAYS AT MAIN FIRE ALARM PANEL	x	x	x	x	x	
RELEASES MAGNETICALLY HELD DOORS	x	x	x			
SHUTS DOWN ASSOCIATED AIR HANDLING UNIT			x			
CLOSES FIRE/SMOKE DAMPER	x		x	x		
ACTIVATES DIALER GENERAL ALARM SIGNAL	x	x	x			
ACTIVATES DIALER FLOW ALARM SIGNAL					x	
ACTIVATES DIALER SUPERVISORY SIGNAL						x
ACTIVATES EXTERIOR HORN/STROBE ABOVE FIRE DEPARTMENT CONNECTION	x	x			x	

#### ADDRESSABLE FIRE ALARM SYSTEM

DESIGNATION	DEVICE DESCRIPTION	MANUFACTURER CATALOG NUMBER ALTERNATE MANUFACTURERS	BOX DESCRIPTION	COVER DESCRIPTION
FA	ADDRESSABLE FIRE ALARM: ANNUNCIATOR, RATED 24 VDC, 80 CHARACTER BACKLIT LIQUID CRYSTAL DISPLAY WITH CONTROL SWITCHES FOR ACKNOWLEDGE, SILENCE AND RESET, TIME & DATE DISPLAY, ENABLE KEY SWITCH & LOCAL ALARM.	NOTIFIER LCD-80	9.9\"/>	NONE REQUIRED
FM	ADDRESSABLE FIRE ALARM: DIGITAL TRANSMITTER, RATED 24 VDC, 14 TRANSMISSIONS PER HOUR, DUAL PHONE LINES, KEYBOARD, 4 CHARACTER LED DISPLAY, TRANSMITS ALARM & TROUBLE SOFTWARE ZONES, SYSTEM TROUBLE AND SUPERVISORY ALARMS.	NOTIFIER 411UDACT	9.9\"/>	NONE REQUIRED
CO	ADDRESSABLE FIRE ALARM: SILVER COLOR, DUCT SMOKE DETECTOR, BUILT-IN DPDT RELAY, SAMPLE TUBE, PHOTOELECTRIC TYPE, RATED 24 VDC, PROVIDE SEPARATE REMOTE ALARM INDICATOR WITH TEST SWITCH.	NOTIFIER FSC-751RP & RTS-451	NONE REQUIRED	NONE REQUIRED
HN	ADDRESSABLE FIRE ALARM: HORN/STROBE, RATED 24 VDC, CANDELA OUTPUT FIELD SELECTABLE AMONG 15, 15/75, 30, 75, AND 110, FIELD SELECTABLE HORN TONES, SYNCHRONIZABLE, AND WHITE COLOR.	NOTIFIER P1224MC	4\"/>	NONE REQUIRED
FS	ADDRESSABLE FIRE ALARM: PULL STATION, RATED 24 VDC, DUAL ACTION WITH BI-COLOR ALARM STATUS LED, KEY RESET, AND BRAILLE TEXT ON HANDLE.	NOTIFIER NBG-12LX	4\"/>	NONE REQUIRED
FMM	ADDRESSABLE FIRE ALARM: MONITOR MODULE, RATED 24 VDC, MONITORS SPRINKLER FLOW AND TAMPER SWITCHES, GENERATING AN ALARM AT THE SET ADDRESS ON DEVICE CONTACT CLOSURE. 159 ADDRESSES AVAILABLE.	NOTIFIER FMM-101	4\"/>	NONE REQUIRED
FM	ADDRESSABLE FIRE ALARM: MAIN PANEL, BATTERY BACKED, RATED 24V @ 120V, CAPABLE OF 301 TOTAL I/O POINTS, 99 INTELLIGENT DETECTORS, 99 ADDRESSABLE MODULES, 99 PROGRAMMABLE SOFTWARE ZONES AND 4 NAC CIRCUITS.	NOTIFIER AFP-200	16\"/>	NONE REQUIRED
W	ADDRESSABLE FIRE ALARM: WHITE COLOR, STROBE, RATED 24 VDC, CANDELA OUTPUT FIELD SELECTABLE AMONG 15, 15/75, 30, 75, AND 110, FIELD SELECTABLE.	S1224MC	4\"/>	NONE REQUIRED
LD	ADDRESSABLE FIRE ALARM: SMOKE DETECTOR, RATED 24 VDC, LASER DEVICE, WITH 2 LED ALARM STATE INDICATORS, BUILT-IN MAGNETIC TEST SWITCH, HIGH SENSATIVITY.	NOTIFIER LPX751L + P710P BASE	4\"/>	NONE REQUIRED
DT	ADDRESSABLE FIRE ALARM: WHITE COLOR, HEAT DETECTOR, NOTIFIER RATED 24 VDC, 135 DEGREE F FIXED TEMPERATURE/RATE OF RISE.	FST-851R B710LPBP BASE	4\"/>	NONE REQUIRED
DT	OF RISE.	FST-851H B710LPBP BASE	4\"/>	NONE REQUIRED

NOTES: DEVICES BY MANUFACTURERS WHICH ARE NOT LISTED IN THE SCHEDULE REQUIRE 5-DAY WRITTEN PRIOR APPROVAL.



**Bighorn Consulting Engineers, Inc.**  
Mechanical & Electrical Engineers

386 Indian Road  
Grand Junction, CO 81501  
Phone (970) 241-8709

**Grand Junction Fire Department**  
Fire Station #8

441 31 Rd. GRAND JUNCTION,  
COLORADO 81505

#### SYSTEMS DETAILS

#### FOR CONSTRUCTION

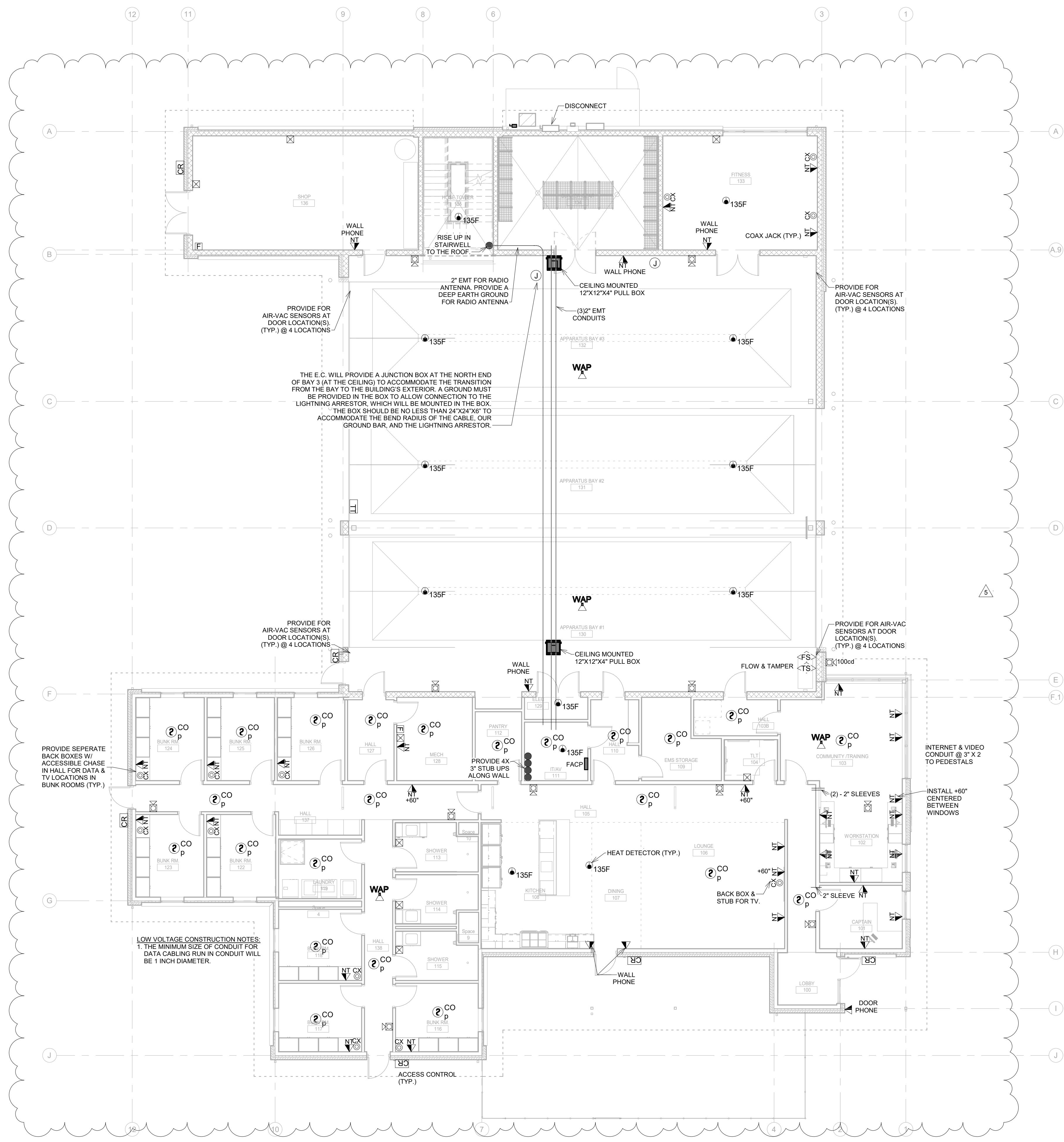
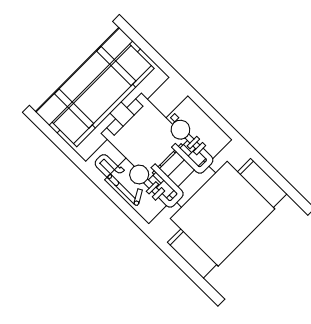
REV.	DESC.	DATE:
5	PRO2	4/25/22

DATE: 01/10/2022

PROJECT #: 21-230

SHEET #:

**E4-3**



PROVIDE FOR AIR-VAC SENSORS AT DOOR LOCATIONS (TYP.) @ 4 LOCATIONS

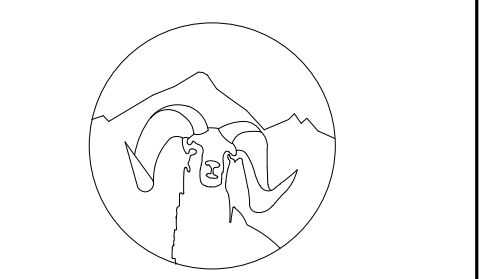
THE E.C. WILL PROVIDE A JUNCTION BOX AT THE NORTH END OF BAY 3 (AT THE CEILING) TO ACCOMMODATE THE TRANSITION FROM THE BAY TO THE BUILDING'S EXTERIOR. A GROUND MUST BE PROVIDED IN THE BOX TO ALLOW CONNECTION TO THE LIGHTNING ARRESTOR, WHICH WILL BE MOUNTED IN THE BOX. THE BOX SHOULD BE NO LESS THAN 24"X24"X6" TO ACCOMMODATE THE BEND RADIUS OF THE CABLE, OUR GROUND BAR, AND THE LIGHTNING ARRESTOR.

PROVIDE FOR AIR-VAC SENSORS AT DOOR LOCATIONS (TYP.) @ 4 LOCATIONS

PROVIDE SEPARATE BACK BOXES W/ ACCESSIBLE CHASE IN HALL FOR DATA & TV LOCATIONS IN BUNK ROOMS (TYP.)

LOW VOLTAGE CONSTRUCTION NOTES:  
1. THE MINIMUM SIZE OF CONDUIT FOR DATA CABLING RUN IN CONDUIT WILL BE 1 INCH DIAMETER.

**SYSTEMS - 1st FLOOR**  
1/8" = 1'-0"



**Bighorn Consulting Engineers, Inc.**  
Mechanical & Electrical Engineers

386 Indian Road  
Grand Junction, CO 81501  
Phone (970) 241-8709

**Grand Junction Fire Department  
Fire Station #3**

441 31 Rd. GRAND JUNCTION,  
COLORADO 81505

SYSTEMS - FLOOR PLAN

FOR CONSTRUCTION

REV.	DESC.	DATE:
5	PRO2	4/25/22

DATE: 01/10/2022

PROJECT #: 21-230

SHEET #:

**E4-1**

# FIRE ALARM LEGEND

SYMBOL	QUANTITY	PART NUMBER	DESCRIPTION	BACKBOX REQUIREMENTS
[FACP]	1	NFW-100X	FIRE ALARM CONTROL PANEL FIREWARDEN	CUSTOM, FROM CSI
	2	BATT-12180	18 AMP/HOUR BATTERY	
[D]	18	FSP-951 W/B300-6 BASE	PHOTOELECTRIC SMOKE DETECTOR	4" SQUARE DEEP
[M]	7	NBG-12LX	MANUAL PULL STATION	4" SQUARE DEEP W/SINGLE GANG MUD RING
[MM]	5	FMM-101	MINI MONITOR MODULE	4" SQUARE DEEP
[CD]	5	CO1224T	CARBON MONOXIDE DETECTOR	4" SQUARE DEEP
[H]	6	PC2WL	HORN/STROBE, MULTI-CANDELA, WHITE, CEILING MOUNT	4" SQUARE DEEP
[S]	10	SCWL	STROBE, MULTI-CANDELA, WHITE, CEILING MOUNT	4" SQUARE DEEP
EOLR			END OF LINE RESISTOR	

ALL EQUIPMENT ABOVE IS NOTIFIER BRAND UNLESS OTHERWISE NOTED. REFER TO MANUFACTURER DATA SHEETS FOR ADDITIONAL INFORMATION.  
 END OF LINE RESISTOR VALUES  
 ADDRESSABLE MODULE = 47K  
 FIREWARDEN FIRE ALARM CONTROL PANEL = 4.7K

CITY OF GRAND JUNCTION DAY CARE  
 NFW-100 FIRE WARDEN FACP  
 BATTERY CALCULATIONS

PART #	DESCRIPTION	QTY	STANDBY (AMPS)	ALARM (AMPS)	TOTAL STANDBY (AMPS)	TOTAL ALARM (AMPS)
NFW-100X	MAIN CIRCUIT BOARD	1	0.25000	0.32500	0.25000	0.32500
FSP-951	SMOKE DETECTOR (PHOTO)	18	0.00030	0.00450	0.00540	0.08100
NBG-12LX	PULL STATION	7	0.00038	0.00500	0.00283	0.03500
FMM-101	MONITOR MODULE	5	0.00075	0.00640	0.00375	0.03200
T224CO	CO DETECTOR	5	0.02000	0.04000	0.10000	0.20000
ALARM DRAW	MAX ALLOWED BY PANEL	1	0.20000	0.40000	0.20000	0.40000
NAC #1	NAC #1	1	0.00000	1.25400	0.00000	1.25400
NAC #2	NAC #2	1	0.00000	0.00000	0.00000	0.00000
NAC #3	NAC #3	1	0.00000	0.00000	0.00000	0.00000
NAC #4	NAC #4	1	0.00000	0.00000	0.00000	0.00000
	TOTAL AMPS		0.567	2.327		
	X HOURS/MIN			13.605		0.194
	TOTAL AH			13.80		
	+20% DERATING FACTOR			16.56		
	MINIMUM BATTERY SIZE			18AH		

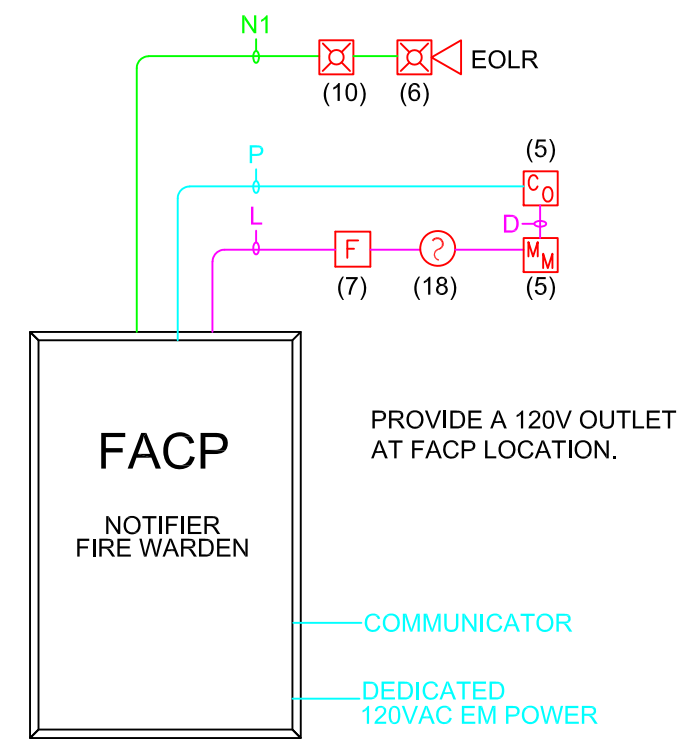
VOLTAGE DROP CALCULATIONS  
 PROJECT: GRAND JUNCTION DAY CARE

METHOD & FORMULA  
 VOLTAGE DROP = [(LENGTH) (AMPS X OHMS/FOOT)]  
 STARTING VOLTAGE = 20.4  
 OPERATING VOLTAGE RANGE = 16 - 33 VOLTS  
 MAXIMUM VOLTAGE DROP = 20.4 - 16 = 4.4 VOLTS

WIRE SIZE (GAUGE): 14  
 RESISTANCE (OHMS/1000'): 3.07  
 Resistance is multiplied by 2 to account for 2 strands of wire.

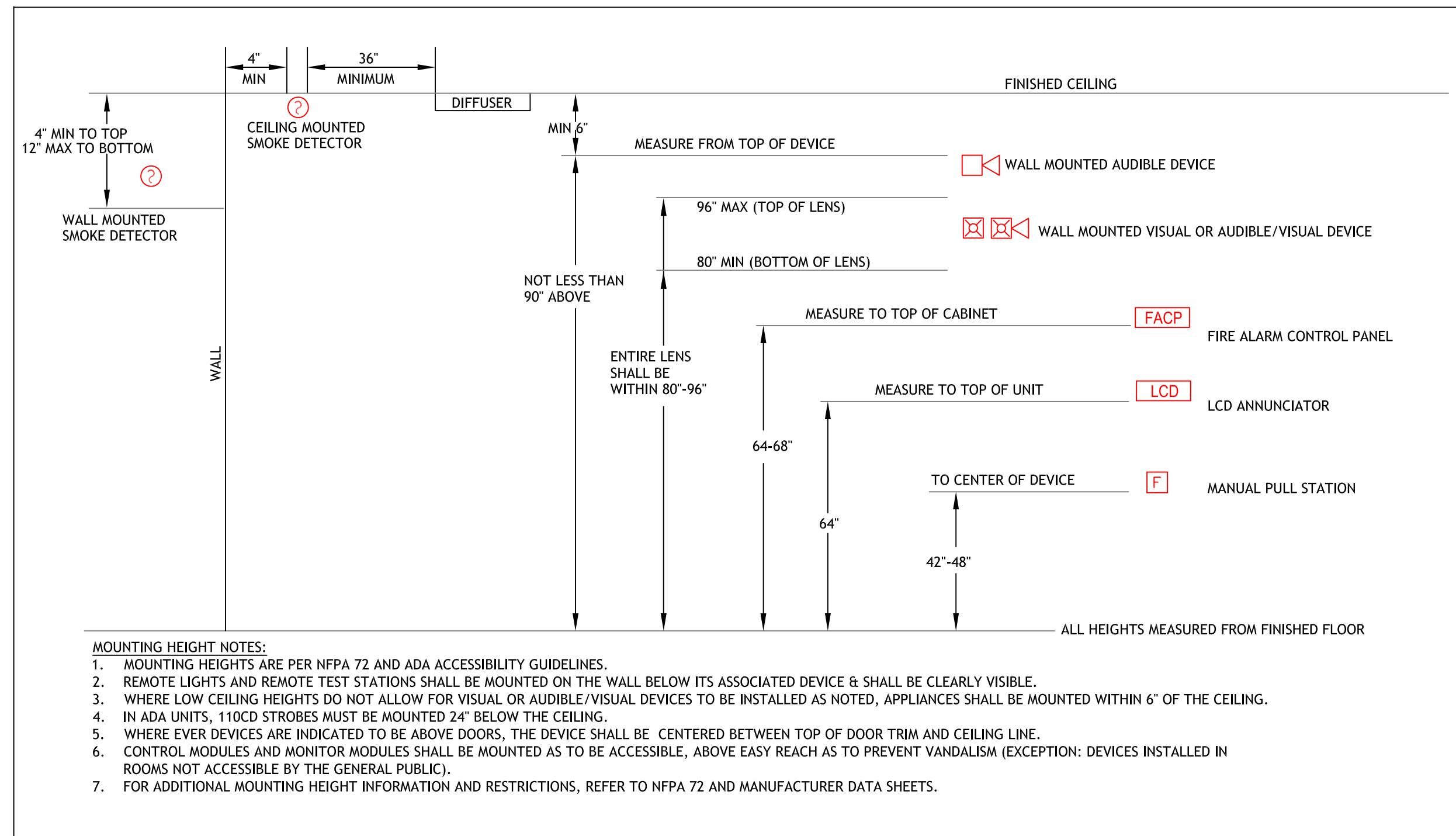
Circuit #	Description	Estimated Length	DEVICES					Total Load (amps)	Total Voltage Drop
			Ceiling Strobe	Ceiling Strobe	Ceiling A/V	Ceiling A/V	Ceiling A/V		
N1	HORN/STROBES	250	9	1	2	1	3	1.254	1.92
N2	SPARE							0	0.00
N3	SPARE							0	0.00
N4	SPARE							0	0.00
	Total							1.254	0.00

NOTE: MAX LOAD PER CIRCUIT IS 2.5 AMPS. TOTAL AVAILABLE FOR ALL CIRCUITS IS 6 AMPS.



## RISER DIAGRAM

## STANDARD MOUNTING HEIGHT DETAIL



## GENERAL NOTES

1. FIRE ALARM INSTALLATION SHALL MEET NFPA 70 (NATIONAL ELECTRIC CODE, NFPA 72 (NATIONAL FIRE ALARM & SIGNALING CODE) AND ALL LOCAL ADOPTED STANDARDS.
2. ALL PERSONNEL INSTALLING FIRE ALARM SHALL BE MINIMUM NICET II OR EQUIVALENT. MEET LOCAL JURISDICTIONAL REQUIREMENTS.
3. NO WIRE NUTS ARE ALLOWED. ANY TERMINATIONS NOT MADE ONTO A DEVICE SHALL BE MADE USING TERMINAL STRIPS.
4. ALL RACEWAYS SHALL BE 3/4" CONDUIT MINIMUM.
5. WHERE MULTIPLE CIRCUITS ENTER A BOX, ALL CIRCUITS SHALL PASS THROUGH WITH THE EXCEPTION OF DEVICE TERMINATIONS. WIRING SHALL BE PULLED FROM DEVICE TO DEVICE WITHOUT SPLICES.
6. ANY WIRING INSTALLED AT A HEIGHT BELOW 96" SHALL BE IN CONDUIT.
7. ANY PENETRATIONS THROUGH FIRE RATED CONSTRUCTION SHALL BE SLEEVED AND FIRE STOPPED.
8. 120V WIRING IS NOT PERMITTED IN THE SAME RACEWAY WITH LOW VOLTAGE WIRING.
9. POWER LIMITED AND NON-POWER LIMITED WIRING CANNOT SHARE THE SAME RACEWAY.
10. WIRE SHALL NOT BE PAINTED.
11. TAG/LABEL ALL WIRES IN ACCORDANCE WITH THE WIRE LEGEND AND LOCAL JURISDICTIONAL REQUIREMENTS.
12. ELECTRICAL CONTRACTOR SHALL TERMINATE AND LABEL CIRCUITS TO THE TERMINAL CABINET(S) AT THE FIRE ALARM CONTROL PANEL.
13. FIRE ALARM DEVICES MUST BE PLACED IN PROTECTED AREAS WITH AMBIENT TEMPERATURE RANGING FROM 32' TO 120' F. \*\*EXCEPTION: ADDRESSABLE HEAT DETECTOR.
14. SMOKE DETECTORS MUST BE INSTALLED AT LEAST 3' FROM AIR DIFFUSERS (LOCAL JURISDICTIONAL STANDARDS MAY BE MORE STRICT).
15. ELECTRICAL CONTRACTOR IS RESPONSIBLE FOR PROPER CONNECTIONS TO ALL THIRD PARTY EQUIPMENT INCLUDING ELEVATOR INTERFACE, SECURITY INTERFACE, HVAC CONTROLS AND SPRINKLER MONITORING POINTS.

## PROJECT INFORMATION/SCOPE OF WORK

**PROJECT NAME & LOCATION:**  
 CITY OF GRAND JUNCTION DAY CARE  
 GRAND JUNCTION, CO

**AUTHORITY HAVING JURISDICTION:**  
 GRAND JUNCTION FIRE DEPARTMENT

**APPLICABLE CODES & STANDARDS:**  
 2018 INTERNATIONAL FIRE CODE  
 2016 NATIONAL FIRE ALARM CODE (NFPA 72)

**PROJECT DETAILS:**  
 BUILDING USE: DAY CARE  
 FIRE PROTECTION SYSTEM: NOT SPRINKLERED

**SCOPE OF WORK:**  
 FIRE ALARM WORK FOR DAY CARE. WORK INCLUDES:

- ADDRESSABLE FIRE ALARM CONTROL PANEL
- PULL STATION AT EXITS
- SMOKE DETECTORS IN CLASSROOMS, CORRIDORS AND COMMON AREAS
- CARBON MONOXIDE DETECTION IN CLASSROOMS
- NOTIFICATION THROUGH HORNS AND STROBES THROUGHOUT

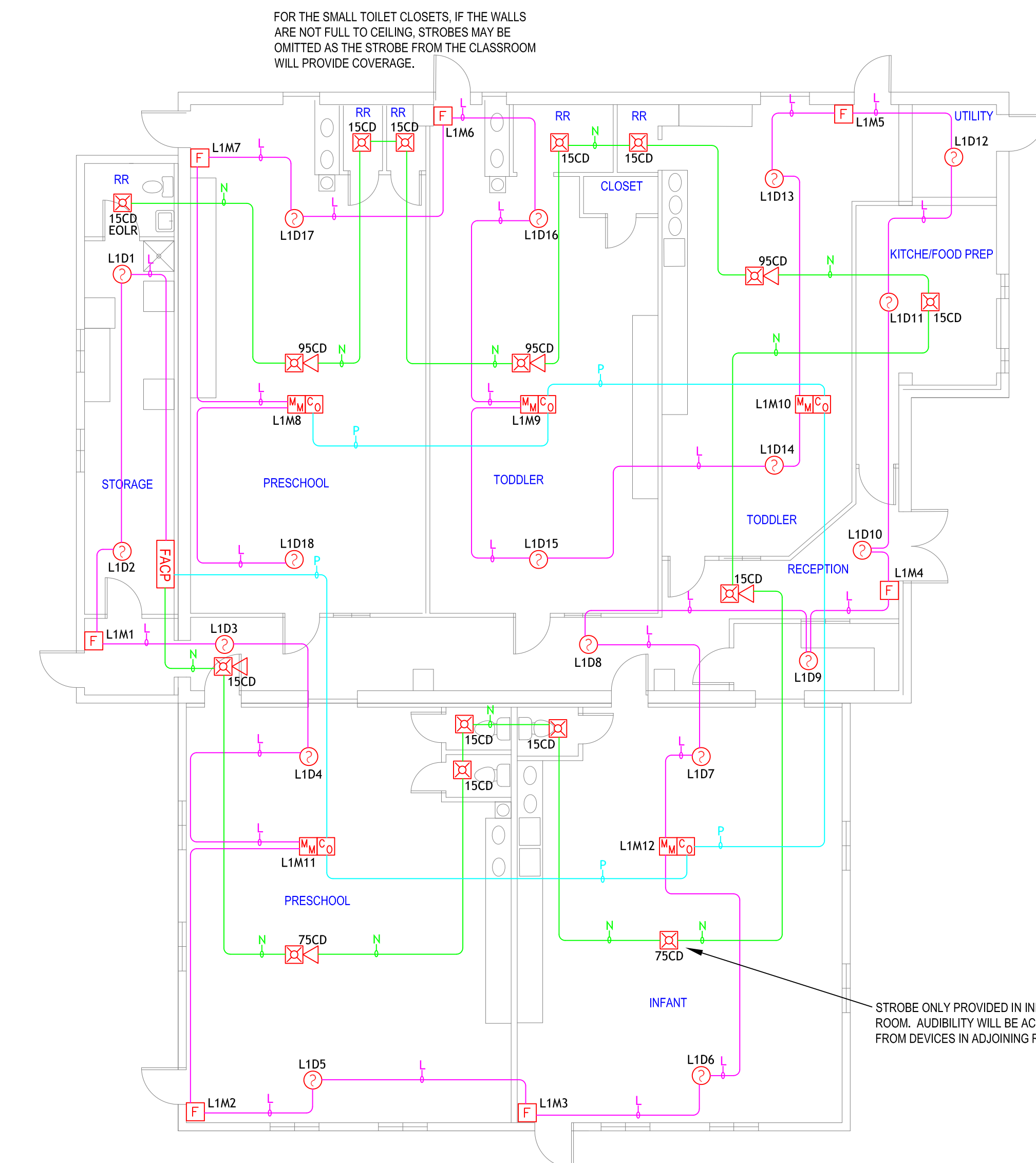
## Fire Alarm Sequence of Operations

SYSTEM INPUTS	SYSTEM OUTPUTS							
	A	B	C	D	E	F	G	H
1 Manual Pull Station	X	X						X
2 Smoke Detector	X	X						X
3 Carbon Monoxide Alarm	X		X					X
4 AC Power Failure		X		X				
5 FACP Low Battery		X		X				
6 Open Circuit		X		X				
7 Ground Fault		X		X				
8 Notification Appliance Circuit Short		X		X				
9 Alarm Signal Silence					X			

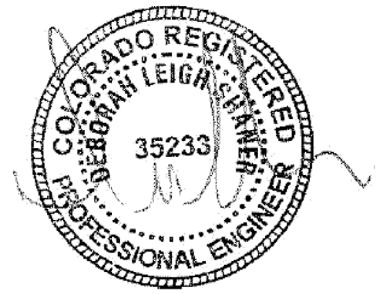
ID	CIRCUIT	SIZE	NOTES	PART #	PLENUM	PART #	RISER
L	SIGNALING LINE CIRCUIT (SLC)	16/2 SOLID TWISTED PAIR	6,000' MAXIMUM CIRCUIT LENGTH, MAXIMUM IMPEDANCE PER WIRE SEGMENT 50ohm	761360		728100	
N	NOTIFICATION APPLIANCE CIRCUIT (NAC)	14/2 SOLID PAIR		7679630		7291030	
D	INITIATING DEVICE CIRCUIT (IDC)	16/2 SOLID PAIR		7613610		7281010	
P	AUXILIARY NON-RESETTING POWER (24VDC)	14/2 SOLID PAIR		767966		729106	
S	SYNCHRONIZATION WIRE	14/2 SOLID PAIR	REQUIRED FROM FACP TO ALL REMOTE POWER SUPPLIES	7679640		7291040	
PH	COMMUNICATOR	CAT-6 OR BETTER	PROVIDED BY OTHERS; REQUIRES PRIMARY AND BACKUP, MAY NOT BE RUN WITHIN ONE COMMON CAT-6 CABLE	556609		775609	

### \*\*\* INSTALLATION NOTES \*\*\*

1. ALL WIRE PART NUMBERS SHOWN ARE FROM WINDY CITY WIRE AND MEET THE MINIMUM REQUIREMENTS OF THE MANUFACTURER. CONTRACTOR MAY SUBSTITUTE CABLE WITH OTHER.
2. INSTALLING CONTRACTOR SHALL BE NICET LEVEL II MINIMUM OR EQUIVALENT AS ALLOWED BY THE AHA. MINIMUM AHA REQUIREMENTS MUST ALSO BE MET.
3. CONTRACTOR SHALL REVIEW ALL DRAWINGS AND ASSOCIATED DOCUMENTATION TO FAMILIARIZE THEMSELVES WITH THE SYSTEM PRIOR TO BEGINNING ANY INSTALLATION.
4. NO CIRCUITS MAY BE "T" TAPPED INCLUDING THE SLC CIRCUIT. (CONTACT CSI FOR CLARIFICATION).
5. ALL WIRE RUNS MAY NOT BE SPECIFICALLY OR INDIVIDUALLY SHOWN ON THE FLOOR PLANS. REFER TO THE RISER DIAGRAM TO ENSURE ALL CIRCUITS ARE ACCOUNTED FOR.
6. IF A DISCREPANCY OCCURS BETWEEN THE FLOOR PLAN AND/OR THE RISER CONTACT CSI FOR CLARIFICATION BEFORE INSTALLING ANY CABLE. FAILURE TO DO SO WILL BE AT CONTRACTORS OWN RISK.
7. ALL NOTIFICATION AND 24VDC CIRCUITS MUST BE INSTALLED AS INDICATED ON THE DRAWINGS DUE TO VOLTAGE DROP CALCULATIONS. IF THE CIRCUITS CANNOT BE RUN AS INDICATED ON THE DRAWINGS, CONTACT CSI FOR CLARIFICATION.
8. FIBER REQUIREMENTS INDICATED ARE FOR REFERENCE ONLY. FIBER CONTRACTOR SHALL REVIEW ALL FIBER DOCUMENTATION TO ENSURE ALL REQUIREMENTS HAVE BEEN MET PRIOR TO INSTALLATION.
9. ALL CIRCUITS SHALL BE INDIVIDUALLY COLOR CODED AS PER NEC.
10. ALL CIRCUITS SHALL BE PULLED CONTINUOUSLY WITH THE ONLY TERMINATIONS AT THE DEVICE AND WITH THE SAME GAUGE WIRE.
11. FOR BUILDINGS EMPLOYING SELECTIVE EVACUATION AND/OR REQUIRING SURVIVABILITY, SPEAKER CIRCUITS LEAVING THE CONTROL PANEL SHALL BE 2-HOUR RATED MINIMUM UNTIL ENTERING THE ROOM.
12. ALL 24VDC FOR REMOTE ANNUNCIATORS MUST BE RUN TO THE SAME POWER SUPPLY AS INDICATED. (FDU-80, LCD-80 AND LCD-160)
13. ALL WIRING AND INSTALLATION MUST MEET NEC, NFPA-72 AND LOCAL JURISDICTION INSTALLATION STANDARDS.



FLOOR PLAN  
 SCALE: 1/8" = 1'-0"



**Commercial Specialists, Inc.**  
 \* Fire Alarm \* BI - Directional Amplifiers \* Test & Inspections \*  
 \* Security \* Intercom \* Area of Rescue \* Access Control \*

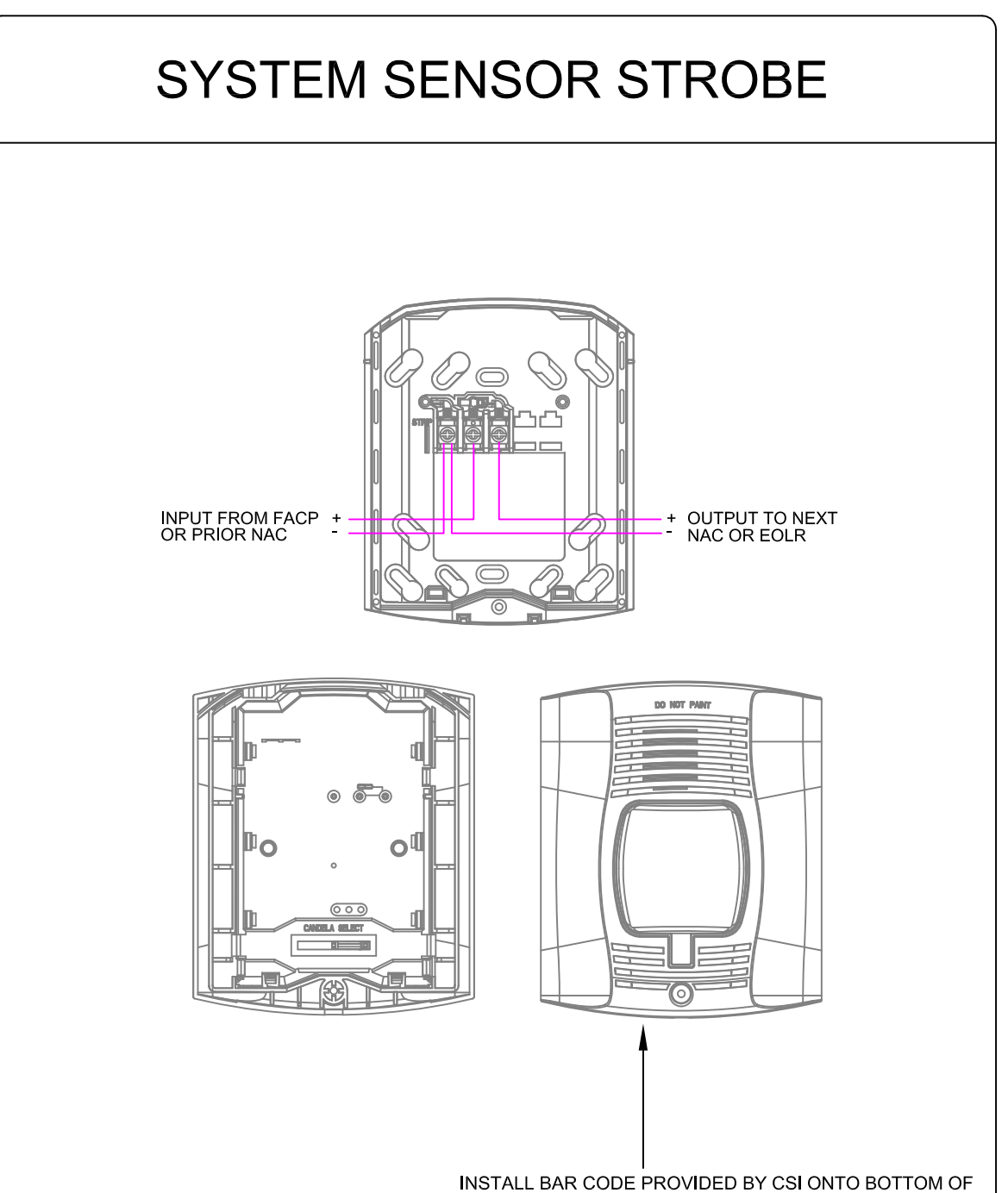
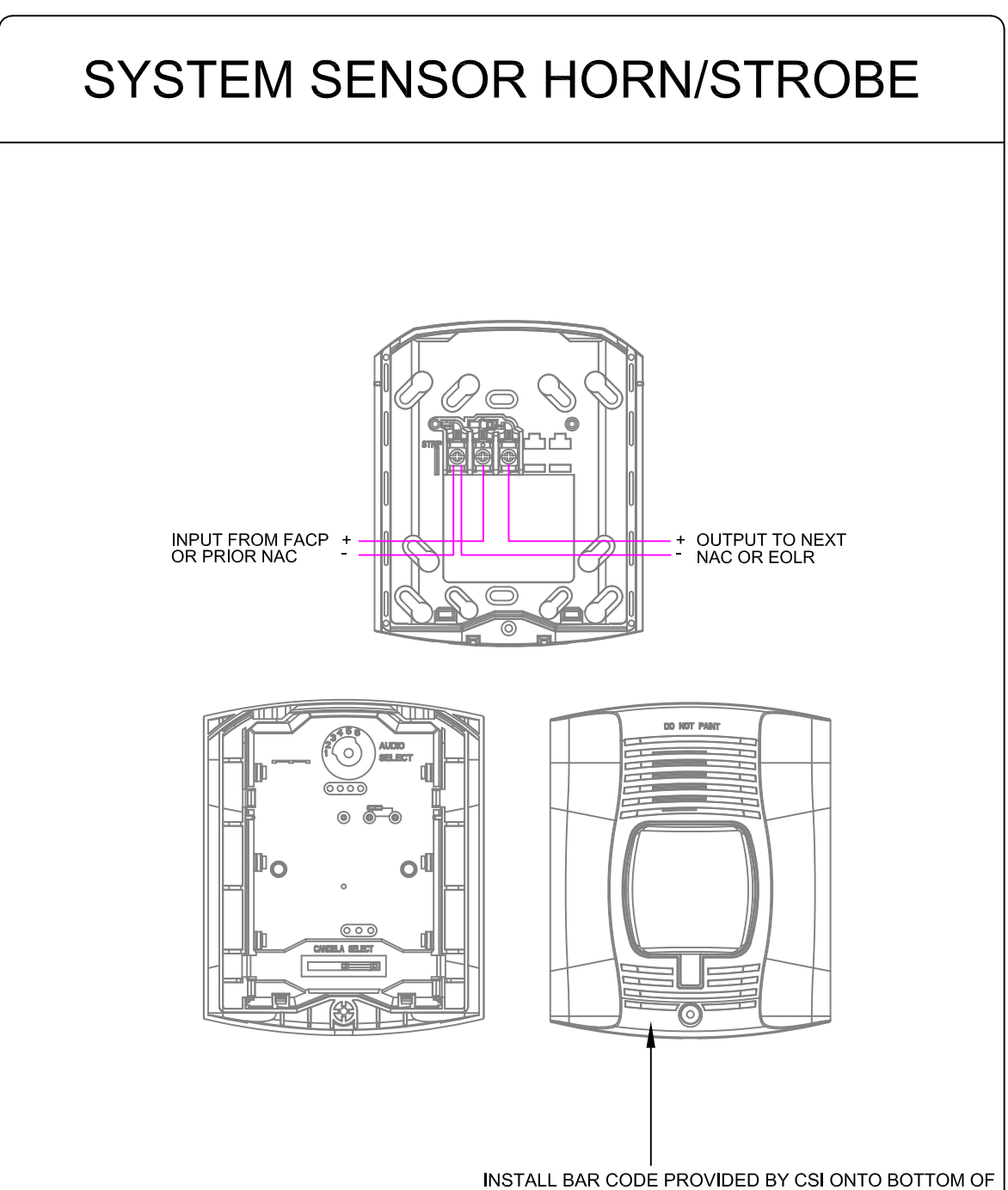
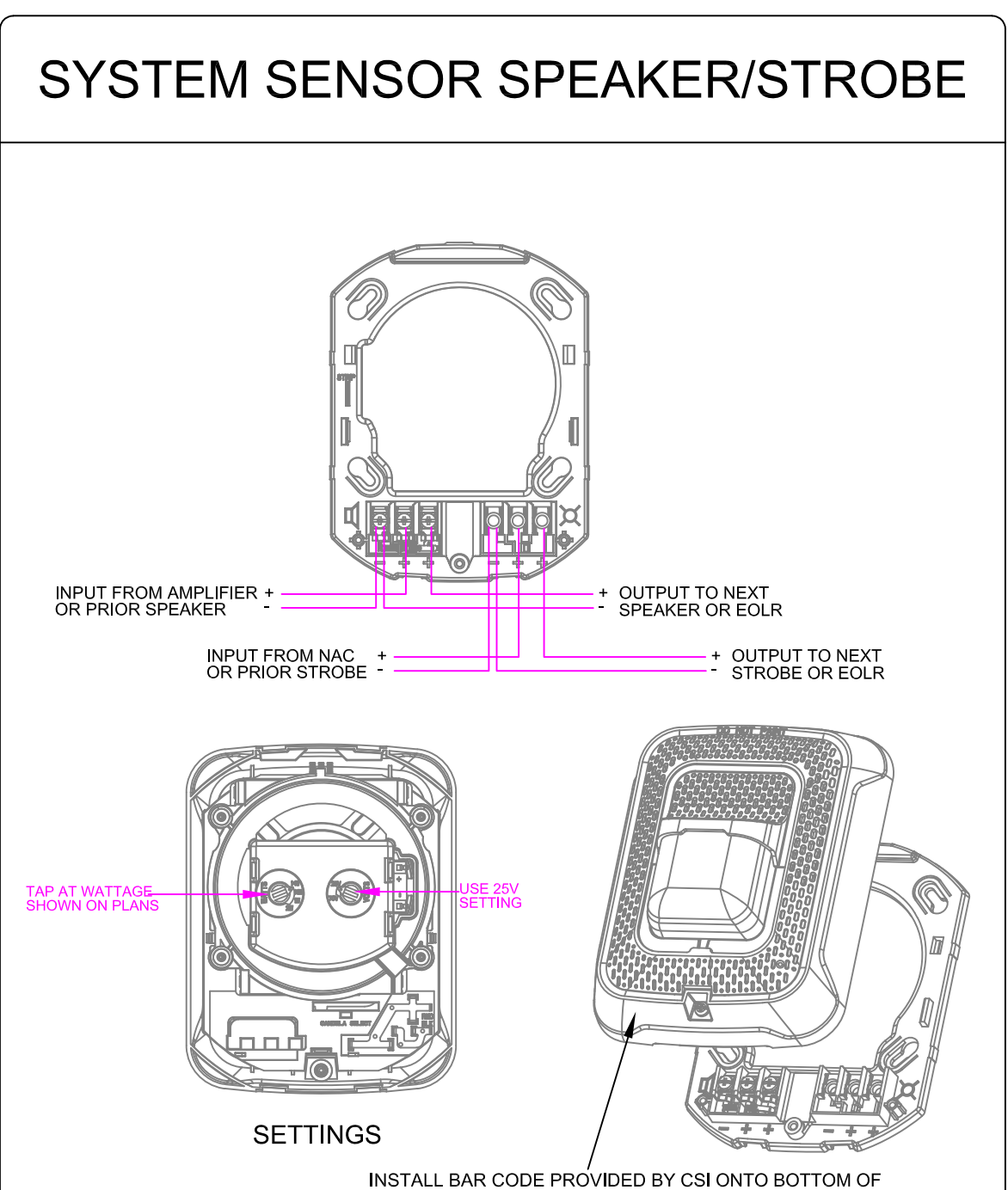
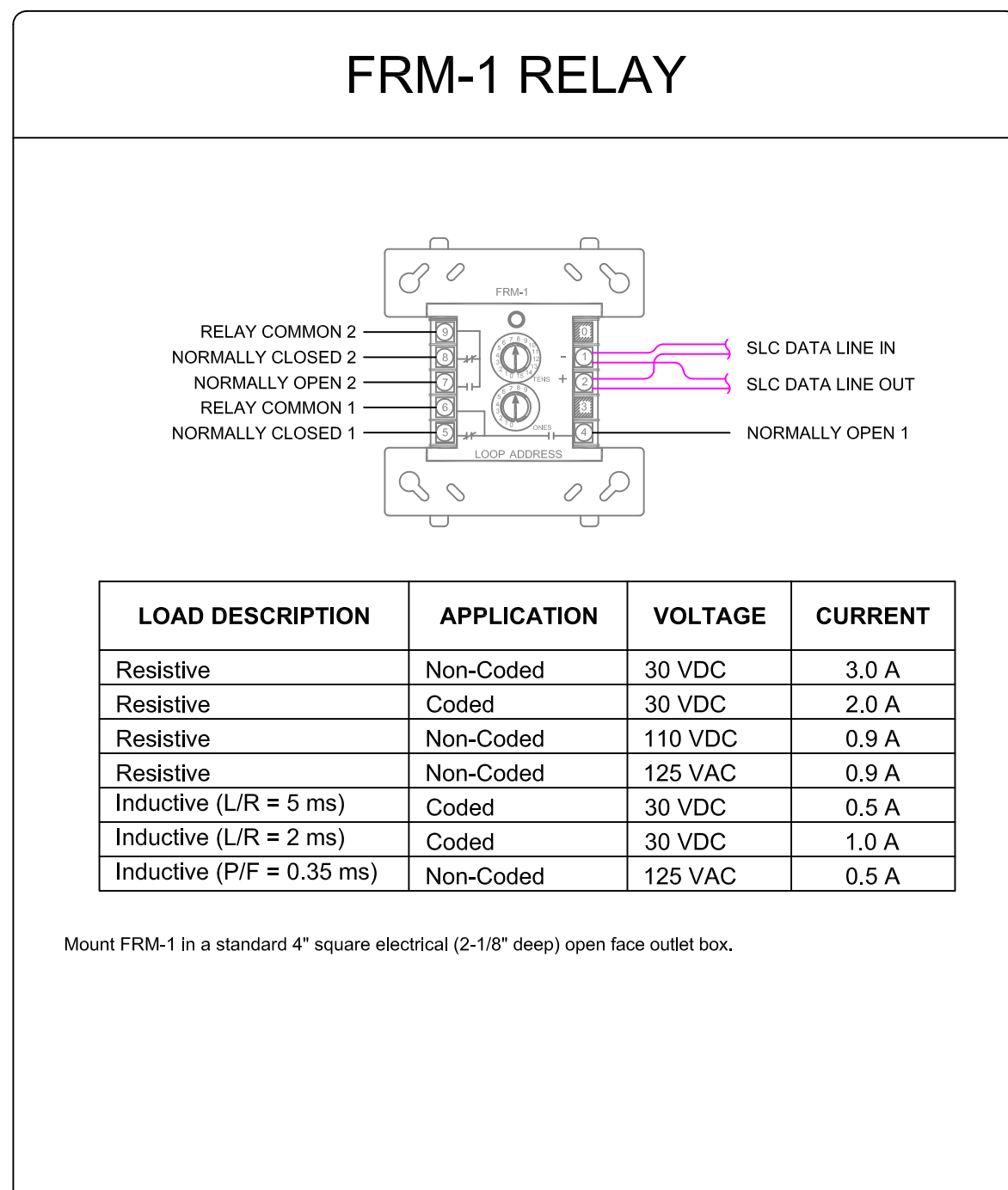
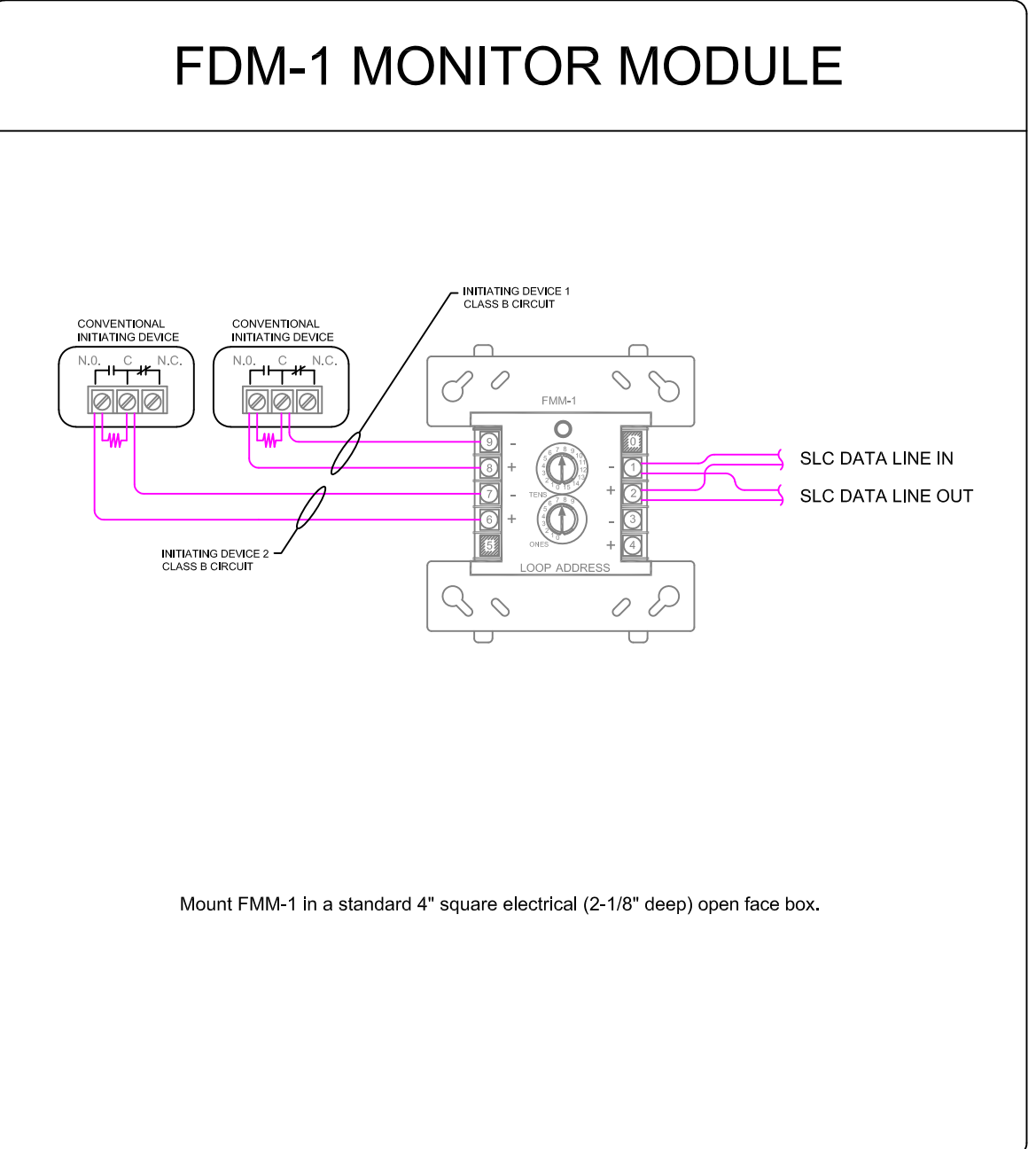
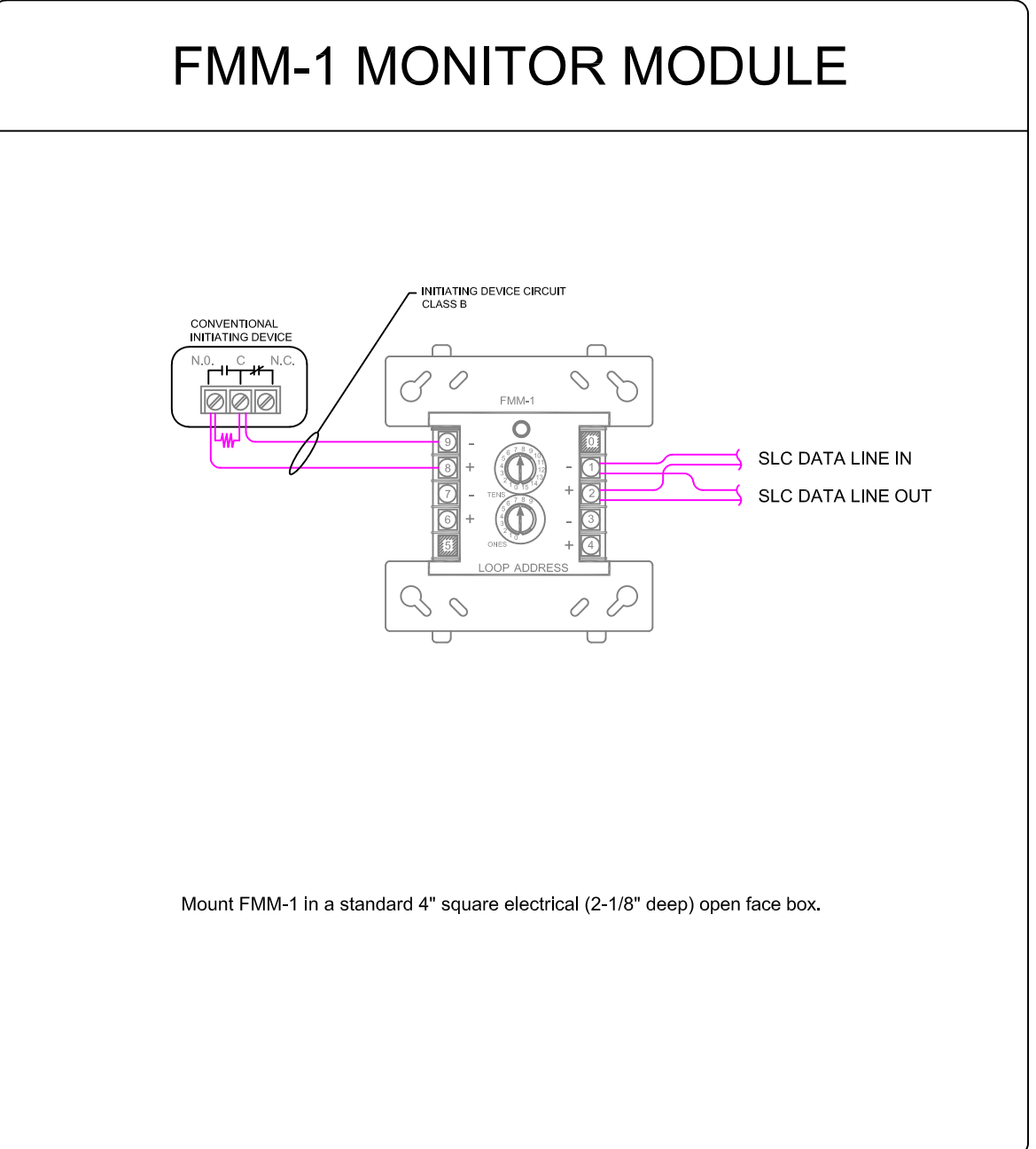
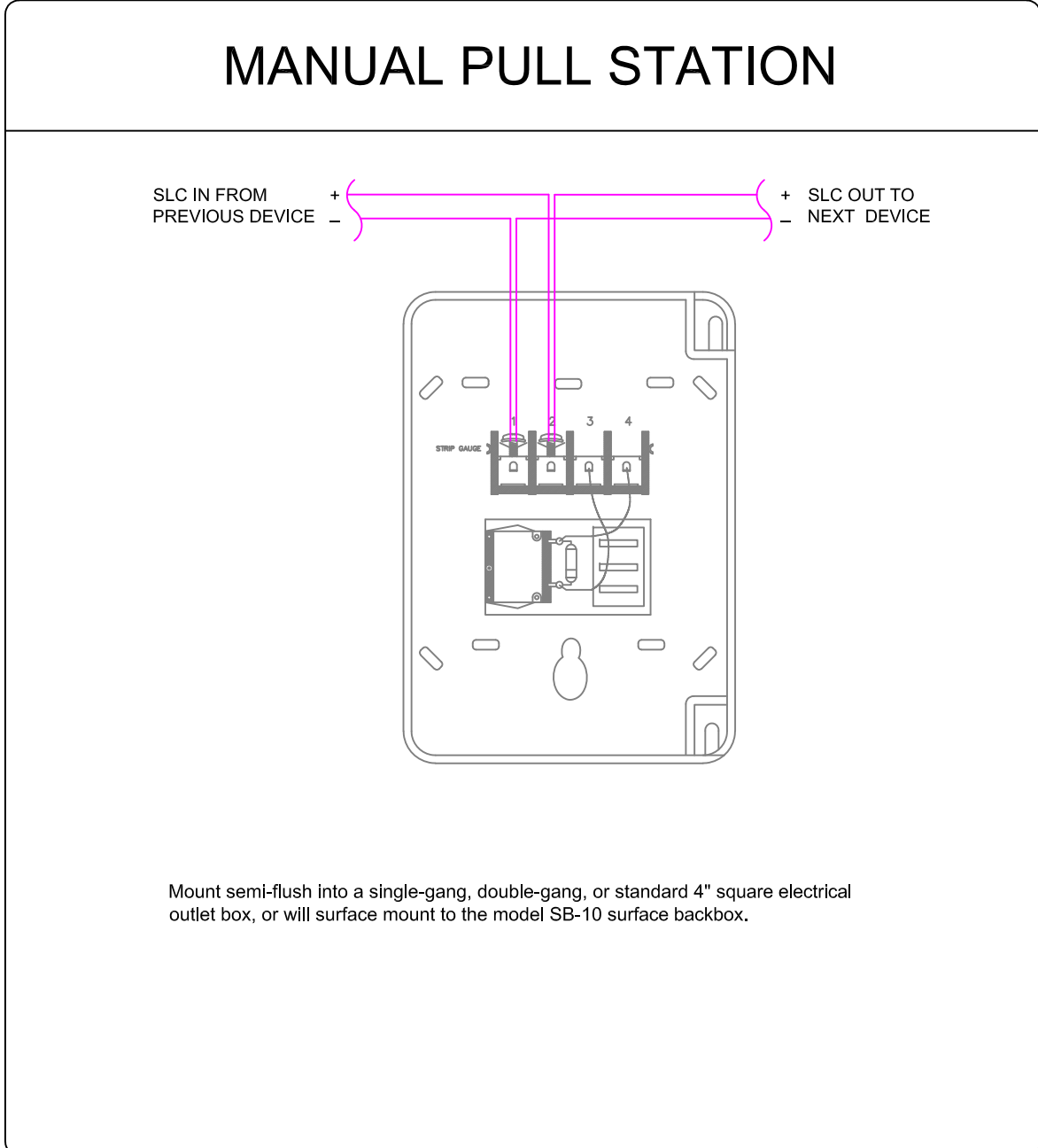
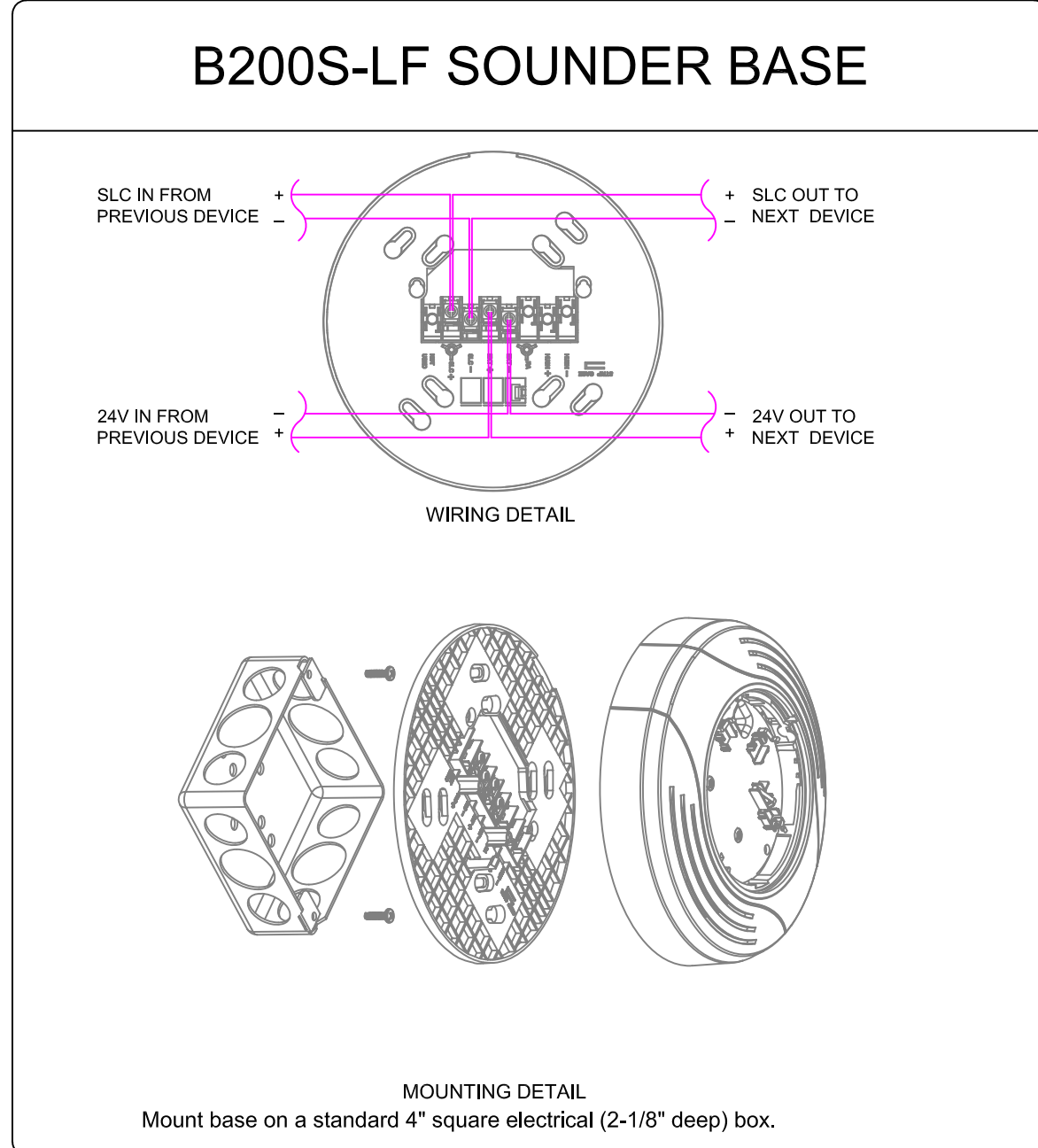
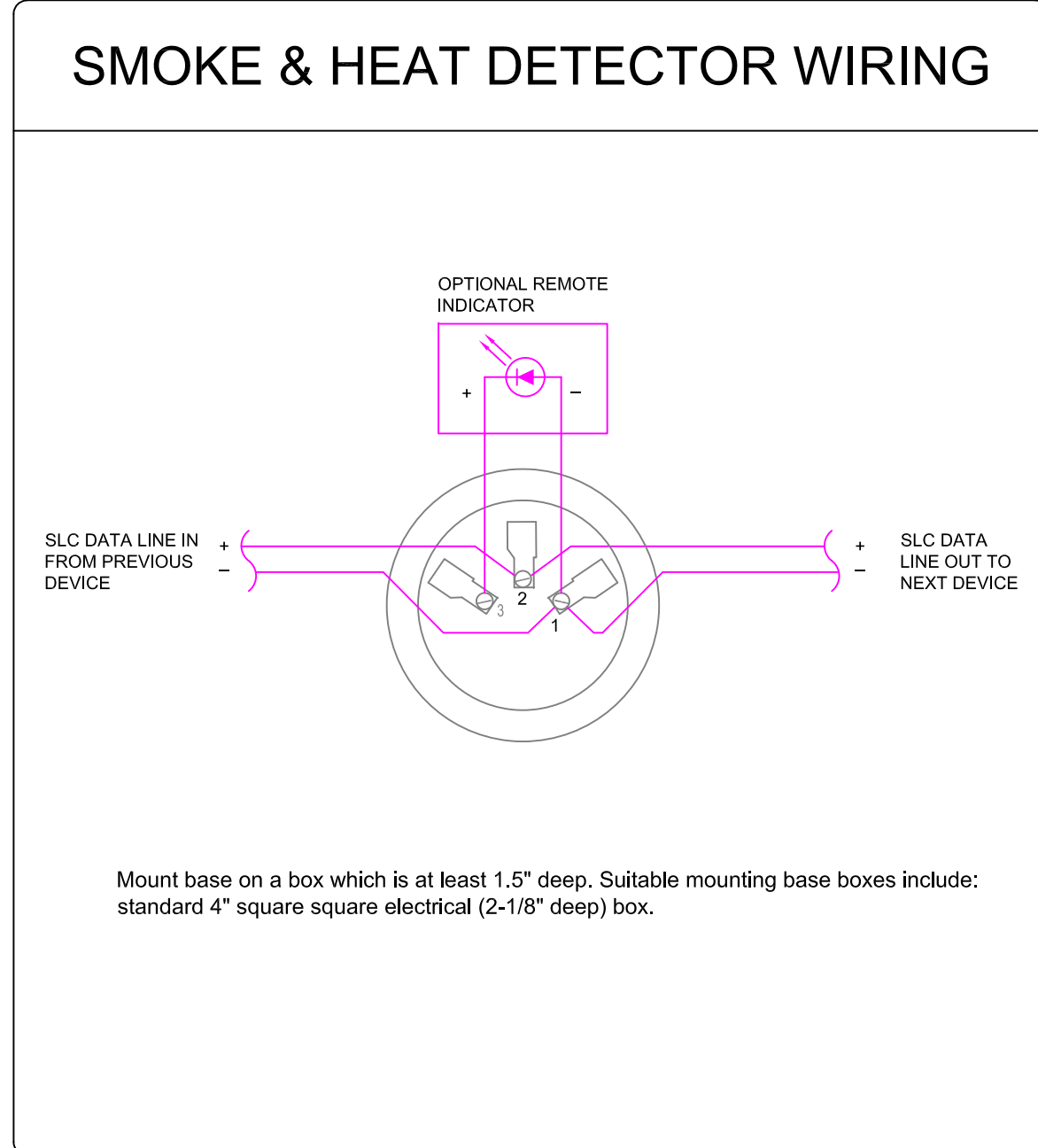


CITY OF GRAND JUNCTION  
 DAY CARE CENTER  
 545 25-1/2 ROAD  
 GRAND JUNCTION, COLORADO  
 -FIRE ALARM SYSTEM-

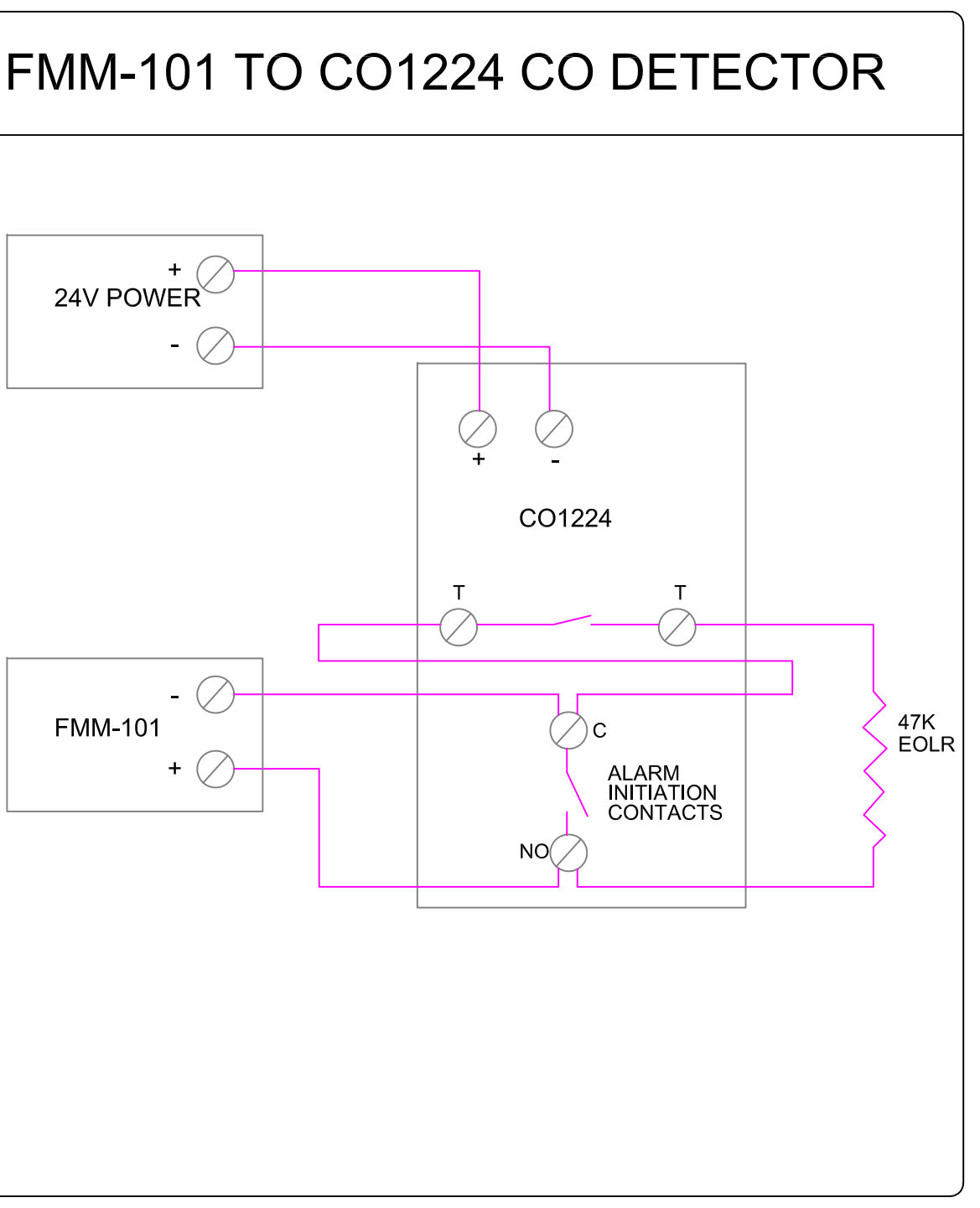
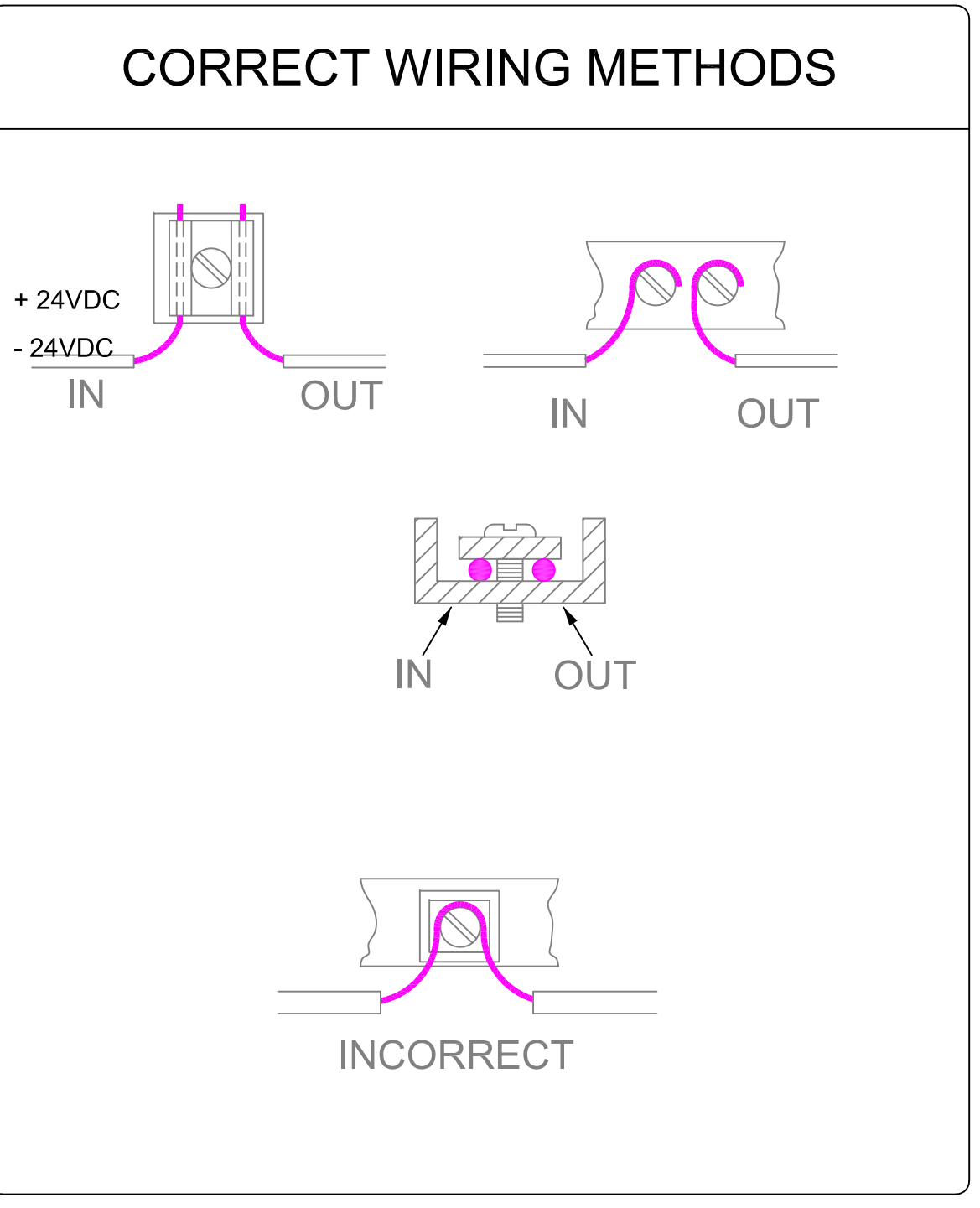
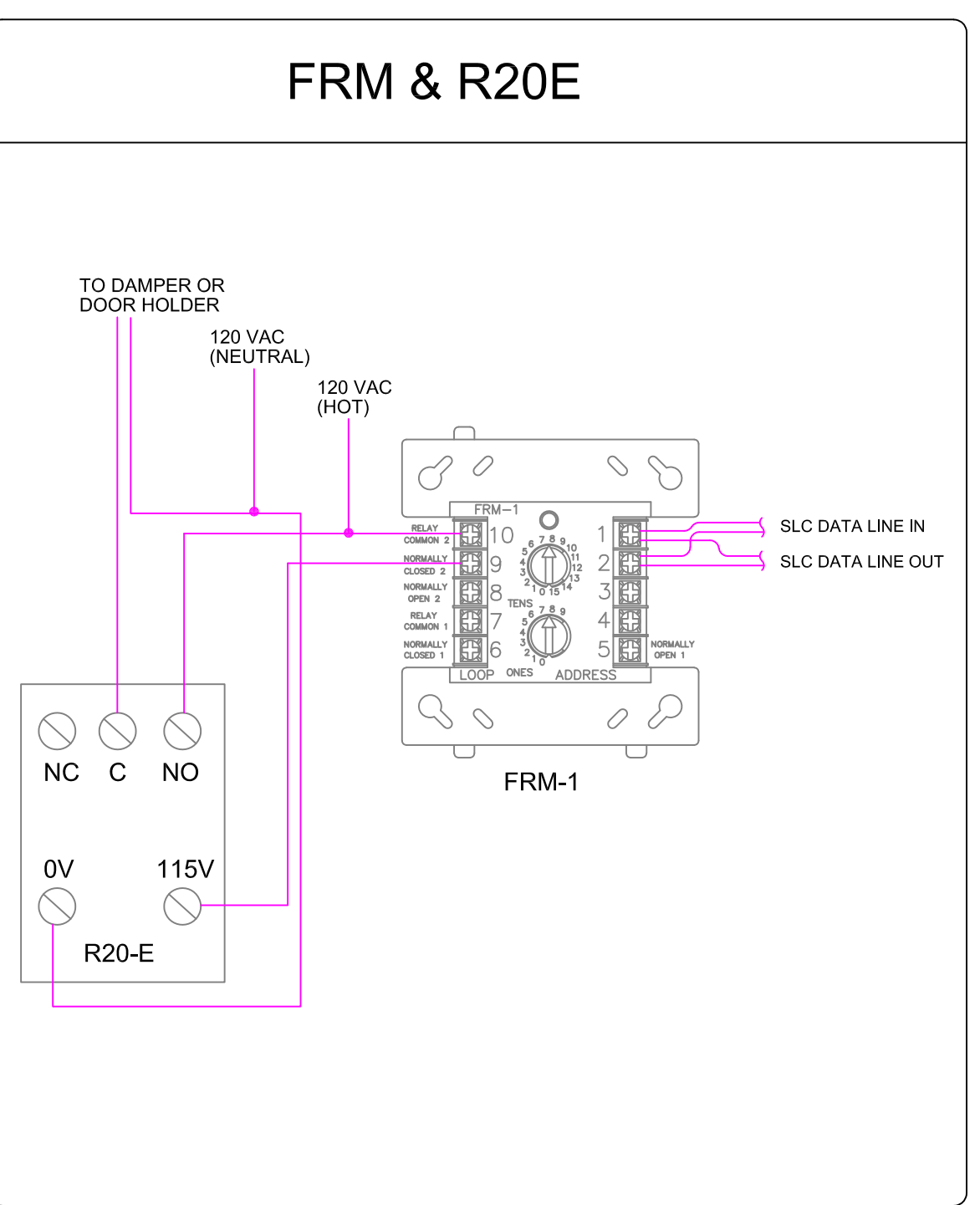
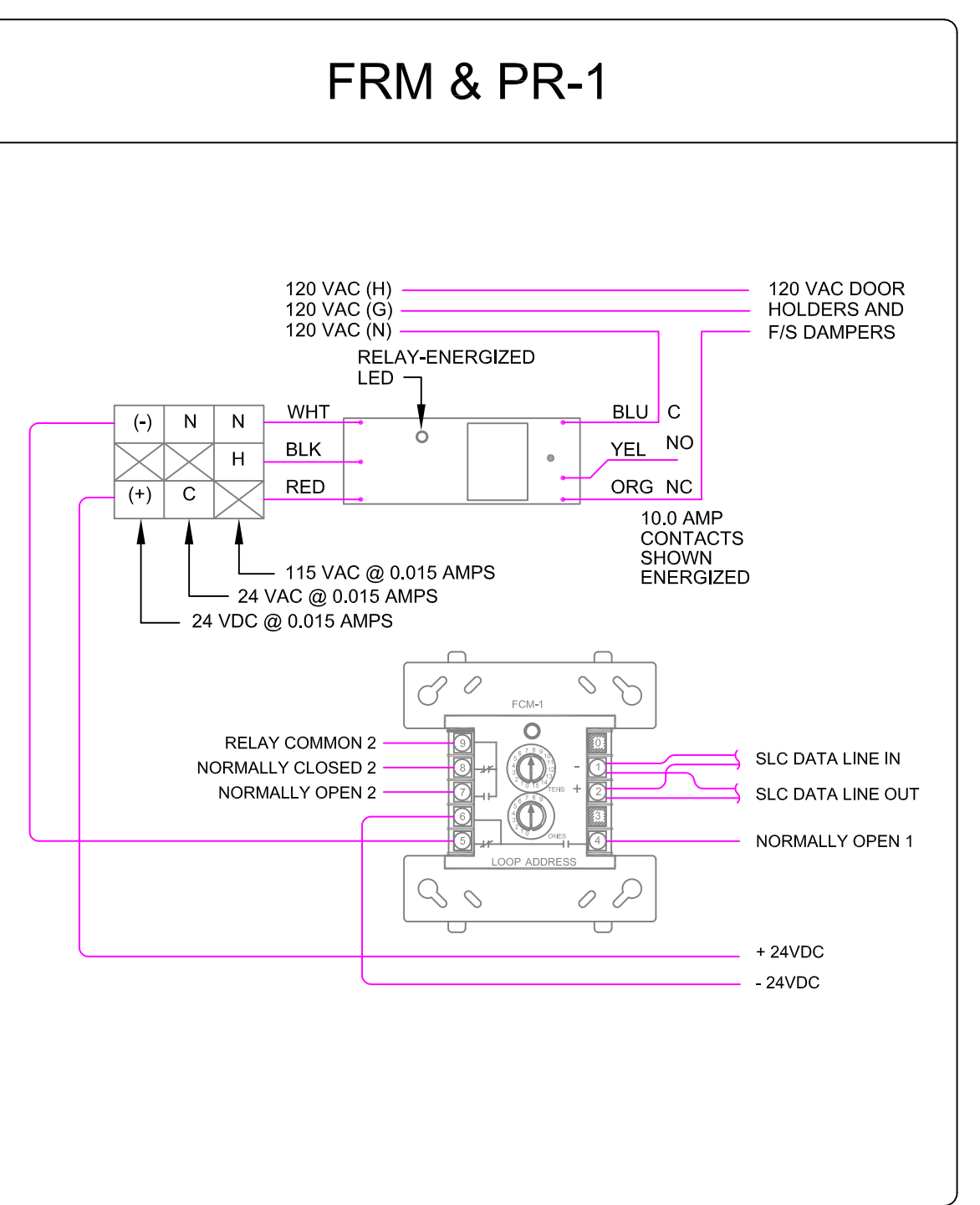
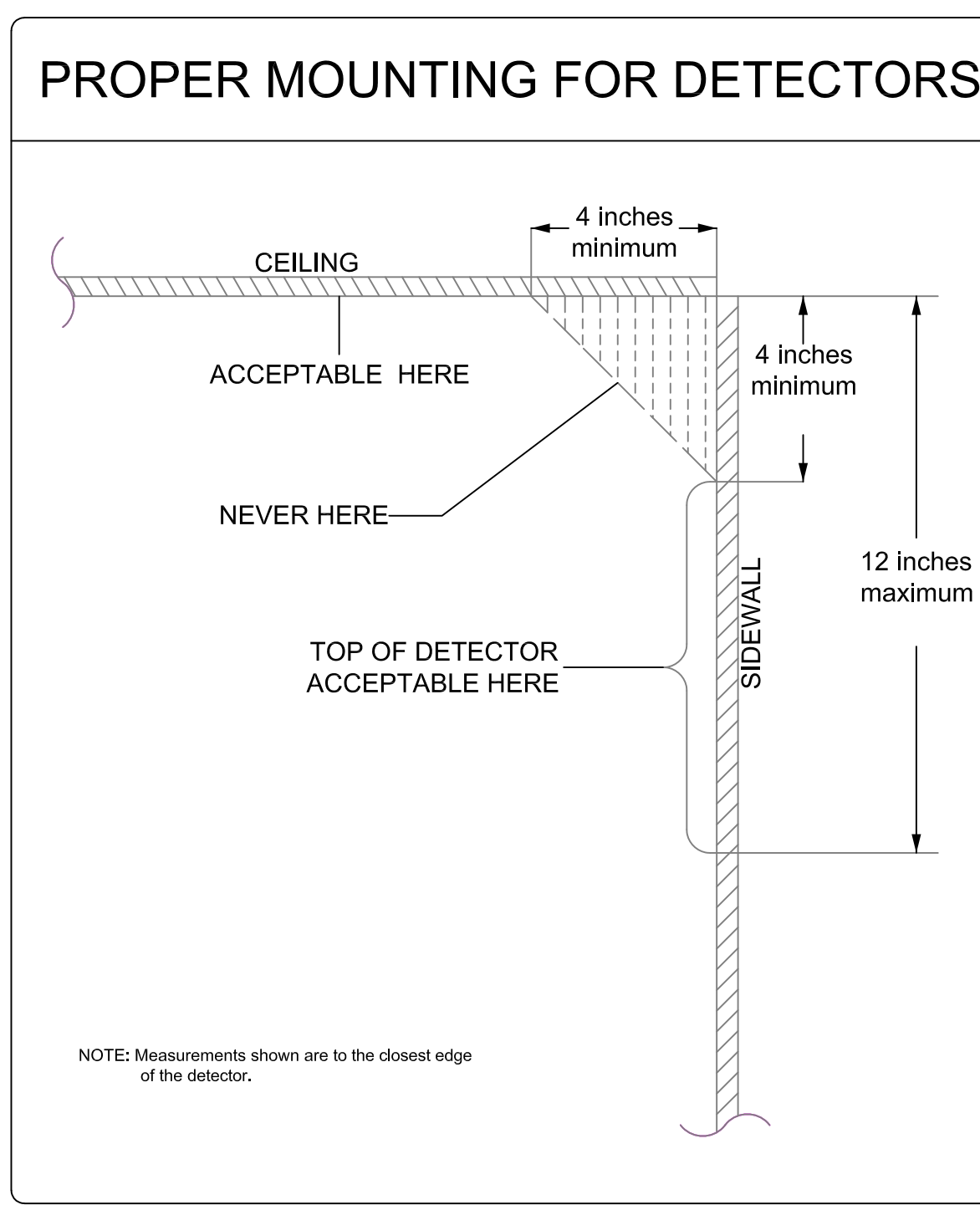
FA-0.00

210 MARQUET LANE #B-5, EAGLE, COLORADO 81631  
 PHONE: (970) 328-1951 @CSWCFIRE.COM

DATE: 6/29/22  
 DESCRIPTION: FOR PERMIT



DETAIL SHEET IS TYPICAL. NOT ALL DEVICES OR DETAILS SHOWN WILL BE APPLICABLE TO THIS PROJECT.



DATE	DESCRIPTION FOR PERMIT
6/29/22	

**Commercial Specialists, Inc.**

\* Fire Alarm \* BI - Directional Amplifiers \* Test & Inspections \*  
\* Security \* Intercom \* Area of Rescue \* Access Control \*

**CSI**

210 MARQUET LANE #B-5, EAGLE, COLORADO 81631  
601 MULBERRY STREET, GRAND JUNCTION, COLORADO 81501  
PHONE: (970) 241-0268 @CSIG.COM

**CITY OF GRAND JUNCTION  
DAY CARE CENTER**

545 25-1/2 ROAD  
GRAND JUNCTION, COLORADO  
**-FIRE ALARM SYSTEM-**