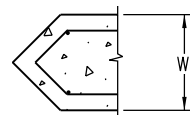


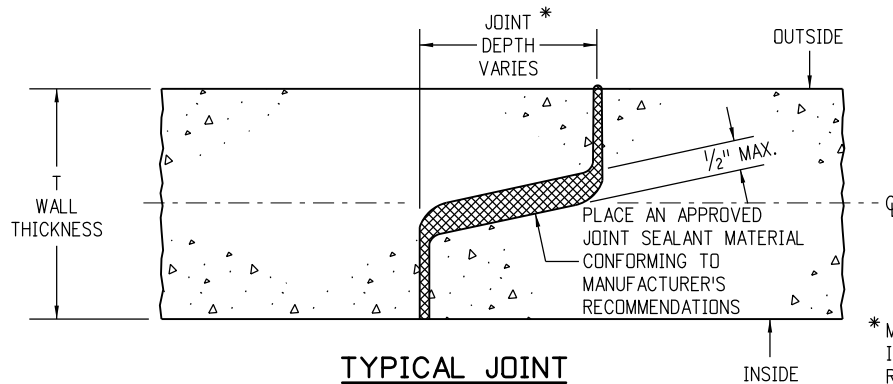
EXCAVATION & BACKFILL WILL BE MEASURED AND PAID FOR TO THIS LINE IN ACCORDANCE WITH SECTION 206.

**EXCAVATION & BACKFILL**  
(DOUBLE PARALLEL PRECAST BOX CULVERT INSTALLATION SHOWN)

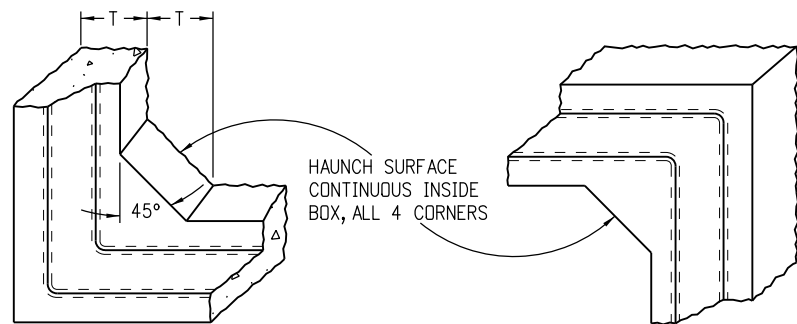
■ GROUT OR FOAM SEALANT SHALL BE USED WHEN SPECIFIED ON THE PLANS.



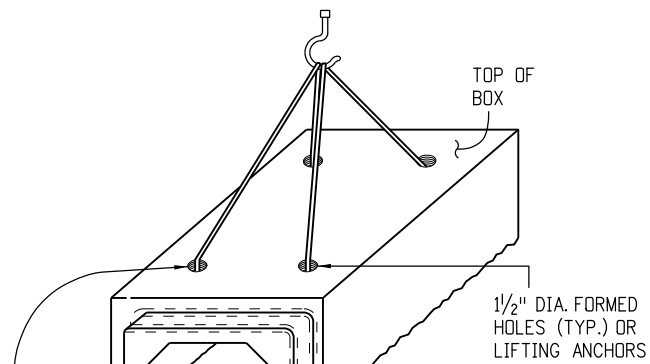
**NOSE ANGLE DETAIL**  
SEE STANDARD PLANS M-601-2, AND 3 TYPICAL AT ADJACENT BOXES DRILL AND GROUT REINFORCING BARS (TYP.)



**TYPICAL JOINT**

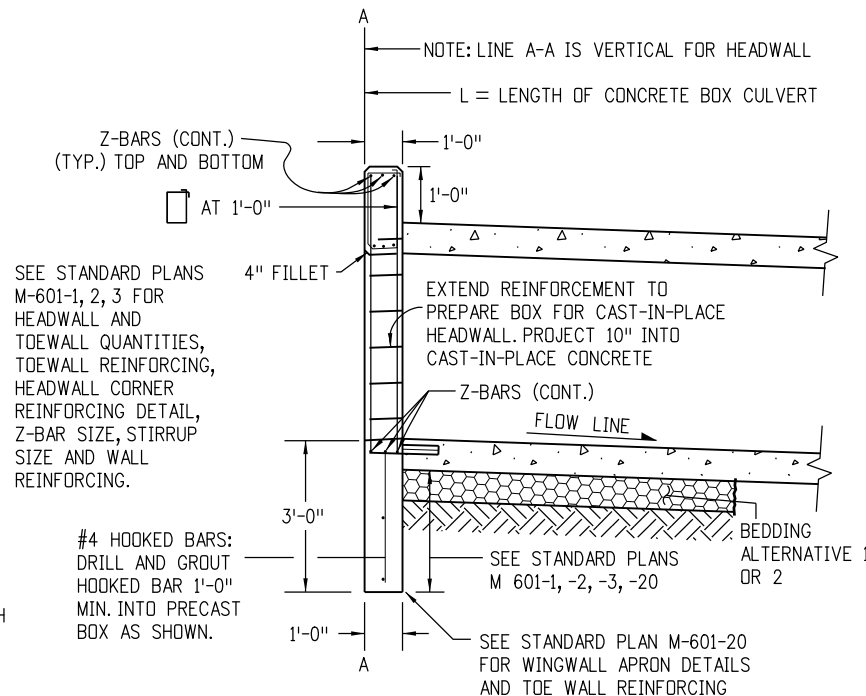


**CORNERS**

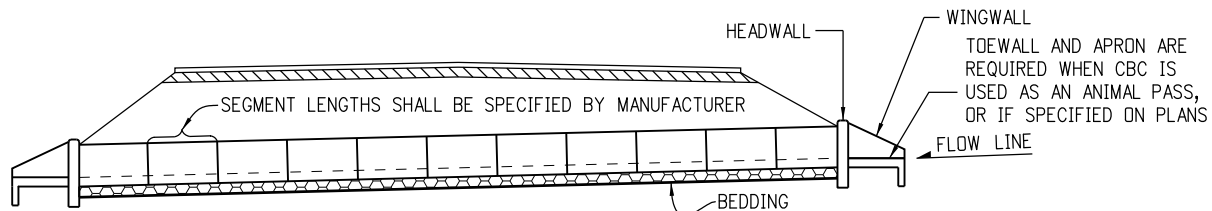


**LIFTING**

LIFTING HOLES (LOCATED BY MFR.) SHALL BE FILLED WITH GROUT BEFORE BACKFILLING IS STARTED, (2 HOLES PLACED DIAGONALLY MAY SUFFICE FOR SMALLER BOX SIZES). LIFTING ANCHOR RECESSES MAY NOT BE FILLED.



**CULVERT END (WITH HEADWALL)**



**TYPICAL CULVERT INSTALLATION**

**GENERAL NOTES**

1. PRECAST CONCRETE BOX CULVERT SHALL CONFORM TO THE REQUIREMENTS OF THE FOLLOWING SPECIFICATIONS:

ITEM OR CONDITION	MIN. COVER	AASHTO	EQUIV. ASTM
2 FT. OR MORE COVER	2 FT.	M 259, TABLE 2	C 1433, TABLE 2
LESS THAN 2 FT. COVER	0 FT.	M 273, TABLE 2	C 1433, TABLE 2
PREFORMED JOINT MATERIAL	—	M 198, 6.1 OR 6.2	C 990, 6.1 OR 6.2
SPAN 20 FT. OR MORE	0 FT.	—	C 1577

THE SPECIFICATIONS LISTED ABOVE SHOW REINFORCING PLACEMENT, EARTH COVER AND OTHER DETAILS NEEDED TO MANUFACTURE THE BOX CULVERTS.

THE DESIGN FOR A PRECAST CONCRETE BOX WITH A SPAN LARGER THEN 12 FT. SHALL BE PROVIDED BY THE MANUFACTURER.

2. THE CONTRACTOR SHALL SUBMIT TWO SETS OF WORKING DRAWINGS TO THE ENGINEER FOR INFORMATION ONLY, PRIOR TO FABRICATION.

3. BEDDING ALTERNATIVE 1 OR 2 IS REQUIRED:

BEDDING ALTERNATIVE IS AT THE CONTRACTOR'S OPTION. BEDDING AND EXCAVATION FOR BEDDING WILL NOT BE MEASURED AND PAID FOR SEPARATELY, BUT SHALL BE INCLUDED IN THE WORK.

BEDDING ALTERNATIVE 1 CONSISTS OF 6 IN. OF AGGREGATE BASE COURSE (CLASS 6) COMPACTED TO NOT LESS THAN 95% MAXIMUM DENSITY DETERMINED IN CONFORMANCE WITH AASHTO T 180.

BEDDING ALTERNATIVE 2 CONSISTS OF AN 3 IN. THICK, MINIMUM, LEAN CONCRETE BASE. CEMENT CONTENT = 250 LBS./CU. YD.

**AGGREGATE GRADATION FOR ALTERNATIVE 2 BEDDING:**

PASSING 2 IN. SIEVE	—	100%
PASSING NO. 4 SIEVE	—	20% TO 70%
PASSING NO. 200 SIEVE	—	5% TO 15%

4. CBC JOINTS USING RUBBER GASKETS SHALL MEET ASTM C1677.

5. CLASS 1 DRAINAGE GEOTEXTILE SHALL BE COMPLETELY WRAPPED AROUND ALL CBC JOINTS WHICH DO NOT HAVE RUBBER GASKETS. THE GEOTEXTILE SHALL EXTEND A MINIMUM OF 1 FT. ON EACH SIDE OF JOINTS AND SHALL OVERLAP AND BE SECURELY ATTACHED FOR AT LEAST 1 FT. AT ITS ENDS. THE WRAP SHALL BE A SMOOTH FIT (NOT LOOSE OR STRETCHED) JUST PRIOR TO BACKFILL. THE GEOTEXTILE MATERIAL SHALL MEET THE APPLICABLE REQUIREMENTS OF SECTION 420. COST FOR GEOTEXTILE WILL NOT BE MEASURED AND PAID FOR SEPARATELY, BUT SHALL BE INCLUDED IN THE WORK.

6. FOR ANY CULVERT SPAN 20 FT. OR GREATER, A FOUNDATION INVESTIGATION AND REPORT ARE REQUIRED. A LOAD-AND-RESISTANCE FACTOR DESIGN (LRFD) IS REQUIRED USING ASTM C 1577.

7. THE CONTRACTOR HAS THE OPTION OF PROVIDING A CBC WHICH MEETS ASTM C 1577 FOR SPANS LESS THAN 20 FT.

8. SEE M-601-1, 2, AND 3 FOR CAST-IN-PLACE CONCRETE BOX CULVERT DETAILS.

**LEGEND**

	STRUCTURE EXCAVATION LIMITS
	STRUCTURE BACKFILL, (CLASS 1)
	EMBANKMENT MATERIAL
	EARTH
	BEDDING
	CONCRETE

**Computer File Information**

Creation Date: 07/31/19	(R-X)
Designer Initials: JBK	(R-X)
Last Modification Date: 07/31/19	(R-X)
Detailer Initials: LTA	(R-X)
CAD Ver.: MicroStation V8 Scale: Not to Scale Units: English	(R-X)

**Sheet Revisions**

Date:	Comments

Colorado Department of Transportation



2829 West Howard Place  
CDOT HQ, 3rd Floor  
Denver, CO 80204  
Phone: 303-757-9021 FAX: 303-757-9868

Project Development Branch

JBK

**PRECAST CONCRETE BOX CULVERT**

Issued by the Project Development Branch: July 31, 2019

STANDARD PLAN NO.

M-603-3

Standard Sheet No. 1 of 1

Project Sheet Number: