



SUBMITTAL TRANSMITTAL FOR APPROVAL

GJ Public Safety Building
555 Ute Avenue
Grand Junction, CO 81501

Project No: 10013-
Tel: 970-254-3119
Fax: 970-254-3112

DATE: 12/01/2011

TRANSMITTED TO:
Roy Blythe
Blythe Group + Co
618 Rood Avenue
Grand Junction, CO 81501

TRANSMITTED BY:
Robert Glover
Shaw Construction LLC
Tel: 970-242-9236
Fax: 970-241-5618
Email: robertg@shawconstruction.net

SUBMITTAL PACKAGE No: 087100

REVISION No: 0

PACKAGE DESCRIPTION: Door Hardware

ITEM	DESCRIPTION	TYPE	COPIES	DATE SENT	DATE DUE
2	Product Data - Aluminum Door Hardware	Product Data	1	12/01/2011	12/14/2011

NOTES:

Shaw Construction LLC

Reviewed for compliance only and subject to the approval of the Architect/Engineer of Record. This review does not relieve the subcontractor of the responsibility for making the work conform to the requirements of the contract. The subcontractor is responsible for all dimensions, correct fabrication and accurate fit with the work of other trades.

Submittal Package # 08 71 00
Submittal Item # 2
Date 12/2/11

ARCHITECT'S SUBMITTAL ACTION

- A-APPROVED
- B-APPROVED AS NOTED
- C-REVISE AND RESUBMIT
- D-NOT APPROVED
- E-NOT REQUIRED FOR A/E REVIEW

Action taken in accordance with provisions of the Contract Documents.

BLYTHE GROUP + CO.

BY pt: DATE 01/18/12
SUBMITTAL NO. 08 71 00-2

NOTE: REF PR #35 FOR UPDATES TO HARDWARE SETS 1.0, 2.0 AND 3.0. IF PR IS NOT ACCEPTED BY OWNER, THEN PREVIOUS HARDWARE SHOWN ON SUBMITTAL IS ACCEPTABLE.

SIGNATURE

DATE

2700 N. FREEWAY
PUEBLO, CO 81003



PHONE: (719) 543-3124
(800) 215-7614
FAX: (719) 543-1921

TRANSIT MIX DOOR
(719) 475-0100

COLORADO STATE SAFE & LOCK
(719) 471-0095

ALUMINUM DOOR HARDWARE CUT SHEETS

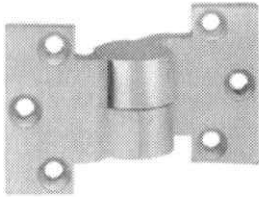
MCKINNEY DOOR & HARDWARE, INC.

PROJECT MANAGER: Mike Musso
(719) 543-3124
mike_musso@mckinneydoor.com

MODEL 119

Application
Full Mortise
Handed

BHMA/ANSI NO: C07382

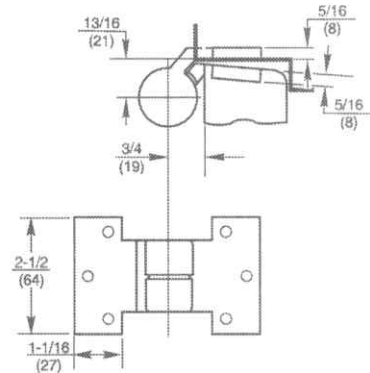


Product Description & Features

- Not load-bearing
- Available 3/4"(19mm) offset only
- Non-ferrous base material
- Used with 117, 117-1/4, 195, UNI closers, 127 closer
- Maintains door alignment
- Furnished with wood and machine screws

(Click here to view template)

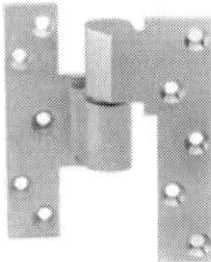
Technical Information



MODEL M19

Application
Full Mortise
Handed

BHMA/ANSI NO: C07321/C0731

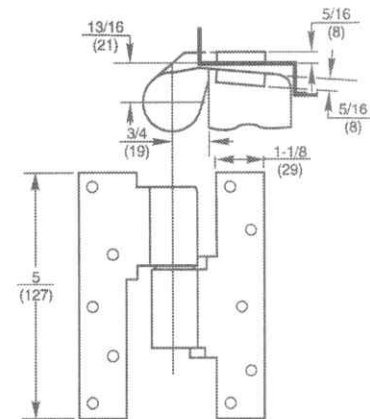


Product Description & Features

- Not load-bearing
- Maintains door alignment
- For 20-minute label suffix -20
- Non-ferrous base metal
- 3/4"(19mm) offset
- Available for fire door assemblies (ferrous material)—specify FM19
- On labeled fire door assemblies, NFPA80 requires an intermediate pivot for every additional 30"(762mm) (or fraction thereof) of door height over 60"(1524mm)
- Furnished with wood and machine screws

(Click here to view template)

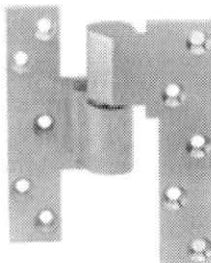
Technical Information



MODEL M190

Application
Heavy-Duty Full Mortise
Handed

BHMA/ANSI NO: C07321

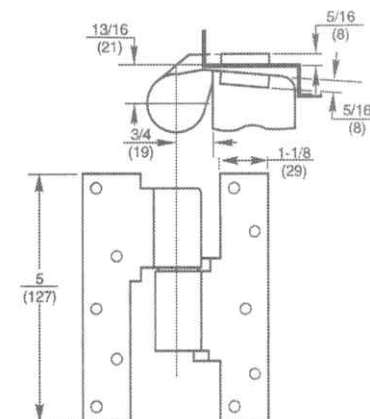


Product Description & Features

- Used when frame condition does not allow standard top pivot
- Heavy-duty needle bearing
- Non-ferrous base metal
- 3/4"(19mm) offset
- Lateral load-bearing
- Available for fire door assemblies (ferrous material)—specify FM190
- For 20-minute label suffix -20
- On labeled fire door assemblies, NFPA80 requires an intermediate pivot for every additional 30"(762mm) (or fraction thereof) of door height over 60"(1524mm)
- Furnished with wood and machine screws

(Click here to view template)

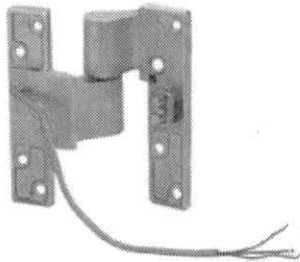
Technical Information



MODEL CS-M19

Application

Offset Hung
Electric Pivot for Door
Position Monitoring
Handed

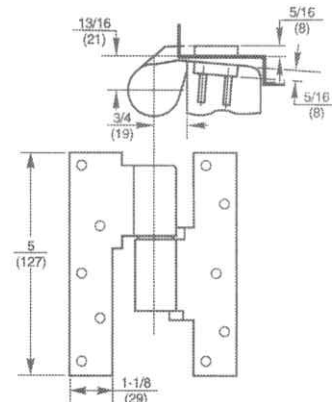


Product Description & Features

- Maintains door alignment
- Magnetically activated reed switch in frame leaf of pivot transmits door position signal to a remote control unit
- Adjusting screw is easy to set on-site after installation. Screw is disguised as an installation screw
- Door and jamb portion are factory assembled and cannot be separated
- Switch rated at 0.3 amps and 28 volts maximum
- Not available in ferrous material
- 3/4" (19mm) offset
- Not load-bearing
- Furnished with wood and machine screws
- For 20-minute label, suffix -20

(Click here to view template)

Technical Information

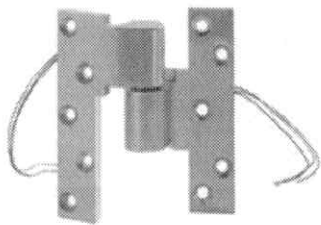


Pivots & Pivot Sets

MODEL E-M19

Application

Offset Hung
Electric Pivot for Power Transfer
Handed

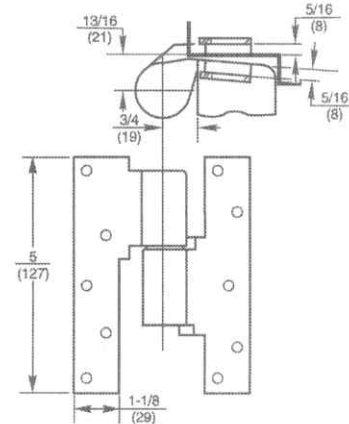


Product Description & Features

- Maintains door alignment
- Standard with four wires, six wires maximum
- 24-gauge wire is rated at 2 amps for low voltage, class II wiring applications
- Available in non-ferrous and malleable iron for fire door assemblies—specify EFM19
- 3/4" (19mm) offset
- Not load-bearing
- Door and jamb portion are factory assembled and cannot be separated
- Furnished with wood and machine screws
- For 20-minute label, suffix -20

(Click here to view template)

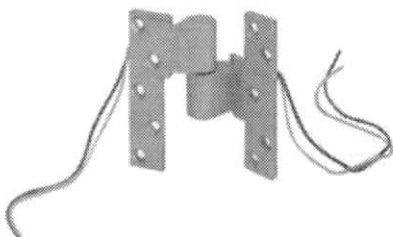
Technical Information



MODEL E-M19U

Application

Offset Hung
Electric Pivot for Power Transfer
Handed

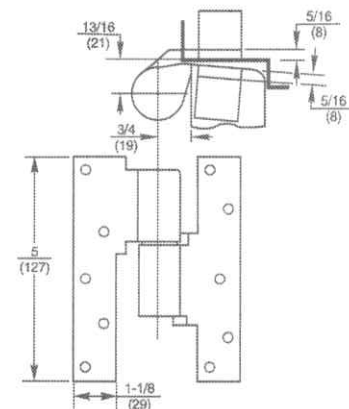


Product Description & Features

- Maintains door alignment
- Designed and UL listed for wiring used with electrical panic devices and other electronic locking means
- Junction boxes are supplied with pivots
- Door and jamb portion are factory assembled and cannot be separated. Wires pass through pivot for completely concealed wiring installations
- Available 2-wire only. Each wire is rated at 2 amps continuously. UL listed for 24-volt, Class I wiring
- Not available in ferrous material
- 3/4" (19mm) offset
- 18-gauge wire
- Furnished with wood and machine screws

(Click here to view template)

Technical Information

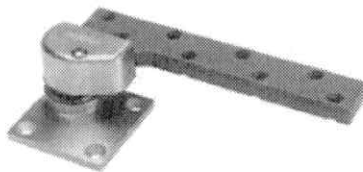


MODEL H147

Application

Exterior or Interior Doors
 Weight to 800 lbs.
 Door Width up to 3'6" (1067mm)
 Handed

BHMA/ANSI NO: C07162 (modified)



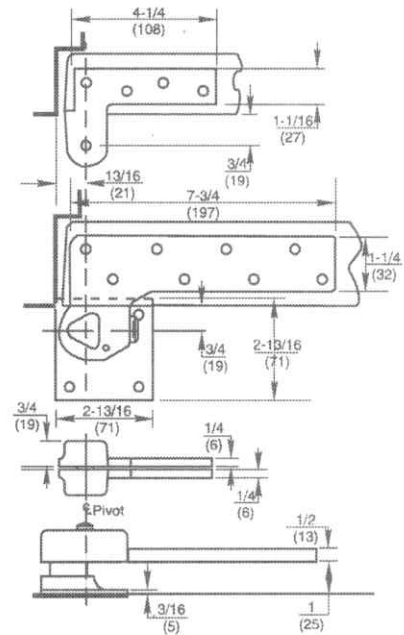
(Click here to view template)

* Door size & weight guidelines are determined using the appropriate number of intermediate pivots

Product Description & Features

- Standard top pivot H180 included
- M190 (order separately), see page 131
- Bottom pivot mounts directly to floor
- Available for fire door assemblies up to three hours for 1-3/4" (44mm) doors only –specify FH147. Intermediate pivot required by UL. Specify FM19 (order separately), see page 131
- For 20-minute label suffix –20
- Designed to accommodate narrow dense doors where traffic is moderate
- Bottom pivot features roller bearing for greater load capacity
- Doors over 60" (1524mm) require the use of one intermediate pivot. Every additional 30" (762mm) of door height warrants another intermediate pivot
- 3/4" (19mm) offset (measured from centerline of pivot to face of door)
- Door edges must be beveled 1/8" in 2"
- Furnished with wood and machine screws
- Extended spindles available in 1/2" (13mm) increments up to 2" (51mm)
- Doors will swing 180°, trim permitting

Technical Information

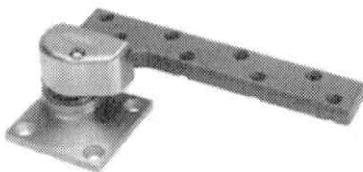


MODEL L147

Application

Exterior or Interior Doors
 Lead-Lined/Heavy/High Traffic Doors
 Weight to 1000 lbs.
 Door Width up to 3'6" (1067mm)
 Handed

BHMA/ANSI NO: C07162



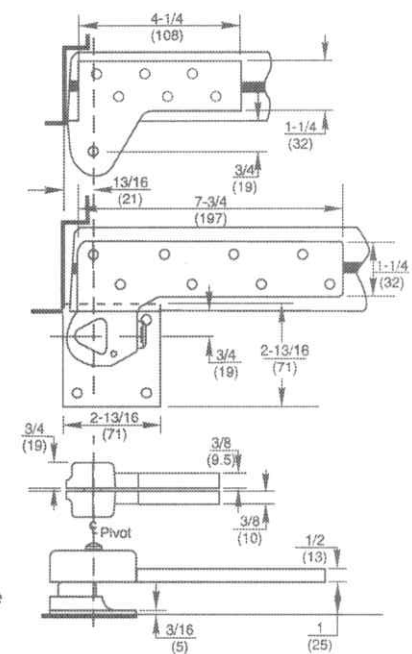
(Click here to view template)

* Door size & weight guidelines are determined using the appropriate number of intermediate pivots

Product Description & Features

- Standard top pivot L180 included
- ML19 (order separately), see page 132
- Bottom pivot mounts directly to floor
- Designed for lead-lined doors with lead in center of door
- Screw holes in top pivot and bottom arm designed to straddle lead lining
- Available for fire door assemblies up to three hours for 1-3/4" (44mm) doors only (ferrous material)–specify FL147. Intermediate pivot required by UL. Specify FML19 (order separately), see page 132
- For 20-minute label suffix –20
- Available to accommodate lead in door thicknesses 1-3/4" (44mm), 2" (51mm), 2-1/4" (57mm), 2-1/2" (64mm), or 3" (76mm) –specify when ordering
- Non-ferrous base metal
- Doors over 60" (1524mm) require the use of one intermediate pivot. Every additional 30" (762mm) of door height warrants another intermediate pivot
- 3/4" (19mm) offset (measured from centerline of pivot to face of door)
- Door edges must be beveled 1/8" in 2"
- Furnished with wood and machine screws
- Extended spindles available in 1/2" (13mm) increments up to 2" (51mm)
- Doors will swing 180°, trim permitting

Technical Information

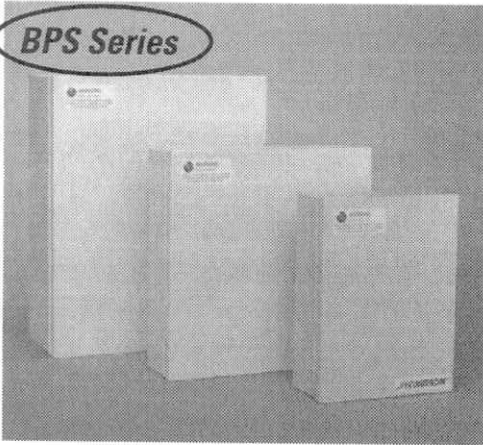


1-3/4 door shown

Verify capacity w/ access control system design. Some openings may require larger capacity.

POWER SOURCES

POWER SUPPLIES



BPS APPLICATIONS

For applications where there is interface with a fire alarm, or battery backup is needed, Securtron offers a full line of BPS power supplies. The BPS delivers significantly more current than our PSFs or PMs, and all BPS models are UL Class 2 listed, allowing for wire runs without the use of conduit from power supply to door. The BPSH series operates with 220 VAC. Metric cabinet dimensions available, please call tech support for more information.

BPS SPECIFICATIONS

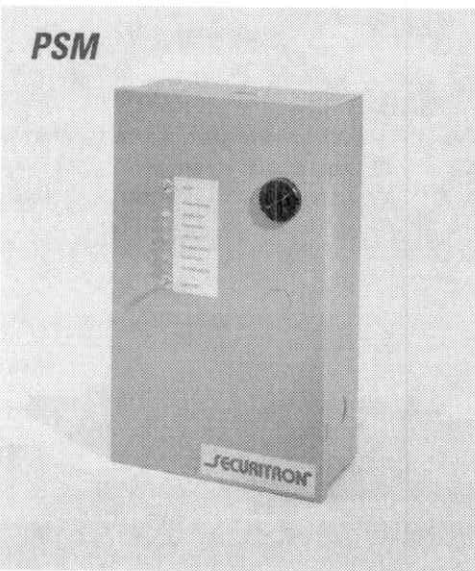
12 VDC	Capacity	24 VDC	Capacity	Outputs	Cabinet Size
BPS-12-1	1 A	BPS-24-1	1 A	1	12" X 9" X 4"
BPS-12-3	3 A	BPS-24-2	2 A	4	14" X 14" X 4"
BPS-12-4.5	4.5 A	BPS-24-3	3 A	4	14" X 14" X 4"
BPS-12-6	6 A	BPS-24-4	4 A	8	15" X 18" X 6"
BPS-12-9	9 A	BPS-24-6	6 A	8	15" X 18" X 6"
BPS-12-15	15 A	BPS-24-10	10 A	8	15" X 18" X 6"

PRODUCT FEATURES

- 1, 4 or 8 separate output circuit breakers
- LEDs monitor zone status (voltage, no voltage)
- Slide switches connect or disconnect load from power (not available on 1 Amp supplies)
- Internal capability of charging optional 12 or 24 VDC sealed lead acid backup batteries while operating the DC load
- Complete! Requires only 120VAC to the fused input
- Rugged steel enclosure
- Provided with emergency release terminals, allowing release of all devices upon fire alarm activation
- Fire alarm interface
- **UL class 2 listed**

HOW TO ORDER

PART#	DESCRIPTION	PART#	DESCRIPTION
BPS-12-1	Power Supply 12VDC-1 Amp	BPSH-12-1	Power Supply 12VDC-1 Amp 220VAC
BPS-12-3	Power Supply 12VDC-3 Amp	BPSH-12-3	Power Supply 12VDC-3 Amp 220VAC
BPS-12-4.5	Power Supply 12VDC-4.5 Amp	BPSH-12-4.5	Power Supply 12VDC-4.5 Amp 220VAC
BPS-12-6	Power Supply 12VDC-6 Amp	BPSH-12-6	Power Supply 12VDC-6 Amp 220VAC
BPS-12-9	Power Supply 12VDC-9 Amp	BPSH-12-9	Power Supply 12VDC-9 Amp 220VAC
BPS-12-15	Power Supply 12VDC-15 Amp	BPSH-12-15	Power Supply 12VDC-15 Amp 220VAC
BPS-24-1	Power Supply 24VDC-1 Amp	BPSH-24-1	Power Supply 24VDC-1 Amp 220VAC
BPS-24-2	Power Supply 24VDC-2 Amp	BPSH-24-2	Power Supply 24VDC-2 Amp 220VAC
BPS-24-3	Power Supply 24VDC-3 Amp	BPSH-24-3	Power Supply 24VDC-3 Amp 220VAC
BPS-24-4	Power Supply 24VDC-4 Amp	BPSH-24-4	Power Supply 24VDC-4 Amp 220VAC
BPS-24-6	Power Supply 24VDC-6 Amp	BPSH-24-6	Power Supply 24VDC-6 Amp 220VAC
BPS-24-10	Power Supply 24VDC-10 Amp	BPSH-24-10	Power Supply 24VDC-10 Amp 220VAC



PSM APPLICATIONS

The PSM Series Power Supply Monitor is for use with larger DC power supplies. Available in 12 or 24 VDC versions, the PSM can operate with all BPS Series supplies, having capacities of 2 Amp or more. The power supply monitor functions as a power supply alarm system, as it monitors all key functions and reports any trouble. The output voltage is continuously read to insure it remains within tight limits for proper float charging of the battery pack.

The PSM also checks the battery pack by taking it off charge three times a day and subjecting it to an extended load test. Failure is reported so that the pack may be replaced. The PSM also reports whenever batteries have switched in to the load. This provides vital warning that the load will continue to operate for only the standby duration of the pack.

CURRENT DRAW and VOLTAGE

3 Amp or greater for 12 VDC

2 Amp or greater for 24 VDC

Power Input: VDC power from corresponding power supply

CABINET DIMENSIONS

12" x 9" x 4" [305mm x 228mm x 102mm]

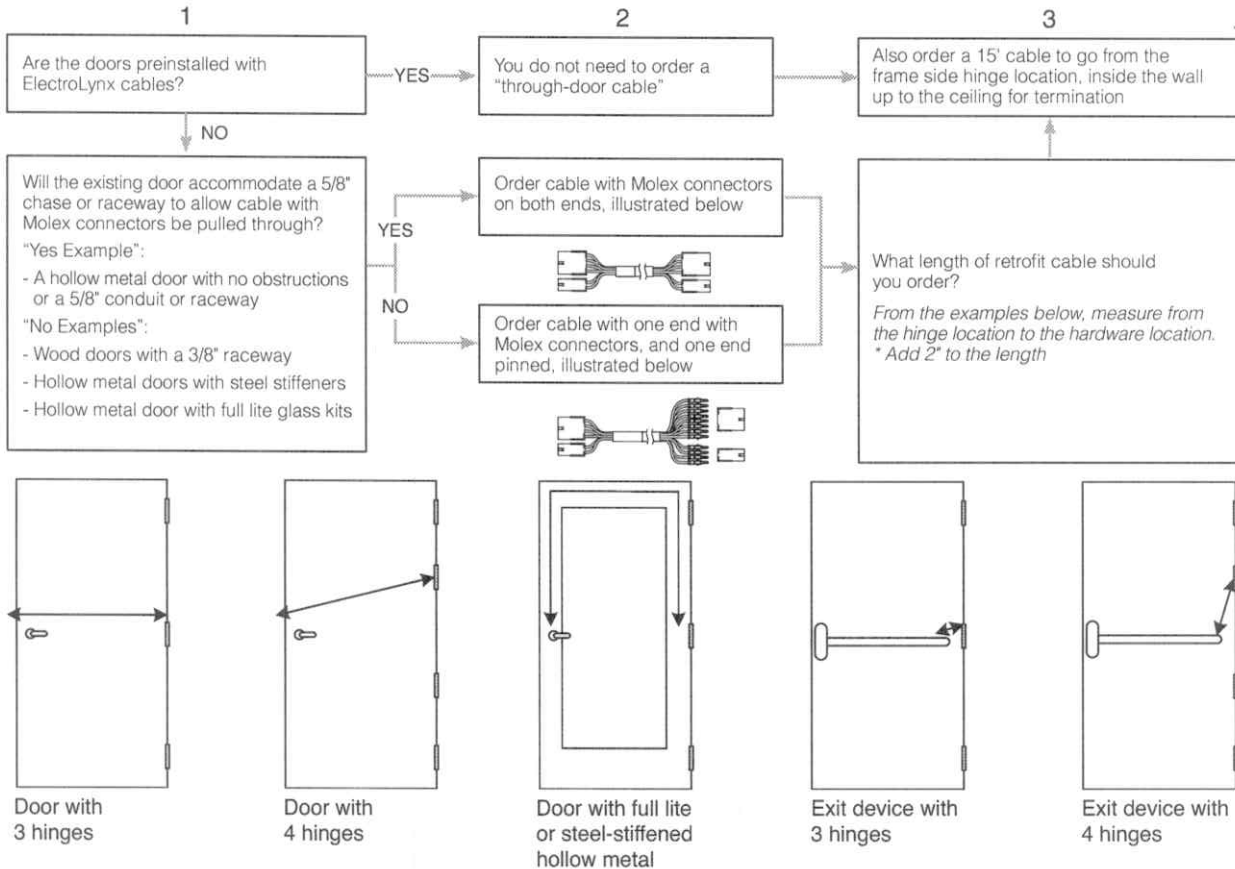
PRODUCT FEATURES

- Available for both 12 and 24 volt DC systems
- Monitors the power supply system's output voltage
- Audio and visual alarm
- Load tests the battery pack every 8 hours

HOW TO ORDER

PART#	DESCRIPTION
PSM-12	Power Supply Monitor 12VDC
PSM-24	Power Supply Monitor 24VDC

If you are not ordering ASSA ABLOY Door Group doors with the ElectroLynx cable pre-installed in the door, you must order an ElectroLynx retrofit cable to go between ANY hardware and the hinge. This includes 3" cables to go from the hinge to an exit device and up to a 15' cable to go up and around a full lite metal door. To ensure you order the correct ElectroLynx connecting cables, follow these steps:



Standard ElectroLynx Retrofit Cable Sizes

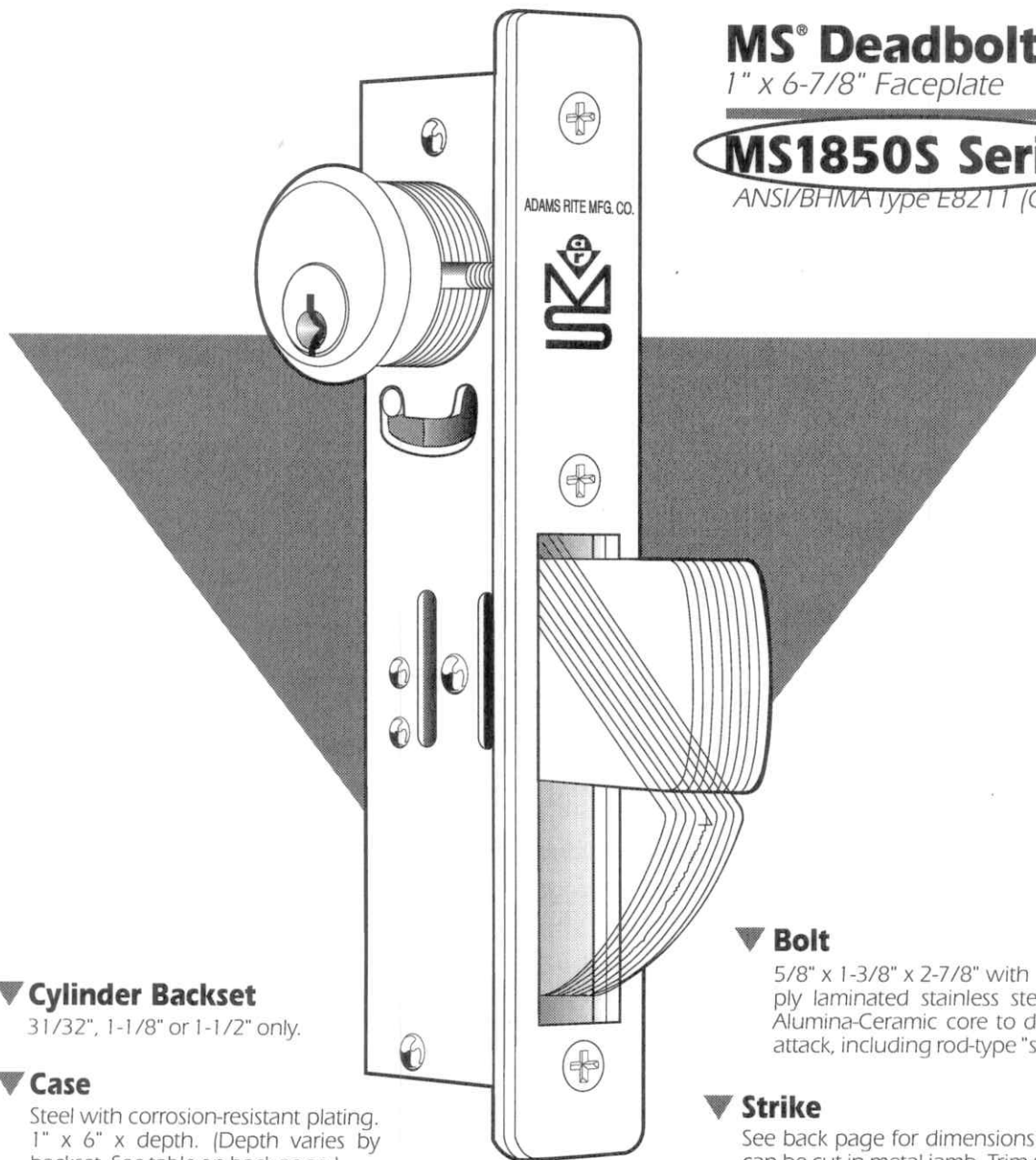
Actual Cable Length	12 Conductor and Molex both ends	12 Conductor and Molex one end, pinned one end	Typical Application
3"	QC-C003	QC-C003P	Between hinge and the end of an exit device.
6"	QC-C006	QC-C006P	
12"	QC-C012	QC-C012P	
26"	QC-C200	QC-C200P	Between hinge and through the door to the lockset or exit device trim.
32"	QC-C206	QC-C206P	
38"	QC-C300	QC-C300P	
44"	QC-C306	QC-C306P	
50"	QC-C400	QC-C400P	
15' 2"	QC-C1500	QC-C1500P	From the hinge location, up the jamb to above the ceiling, or up and around full lite or half lite metal door.

MS® Deadbolt

1" x 6-7/8" Faceplate

MS1850S Series

ANSI/BHMA type E8211 (Grade 1)



▼ Cylinder Backset

31/32", 1-1/8" or 1-1/2" only.

▼ Case

Steel with corrosion-resistant plating. 1" x 6" x depth. (Depth varies by backset. See table on back page.)

▼ Function

A huge bolt of laminated stainless steel, nearly three inches long, activated by an uncomplicated pivot mechanism, has made this basic MS[®] Deadlock the standard of the narrow stile door industry. The length of this bolt provides maximum security for a single leaf door, even a very tall and flexible one or an installation where the gap between door and jamb is greater than it should be.

▼ Bolt

5/8" x 1-3/8" x 2-7/8" with 1-3/8" throw. Eight ply laminated stainless steel. Center ply has Alumina-Ceramic core to defeat any hacksaw attack, including rod-type "super" hacksaws.

▼ Strike

See back page for dimensions of strike slot which can be cut in metal jamb. Trim plate, box strike and armored strike are also available. (See page SW-16.)

▼ Operation

360° turn of key or thumbturn throws or retracts the counterbalanced bolt. Key can be removed only when bolt is in a positively locked or unlocked position. Lock accepts any standard 1-5/32" diameter mortise cylinder or thumbturn from either or both sides. Cylinder must have MS[®] dimensioned cam. (See page SW-30.)



ADAMS RITE
MANUFACTURING CO.

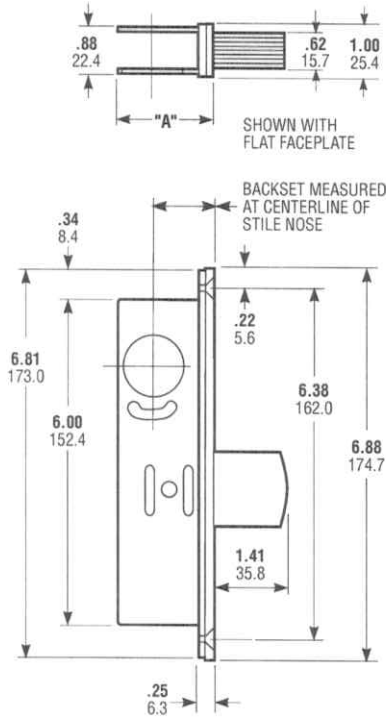
260 Santa Fe Street
Pomona, California 91767
(800) 872-3267 Fax: (800) 232-7329
www.adamsrite.com



MS 1850S Deadbolt

DIMENSIONS

INCHES
MILLIMETERS
Nominal, subject to tolerance extremes.

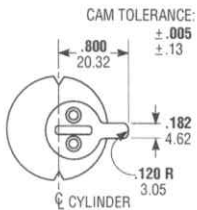


BACKSET	"A"
31/32"	1.63
24.6	41.4
1-1/8"	1.78
28.6	45.2
1-1/2"	2.25
38.1	57.1

ARMORED FACEPLATE 1" x 6-7/8"	
FLAT	MS1850S
RADIUS	MS1851S
RADIUS w/WEATHERSTRIP	MS1851SW
LH BEVEL	MS1852S-015
RH BEVEL	MS1852S-016

Cylinder Cam

MS1850S Series locks are operable by any standard 1-5/32" diameter mortise cylinder with special MS® cam dimensioned as shown. Cylinders with MS® cams can be readily obtained from most cylinder manufacturers. See page SW-30 for cylinder make and trim ring information.



HOW TO ORDER

Specify quantity and the following information.
Order related hardware separately.

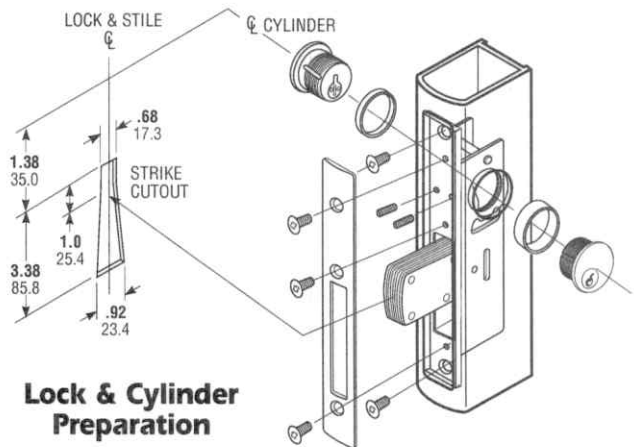
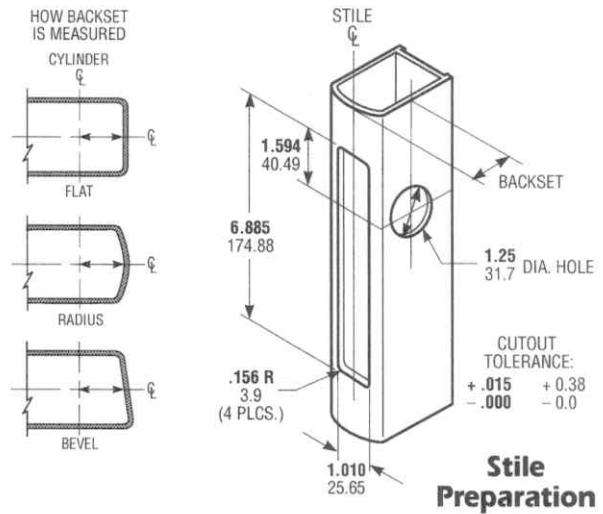
Faceplate Shape	Backset	Handing
1850S Flat	2 31/32"	15 LH or RHR
1851S Radius	3 1-1/8"	16 RH or LHR
1851SW Radius w/wstrip	4 1-1/2"	10 Non-Handed*
1852S Bevel		

MS 1850S - 215 - 628

Finish
628 Satin Aluminum
313 "Bronze" Anodized
335 Black Anodized

*Any flat or radius face, except Schoolhouse.

INSTALLATION



Lock & Cylinder Preparation

OPTIONS

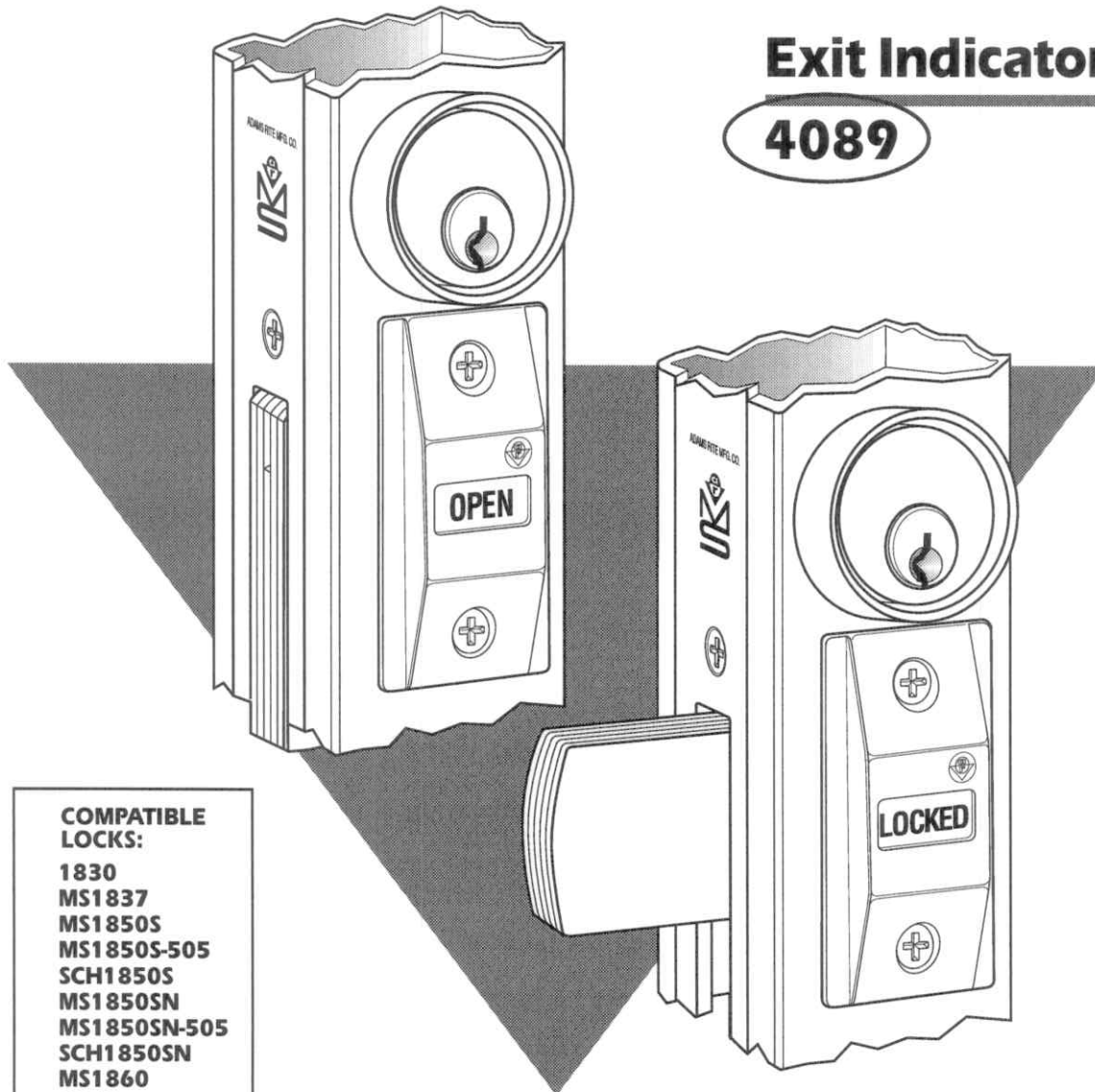
For jambs too narrow to accept the long bolt, the MS1850S-050 offers a shorter bolt with hook shape to provide equal security against door-prying attempts. (See catalog page SL-1.) 1850S-020 short throw without hook also available. Second and third point locking bolts are available for pairs of doors. (See pages SW-11 and SW-12.) All use any make standard mortise cylinder and thus can be keyed into systems with other types of doors. "SCHOOLHOUSE" version, also available, is modified so that operation from inside is "unlock only." This lock is handed and must be specified LH or RH. Specify Series SCH 1850S. Same faceplate and backset options as Series MS1850S. Operation from inside, with standard Adams Rite 4066 Turn seen on page SW-30. For wood or hollow metal, see MS1850SN.

STANDARD PACKAGE

Individually boxed with machine screws for mounting. Cylinders and/or thumbturn available at extra cost. Shipping weight: 1-1/2 lbs. Also available in a 25 unit pack for volume users.

Exit Indicator

4089



COMPATIBLE LOCKS:

1830
MS1837
MS1850S
MS1850S-505
SCH1850S
MS1850SN
MS1850SN-505
SCH1850SN
MS1860
1870
MS+1890

▼ Function

Provides unmistakable notification of an exit door's "locked" or "open" condition. Under many local building safety codes, this allows the use, in certain occupancies, of a security deadlock instead of less secure panic devices. It includes a permanent adhesive header sign: "THIS DOOR TO REMAIN UNLOCKED DURING BUSINESS HOURS." That wording is according to Uniform Building Code. Alternate sign available for NFPA and other local codes reads: "THIS DOOR TO REMAIN UNLOCKED WHEN THE BUILDING IS OCCUPIED."

▼ Message Panel

"OPEN" appears in black letters on white background when lock is retracted and "LOCKED" in red letters when actuated. Also available with red (locked) and green (unlocked) wordless panels.

▼ Material/Finish

Indicator escutcheon is zinc alloy with silver Ritecoat finish. See page SW-32 for other Ritecoat finishes. Special plated finishes also available. Header sign is clear aluminum match with black letters.



ADAMS RITE
MANUFACTURING CO.

260 Santa Fe Street
Pomona, California 91767
(800) 872-3267 Fax: (800) 232-7329
www.adamsrite.com

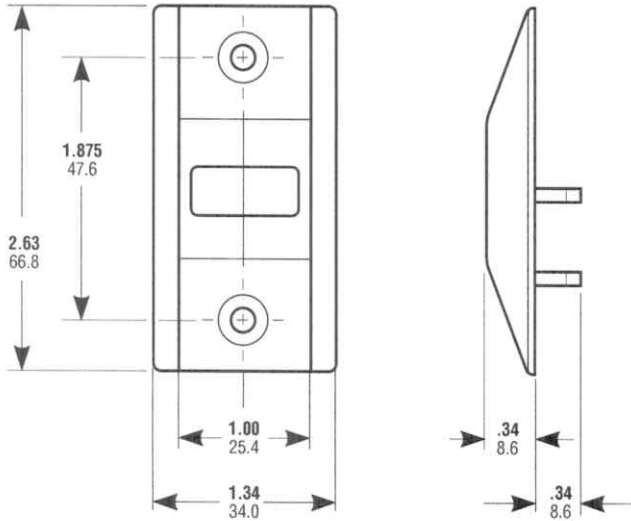


4089 Exit Indicator

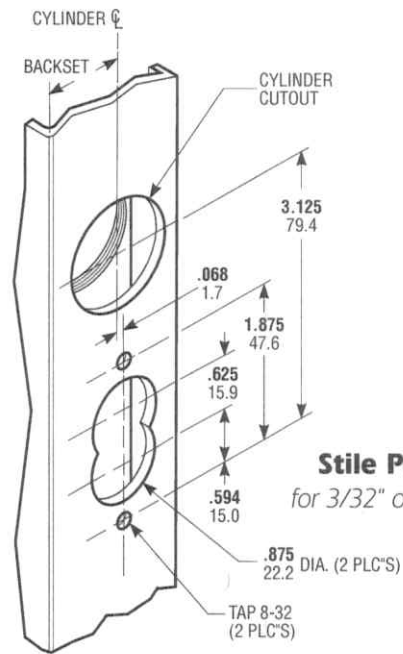
DIMENSIONS

INCHES
MILLIMETERS

Nominal, subject to tolerance extremes

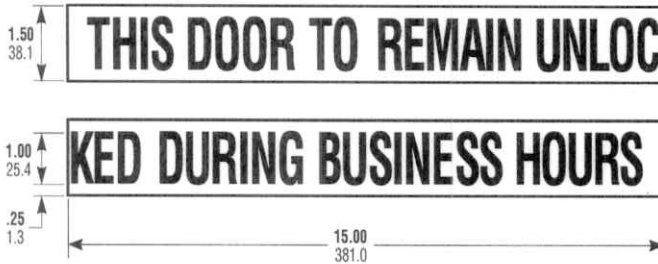


INSTALLATION

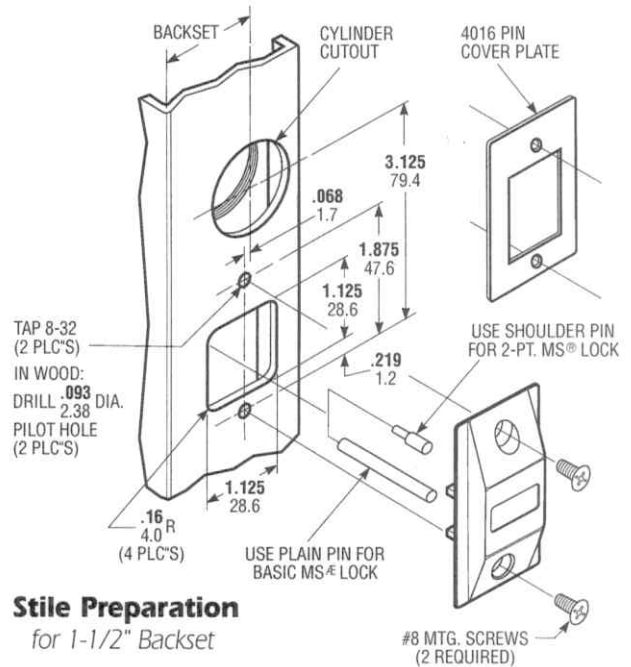


Stile Preparation
for 3/32" or 1-1/8" Backset

HEADER SIGN - IN TWO PIECES*



* This sign correct under Uniform Building Code.
 For NFPA wording "THIS DOOR TO REMAIN UNLOCKED WHEN THE BUILDING IS OCCUPIED" order sign 20-0256 separately.



Stile Preparation
for 1-1/2" Backset

HOW TO ORDER

Specify quantity and the following information.

Options	
-01	For Inverted Lock
-02	For Red/Green wordless panels
-20	For doors up to 2-1/2" (Standard unit fits 1-3/4" doors)
For use with 4016 3-Point. 31/32" - 1-1/8" Backset for standard stiles.	

4089-01 P

Specify Ritecoat color if other than standard.
 Order NFPA Sign separately. Specify 20-0256.

OPTIONS

Standard unit fits 1-3/4" doors. Specify for thicker doors up to 2-1/2". Specify wordless panels, inverted lock, other than standard Ritecoat finish or NFPA sign.

STANDARD PACKAGE

Shipping weight: 1/2 lb.

8500 Narrow Design Rim Exit Device

80 Series



8500 Series
Narrow Design Rim Exit Device

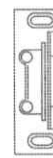
8500 Features

- Designed for narrow stile applications (e.g., aluminum frame full glass doors)
- Single and double doors with mullion
- Single point rim latching device
- Quiet operation and solid security
- Devices are ANSI A156.3 – 2008 Grade 1
- UL Fire and Panic listed

Specifications for 8500 Series Exit

Door Types	Wood or metal 1-3/4" (44mm) minimum thickness. For doors over 1-3/4" to 2-1/4" thick, specify thickness and order as 31- option. 1-3/4" (114mm) minimum stile
Rail sizes as determined by door width	Rails are available in 4 sizes, use door width to determine size needed. Rails will be factory cut to size, if door width is supplied <ul style="list-style-type: none"> • E Rail for 24" to 32" door widths • F Rail for 33" to 36" door widths • J Rail for 37" to 42" door widths • G Rail for 43" to 48" door widths
Strike	657 Strike, Supplied standard for Panic devices 649 Strike, Supplied standard for fired rated devices Optional Strikes – 649, 658 Standard with 650A Mullion
Dogging Feature	Hex key dogging standard on non fired rated devices; specify 16- for cylinder dogging (#41 cylinder supplied)
Electric Options	AL- Alarm BT- Beacon™ PL- SARGuide Photoluminescent Coated TL- SARGuide Illuminated Touchpad 53- LX Latchbolt Monitor 54- Outside Lever Monitoring 55- Request-to-Exit Signal - Rail Monitoring 56- ELR Remote Latch Retraction 57- Delay Egress & Electromagnets 58- Electric Dogging 59- Electroguard – Self Contained Delayed Egress
Mounting Fasteners	Supplied standard with wood and machine screws Available with through-bolts and mortise (sex) nuts
Latch Bolt	Stainless steel, 3/4" (19mm) throw
Device Centerline from Finished Floor	41" (1041 mm) for Standard Applications
Center Case Dimensions	8-5/16" (211mm) x 1-1/16" (27mm)
Projection	Pushbar Neutral – 3" (77mm) Pushbar Depressed – 2-1/8" (54mm)
Fire Exit Hardware	See Chart – Page 3

649 Standard Strike for 12-8500



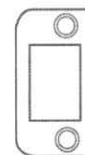
- Surface applied
- Black nylon coated

657 Standard Strike for 8500



- Surface applied or mortised
- For use on frames with blade stop or integral stop
- Black nylon coated

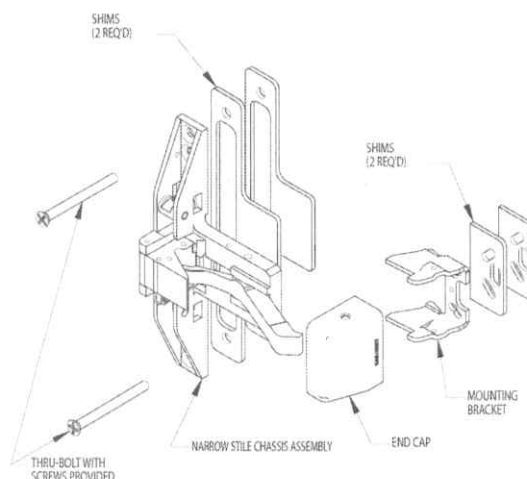
658 Strike alternative for 8500



- Packed standard with 650A mullion
- Can be ordered separately for surface application to frames
- Black nylon coated

668 Shim Kits for 8500

- Two Chassis Shims and Two End Cap Shims
- Shims are 1/8" for a total height of 1/4"



Copyright © 1988-2011, Sargent Manufacturing Company, an ASSA ABLOY Group Company. All rights reserved. Reproduction in whole or in part without the express written permission of Sargent Manufacturing Company is prohibited.

90641- F 09/15/11

8500 Narrow Design Rim Exit Device 80 Series

How to order: Options F1-83-56 Series 85 Function 13 Rail Lgth F Trim ETL Hand RHR Outside Finish 15 Inside Finish 32D Door Width 36"

700 Series ET Trim



Exits with ET Trim, specify lever design after the ET designation (e.g., ETL)

Lever Designs for ET Controls

A, B, E, F, J, L, P, W

Also available with Coastal Series & Studio Collection Levers

ET Designation with Suffix (Used to order ET without device)

8500 Series: 704, 706-8, 710, 713-8, 715-8, 740, 743-8, 744, 746-8, 773-8 & 774-8

Freewheeling Trim

The lever rotates when the door is locked preventing excessive force from being applied to the horizontal lever

Electrified ET Trim

Voltage must be specified for the following functions: 73 and 74. Specify: 12VDC or 24VDC

SARGENT Function Numbers	ANSI Function Numbers	Description & Cylinder Info. (1-3/4" Door)	ANSI Type 4 AD8500 Panic
04	03	Night Latch Key Retracts Latch #34 Cylinder Supplied	AD8504 x ET_
06	09	Key unlocks Trim, Trim retracts latch/ Trim relocks when key is removed #41 Cylinder Supplied	AD8506 x ET_
10	01	No outside operation (No Cylinder)	AD8510
10	02	No outside operation (No Cylinder) ET Control is used as Pull Only	AD8510 x ET_
13	08	Key Outside Unlocks/locks Trim #41 Cylinder Supplied	AD8513 x ET_
15	14	Passage Only (No cylinder)	AD8515 x ET_
40	02	Freewheeling Trim - No outside operation (No Cylinder) Dummy Trim	AD8540 x ET_
43	08	Freewheeling Trim - Key Outside Unlocks/locks Trim #41 Cylinder Supplied	AD8543 x ET_
44	03	Freewheeling Trim - Key Retracts Latch #34 Cylinder Supplied	AD8544 x ET_
46	09	Freewheeling Trim - Key unlocks Trim, Trim retracts latch/ Trim relocks when key is removed #41 Cylinder Supplied	AD8546 x ET_
73		Electrified ET Trim - Fail Safe Power Off, Unlocks Lever (No Cylinder)***	AD8573 x ET_
74		Electrified ET Trim - Fail Secure Power Off, Locks Lever (No Cylinder)***	AD8574 x ET_

Note: Exit devices are available in all standard finishes, except 14, 15, 26 & 26D. With these finishes, exit devices are supplied in 32 or 32D to match accordingly. 26 or 26D is automatically supplied when 32 or 32D is specified. For nickel finishes, specify 14/32 or 15/32D to receive nickel finished trims and stainless exit devices.
*** Cylinder override is not available with 8500 Series Devices

Options

8500

Mechanical Options:

16
19-
31-
36-
37-
43-
53-
54-
55-
56-
56-HK-
57-
58-
59-
BC-59-
76-
85-
86-
87-
AL-
BT-
CPC-
GL-
LD-
PL-
SG-
TL-

Cylinder Options:

10-
10-21-
10UL-
10-63-
11-
11-21-
11-60-
11-63-
11-64-
11-70-7P-
11-72-7P-
11-73-7P-
11-65-73-7P-
21-
22-
51-
52-
60-
63-
64-
70-
72-
73-
65-73-
65-73-7P-
73-7P-
81-
82-
F1-82
83-
F1-83-
84-
BR-
1C-
5C-
SE

Pull Trim Section	SARGENT Function Numbers	ANSI Function Numbers	Trim designations Description & Cylinder Info. (1-3/4" Door)	Series AD8500 Panic
862 Pull	04	03	Night Latch Key Retracts Latch #34 Cylinder Supplied	AD8504 x 862 Pull only
	10	02	862 Pull Only (Optional Pulls: 863 & 864)	AD8510 x 862 Pull only

Available Finishes

SARGENT Finishes	ANSI Finishes
03	605
04	606
09	611
10	612
10B	613
10BL	614
14	618
15	619
20D	624
26	625
26D	626
32	629
32D	630

Alarm (AL-) Option Request-to-Exit (55-) Option 80 Series



AL- Alarm Option

SARGENT's AL-80 Series Exit Devices are designed for areas requiring a stand-alone alarm on outward swinging doors. This device has an integrated alarm in the push rail to discourage the unauthorized use of emergency exit doors. The alarm inside the rail sounds immediately upon exit. The AL-80 Series is ideal for rear exterior doors, doors leading to a rooftop, or anywhere security is a concern.



Features

- Microprocessor based alarm board
- When armed, alarm sounds immediately upon rail depression
- All exit devices have tamper resistant latching (Guarded Latch)
- Battery powered – 9VDC
- 103 Db @ 8 ft pulsating horn
- Flashing red LED provides visible violation indication, reset by key only
- Low battery alert
- Field selectable continuous alarm option-3267 Power Supply and 546 Harness recommended
- Automatic re-arming option
- Supplied with a #41 (1-1/8") with standard off set cam
- UL Listed and cUL Listed
- UL Listed to Canadian Safety Standards
- Rail Monitoring & Guarded Latch are standard internal features
- Available with all 80 Devices, except LP, LR, LS8600, FM8700, WS & HC8800 Devices
- Minimum Door Widths:
 - Wide Stile Door 36"
 - Narrow Stile Door 32"
- See page 52 for compatible options
- See MCKINNEY's Transfer Device Solutions Catalog for QC Hinge and cable requirements (if hard wired)
- Order as an AL- option (e.g., AL-8916F x ETJ) x 32D x 36" Door)

545 Alarm Retrofit Kits

Alarm retrofit kits available for the following 80 Series devices - 8300, MD8600, WD8600, GL-8800, and 8900 only. (GL-8800: Rim device with guarded latch)

Kit #	Device Style	Pivot to Pivot	Rail Size
545-1	Wide	11-1/4"	F
545-2	Narrow	11-1/4"	F
		8-1/2"	E
545-3	Wide	20-1/2"	G
545-4	Narrow	20-1/2"	G
545-6	Narrow	14"	J
545-7	Wide	14"	J

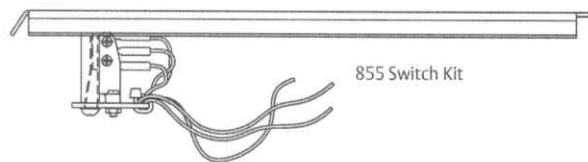
546 Wiring Harness

Harness allows for remote control of the alarmed exit device

- Remote Alarm Reset – reset from remote location
- External Inhibit – shunts alarm from remote location
- Remote Power – allows unit to be wired to a 9VDC power supply (3267)
- Remote Monitor – allows unit to be wired to remote console
- Order as:
 - 546 - Wiring Harness (For AL- option) - Mfg. prior to 7/1/04
 - 546-F - Wiring Harness for F-Size Rails - Mfg. after 7/1/04
 - 546-G - Wiring Harness for G-Size Rails - Mfg. after 7/1/04
 - 546-J - Wiring Harness for J-Size Rails - Mfg. after 7/1/04

55- Request-to-Exit Option

SARGENT Request-to-Exit Signal Switch Exit Devices provides push rail monitoring for a variety of applications; such as to sound an alarm, initialize a delayed egress system, or de-energize an electromagnetic lock.



855 Switch Kit

- Switch type SPDT form "C" contacts
- 30 VDC @ 2 Amp. maximum rating
- All wires run through rail
- Available with all 80 & P800 Devices, except for FM8700
- See page 52 for compatible options
- Available for all door widths
- See MCKINNEY's Transfer Device Solutions Catalog for QC Hinge and cable requirements
- Order as a 55- option (e.g., 55-8913F x ETMA x 32D x 36")

Note: If rail size is not standard, the 855 insert will have to be cut during installation

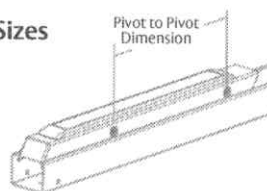
Device Style



Narrow Style

Wide Style

Rail Sizes



Rail Size is determined by the Pivot to Pivot Dimensions

Pivot to Pivot Dimension

8-1/2" = "E" Rail
11-1/4" = "F" Rail
14" = "J" Rail
20-1/2" = "G" Rail

855 Kit #	Device Style	Rail Size Pivot to Pivot	Rail Size
855-1	Wide	11-1/4"	F
		11-1/4"	F
855-2	Narrow	8-1/2"	E
		8-1/2"	E
855-3	Wide	20-1/2"	G
		*8895	8-1/2"
855-4	Narrow	20-1/2"	G
		*8895	11-1/4"
855-5	Wide	8-1/2"	E
855-6	Narrow	14"	J
855-7	Wide	14"	J
855-8	*8895	14"	J
		20-1/2"	G

*8895 is an active dummy rail (See page 66)

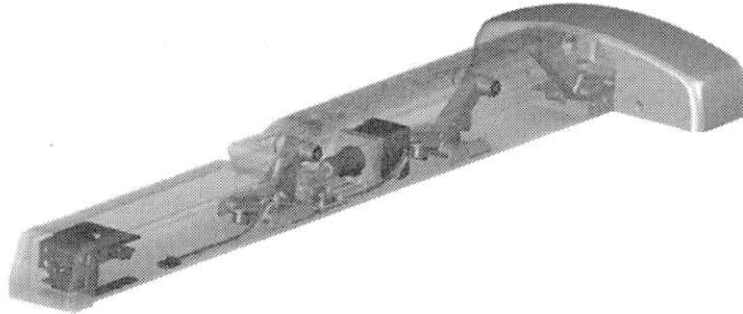
Note: The 855 Kits can not be used with a pre-existing 56-(ELR) Rail.

Electric Latch Retraction Option (56-)

80 Series

SARGENT's Electric Latch Retraction (ELR) exit device is the perfect choice for high traffic egress doors that require access control. This non-handed exit device rail is durable and easy to install. It utilizes a latch retraction motor rather than a solenoid, ensuring quiet operation ideal for locations such as conference rooms, theaters and libraries. Once retracted, the door functions in a push/pull manner.

The 56- exit device can be dogged for momentary ingress and egress and is commonly used in conjunction with an automatic door operator. The device can be dogged continuously on fire-rated devices that are tied into the building's fire detection system.



56- Electric Latch Retraction Features

- 5 year warranty
- U.S. Patent No. 7,484,777; Additional patent(s) pending
- Field serviceable - modular design
- Motor driven latch retraction for smooth, precise operation
- Amount of rail retraction is automatically controlled by the 56- circuitry; System actively monitors its position and adjusts itself
- Digital retraction timer (0-20 seconds; factory setting is 5 seconds)
- Non-contact Request-to-Exit (55-) switch available
- Retrofit kits available - see next page
- Standard electric hinge - no special power transfer required
- Can be used for continuous and intermittent use
- UL Listed for Class II Circuitry
- Power Requirements: 24VDC regulated/filtered power supply (3500 Series)
- Current draw: 600mA during retraction & 250mA maintained in dogged position
- Available for all 80 Series exit devices (except FM8700)
- See page 52 for compatible options
- Minimum Door Widths:
 - Wide Stile Door 28"
 - Narrow Stile Door 28"
- See MCKINNEY's Transfer Device Solutions Catalog for QC Hinge and cable requirements
- Order as a 56- option (e.g., 56-HK-8913F x ETMF x 32D x 36")

Note: HK- and 16- are not available for Fire Rated Doors

Note: The 56- Option is not supplied with Manual Dogging (Hex Key or Cylinder Dogging) unless specified

Optional Accessories

- 3500 Series Power Supply
- 4370 Keyswitch
- 4291/4292 Keypad
- 3287 Door Status Switch
- 881 Monitor Strike
- 4341 Push Button Switch (momentary)



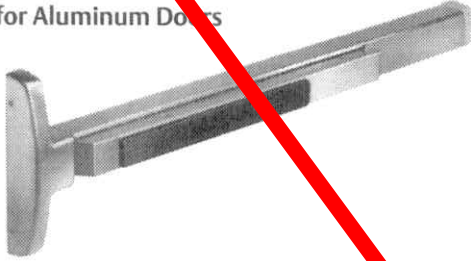
AD8400 & NB-AD8400 Concealed Vertical Rod Exit Device for Aluminum Doors 80 Series

Verify use of 8400 or 8500 series per PR 35:
If PR is accepted, only 8500 series will be used.
If PR is not accepted, 8400 series is acceptable as specified.
(PR 35 issued to change double storefront doors to have removable mullion and rim exits in lieu of concealed vertical rods).



AD8400 Series

Concealed Vertical Rod Exit Device
for Aluminum Doors

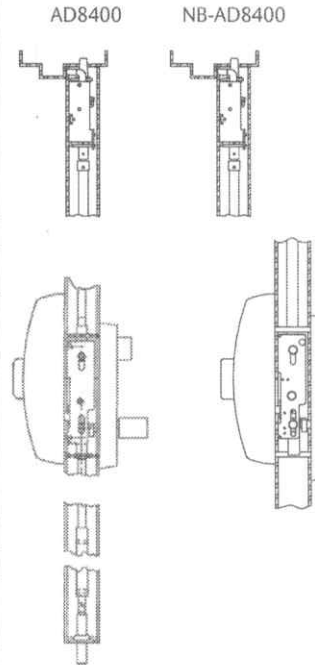


AD8400 & NB-AD8400 Features

- Designed for narrow stile aluminum door applications (e.g., full glass doors)
- Concealed rods for security and aesthetics
- UL Panic listed only
- Specify NB- for less bottom rod
- NB- device allows free access for wheelchairs and carts. No bottom strike eliminates tripping potential
- All functions determined by outside trim
- Devices are ANSI A156.3 – 2008– Grade 1

Specifications for AD8400 & NB-AD8400 Exit

Door Types	Hollow or extruded aluminum doors. For doors over 1-3/4" to 2-1/4" thick, specify thickness and order as 31- option 1-3/4" (44mm) minimum stile width required. Stile must be hollow with inside dimension of at least 1-3/8" (35mm) square
Rail sizes as determined by door width	Rails are available in 4 sizes, use door width to determine size needed. Rails will be factory cut to size if door width is supplied <ul style="list-style-type: none"> • E Rail for 24" to 32" door widths • F Rail for 33" to 36" door widths • J Rail for 37" to 42" door widths • G Rail for 43" to 48" door widths
Strike	640 Strike for Top & Bottom
Dogging Feature	Hex key dogging standard on non fired rated devices; specify 16- for cylinder dogging (#41 cylinder supplied)
Electric Options	AL- Alarm BT- Beacon™ PL- SARGuide Photoluminescent Coated TL- SARGuide Illuminated Touchpad 53- LX Latchbolt Monitor 54- Outside Lever Monitoring 55- Request-to-Exit Signal - Rail Monitoring 56- ELR Remote Latch Retraction 57- Delay Egress & Electromagnets 58- Electric Dogging 59- Electroguard – Self Contained Delayed Egress (NB- Excluded)
Mounting Fasteners	Supplied standard with machine screws
Top Bolt	Stainless steel
Device Centerline from Finished Floor	41" (1041mm) for Standard Applications 38" (965mm) for elementary schools and to meet local accessibility standards when a 100 Series Auxiliary Control is used
Door/Opening Height	Must be specified - 100" (3048mm) Max Door Opening
Center Case Dimensions	8-3/8" (213mm) x 2-5/8" (67mm)
Projection	Pushbar Neutral – 3" (76mm) Pushbar Depressed – 2-1/8" (54mm)
Fire Exit Hardware	Not Available



Note: AD8400 can be used as NB- Device by simply not installing the bottom rod/bolt.

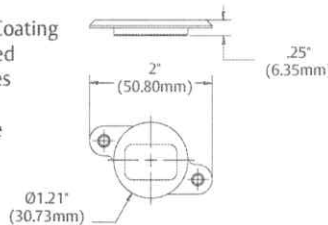
100 Series Aux Control

- Available as an 06 or 13 function
- Supplied with a SARGENT #41 Mortise Cylinder
- Can be used with any SARGENT Mortise Key System



639/640 Strike Kits

- Steel with Black Nylon Coating
- Machine Screws Supplied
- 640 Kit contains 2 strikes (Top & Bottom)
- 639 Kit contains 1 strike (Top Only)



Copyright © 1998-2011, Sargent Manufacturing Company, an ASSA ABLOY Group company. All rights reserved. Reproduction in whole or in part without the express written permission of Sargent Manufacturing Company is prohibited.

90641 - F 09/15/11

AD8400 & NB-AD8400

Functions & Trims

for Aluminum Doors

80 Series



How to order: Options Series Function Rail Lgth Trim Hand Outside Finish Inside Finish Door Width Door Height AFF

700 Series ET Trim



Exits with ET Trim, specify lever design after the ET designation (e.g., ETL)

Lever Designs for ET Controls

A, B, E, F, J, L, P, W
Also available with Coastal Series & Studio Collection Levers

ET Designation with Suffix (Used to order ET without device)

8400 & NB-8400 Series: 706-4, 710-4, 713-4, 715-4, 740-4, 743-4, 746-4, 773-4, & 774-4

Freewheeling Trim

The lever rotates when the door is locked preventing excessive force from being applied to the horizontal lever

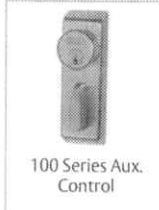
Electrified ET Trim

Voltage must be specified for the following functions: 73 and 74.
Specify: 12VDC or 24VDC

SARGENT Function Numbers	ANSI Function Numbers	Description & Cylinder Info (1-3/4" Door)	ANSI Type 6 AD8400 Panic
06	09	Key unlocks Trim, Trim retracts latch/Trim relocks when key is removed #41 Cylinder Supplied	AD8406 x ET_
10	01	No outside operation (No Cylinder)**	AD8410
10	02	No outside operation (No Cylinder)** ET Control is used as Pull Only	AD8410 x ET_
13	08	Key Outside Unlocks/locks Trim #41 Cylinder Supplied	AD8413 x ET_
15	14	Passage Only (No cylinder)	AD8415 x ET_
40	02	Freewheeling Trim - No outside operation (No Cylinder)** Dummy Trim	AD8440 x ET_
43	08	Freewheeling Trim - Key Outside Unlocks/locks Trim #41 Cylinder Supplied	AD8443 x ET_
46	09	Freewheeling Trim - Key unlocks Trim, Trim retracts latch/Trim relocks when key is removed #41 Cylinder Supplied	AD8446 x ET_
73		Electrified ET Trim - Fail Safe Power Off, Unlocks Lever (No Cylinder)** Specify: 12VDC or 24VDC	AD8473 x ET_
74		Electrified ET Trim - Fail Secure Power Off, Locks Lever (No Cylinder)** Specify: 12VDC or 24VDC	AD8474 x ET_

Note: Exit devices are available in all standard finishes, except 14, 15, 26 & 26D. With these finishes, exit devices are supplied in 32 or 32D to match accordingly. 26 or 26D is automatically supplied when 32 or 32D is specified. For nickel finishes, specify 14/32 or 15/32D to receive nickel finished trims and stainless exit devices.
Note: AFF means Above Finished Floor, center line of rail Above Finished Floor
** Cylinder Override is available with a 106 Aux Control
Example Order: AD8473F 12V x ETMG x 106 x RHR x 32D x 36" w x 84" h

100 Series Auxiliary Control++ & 862 Pull



100 Series Aux. Control



862 Pull

SARGENT Function Numbers	ANSI Function Numbers	Description & Cylinder Info	AD8400 Panic
06	12	Key unlocks Turn, Turn retracts latch/ Turn relocks when key is removed #41 Cylinder Supplied	AD8410 x 106
10	02	862 Pull Only (Optional Pulls: 863 & 864)	AD8410 x 862 Pull
13	11	Key Outside Unlocks/locks Turn #41 Cylinder Supplied	AD8410 x 113

Note: When ordering 8400 Series Exit Device x 100 Series Aux. Control, specify 10 Function for the exit.
Example: AD8410F x 106 x RHR x 32D x 42" x 90"

++ **Note:** Exit Devices must be mounted 38" AFF when used with a 100 Series Auxiliary Controls to meet ICC/ANSI A117.1-2003 Accessible & Usable Buildings and Facilities Code

Options

AD8400
Mechanical Options:
16-
19-
31-
36-
37-
43-
53-
54-
55-
56-
56-HK-
57-
58-
59-
BC-59-
76-
85-
86-
87-
AL
BT
CPC-
LD-
NI-
PL
SG-
TL
Cylinder Options:
10-
10-21-
10UL-
10-63-
11-
11-21-
11-60-
11-63-
11-64-
11-70-7P-
11-72-7P-
11-73-7P-
11-65-73-7P-
21-
22-
51-
52-
60-
63-
64-
70-
72-
73-
65-73-
65-73-7P-
73-7P-
81-
82-
F1-82-
83-
F1-83-
84-
85-
LC-
SC
SE-

Available Finishes

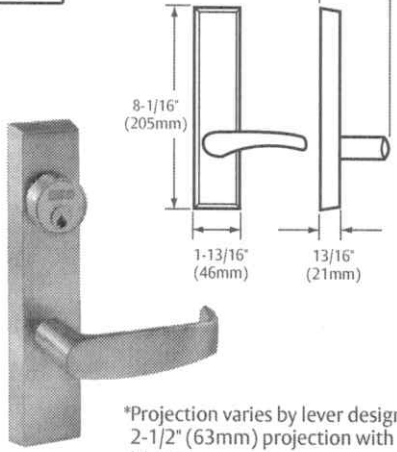
SARGENT Finishes	ANSI Finishes
03	605
04	606
09	611
10	612
10B	613
10BL	614
14	618
15	619
20D	624
26	625
26D	626
32	629
32D	630

ET Trim, Levers and Pulls

80 Series

SARGENT
ASSA ABLOY

ET Lever Controls

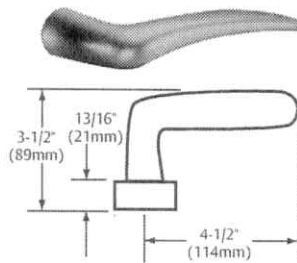


*Projection varies by lever design.
2-1/2" (63mm) projection with L Lever

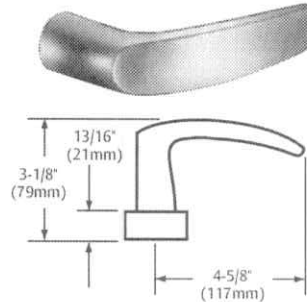
Note: ET suffixes required when ordering ET trim without an exit device, see page 71 for complete details

A Lever

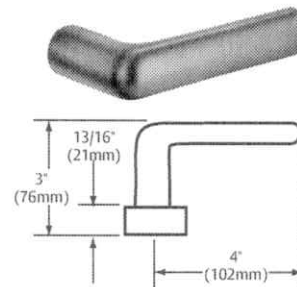
• Handed



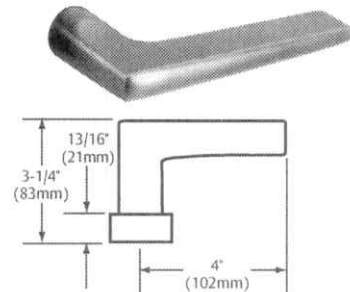
B Lever



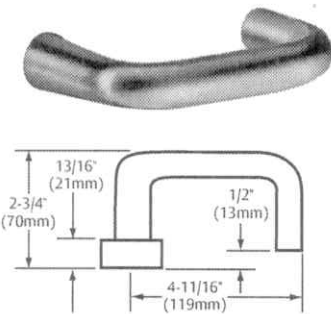
E Lever



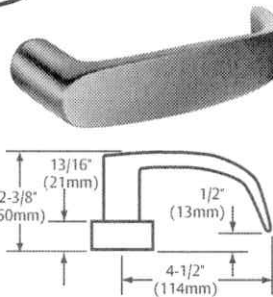
F Lever



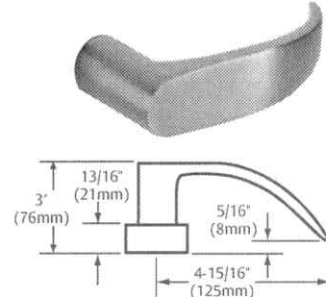
J Lever*



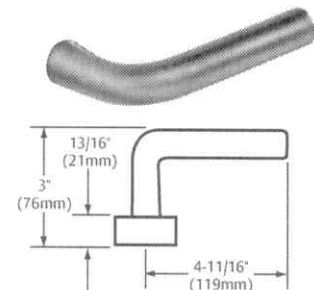
L Lever*



P Lever*

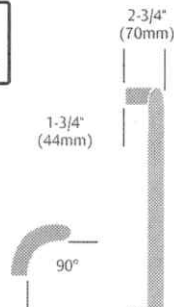


W Lever

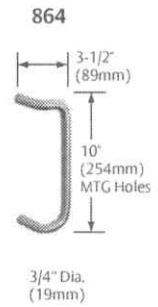
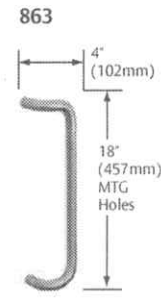
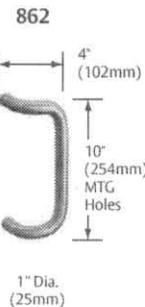


* Lever returns within 1/2" (13mm) of door face

Pulls



SIDE PROFILE



Copyright © 1998-2011, Sargent Manufacturing Company, an ASSA ABLOY Group company. All rights reserved. Reproduction in whole or in part without the express written permission of Sargent Manufacturing Company is prohibited.

90641: F 09/15/11

Hybrid Mortise Cylinder



Description	PartNumber	Medeco	BiLevel	KeyMark	eCylinder
Hybrid 125 kHz RFID Prox 1 1/2" Mortise cylinder/ reader/controller. Use 6 pin Hybrid key.	10*15002

Logic Mortise Cylinder



Description	PartNumber	Medeco	BiLevel	KeyMark	eCylinder
1 1/4" Logic Mortise Cylinder, brass plug	10C0500
1 1/4" Logic Mortise Cylinder, hardened steel plug face	10C0500D
M3 Logic 1 1/8" mortise cylinder	10S0200

Standard Mortise Cylinders



Description	PartNumber	Medeco	BiLevel	KeyMark	eCylinder
5 Pin 1" Mortise Cylinder	10*0100
5 Pin 1" Mortise Cylinder with 120° notch along top of shell for (alternate retaining location)	10*0101
1 1/8" Mortise Cylinder 6 Pin or M3 Logic	10*0200
6 Pin 1 1/4" Mortise Cylinder	10*0500
6 Pin 1 3/8" Mortise Cylinder	10*5100
6 Pin 1 1/2" Mortise Cylinder	10*5200
6 Pin 1 5/8" Mortise Cylinder	10*5300
6 Pin 1 3/4" Mortise Cylinder	10*5400
6 Pin 2" Mortise Cylinder	10*5500
6 Pin 2 1/4" Mortise Cylinder	10*5600
6 Pin 2 1/2" Mortise Cylinder	10*5700
6 Pin 4 1/8" Mortise Cylinder	10*5800
6 Pin 3 1/4" Mortise Cylinder	10*5900
6 Pin 5" Mortise Cylinder	10*5901
6 Pin 8" Mortise Cylinder	10*5902

**Contact the factory to confirm cylinder availability if not listed in eCylinder
 The * in the part number is replaced with: T=Medeco3, S=M3Logic, J=BiLevel, W=Biaxial, V=Biaxial Logic, K=KeyMark Classic, N=KeyMark x4, L=Logic, *-Original, Z=Original KW Logic
 ***See key section for surcharges for custom coined cut keys or special stamping requirements

Hybrid Rim Cylinder

Description	PartNumber	Medeco	BiLevel	KeyMark	eCylinder
Hybrid 125 kHz RFID Prox 1 1/2" Rim cylinder/ reader/controller. Use 6 pin Hybrid key.	10*15004	•			•

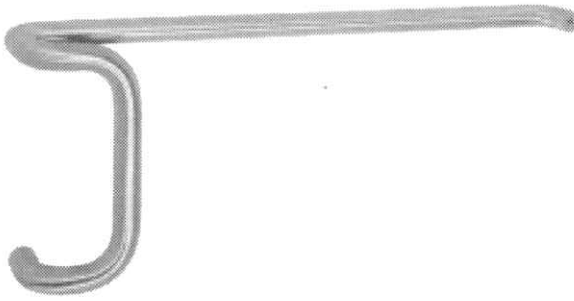
Logic Rim Cylinders

Description	PartNumber	Medeco	BiLevel	KeyMark	eCylinder
1 1/2" Logic Rim Cylinder, brass plug- Horizontal Tailpiece	10C0400H				•
1 1/2" Logic Rim Cylinder, hardened steel plug face- Horizontal Tailpiece	10C0400HD				•
1 1/4" Rim Cylinder M3Logic	10S0400H				•
1 1/2" Logic Rim Cylinder, brass plug- Vertical Tailpiece	10C0400V				•
1 1/2" Logic Rim Cylinder, hardened steel plug face - Vertical Tailpiece	10C0400VD				•
1 1/4" Rim Cylinder, M3 Logic	10S0400V				•

Rim Cylinders

Description	PartNumber	Medeco	BiLevel	KeyMark	eCylinder
5 Pin 1 1/4" Rim Cylinder- Horizontal Tailpiece	10*0300H	•	•	•	
5 Pin 1 1/4" Rim Cylinder- Vertical Tailpiece	10*0300V	•	•	•	
5 Pin 1 1/4" Rim Cylinder, Sargent ® Mounting Style, Horizontal Tailpiece with Screw-on Cap	10*0305H	•	•	•	
1 1/2" Rim Cylinder, 6 Pin, Logic, or M3 Logic- Horizontal Tailpiece	10*0400H	•	•	•	•
1 1/2" Rim Cylinder, 6 Pin, Logic, or M3 Logic- Vertical Tailpiece	10*0400V	•	•	•	•
6 Pin 1 1/2" Rim Cylinder- Sargent ® Mounting Style, Horizontal Tailpiece	10*0403H	•	•	•	•
6 Pin 1 1/2" Rim Cylinder- Sargent ® Mounting Style, Vertical Tailpiece	10*0403V	•	•	•	•
5 Pin 1 1/8" Rim Cylinder, 180 Degree Lazy Motion	10*0600	•	•		
6 Pin 1 1/4" Rim Cylinder, 180 Degree Lazy Motion	10*0700	•	•	•	•
5 Pin Segal ® Inside Cylinder after 10/99 for double cylinder dropbolt	10*0800	•		•	
5 Pin Segal ® Inside Cylinder after 10/99	10*0805	•			
6 Pin Jumbo Rim Cylinder Corbin Russwin® Master Ring Cylinder Replacement	10*1355	•			
6 Pin 1 15/32" Rim Cylinder with Extended Plug and Horizontal Tailpiece	10*4407HA	•			

**Contact the factory to confirm cylinder availability if not listed in eCylinder
The * in the part number is replaced with: T=Medeco3, S=M3Logic, J=BiLevel, W=Biaxial, V=Biaxial Logic, K=KeyMark Classic, N=KeyMark x4, C=
Logic, "-=Original, Z=Original KW Logic
***See key section for surcharges for custom coined cut keys or special stamping requirements



Series 47 Offset Single Bar Sets

Material: Aluminum, Brass, Bronze, or Stainless Steel

Finishes: Available in standard architectural finishes, US32DB10, US32D316, US32316, white (WPC), red (RPC), and black (BPC) powder coat finishes (see page 7).
 *US3LIFETIME available on select product below.

Mounting: Door	Mounting			Description	Mounting Spec. No.
	Pull Free End	Push Free End	Common End		
Metal & Wood	1	1	5	Back to Back & Thru Bolt	T3**
Metal	17	6	16	Back to Back & Concealed	T4
Wood	8	8	5	Back to Back & Concealed	T5
Metal & Wood	12	12	5	Back to Back & Decorative Bolt	T1
Glass	15	15	13	Back to Back & Thru Bolt	T2

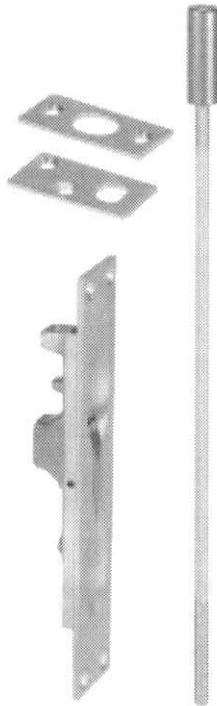
** T3 is the standard mounting method for Metal and Wood Doors.
NOTE: See page A10 for detailed mounting drawings.

Ordering: Specify product number, mounting, door type, push bar CTC, and finish (i.e., BF15747 T3, wood door, 33" CTC, US32D316).

Other: See page A1 on "How To" size push bars.

- Options:**
- Engraving "PUSH" or "PULL" (specify handing).
 - Base plates available similar to those shown on page A12 — use BP prefix (BPBF15747) when ordering.
 - Heavy duty versions of most fastening types available — use suffix HD to fastening type number (BF15647 T3HD).

No.	Material Size	Pull			Push		Weight	ANSI 156.6
		CTC	Projection	Clearance	Projection	Clearance		
BF15647	1" dia.	8"	3½"	2½"	2½"	1½"	12.4 lbs.	J504
BF157A47	1" dia.	9"	3½"	2½"	2½"	1½"	12.6 lbs.	J504
BF15747*	1" dia.	10"	3½"	2½"	2½"	1½"	12.8 lbs.	J504
BF15847	1" dia.	12"	3½"	2½"	2½"	1½"	13.3 lbs.	J504
BF15947	1" dia.	18"	3½"	2½"	2½"	1½"	15.0 lbs.	J504

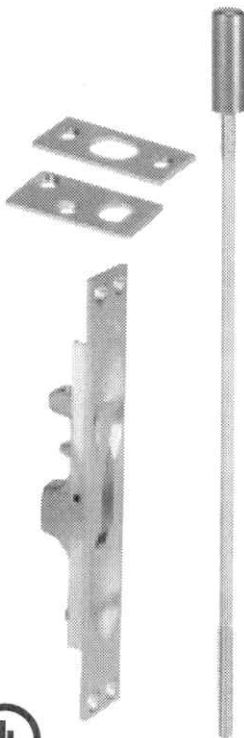


**Lever Extension Flush Bolt
No. 550**

- Material:** Brass
- Finishes:** Available in standard architectural finishes (see page 7).
- Fastener:** 8 ea. #8 x 3/4 FH Combo Screws
- Features:**
- 3/4" bolt throw, 3/4" rod backset.
 - 12" rod length (center of face to bolt end - retracted).
 - 1 1/2" adjustable bolt head.
- Options:**
- Other size rods available are 18", 24", 36", 48".
 - Use #570 Dust Proof Strike (shown on page E3) to prevent dirt blocking bottom strike.

No.	Size	Weight	ANSI A156.16
550	Face Plate: 1 1/4" x 6 3/4" Strike: 15/16" x 2 1/4" Guide: 1" x 2"	1.7 lbs./2	L04251

Verify use. Door 2001 is only a single door.



**Lever Extension Flush Bolt (listed for Fire Rated Hollow Metal Doors)
No. 555**

- Material:** Brass
- Finishes:** Available in standard architectural finishes (see page 7).
- Fastener:** 8 ea. #8 x 3/4 FH Combo Screws
- Features:**
- Fits ANSI A115 door and frame preparation.
 - 3/4" bolt throw, 3/4" rod backset.
 - 12" rod length (center of face to bolt end - retracted).
 - 1 1/2" adjustable bolt head.
- Options:**
- Other size rods available are 18", 24", 36", 48".
 - Extra long bolt head - 2 1/2" (or to your specification).
 - Use #570 Dust Proof Strike (shown on page E3) to prevent dirt blocking bottom strike.

No.	Size	Weight	ANSI A156.16
555	Face Plate: 1" x 6 3/4" Strike: 15/16" x 2 1/4" Guide: 1" x 2"	1.5 lbs./2	L04251



351 Series Powerglide® Door Closers Power Glide Features



SARGENT

1-800-727-5477

www.sargentlock.com

Features

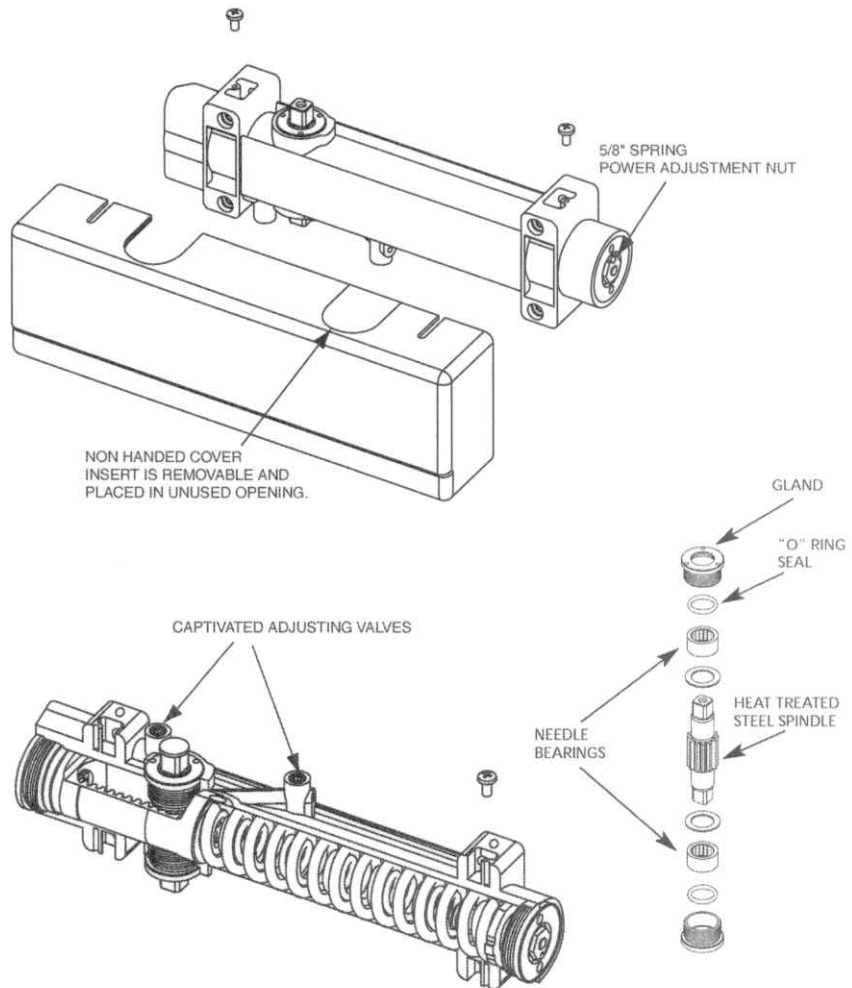
- ANSI/BHMA A156.4 Grade 1
- Conforms to standards UL 10C and UBC 7-2 (1997). Positive Pressure Fire Tests of door assemblies
- UL Listed and cUL Listed to Canadian Safety Standards listed for use on fire doors
- 10-year warranty
- Versatile mounting applications permit standard, top jamb, parallel and track installations
- Adjustable spring power allows 351 closers a size range of 1 through 6. They are adjusted to size 3 before leaving the factory
- One door closer body for all applications, non-handed
- ADA requirements are met with the 351 in all applications except Push Side Track application
- High impact non-corrosive plastic covers standard, metal optional. Both secured with two machine screws
- All weather capabilities
- Captivated brass valves

Heavy Duty Construction

- Heat treated full closed rack and pinion provide control from the full open position
- Heavy duty one piece die cast aluminum silicon alloy body with 14% silicon provides superior strength and wear resistance

Separate Brass Low Sensitivity Adjusting Valves

- Brass body low sensitivity control valves offer separate regulating for door speed, latching, backcheck and optional delayed action
- All valves are controlled by a 1/8" Allen wrench to discourage tampering and are captivated to prevent removing valves from the body and damaging door closer
- Adjustable backcheck, standard, protects the door and hardware from damage during the opening cycle
- Adjustable delayed action, optional, permits easy access for physically impaired individuals.



Full Compliment of Arm Types

- Interchangeable forged steel arms
- Standard and parallel arms
- Push and pull track arms (including double egress)
- Heavy duty forged steel arms are finely finished and interchangeable between SARGENT 351, 1430 and 281 Series and previously discontinued 250, 350 and 1250 Series

351 Series comply with ADA for reduced open forces of 5 lbs. for interior and 8 lbs. for exterior doors. See page 14 for details.

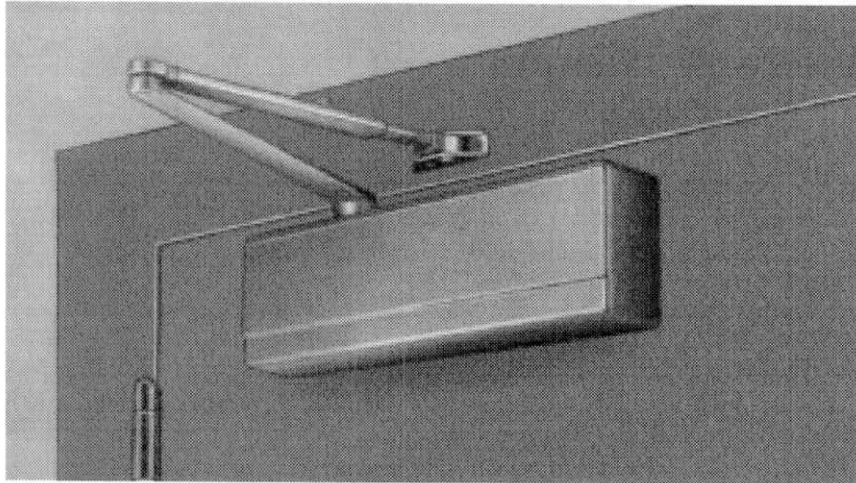
351 Series Powerglide® Door Closers Standard Application



SARGENT

1-800-727-5477

www.sargentlock.com



This closer mounts on the hinge (pull) side top rail of door. It can be used on interior doors opening in or out and exterior doors opening in. The cover projection normally limits the door opening to a maximum of 160°.

Two closer mounting positions meet all requirements

Standard Mounting

- Maximum door opening (O Arm) - 120°
- Holding range of holder arm (H Arm) -90°-105°
- Holding range of fusible link arm (F Arm) -75°- 110°

Alternate Mounting (2" nearer hinge)

- If butt, frame and wall conditions permit, closer will allow door to open 180°
- Maximum door opening (O Arm) - 160°
- Holding range of holder arm (H Arm) -105°-160°
- Holding range of fusible link arm (F Arm) -110°-135°

Minimum Top Rail Required

- 4-1/4" (108mm)
- Can be mounted on a narrow rail up to 2-3/8" min. with use of 351-A mounting plate

Maximum Frame Projection

- Cannot exceed 7/16" (11mm)

Covers

- High impact non-corrosive full covers standard
- Metal Cover optional (Handed) utilizing same templating. Use MC Prefix
- Cover projects 2 3/16" (56mm) from door face
- All covers secured by two machine screws

Non-Handed

- Universal Body

Non Sized-Adjustable

- Interior doors to 5'0" (1524mm) wide
- Exterior doors to 4'0" (1219mm) wide
- Shipped factory preset for 3'0" (912mm) door
- Factory pre-sized upon request

Backcheck

- Starts at approximately 70° door opening
- Not to be used as a positive stop
- An auxiliary door stop is required
- Pressure relief valve standard

Delayed Action (Optional)

- Allows door to close very slowly from 90° position to approximately 70°
- Available in addition to backcheck
- Pressure relief valve standard

ADA Compliant

- Easily adjusted to comply with ADA

Through Bolts and Mortise Nuts

- Available upon request, use suffix TB 1-3/4" thick door standard, 1-3/8" thick available

All Weather Operations

- Extreme Temperature capability is standard

Standard Finishes

- EAB, EB, ED, EN, EP (Standard) Powder coated on all exposed surfaces
- Architectural plated arms and covers (optional)

Special Rust Inhibitor Process (Optional) SRI

- Additional process to add superior rust protection prior to powder coating for arms and brackets for use in corrosive environments
- Specify SRI as suffix

351 Series Powerglide® Door Closers Arms and Accessories Parallel Arm Application

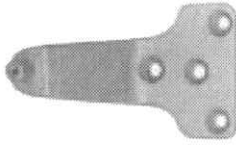


SARGENT

1-800-727-5477

www.sargentlock.com

125-P3 Arm Conversion Unit



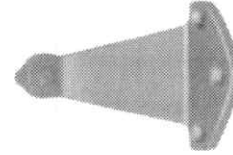
- For use with overhead door holders
- Converts standard arm to 25-P3 parallel arm offset of 1" more than P-9 arm

125-P3A Arm Conversion Unit



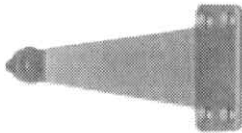
- For use with overhead door holders
- Same as 125-P3 except that it provides a greater offset 1-7/8" more than P-9
- Converts standard arm to 25-P3A parallel arm

125-P4 Conversion Unit



- For flush frame and transom conditions
- Converts standard arm to 25-P4A arm
- For use with auxiliary overhead stops and holders

125-P4A Arm Conversion Unit



- For flush frame and transom conditions
- Converts standard arm to 25-P4A arm

125-PH9 Parallel Arm Foot



- Converts standard hold open arm to 25-PH9 parallel hold open arm

351-D Drop Plate



- Permits mounting 351 Series Closers having parallel arm applications on doors with narrow top rails
- Requires 3" (76mm) minimum top rail
- For closers used with overhead stops and holders, top rail requirements will vary depending upon type and make of holder
- Steel primed and painted to match closer finishes
- Plates are not handed
- Plate mounting screws included
- Order as 351-D x finish

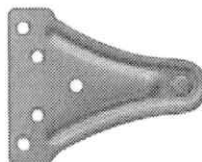
125-V

125-VF Brackets



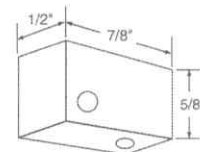
- For use with 25-P10 and 25-PS/PSH arms
- Use 125-V for narrow stop and frame conditions
- Use 125-VF for flush door and frame conditions

125-P9 Parallel Arm Foot



- Converts standard arm 25-0 to a P-9 (Parallel Arm)

Spacer 63-0191



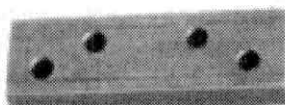
- Included with PS, PSH, P10, PH10, CPS and CPSH arm as standard used with last screw

581-2 Blade Stop Spacer Kit



- For frames with 1/2" (13mm) blade stops
- For use with P10, PS, PSH, CPS and CPSH arms
- Includes above spacer
- Packed with 1-1/4" (31mm) long screws and 125-V bracket
- *To order Blade Stop only use P/N 64-0157

581-1 Blade Stop Spacer Kit



- For frames with 1/2" (13mm) blade stops
- For use with P9, PH9 and PF9 arms only
- Packed with 1-1/4" (31mm) long screws

25-OD Double Egress Arm



Screw Pack
63-3685

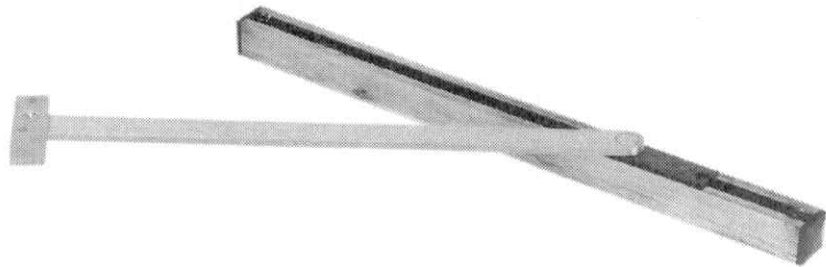
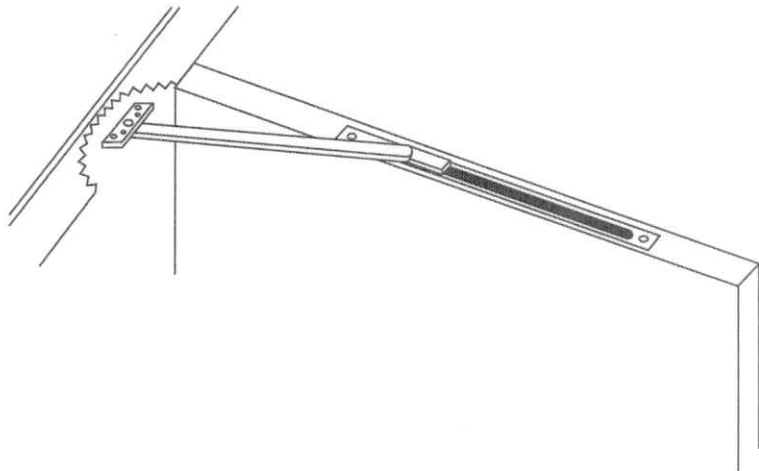
- Forged Steel Arm
- Handed
- For use with reveals from 3" to 4"
- Available with Holder option (HD) and bumper option (B)

Order as 25-OD x finish for track and arm assembly
25-OD Includes:
63-2447 -Track Assembly
63-3656 -LH Arm
63-3637 -RH Arm

Concealed Mount – Interior or Exterior – High Traffic Doors

Product Description & Features

- Doors may be single or double acting
- Non-handed
- Slide track design
- Recommended for high traffic, heavy abuse installations
- Heavy shock absorber spring provides 5-7° compression before dead stop
- LS option omits spring for special applications
- Surface on/off knob on hold open models
- Stop, friction stay or hold open functions
- Complete screw packet for installation in wood and machine screws for door and frame.
- For security areas, Torx® screws available for exposed fasteners
- Standard architectural finishes
- Durable slider cam and shock block
- 110° maximum opening
- 1-3/4" minimum door thickness, for thicker doors, note thickness when ordering
- 1-3/16" square channel
- Stop function UL listed for fire door assemblies
- Hanging means other than standard butts or offset pivots require special templating and pricing. Consult factory



Checkmate®
Stops & Holders

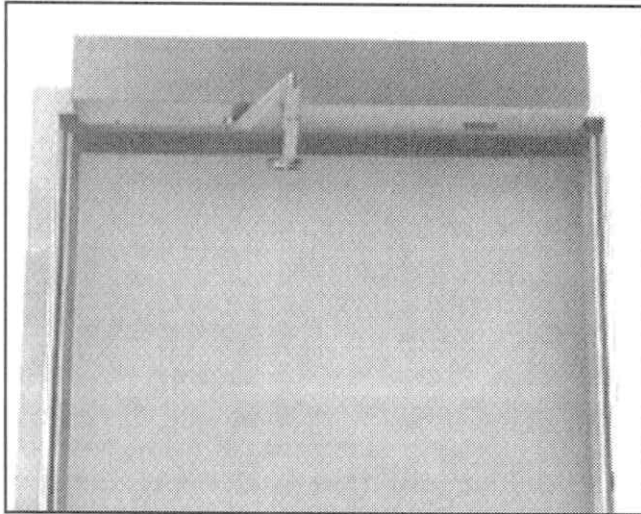
Door Opening Chart (in inches)

Butts Offset Pivots	Center Hung Pivots	Model Number		
		Friction	H.O.	Stop
*24 - 28	—	1-116	1-126	1-136
28-1/16 - 33	30 - 36	1-216	1-226	1-236
33-1/16 - 38	36-1/16 - 41	1-316	1-326	1-336
38-1/16 - 43	41-1/16 - 46	1-416	1-426	1-436
43-1/16 - 48	46-1/16 - 50	1-516	1-526	1-536

ANSI No.			
Shipping Weight 4.5 lbs.	Friction	H.O.	Stop
	C01531	C01511	C01541

*Butt hung only on this size door. No swing clear hinges.

4051/4052 Operators for Push Side
MPower 4000 Door Operator

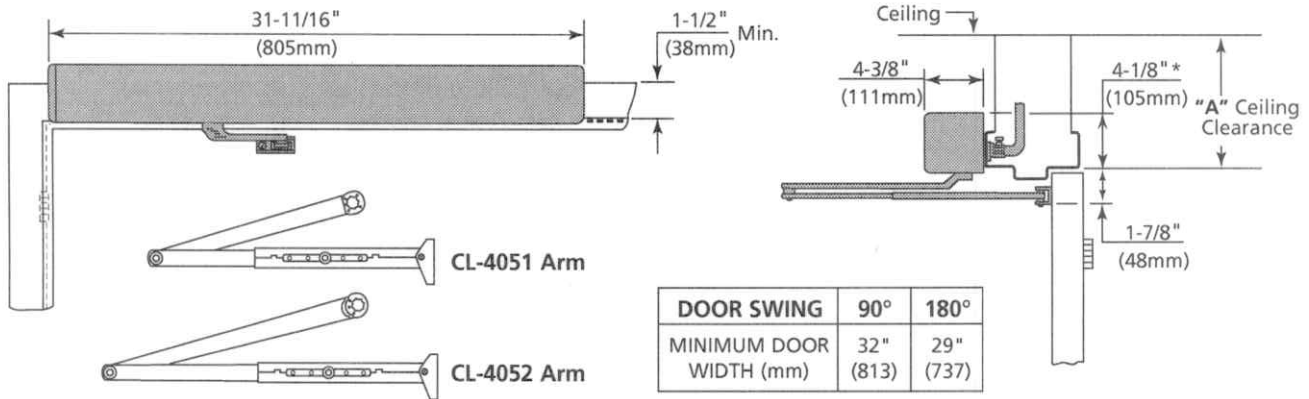


CL-4051/4052
STOP (PUSH) SIDE OF DOOR

- STANDARD DUTY DOUBLE LEVER ARM**
- Frame reveals 2-3/4" to 7" (70 to 178mm)
 - An auxiliary door stop is required for these applications.
 - Specify hand when ordering

MODEL	DOOR OPENING
CL-4051	Up to 110°
CL-4052	From 110° to 180°

Standard Push Side Application



If dimension "A" less than 5" (127mm), use 4001D for 4051, 4002D for 4052 drop bracket (Drop Application); see page 6 and handed unit with CL prefix.

Note: Contact factory for use on doors exceeding 250lbs (113kg)

Typical System Applications

MPower 4000 Door Operator



MAGNETIC LOCK

Opening Description: Fail Safe ADA Opening - Magnetic Lock & Door Operator

Application

Non-Fire Rated Glass Door - Interior or Exterior Office or Main Entrance Openings

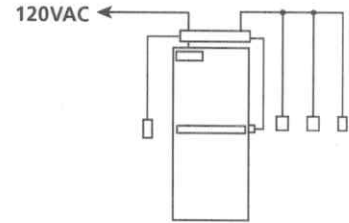
Operation

- Lock or unlock system by a key control switch at all times
- Free ingress & egress using the door operator or manually when unlocked
- Outside door switch will be inactive denying ingress other than by card when locked
- To exit, inside door switch will unlock magnetic lock and open the door or manually push bar to exit

- Door operator acts as standard door closer when entering or exiting manually

Material

- SARGENT MPower 4000 Door Operator
- SARGENT 1584 Electromagnetic Lock
- McKINNEY QC Electric Hinge
- SARGENT 55-8895 Mechanical Touch Bar with Request to Exit Switch
- 2-SARGENT 4296HP Door Switches
- SARGENT 4370L Maintained Key Switch
- SARGENT 4301 Card Reader



ELECTRIC STRIKES

Opening Description: Fail Secure ADA Opening - Double Electric Strike & Door Operators on Pair of Doors

Application

Interior, Non-Fire Rated Wood or Metal Doors - Corridor or Emergency Room Openings

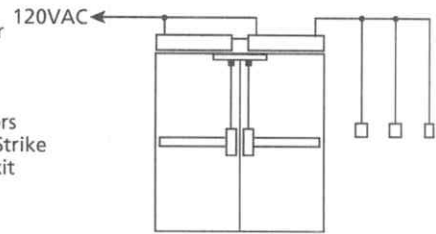
Operation

- Doors are to be closed and latched at all times
- Key Switch activates and deactivates door switches to signal door operators
- Active door switch will energize the electric strike and automatically open doors

- Access manually from the push side only when door switches are inactive
- Door operators will act as standard door closers when door switches are inactive

Material

- 2-SARGENT MPower 4000 Door Operators
- FOLGER ADAM 310-4-1 Double Electric Strike Devices
- 2-SARGENT 8700 Surface Vertical Rod Exit Devices
- 2-SARGENT 4396HP Door Switches
- SARGENT 4370L Maintained Key Switch



VESTIBULE

Opening Description: Vestibule - Two Single Doors & Operators

Application

Interior or Exterior Non-Rated Glass, Wood or Metal Doors - Hospitals, College Dorms, Hotels and other Public Buildings

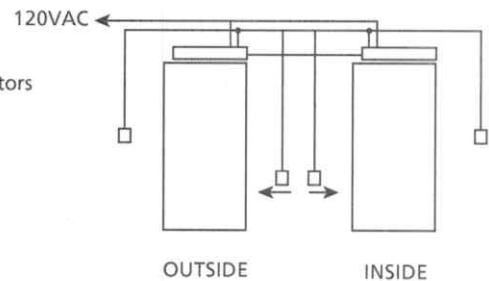
Operation

- Doors are closed but not latched at all times when not activated
- 2 door switches outside of vestibule operate closest door first, then second door

- 2 door switches inside vestibule operate closest door only

Material

- 2-SARGENT MPower 4000 Door Operators
- 4-SARGENT 4396HP Door Switches



VESTIBULE (TWO PAIR)

Opening Description: Vestibule - Two Pairs of Doors & Operators

Application

Exterior Non-Rated Glass Doors - Hospitals, College Dorms, Large Hotels, Convention Centers and other Public Buildings

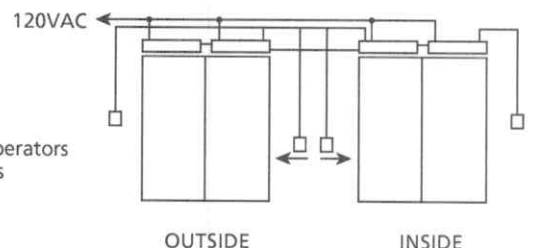
Operation

- Doors are closed but not latched at all times when not activated

- 2 door switches outside of vestibule operate closest door first then other door
- 2 door switches inside vestibule operate closest door only

Material

- 4-SARGENT MPower 4000 Door Operators
- 4-SARGENT 4296HP Door Switches



Typical System Applications

MPower 4000 Door Operator

SARGENT®
ASSA ABLOY



WITH ACCESS CONTROL

FOR ENTRY

Opening Description: Fail Secure ADA Opening
– Electric Strike & Door Operator

Application

Rated or Non-Fire Rated Metal Door – Interior or Exterior Office, Main Entrance or Stairwell Openings

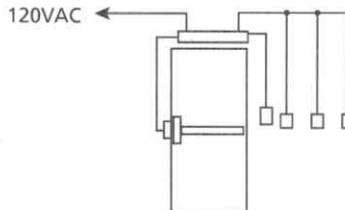
Operation

- Activate or deactivate system by a key control switch
- When outside, door switch is inactive, ingress will be by card only
- Inside door switch will unlock and open the door automatically

- Push exit device bar to exit at all times
- Door operator acts as standard door closer when entering or exiting manually
- Recommend: HES Electric Strikes

Material

- SARGENT MPower 4000 Door Operator
- SARGENT 8900 Mortise Exit Device
- 2-SARGENT 4396HP Door Switches
- SARGENT 4370L Maintained Key Switch
- SARGENT 4301 Card Reader
- HES 1006 Electric Strike



SMOKE VENTILATION

Opening Description: Fail Secure "Blow Open" Opening – Latch Retraction & Door Operators on Pair of Doors

Application

Exterior Metal Doors – Emergency Ventilation Type Openings

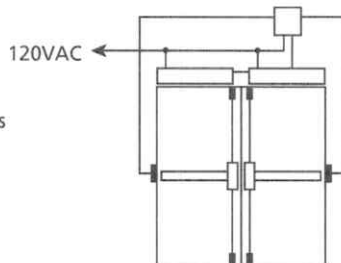
Operation

- Doors are to be closed and latched at all times
- Fire Alarm system sends signal to activate door operators and latch retraction devices

- Doors open when activated and stay open until loss of power or until fire alarm is reset
- Door operators act as standard door closers during normal use

Material

- 2-SARGENT MPower 4000 Door Operators
- 2-SARGENT 56-8700 Latch Retraction Vertical Rod Exit Devices
- 1-SARGENT 3540, 2amp, 24 VDC regulated and filtered power supply
- 2-McKINNEY QC Electric Hinges



LATCH RETRACTION

Opening Description: Vestibule – Two Single Doors & Operators

Application

Interior or Exterior Rated & Non-Rated Glass, Wood or Metal Doors – Hospitals, College Dorms, Hotels and other Public Buildings

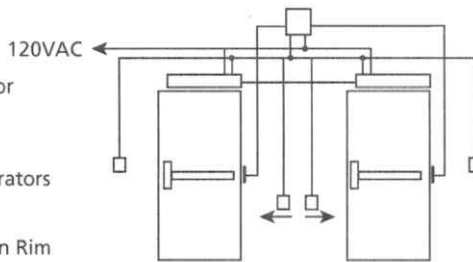
Operation

- Doors are closed and latched at all times
- When activated, latch bolts are retracted and door(s) will automatically open
- 2 door switches outside of vestibule operates closest door first then second door

- 2 door switch inside vestibule operate closest door only
- Recommend: 56- Latch Retraction Exit Devices
- Non-rated devices can be dogged for push/pull operation

Material

- 2-SARGENT MPower 4000 Door Operators
- 4-SARGENT 4396HP Door Switches
- 2-McKINNEY QC Electric Hinges
- 2-SARGENT 56-8888 Latch Retraction Rim Exit Devices
- 1-SARGENT 3540, 2amp, 24 VDC regulated and filtered power supply



MAGNETIC LOCKS (INTERLOCK)

Opening Description: Vestibule Interlock – Two Pairs of Doors & Operators

Application

Interior or Exterior Rated & Non-Rated Glass, Wood or Metal Doors – ICU Rooms at Hospitals, Research Labs, Clean Rooms & other Environmentally Controlled Applications

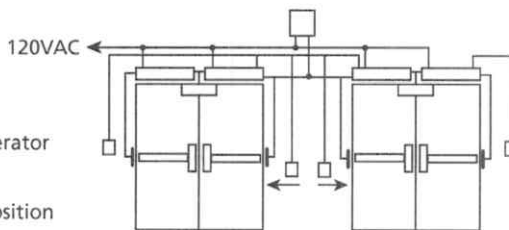
Operation

- Doors are closed and secure by electromagnetic locks
- Only one pair of doors may be open at a time before the opposite doors can open
- When activated, magnetic locks unlock and door(s) will automatically open

- Door switch outside of vestibule operates closest pair of doors
- Either door switch in vestibule operates closest pair of doors when all doors are closed

Material

- 4-SARGENT MPower 4000 Door Operator
- 4-SARGENT 4396HP Door Switches
- 2-SECURITRON DM62SC Double Electromagnetic Locks with Door Position Switch
- 4-McKinney QC Electric Hinges
- 4-SARGENT 55-8895 Mechanical Touch Bar with Request to Exit Switch
- 1-SARGENT 3540, 2amp, 24 VDC regulated and filtered power supply

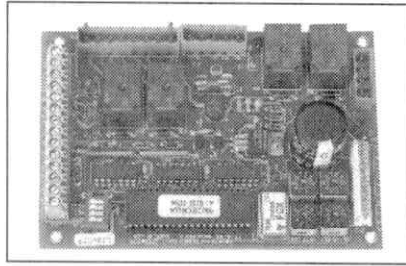


Copyright © 2008, 2009, Sargent Manufacturing Company, an ASSA ABLOY Group company. All rights reserved. Reproduction in whole or in part without the express written permission of Sargent Manufacturing Company is prohibited.

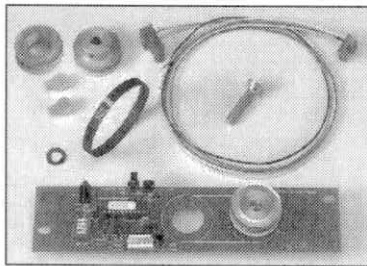
90134-B 11/15/09

Accessories

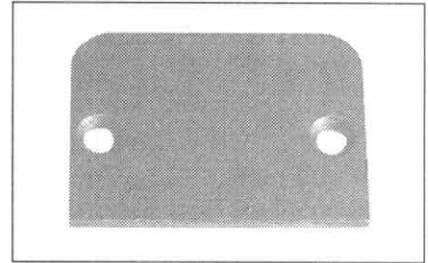
Mpower 4000 Door Operator



63-4205 Control Board



63-4179 Repair Kit ELS Board



63-0709 Security Plate - Conceals the ON/OFF/HOLD OPEN switch to deter tampering, supplied with operator

63-4188 Operational Signs (kit contains 7 signs) – Supplied with operator



2 per



1 per



1 per



2 per



1 per



1 per



2 per

Accessories

SARGENT MODEL	DESCRIPTION	VIEW	NOTES
4396HP	6" x 6" Square wall switch with handicap logo & "Press to Open"		<ul style="list-style-type: none"> • Momentary SPDT contacts rated at 500ma @ 12 VDC or 24VAC • Mounts in standard single or double gang electrical box or in 6-1/2" x 6-1/2" x 1-3/4" surface mount box provided • Wireless Switch Option: <ul style="list-style-type: none"> - Operators at 433MHz - Operator requires RF receiver (#RFR2) - Switch is to be surface mounted in box provided - Specify "RF" to switch number to order (Ex: 4395HPRF)
4396P	6" x 6" Square wall switch with "Press to Open"		
4395HP	6" Round wall switch with handicap logo & "Press to Open"		
4395P	6" Round wall switch with "Press to Open"		
FOB1	Key Fob Transmitter		
RFR2	RF Receiver		<ul style="list-style-type: none"> • 433 MHz Radio Frequency (RF) Receiver Kit: Field-installed RF Receiver used in conjunction with RF transmitter above (FOB1) and all RF wireless wall switches
4397HP	Narrow type switch		<ul style="list-style-type: none"> • Mounts flush through a 1-3/4" x 2-7/8" cutout in jamb or in the 4-3/4" x 2" x 1-7/8" box provided • Momentary SPDT contacts rated at 500ma @ 12 VDC or 24VAC
4341	1" x 3/4" Surface Mount Pushbutton		<ul style="list-style-type: none"> • Surface mount push button • Momentary DPST contacts rated at 3 Amps
4399	2" Square Green Pushbutton		<ul style="list-style-type: none"> • Single gang push button with green LED • Momentary SPDT contacts rated at 10 Amps

COMMERCIAL THRESHOLDS

COMMERCIAL THRESHOLDS

Saddle Thresholds

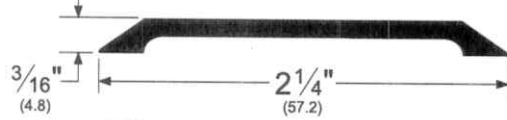
- To use a saddle threshold in an offset condition, use an elevator (see page CT-9).

ALL PRODUCTS ON THIS PAGE ARE TESTED TO OR ARE APPROVED UNDER: 

ADDITIONAL Testing/Approvals are listed next to individual product information

173

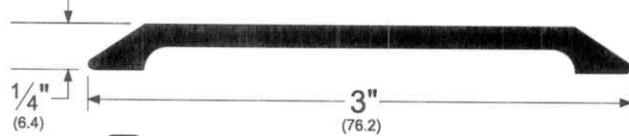
AVAILABLE FINISHES: A, B, D, G



151



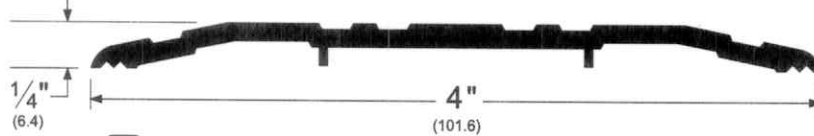
AVAILABLE FINISHES: A, B, D, G



270



AVAILABLE FINISHES: A, B, D, G



271



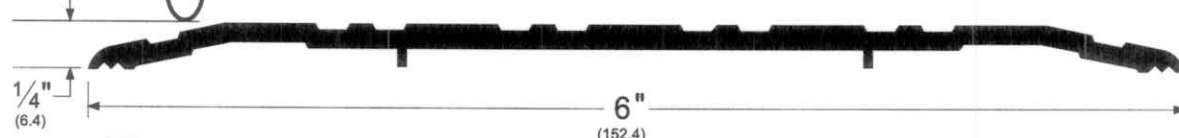
AVAILABLE FINISHES: A, B, D, G, SN



272



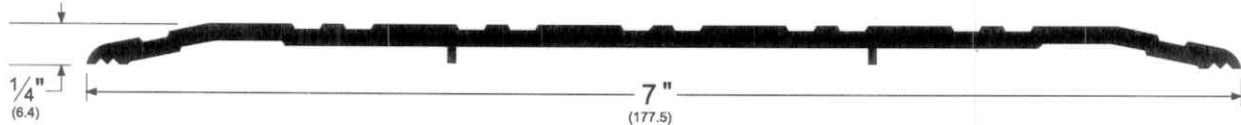
AVAILABLE FINISHES: A, B, D, G, SN



276



AVAILABLE FINISHES: A, B, D, G



2748



AVAILABLE FINISHES: A, D, G



NOTE: Products shown in this section may not be drawn to scale.

▲ AVAILABLE FINISHES FOR PRODUCTS SHOWN ON THIS PAGE (see General Information section for finish chart)

A (Mill Finish Aluminum) • B (Mill Finish Extruded Bronze [Brass]) • D (Dark Bronze Anodized) • G (Gold Anodized) • SN (Satin Nickel Anodized)