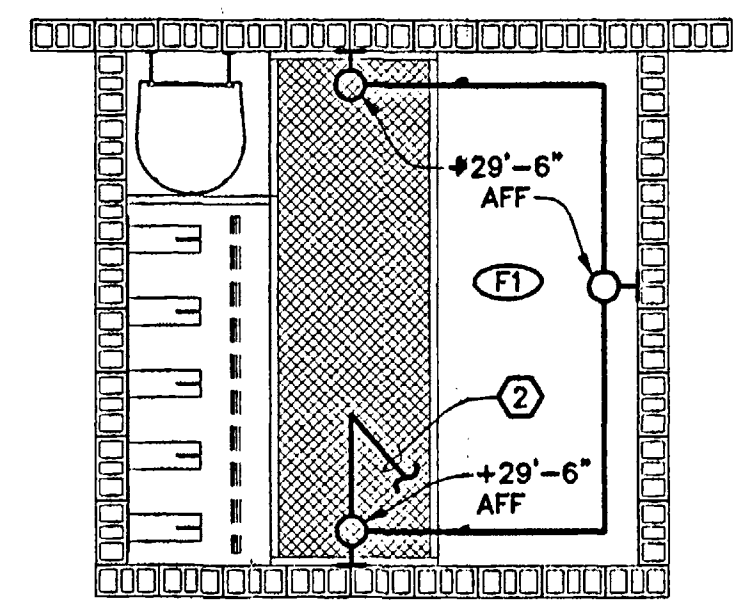


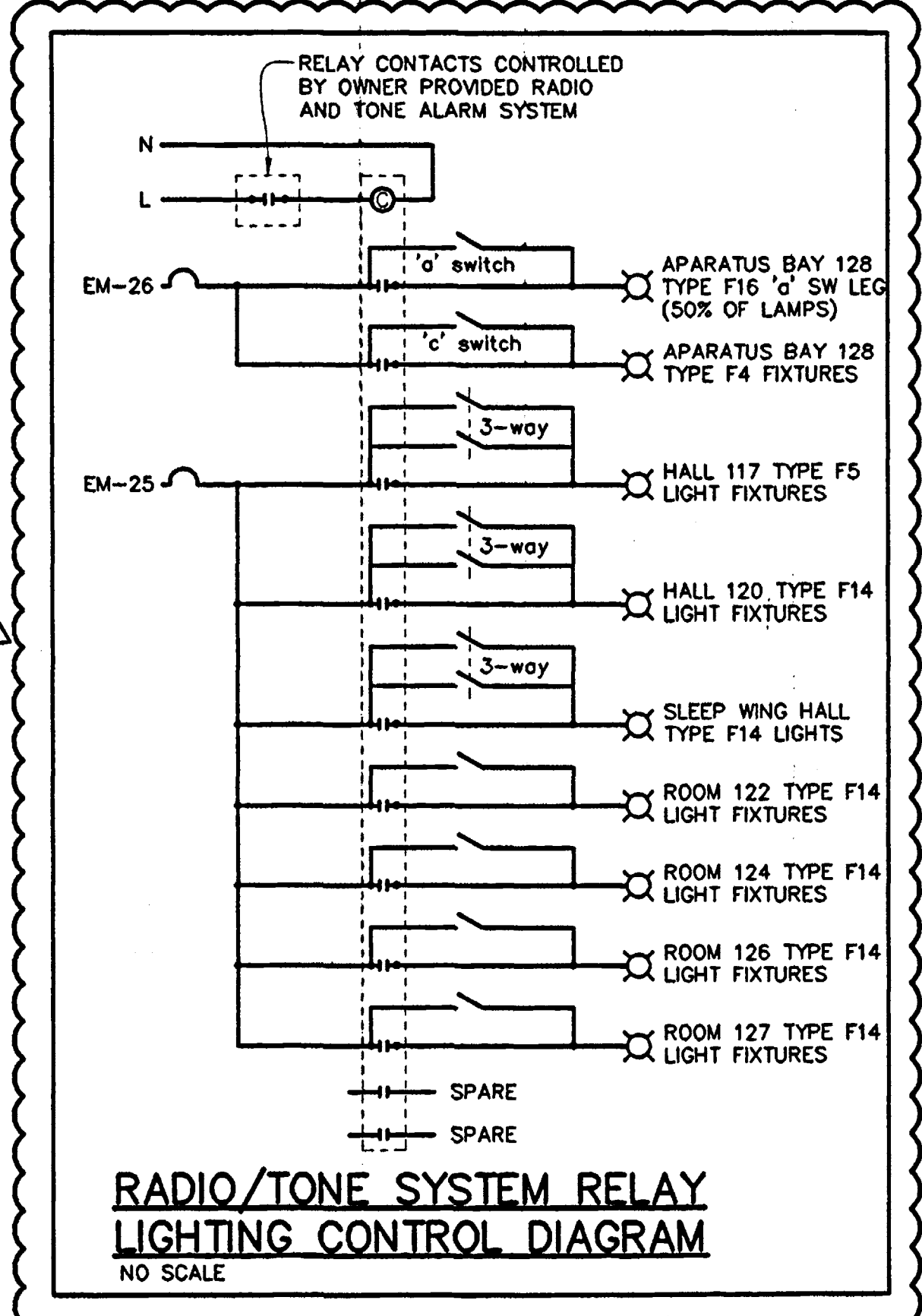
NORTH
LIGHTING PLAN
 SCALE: 1/8" = 1'-0"

FLAG NOTES THIS SHEET: 0

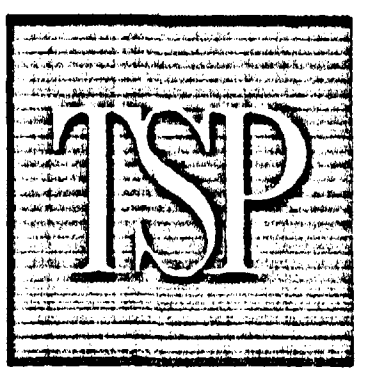
1. TO EXHAUST FAN. REFER TO SHEET E4 FOR CONTINUATION OF CIRCUIT.
2. CONTINUATION OF LIGHTING CIRCUIT FROM LOWER LEVEL OF HOSE TOWER.
3. CIRCUIT CONTROLLED VIA LIGHTING CONTACTOR. REFER TO SITE LIGHTING CONTACTOR DETAIL, SHEET E1, FOR ADDITIONAL REQUIREMENTS.
4. PROVIDE DIMMER SWITCH FOR CONTROL OF LOUNGE LUMINAIRES. COORDINATE COLOR OF SWITCH PRIOR TO ROUGH-IN. HUBBELL: #AS103.
5. REFER TO ENLARGED MEZZANINE PLAN FOR CONTINUATION OF CIRCUIT.
6. CONNECT TO UNSWITCHED PORTION OF LIGHTING BRANCH CIRCUIT.
7. PROVIDE BRACING TO AVOID LATERAL FIXTURE MOVEMENT.
8. LOCATION OF TIMECLOCK AND LIGHTING CONTACTOR. REFER TO SHEET E1 FOR ADDITIONAL REQUIREMENTS.
9. CONNECT TO CIRCUIT EM-29.
10. FIXTURE SHALL BE PHOTOCELL AND LOCAL SWITCH CONTROLLED.
11. RECESSED WALL SCONCES TO PROVIDE LOW LEVEL LIGHTING IN SLEEPING ROOMS AND CORRIDOR. ARROW INDICATES ROOM SERVED BY RECESSED SCONCE.
12. SWITCHED PORTION OF CIRCUITS INDICATED ARE ALSO TO BE CONTROLLED BY RADIO TONE SYSTEM RELAY CONTACTS. SEE CONTROL DIAGRAM ON THIS SHEET. LUMINAIRES INDICATED SHALL TURN ON AUTOMATICALLY UPON TONE ALARM SIGNAL FROM RADIO SYSTEM. PROVIDE ALL NECESSARY COMPONENTS TO MAKE A COMPLETE OPERATIONAL SYSTEM. COORDINATE WITH OWNER AND EQUIPMENT SUPPLIER PRIOR TO WORK.
13. THE TYPE F16 APPARATUS BAY PENDANT FIXTURES ARE TO BE DUAL-LEVEL SWITCHED. CIRCUIT EM-26 AND EM-28 SHALL BE PULLED TO EACH FIXTURE. SWITCH INPUT TO POWER 50% OF THE LAMPS EACH (ONE HALF CONTROLLED BY WALL SWITCH "a", THE OTHER HALF CONTROLLED BY WALL SWITCH "b").



NORTH
ENLARGED HOSE TOWER MEZZANINE LIGHTING PLAN
 SCALE: 1/4" = 1'-0"



RADIO/TONE SYSTEM RELAY LIGHTING CONTROL DIAGRAM
 NO SCALE

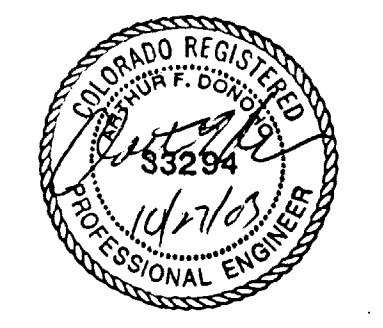


To Solve. To Excel. Together.
 TSP Five, Inc.
 8751 E Hampden
 Suite A-1
 Denver, CO 80231
 phone: (303) 695-1997
 fax: (303) 695-1838
 www.teamtsp.com

Architecture
 Engineering
 Construction

CONSULTANTS:

MCK
 MCK CONSULTING ENGINEERS, INC.
 Mechanical, Electrical & Energy Consultants
 7350 East Progress Place, Suite 100
 Englewood, Colorado 80111
 (303) 721-8600 • Fax (303) 721-0200
 www.mckeng.com



PROJECT TITLE:



City of Grand Junction
 Fire Department
 Redlands Fire Station No. 5
 Grand Junction, Colorado

MARK	DATE	DESCRIPTION
Δ	10/17/03	ADDENDUM NO. 1
	10/08/03	

PROJECT NUMBER: 0503006
 CAD FILE: 14495E2
 DRAWN BY: RAR
 CHECK BY: HWD

SHEET TITLE:
LIGHTING PLAN