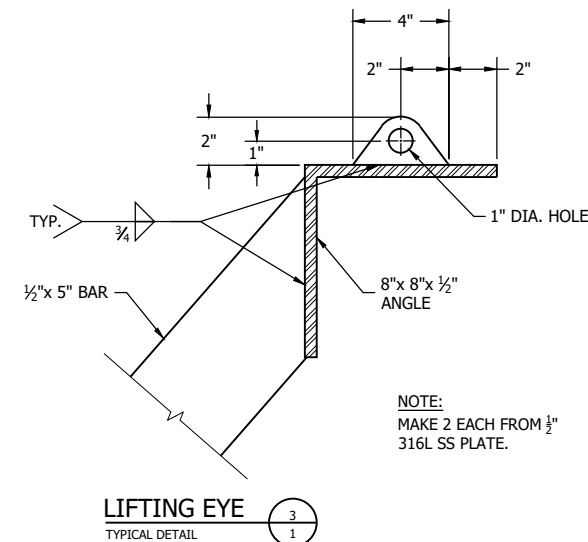
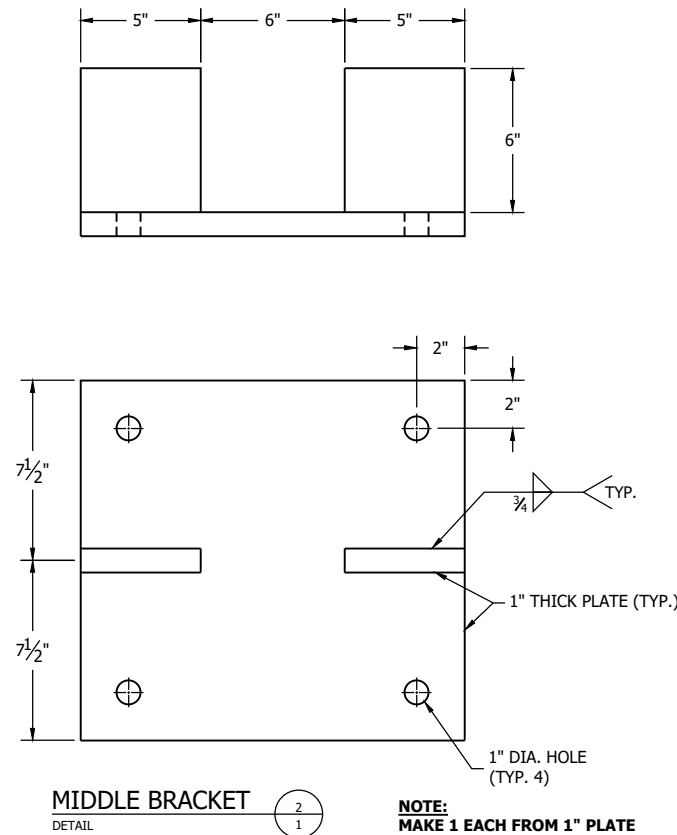
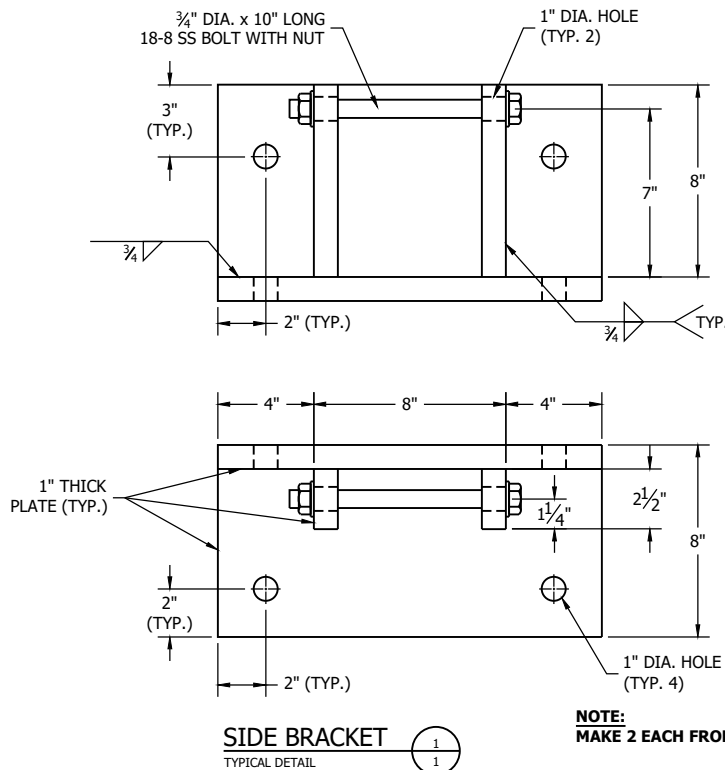
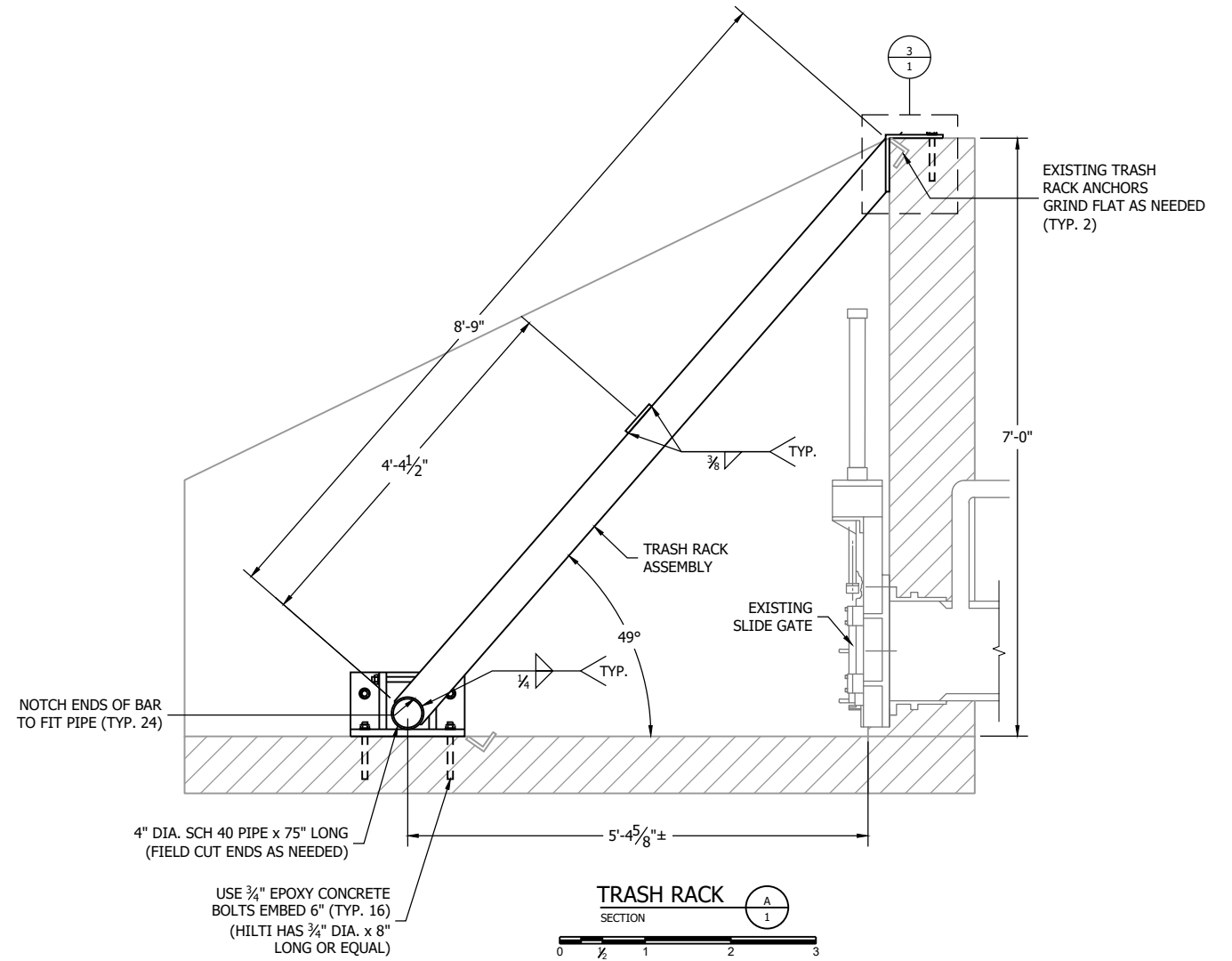


**1 TRASH RACK**  
PLAN VIEW  
Scale in Feet



- NOTES:**
1. CONSTRUCT FROM 316L OR 304 STAINLESS STEEL.
  2. ALL WELDED CONSTRUCTION
  3. PASSIVATE WELDS AFTER FABRICATION.
  4. FIELD VERIFY ALL DIMENSIONS.

APRIL 2019

**W. W. WHEELER & ASSOCIATES, INC.**  
Water Resources Engineers

**JUNIATA RESERVOIR TRASH RACK REPLACEMENT GENERAL ARRANGEMENT**

Job Number 1891.00

Figure 1