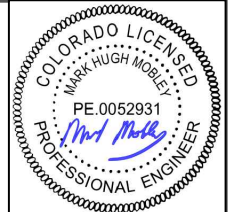


POINT TABLE			
NAD83 COLORADO STATE PLANE, CENTRAL ZONE, US FOOT			
LABEL	EASTING	NORTHING	ELEVATION
D1	2208949.7'	1424343.3'	5681.0'
D2	2208502.5'	1425456.9'	5680.5'
S1	2207937.6'	1423859.6'	5748.5'
S2	2208067.1'	1423741.9'	5732.3'
S3	2209056.1'	1424078.9'	5689.9'

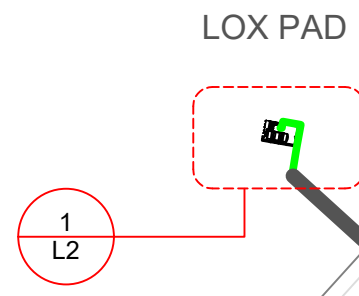
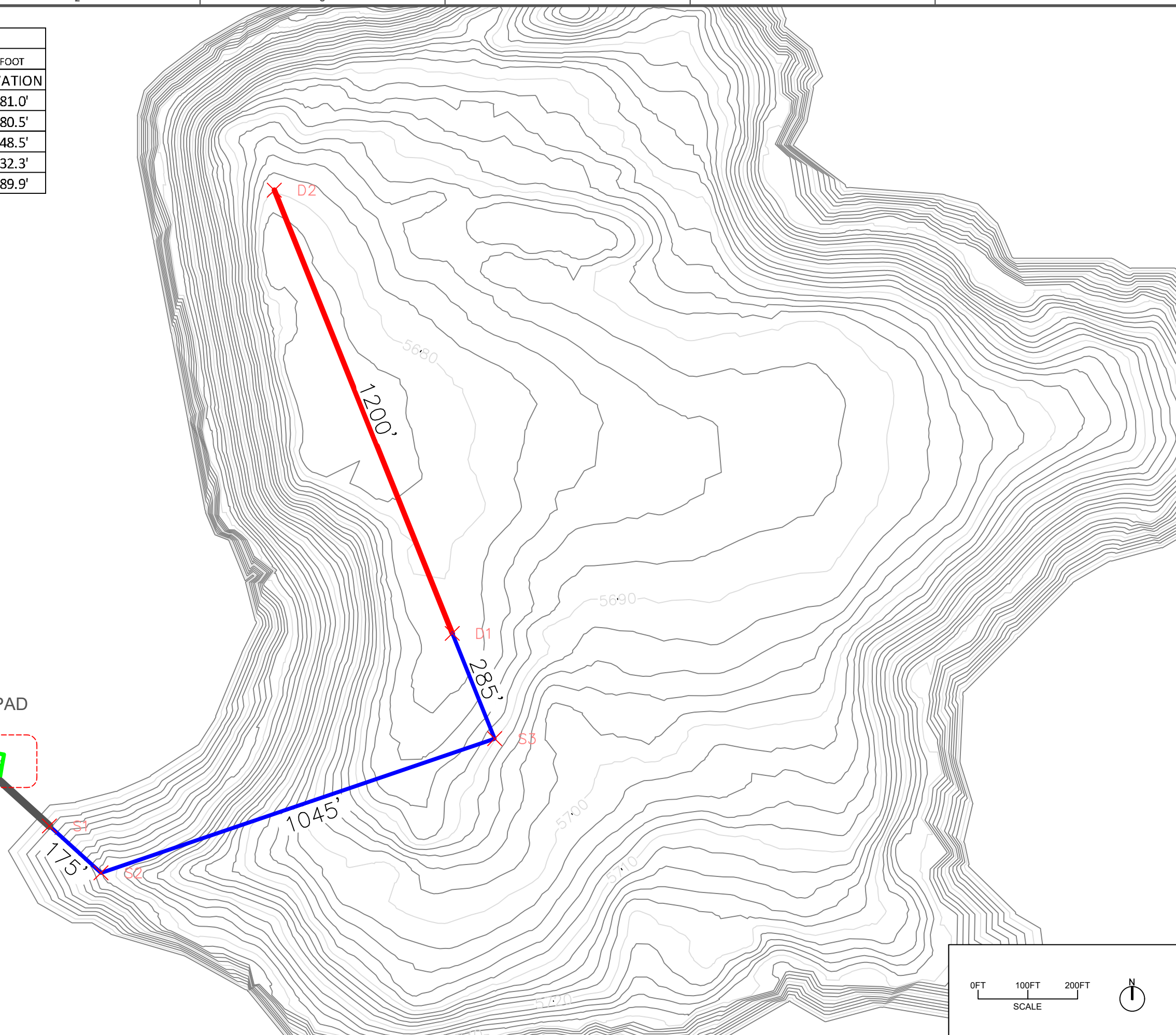


CERTIFIED AS BUILT	NO.	DESCRIPTION	DATE

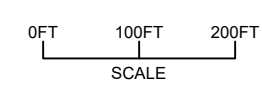
CITY OF GRAND JUNCTION  
 JUNIATA RESERVOIR  
 OXYGENATION SYSTEM  
 WHITEWATER, COLORADO

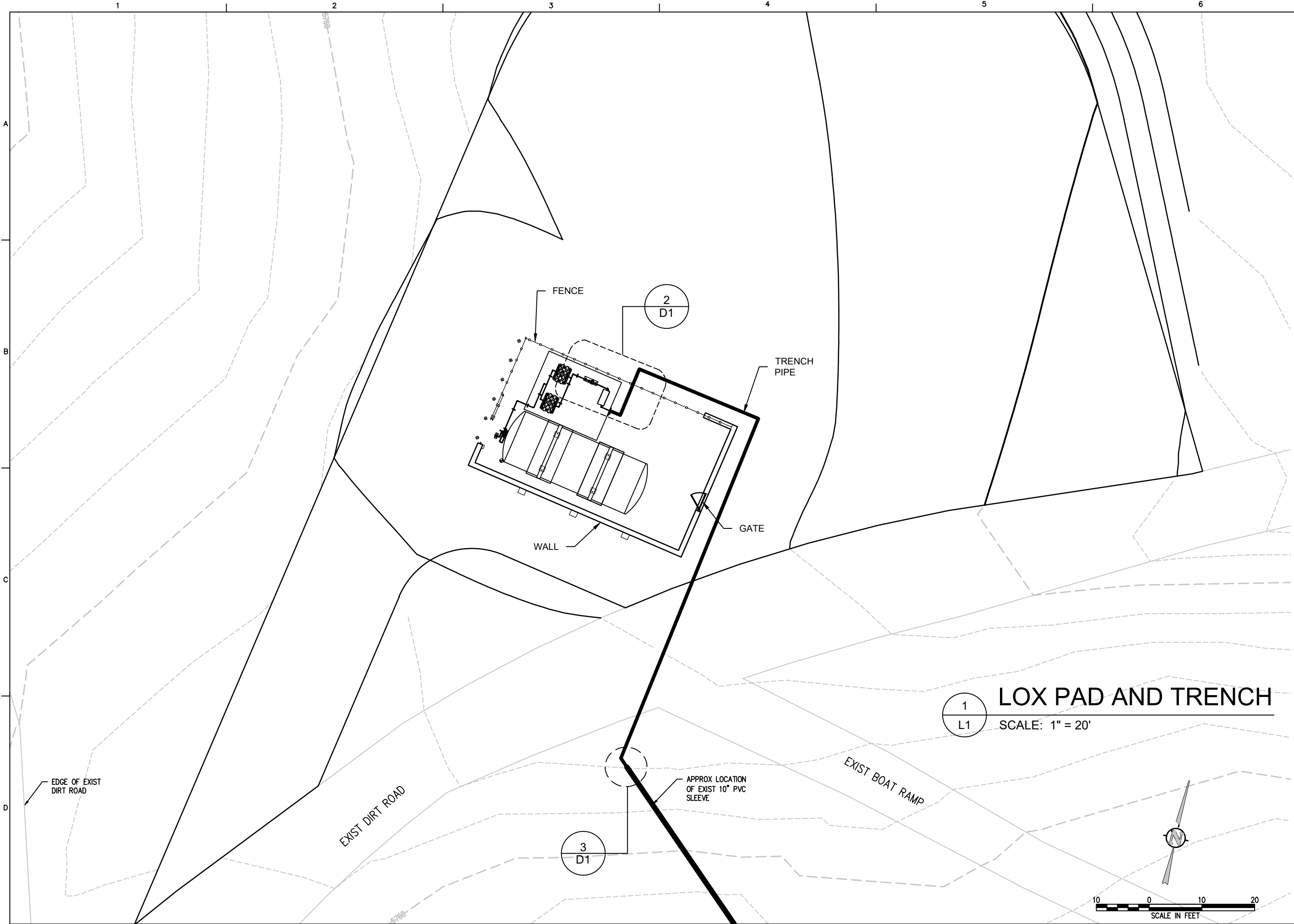
**Mobley Engineering, Inc.**  
 PO Box 600 Norris, TN 37828-0600 Ph (865) 494-0600  
 DIFFUSER LAYOUT

DATE	8/22/22
DESIGN	MARK M
DRAWN BY	MILES M
SCALE	1" = 200'
DWG	L1
SHEET	1 OF 7



DIFFUSER	<span style="color: red;">—</span>
SUPPLY	<span style="color: blue;">—</span>
SLEEVE	<span style="color: black;">—</span>
TRENCH	<span style="color: green;">—</span>

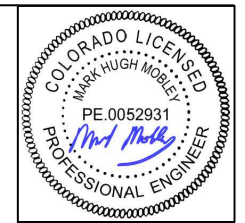




1  
L1

# LOX PAD AND TRENCH

SCALE: 1" = 20'



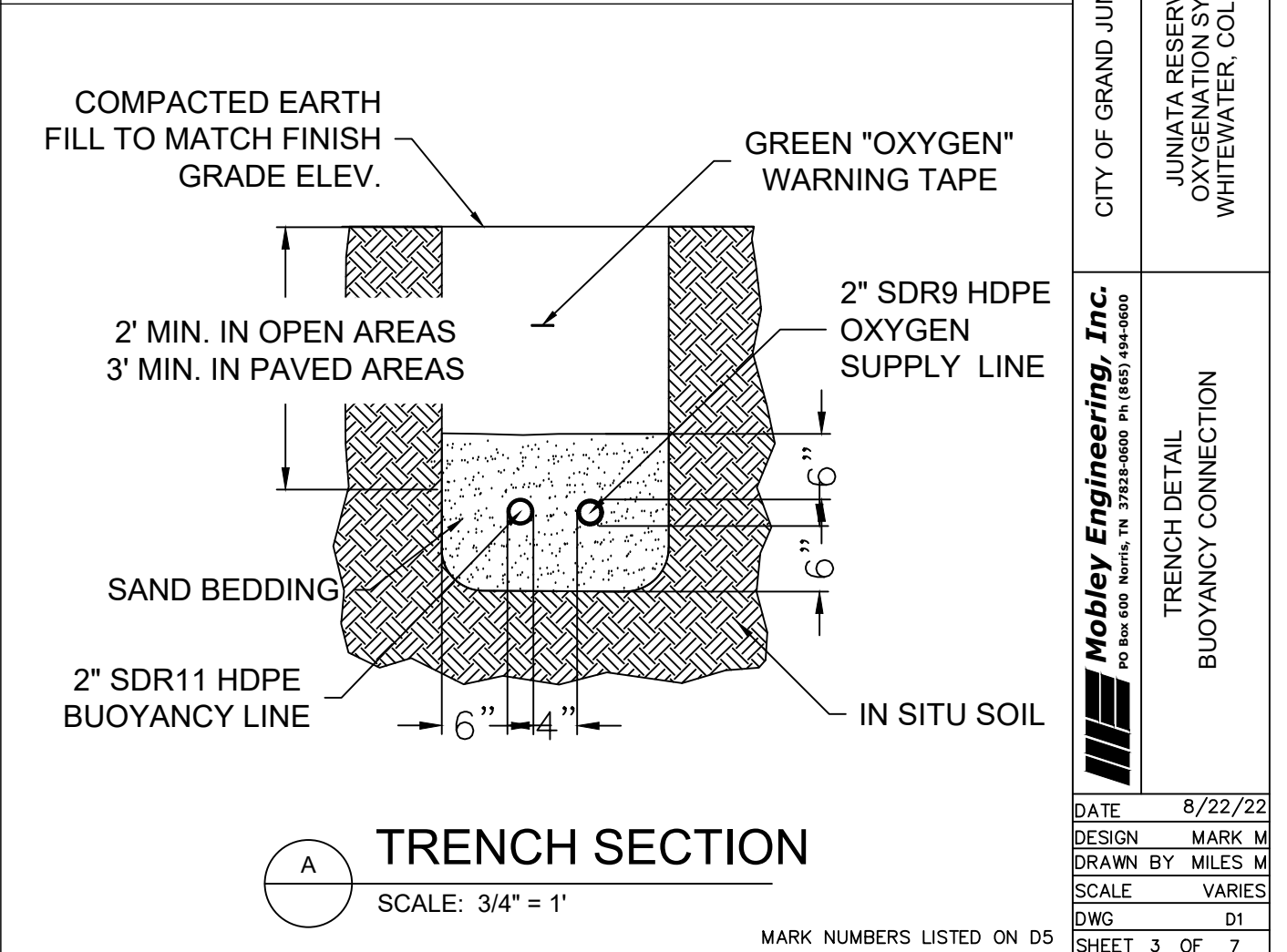
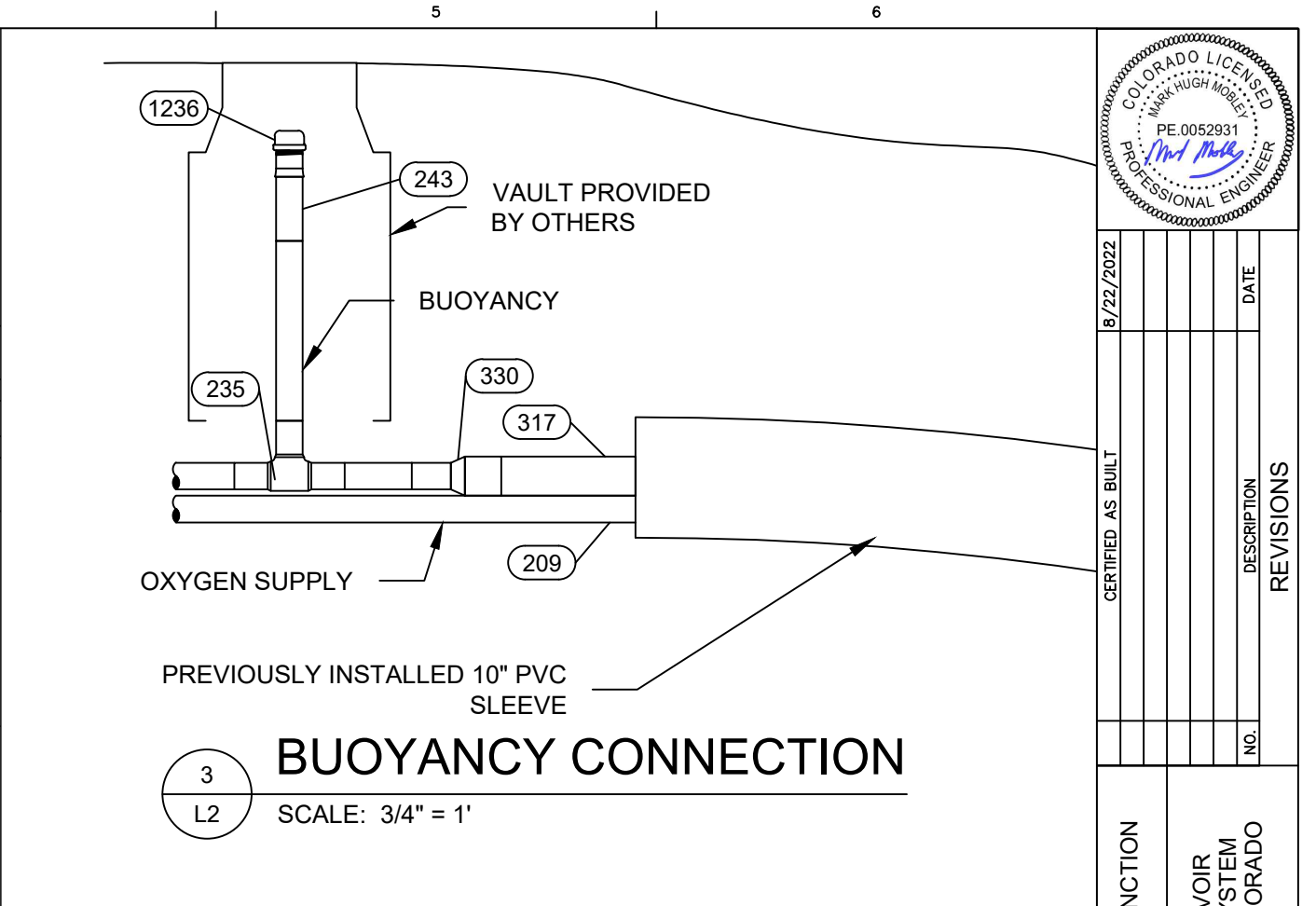
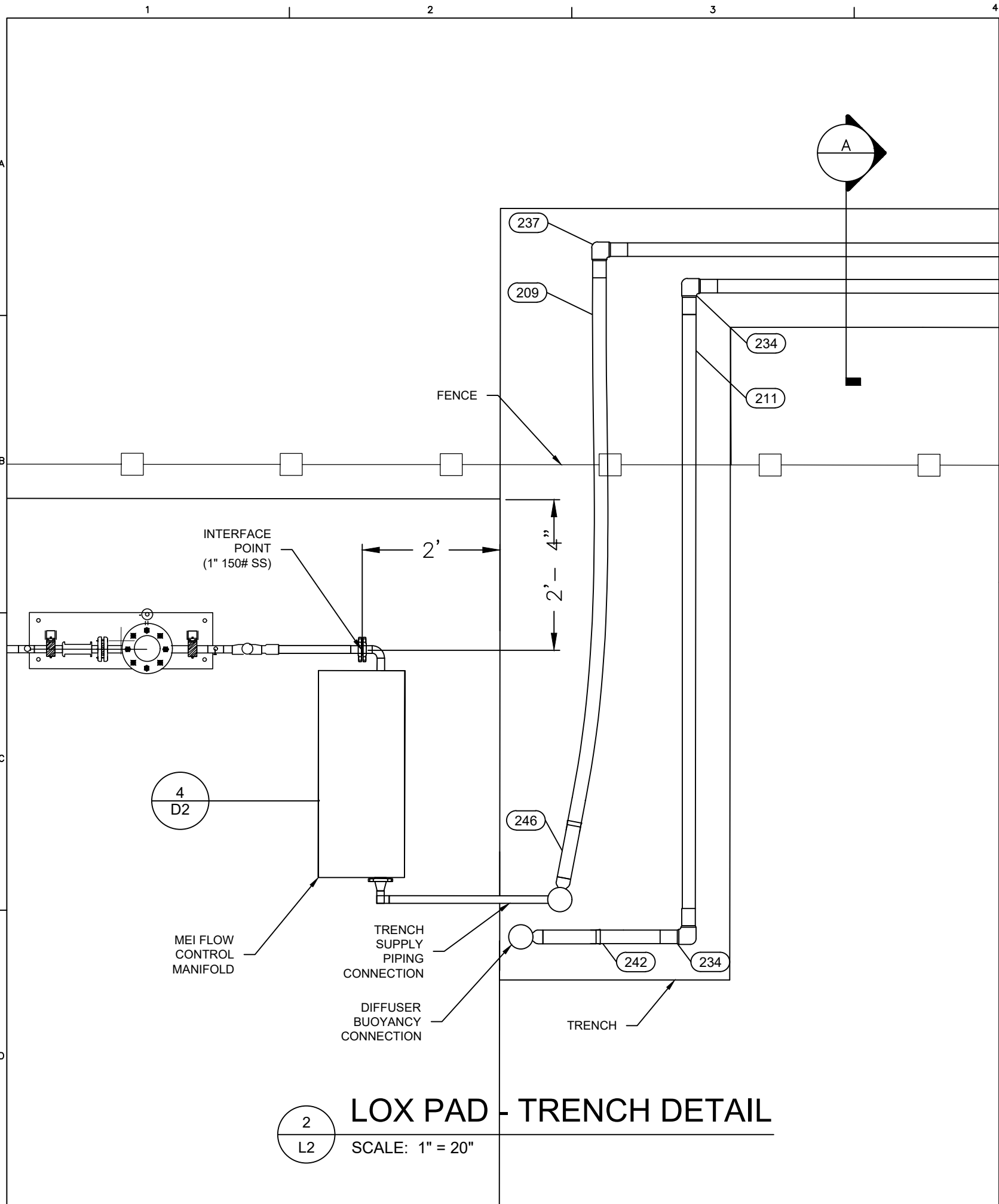
CERTIFIED AS BUILT	NO.	DESCRIPTION	DATE

CITY OF GRAND JUNCTION  
 JUNIATA RESERVOIR  
 OXYGENATION SYSTEM  
 WHITEWATER, COLORADO

**Mobley Engineering, Inc.**  
 PO Box 600 North, TN 37828-0600 PH: (865) 494-0600

LOX PAD AND TRENCH OVERVIEW

DATE	8/22/22
DESIGN	MILES M
DRAWN BY	MILES M
SCALE	1" = 20'
DWG	L2
SHEET	2 OF 7



NO.	REVISIONS	DATE
	CERTIFIED AS BUILT	8/22/2022

1 2 3 4 5 6

A

B

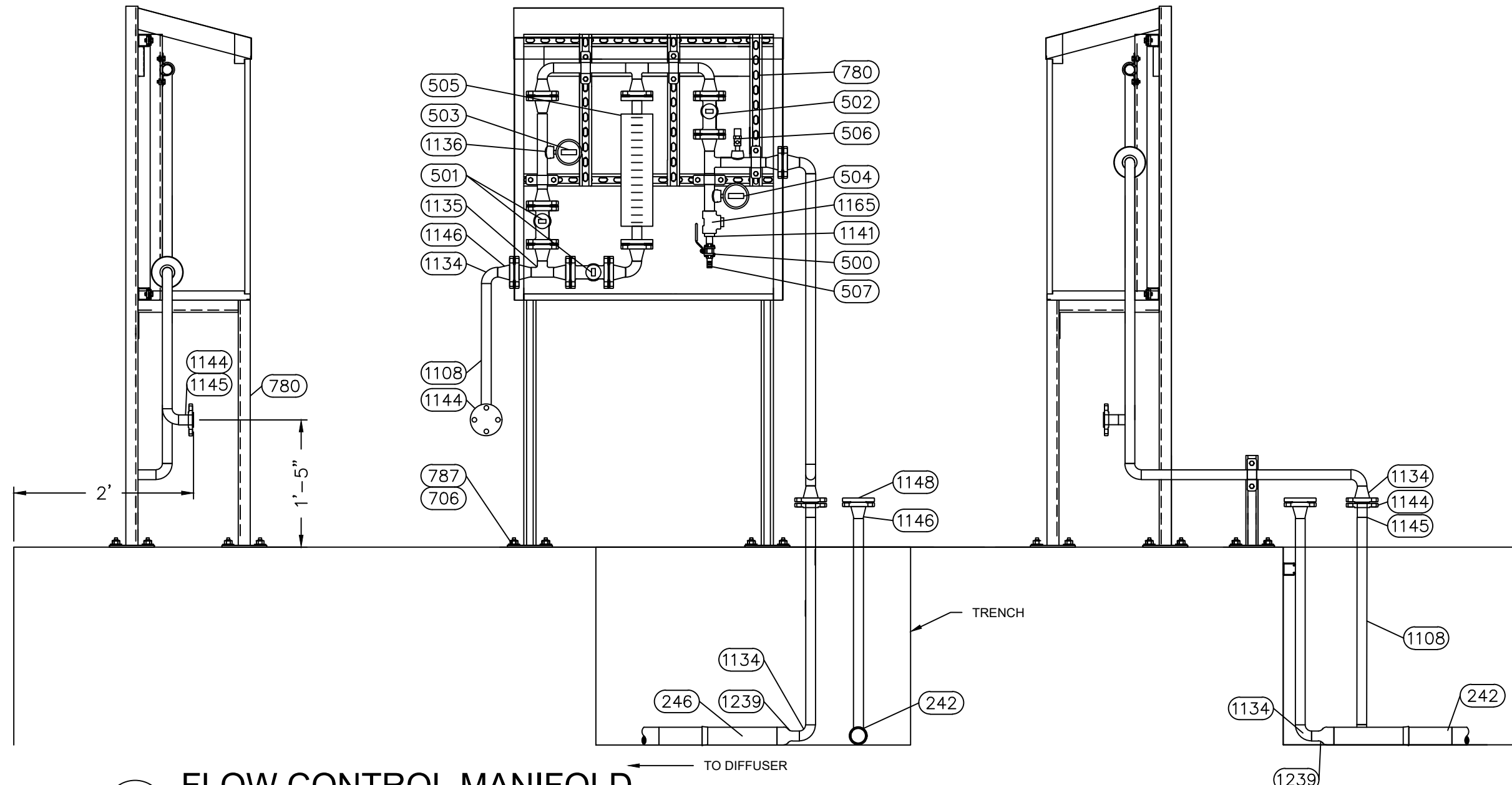
C

D

RIGHT SIDE VIEW

FRONT VIEW

RIGHT SIDE VIEW



4 FLOW CONTROL MANIFOLD  
D1 SCALE: 3/4" = 1'



NO.	DESCRIPTION	DATE

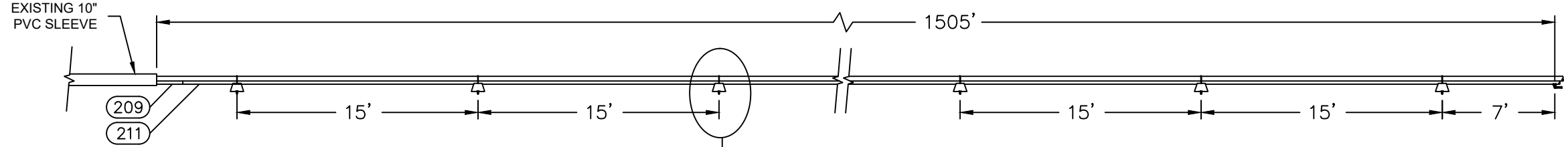
CITY OF GRAND JUNCTION	JUNIATA RESERVOIR OXYGENATION SYSTEM WHITEWATER, COLORADO
------------------------	---

<b>Mobley Engineering, Inc.</b> PO Box 600 North, TN 37828-0600 PH: (865) 494-0600	FLOW CONTROL MANIFOLD
---	-----------------------

DATE	8/22/22
DESIGN	MILES M
DRAWN BY	MILES M
SCALE	3/4" = 1'
DWG	D2
SHEET	4 OF 7

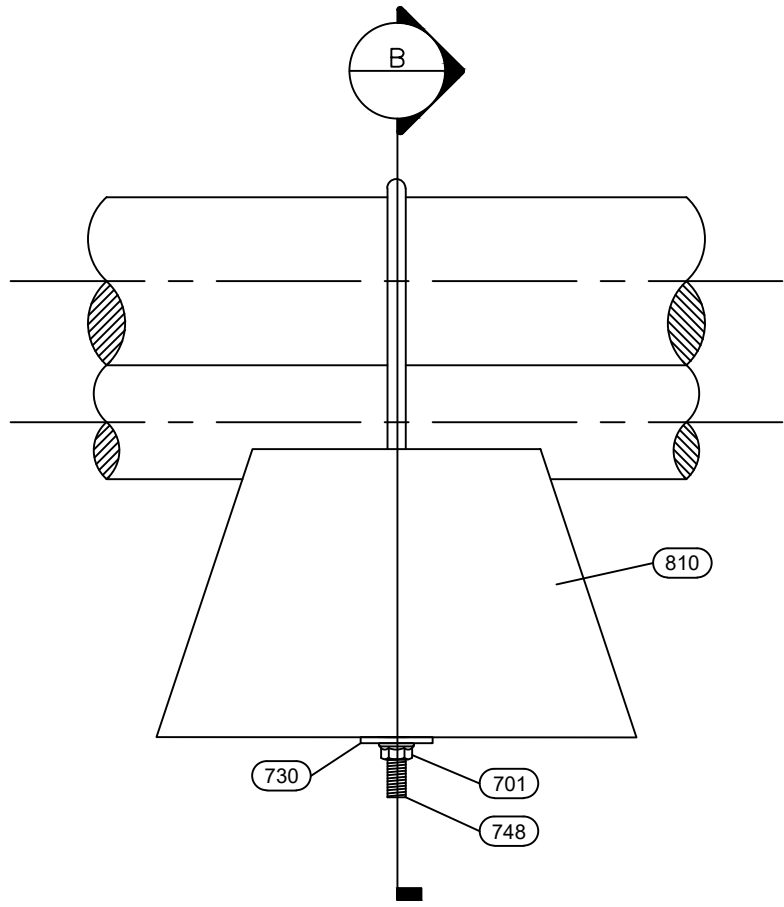
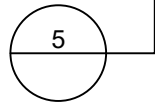
MARK NUMBERS LISTED ON D5

1 2 3 4 5 6

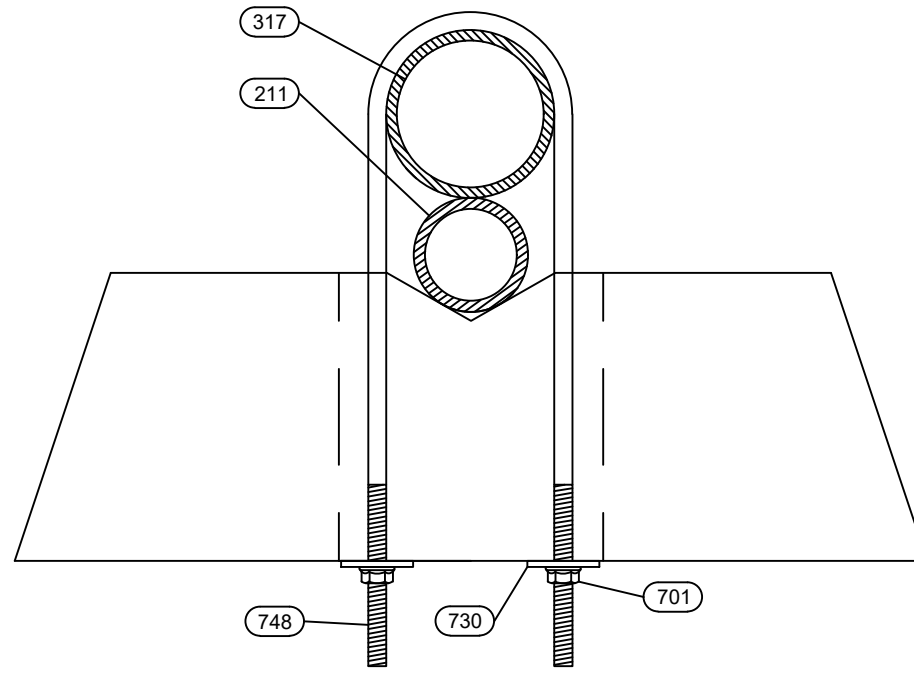


### SUPPLY PIPE OVERVIEW

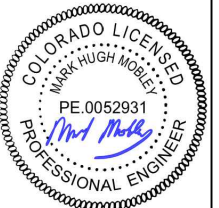
Scale: 1/8" = 1'



5 **SUPPLY ANCHOR - SIDE**  
SCALE: 3" = 1'



B **SUPPLY ANCHOR - FRONT**  
SCALE: 3" = 1'



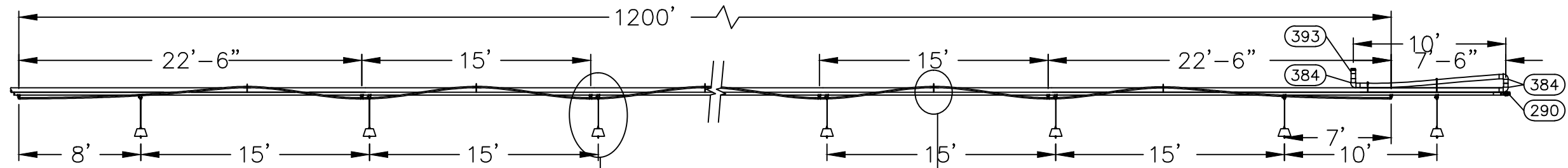
8/22/2022				DATE
CERTIFIED AS BUILT				NO.
				DESCRIPTION
				REVISIONS

CITY OF GRAND JUNCTION  
 JUNIATA RESERVOIR  
 OXYGENATION SYSTEM  
 WHITEWATER, COLORADO

**Moberly Engineering, Inc.**  
 PO Box 600 Norris, TN 37828-0600 PH. (865) 494-0600

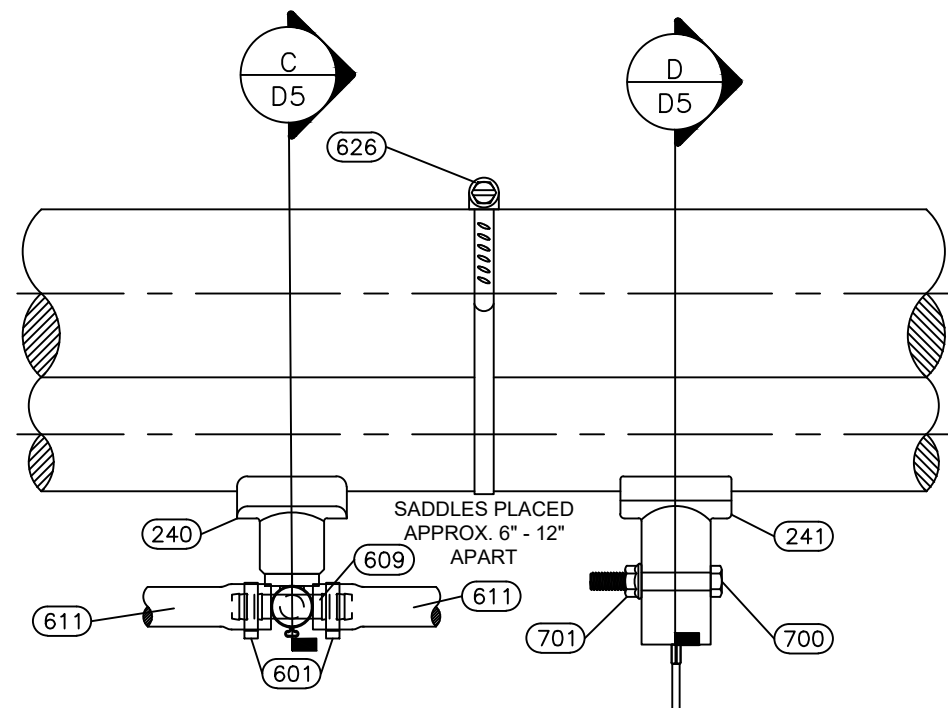
**SUPPLY PIPE OVERVIEW**

DATE	8/22/22
DESIGN	MARK M
DRAWN BY	MILES M
SCALE	VARIABLE
DWG	D3
SHEET	5 OF 7



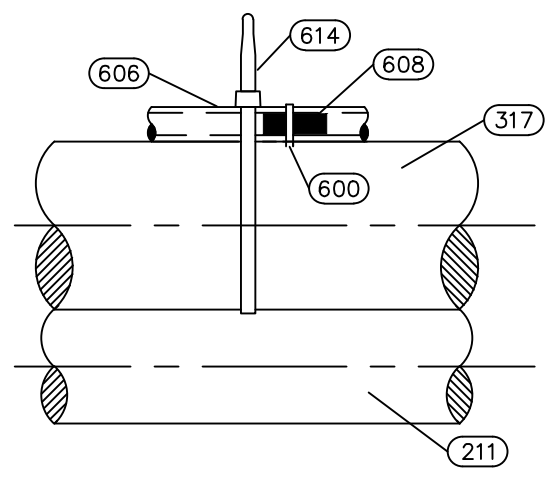
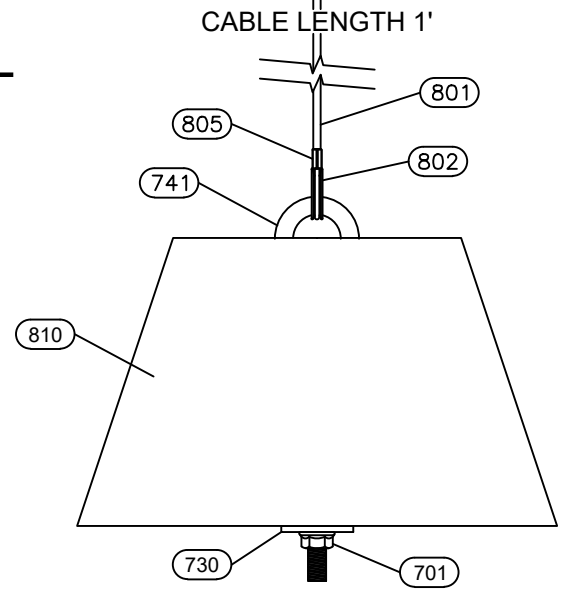
### DIFFUSER OVERVIEW

Scale: 1/8" = 1'



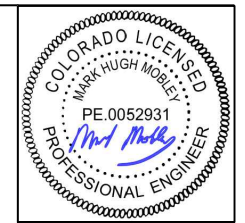
### DIFFUSER DETAIL

Scale: 4" = 1'



### HOSE PLUG DETAIL

Scale: 4" = 1'



8/22/2022										
CERTIFIED AS BUILT										

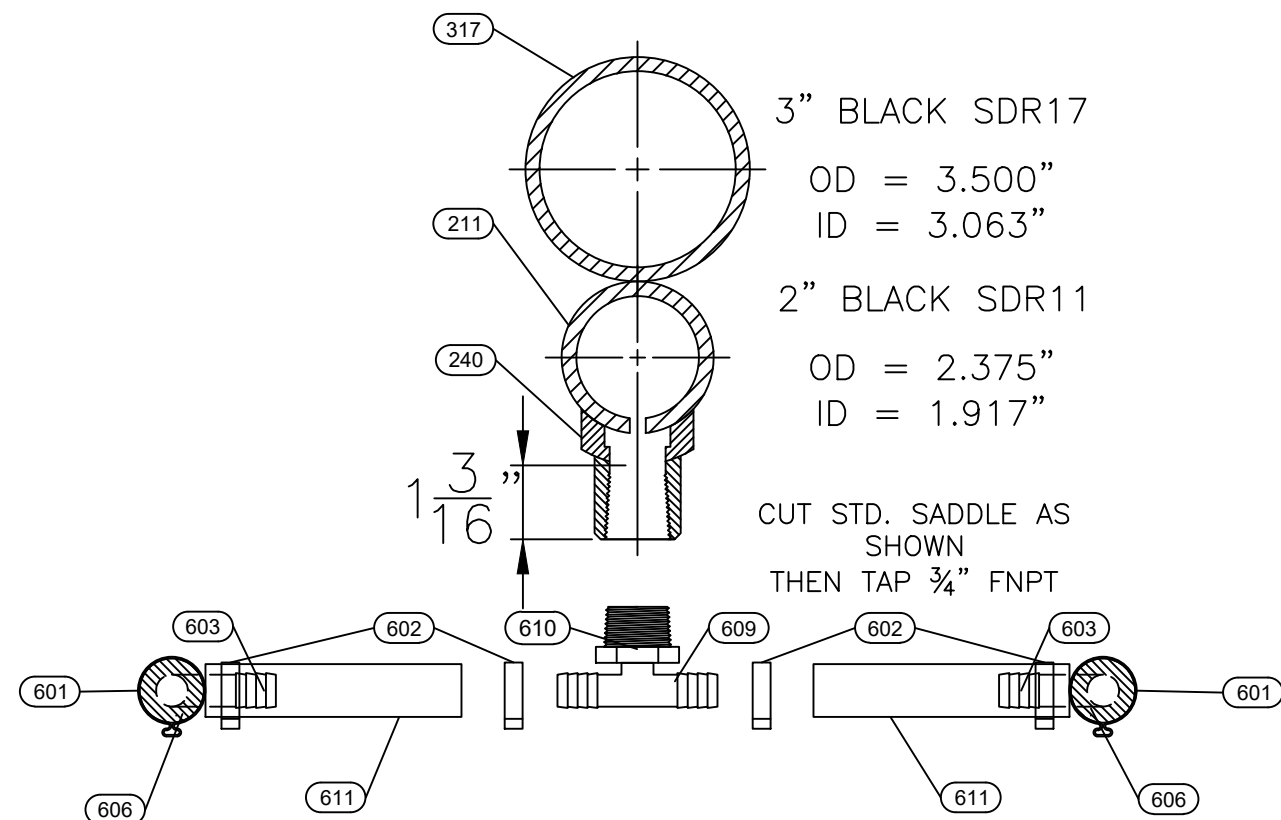
CITY OF GRAND JUNCTION  
 JUNIATA RESERVOIR  
 OXYGENATION SYSTEM  
 WHITEWATER, COLORADO

**Mobley Engineering, Inc.**  
 PO Box 600 North, TN 37828-0600 PH. (865) 494-0600

DIFFUSER OVERVIEW

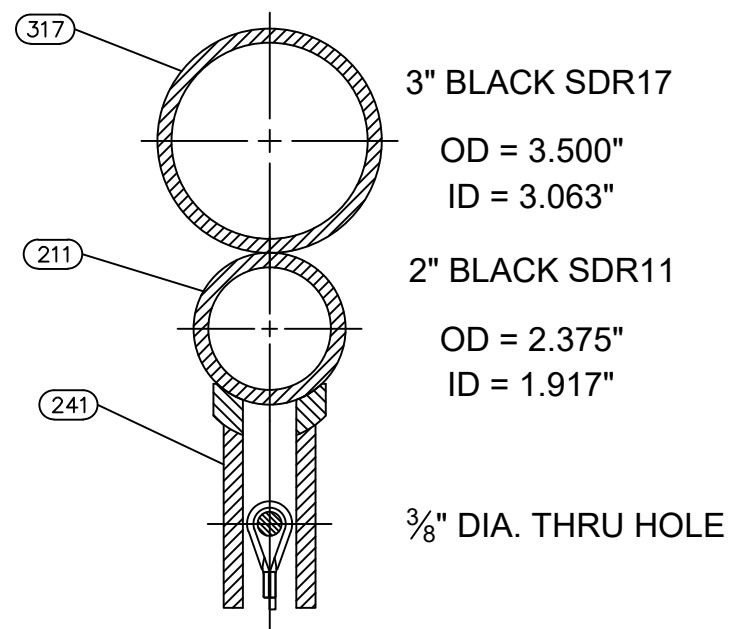
DATE	8/22/22
DESIGN	MARK M
DRAWN BY	MILES M
SCALE	VARIES
DWG	D4
SHEET	6 OF 7

MARK NUMBERS LISTED ON D5



### C HOSE TEE SECTION

D4 SCALE: 4" = 1'



### D ANCHOR SADDLE SECTION

D4 SCALE: 4" = 1'

Mark Numl	Description	REVISIONS
209	2", Polyethylene Pipe, SDR 9, Black, PE4710	
211	2", Polyethylene Pipe, SDR 11, Black, PE4710	
234	2", Elbow, 90, Polyethylene, SDR 11, Black, PE4710	
235	2", Tee, Polyethylene, SDR 11, Black, PE4710	
237	2", Elbow, 90, Polyethylene, SDR 9, Black, PE4710	
240	Service Saddle, 2" x 1/2" IPS Socket, cut and tapped for 3/4" FNPT, Black, PE4710	
241	Service Saddle, 2" x 1/2" IPS Socket, Black, PE4710	
242	2", Butt Weld Stainless to Poly Transition, 304 SS, SDR 11, Black, PE4710	
243	2", MNPT Stainless to Poly Transition, 304 SS, SDR 11, Black, PE4710	
246	2", Butt Weld Stainless to Poly Transition, 304 SS, SDR 9, Black, PE4710	
290	2", Ball Valve, SS	
317	3", Polyethylene Pipe, SDR 17, Black, PE4711	
330	3" x 2", Concentric Reducer, SDR 11, Black, PE4710	
343	3", MNPT Stainless to Poly Transition, 304 SS, SDR 11, Black, PE4710	
384	3", Elbow, 90, Polyethylene, SDR 11, Yellow, PE2708	
393	3", MNPT Stainless to Poly Transition, 304 SS, SDR 11, Yellow, PE2708	
500	1/2" S20, Flow-Tek Series S20, 1/2" FNPT 316 SS Ball Valve, Oxygen Cleaned	
501	1" F15-316 Flow Tek (150100-11000SSRR-NN), Oxygen Cleaned	
502	1" F15-316-V30, SS Ball Valve 30 degree V Port Flanged, Oxygen Cleaned	
503	Pressure gage, stainless steel 0 to 160 psi, Oxygen Cleaned	
504	Pressure gage, stainless steel 0 to 100 psi, Oxygen Cleaned	
505	7480 series rotameter, Oxygen @ 100 PSIG (BP) @ 70 F, 7-72 SCFM, Cleaned for Oxygen Service.	
506	RV1 Series Relief Valve, 1/4" MALE NPT X 1/4" FNPT, Stainless Steel, 120PSI Cracking Range, O2 Cleaned	
507	1/2" MNPT Metal Pneumatic Silencer, Stainless Screen, Aluminum Shell, Oxygen Cleaned	
600	Single Ear Clamps, SS, band width 7 mm, thickness 0.6 mm, size range 15 to 18.5 mm, Oetiker 185R, 304SS	
601	Single Ear Clamps, SS, band width 7 mm, thickness 0.6 mm, size range 17 to 19.8 mm, Oetiker 198R, 304SS	
602	Single Ear Clamps, SS, band width 7 mm, thickness 0.6 mm, size range 21.3 to 24.1 mm, Oetiker 241R, 304SS	
603	Hose Barb Tee, 1/2" Ins x Ins, polyethylene or nylon	
604	Hose Barb Elbow, 1/2" Ins x Ins, polyethylene or nylon	
605	Hose Barb Coupling, 1/2" Ins x Ins, polyethylene or nylon	
606	Porous Hose, 1/2", Mr. Drip.	
608	Solid Rod, 7/16" dia. X 2", Acetal or Delrin®	
609	Branch Tee, 3/4" MNPT X 1/2" INSERT X 1/2" INSERT, NYLON	
610	Strainer screen	
611	Hose, 1/2", 300 psi, Cover: Red EPDM, Tube: Black EPDM, cord reinforced	
614	Cable Tie, 3/8" x 24", Nylon	
626	Worm Screw Clamp #6788-6, band width 1/2", all marine grade 316 stainless steel (4"-6" diam.)	
700	Hex Head Bolt, 3/8 -16 304 SS Hex cap bolts, 2-1/2" long, std. shoulder	
701	Hex Head Nut, 3/8 -16 304 SS Flange nuts	
703	Hex Head Bolt, 3/8" -16 x 1-1/4", 304 SS	
706	Wedge Anchor, 1/2" x 5 1/2", 304 SS w/ nuts and washers	
730	Washer, 3/8 304 SS Fender washer, 1-1/2" OD	
741	Eyebolt, 3/8 x 8, 304SS	
748	U Bolt, 3/8 -16 x 12-1/2 IL x 3-1/2 IW x 3 THRD, 304 SS	
770	1", Stainless Steel Hold Down Clamp, 304/316 Stainless Steel	
780	1-5/8" x 1-5/8", 12 Gage, Slotted, Stainless Steel, P1000T	
787	Post Base, 6" x 6" x 3-1/2", P2072A	
801	Cable, 7 x 7, 3/32", type 304 stainless steel cable	
802	Cable Eye Thimble, type 304 stainless steel for 5/32" cable	
805	Cable Crimp, SS for 3/32" cable	
810	Concrete Anchor, 19" x 10" x 6", 70 lbs.	
1108	1", Stainless Steel Pipe, 304, 80S	
1132	1" x 1/2", Stainless Steel Concentric Reducer, 304, 10S, Butt Weld	
1134	1", Butt weld, Sch 10, 304 SS, 90° Elbow	
1135	1", Butt weld, Sch 10, 304 SS, Tee	
1136	1" x 1/4" FNPT Carbon Steel Threadolet	
1141	1" x 1/2", Threaded Bushing, 304 SS	
1144	1", Butt weld, Sch 40, 304 SS, Type "A", Stub End	
1145	1", 150 #, Raised Face Lap Joint Flange, 304 SS	
1146	1", 150 #, Raised Face Weld Neck Flange, 304 SS	
1148	1", SS Blind Flange	
1165	1", FNPT, 304 SS, Tee	
1236	2", FNPT, Cap, SS	
1239	2" x 1", Stainless Steel Concentric Reducer, 304, 80S, Butt Weld	

DATE	8/22/22
DESIGN	MARK M
DRAWN BY	MILES M
SCALE	VARIES
DWG	D5
SHEET	7 OF 7



NO.	DESCRIPTION	DATE

CITY OF GRAND JUNCTION  
JUNIATA RESERVOIR  
OXYGENATION SYSTEM  
WHITewater, COLORADO

Mobley Engineering, Inc.  
PO Box 600 North, TN 37828-0600 Ph: (865) 494-0600  
DIFFUSER DETAIL CONTINUED  
MARK NUMBERS