


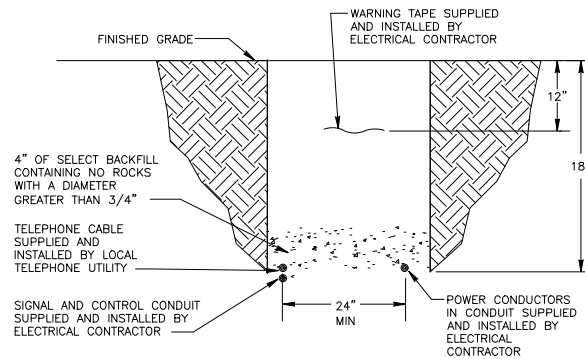


Attachment A

LIGHTING GENERAL NOTES:

1. THIS PROJECT CONSISTS OF WORK TO INSTALL ALL WIRING, CONDUIT, PULL BOXES, NEW LIGHTING, POLES, UTILITY BOXES AND CONCRETE PEDESTALS FOR ADDITION OF TYPE "SA" POLE TOP MOUNTED FIXTURES AS SHOWN IN DRAWINGS.
2. PROVIDE 2' PVC SCHEDULE 80 CONDUIT FROM PANEL "PP1" AS SHOWN IN DRAWINGS TO NEW LIGHT LOCATIONS.
3. LIGHT STANDARD & LUMINARIES (PEDESTRIAN AND STREET LIGHT), SHALL INCLUDE THE FOLLOWING ITEMS FROM ALL PHASE ELECTRIC LOCATED AT 2776 CROSSROADS BLVD, GRAND JUNCTION, CO 81506, 970.245.6031. THE ITEMS NUMBERS ARE AS FOLLOWS.
4. TYPE "SA" - RAB LIGHTING #ALED-5T-78-N-USA, PROVIDE COLLISION BREAK AWAY CONNECTORS. FIXTURE TO BE 10' ABOVE FINISHED GRADE TO BOTTOM OF LIGHT. ORDER WITH P54-11-1OWT POLE.
5. TYPE "SB1" - PHILLIPS GARDCO #GL18-1-4-31OLA-961A-NW-UNV-BLP-LF-ISRPA2, PROVIDE COLLISION BREAK AWAY CONNECTORS. FIXTURE TO HAVE 25' POLE AND 2 FOOT CONCRETE PEDESTAL FOR A TOTAL OF 27' ABOVE FINISHED GRADE TO BOTTOM OF LIGHT, PROVIDE COLLISION BREAK AWAY CONNECTORS. ORDER WITH 5" ROUND POLE 401-5007-25-D1-GARDCO BLACK BAC-1.00-SET(GARDOCC,LYTEP) POLE.
6. TYPE "SB2" - PHILLIPS GARDCO #GL18-2-4-31OLA-961A-NW-UNV-BLP-LF-ISRPA2, PROVIDE COLLISION BREAK AWAY CONNECTORS. FIXTURE TO HAVE 25' POLE AND 2 FOOT CONCRETE PEDESTAL FOR A TOTAL OF 27' ABOVE FINISHED GRADE TO BOTTOM OF LIGHT, PROVIDE COLLISION BREAK AWAY CONNECTORS. ORDER WITH 5" ROUND POLE 401-5007-25-D1-GARDCO BLACK BAC-1.00-SET(GARDOCC,LYTEP) POLE.
7. TYPE "SB4" - PHILLIPS GARDCO #GL18-4-4-31OLA-961A-NW-UNV-BLP-LF-ISRPA2, PROVIDE COLLISION BREAK AWAY CONNECTORS. FIXTURE TO HAVE 25' POLE AND 2 FOOT CONCRETE PEDESTAL FOR A TOTAL OF 27' ABOVE FINISHED GRADE TO BOTTOM OF LIGHT, PROVIDE COLLISION BREAK AWAY CONNECTORS. ORDER WITH 5" ROUND POLE 401-5007-25-D1-GARDCO BLACK BAC-1.00-SET(GARDOCC,LYTEP) POLE.
8. ALL PEDESTRIAN LIGHTING FIXTURES(TYPE "SA") INSTALLED ON THE PROJECT WILL BE CONTROLLED WITH NEW CONTROLLER WITH NEW PHOTO CELL LOCATED AS SHOWN IN DRAWINGS.
9. PULL BOXES FOR CDOT PULL BOXES 11"X18"X12".
10. PULL BOXES WILL BE INSTALLED IN GRADES WITHOUT CONCRETE WHERE POSSIBLE.
11. ALL ELECTRICAL CONDUIT SHALL BE SCHEDULE 80 PVC UNLESS NOTED OTHERWISE, TYPICAL.
12. UNLESS OTHERWISE NOTED, THE WORK DESCRIBED ON THE PLANS SHALL INCLUDE PROVIDING ALL LABOR AND MATERIALS NECESSARY FOR A COMPLETE AND OPERATIONAL ELECTRICAL SYSTEM. FURNISH ALL REQUIRED ITEMS WHETHER SUCH ARE SPECIFICALLY SHOWN OR NOT.
13. INFORMATION SHOWN ON DRAWINGS IS DIAGRAMMATIC ONLY AND SHALL NOT BE SCALED. OBTAIN VERIFY EXACT LOCATIONS, MEASUREMENTS, LEVELS, SPACE REQUIREMENTS, POTENTIAL CONFLICTS AMONG TRADES AND FOR ADJUSTING THE WORK REQUIRED BY THE ACTUAL CONDITIONS OF THE PROJECT. CONTRACTOR IS RESPONSIBLE FOR LOCATING ALL UNDER GROUND OBSTRUCTIONS AND MAKING ALLOWANCES FOR FIELD ADJUSTMENT OF LOCATION OF LUMINARIES TO AVOID SHUT DOWN OF ANY SERVICES OR SYSTEMS THAT ARE TO REMAIN.
14. BEFORE SUBMITTING THE BID ELECTRICAL CONTRACTOR SHALL VISIT AND EXAMINE THE PREMISES AND/OR JOB SITE SO AS TO ASCERTAIN THE EXISTING CONDITIONS IN WHICH THE CONTRACTOR WILL BE OBLIGED TO OPERATE IN PERFORMING HIS PART OF THE CONTRACT TO ANTICIPATE ANY POSSIBLE SPACE RESTRICTIONS OR CONSTRAINTS THAT COULD AFFECT THE TIMELY COMPLETION OF THE ELECTRICAL WORK IN ACCORDANCE WITH THE INTENT OF THE SPECIFICATIONS AND DRAWINGS. THE ELECTRICAL CONTRACTOR SHALL REPORT TO THE THE PROJECT ENGINEER OR GENERAL CONTRACTOR ANY CONDITIONS THAT MIGHT PREVENT THE SPECIFIED ELECTRICAL WORK FROM BEING PERFORMED IN THE MANNER INTENDED. NO CONSIDERATION OR ALLOWANCE WILL BE GRANTED TO THE ELECTRICAL CONTRACTOR FOR FAILURE TO VISIT THE PROJECT SITE, OR FOR ANY ALLEGED MISUNDERSTANDING OF THE MATERIALS TO BE FURNISHED OR WORK TO BE DONE..
15. THE ELECTRICAL CONTRACTOR SHALL EXAMINE THE DRAWINGS OF ALL TRADES WHOSE WORK RELATES TO OR IS DEPENDENT ON ELECTRICAL WORK TO BECOME FULLY INFORMED OF THE EXTENT AND CHARACTER OF THEIR SPECIFIED WORK AND BE ABLE TO COORDINATE WITH OTHER TRADES WHILE AVOIDING POSSIBLE INTERFERENCE WITH THE ELECTRICAL WORK.
16. TRACE ALL CIRCUITS AND UPDATE PANEL SCHEDULES.
17. ONLY AREA LIGHTING WILL BE REPLACED ALL OTHER ITEMS POWERED BY EXISTING POWER PANEL WILL REMAIN POWERED.
18. FIELD LOCATE IRRIGATION CONTROL LINES AND AVOID AND PROTECT DURING CONSTRUCTION, TYPICAL.
19. RESTRICT OPEN TRENCHING OUTSIDE OF DRIP LINE OF EXISTING TREES TO AVOID DAMAGE TO DRIP LINE.
20. UTILIZE DIRECTIONAL BORING AT A MINIMUM DEPTH OF 36 INCHES UNDER THE CANOPY OF EXISTING TREE.
21. ADJUST LOCATION OF NEW LIGHTS WITH EXISTING TREES. COORDINATE EXACT LOCATION WITH OWNER PRIOR TO TRENCHING.

- PP1-X ELECTRICAL CIRCUIT NUMBER (REFER TO PANEL SCHEDULES)
- UB  HEAVY DUTY, TRAFFIC RATED, FLUSH-TO-GRADE POLYMER CONCRETE SPLICE BOX WITH HEAVY DUTY, TRAFFIC RATED, BOLTED COVER, 11"X18"X12" TYPE 1.
-  UNDER GROUND BURIED RACEWAY (2#6 THWN CU AND 1#8 GND) IN 2" PVC CONDUIT (UNLESS NOTED OTHERWISE ON PLANS) IN 24" DEEP TRENCH, BURY AND COMPACTED BACKFILL TO PRE CONSTRUCTION CONDITION.
-  INSTALL POST TOP MOUNTED PEDESTRIAN STANDARD AS SPECIFIED.

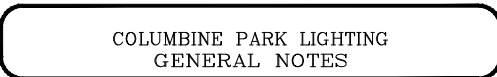


TYPICAL SECONDARY ELECTRICAL TRENCH DETAIL

NOT TO SCALE



REVISION	DESCRIPTION	DATE	DRAWN BY	DATE	SCALE:
REVISION Δ			AJM	4/19/23	
REVISION Δ			DESIGNED BY	4/19/23	
REVISION Δ			CHECKED BY	4/19/23	
REVISION Δ			APPROVED BY	4/19/23	



Attachment A

Schedule of Lighting Devices										
ITEM No.				613-30003	613-40012	613-30004	613-30005	613-30006	613-40011	
DESCRIPTION				LIGHT STANDARD AND LUMINAIRE LED (PEDESTRIAN) EACH	LIGHT STANDARD FOUNDATION SPECIAL EACH	LIGHT STANDARD AND LUMINAIRE LED (PARKING AREA, 1 HEAD) EACH	LIGHT STANDARD AND LUMINAIRE LED (PARKING AREA, 2 HEADS) EACH	LIGHT STANDARD AND LUMINAIRE LED (PARKING AREA, 4 HEADS) EACH	LIGHT STANDARD FOUNDATION SPECIAL EACH	NOTES
SHEET NO.	TYPE	EAST	NORTH	PLAN	PLAN	PLAN	PLAN	PLAN	PLAN	
E4	SA-49	101896.56	41333.02	1	1					1,2,3
E4	SA-50	101583.14	41338.95	1	1					1,2,3
E4	SA-51	101650.92	41338.95	1	1					1,2,3
E4	SA-52	101721.36	41338.95	1	1					1,2,3
E4	SA-53	101786.70	41341.89	1	1					1,2,3
E4	SA-54	101511.27	41338.06	1	1					1,2,3
E4	SA-55	101395.37	41349.34	1	1					1,2,3
E4	SA-56	101461.27	41434.41	1	1					1,2,3
E4	SA-57	101922.51	41456.41	1	1					1,2,3
E4	SA-58	101395.37	41479.34	1	1					1,2,3
E4	SA-59	101716.15	41483.84	1	1					1,2,3
E4	SA-60	101896.89	41519.12	1	1					1,2,3
E4	SA-61	101650.56	41520.40	1	1					1,2,3
E4	SA-62	101444.22	41547.17	1	1					1,2,3
E4	SA-63	101395.37	41552.27	1	1					1,2,3
E4	SA-64	101716.15	41580.02	1	1					1,2,3
E4	SA-65	101532.49	41561.82	1	1					1,2,3
E4	SA-74	101849.14	41484.50	1	1					1,2,3
E4	SB2-66	101614.60	41621.99				1		1	3,4
E4	SB2-70	101657.55	41656.26				1		1	3,4
E4	SB4-67	101799.32	41637.12					1	1	3,4
E4	SB4-69	101473.64	41640.59					1	1	3,4
E4	SB-72	101848.66	41521.47			1			1	3,4
E4	SB-73	101746.44	41521.13			1			1	
E4	SB-75	101930.97	41638.18			1			1	
TABLE TOTALS				18	18	3	2	2	7	

SCHEDULE OF LIGHTING DEVICES NOTES:
 1. FOUNDATION TOP HEIGHT EQUAL TO ADJACENT SIDEWALK
 2. LUMINAIRE LED(78 WATT) IS TO BE INCLUDED IN THE COST OF PAY ITEM 613-30005 LIGHT STANDARD AND LUMINAIRE (PEDESTRIAN)
 3. FOUNDATION TOP HEIGHT AS SHOWN IN DETAIL.
 4. REFERENCE LIGHTING SCHEDULE FOR QUANTITY OF LIGHTS ON POLE

Tabulation of Approximate Quantities					
Item No.	Ref. No.	Construction Note Description	Quantity	Unit	NOTES
1		2 Inch Electrical Conduit (Plastic)	2597	LF	
2		Type two Pull Box(Electric)	27	EA	
3		Wiring	1	LS	
4	613-40012	Light Standard and Luminaire (Pedestrian)	18	EA	
5	613-30003	Light Standard Foundation (Special PEDESTRIAN)	18	EA	
6	613-30004	Light Standard and Luminaire (PARKING AREA)	3	EA	
7	613-30005	Light Standard and Luminaire (PARKING AREA)	2	EA	
8	613-30006	Light Standard and Luminaire (PARKING AREA)	2	EA	
9	613-40011	Light Standard Foundation (SpecialPARKING AREA)	7	EA	

SUMMARY NOTES:

GENERAL NOTES:

- EACH LIGHT TO HAVE A PULL BOX "UB", REFERENCE ELECTRICAL SHEETS.



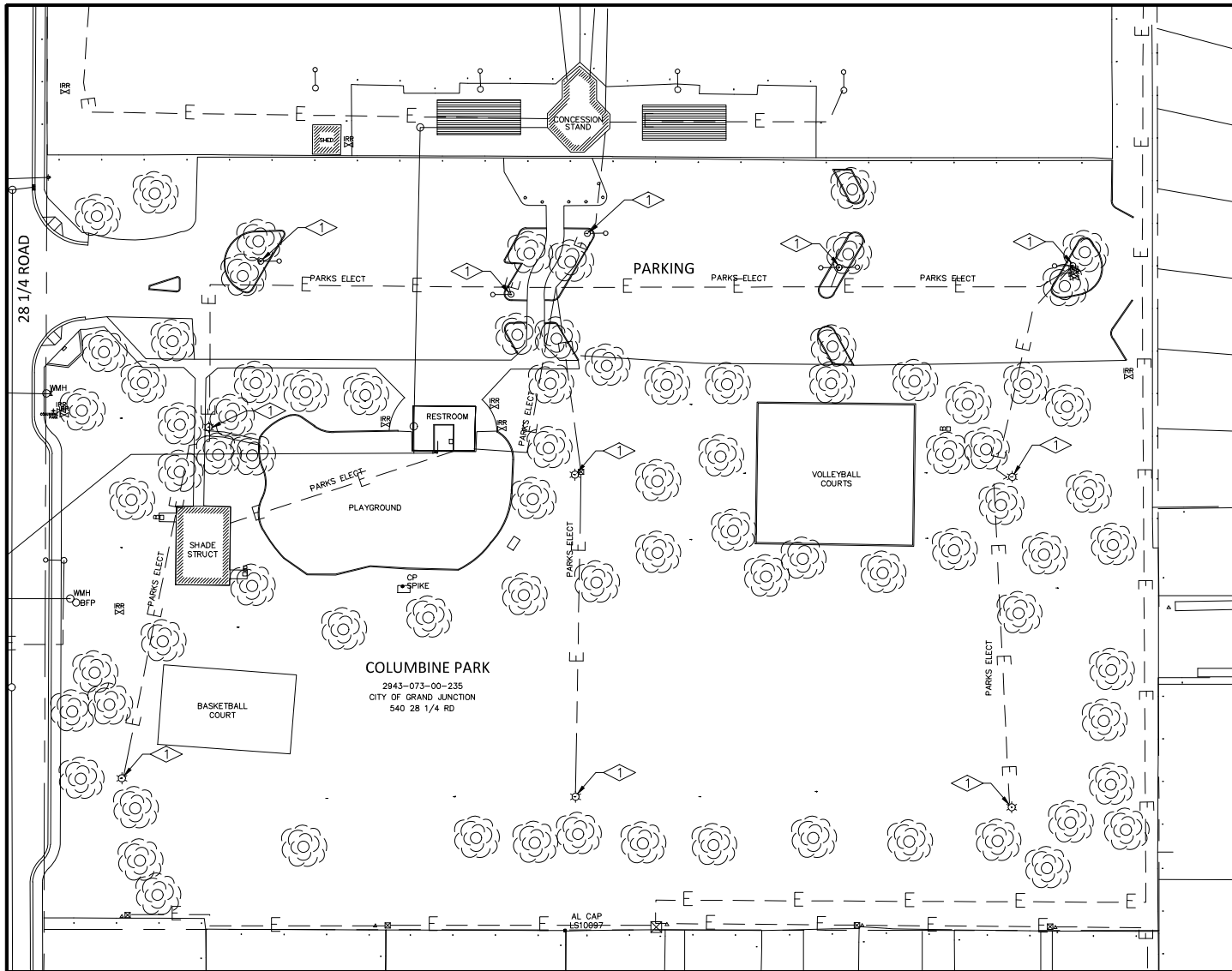
ACM CONSULTING
 ELECTRICAL DESIGN, CONSULTING
 ENGINEERS; PH: 970-245-7292
 PO 3211 GRAND JCT., CO 81502
 EMAIL: joelm@ACMengr.com

REVISION	DESCRIPTION	DATE	DRAWN BY	DATE
REVISION Δ			AJM	4/19/23
REVISION Δ			AJM	4/19/23
REVISION Δ			AJM	4/19/23
REVISION Δ			EM	4/19/23



PUBLIC WORKS
 ENGINEERING DIVISION

COLUMBINE PARK LIGHTING
 QUANTITIES SCHEDULES



FLAG NOTES:

- ① REMOVE EXISTING LIGHT, POLE AND PEDESTAL. ABANDON EXISTING WIRING.

GENERAL NOTES:

1. POWER CIRCUIT AS SHOWN ON DRAWING, TYPICAL.
2. FIELD LOCATE IRRIGATION CONTROL LINES AND AVOID AND PROTECT DURING CONSTRUCTION, TYPICAL.
3. RESTRICT OPEN TRENCHING OUTSIDE OF DRIP LINE OF EXISTING TREES TO AVOID DAMAGE TO DRIP LINE.
4. UTILIZE DIRECTIONAL BORING AT A MINIMUM DEPTH OF 36 INCHES UNDER THE CANOPY OF EXISTING TREE.
5. ADJUST LOCATION OF NEW LIGHTS WITH EXISTING TREES. COORDINATE EXACT LOCATION WITH OWNER PRIOR TO TRENCHING.



ACM CONSULTING
 ELECTRICAL DESIGN CONSULTING
 ENGINEERS; PH: 970-245-7292
 PO 3211 GRAND JCT., CO 81502
 EMAIL: joalm@ACMengr.com

EXISTING LIGHTING PLAN
 SCALE: 1"=60'

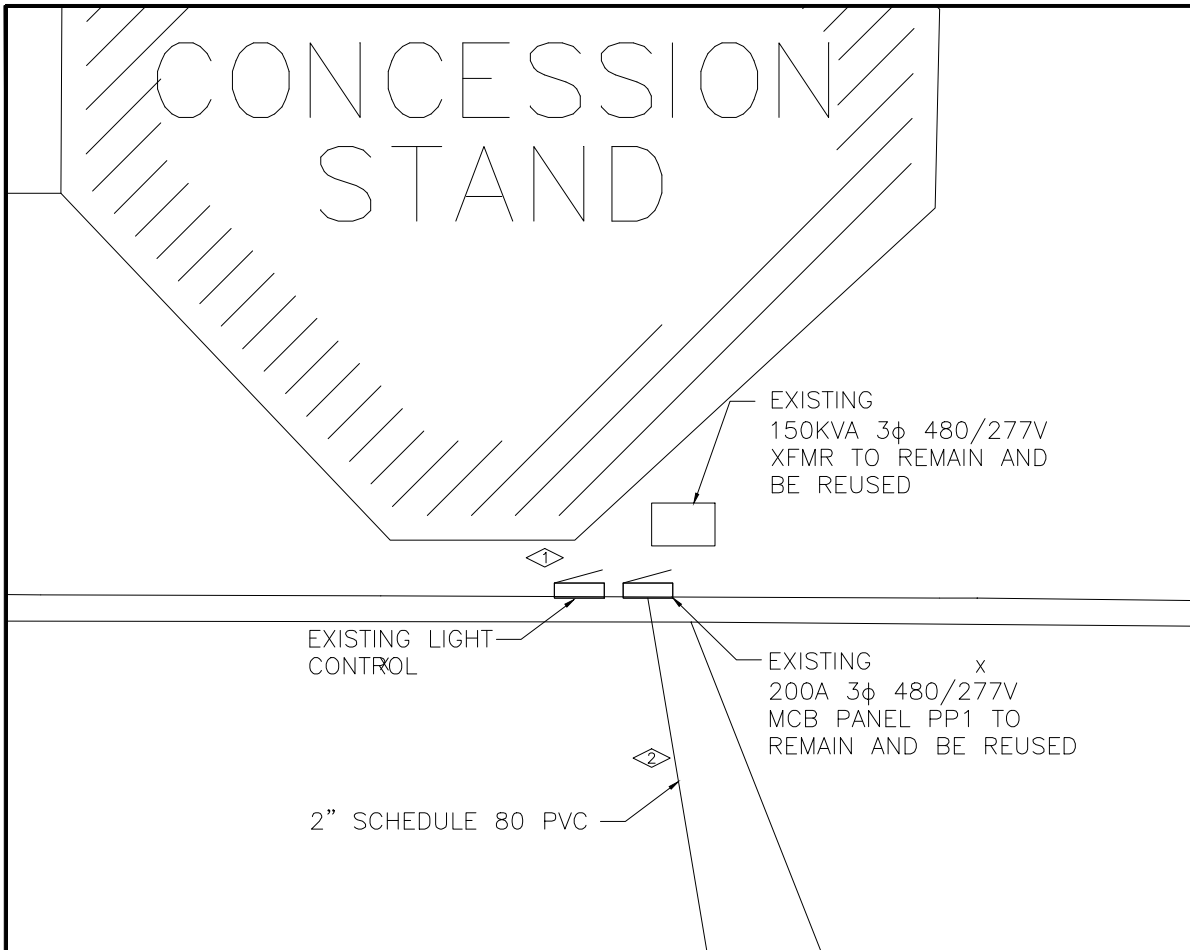
REVISION	DESCRIPTION	DATE	DRAWN BY	DATE
REVISION			AJM	4/19/23
REVISION			AJM	4/19/23
REVISION			AJM	4/19/23
REVISION			EM	4/19/23

SCALES:
PLAN & PROFILE
0 10 20
HORIZONTAL
0 5 10
VERTICAL

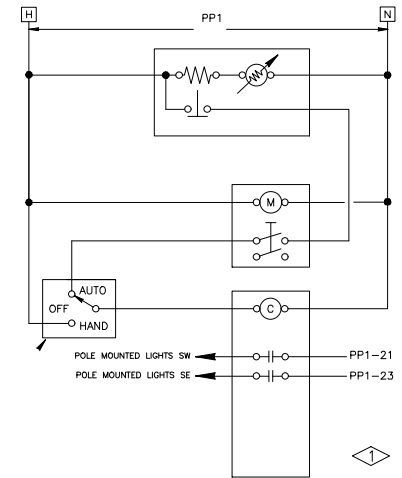


**PUBLIC WORKS
 ENGINEERING DIVISION**

**COLUMBINE PARK LIGHTING
 EXISTING LIGHTING PLAN**



- FLAG NOTES:**
- ① REUSE EXISTING LIGHTING CONTROLLER, RELAYS AND PHOTOCELL.
 - ② REUSE EXISTING CONDUIT IF POSSIBLE FOR NEW FEEDS TO NEW LIGHTS OTHERWISE DIRECTIONAL BORE TO LIGHT LOCATIONS. FIELD VERIFY BORING LOCATIONS AND DIRECTIONS WITH OWNER PRIOR TO START OF BORING, TYPICAL.



TYPICAL LIGHTING CONTROL SCHEMATIC

NOT TO SCALE

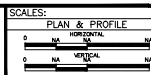
NEW ELECTRICAL PLAN

SCALE: N.T.S.



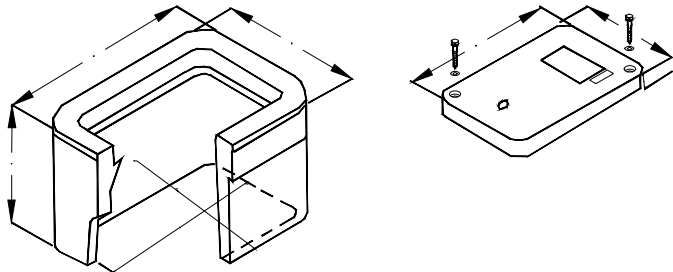
ACM CONSULTING
ELECTRICAL DESIGN CONSULTING
ENGINEERS; PH: 970-245-7292
PO 3211 GRAND JCT., CO 81502
EMAIL: joelm@ACMengr.com

REVISION	DESCRIPTION	DATE	DRAWN BY	DATE	DESIGNED BY	DATE	CHECKED BY	DATE	APPROVED BY	DATE
REVISION Δ			AJM	4/19/23	AJM	4/19/23	AJM	4/19/23	EM	4/19/23
REVISION Δ										
REVISION Δ										



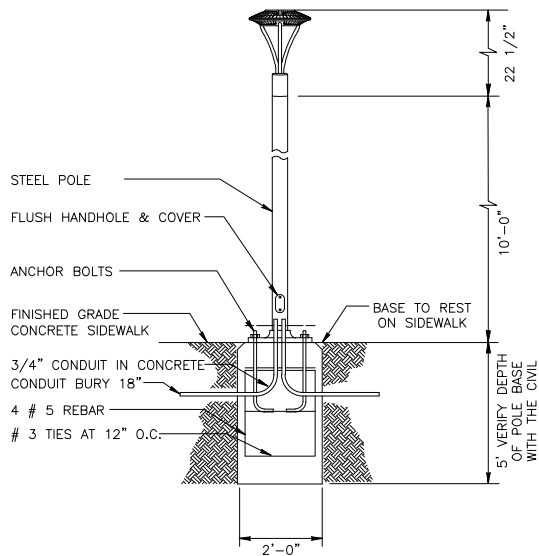
PUBLIC WORKS
ENGINEERING DIVISION

COLUMBINE PARK LIGHTING
NEW ELECTRICAL PLAN



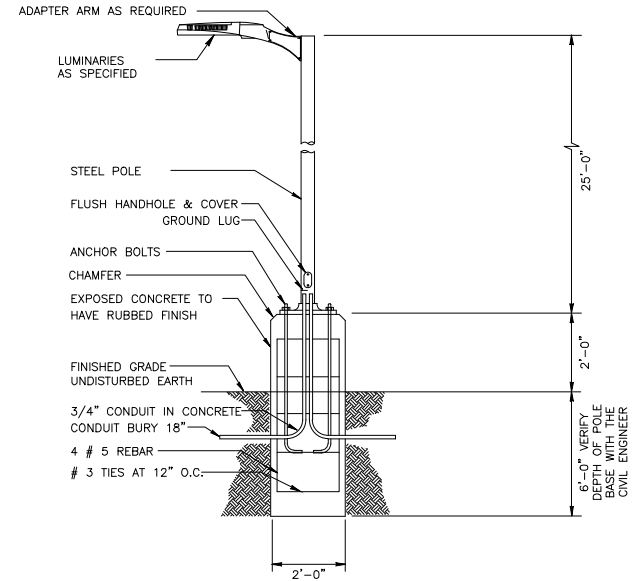
1. PULL BOXES, PULL BOX COVERS AND EXTENSIONS SHALL BE MADE OF FIBERGLASS REINFORCED POLYMER CONCRETE. PULL BOXES SHALL BE VERIFIED BY A 3RD PARTY NATIONALLY RECOGNIZED INDEPENDENT TESTING LABORATORY AS MEETING ALL TEST PROVISIONS OF THE LATEST ANSI/SCTE 77 SPECIFICATION FOR UNDERGROUND ENCLOSURE INTEGRITY, TIER 22 RATING. CERTIFICATION DOCUMENTS SHALL BE SUBMITTED WITH MATERIALS SUBMITTALS. THE PULL BOX SHALL HAVE A DETACHABLE COVER WITH A SKID RESISTANT SURFACE AND HAVE THE WORDS ELECTRICAL CAST INTO THE SURFACE. PAINTING THE WORDS SHALL NOT BE ACCEPTED. MARKINGS SHOWING THE TIER 22 RATING MUST BE LABELED OR STENCILED ON THE INSIDE AND OUTSIDE OF THE BOX AND THE ON THE UNDER SIDE OF THE COVER. THE COVER SHALL BE ATTACHED TO THE PULL BOX BODY BY MEANS OF A MINIMUM 3/8" - 7 UNIFIED NATIONAL COURSE (UNC) STAINLESS STEEL PENTA HEAD BOLTS AND SHALL HAVE TWO LIFT SLOTS TO AID IN THE REMOVAL OF THE LID.
2. PULL SLOTS SHALL BE RATED FOR A MINIMUM PULL OUT OF 3,000 POUNDS. MAGNESIUM CHLORIDE TESTS SHOULD BE PERFORMED IN ACCORDANCE WITH THE LATEST ANSI/SCTE 77 SPECIFICATION FOR UNDERGROUND ENCLOSURE INTEGRITY, TIER 22 RATING.
3. PROVIDE AT LEAST 6 INCHES OF PEA GRAVEL MEASURED FROM BOTTOM OF PULL BOX FOR DRAINAGE. PEA GRAVEL IS INCLUDED IN PULL BOX PAY ITEM.
- A 18-1/8"
 B 11-1/4"
 C 1-1/4"
 D 20-1/2"
 E 13-3/8"
 F 12"
 G 15-3/4"
 H 8-7/8"

C UTILITY BOX DETAIL
 1 NOT TO SCALE



TYPE SA LIGHT DETAIL

NOT TO SCALE



TYPE SB LIGHT DETAIL

NOT TO SCALE

GENERAL LIGHTING NOTES:

1. ELECTRICAL CONTRACTOR TO ORDER ALL REQUIRED HARDWARE FOR MOUNTING OF EACH LUMINARIES.
2. VERIFY THE BURY DEPTH AND DIAMETER OF THE SONOTUBE FOR POLE LUMINARIES WITH THE CIVIL ENGINEER PRIOR TO PURCHASING THE EQUIPMENT. DEPTH WILL DEPEND ON SOIL CONDITIONS. TYPICAL CONCRETE DEPTH IS 6 FT. VERIFY WITH CIVIL ENGINEER.
3. ELECTRICAL CONTRACTOR TO VERIFY THAT ALL FIXTURES TO COMPLY WITH LIGHT TRESPASS AND AND DARK SKY CODES.
4. NOTIFY ENGINEER OF ANY OBSTRUCTIONS TO POLE PLACEMENT IMMEDIATELY BEFORE PROCEEDING.
5. VERIFY REQUIRED VOLTAGE OF FOR EACH LUMINARIES WITH AVAILABLE VOLTAGES PRIOR TO ORDERING.

LUMINAIRE SCHEDULE

TYPE	MANUFACTURER MODEL NUMBER	APPROVAL	VOLTAGE MOUNTING # OF LAMPS	BALLAST LAMPE TYPE LAMP CAT. #	DESCRIPTION
SA	RAB LIGHTING ALED-5T-78-N-USA	OWNER REQUESTED	UNV POLE 1	ELECTRONIC LED 78 W	PEDESTRIAN LUMINAIRE, POST TOP MOUNTED, LED,. COLOR OF POLE AND LUMINAIRE TO MATCH, TYPICAL.
SB	PHILIPS GARDCO GL18-1-4-310-961A-NW-UNV-BLP-LF-RPA2	OWNER REQUESTED	UNV POLE 1	ELECTRONIC LED 310W	POLE MOUNTED AREA LUMINAIRE ORDER WITH 25' POLE, #401-5007-25-D1 GARDCO BLACK BAC-1.00-SET(GARDCO,LYTEP). POLE FINISH TO MATCH LUMINAIRE FINISH
SB2	PHILIPS GARDCO GL18-2-4-310-961A-NW-UNV-BLP-LF-RPA2	OWNER REQUESTED	UNV POLE 2	ELECTRONIC LED 310W	POLE MOUNTED AREA LUMINAIRE ORDER WITH 25' POLE, #401-5007-25-D1 GARDCO BLACK BAC-1.00-SET(GARDCO,LYTEP). POLE FINISH TO MATCH LUMINAIRE FINISH
SB4	PHILIPS GARDCO GL18-4-4-230LA-9680-NW-UNV-BLP-LF-RPA2	OWNER REQUESTED	UNV POLE 4	ELECTRONIC LED 230W	POLE MOUNTED AREA LUMINAIRE ORDER WITH 25' POLE, #401-5007-25-D1 GARDCO BLACK BAC-1.00-SET(GARDCO,LYTEP). POLE FINISH TO MATCH LUMINAIRE FINISH



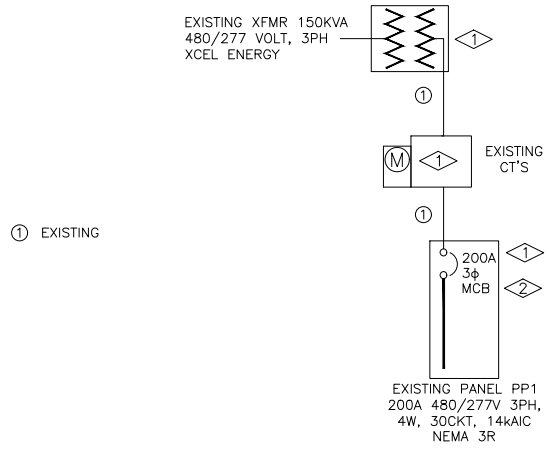
ACM CONSULTING
 ELECTRICAL DESIGN CONSULTING
 ENGINEERS; PH: 970-245-7292
 PO 3211 GRAND JCT., CO 81502
 EMAIL: joalm@ACMengr.com

REVISION	DESCRIPTION	DATE	DRAWN BY	DATE	DESIGNED BY	DATE	CHECKED BY	DATE	APPROVED BY	DATE
REVISION			AJM	4/19/23	AJM	4/19/23	AJM	4/19/23	EM	4/19/23



PUBLIC WORKS
 ENGINEERING DIVISION

COLUMBINE PARK LIGHTING
 COMPOSITE UTILITY PLAN



- FLAG NOTES:**
- ① EXISTING TO REMAIN AND BE REUSED.
 - ② PROVIDE NEW GE TEY120, 20 AMP 277V 1φ 14KAIC BREAKER TO FEED VOLLEY BALL COURT LIGHTS.

A
1 EXISTING ONE-LINE DIAGRAM
NOT TO SCALE

GENERAL NOTES:

1. IN AS MUCH AS DESIGN REQUIRES THAT CERTAIN ASSUMPTIONS BE MADE REGARDING EXISTING CONDITIONS, AND BECAUSE SOME OF THESE ASSUMPTIONS CANNOT BE VERIFIED, FIELD COORDINATION DURING CONSTRUCTION SERVICES IS IMPERATIVE. CONTRACTORS BIDDING THIS WORK MUST MAKE REASONABLE ALLOWANCES FOR UNFORESEEN CONTINGENCIES.
2. THE SERVING ELECTRICAL ASSOCIATION SHALL ADVISE THE OWNER/ENGINEER PRIOR TO SERVICE MODIFICATION REQUIRING COST TO THE OWNER.
3. COORDINATE INSTALLATION WITH XCEL ENERGY PRIOR TO ROUGH-IN.
4. REFERENCE CIVIL, LANDSCAPE AND IRRIGATION DRAWING PLANS FOR COORDINATION AND LOCATION OF ALL UNDER GROUND SYSTEMS.
5. ALL WORK SHALL BE COORDINATED WITH OTHER TRADES AS REQUIRED: REFERENCE CIVIL LANDSCAPE AND IRRIGATION DRAWINGS.
6. ALL WIRING IS SHOWN DIAGRAMMATICALLY ON DRAWINGS, FIELD VERIFY ALL CONDITIONS PRIOR TO ROUGH-IN.
7. ALL ELECTRICAL WORK SHALL COMPLY WITH THE LATEST EDITION OF NATIONAL ELECTRICAL CODE AND ALL APPLICABLE LOCAL CODES.
8. CONDUCTOR COUNT IS SHOWN FOR REFERENCE ONLY. CONTRACTOR SHALL ENSURE THAT ANY AND ALL DEVICES AND EQUIPMENT ARE CIRCUITED PROPERLY. CONTRACTOR SHALL ENSURE THAT NO EQUIPMENT OR DEVICES ARE COMBINED OTHER THAN WHAT IS DEPICTED.
9. FIELD VERIFY ALL DIMENSIONS, DO NOT SCALE DRAWINGS.
10. COORDINATE INSTALLATION OF METER AND ELECTRICAL REQUIREMENTS WITH XCEL ENERGY.
11. PEDESTAL MUST MEET ALL XCEL ENERGY REQUIREMENTS I.E. COLD SEQUENCE PADLOCK SLIP LATCH ON METER COVER, HOLD OPEN BAR ON METER HOOD.



ACM CONSULTING
ELECTRICAL DESIGN, CONSULTING
ENGINEERS; PH: 970-245-7292
PO 3211 GRAND JCT., CO 81502
EMAIL: joelm@ACMengr.com

REVISION	DESCRIPTION	DATE	DRAWN BY	DATE	DESIGNED BY	DATE	CHECKED BY	DATE	APPROVED BY	DATE	SCALES:
REVISION Δ			AJM	4/19/23	AJM	4/19/23	AJM	4/19/23	EM	4/19/23	
REVISION Δ											
REVISION Δ											
REVISION Δ											



PUBLIC WORKS
ENGINEERING DIVISION

COLUMBINE PARK LIGHTING
ONE-LINE PLAN

Attachment A

DC AMPS P	NOTES	DESCRIPTION	DEMAND CODE	VA	CKT	PHASE A	LOADS B	VA C	CKT	VA	DEMAND CODE	DESCRIPTION	NOTES	DC AMPS P
40 2		E1	LTS	7200	1	7200	7200	2	7200	LTS	W1			40 2
40 2		E2	LTS	7200	5	7200	7200	6	7200	LTS	W2			40 2
40 2		E3	LTS	7200	9	7200	7200	10	7200	LTS	W3			40 2
40 2		E4	LTS	9600	13	8400	7200	14	7200	LTS	W4			40 2
50 2		W&E 5	LTS	12000	17	9600	9600	18	7200	LTS	W&E 6			40 2
30 2		LTS PARK	LTS	4320	21	7920	7920	22	11520	LTS	XFMR 120/240			40 2
70 2		OLD PUMP	GENERAL	15360	25	11837	9917	26	12471	GENERAL	RR BUILDINGS			60 3
60 2		HOT WATER	LTS	11520	29	5760	9917	30						60 2
0 1		SPACE	SPACE	0	33	0	0	34						0 1
0 1		SPACE	SPACE	0	35	0	0	36						0 1
0 1		SPACE	SPACE	0	37	0	0	38						0 1
0 1		SPACE	SPACE	0	39	0	0	40						0 1
0 1		SPACE	SPACE	0	41	0	0	42						0 1
ALL CONNECTED		KVA	3P AVE AMPS	* PHASE TOTALS		VA	AMPS	BUS TOTALS		KVA				
TOTAL CONNECTED		134.39	161.6	* A-N		49996.9	180.4	CONNECTED		135.59	DATE: Apr 19, 2023			
TOTAL DEMAND		161.03	193.7	* B-N		42556.9	153.6	DEMAND		162.23	TIME: 09:55:49			
TOTAL DESIGN		194.33	233.7	* C-N		41836.9	151.0	DESIGN		195.53				

EXISTING PANEL SCHEDULE DETAIL

NOT TO SCALE

DC AMPS P	NOTES	DESCRIPTION	DEMAND CODE	VA	CKT	PHASE A	LOADS B	VA C	CKT	VA	DEMAND CODE	DESCRIPTION	NOTES	DC AMPS P
40 2		E1	LTS	7200	1	7200	7200	2	7200	LTS	W1			40 2
40 2		E2	LTS	7200	5	7200	7200	6	7200	LTS	W2			40 2
40 2		E3	LTS	7200	9	7200	7200	10	7200	LTS	W3			40 2
40 2		E4	LTS	9600	13	8400	7200	14	7200	LTS	W4			40 2
50 2		W&E 5	LTS	12000	17	9600	9600	18	7200	LTS	W&E 6			40 2
30 1		LTS PARK SW	LTS	4960	21	9600	9600	22	11520	LTS	XFMR 120/240			40 2
30 1		LTS PARK SE	LTS	4960	23	10720	10720	24	11520	LTS	XFMR 120/240			40 2
70 2		OLD PUMP	GENERAL	15360	25	11837	9917	26	12471	GENERAL	RR BUILDINGS			60 3
60 2		HOT WATER	LTS	11520	29	5760	9917	30						60 2
20 1		LTS-VOLLEY BALL	SPACE	620	33	620	0	34						0 1
0 1		SPACE	SPACE	0	35	0	0	36						0 1
0 1		SPACE	SPACE	0	37	0	0	38						0 1
0 1		SPACE	SPACE	0	39	0	0	40						0 1
0 1		SPACE	SPACE	0	41	0	0	42						0 1
ALL CONNECTED		KVA	3P AVE AMPS	* PHASE TOTALS		VA	AMPS	BUS TOTALS		KVA				
TOTAL CONNECTED		140.61	169.1	* A-N		49996.9	180.4	CONNECTED		141.81				
TOTAL DEMAND		168.65	202.9	* B-N		45976.9	165.9	DEMAND		169.85				
TOTAL DESIGN		203.70	245.0	* C-N		44636.9	161.1	DESIGN		204.90				

NEW PANEL SCHEDULE DETAIL

NOT TO SCALE

FLAG NOTES:

- ① TRACE CIRCUITS AND PROVIDE NEW UPDATED PANEL SCHEDULE, TYPICAL.
- ② PROVIDE NEW GE TEY120, 20 AMP 277V 1φ 14kAIC BREAKER TO FEED VOLLEY BALL COURT LIGHTS.



REVISION	DESCRIPTION	DATE	DRAWN BY	DATE	SCALE:
REVISION			AJM	4/19/23	
REVISION			AJM	4/19/23	
REVISION			AJM	4/19/23	
REVISION			EM	4/19/23	





PUBLIC WORKS
ENGINEERING DIVISION

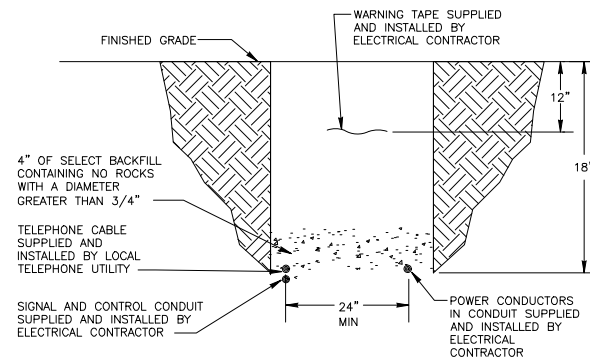
COLUMBINE PARK LIGHTING
PANEL SCHEDULES PLAN

Attachment A

LIGHTING GENERAL NOTES:

1. THIS PROJECT CONSISTS OF WORK TO INSTALL ALL WIRING, CONDUIT, PULL BOXES, NEW LIGHTING, POLES, UTILITY BOXES AND CONCRETE PEDESTALS FOR ADDITION OF TYPE "SA" POLE TOP MOUNTED FIXTURES AS SHOWN IN DRAWINGS.
2. PROVIDE 2" PVC SCHEDULE 80 CONDUIT FROM PANEL "PP1" AS SHOWN IN DRAWINGS TO NEW LIGHT LOCATIONS.
3. LIGHT STANDARD & LUMINARIES (PEDESTRIAN AND STREET LIGHT), SHALL INCLUDE THE FOLLOWING ITEMS FROM ALL PHASE ELECTRIC LOCATED AT 2776 CROSSLANDS BLVD, GRAND JUNCTION, CO 81506, 970.245.6031. THE ITEMS NUMBERS ARE AS FOLLOWS.
4. TYPE "SA" - RAB LIGHTING #ALED-5T-78-N-USA, PROVIDE COLLISION BREAK AWAY CONNECTORS. FIXTURE TO BE 10' ABOVE FINISHED GRADE TO BOTTOM OF LIGHT. ORDER WITH P54-11-10WT POLE
5. ALL PEDESTRIAN LIGHTING FIXTURES (TYPE "SA") INSTALLED ON THE PROJECT WILL BE CONTROLLED WITH NEW LIGHTING CONTROLLER WITH NEW PHOTO CELL LOCATED AS SHOWN IN DRAWINGS.
6. PULL BOXES FOR CDOT PULL BOXES 11"X18"X12".
7. PULL BOXES WILL BE INSTALLED IN GRADES WITHOUT CONCRETE WHERE POSSIBLE.
8. ALL ELECTRICAL CONDUIT SHALL BE SCHEDULE 80 PVC UNLESS NOTED OTHERWISE, TYPICAL.
9. UNLESS OTHERWISE NOTED, THE WORK DESCRIBED ON THE PLANS SHALL INCLUDE PROVIDING ALL LABOR AND MATERIALS NECESSARY FOR A COMPLETE AND OPERATIONAL ELECTRICAL SYSTEM. FURNISH ALL REQUIRED ITEMS WHETHER SUCH ARE SPECIFICALLY SHOWN OR NOT.
10. INFORMATION SHOWN ON DRAWINGS IS DIAGRAMMATIC ONLY AND SHALL NOT BE SCALED. OBTAIN VERIFY EXACT LOCATIONS, MEASUREMENTS, LEVELS, SPACE REQUIREMENTS, POTENTIAL CONFLICTS AMONG TRADES AND FOR ADJUSTING THE WORK REQUIRED BY THE ACTUAL CONDITIONS OF THE PROJECT. CONTRACTOR IS RESPONSIBLE FOR LOCATING ALL UNDER GROUND OBSTRUCTIONS AND MAKING ALLOWANCES FOR FIELD ADJUSTMENT OF LOCATION OF LUMINARIES TO AVOID SHUT DOWN OF ANY SERVICES OR SYSTEMS THAT ARE TO REMAIN.
11. BEFORE SUBMITTING THE BID ELECTRICAL CONTRACTOR SHALL VISIT AND EXAMINE THE PREMISES AND/OR JOB SITE SO AS TO ASCERTAIN THE EXISTING CONDITIONS IN WHICH THE CONTRACTOR WILL BE OBLIGED TO OPERATE IN PERFORMING HIS PART OF THE CONTRACT TO ANTICIPATE ANY POSSIBLE SPACE RESTRICTIONS OR CONSTRAINTS THAT COULD AFFECT THE TIMELY COMPLETION OF THE ELECTRICAL WORK IN ACCORDANCE WITH THE INTENT OF THE SPECIFICATIONS AND DRAWINGS. THE ELECTRICAL CONTRACTOR SHALL REPORT TO THE THE PROJECT ENGINEER OR GENERAL CONTRACTOR ANY CONDITIONS THAT MIGHT PREVENT THE SPECIFIED ELECTRICAL WORK FROM BEING PERFORMED IN THE MANNER INTENDED. NO CONSIDERATION OR ALLOWANCE WILL BE GRANTED TO THE ELECTRICAL CONTRACTOR FOR FAILURE TO VISIT THE PROJECT SITE, OR FOR ANY ALLEGED MISUNDERSTANDING OF THE MATERIALS TO BE FURNISHED OR WORK TO BE DONE..
12. THE ELECTRICAL CONTRACTOR SHALL EXAMINE THE DRAWINGS OF ALL TRADES WHOSE WORK RELATES TO OR IS DEPENDENT ON ELECTRICAL WORK TO BECOME FULLY INFORMED OF THE EXTENT AND CHARACTER OF THEIR SPECIFIED WORK AND BE ABLE TO COORDINATE WITH OTHER TRADES WHILE AVOIDING POSSIBLE INTERFERENCE WITH THE ELECTRICAL WORK.
13. ONLY AREA LIGHTING WILL BE REPLACED ALL OTHER ITEMS POWERED BY EXISTING POWER PANEL WILL REMAIN POWERED.
14. FIELD LOCATE IRRIGATION CONTROL LINES AND AVOID AND PROTECT DURING CONSTRUCTION, TYPICAL.
15. RESTRICT OPEN TRENCHING OUTSIDE OF DRIP LINE OF EXISTING TREES TO AVOID DAMAGE TO DRIP LINE.
16. UTILIZE DIRECTIONAL BORING AT A MINIMUM DEPTH OF 36 INCHES UNDER THE CANOPY OF EXISTING TREE.
17. ADJUST LOCATION OF NEW LIGHTS WITH EXISTING TREES. COORDINATE EXACT LOCATION WITH OWNER PRIOR TO TRENCHING.

- PP1-X ELECTRICAL CIRCUIT NUMBER (REFER TO PANEL SCHEDULES)
- UB HEAVY DUTY, TRAFFIC RATED, FLUSH-TO-GRADE POLYMER CONCRETE SPLICE BOX WITH HEAVY DUTY, TRAFFIC RATED, BOLTED COVER, 11"X18"X12" TYPE 1.
-  UNDER GROUND BURIED RACEWAY (2#6 THWN CU AND 1#8 GND) IN 2" PVC CONDUIT (UNLESS NOTED OTHERWISE ON PLANS) IN 24" DEEP TRENCH, BURY AND COMPACTED BACKFILL TO PRE CONSTRUCTION CONDITION.
-  INSTALL POST TOP MOUNTED PEDESTRIAN STANDARD AS SPECIFIED.



TYPICAL SECONDARY ELECTRICAL TRENCH DETAIL

NOT TO SCALE



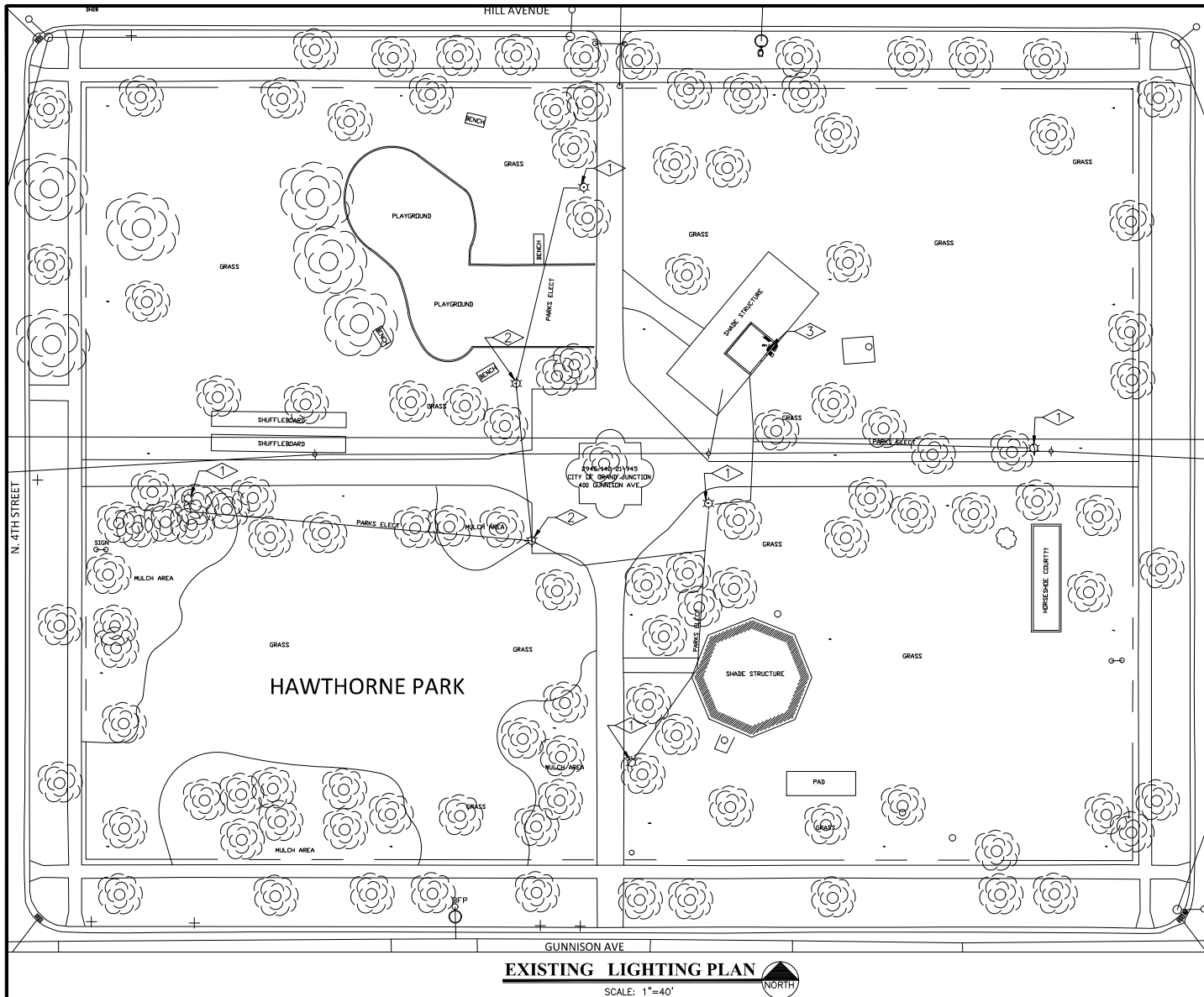
REVISION	DESCRIPTION	DATE	DRAWN BY	DATE	SCALE:
REVISION Δ			AJM	4/19/23	
REVISION Δ			AJM	4/19/23	
REVISION Δ			AJM	4/19/23	
REVISION Δ			EM	4/19/23	



PUBLIC WORKS
ENGINEERING DIVISION

HAWTHORNE PARK LIGHTING
GENERAL NOTES

Attachment A



FLAG NOTES:

- ① REMOVE EXISTING LIGHT, POLE AND PEDESTAL. ABANDON EXISTING WIRING.
- ② EXISTING LIGHT POLE HAS BEEN REMOVED. REMOVE PEDESTAL. ABANDON EXISTING WIRING.
- ③ EXISTING PANEL "PP1" TO REMAIN AND BE REUSED.

GENERAL NOTES:

1. POWER CIRCUIT AS SHOWN ON DRAWING, TYPICAL.
2. FIELD LOCATE IRRIGATION CONTROL LINES AND AVOID AND PROTECT DURING CONSTRUCTION, TYPICAL.
3. RESTRICT OPEN TRENCHING OUTSIDE OF DRIP LINE OF EXISTING TREES TO AVOID DAMAGE TO DRIP LINE.
4. UTILIZE DIRECTIONAL BORING AT A MINIMUM DEPTH OF 36 INCHES UNDER THE CANOPY OF EXISTING TREE.
5. ADJUST LOCATION OF NEW LIGHTS WITH EXISTING TREES. COORDINATE EXACT LOCATION WITH OWNER PRIOR TO TRENCHING.



ACM CONSULTING
ELECTRICAL DESIGN CONSULTING
ENGINEERS; PH: 970-245-7292
PO 3211 GRAND JCT., CO 81502
EMAIL: joalm@ACMengr.com

EXISTING LIGHTING PLAN

SCALE: 1"=40'



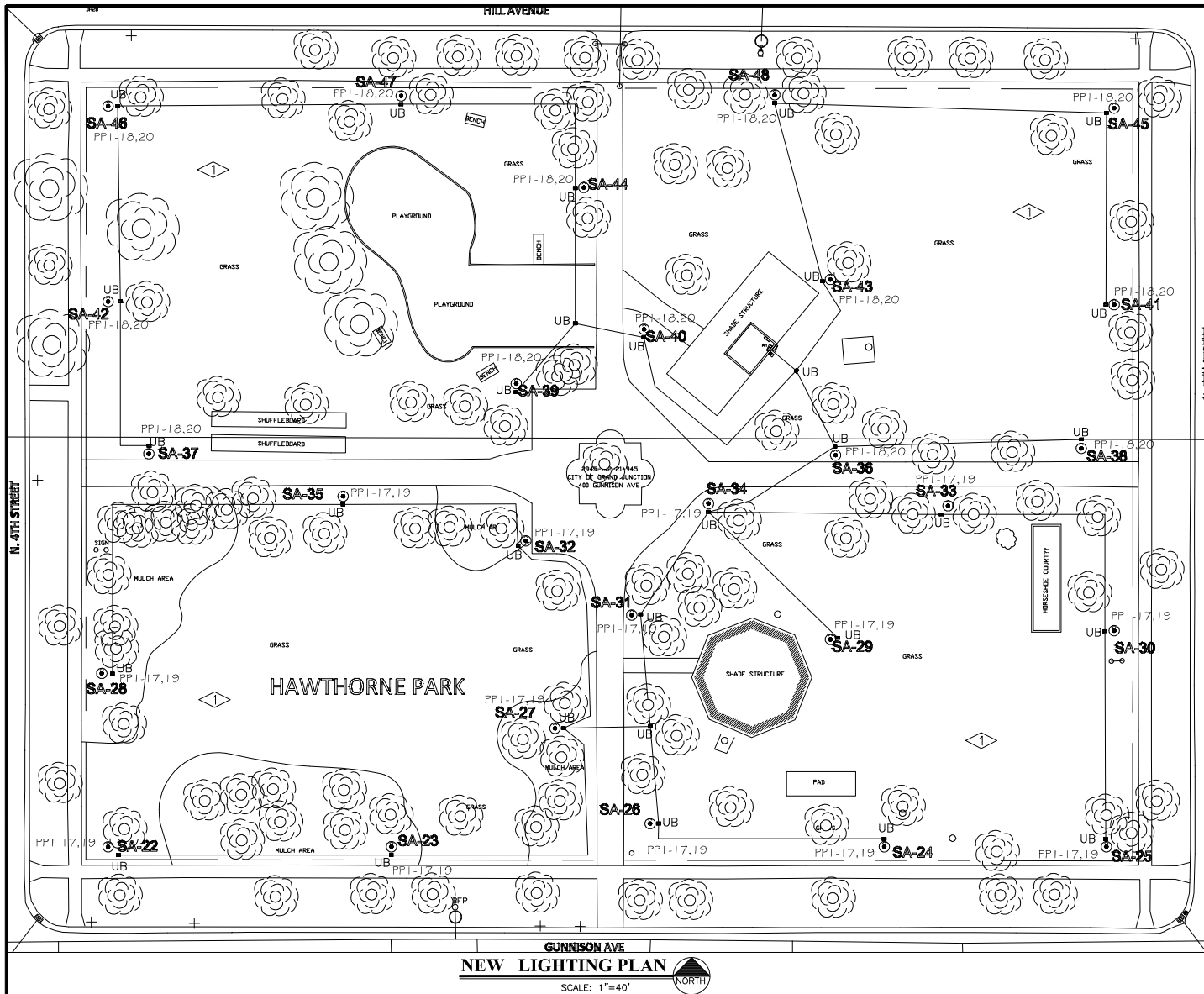
REVISION	DESCRIPTION	DATE	DRAWN BY	DATE
REVISION			AJM	4/19/23
REVISION			AJM	4/19/23
REVISION			AJM	4/19/23
REVISION			EM	4/19/23

SCALES:
PLAN & PROFILE
0 10 20
HORIZONTAL
0 10 20
VERTICAL



PUBLIC WORKS
ENGINEERING DIVISION

HAWTHORNE PARK LIGHTING
EXISTING LIGHTING PLAN



FLAG NOTES:

- ◊ PROVIDE NEW LIGHT, POLE, J-BOX AND PEDESTAL, TYPICAL.

GENERAL NOTES:

1. POWER CIRCUIT AS SHOWN ON DRAWING, TYPICAL.
2. LIGHT TO BE ORIENTED TO BE PERPENDICULAR TO SIDEWALK AND SHINE ON SIDEWALK, TYPICAL.
3. NEW 2" CONDUIT AND PROVIDE 2-#6 THWN + #10 GND IN 2" PVC SCHEDULE 80 CONDUIT BETWEEN PULL BOXES UNLESS SHOWN OTHERWISE, TYPICAL.
4. FIELD LOCATE IRRIGATION CONTROL LINES AND AVOID AND PROTECT DURING CONSTRUCTION, TYPICAL.
5. RESTRICT OPEN TRENCHING OUTSIDE OF DRIP LINE OF EXISTING TREES TO AVOID DAMAGE TO DRIP LINE.
6. UTILIZE DIRECTIONAL BORING AT A MINIMUM DEPTH OF 36 INCHES UNDER THE CANOPY OF EXISTING TREE.
7. ADJUST LOCATION OF NEW LIGHTS WITH EXISTING TREES. COORDINATE EXACT LOCATION WITH OWNER PRIOR TO TRENCHING.



ACM CONSULTING
ELECTRICAL DESIGN, CONSULTING
ENGINEERS; PH: 970-245-7292
PO 3211 GRAND JCT., CO 81502
EMAIL: joalm@ACMengr.com

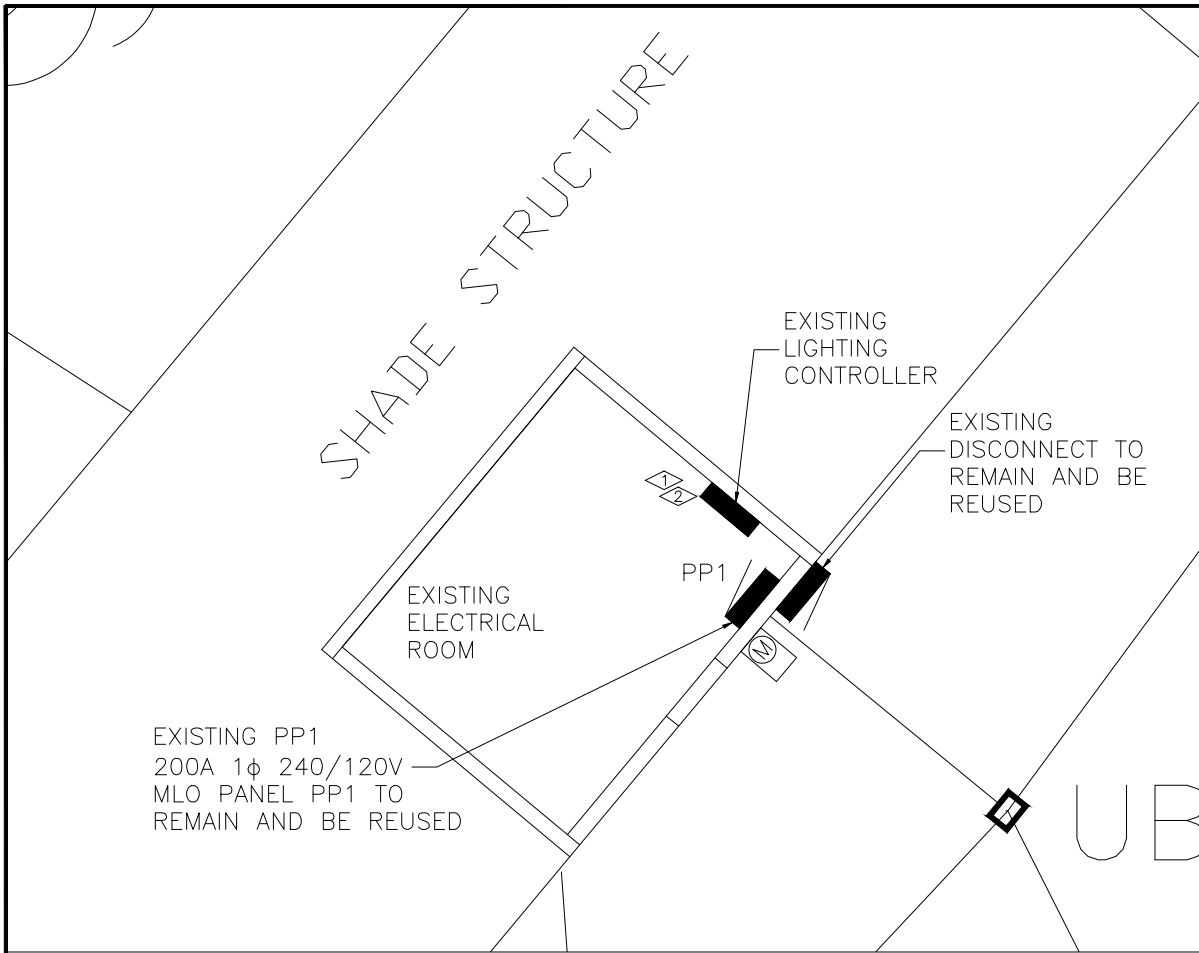
REVISION	DESCRIPTION	DATE	DRAWN BY	DATE
△			AJM	4/19/23
△			AJM	4/19/23
△			AJM	4/19/23
△			EM	4/19/23

SCALES:
PLAN & PROFILE
HORIZONTAL
VERTICAL



PUBLIC WORKS
ENGINEERING DIVISION

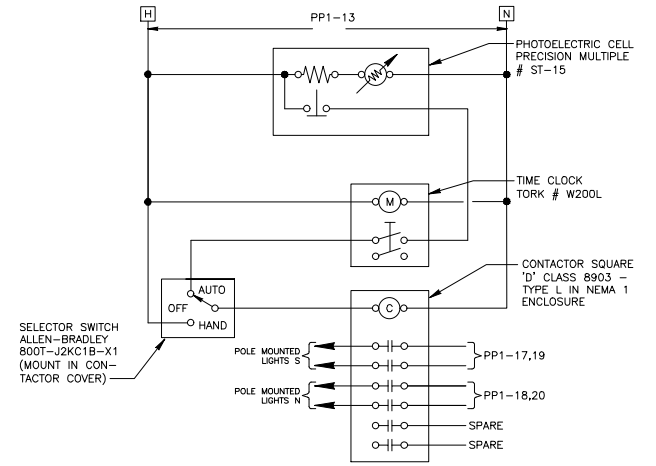
HAWTHORNE PARK LIGHTING
NEW LIGHTING PLAN



NEW ELECTRICAL PLAN
SCALE: N.T.S.

FLAG NOTES:

- ① REMOVE AND REPLACE EXISTING LIGHTING CONTROLLER AND PHOTOCELL AND REPLACE WITH NEW LIGHTING CONTROLLER, REFERENCE LIGHTING CONTROL SCHEMATIC.
- ② PROVIDE NEW ENCLOSURE FOR CONTROLLER AND RELAYS.



TYPICAL LIGHTING CONTROL SCHEMATIC
NOT TO SCALE



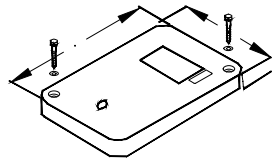
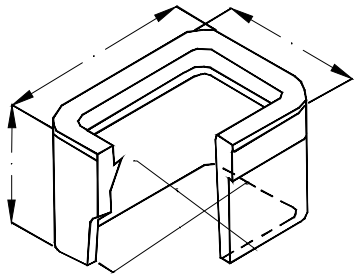
ACM CONSULTING
ELECTRICAL DESIGN, CONSULTING
ENGINEERS; PH: 970-245-7292
PO 3211 GRAND JCT., CO 81502
EMAIL: joalm@ACMengr.com

REVISION	DESCRIPTION	DATE	DRAWN BY	DATE	SCALES:
REVISION Δ			AJM	4/19/23	PLAN & PROFILE
REVISION Δ			AJM	4/19/23	HORIZONTAL
REVISION Δ			AJM	4/19/23	VERTICAL
REVISION Δ			EM	4/19/23	



PUBLIC WORKS
ENGINEERING DIVISION

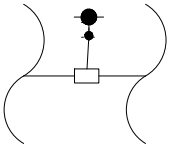
HAWTHORNE PARK LIGHTING
NEW ELECTRICAL PLAN



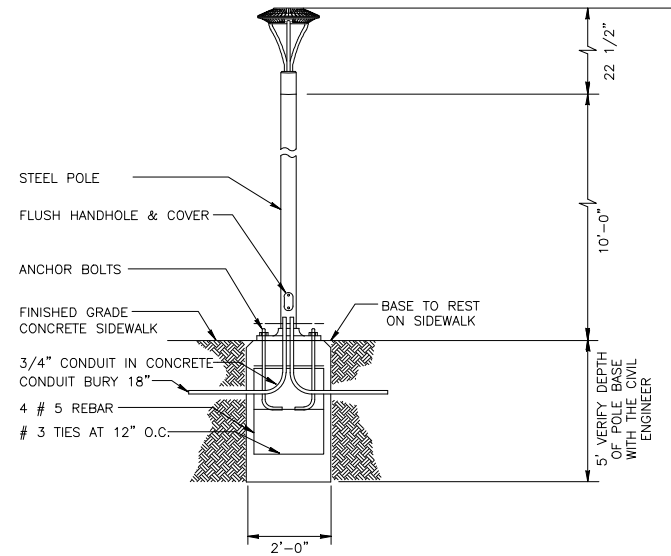
- A 18-1/8"
- B 11-1/4"
- C 1-1/4"
- D 20-1/2"
- E 13-3/8"
- F 12"
- G 15-3/4"
- H 8-7/8"

- PULL BOXES, PULL BOX COVERS AND EXTENSIONS SHALL BE MADE OF FIBERGLASS REINFORCED POLYMER CONCRETE. PULL BOXES SHALL BE VERIFIED BY A A 3RD PARTY NATIONALLY RECOGNIZED INDEPENDENT TESTING LABORATORY AS MEETING ALL TEST PROVISIONS OF THE LATEST ANSI/SCTE 77 SPECIFICATION FOR UNDERGROUND ENCLOSURE INTEGRITY, TIER 22 RATING. CERTIFICATION DOCUMENTS SHALL BE SUBMITTED WITH MATERIALS SUBMITTALS. THE PULL BOX SHALL HAVE A DETACHABLE COVER WITH A SKID RESISTANT SURFACE AND HAVE THE WORDS ELECTRICAL CAST INTO THE SURFACE. PAINTING THE WORDS SHALL NOT BE ACCEPTED. MARKINGS SHOWING THE TIER 22 RATING MUST BE LABELED OR STENCILED ON THE INSIDE AND OUTSIDE OF THE BOX AND THE ON THE UNDER SIDE OF THE COVER. THE COVER SHALL BE ATTACHED TO THE PULL BOX BODY BY MEANS OF A MINIMUM 3/8 - 7 UNIFIED NATIONAL COURSE (UNC) STAINLESS STEEL PENTA HEAD BOLTS AND SHALL HAVE TWO LIFT SLOTS TO AID IN THE REMOVAL OF THE LID.
- PULL SLOTS SHALL BE RATED FOR A MINIMUM PULL OUT OF 3,000 POUNDS. MAGNESIUM CHLORIDE TESTS SHOULD BE PERFORMED IN ACCORDANCE WITH THE LATEST ANSI/SCTE 77 SPECIFICATION FOR UNDERGROUND ENCLOSURE INTEGRITY, TIER 22 RATING.
- PROVIDE AT LEAST 6 INCHES OF PEA GRAVEL MEASURED FROM BOTTOM OF PULL BOX FOR DRAINAGE. PEA GRAVEL IS INCLUDED IN PULL BOX PAY ITEM.

C UTILITY BOX DETAIL
1 NOT TO SCALE



C UTILITY BOX CONNECTION DETAIL
2 NOT TO SCALE



TYPE SA LIGHT DETAIL
NOT TO SCALE

GENERAL NOTES:

- ELECTRICAL CONTRACTOR TO ORDER ALL REQUIRED HARDWARE FOR MOUNTING OF EACH LUMINARIES.
- VERIFY THE BURY DEPTH AND DIAMETER OF THE SONOTUBE FOR POLE LUMINARIES WITH THE CIVIL ENGINEER PRIOR TO PURCHASING THE EQUIPMENT. DEPTH WILL DEPEND ON SOIL CONDITIONS. TYPICAL CONCRETE DEPTH IS 6 FT. VERIFY WITH CIVIL ENGINEER.
- ELECTRICAL CONTRACTOR TO VERIFY THAT ALL FIXTURES TO COMPLY WITH LIGHT TRESPASS AND AND DARK SKY CODES.
- NOTIFY ENGINEER OF ANY OBSTRUCTIONS TO POLE PLACEMENT IMMEDIATELY BEFORE PROCEEDING.
- VERIFY REQUIRED VOLTAGE OF FOR EACH LUMINARIES WITH AVAILABLE VOLTAGES PRIOR TO ORDERING.

LUMINAIRE SCHEDULE

TYPE	MANUFACTURER MODEL NUMBER	APPROVAL	VOLTAGE MOUNTING # OF LAMPS	BALLAST LAMPE TYPE LAMP CAT. #	DESCRIPTION
SA	RAB LIGHTING ALED-5T-78-N-USA	OWNER REQUESTED	UNV POLE 1	ELECTRONIC LED 78 W	PEDESTRIAN LUMINAIRE, POST TOP MOUNTED, LED,. COLOR OF POLE AND LUMINAIRE TO MATCH POLE. POLE PS4-11-10WT.



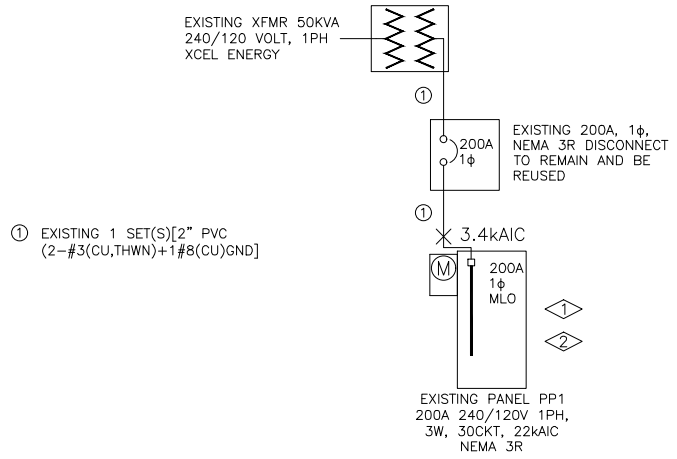
ACM CONSULTING
ELECTRICAL DESIGN, CONSULTING
ENGINEERS; PH: 970-245-7292
PO 3211 GRAND JCT., CO 81502
EMAIL: joalm@ACMengr.com

REVISION	DESCRIPTION	DATE	DRAWN BY	DATE	SCALES:
REVISION			DESIGNED BY	DATE	PLAN & PROFILE
REVISION			CHECKED BY	DATE	HORIZONTAL
REVISION			APPROVED BY	DATE	VERTICAL



**PUBLIC WORKS
ENGINEERING DIVISION**

**HAWTHORNE PARK LIGHTING
COMPOSITE UTILITY PLAN**



- FLAG NOTES:**
- ① EXISTING PANEL PP1 TO REMAIN AND BE REUSED
 - ② PROVIDE NEW BREAKERS AS SHOWN IN PANEL SCHEDULE DRAWING, TYPICAL. MATCH EXISTING BREAKER RATINGS.

EXISTING ONE-LINE DIAGRAM
NOT TO SCALE

GENERAL NOTES:

1. IN AS MUCH AS DESIGN REQUIRES THAT CERTAIN ASSUMPTIONS BE MADE REGARDING EXISTING CONDITIONS, AND BECAUSE SOME OF THESE ASSUMPTIONS CANNOT BE VERIFIED, FIELD COORDINATION DURING CONSTRUCTION SERVICES IS IMPERATIVE. CONTRACTORS BIDDING THIS WORK MUST MAKE REASONABLE ALLOWANCES FOR UNFORESEEN CONTINGENCIES.
2. THE SERVING ELECTRICAL ASSOCIATION SHALL ADVISE THE OWNER/ENGINEER PRIOR TO SERVICE MODIFICATION REQUIRING COST TO THE OWNER.
3. COORDINATE INSTALLATION WITH XCEL ENERGY PRIOR TO ROUGH-IN.
4. REFERENCE CIVIL, LANDSCAPE AND IRRIGATION DRAWING PLANS FOR COORDINATION AND LOCATION OF ALL UNDER GROUND SYSTEMS.
5. ALL WORK SHALL BE COORDINATED WITH OTHER TRADES AS REQUIRED: REFERENCE CIVIL LANDSCAPE AND IRRIGATION DRAWINGS.
6. ALL WIRING IS SHOWN DIAGRAMMATICALLY ON DRAWINGS, FIELD VERIFY ALL CONDITIONS PRIOR TO ROUGH-IN.
7. ALL ELECTRICAL WORK SHALL COMPLY WITH THE LATEST EDITION OF NATIONAL ELECTRICAL CODE AND ALL APPLICABLE LOCAL CODES.
8. CONDUCTOR COUNT IS SHOWN FOR REFERENCE ONLY. CONTRACTOR SHALL ENSURE THAT ANY AND ALL DEVICES AND EQUIPMENT ARE CIRCUITED PROPERLY. CONTRACTOR SHALL ENSURE THAT NO EQUIPMENT OR DEVICES ARE COMBINED OTHER THAN WHAT IS DEPICTED.
9. FIELD VERIFY ALL DIMENSIONS, DO NOT SCALE DRAWINGS.
10. COORDINATE INSTALLATION OF METER AND ELECTRICAL REQUIREMENTS WITH XCEL ENERGY.
11. PEDESTAL MUST MEET ALL XCEL ENERGY REQUIREMENTS I.E. COLD SEQUENCE PADLOCK SLIP LATCH ON METER COVER, HOLD OPEN BAR ON METER HOOD.



ACM CONSULTING
ELECTRICAL DESIGN, CONSULTING
ENGINEERS; PH: 970-245-7292
PO 3211 GRAND JCT., CO 81502
EMAIL: joelm@ACMengr.com

REVISION	DESCRIPTION	DATE	DRAWN BY	DATE	SCALE:
REVISION Δ			AJM	4/19/23	
REVISION Δ			AJM	4/19/23	
REVISION Δ			AJM	4/19/23	
REVISION Δ			EM	4/19/23	



**PUBLIC WORKS
ENGINEERING DIVISION**

**HAWTHORNE PARK LIGHTING
ONE-LINE PLAN**

PANEL: PP1		DC DEVICE TYPE: Breaker		ENCLOSURE: NEMA 1		MAINS(A): MLD		CONTINUOUS(A): 225				
LOCATION: BUS-XFMRO		DEVICE FAMILY: Plug In		MOUNTING: Surface		WIRING: Single-Phase 3-Wire		BUS SC RATING(A): 28000				
INCIDENT ENERGY: 2.57 Cal/cm ² @18.00(in)				VOLTAGE: 240/120				FAULT CURRENT(A): 2077				
				BOUNDARY: 28.73(in)								
DC AMPS P	NOTES	DESCRIPTION	DEMAND CODE	VA	CKT	PHASE LOADS VA A B C	CKT	VA	DEMAND CODE	DESCRIPTION	NOTES	DC AMPS P
20 1		LIG-AREA	LTS	600	1	2807	2	2304	GENERAL	WTR HTR 1		30 1
20 1		LIG-AREA	LTS	600	3	2807	4	2304	GENERAL	WTR HTR 2		30 1
20 1		EXHAUST FANS	LTS	1200	5	2414	6	1344	GENERAL	HAND DRYER 1		25 1
40 2		AIR HANDLER HTR	GENERAL	3840	7	4981	8	1344	GENERAL	HAND DRYER 2		25 1
**		**	**	3840	9	5040	10	1200	REC	RCPT - PINE		20 1
20 1		FLUSH VALVES	GENERAL	300	11	1500	12	1200	GENERAL	RCPT-SPRUCE		20 1
20 1		LTS-CONTROLLER	LTS	600	13	1200	14	600	GENERAL	IRR TIMER		20 1
20 1		LTS-PDST SPRUCE	LTS	1200	15	1800	16	600	GENERAL	TIME CLOCK		20 1
				15	17		18					
				19	21		22					
				21	23		24					
ALL CONNECTED		KVA	3P AVE AMPS	* PHASE TOTALS	VA	AMPS	BUS TOTALS	KVA				
TOTAL CONNECTED		23.08	55.5	* A-N	11688.0	97.4	CONNECTED	25.54				
TOTAL DEMAND		24.13	58.0	* B-N	11388.0	94.9	DESIGN	26.59				
TOTAL DESIGN		25.44	61.2	* C-N	0.0	0.0	DESIGN	27.90				

PANEL: PP1		DC DEVICE TYPE: Breaker		ENCLOSURE: NEMA 1		MAINS(A): MLD		CONTINUOUS(A): 200				
LOCATION: BUS-XFMRO		DEVICE FAMILY: Plug In		MOUNTING: Surface		WIRING: Single-Phase 3-Wire		BUS SC RATING(A): 28000				
INCIDENT ENERGY: 2.57 Cal/cm ² @18.00(in)				VOLTAGE: 240/120				FAULT CURRENT(A): 2077				
				BOUNDARY: 28.73(in)								
DC AMPS P	NOTES	DESCRIPTION	DEMAND CODE	VA	CKT	PHASE LOADS VA A B C	CKT	VA	DEMAND CODE	DESCRIPTION	NOTES	DC AMPS P
20 1		LIG- PDLE NW	LTS	546	1	2760	2	2304	GENERAL	WTR HTR 1		30 1
20 1		LIG-PDLE NE	LTS	468	3	2760	4	2304	GENERAL	WTR HTR 2		30 1
20 1		EXHAUST FANS	LTS	1200	5	2414	6	1344	GENERAL	HAND DRYER 1		25 1
40 2		AIR HANDLER HTR	GENERAL	3840	7	4981	8	1344	GENERAL	HAND DRYER 2		25 1
**		**	**	3840	9	5040	10	1200	REC	RCPT - PINE		20 1
20 1		FLUSH VALVES	GENERAL	300	11	1500	12	1200	GENERAL	RCPT-SPRUCE		20 1
20 1		LTS-CONTROLLER	LTS	600	13	1200	14	600	GENERAL	IRR TIMER		20 1
20 1		LTS-PDST SPRUCE	LTS	1200	15	1800	16	600	GENERAL	TIME CLOCK		20 1
20 2	①	LTS PDLE S	LTS	507	17	1014	18	507	LTS	LTS PDLE N	①	20 2
**		**	**	507	19	1014	20	507	LTS	LTS PDLE N	①	**
				21	22		23					
				22	24		24					
ALL CONNECTED		KVA	3P AVE AMPS	* PHASE TOTALS	VA	AMPS	BUS TOTALS	KVA				
TOTAL CONNECTED		24.92	59.9	* A-N	12648.0	105.4	CONNECTED	27.38				
TOTAL DEMAND		26.43	63.6	* B-N	12270.0	102.3	DESIGN	28.89				
TOTAL DESIGN		28.32	68.1	* C-N	0.0	0.0	DESIGN	30.78				

EXISTING PANEL SCHEDULE DETAIL

NOT TO SCALE

NEW PANEL SCHEDULE DETAIL

NOT TO SCALE

FLAG NOTES:

- ① PROVIDE NEW 20 AMP 240V 1φ 10kAIC BREAKERS TO MATCH EXISTING RATINGS, TYPICAL.
- ② PROVIDE NEW UPDATED PANEL SCHEDULE, TYPICAL



ACM CONSULTING
ELECTRICAL DESIGN, CONSULTING
ENGINEERS; PH: 970-245-7292
PO 3211 GRAND JCT., CO 81502
EMAIL: joalm@ACMengr.com

REVISION	DESCRIPTION	DATE	DRAWN BY	DATE	SCALE:
△			AJM	4/19/23	
△			AJM	4/19/23	
△			AJM	4/19/23	
△			EM	4/19/23	




PUBLIC WORKS
ENGINEERING DIVISION

HAWTHORNE PARK LIGHTING
PANEL SCHEDULES PLAN

Attachment A

LIGHTING GENERAL NOTES:

1. THIS PROJECT CONSISTS OF WORK TO REMOVE EXISTING FLUORESCENT LIGHTING AND EXISTING GFCI RECEPTACLES AND INSTALL NEW CEILING MOUNTED LIGHTING AND GFCI RECEPTACLES REUSING EXISTING WIRING, CONDUIT, PULL BOXES, AND EXTENDING TO LOCATION AS SHOWN IN DRAWINGS.
2. INSTALL NEW TYPE "SA" , HUBBELL #NRG-4-30L-U-4K-035-BZ FIXTURE MOUNTED TO CEILING OF EXISTING SHADE STRUCTURE AT LOCATIONS SHOWN IN DRAWINGS.
3. NEW TYPE "SA" INSTALLED ON THE PROJECT WILL BE CONTROLLED WITH EXISTING CONTROLLER, PROVIDE NEW PHOTO CELL TO MATCH EXISTING.
4. EXISTING SHELTER GFCI, JBOX AND COVER TO BE REMOVED AND REPLACED WITH LEVITON 1GM53-GY BOX WITH WM1D-SGY WEATHERPROOF COVER INSTALLED IN VANDAL STOP AA-EB-3R AS SHOWN IN DRAWINGS.
5. PULL BOXES FOR CDOT PULL BOXES 11"X18"X12".
6. PULL BOXES WILL BE INSTALLED IN GRADES WITHOUT CONCRETE WHERE POSSIBLE.
7. ALL ELECTRICAL CONDUIT TO MATCH EXISTING, TYPICAL.
8. UNLESS OTHERWISE NOTED, THE WORK DESCRIBED ON THE PLANS SHALL INCLUDE PROVIDING ALL LABOR AND MATERIALS NECESSARY FOR A COMPLETE AND OPERATIONAL ELECTRICAL SYSTEM. FURNISH ALL REQUIRED ITEMS WHETHER SUCH ARE SPECIFICALLY SHOWN OR NOT.
9. INFORMATION SHOWN ON DRAWINGS IS DIAGRAMMATIC ONLY AND SHALL NOT BE SCALED. OBTAIN VERIFY EXACT LOCATIONS, MEASUREMENTS, LEVELS, SPACE REQUIREMENTS, POTENTIAL CONFLICTS AMONG TRADES AND FOR ADJUSTING THE WORK REQUIRED BY THE ACTUAL CONDITIONS OF THE PROJECT. CONTRACTOR IS RESPONSIBLE FOR LOCATING ALL UNDER GROUND OBSTRUCTIONS AND MAKING ALLOWANCES FOR FIELD ADJUSTMENT OF LOCATION OF LUMINARIES TO AVOID SHUT DOWN OF ANY SERVICES OR SYSTEMS THAT ARE TO REMAIN.
10. BEFORE SUBMITTING THE BID ELECTRICAL CONTRACTOR SHALL VISIT AND EXAMINE THE PREMISES AND/OR JOB SITE SO AS TO ASCERTAIN THE EXISTING CONDITIONS IN WHICH THE CONTRACTOR WILL BE OBLIGED TO OPERATE IN PERFORMING HIS PART OF THE CONTRACT TO ANTICIPATE ANY POSSIBLE SPACE RESTRICTIONS OR CONSTRAINTS THAT COULD AFFECT THE TIMELY COMPLETION OF THE ELECTRICAL WORK IN ACCORDANCE WITH THE INTENT OF THE SPECIFICATIONS AND DRAWINGS. THE ELECTRICAL CONTRACTOR SHALL REPORT TO THE THE PROJECT ENGINEER OR GENERAL CONTRACTOR ANY CONDITIONS THAT MIGHT PREVENT THE SPECIFIED ELECTRICAL WORK FROM BEING PERFORMED IN THE MANNER INTENDED. NO CONSIDERATION OR ALLOWANCE WILL BE GRANTED TO THE ELECTRICAL CONTRACTOR FOR FAILURE TO VISIT THE PROJECT SITE, OR FOR ANY ALLEGED MISUNDERSTANDING OF THE MATERIALS TO BE FURNISHED OR WORK TO BE DONE..
11. THE ELECTRICAL CONTRACTOR SHALL EXAMINE THE DRAWINGS OF ALL TRADES WHOSE WORK RELATES TO OR IS DEPENDENT ON ELECTRICAL WORK TO BECOME FULLY INFORMED OF THE EXTENT AND CHARACTER OF THEIR SPECIFIED WORK AND BE ABLE TO COORDINATE WITH OTHER TRADES WHILE AVOIDING POSSIBLE INTERFERENCE WITH THE ELECTRICAL WORK.

- PP1-X ELECTRICAL CIRCUIT NUMBER (REFER TO PANEL SCHEDULES)
- UB HEAVY DUTY, TRAFFIC RATED, FLUSH-TO-GRADE POLYMER CONCRETE SPLICE BOX WITH HEAVY DUTY, TRAFFIC RATED, BOLTED COVER, 11"X18"X12" TYPE 1.
-  UNDER GROUND BURIED RACEWAY (2#6 THWN CU AND 1#8 GND) IN 2" PVC CONDUIT (UNLESS NOTED OTHERWISE ON PLANS) IN 24" DEEP TRENCH, BURY AND COMPACTED BACKFILL TO PRE CONSTRUCTION CONDITION.
- SA NEW LUMINARE STANDARD AS SPECIFIED.



ACM CONSULTING
 ELECTRICAL DESIGN, CONSULTING
 ENGINEERS; PH: 970-245-7292
 PO 3211 GRAND JCT., CO 81502
 EMAIL: joelm@ACMengr.com

REVISION	DESCRIPTION	DATE	DRAWN BY	DATE	DESIGNED BY	DATE	CHECKED BY	DATE	APPROVED BY	DATE	SCALES:
REVISION Δ			AJM	4/19/23	AJM	4/19/23	AJM	4/19/23	EM	4/19/23	
REVISION Δ											
REVISION Δ											
REVISION Δ											



PUBLIC WORKS
 ENGINEERING DIVISION

SHERWOOD PARK LIGHTING
 GENERAL NOTES

Tabulation of Approximate Quantities

Item No.	Ref. No.	Construction Note Description	Quantity	Unit	NOTES
1		Wiring	1	LS	
2		Hubbell Luminaire	6	EA	
3		LEVITON 1GM53-GY BOX WITH WM1D-SGY	4	EA	
4		VANDAL STOP AA-EB-3R	4	EA	
5					
6					
7					
8					
SUMMARY NOTES:					

GENERAL NOTES:

1. EXTEND EXISTING WIRING AND CONDUIT TO NEW LIGHT LOCATIONS SHOWN ON DRAWINGS.
2. PROVIDE MOUNTING HARDWARE FOR NEW LIGHTS, TYPICAL.

LUMINAIRE SCHEDULE					
TYPE	MANUFACTURER MODEL NUMBER	APPROVAL	VOLTAGE MOUNTING # OF LAMPS	BALLAST LAMPE TYPE LAMP CAT. #	DESCRIPTION
SA	HUBBELL NRG-4-30L-U-4K-035-BZ	OWNER REQUESTED	UNV SURFACE CEILING 1	ELECTRONIC LED 35 W	SURFACE MOUNT LOW BAY MOUNTED TO SHELTER CEILING. PROVIDE MOUNTING HARDWARE AND LIQUID TIGHT FLEXIBLE METAL CONDUIT(LFMC) WITH FITTINGS TO EACH LIGHT.

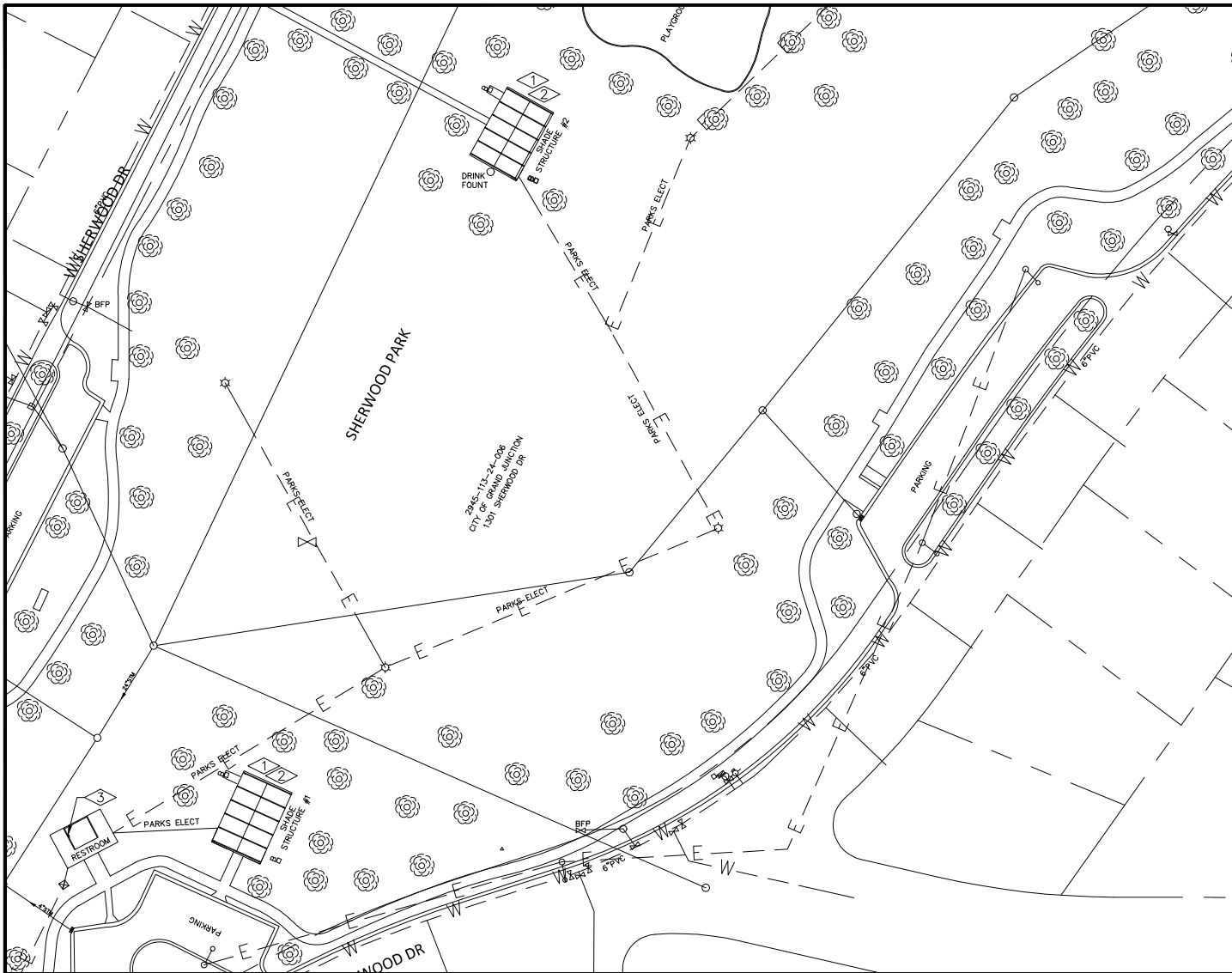


REVISION Δ	DESCRIPTION	DATE	DRAWN BY	AJM	DATE	4/19/23
REVISION Δ			DESIGNED BY	AJM	DATE	4/19/23
REVISION Δ			CHECKED BY	AJM	DATE	4/19/23
REVISION Δ			APPROVED BY	EM	DATE	4/19/23



PUBLIC WORKS
ENGINEERING DIVISION

SHERWOOD PARK LIGHTING
QUANTITIES SCHEDULES



FLAG NOTES:

- ① REMOVE EXISTING LIGHTING AND GFCI RECEPTACLES IN THIS SHELTER AND DISPOSE OF PROPERLY.
- ② PRESERVE WIRING AND CONDUIT FOR REUSE FOR NEW LIGHTING AND RECEPTACLES.
- ③ EXISTING POWER PANEL TO REMAIN AND BE REUSED.

EXISTING SHELTER LOCATIONS PLAN

SCALE: 1"=60'



ACM CONSULTING
ELECTRICAL DESIGN, CONSULTING
ENGINEERS; PH: 970-245-7292
PO 3211 GRAND JCT., CO 81502
EMAIL: joalm@ACMengr.com

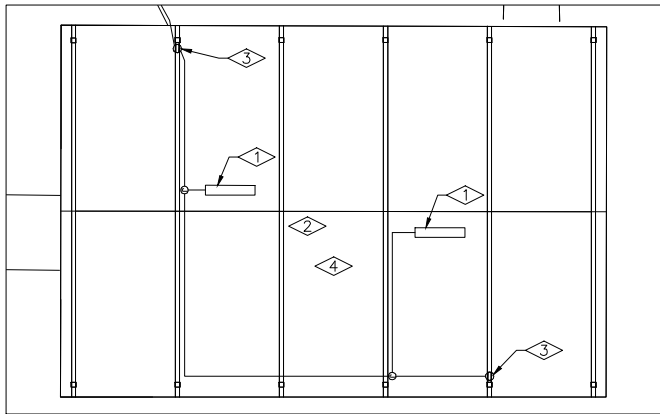
REVISION	DESCRIPTION	DATE	DRAWN BY	DATE
REVISION			AJM	4/19/23
REVISION			AJM	4/19/23
REVISION			AJM	4/19/23
REVISION			EM	4/19/23

SCALES:
PLAN & PROFILE
0 12 24 36 48 60
HORIZONTAL
0 12 24 36 48 60
VERTICAL

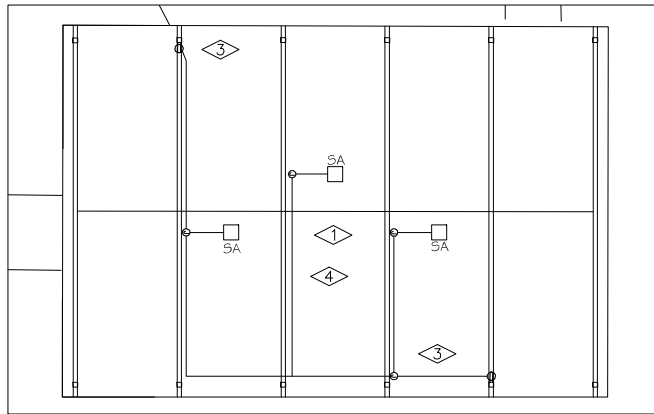


PUBLIC WORKS
ENGINEERING DIVISION

SHERWOOD PARK LIGHTING
SHELTER LOCATIONS PLAN



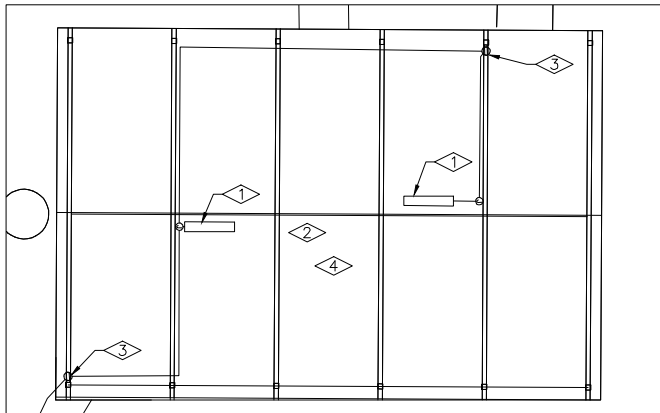
EXISTING LIGHTING PLAN SHADE STRUCTURE #1
SCALE: 1"=10'



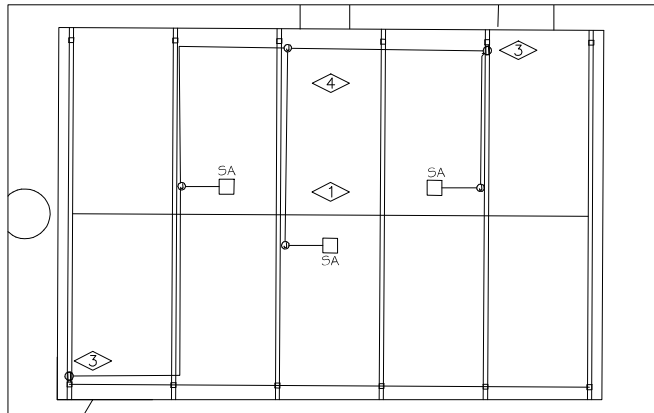
NEW LIGHTING PLAN SHADE STRUCTURE #1
SCALE: 1"=10'

FLAG NOTES:

- ① EXISTING FLUORESCENT LIGHT TO BE REMOVED AND DISPOSED OF PROPERLY. REPLACE WITH TYPE "SA". EXISTING LIGHT CONTROL TO REMAIN AND BE REUSED.
- ② REMOVE AND REPLACE EXISTING PHOTOCELL WITH NEW, MATCH EXISTING.
- ③ REMOVE AND REPLACE EXISTING WP GFCI WITH NEW GFCI LEVITON 1GM53-GY BOX WITH WM1D-SGY WEATHERPROOF COVER INSTALLED IN VANDAL STOP AA-EB-3R OUTDOOR ELECTRICAL OUTLET SECURITY BOX.
- ④ PRESERVE REUSE AND EXTEND EXISTING WIRING AND CONDUIT AS REQUIRED, TYPICAL.



EXISTING LIGHTING PLAN SHADE STRUCTURE #2
SCALE: 1"=10'



NEW LIGHTING PLAN SHADE STRUCTURE #2
SCALE: 1"=10'




ACM CONSULTING
ELECTRICAL DESIGN, CONSULTING
ENGINEERS; PH: 970-245-7292
PO 3211 GRAND JCT., CO 81502
EMAIL: joalm@ACMengr.com

REVISION	DESCRIPTION	DATE	DRAWN BY	DATE	SCALES:
△			AJM	4/19/23	PLAN & PROFILE
△			AJM	4/19/23	0 25 HORIZONTAL
△			AJM	4/19/23	0 10' VERTICAL
△			EM	4/19/23	



**PUBLIC WORKS
ENGINEERING DIVISION**

**SHERWOOD PARK LIGHTING
NEW LIGHTING PLAN**

PANEL: P1		DC DEVICE TYPE: Breaker		ENCLOSURE: NEMA 1		MAINS(A): MLD		CONTINUOUS(A): 225						
LOCATION: SHERWOOD		DEVICE FAMILY: Plug In		MOUNTING: Surface		WIRING: Single-Phase 3-Wire		BUS SC RATING(A): 10000						
FED FROM: BUS-XFMRO		INCIDENT ENERGY: 0.00 Cal/cm2 @18.00k in)		VOLTAGE: 208/120		BOUNDARY: 0.00k in)		FAULT CURRENT(A): 0						
														
DC AMPS P	NOTES	DESCRIPTION	DEMAND CODE	VA	CKT	PHASE A	LOADS B	VA C	CKT	VA	DEMAND CODE	DESCRIPTION	NOTES	DC AMPS P
20 1		LTS-RR, STORAGE	GENERAL	0 1		0			2	0	GENERAL	S. HAND DRYER		20 2
20 1		LTS-EXTERIOR	GENERAL	0 3					4					
20 1		RCPT	GENERAL	0 5		0	0		6		GENERAL	N. HAND DRYER		20 2
20 1		IRR CONTROL	GENERAL	0 7					8					
30 1		WATER HTR S.	GENERAL	0 9		0	0		10		GENERAL	LTS-N. PARK		20 2
30 1		WATER HTR N.	GENERAL	0 11					12					
15 2		SPARE	SPARE	0 13					14		GENERAL	HEATING UNIT		40 2
20 1		SPARE	SPARE	0 15					16					
15 2		LTS-S. PARK	GENERAL	0 19		0	0		20		RECEPTA	LTS-S. SHELTER		20 1
15 2				0 19					20		RECEPTA	RCPT-S. SHELTER		20 1
15 1		SPRINKLERS SYS	GENERAL	0 21		0	0		22		RECEPTA	RCPT-N. SHELTER		20 1
0 1		SPACE	SPACE	0 23					24		LTS	LTS-N. SHELTER		20 1
0 1		SPACE	SPACE	0 25		0	0		26		SPACE	SPACE		0 1
0 1		SPACE	SPACE	0 27					28		SPACE	SPACE		0 1
0 1		SPACE	SPACE	0 29		0	0		30		SPACE	SPACE		0 1
ALL CONNECTED		KVA	3P AVE AMPS	PHASE TOTALS		VA	AMPS	BUS TOTALS		KVA				
TOTAL CONNECTED		0.00	0.0	A-N		0.0	0.0	CONNECTED		1.20	DATE: Apr 12, 2023			
TOTAL DEMAND		0.00	0.0	B-N		0.0	0.0	DEMAND		1.20	TIME: 11:44:44			
TOTAL DESIGN		0.00	0.0	C-N		0.0	0.0	DESIGN		1.20				

EXISTING PANEL SCHEDULE DETAIL

NOT TO SCALE

FLAG NOTES:

 PROVIDE NEW UPDATED PANEL SCHEDULE, TYPICAL.



ACM CONSULTING
ELECTRICAL DESIGN CONSULTING
ENGINEERS; PH: 970-245-7292
PO 3211 GRAND JCT., CO 81502
EMAIL: joelm@ACMengr.com

REVISION Δ	DESCRIPTION	DATE	DRAWN BY	AJM	DATE	4/19/23	SCALES:
REVISION Δ			DESIGNED BY	AJM	DATE	4/19/23	
REVISION Δ			CHECKED BY	AJM	DATE	4/19/23	
REVISION Δ			APPROVED BY	EM	DATE	4/19/23	



PUBLIC WORKS
ENGINEERING DIVISION

SHERWOOD PARK LIGHTING
PANEL SCHEDULES PLAN