



Purchasing Division

ADDENDUM NO. 2

DATE: December 19, 2024
FROM: City of Grand Junction Purchasing Division
TO: All Offerors
RE: Horizon Drive and G Road Roundabout IFB-5548-24-DD

Offerors responding to the above referenced solicitation are hereby instructed that the requirements have been clarified, modified, superseded, and supplemented as to this date as hereinafter described.

Please make note of the following questions/answers/clarifications:

- 1. Question:** There is a bid item for Muck excavation, but I am not seeing any details or specifications that clarify what this entails. The specification on page 12 says to perform the work in accordance with the specifications but lacks any further detail. Does this include excavation and importing new material? Does this include any fabric or geogrid?
Answer: Refer to Section 203 of 2023 Standard Specifications Excavation and Embankment 203.02(c) Removal of Unsuitable Material. Muck is a combination of undesirable soil and water (unsuitable material). If encountered, unsuitable material will be evaluated by RockSol Consulting Group. Placement of 203-00100 Muck Excavation, 304-03000 Aggregate Base Course (Class 3), and 420-00133 Geotextile (Separator) (Class 2) will be as directed by the Project Engineer.
- 2. Question:** Can we get clarification on the bid schedule for items 71 and 72? They are both shown as Concrete Pavement (11 Inch)
Answer: Sheet 16 – 18 Tabulation of Surfacing identifies the location of these bid items.
- 3. Question:** Can we get clarification on what the Reconditioning item is on the bid schedule? I am not finding anything on it in the project specials
Answer: Section 306 of CDOTS 2023 Standard Specifications outlines Reconditioning scope and requirements.
- 4. Question:** Is the City taking the hazardous waste material at their shop or does this need to be hauled to the disposal cells?
Answer: If encountered, hazardous waste may be disposed of at 333 West Ave, Grand Junction, CO 81501.
- 5. Question:** On item 66 HMA (Patching) can we get a thickness for this item or convert it to tons?
Answer: 4" Thickness
- 6. Question:** Are there any details or specs for 614-80003 RRFB equipment, poles, and foundation for this project?
Answer: Refer to S-614-14 Flashing Beacon and Sign Installations.

7. **Question:** Will engineer stamped drawings for 614-80003 RRFB poles or foundations be required on this project?
Answer: No
8. **Question:** Should Item 613-70003 Type 3 Pull Box be provided with dimensions listed in the electrical drawings on page 10 table as a Type 3, or should the Type 5 Pull Box dimension be provided as shown on Page 10 table and Page 11?
Answer: The Bid Schedule has been revised. A type 5 pull box, with dimensions on page "E11", shall be used for the fiber. And the type 2 dimensions on page "E10" for the electrical pull boxes.
9. **Question:** The plans reference CDOT 2023 specs and spec section "412.07 Equipment" calls for a paving machine for placing and finishing of the roundabout concrete. The special provisions do not exclude this specification. Can you verify whether or not the paving equipment will be required?
Answer: A slip form paver is not required. The Contractor will have to meet the plan grades and the straight edge test which is 1/4 inch per 10 foot per Section 504.22.
10. **Question:** What color is the colored concrete supposed to be?
Answer: All colored concrete on project shall be Davis # 5084 (3 LB) "Spanish Gold". Davis Colorado Curing/Sealing compound W-1000 sealer shall be used on all colored concrete.
11. **Question:** The truck apron detail on sheet 4 of the civil set states to refer to the landscape plans for the median edging detail. I am not finding the median edging detail in the landscape plans. Is it safe to assume the median edge is the same as on F.5 Rd?
Answer: Median edging shall match the Horizon & I-70 Roundabouts with color, heavy alternating broom finish, and score joint placement.
12. **Question:** In the center on the left side of sheet 6 in the "Notes" section, the second note states to see landscape plans for information on medians. I don't see any information regarding the concrete in the medians on the landscape plans. Is it safe to assume the pattern is alternating broom similar to F.5 Rd?
Answer: See response to Question #11

*****ADDENDUM 2 REVISED BID SCHEDULE TO BE SUBMITTED WITH BID*****

REVISED ELECTRICAL DETAILS DRAWING PAGE 10 of 16

The original solicitation for the project noted above is amended as noted. All other conditions of the subject remain the same.

Respectfully,



Dolly Daniels, Senior Buyer
City of Grand Junction, Colorado

**Bid Schedule: 23652 - Horizon Drive and G Road Roundabout
ADDENDUM 2**

Item No.	CDOT, City Ref.	Description	Quantity	Units	Unit Price	Total Price
1	201-00000	Clearing and Grubbing	1.	LS		
2	202-00010	Removal of Tree	1.	EA		
3	202-00019	Removal of Inlet	5.	EA		
4	202-00021	Removal of Manhole	2.	EA		
5	202-00035	Removal of Pipe	175.	LF		
6	202-00090	Removal of Delineator	1.	EA		
7	202-00190	Removal of Concrete Median Cover Material	89.	SY		
8	202-00200	Removal of Sidewalk	424.	SY		
9	202-00201	Removal of Curb	555.	LF		
10	202-00202	Removal of Gutter	36.	LF		
11	202-00203	Removal of Curb and Gutter	855.	LF		
12	202-00204	Removal of Curb, Gutter and Sidewalk	1,009.	LF		
13	202-00206	Removal of Concrete Curb Ramp	32.	SY		
14	202-00210	Removal of Concrete Pavement	8.	SY		
15	202-00220	Removal of Asphalt Mat	730.	SY		
16	202-00240	Removal of Asphalt Mat (Planing)	6,921.	SY		
17	202-00250	Removal of Pavement Marking	846.	SF		
18	202-00700	Removal of Light Standard	2.	EA		
19	202-00705	Removal of Light Standard Foundation	2.	EA		
20	202-00827	Removal of Pull Box	7.	EA		
21	202-00840	Removal of Traffic Signal Pole	4.	EA		
22	202-00848	Removal of Traffic Signal Controller and Cabinet	1.	EA		
23	203-00010	Unclassified Excavation (Complete In Place)	3,662.	CY		
24	203-00100	Muck Excavation	1,103.	CY		
25	203-01597	Potholing	10.	HOUR		
26	206-00100	Structure Backfill (Class 1)	15.	CY		
27	207-00205	Topsoil	376.	CY		
28	207-00210	Stockpile Topsoil	376.	CY		
29	208-00002	Erosion Log (12 inch)	260.	LF		
30	208-00035	Aggregate Bag	50.	LF		
31	208-00046	Prefabricated Concrete Washout Structure (Type 1)	1.	EA		
32	208-00054	Storm Drain Inlet Protection (Type II)	11.	EA		
33	208-00075	Prefabricated Vehicle Tracking Pad	4.	EA		
34	208-00103	Removal and Disposal of Sediment (Labor)	20.	HOUR		
35	208-00105	Removal and Disposal of Sediment (Equipment)	20.	HOUR		
36	208-00106	Sweeping (Sediment Removal)	60.	HOUR		
37	208-00107	Removal of Trash	20.	HOUR		
38	208-00207	Erosion Control Management (ECM)	60.	DAY		
39	208-00300	Temporary Berms	400.	LF		
40	209-00600	Dust Palliative (Magnesium Chloride)	1,000.	GAL		
41	210-00810	Reset Ground Sign	14.	EA		

Bid Schedule: 23652 - Horizon Drive and G Road Roundabout

Item No.	CDOT, City Ref.	Description	Quantity	Units	Unit Price	Total Price
42	210-02510	Relay Sprinkler System	1.	LS		
43	210-04010	Adjust Manhole	7.	EA		
44	210-04015	Modify Manhole	1.	EA		
45	210-04020	Modify Inlet	1.	EA		
46	210-04050	Adjust Valve Box	2.	EA		
47	212-00706	Seeding (Native) Drill	0.26	AC		
48	212-00050	Sod	60.	SF		
49	213-00065	Mulching (Weed Free Straw)	0.26	AC		
50	213-00061	Mulch Tackifier	52.	LB		
51	213-00440	Metal Landscape Border (1/8 x 4 Inch)	946.	LF		
52	213-00700	Landscape Boulder (Small 3'x2'x2')	91.	EA		
53	213-00705	Landscape Boulder (Large, 3'x4'x2')	1.	EA		
54	213-00705	Metal Plants (Special)	12.	EA		
55	214-00000	Landscape Maintenance	1.	LS		
56	214-00215	Deciduous Tree (1.5 Inch Caliper)	1.	EA		
57	214-00350	Deciduous Shrub (5 Gallon Container)	27.	EA		
58	214-00506	Evergreen Tree (6 Foot) (Ball and Burlap)	2.	EA		
59	214-00650	Evergreen Shrub (5 Gallon Container)	10.	EA		
60	214-00910	Perennials (1 Gallon Container)	176.	EA		
61	240-00015	Wildlife Biologist	40.	HOUR		
62	250-00224	Hazardous Waster Disposal (Radioactive)	35.	CY		
63	304-03000	Aggregate Base Course (Class 3)	1,980.	TON		
64	304-06000	Aggregate Base Course (Class 6)	3,856.	TON		
65	306-01000	Reconditioning	7,468.	SY		
66	403-00721	Hot Mix Asphalt (Patching) (Asphalt)	20.	SY		
67	403-34741	Hot Mix Asphalt (Grading SX) (75) (PG 64-22)	147.	TON		
68	411-10255	Emulsified Asphalt (Slow-Setting)	80.	GAL		
69	412-00600	Concrete Pavement (6 Inch)	138.	SY		
70	412-00800	Concrete Pavement (8 Inch)	80.	SY		
71	412-01100	Concrete Pavement (11 Inch)	5,707.	SY		
72	412-01105	Concrete Pavement (11 Inch)	475.	SY		
73	412-01120	Concrete Pavement (11 Inch) (Fast Track)	284.	SY		
74	420-00133	Geotextile (Separator) (Class 2)	1,650.	SY		
75	506-01020	Geogrid Reinforcement	1,650.	SY		
76	603-50012	12 Inch Plastic Pipe	264.	LF		
77	604-19005	Inlet Special (5 Foot)	2.	EA		
78	604-19010	Inlet Special (10 Foot)	2.	EA		
79	604-30005	Manhole Slab Base (5 Foot)	2.	EA		
80	604-30010	Manhole Slab Base (10 Foot)	3.	EA		
81	604-83108	8 Inch Plastic Pipe Sewer (Polyvinyl Chloride)	42.	LF		
82	608-00000	Concrete Sidewalk	1,004.	SY		

Bid Schedule: 23652 - Horizon Drive and G Road Roundabout

Item No.	CDOT, City Ref.	Description	Quantity	Units	Unit Price	Total Price
83	608-00010	Concrete Curb Ramp	139.	SY		
84	608-00015	Detectable Warnings	316.	SF		
85	609-20010	Curb Type 2 (Section B)	610.	LF		
86	609-21023	Curb and Gutter Type 2 (Section II-B) (Special)	1,436.	LF		
87	609-21110	Curb and Gutter Type 2 (Section I-B) (Special)	2,007.	LF		
88	610-00026	Median Cover Material (6 Inch Patterned Concrete)	9,023.	SF		
89	610-00100	Median Edging (Pattern Concrete)	445.	LF		
90	612-00041	Delineator (Flexible) (Type I)	1.	EA		
91	613-01200	2 Inch Electrical Conduit (Plastic)	2,770.	LF		
92	613-01201	2 Inch Electrical Conduit (Plastic) (Special)	1,157.	LF		
93	613-01201	3/4 Inch Electrical Conduit (Plastic) (Special)	100.	LF		
94	613-07002	Type Two Pull Box	35.	EA		
95	613-07005	Type Five Pull Box	3.	EA		
96	613-10000	Wiring	1.	LS		
97	613-30001	Light Standard and Luminaire Single Post Top (Pedestrian)	8.	EA		
98	613-30002	Light Standard and Luminaire Dual Head (Pedestrian)	8.	EA		
99	613-40012	Light Standard Foundation Special	16.	EA		
100	613-50106	Lighting Control Center (Special)	1.	EA		
101	614-00011	Sign Panel (Class I)	454.4	SF		
102	614-00012	Sign Panel (Class II)	48.	SF		
103	614-01503	Steel Sign Support (2-inch Round)(Post and Socket)	44.	EA		
104	614-01573	Steel Sign Support (2-1/2 Inch Round NP-40)(Post & Slipbase)	17.	EA		
105	614-80003	Rectangular Rapid Flashing Beacon	17.	EA		
106	614-84000	Traffic Signal Pedestal Pole Steel	1.	EA		
107	620-00002	Field Office (Class 2)	1.	EA		
108	620-00020	Sanitary Facility	1.	EA		
109	621-00450	Detour Pavement	1,700.	SY		
110	623-00162	Drip Emitter Tubing	1,007.	LF		
111	623-00164	Drip Emitter	452.	EA		
112	623-00184	1/2 Inch Flush Unit	55.	EA		
113	623-00600	1-1/2 Inch Plastic Pipe	1,420.	LF		
114	623-00601	1 Inch Plastic Pipe	1,343.	LF		
115	623-00604	4 Inch Plastic Pipe (Irrigation/Sleeve)	240.	LF		
116	623-00606	6 Inch Plastic Pipe (Irrigation/Sleeve)	370.	LF		
117	623-01708	1 Inch Backflow Preventor	1.	EA		
118	623-01808	1 Inch Pressure Reducing Valve	1.	EA		
119	623-01908	1 Inch Strainer	1.	EA		
120	623-02006	3/4 Inch Drain Valve	1.	EA		
121	623-03108	1 Inch Automatic Control Valve	5.	EA		

Bid Schedule: 23652 - Horizon Drive and G Road Roundabout

Item No.	CDOT, City Ref.	Description	Quantity	Units	Unit Price	Total Price
122	623-03112	1-1/2 Inch Automatic Control Valve	1.	EA		
123	623-04000	2-wire Control, including decoders, grounding (Special)	1.	LS		
124	623-04002	Power Source Wire	130.	LF		
125	623-04006	3/4 Inch Quick Coupler Valve	5.	EA		
126	623-04520	1-1/2 Inch Ball Valve (Special)	5.	EA		
127	623-06900	Valve Box	5.	EA		
128	623-07601	1 Inch Flow Sensor (Special)	1.	EA		
129	623-08148	60 Station Automatic Controller (Special)	1.	EA		
130	623-09900	Sprinkler System	1.	LS		
131	625-00000	Construction Surveying	1.	LS		
132	626-00000	Mobilization	1.	LS		
133	626-01000	Public Information Services	1.	LS		
134	627-00013	Pavement Marking Paint (High Build)	1.	GAL		
135	627-00008	Modified Epoxy Pavement Marking	11.	GAL		
136	627-02010	Preformed Plastic Pavement Marking (Type II)	973.	SF		
137	627-30407	Preformed Thermoplastic Pavement Marking (Word-Symbol) (Special)	776.	SF		
138	627-30411	Preformed Thermoplastic Pavement Marking (Xwalk-Stop Line) (Special)	1,048.	SF		
139	630-00000	Flagging	90.	DAYS		
140	630-00007	Traffic Control Inspection	30.	DAYS		
141	630-00012	Traffic Control Management	80.	DAYS		
142	630-80336	Barricade (Type 3 M-B) (Temporary)	12.	EA		
143	630-80341	Construction Traffic Sign (Panel Size A)	126.	EA		
144	630-80342	Construction Traffic Sign (Panel Size B)	44.	EA		
145	630-80343	Construction Traffic Sign (Panel Size C)	8.	EA		
146	630-80344	Construction Sign Panel (Special)	112.	SF		
147	630-80355	Portable Message Sign Panel	4.	EA		
148	630-80357	Advance Warning Flashing or Sequencing Arrow Panel (B Type)	5.	EA		
149	630-80360	Drum Channelizing Device	140.	EA		
150	630-80364	Drum Channelizing Device (With Light) (Steady)	20.	EA		
151	630-80370	Barrier (Temporary)	200.	LF		
152	630-80380	Traffic Cone	20.	EA		
153	630-80390	Channelizing Device (Special)	90.	EA		
154	630-85010	Impact Attenuator (Temporary)	2.	EA		
155	632-00000	Night Work Lighting	30.	DAY		
156	700-70023	F/A On The Job Trainee	320.	HOUR	\$	
157	700-70019	F/A Asphalt Cement Cost Adjustment	2,000.	FA		\$ 2,000.00
158	700-70016	F/A Fuel Cost Adjustment	2,500.	FA		\$ 2,500.00
159	700-70111	F/A Project First Program	1,000.	FA		\$ 1,000.00
160	700-70013	F/A Concrete Pavement Incentive	50,000.	FA		\$ 50,000.00

Bid Schedule: 23652 - Horizon Drive and G Road Roundabout

Item No.	CDOT, City Ref.	Description	Quantity	Units	Unit Price	Total Price
161	700-70010	F/A Minor Contract Revisions	115,600.	FA		\$ 115,600.00
Bid Amount:						\$

Bid Amount:

_____ **dollars**

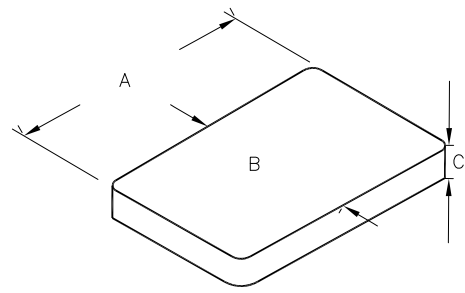
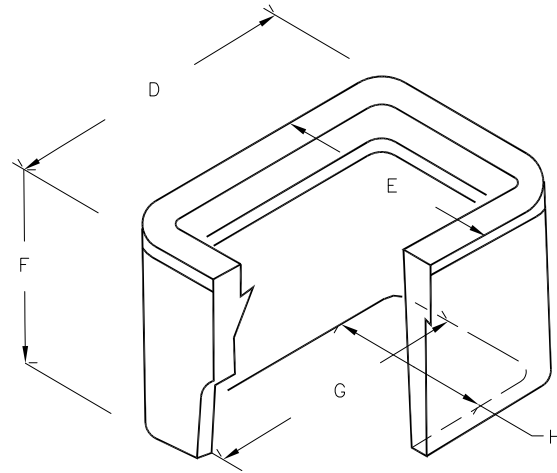


TABLE OF DIMENSIONS (MINIMUMS)									
TYPE	DESCRIPTION	DIMENSIONS (IN.)							
		A	B	C	D	E	F	G	H
1	PULL BOX - (11"x18"x12")	18 1/8	11 1/4	1 3/4	20 1/4	13 3/8	12	15 3/4	8 7/8
2	PULL BOX - (13"x24"x12")	23 1/4	13 3/4	2	25	15 1/2	12	19 1/4	9 3/4
3	PULL BOX - (17"x30"x12")	30 1/2	17 1/2	2	32 1/4	19 1/4	12	26 1/2	13 1/2
4	PULL BOX - (24"x36"x24")	35 5/8	24	3	37 5/8	26	24	30 1/8	18 1/2
5	PULL BOX - (30"x48"x24")	47 5/8	30	3	49 5/8	32 1/8	24	45 5/8	28 1/8



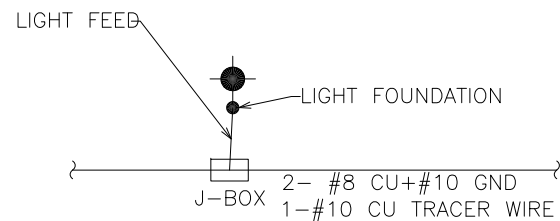
STREET LIGHT, FIBER AND PEDESTRIAN LIGHT PULL BOX

NOTES:

- PULL BOXES, PULL BOX COVERS AND EXTENSIONS SHALL BE MADE OF FIBERGLASS REINFORCED POLYMER CONCRETE. PULL BOXES SHALL BE VERIFIED BY A 3RD PARTY NATIONALLY RECOGNIZED INDEPENDENT TESTING LABORATORY AS MEETING ALL TEST PROVISIONS OF THE LATEST ANSI/SCTE 77 SPECIFICATION FOR UNDERGROUND ENCLOSURE INTEGRITY, TIER 22 RATING. CERTIFICATION DOCUMENTS SHALL BE SUBMITTED WITH MATERIALS SUBMITTALS. THE PULL BOX SHALL HAVE A DETACHABLE COVER WITH A SKID RESISTANT SURFACE AND HAVE THE WORDS ELECTRICAL CAST INTO THE SURFACE. PAINTING THE WORDS SHALL NOT BE ACCEPTED. MARKINGS SHOWING THE TIER 22 RATING MUST BE LABELED OR STENCILED ON THE INSIDE AND OUTSIDE OF THE BOX AND ON THE UNDER SIDE OF THE COVER. THE COVER SHALL BE ATTACHED TO THE PULL BOX BODY BY MEANS OF A MINIMUM 3/8 - 7 UNIFIED NATIONAL COURSE (UNC) STAINLESS STEEL PENTA HEAD BOLTS AND SHALL HAVE TWO LIFT SLOTS TO AID IN THE REMOVAL OF THE LID.
- PULL SLOTS SHALL BE RATED FOR A MINIMUM PULL OUT OF 3,000 POUNDS. MAGNESIUM CHLORIDE TESTS SHOULD BE PERFORMED IN ACCORDANCE WITH THE LATEST ANSI/SCTE 77 SPECIFICATION FOR UNDERGROUND ENCLOSURE INTEGRITY, TIER 22 RATING.
- PROVIDE AT LEAST 6 INCHES OF PEA GRAVEL MEASURED FROM BOTTOM OF PULL BOX FOR DRAINAGE. PEA GRAVEL IS INCLUDED IN PULL BOX PAY ITEM.
- DIMENSIONS SHOWN HERE FOR LAYOUT AND PLANNING PURPOSES. CONTRACTOR SHALL RELY ON MANUFACTURER DETAILS.
- ELECTRIC PULL BOX WILL BE LABELED "ELECTRIC", FIBER PULLBOX WILL BE LABELED "GJ FIBER"
- ELECTRIC WILL BE TYPE 2 AND FIBER WILL BE TYPE 5, REFERENCE DRAWING E 11 DETAIL "MARTIN ENTERPRISES 3048 BROADBAND PULLBOX" FOR FIBER PULLBOX OF THIS DRAWING SET.
- WEATHERPROOF TAGS SHALL BE INSTALLED ON ALL FIBER CABLES AND SHALL BE INCLUDED IN THE COST OF ELECTRICAL CONDUIT ITEM.
- TRACER WIRE AND PULL ROPE SHALL BE INCLUDED IN THE COST OF ELECTRICAL CONDUIT ITEM.
- MAIN BACKBONE AND LATER FIBER CONDUIT: IF INSTALLATION INCLUDES MULTIPLE RUNS OF CONDUIT, PULL ROPE SHALL BE INSTALLED IN EACH INDIVIDUAL CONDUIT. TRACER WIRE SHALL BE INSTALLED IN ONLY ONE CONDUIT. IF INSTALLATION INCLUDES ONLY ONE RUN OF CONDUIT, PULL ROPE AND TRACER WIRE SHALL BE INSTALLED IN SAME CONDUIT AS FIBER CABLE.

C TYPICAL UTILITY BOX DETAIL

1 NOT TO SCALE



TYPE	MANUFACTURER MODEL NUMBER	APPROVAL	VOLTAGE MOUNTING # OF LAMPS	BALLAST LAMPE TYPE LAMP CAT. #	DESCRIPTION
SA	STERNBERG LIGHTING 1220LEDPT/S4 PT/5SQ14/ 4A1R35T3/MDL03/SV1/BKT	OWNER REQUESTED	MVOLT POLE 1	ELECTRONIC LED 95	PEDESTRIAN LUMINAIRE, POST TOP MOUNTED, LED, CUTOFF, ORDER POLE SO THAT LAMP HEIGHT IS 12' AFG MEASURED AT BOTTOM OF LUMINAIRE
SB	STERNBERG LIGHTING 2-1220LED/HCT/5SQ/16'2"/ 4A1R35T3/MDL03/SV1/BKT	OWNER REQUESTED	MVOLT POLE 2	ELECTRONIC LED 95	POST ARM MOUNTED PEDESTRIAN LUMINAIRE, LED, CUTOFF, ORDER POLE HEIGHT SO THAT LAMP HEIGHT IS 12' AFG MEASURED AT BOTTOM OF LUMINAIRE.
SC	AMERICAN ELECTRIC LIGHTING ATBM-P40-MVOLT-R3-4-3K-P7-SH- BAA	OWNER REQUESTED	MVOLT POLE 1	ELECTRONIC LED 135W	ROAD WAY LUMINAIRE, LED, ORDER POLE SO THAT LAMP HEIGHT IS 30' AFG MEASURED AT BOTTOM OF LUMINAIRE. LUMINAIRE TO HAVE SINGLE 10' ARM. PURCHASED AND INSTALLED BY XCEL ELECTRIC.
SD	AMERICAN ELECTRIC LIGHTING ATBM-P40-MVOLT-R3-4-3K-P7-SH- BAA	OWNER REQUESTED	MVOLT DUAL ARM POLE 2	ELECTRONIC LED 270W	ROAD WAY LUMINAIRE, LED, ORDER POLE SO THAT LAMP HEIGHT IS 30' AFG MEASURED AT BOTTOM OF LUMINAIRE. DUAL LUMINAIRES TO BE MOUNTED TO TWO 10' ARMS. PURCHASED AND INSTALLED BY XCEL ELECTRIC.

C UTILITY BOX CONNECTION DETAIL

2 NOT TO SCALE

NOTES:

- ALL WIRING TO LIGHTS WILL BE WIRED IN PARALLEL NOT IN SERIES WITH #8 WIRE FEED TO REDUCE VOLTAGE DROP.
- PROVIDE #10 TRACER WIRE IN ALL NEW CONDUIT.



Know what's below.
Call before you dig.

Print Date: 10/16/2023	Sheet Revisions			Colorado Department of Transportation	AS CONSTRUCTED	HORIZON DR AND G RD ROUNDABOUT ELECTRICAL DETAILS		Project No./Code	
File Name:	Date:	Comments	Init.		No Revisions:			SHE M555-034	
Horiz. Scale: AS SHOWN	Vert. Scale: 1	12/19/24	CLARIFIED FIBER TYPE	606 South 9th Street Grand Junction, CO, 81501 Phone: 970-683-6351 FAX: 970-683-6369 Region 3	Revised:	Designer: AJM	Structure Numbers	23652	
Unit Information: City of GJ Unit Leader Initials: LF					Void:	Detailer: AJM			
ACM CONSULTING AND ENGINEERING PH: (970) 245-7292 EMAIL: JOELM@ACMENGRS.COM						Sheet Subset: LIGHTING	Subset Sheets: 10 of 16		E10