



Purchasing Division

ADDENDUM NO. 4

DATE: January 9, 2025
FROM: City of Grand Junction Purchasing Division
TO: All Offerors
RE: Horizon Drive and G Road Roundabout IFB-5548-24-DD

Offerors responding to the above referenced solicitation are hereby instructed that the requirements have been clarified, modified, superseded, and supplemented as to this date as hereinafter described.

Please make note of the following questions/answers/clarifications:

1. **Clarification:** RRFB pole and base shall be revised from the CDOT standard S-614-14 per the redlines attached. Steel poles and bases shall be replaced by aluminum.

**** Attached Details****

The original solicitation for the project noted above is amended as noted. All other conditions of the subject remain the same.

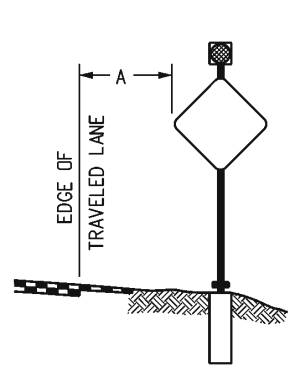
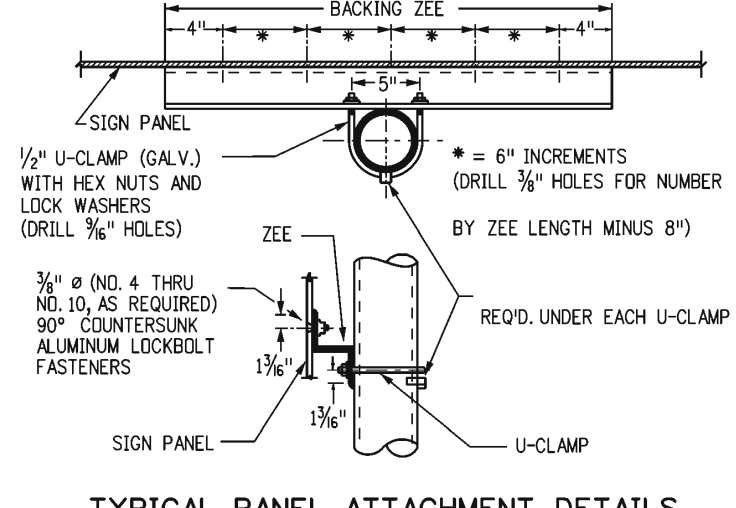
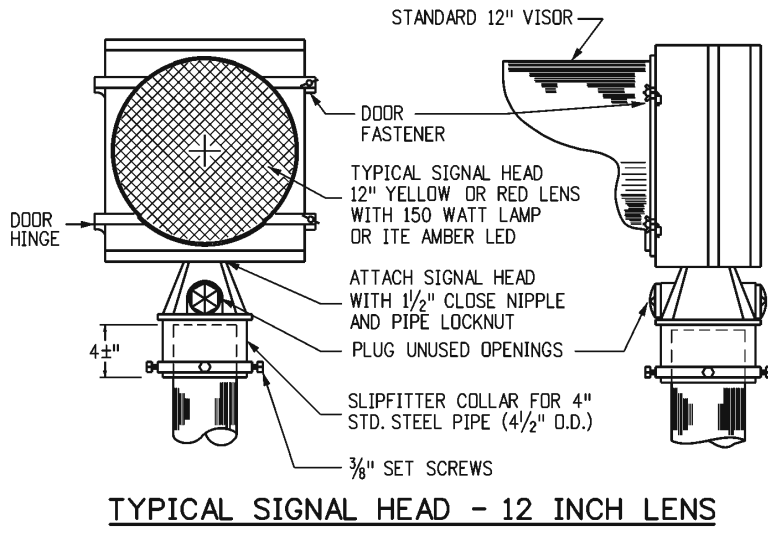
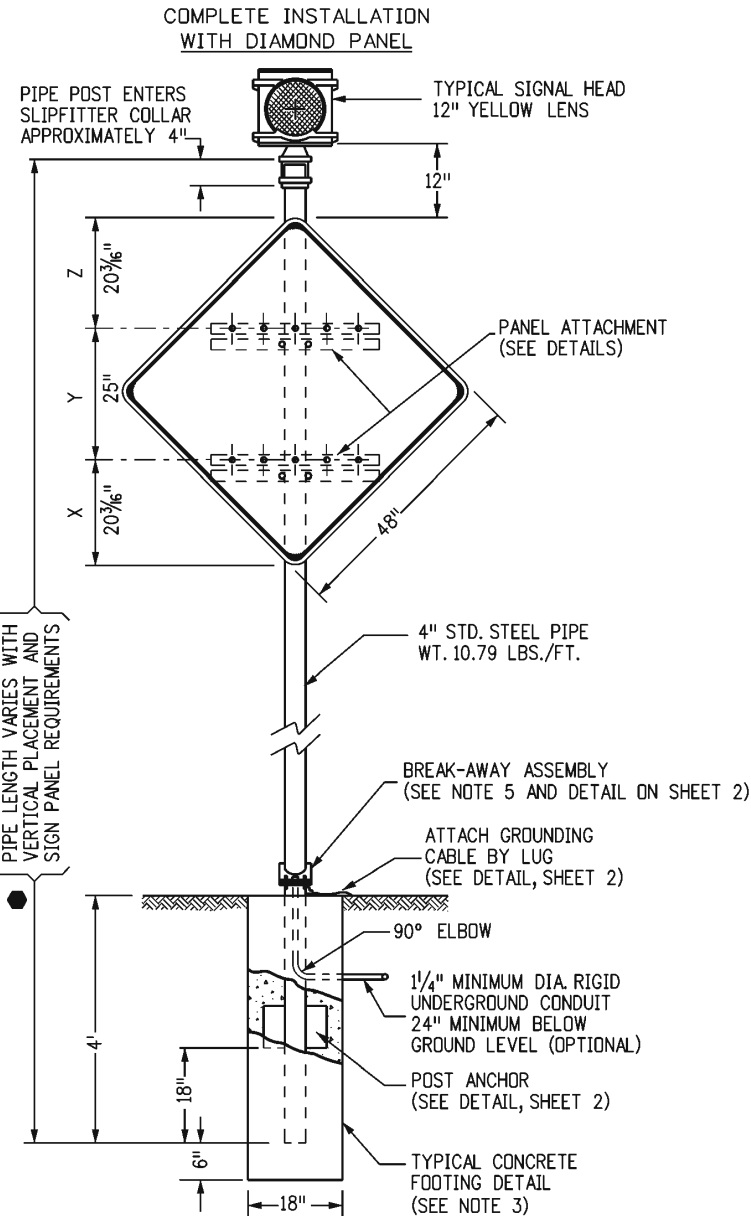
Respectfully,

A handwritten signature in blue ink that reads "Dolly Daniels".

Dolly Daniels, Senior Buyer
City of Grand Junction, Colorado

GENERAL NOTES

- ALL SIGN PANELS USED ON FLASHING BEACONS ARE CLASS II AND SHALL BE FABRICATED IN ACCORDANCE WITH:
 - PANELS SHALL BE SINGLE SHEET ALUMINUM 0.100 MINIMUM THICKNESS.
 - BACKING ZEES ARE 3 IN. X 2 1/2 IN. X 2.33 LBS. PER FT. ALUMINUM.
 - ALL SIGNS SHALL BE FABRICATED USING RETROREFLECTIVE SHEETING CONFORMING TO ASTM D4956. THE TYPE SHALL BE DESCRIBED IN THE STANDARD SPECIFICATIONS AND/OR AS SHOWN ON THE PLANS.
 - BOLTS, U-CLAMPS, NUTS AND METAL WASHERS SHALL BE GALVANIZED OR CADMIUM PLATED.
- INSTALLATION DESIGN CONFORMS WITH AASHTO "STANDARD SPECIFICATIONS FOR STRUCTURAL SUPPORTS FOR HIGHWAY SIGNS, LUMINAIRES AND TRAFFIC SIGNALS" AND SHALL BE FABRICATED IN ACCORDANCE WITH:
 - STEEL PIPE, POST ANCHOR PLATES AND BREAK-AWAY PLATES SHALL CONFORM TO AASHTO M270 (ASTM A709) GRADE 36.
 - HIGH STRENGTH BOLTS, NUTS AND WASHERS SHALL CONFORM TO ASTM-A325 AND SHALL BE GALVANIZED OR CADMIUM PLATED.
 - HOLE SHALL BE DRILLED AND CUTS SHALL PREFERABLY BE SAW CUTS; HOWEVER, FLAME CUTTING WILL BE PERMITTED PROVIDED ALL EDGES ARE GROUND. METAL SHALL NOT PROJECT BEYOND THE PLANE OF THE PLATE FACE ON BREAK-AWAY PLATES.
 - ALL WELDING IS TO BE CONTINUOUS AND IN ACCORDANCE WITH CURRENT AWS SPECIFICATIONS.
 - A "KEEPER PLATE" OF THIN (28 GAGE) GALVANIZED SHEET METAL, FABRICATED TO MATCH BREAK-AWAY PLATE DIMENSIONS BUT WITH HOLES RATHER THAN SLOTS, SHALL BE USED TO RESTRAIN BOLT LOOSENING DUE TO WIND VIBRATION.
 - PIPE LENGTH VARIES WITH VERTICAL PLACEMENT, MINIMUM GROUND CLEARANCE (7 FT.) AND THE SIGN PANEL REQUIRED. IT WILL BE AS SHOWN ON THE PLANS, OR AS DETERMINED BY CROSS-SECTION, OR AS DIRECTED BY THE ENGINEER FOR EACH LOCATION (MAXIMUM LENGTH IS APPROXIMATELY 20 FT.-10 IN. AND MINIMUM LENGTH IS APPROXIMATELY 15 FT.-4 IN. IN LENGTH IS NOT SPECIFIED SUPPLY MAXIMUM - MAY REQUIRE FIELD CUT TO CONFORM TO TYPICAL SIGN PLACEMENT DETAILS).
- CONCRETE FOOTINGS FOR FLASHING BEACON INSTALLATIONS SHALL CONFORM TO "DRILLED CAISSONS" AND "STRUCTURAL CONCRETE" (CLASS "BZ").
- ALL ELECTRICAL MATERIALS AND WORKMANSHIP SHALL CONFORM TO THE LATEST REQUIREMENTS OF THE NEC, NEMA, UL OR EIA WHEREVER APPLICABLE; THE COLORADO PUC AND ANY LOCAL CODES OR ORDINANCES WHICH MAY APPLY; AND THE FOLLOWING:
 - THE CONTRACTOR IS TO PROVIDE ALL NECESSARY WIRING WITHIN THE BEACON AND FROM THERE TO THE POWER SOURCE PROVIDED BY THE UTILITY COMPANY. THE UTILITY COMPANY WILL MAKE THE CONNECTION WITH THE CONTRACTOR'S WIRING.
 - THE ELECTRICAL SERVICE BETWEEN THE POWER SOURCE AND THE FLASHING BEACON SHALL BE UNDERGROUND UNLESS AN AERIAL DROP IS AUTHORIZED BY THE ENGINEER. ALL WIRING EXCLUDING THE AERIAL DROP WIRE SHALL BE IN CONDUIT.
 - THE "FLASHER" SHALL BE HOUSED IN A SUITABLE ENCLOSURE ON THE UTILITY POLE AT THE POWER SOURCE UNLESS THE ENGINEER DIRECTS THAT THE ENCLOSURE BE MOUNTED ON THE BEACON PIPE OR THAT THE DEVICE MAY BE CONTAINED WITHIN THE SIGNAL HEAD ITSELF.
 - A SUITABLE ENCLOSURE FOR THE FLASHER SHALL BE IN ACCORDANCE WITH "A RAIN TIGHT JUNCTION BOX OR CAN, APPROXIMATELY 8 IN. X 8 N. X 4 IN., SURFACE MOUNT, WITH A FLANGED SCREW ATTACHED COVER, AND FABRICATED FROM NOT LESS THAN 16 GAGE GALVANIZED STEEL".
 - A BUILT-IN RADIO INTERFERENCE SUPPRESSION DEVICE AND A PHOTOCELL SENSOR TYPE SIGNAL LAMP DIMMER SHALL BE PROVIDED FOR EACH FLASHING BEACON.
 - BEACONS SHALL FLASH AT A RATE OF NOT LESS THAN 50 AND NOT MORE THAN 60 TIMES PER MINUTE.
- BREAKAWAY BASE INSTALLATION SHALL BE USED FOR UNI-DIRECTIONAL CONFIGURATION ONLY. PEDESTAL FOUNDATION (AS SHOWN ON SHEET 3). MAY BE USED FOR BOTH UNI-DIRECTIONAL AND BI-DIRECTIONAL CONFIGURATIONS.
- WHEN SPECIFIED IN THE PLANS, SOLAR POWERED SYSTEM MAY BE USED IN PLACE OF AC POWER SYSTEM SHOWN ON THIS SHEET.
- FOR ADVANCE PLACEMENT OF WARNING SIGNS SEE MUTCD SECTION 2C.05 AND TABLE 2C-4.



LATERAL PLACEMENT ("A")

NORMAL LATERAL PLACEMENT "A" FOR WARNING SIGNS IS 12' PLUS CURB OR SHOULDER WIDTH.

NORMAL LATERAL PLACEMENT "A" FOR REGULATORY SIGNS IS 6' PLUS CURB OR SHOULDER WIDTH, OR IF NONE 12' FROM EDGE OF PAVEMENT.

2' SHALL BE CONSIDERED MINIMUM EXCEPT THAT IN URBAN AREAS 1' FROM THE CURB FACE IS PERMISSIBLE WHERE SIDEWALK WIDTH IS LIMITED OR WHERE EXISTING POLES ARE CLOSE TO THE CURB.

REFER TO COLORADO STANDARD PLAN S-614-1 FOR VERTICAL PLACEMENT REQUIREMENTS.

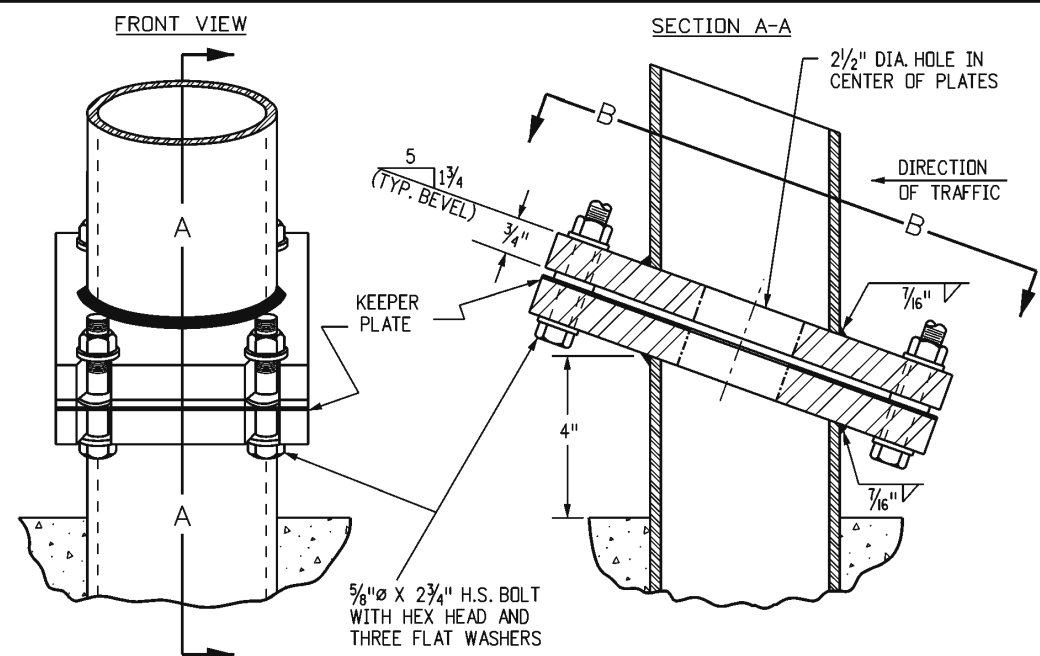
TABLE OF DIMENSIONS FOR PANELS NOT ILLUSTRATED

DESCRIPTION	DIMENSIONS (IN.)			LENS TYPE	BACKING ZEES
	X	Y	Z		
36" DIAMETER CIRCLE PANEL (●)	8	20	8	12" YELLOW	20"
48" DIAMETER CIRCLE PANEL (●)	10 1/2	27	10 1/2	12" YELLOW	20"
36" PENTAGON PANEL (▲)	9	20	9	12" YELLOW	20"
48" PENTAGON PANEL (▲)	12	25 3/4	9	12" YELLOW	20"
48" OCTAGON PANEL (●)	12	24	12	12" RED	20"
24" X 48" RECTANGLE PANEL (■)	12	24	12	12" YELLOW	20"

TYPICAL ELEVATION FACING TRAFFIC

TYPICAL SIGN PLACEMENT

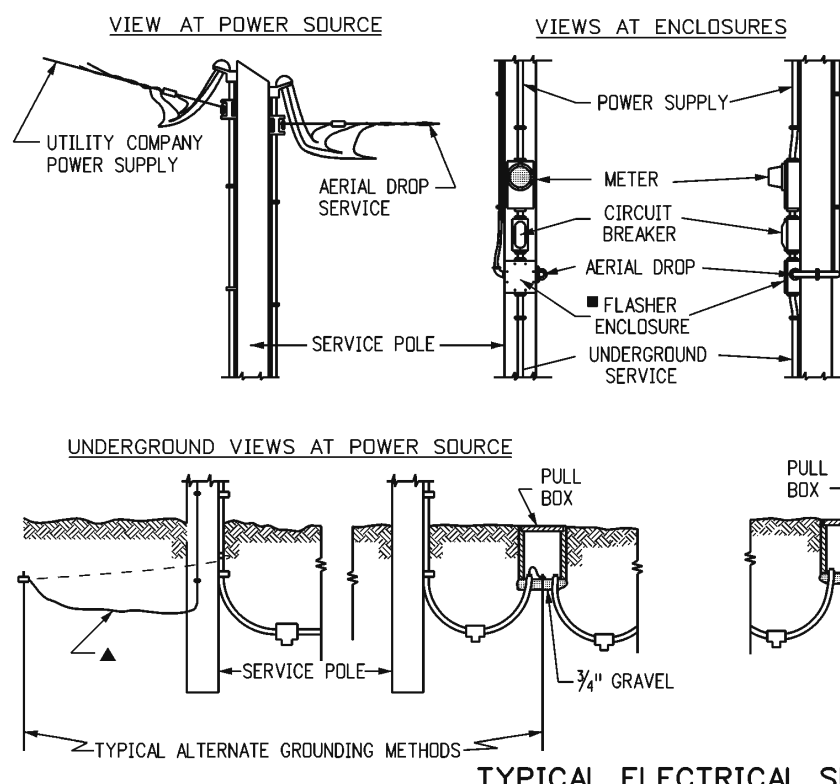
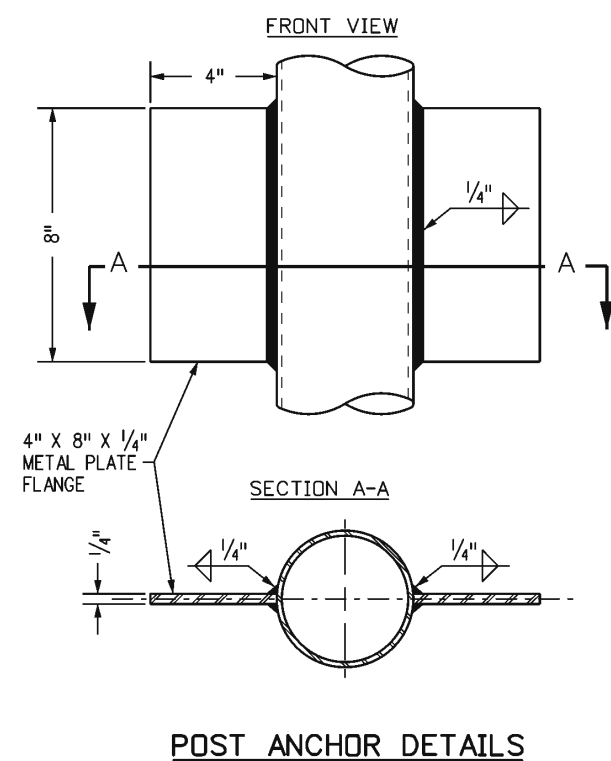
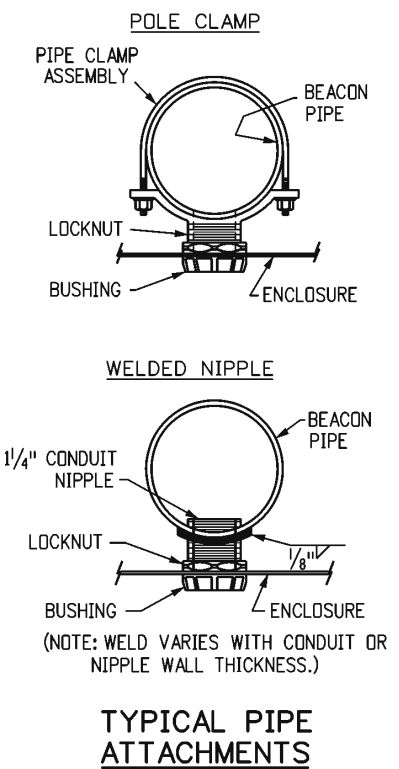
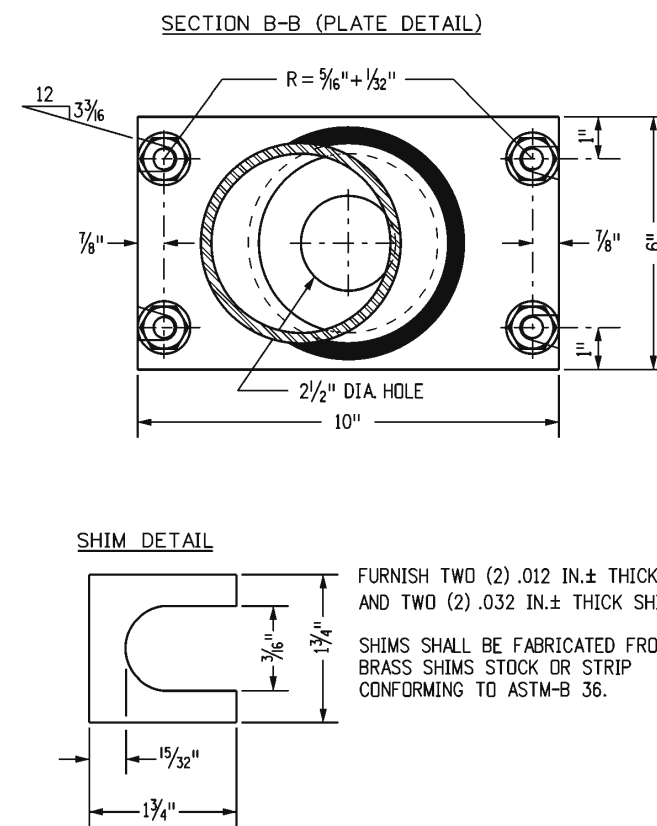
Computer File Information Creation Date: 07/04/12 Created By: Butta KEN Last Modification Date: 07/31/19 Last Modified By: EBUTTA CAD Ver.: MicroStation V8 Scale: Not to Scale Units: English	[] [] [] []	Sheet Revisions		Colorado Department of Transportation 2829 W. Howard Pl. Denver, CO 80204 Phone: 303-757-9436 FAX: 303-757-9219 Traffic & Safety Engineering	<h1>FLASHING BEACON AND SIGN INSTALLATIONS</h1> MKB	STANDARD PLAN NO.
		Date:	Comments			S-614-14
						Standard Sheet No. 1 of 4
						Project Sheet Number:
						Issued By: Traffic & Safety Engineering Branch July 31, 2019.



BREAK-AWAY ASSEMBLY BOLTING PROCEDURE

1. ASSEMBLE POST TO FOOTING WITH BOLTS- ONE FLAT WASHER ON EACH BOLT TOP AND BOTTOM, AND ONE FLAT WASHER AND THE KEEPER PLATE BETWEEN THE BREAK-AWAY PLATES. USE BRASS SHIMS TO PLUMB THE POST.
2. TIGHTEN ALL BOLTS TO MAXIMUM POSSIBLE WITH A 12 TO 15 INCH PIPE WRENCH TO BED WASHERS AND SHIMS TO CLEAN BOLT THREADS, THEN LOOSEN EACH BOLT IN TURN AND RETIGHTEN IN A SYSTEMATIC ORDER TO 450 INCH-POUNDS TORQUE.
3. BURR THREADS AT JUNCTION WITH NUT USING A CENTER PUNCH TO PREVENT NUT LOOSENING.

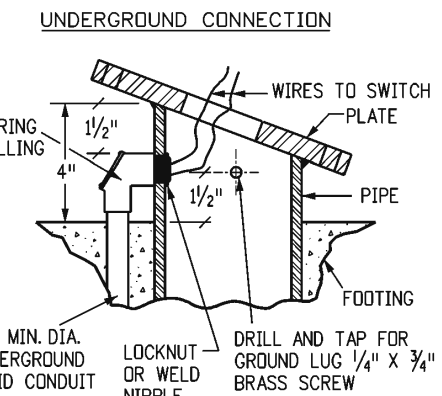
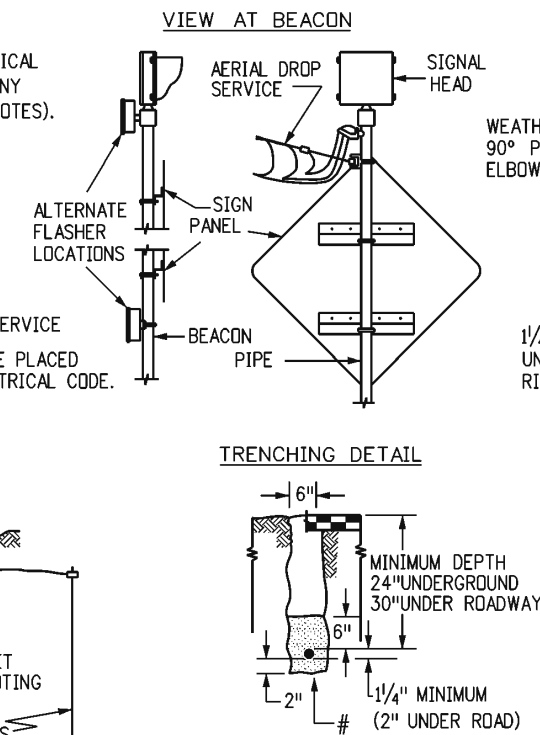
TYPICAL BREAK-AWAY ASSEMBLY DETAILS



NOTES

LOCATION AND CONFIGURATION OF ELECTRICAL EQUIPMENT IS DIAGRAMATIC ONLY (USE ANY METHOD COMPLYING WITH THE GENERAL NOTES).

- ▲ EXISTING GROUND AT SERVICE POLE; OTHERWISE PULL THRU CONDUIT OR ATTACH TO CONDUIT AND TAP OFF UNDERGROUND.
- DRILL AND TAP PIPE FOR 1/4" ROUND ROUND HEAD BRASS SCREW, 3/4" LONG, FOR GROUND LUG.
- PROVIDE WEEP HOLE WITH AERIAL DROP SERVICE
- # BEDDING MATERIAL FOR CONDUIT SHALL BE PLACED IN ACCORDANCE WITH THE NATIONAL ELECTRICAL CODE.



Computer File Information	
Creation Date:	07/04/12
Created By:	Butta KEN
Last Modification Date:	
Last Modified By:	
CAD Ver.: MicroStation V8 Scale: Not to Scale Units: English	

Sheet Revisions	
Date:	Comments

Colorado Department of Transportation

2829 W. Howard Pl.
Denver, CO 80204
Phone: 303-757-9436
FAX: 303-757-9219

Traffic & Safety Engineering MKB

FLASHING BEACON AND SIGN INSTALLATIONS

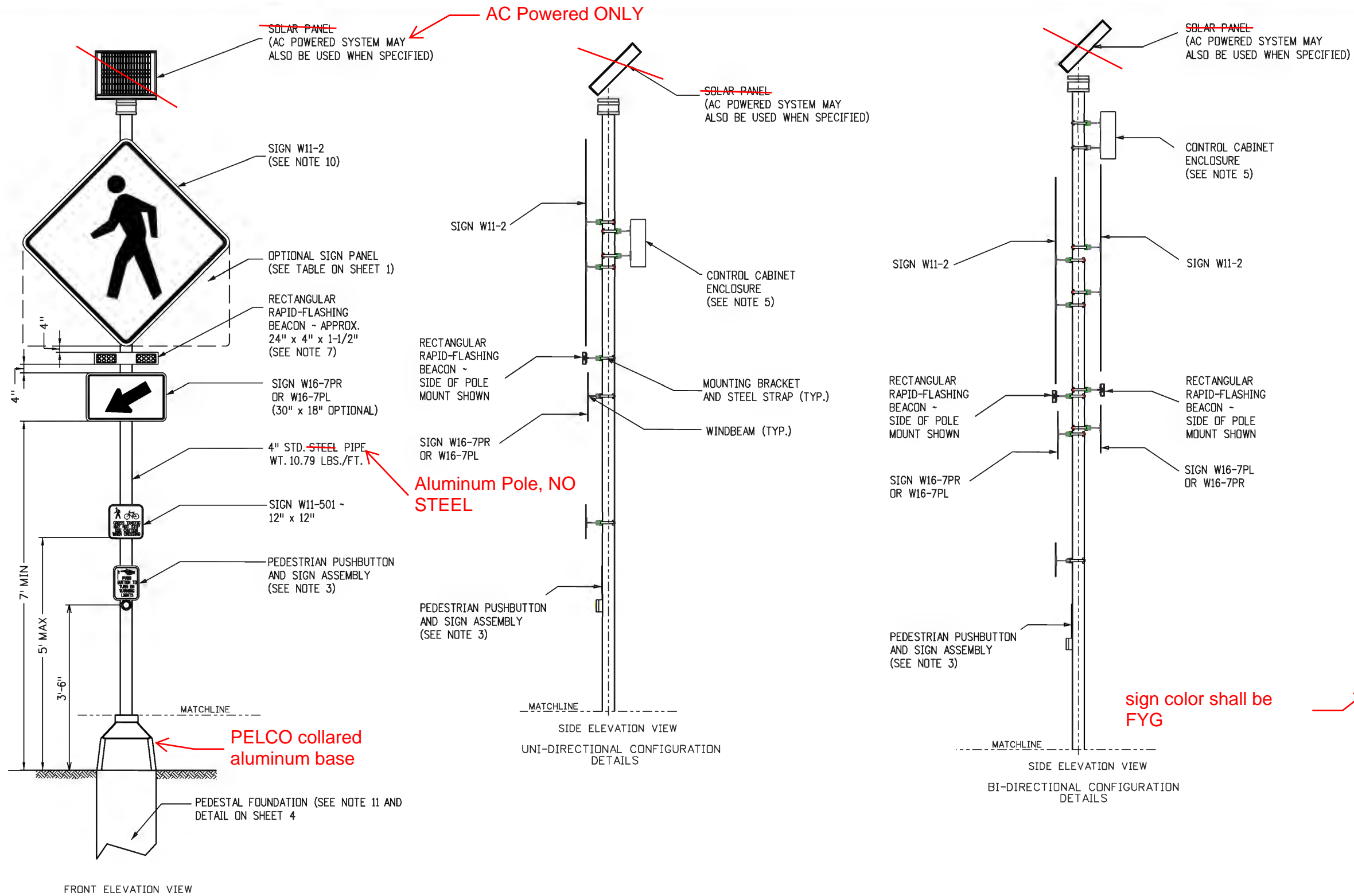
Issued By: Traffic & Safety Engineering Branch July 31, 2019.

STANDARD PLAN NO.

S-614-14

Standard Sheet No. 2 of 4


Project Sheet Number:

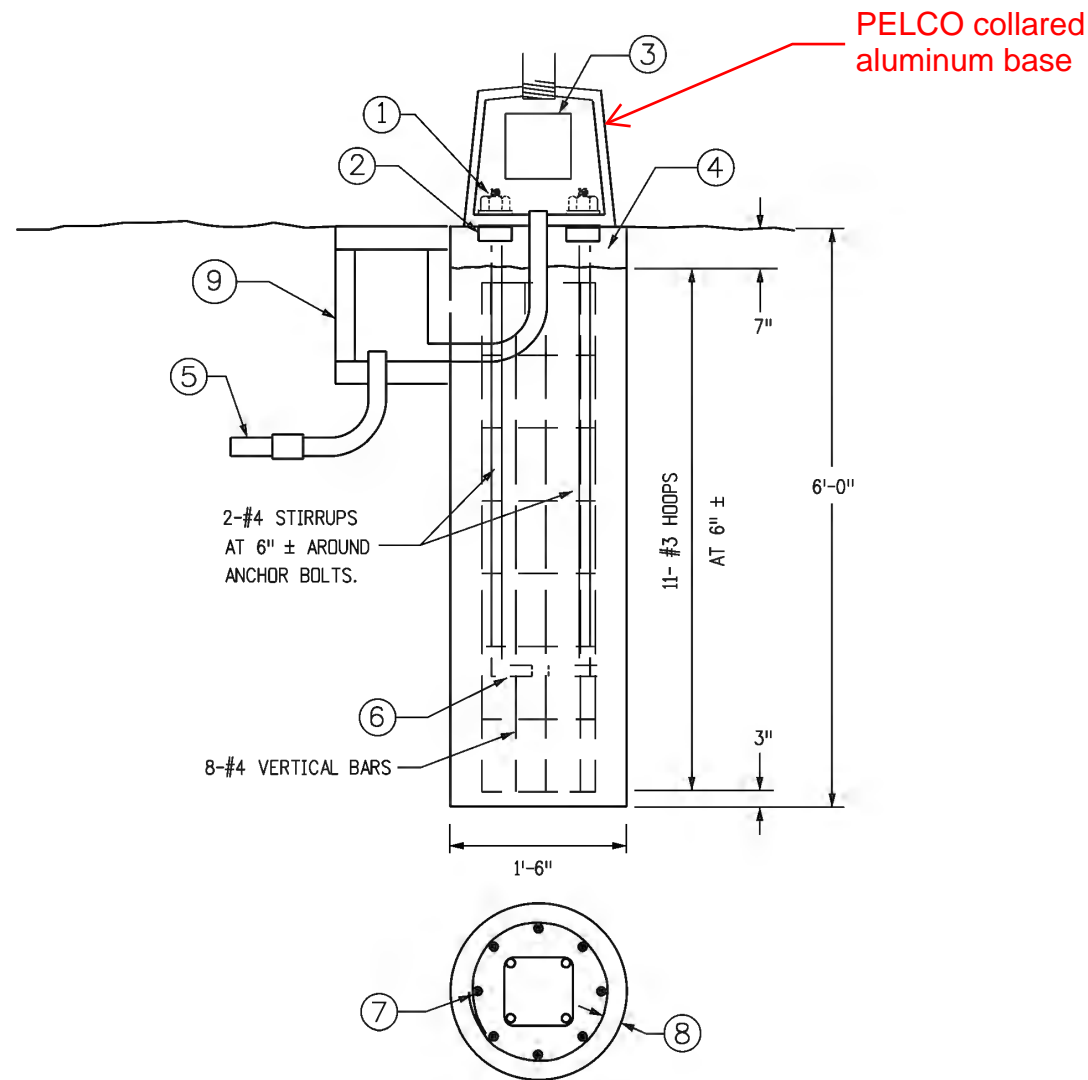


GENERAL NOTES

- 1. THE RRFB SYSTEM SHALL ADHERE TO ALL ASPECTS OF THE FEDERAL HIGHWAY ADMINISTRATION, INTERIM APPROVAL 21-RECTANGULAR RAPID-FLASHING BEACONS AT UNCONTROLLED MARKED CROSSWALKS (FHWA 1A-21).
- 2. AN RRFB SHALL ONLY BE USED TO SUPPLEMENT A POST-MOUNTED W11-2, S1-1, OR W11-15 SIGN WITH 16-7P PLAQUE, LOCATED IMMEDIATELY ADJACENT TO AN UNCONTROLLED MARKED CROSSWALK.
- 3. PEDESTRIAN PUSHBUTTON AND SIGN ASSEMBLY MAY BE SEPARATE PARTS. USE R10-25 (9" X 12") SIGN IN ACCORDANCE WITH 2009 MUTCD. SIGN MAY INCLUDE INTEGRATED WARNING LIGHTS.
- 4. TERMINATE RRFB CONNECTIONS PER MANUFACTURER'S RECOMMENDATION.
- 5. CONTROL CABINET ENCLOSURE SHALL BE SIZED BY THE RRFB MANUFACTURER.
- 6. BEACON ASSEMBLY MAY BE MOUNTED ON THE SIDE OF THE POLE AS SHOWN OR ON THE TOP OF THE POLE IF SPECIFIED.
- 7. RRFB DISPLAYS SHALL BE LED TYPE MEETING THE INTENSITY REQUIREMENTS OF SAE J595 FOR CLASS 1 YELLOW, BUT SHALL NOT EXCEED 1000 CANDELAS DURING DAYLIGHT AND 500 CANDELAS AFTER DARK.
- 8. SEE SHEET 1, 2 AND 4 FOR STANDARD BASE AND FOUNDATIONS DETAILS.
- 9. WHEN SPECIFIED IN THE PLANS, AC POWER SYSTEM (AS SHOWN ON SHEET 1) MAY BE USED IN PLACE OF SOLAR POWERED SYSTEM SHOWN ON THIS SHEET.
- 10. FOR POSTED SPEEDS OF 35 MPH OR LOWER, THE W11-2 SIGNS SHALL BE 36" x 36". FOR POSTED SPEEDS OF 40 MPH OR HIGHER, THE W11-2 SIGNS SHALL BE 48" x 48".
- 11. PEDESTAL FOUNDATION MAY BE USED FOR BOTH UNI-DIRECTIONAL AND BI-DIRECTIONAL CONFIGURATIONS. BREAKAWAY BASE INSTALLATION (AS SHOWN ON SHEET 1) SHALL BE USED FOR UNI-DIRECTIONAL CONFIGURATION ONLY.

RECTANGULAR RAPID-FLASHING BEACON (RRFB)

Computer File Information Creation Date: 07/31/19 Created By: EButta Last Modification Date: Last Modified By: CAD Ver.: MicroStation V8 Scale: Not to Scale Units: English			Sheet Revisions <table border="1"> <thead> <tr> <th>Date:</th> <th>Comments</th> </tr> </thead> <tbody> <tr><td> </td><td> </td></tr> <tr><td> </td><td> </td></tr> <tr><td> </td><td> </td></tr> </tbody> </table>		Date:	Comments							Colorado Department of Transportation  2829 W. Howard Pl. Denver, CO 80204 Phone: 303-757-9436 FAX: 303-757-9219 Traffic & Safety Engineering		FLASHING BEACON AND SIGN INSTALLATIONS Issued By: Traffic & Safety Engineering Branch July 31, 2019.		STANDARD PLAN NO. S-614-14 Standard Sheet No. 3 of 4 Project Sheet Number:	
Date:	Comments																	
				MKB														



ALTERNATE PEDESTAL BASE INSTALLATION

GENERAL NOTES

1. POLE AND PEDESTAL MUST BE DESIGNED TO MEET THE REQUIREMENTS OUTLINED IN THE "STANDARD SPECIFICATIONS FOR STRUCTURAL SUPPORTS FOR HIGHWAY SIGNS LUMINAIRES AND TRAFFIC SIGNALS", PUBLISHED BY AASHTO, FOR A WIND VELOCITY OF 100 MPH. THE CONTRACTOR SHALL SUBMIT TWO SETS OF WORKING DRAWINGS, SIGNED AND SEALED BY A PROFESSIONAL ENGINEER REGISTERED IN THE STATE OF COLORADO, IN ACCORDANCE WITH SECTION 105.02 OF THE STANDARD SPECIFICATIONS FOR ROAD AND BRIDGE CONSTRUCTION.

DESIGN DATA

THE DESIGNS HEREIN ASSUME THAT FLASHING BEACONS ARE INSTALLED WITHIN THE ROADWAY PRISM WITH THE FOLLOWING SOIL PARAMETERS:
 SOIL DENSITY $\gamma = 110$ LB./CU.FT.
 SOIL COHESION = 750 LB./SQ.FT. FOR MEDIUM STIFF COHESIVE SOIL
 SOIL ϕ ANGLE = 30 DEG. FOR MEDIUM DENSE COHESIONLESS SOIL
 SF = 3.0 FOR FLEXURAL RESISTANCE


CONTACT THE ENGINEER IF THE FLASHING BEACON WILL NOT BE INSTALLED WITHIN THE ROADWAY PRISM OR IF ANY OF THE FOLLOWING SOIL CONDITIONS ARE ENCOUNTERED DURING DRILLING:

- A) THE SOIL HAS A HIGH ORGANIC CONTENT OR CONSISTS OF SATURATED SILT AND CLAY.
- B) THE SITE WON'T SUPPORT THE WEIGHT OF THE DRILLING RIG.
- C) THE FOUNDATION SOILS ARE NOT HOMOGENOUS.
- D) FIRM BEDROCK IS ENCOUNTERED.
- E) A HIGH GROUNDWATER TABLE IS ENCOUNTERED.
- F) LARGE BOULDERS ARE ENCOUNTERED.

FOOTING DESIGN IS BASED ON 100 MPH WIND LOAD ON A 48 IN. X 48 IN. DIAMOND SIGN PANEL MOUNTED 9 FT. ABOVE THE GROUND, WITH A 24 IN. X 24 IN. RECTANGULAR PLAQUE UNDERNEATH AND A FLASHING BEACON 12 IN. ABOVE. IF A SIGN CONFIGURATION IS PROPOSED THAT EXCEEDS THESE DIMENSIONS, THE FOOTING DESIGN MUST BE ENGINEERED AND SIGNED AND SEALED BY A PROFESSIONAL ENGINEER REGISTERED IN THE STATE OF COLORADO.

FOOTING NOTES

- | | |
|---|--|
| <ol style="list-style-type: none"> 1) HEX NUTS 2) SQUARE NUTS 3) HAND HOLE SHALL BE PROVIDED. 4) 4 IN. MIN. NON-SHRINKABLE GROUT OVER ROUGH FOUNDATION 5) SCHEDULE 80 PVC (24 IN. MIN. DEPTH, 30 IN. MIN. DEPTH UNDER ROADWAY) CONDUIT STUB FROM PULL BOX TO POLE SHALL BE 2" MIN. DIAMETER. | <ol style="list-style-type: none"> 6) INSTALL ANCHOR BOLTS (FURNISHED WITH POLE) PER MANUFACTURER'S TEMPLATE PRINT (FURNISHED WITH ORDER) 7) MINIMUM OVERLAP OF 12 IN. 8) 1-1/2 IN. CLEARANCE FOR HOOPS 9) STANDARD PULL BOX.... TYPE ??? <p>CAISSON DESIGNS REQUIRE THAT THE CAISSON BE FOUNDED IN COMPACT SAND, CLAY OR SANDY CLAY. IF, BY VISUAL INSPECTION OF THE HOLE, OTHER MATERIAL IS PRESENT, THE CAISSON DESIGN SHALL BE MODIFIED AS DETERMINED BY THE ENGINEER.</p> |
|---|--|

Computer File Information		Sheet Revisions		Colorado Department of Transportation  2829 W. Howard Pl. Denver, CO 80204 Phone: 303-757-9436 FAX: 303-757-9219	FLASHING BEACON AND SIGN INSTALLATIONS	STANDARD PLAN NO.
Creation Date: 07/04/12		Date:	Comments			S-614-14
Created By: Butta KEN						Standard Sheet No. 4 of 4
Last Modification Date:					Project Sheet Number:	
Last Modified By:						
CAD Ver.: MicroStation V8 Scale: Not to Scale Units: English				Traffic & Safety Engineering	MKB	Issued By: Traffic & Safety Engineering Branch July 31, 2019.