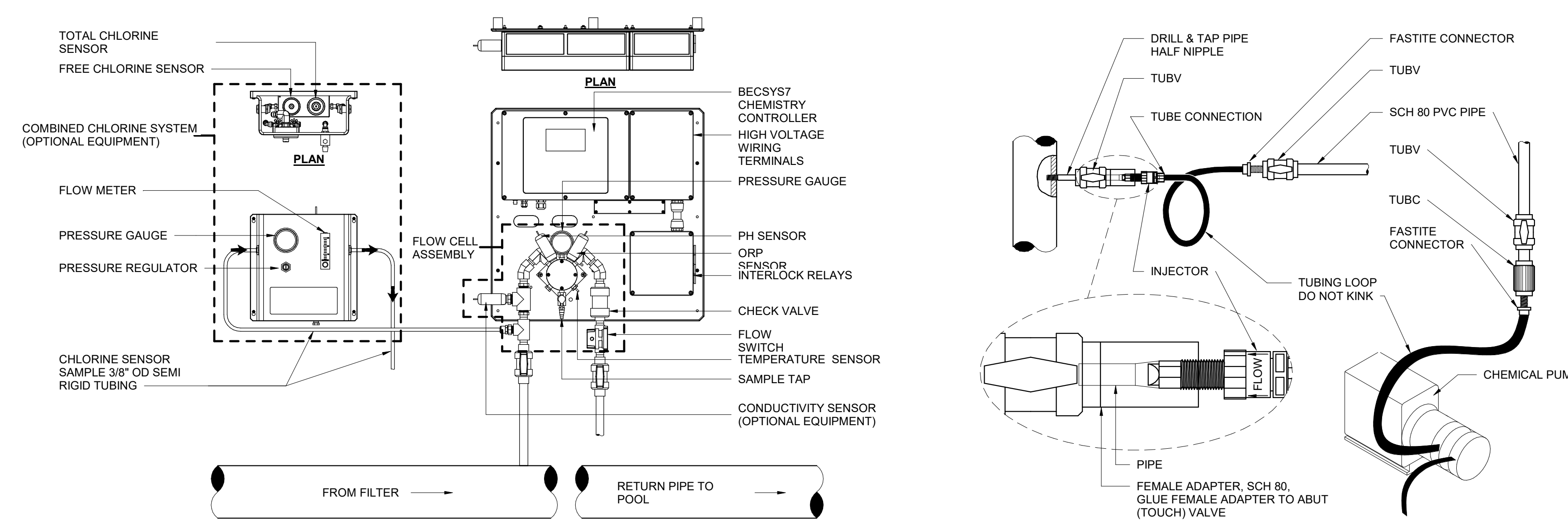
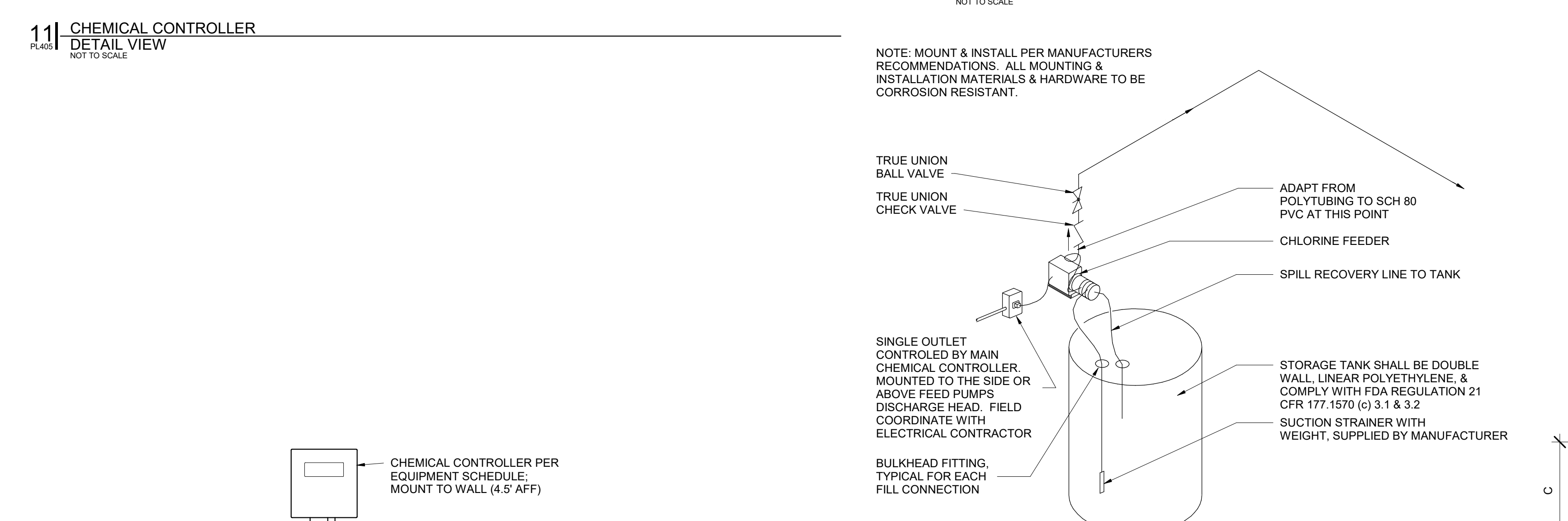


Project Number: 23357
Issue: CONFORMANCE SET
Date: 11.26.2024
Drawn By: MDG
Checked By: RIG
Revisions:
Rev. Description Date:



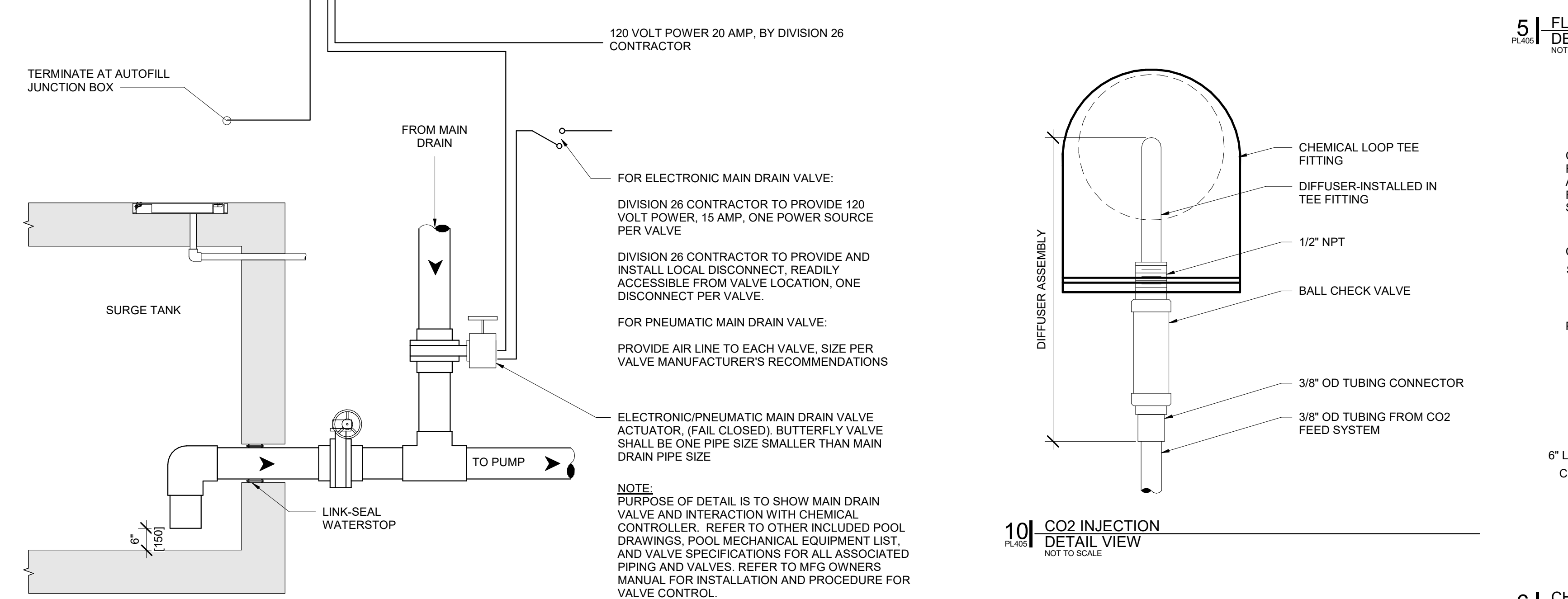
10. CHEMICAL INJECTION DETAIL VIEW
NOT TO SCALE

NOTE: MOUNT & INSTALL PER MANUFACTURERS RECOMMENDATIONS. ALL MOUNTING & INSTALLATION MATERIALS & HARDWARE TO BE CORROSION RESISTANT.



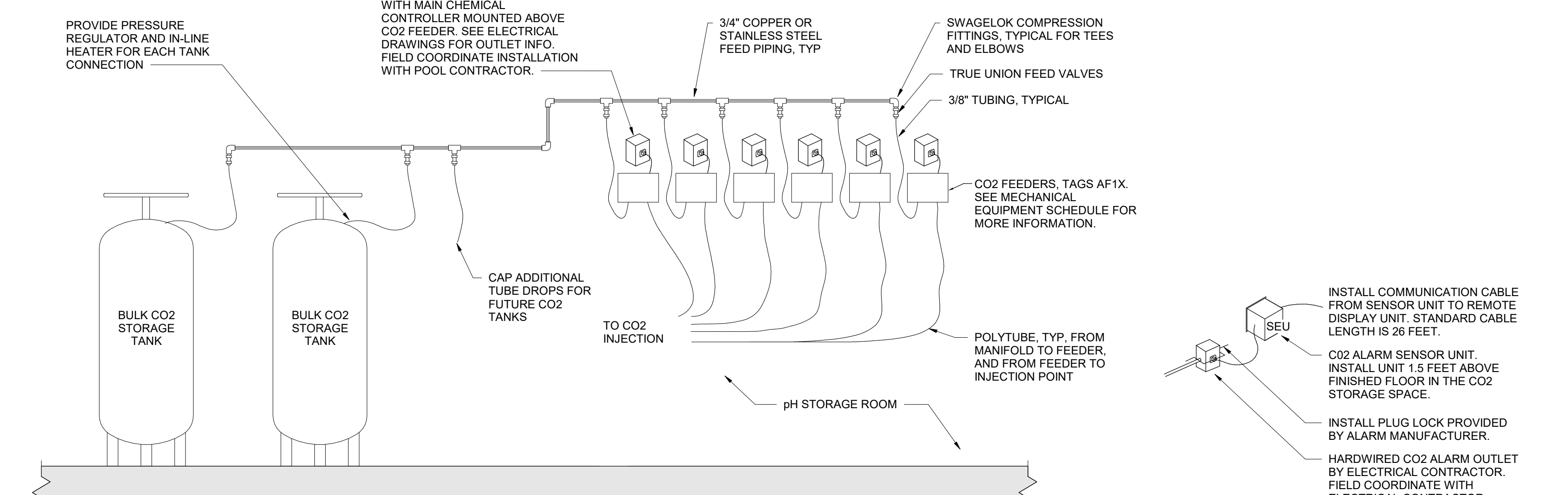
11. CHEMICAL CONTROLLER DETAIL VIEW
NOT TO SCALE

NOTE: PROVIDE STAINLESS STEEL MOUNTING HARDWARE AS REQUIRED FOR WALL TYPE. INTERLOCK CHEMICAL CONTROL RELAYS WITH FILTRATION PUMP. SEE CHEMICAL CONTROLLER SPECIFICATIONS FOR REQUIRED OPTIONAL EQUIPMENT. RIGIDLY SECURE BACK PANEL TO BUILDING WALL, APPROXIMATELY 6" ABOVE FINISHED FLOOR, IN LOCATION INDICATED IN PLAN. CHEMICAL SAMPLING STREAMS SHALL TERMINATE AT THE AUTOFILL WITH 6" AIR GAP.



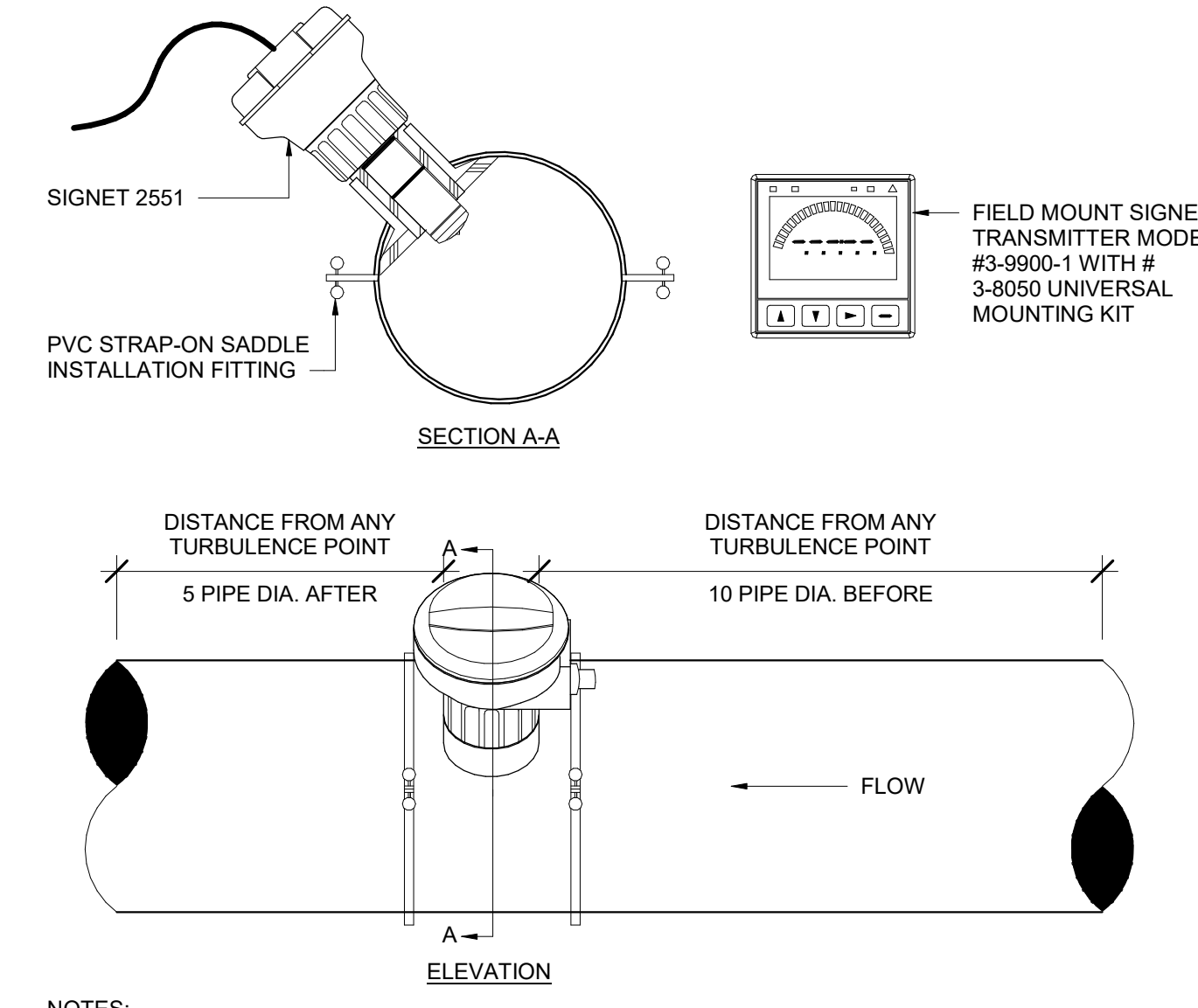
12. SURGE TANK LEVEL CONTROL DETAIL VIEW
NOT TO SCALE

NOTE: PURPOSE OF DETAIL IS TO SHOW MAIN DRAIN VALVE AND INTERACTION WITH CHEMICAL CONTROLLER. REFER TO OTHER INCLUDED POOL DRAWINGS, POOL MECHANICAL EQUIPMENT LIST, AND VALVE SPECIFICATIONS FOR ALL ASSOCIATED PIPING AND VALVES. REFER TO MFG OWNERS MANUAL FOR INSTALLATION AND PROCEDURE FOR VALVE CONTROL.



13. CO2 FEED DETAIL VIEW
NOT TO SCALE

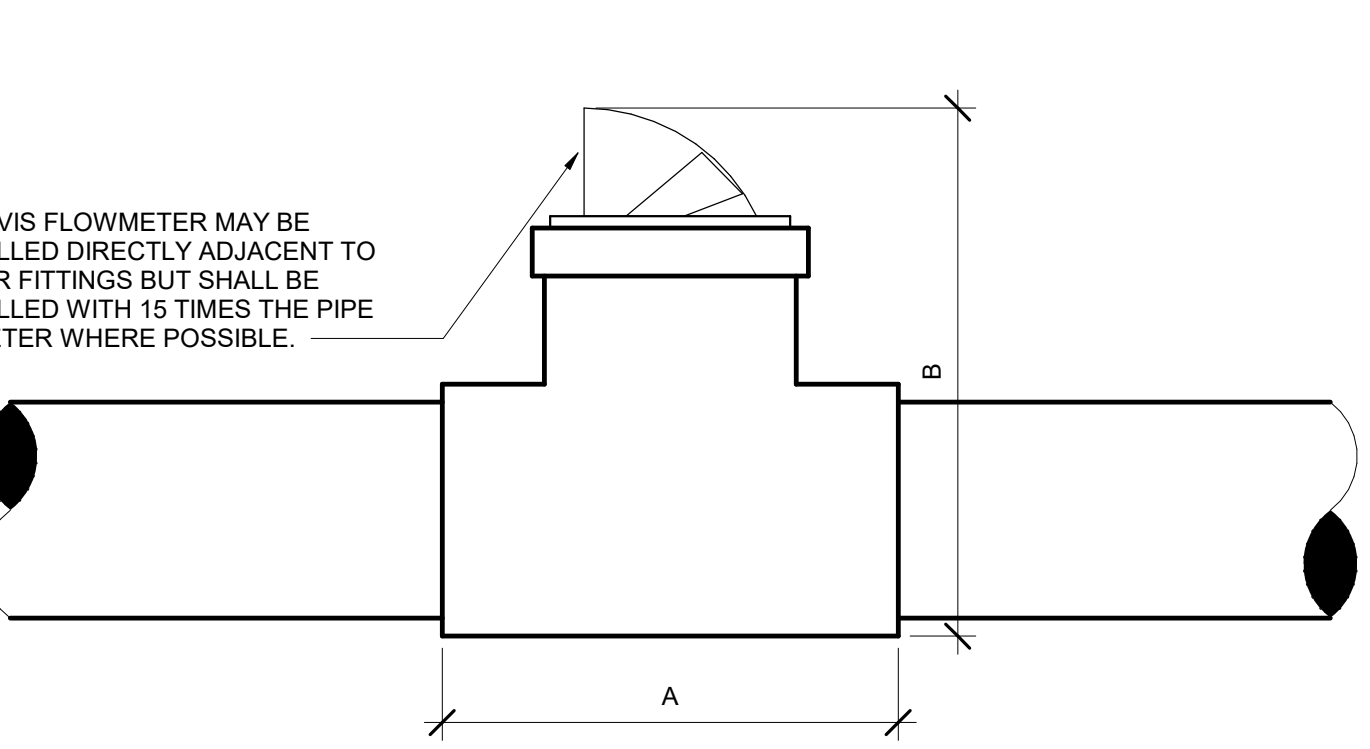
NOTE: PROVIDE PRESSURE REGULATOR AND IN-LINE HEATER FOR EACH TANK CONNECTION. CAP ADDITIONAL TUBE DROPS FOR FUTURE CO2 TANKS. INSTALL COMMUNICATION CABLE FROM SENSOR UNIT TO REMOTE DISPLAY UNIT. STANDARD CABLE LENGTH IS 26 FEET. CO2 ALARM SENSOR UNIT. INSTALL UNIT 1.5 FEET ABOVE FINISHED FLOOR IN THE CO2 STORAGE SPACE. INSTALL PLUG LOCK PROVIDED BY ALARM MANUFACTURER. HARDWIRED CO2 ALARM OUTLET BY ELECTRICAL CONTRACTOR. FIELD COORDINATE WITH ELECTRICAL CONTRACTOR.



4. FLOW METER DETAIL VIEW
NOT TO SCALE

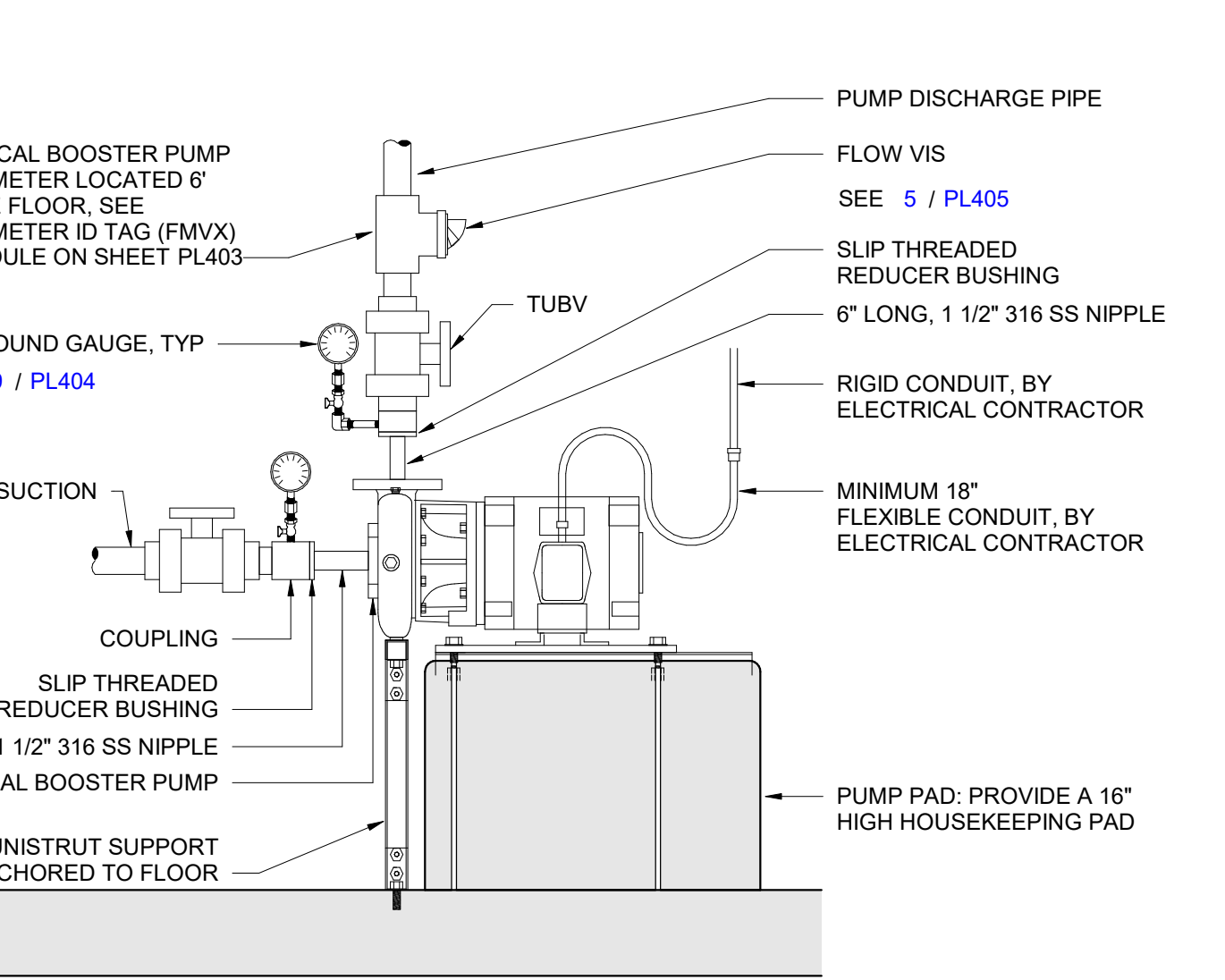
NOTE: INSTALL PIPE SUCH THAT AIR CANNOT GET TRAPPED IN AREA OF SENSOR. DO NOT INSTALL IN PIPES WITH FLOW MOVING DOWNWARD OR IN HORIZONTAL SECTIONS OF PIPE THAT ARE HIGHER THAN ADJACENT HORIZONTAL PIPE. FOR HORIZONTAL PIPE INSTALLATIONS, INSTALL FLOWMETER FACING UPWARD AT A 45° ANGLE TO MINIMIZE ADVERSE EFFECTS OF AIR POCKETS AND SEDIMENT. FIELD MOUNT TRANSMITTER APPROXIMATELY 4'-6" (1350) ABOVE FINISHED FLOOR OR GRADE UTILIZING THE #3-8050 UNIVERSAL MOUNTING KIT.

MODEL	A	B	C
FV-15	6.5" (165.1)	5.875" (149.23)	SCHEDULE 40 - 1.5"
FV-2	6.5" (165.1)	5.875" (149.23)	SCHEDULE 40 - 2"
FV-25	6.5" (165.1)	5.875" (149.23)	SCHEDULE 40 - 2.5"
FV-3-40	8.0" (203.2)	9.5" (241.3)	SCHEDULE 40 - 3"
FV-3	8.0" (203.2)	9.5" (241.3)	SCHEDULE 80 - 3"
FV-4	9.5" (241.3)	9.75" (247.65)	SCHEDULE 80 - 4"
FV-6	6" (241.3)	12.53" (318.26)	SCHEDULE 80 - 6"
FV-8	8.59" (218.17)	14.37" (365)	SCHEDULE 80 - 8"



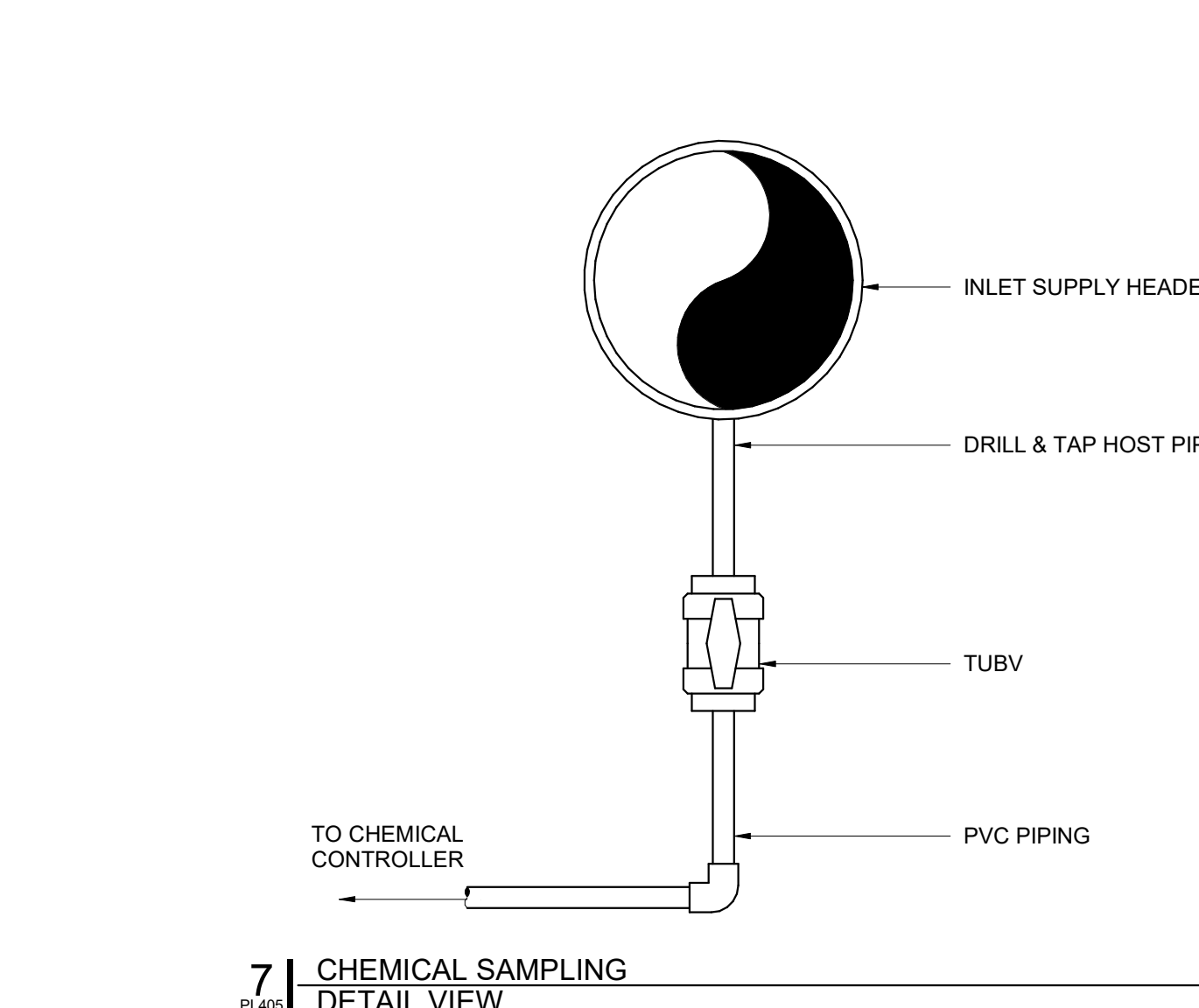
5. FLOW METER DETAIL VIEW
NOT TO SCALE

NOTE: FLOWVIS FLOWMETER MAY BE INSTALLED DIRECTLY ADJACENT TO OTHER FITTINGS BUT SHALL BE INSTALLED WITH 15 TIMES THE PIPE DIAMETER WHERE POSSIBLE.



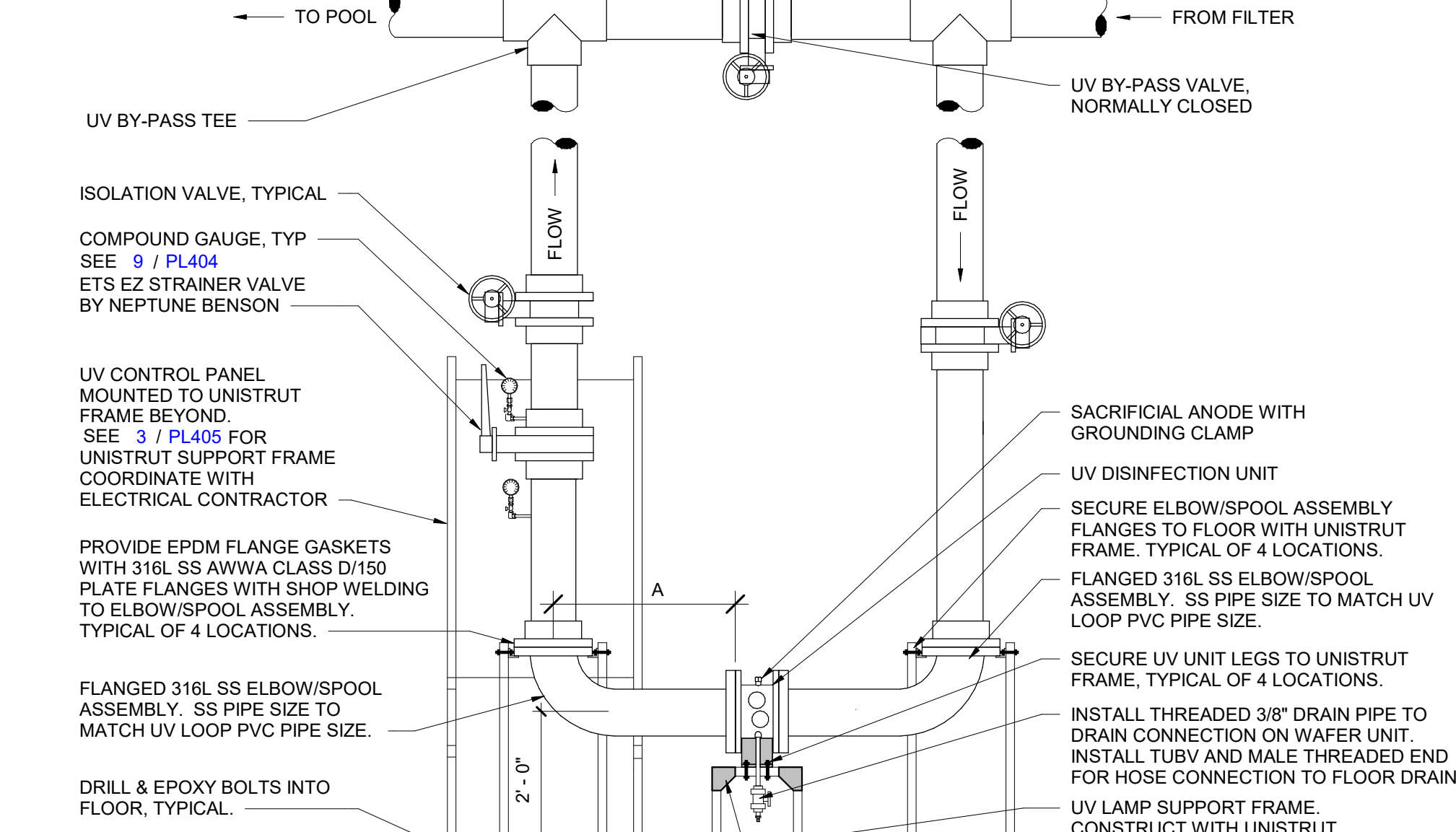
6. CHEMICAL BOOSTER PUMP INSTALLATION DETAIL VIEW
NOT TO SCALE

NOTE: PUMP DISCHARGE PIPE FLOWMETER LOCATED 6' ABOVE FLOOR, SEE FLOWMETER ID TAG (FMVX) SCHEDULE ON SHEET PL403. PUMP PAD: PROVIDE A 16" HIGH HOUSEKEEPING PAD.



7. CHEMICAL SAMPLING DETAIL VIEW
NOT TO SCALE

NOTE: INSTALL COMMUNICATION CABLE FROM SENSOR UNIT TO REMOTE DISPLAY UNIT. STANDARD CABLE LENGTH IS 26 FEET. CO2 ALARM SENSOR UNIT. INSTALL UNIT 1.5 FEET ABOVE FINISHED FLOOR IN THE CO2 STORAGE SPACE. INSTALL PLUG LOCK PROVIDED BY ALARM MANUFACTURER. HARDWIRED CO2 ALARM OUTLET BY ELECTRICAL CONTRACTOR. FIELD COORDINATE WITH ELECTRICAL CONTRACTOR.

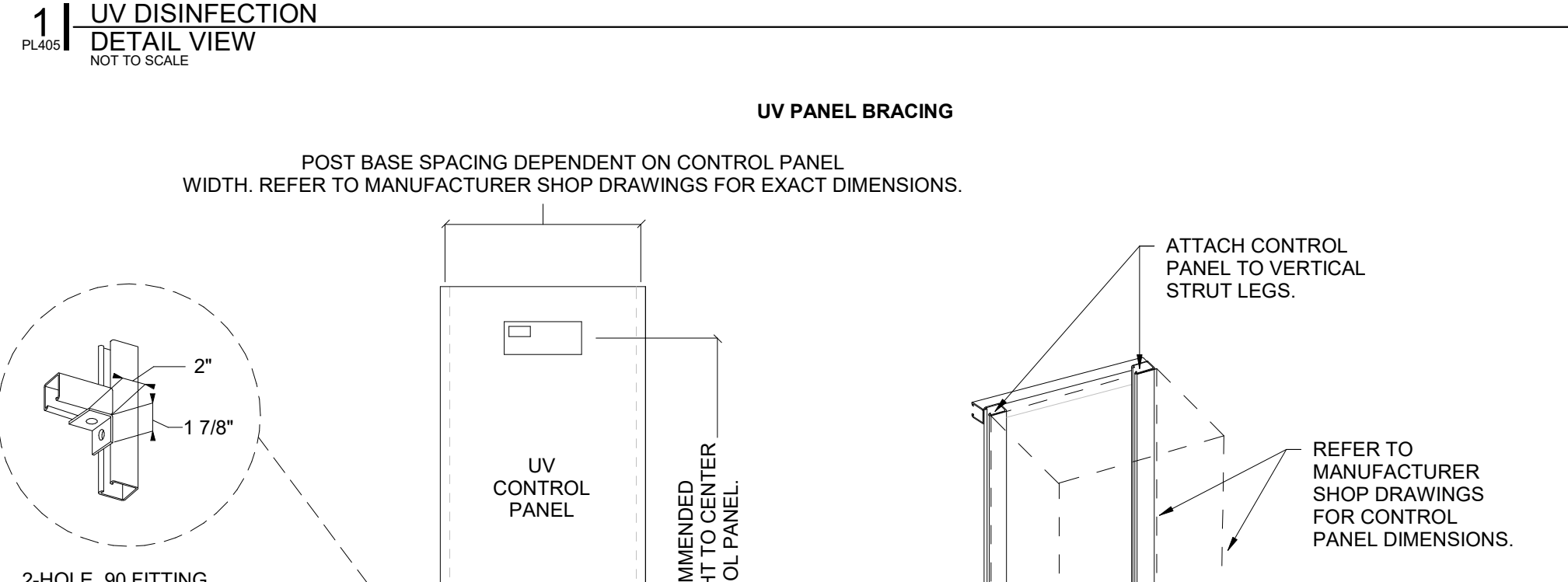


1. UV DISINFECTION DETAIL VIEW
NOT TO SCALE

NOTE: ALL PIPE & FITTINGS SHOWN ABOVE SHALL BE SCH 80 PVC UNLESS NOTED OTHERWISE AS 316L STAINLESS STEEL. COORDINATE INSTALLATION WITH ELECTRICAL CONTRACTOR. CONTROL PANEL SHALL BE INSTALLED WITHIN 10 FT OF UNIT. PROVIDE CLEARANCE AS REQUIRED ADJACENT TO UV UNIT FOR REMOVAL & REPLACEMENT OF UV LAMPS. DO NOT INSTALL VALVES DIRECTLY TO CHAMBER BODY. UV UNIT SHALL BE PROPERLY SUPPORTED & BRACED. SEE REFERENCED CONTROL PANEL FRAME AND UV LAMP SUPPORT FRAME DETAILS. UV LAMP AND PANEL MUST BE PROPERLY BONDED AND GROUNDED, PER MANUFACTURER'S INSTRUCTIONS. CONNECT GROUND WIRE TO GROUND CLAMP ON SACRIFICIAL ANODE. CONNECT THIS BONDING WIRE TO THE FRONT CHAMBER FOOT TERMINAL. CONNECT THE SEPARATE UV CONTROL PANEL GROUND WIRE (COMING FROM THE UV CONTROL PANEL) TO THE SAME LOCATION AT THE FRONT CHAMBER FOOT BRACKET. ALL STAINLESS STEEL FITTINGS SHALL BE 316L SS TREATED USING PICKLING & PASSIVATION IN ACCORDANCE WITH ASTM A388 & ASTM A967. PER MANUFACTURER'S RECOMMENDATION FOR A HORIZONTAL INSTALLATION, INSTALL THE AUTOMATIC AIR RELEASE VALVE SUPPLIED WITH THE UV SYSTEM ON THE TOP OF THE CHAMBER TO ALLOW RELEASE OF TRAPPED AIR.

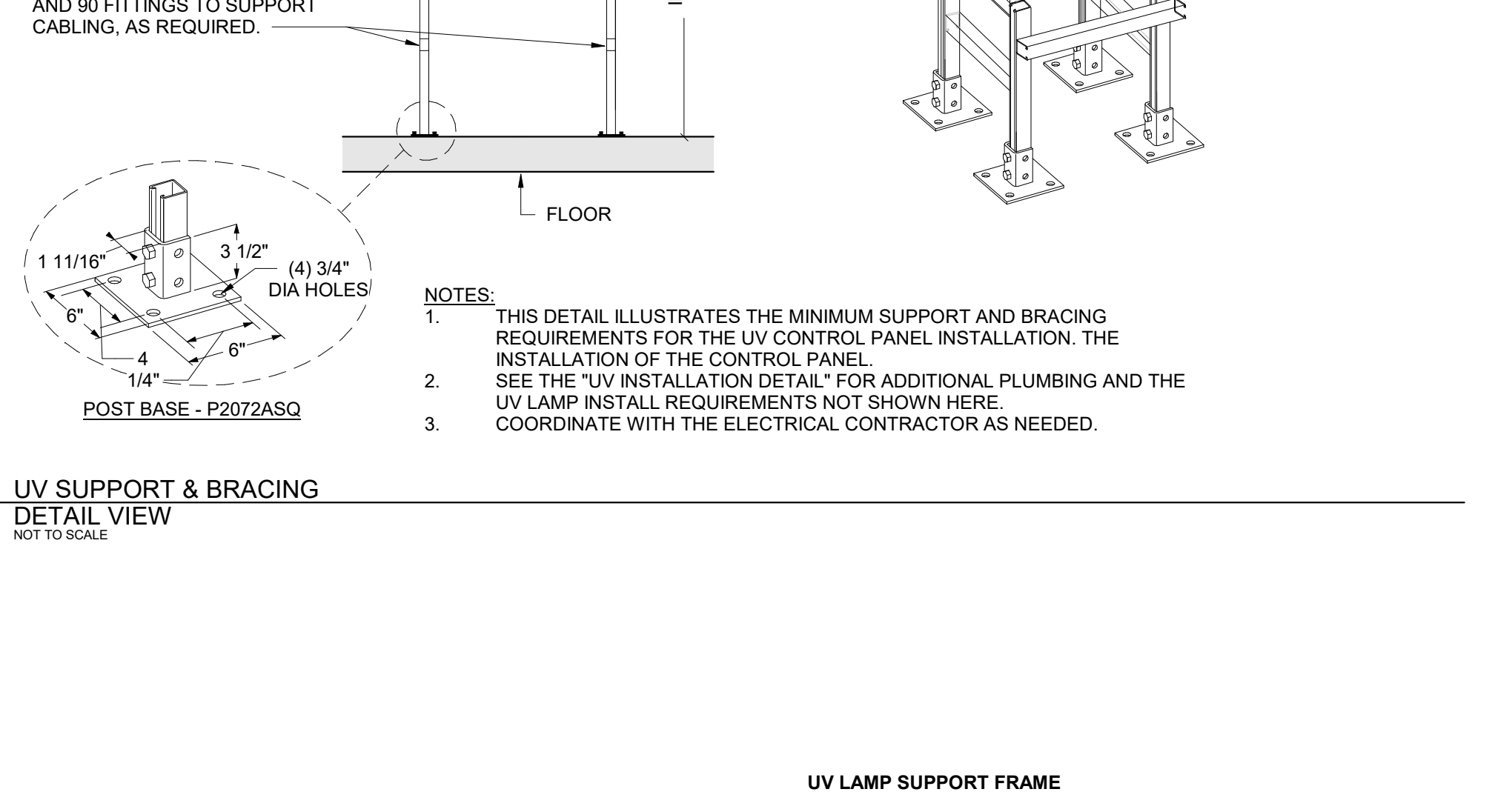
UV STAINLESS STEEL ELBOW SPOOL ASSEMBLY UV MODEL NUMBER	DIM A"
WF-115-4-N	1' - 6 9/16"
WF-125-6-N	1' - 6 9/16"
WF-215-6-N	1' - 6 9/16"
WF-215-8-N	2' - 0 9/16"
WF-225-8-N	2' - 0 9/16"
WF-230-10-N	2' - 3 9/16"
WF-430-12-N	2' - 6 9/16"

NOTE: TABLE IS FOR REFERENCE ONLY. GASKETS ARE ASSUMED TO BE 1/8" THICK. CONTRACTOR SHALL BE RESPONSIBLE FOR CONFIRMATION OF ALL FINAL INSTALLATION DIMENSIONS.



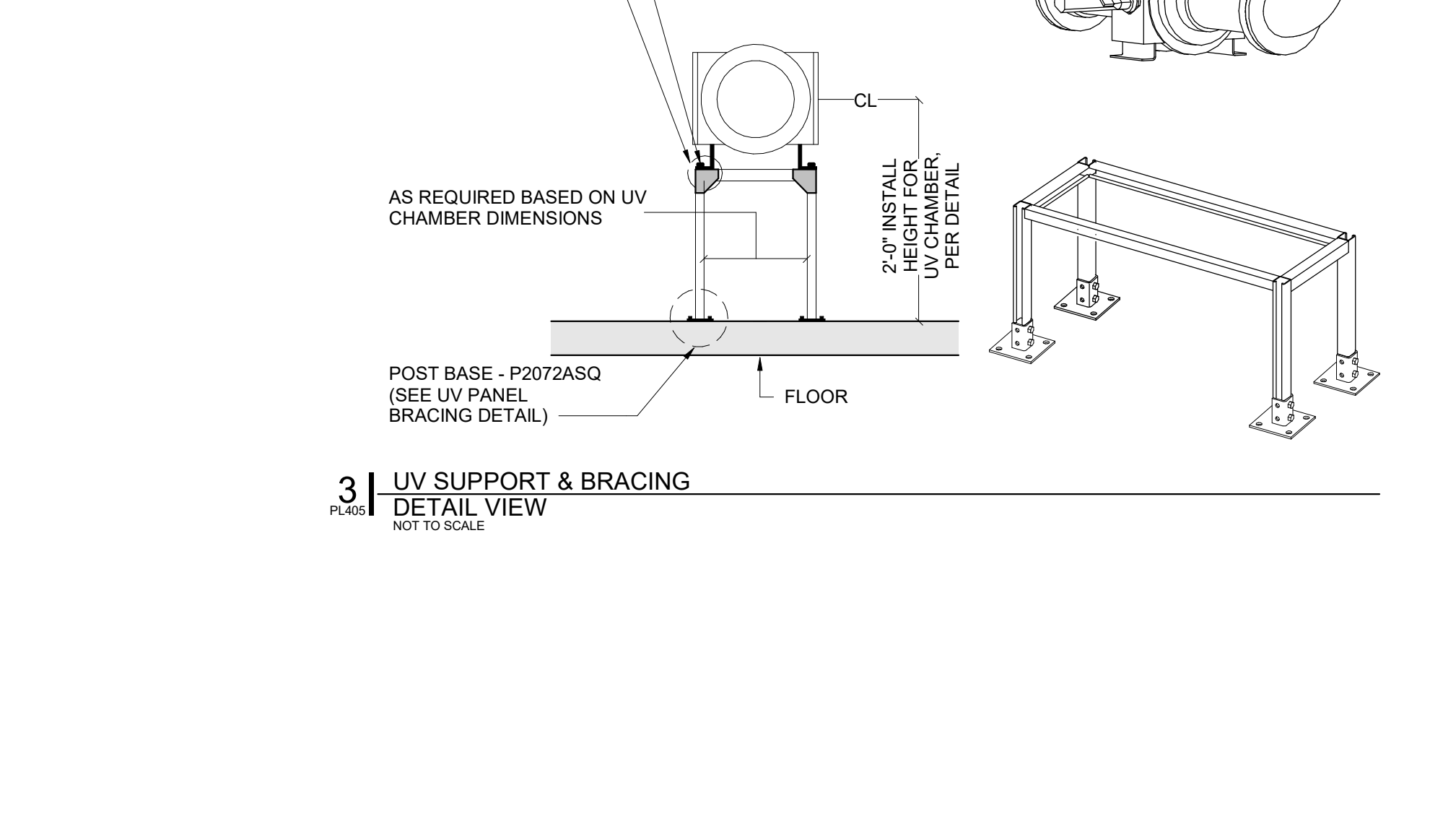
2. UV SUPPORT & BRACING DETAIL VIEW
NOT TO SCALE

NOTE: THIS DETAIL ILLUSTRATES THE MINIMUM SUPPORT AND BRACING REQUIREMENTS FOR THE UV CONTROL PANEL INSTALLATION. THE INSTALLATION OF THE CONTROL PANEL. SEE THE "UV INSTALLATION DETAIL" FOR ADDITIONAL PLUMBING AND THE UV LAMP INSTALL REQUIREMENTS NOT SHOWN HERE. COORDINATE WITH THE ELECTRICAL CONTRACTOR AS NEEDED.



3. UV SUPPORT & BRACING DETAIL VIEW
NOT TO SCALE

NOTE: AS REQUIRED BASED ON UV CHAMBER DIMENSIONS. 2" MIN. INSTALL HEIGHT FOR UV CHAMBER, PER DETAIL.



4. UV SUPPORT & BRACING DETAIL VIEW
NOT TO SCALE

NOTE: AS REQUIRED BASED ON UV CHAMBER DIMENSIONS. 2" MIN. INSTALL HEIGHT FOR UV CHAMBER, PER DETAIL.