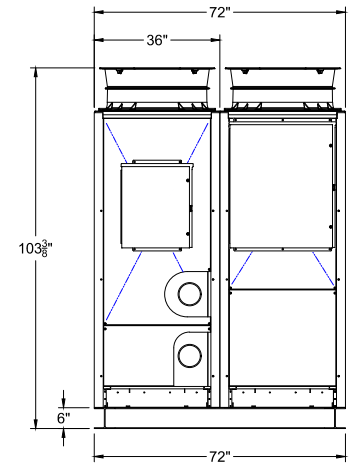
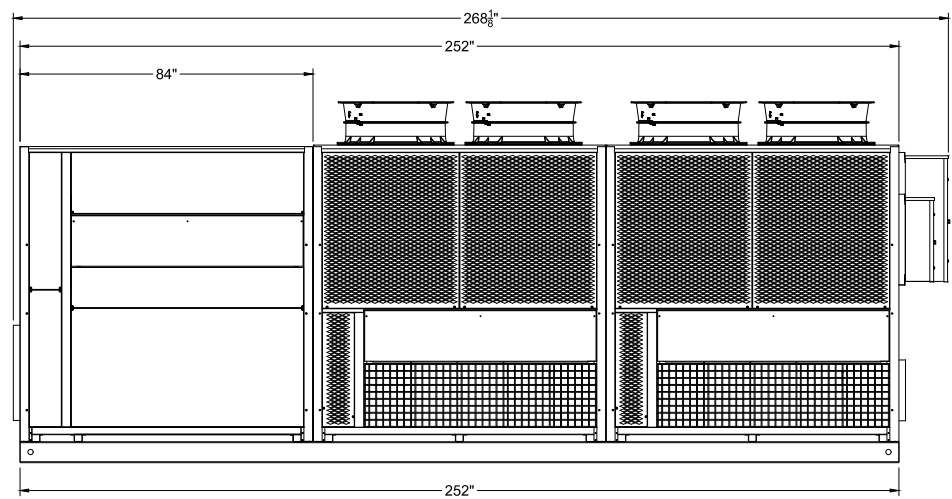
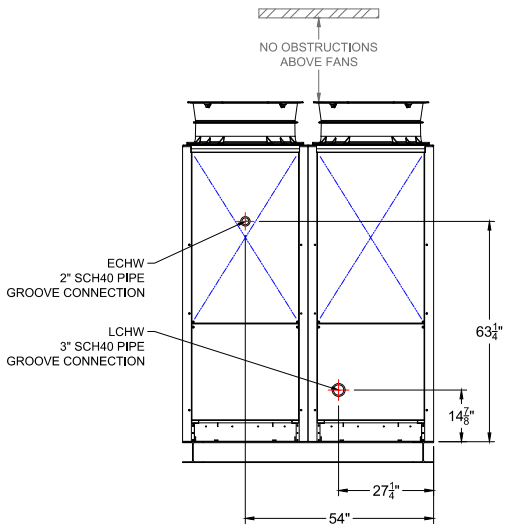
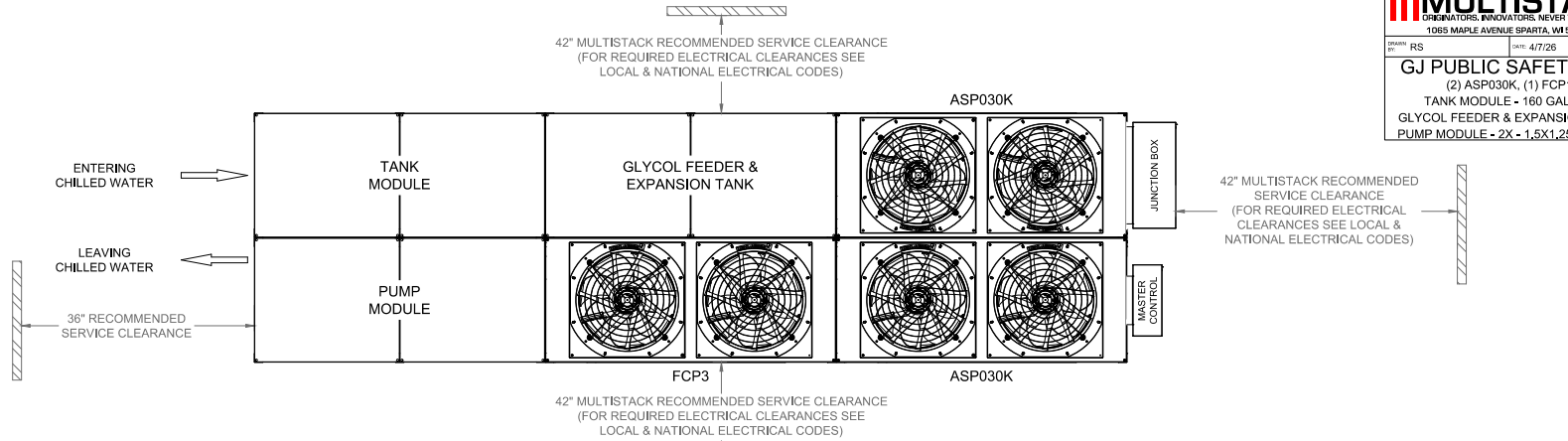


**ESTIMATED WEIGHTS**

SHIPPING - 11,330 LBS  
 OPERATING - 13,875 LBS

**MULTISTACK**  
 ORIGINATORS, INNOVATORS, NEVER THE IMITATORS.  
 1065 MAPLE AVENUE SPARTA, WI 54656  
 DRAWN BY: RS DATE: 4/7/26  
**GJ PUBLIC SAFETY 911**  
 (2) ASP030K, (1) FCP1  
 TANK MODULE - 160 GALLON  
 GLYCOL FEEDER & EXPANSION TANK  
 PUMP MODULE - 2X - 1.5X1.25X6 - 3HP



IF CHILLER IS GOING TO BE INSTALLED IN A PIT, CONTACT FACTORY.  
 LAYOUT DRAWINGS ARE FOR REFERENCE ONLY, DIMENSIONAL DATA IS SUBJECT TO CHANGE UPON FINAL DESIGN