

Parks Improvement Advisory Board

August 17, 2011

Item 1: Meeting Called to Order by Bruce Hill at 11:36 a.m.

Roll Call

Board Members Present: Bruce Hill
 Harry Butler
 Lena Elliott
 Craig Meis
 Tom Kenyon

Alternate Members Present: Walt Bergman
 Paul Cain

Parks & Recreation Staff Present: Rob Schoeber, Director
 Tressa Fisher, Administrative Specialist

City Finance Staff Present: Jay Valentine, Finance Director

Bruce Hill introduced Walt Bergman, who will be serving as the “alternate” member for JUCO. Welcome Walt!

Item 2: Approve Minutes

Lena Elliott moved to approve the June 28, 2011 Parks Improvement Advisory Board minutes. Harry Butler seconded.

Motion adopted by the Parks Improvement Advisory Board: Yes 5 No 0

Item 3: Stadium Naming Process

Bruce Hill expressed the desire for the board to develop a naming process, in order to provide a standard system for reviewing the recommendations for naming facilities after individuals who have participated in the stadium’s development. The possibility of naming the stadium tower at Lincoln Park was also discussed, especially due to the strong visual effect on North Avenue/surrounding area that the new building will have. The Reford Theobald press box was briefly discussed, with Bruce Hill stating City Council has been presented with the option of a name tag being installed in the elevator that reads “Reford Theobald Press Box Level”; a plaque would also be hung on that level with a picture of Mr. Theobald and his years of service. Jay Valentine discussed the stipulations regarding the 501c3 bond, which prohibits the City from selling naming rights, as it must be for private use only. The City chose to go with the 501c3 bond due to the lower interest rates. Discussion ensued regarding it being a standard practice to name facilities. It was suggested the tower be named “JUCO Tower”, which would not be in violation of the bond requirements, as JUCO is a 501c3 organization. The board agreed they need to establish a naming process as quickly as possible and present it to City Council for approval. Bruce Hill

requested staff develop a written plan for review at the October 4, 2011 Parks Improvement Advisory Board meeting.

Item 4: Review Stadium Art

Rob Schoeber presented the proposals for the 1% for the Arts program project at the new stadium. (See attached) Mr. Schoeber stated the Arts Commission sent out a request for proposals approximately two months ago, in which they received a total of 21 submissions from all across the country. The Arts Commission narrowed it down to four finalist based on numerous factors, including cost, size, durability, appropriateness for facility, etc. The Stadium Committee then met and reviewed the finalists further, determining that the “wrap” option would not work due to it only having a three year life expectancy. The Stadium Committee moved forward by narrowing it down to the artist who proposed the “climber”, but asked him to provide some additional options for review. The two options the artist resubmitted were later presented in the City’s online survey process requesting public comments. The survey results were overwhelmingly in support of the “catcher”. Lena Elliott expressed this was the perfect opportunity for a historical wrap, similar to the one at the Denver Museum. The Board members expressed concern regarding the blank walls on the east and west sides of the stadium, deciding these walls would be a great place to hang banners. Discussion ensued, with the Board members stating they would prefer a more “obvious” sports figure and something that closer reflects what is going on in the facility. It was suggested the artist research the stick figures that are currently being used by the Olympics.

Item 5: Financial Report

Jay Valentine briefly reviewed the current financial report.

Item 6: Executive Session

Tom Kenyon moved to enter into an Executive session. Harry Butler seconded.

Motion adopted by the Parks Improvement Advisory Board: Yes 5 No 0

Executive session was adjourned at 12:55 p.m.

Craig Meis moved to support the City’s request for a \$100,000 contribution towards the stadium project, which will be split into two annual payments of \$50,000. Lena Elliott seconded.

Motion adopted by the Parks Improvement Advisory Board: Yes 5 No 0

The Board requested staff draft a letter to the Mayor and City Council stating the Parks Improvement Advisory Board has unanimously approved the \$100,000 contribution at today’s meeting, but strongly recommends the City attempt to negotiate a larger contribution from the baseball group, as well as request information regarding the economic impact of the contract. It was requested the letter also indicate the Board’s concern regarding the need to preserve funding in order to furnish the new stadium.

Item 7: Other Business

The Board members discussed the need to develop a mission statement. Bruce Hill asked the Board members to bring some suggestions to the October meeting for further discussion.

Rob Schoeber reported City Council had recently agreed to a sole source authorization (Musco lighting) to relocate the light towers at the stadium. This project will result in “all” of the lights on both field being moved out of the spectator’s line of sight and brought up to broadcast standards. Bruce Hill provided a brief update on the construction project, stating the construction is currently 12 days ahead of schedule and remains within budget.

Item 8: Future Agenda

Naming Process

Mission Statement

Lena Elliott stated the next meeting will be held at the Mav Center in the conference room above the gymnasium.

Item 9: Adjourn

The meeting was adjourned at 1:08 p.m. by acclamation.

Respectfully submitted,

Tressa Fisher

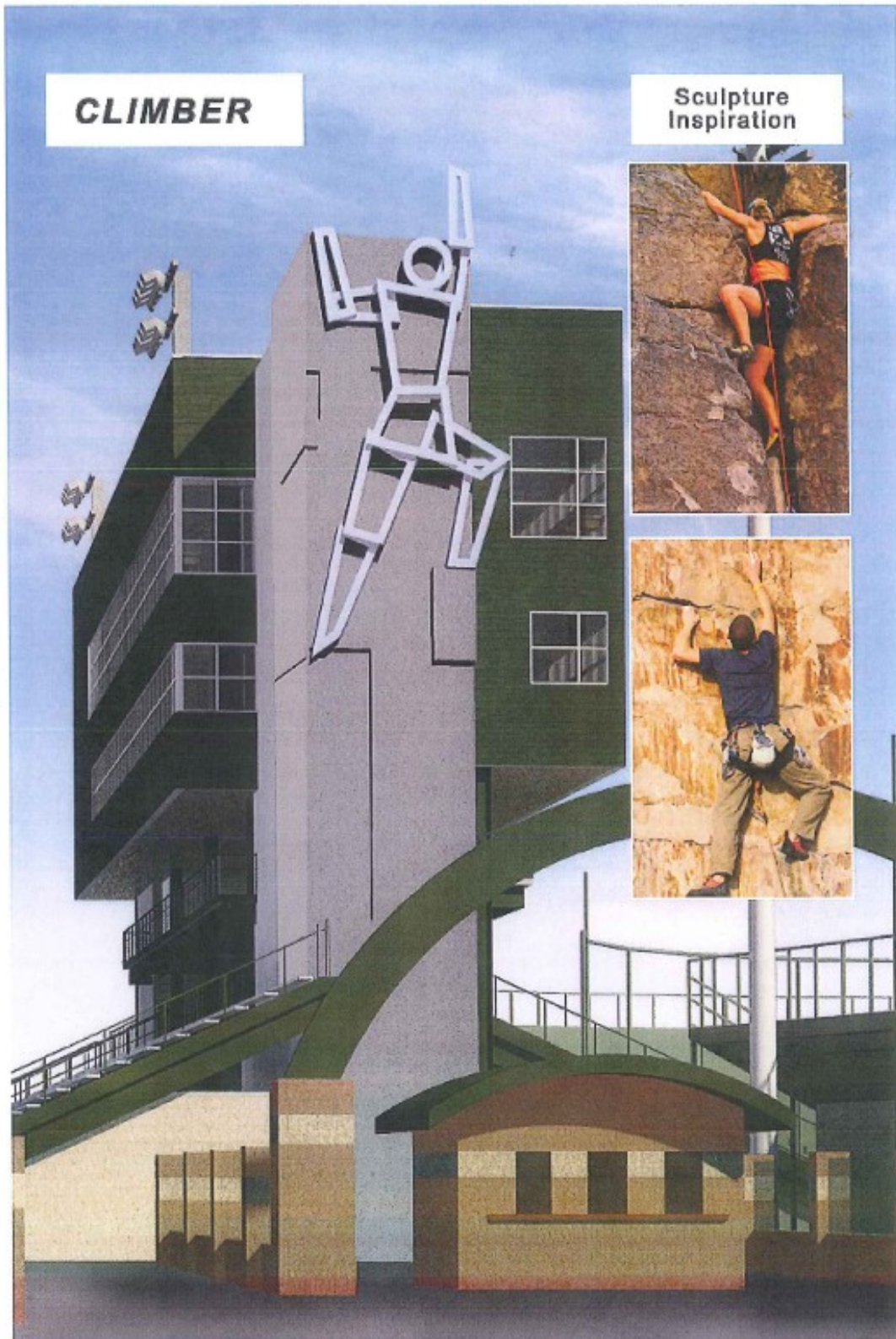
Administrative Specialist

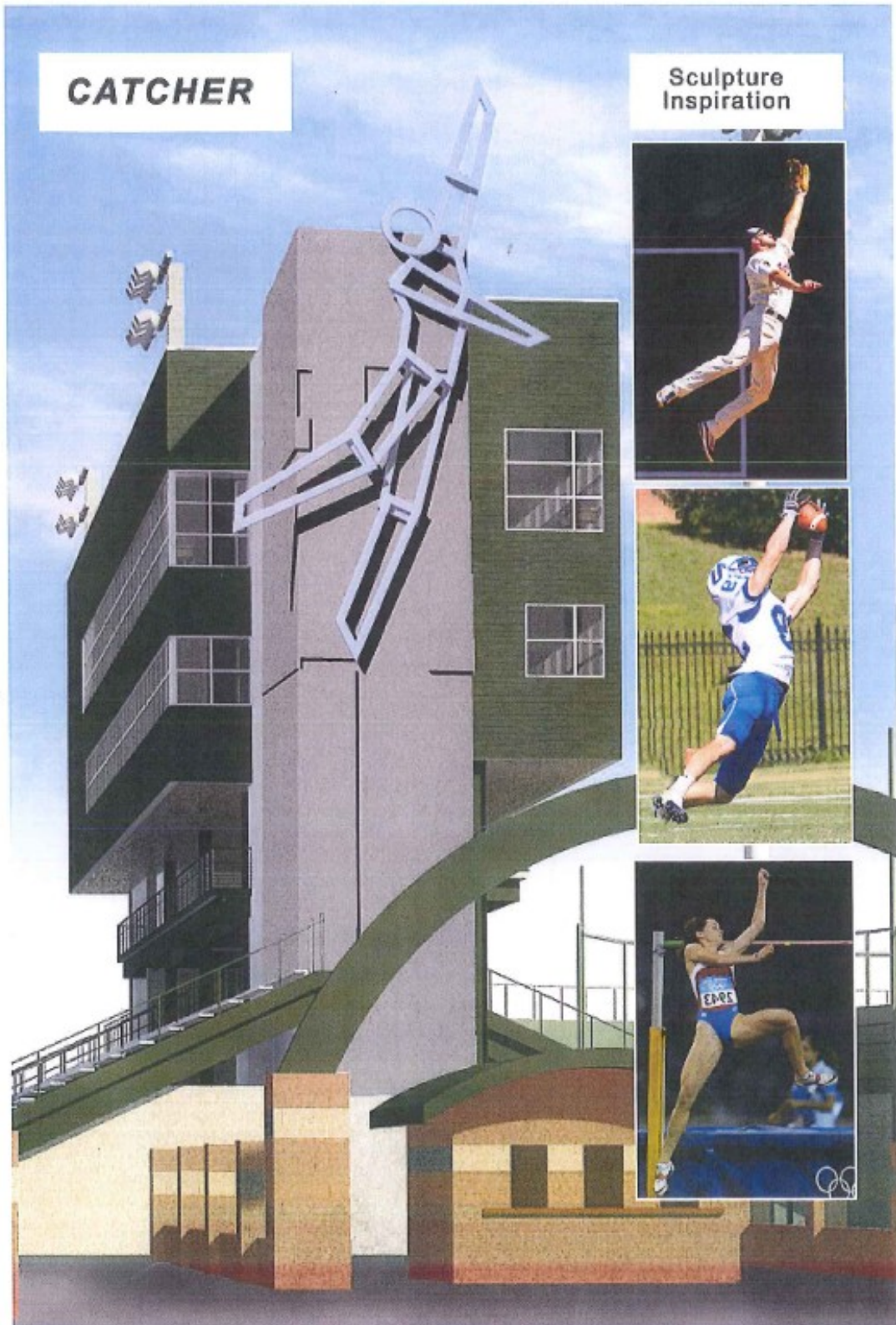
Stocker Stadium/Suplizio Field Renovation Artwork

Final Report – 248 surveys were started; 243 were completed

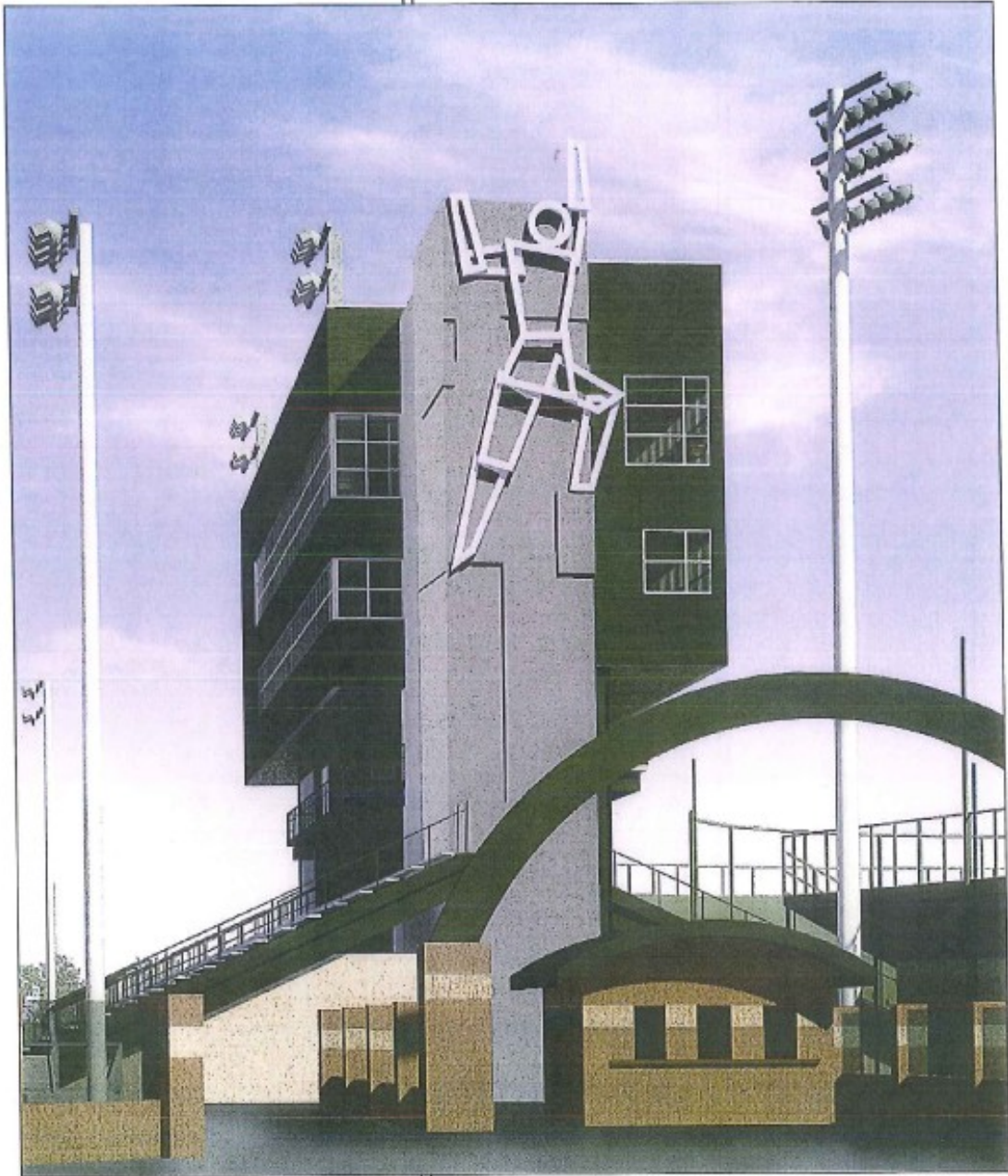
1. The City of Grand Junction has had a '1% for the Arts' resolution in place since 1997. The resolution requires that any municipal construction project with a budget of over \$100,000 must devote 1% of the project total to art as part of the project. For the Suplizio Field/Stocker Stadium renovation project, two pieces of art are being considered for inclusion from an original pool of 21 pieces. The Grand Junction Commission on Arts and Culture narrowed it down to these two pieces and they want to hear from the community as to your favorite. The final product will be placed on the new stadium tower, on the south-facing side. Please select your favorite of the two by "clicking" the button beside it and then hitting the "Submit" button at the bottom of the survey. You may select only one.

Answer	Response	%
<p>"Catcher" is a stylized steel figure that appears to be leaping into the air. The sculpture is inspired in part from images of sports figures, in a moment of weightlessness, reaching to catch a ball. The sculpture symbolizes the desire for achievement, reaching for a goal, or striving to win. While the sculpture portrays an "athletic moment" it also relates to all those who strive and work to achieve a goal. The stainless steel sculpture, which is approximately forty feet high, will be mounted on the south side of the support tower for the new press facilities at the Suplizio Field/ Stocker Stadium. "Catcher" is funded by the 1% for the Arts. The artist, Douglas Kornfeld, was born in Denver, Colorado and attended the University of Colorado.</p>	204	84%
<p>"Climber" is a stylized steel figure that appears to be climbing the south side of the new support tower for the new press facilities at the Suplizio Field/ Stocker Stadium. The sculpture is inspired from images of rock climbers scaling vertical rock surfaces. The sculpture symbolizes the desire for achievement, reaching for a goal, or climbing the ladder of success. While the sculpture portrays a climber it also relates to all those who strive and work to achieve a goal. The stainless steel sculpture, which will be approximately forty feet high, is funded by the 1% for the Arts. The artist, Douglas Kornfeld, was born in Denver, Colorado and attended the University of Colorado.</p>	39	16%
Total	243	100%

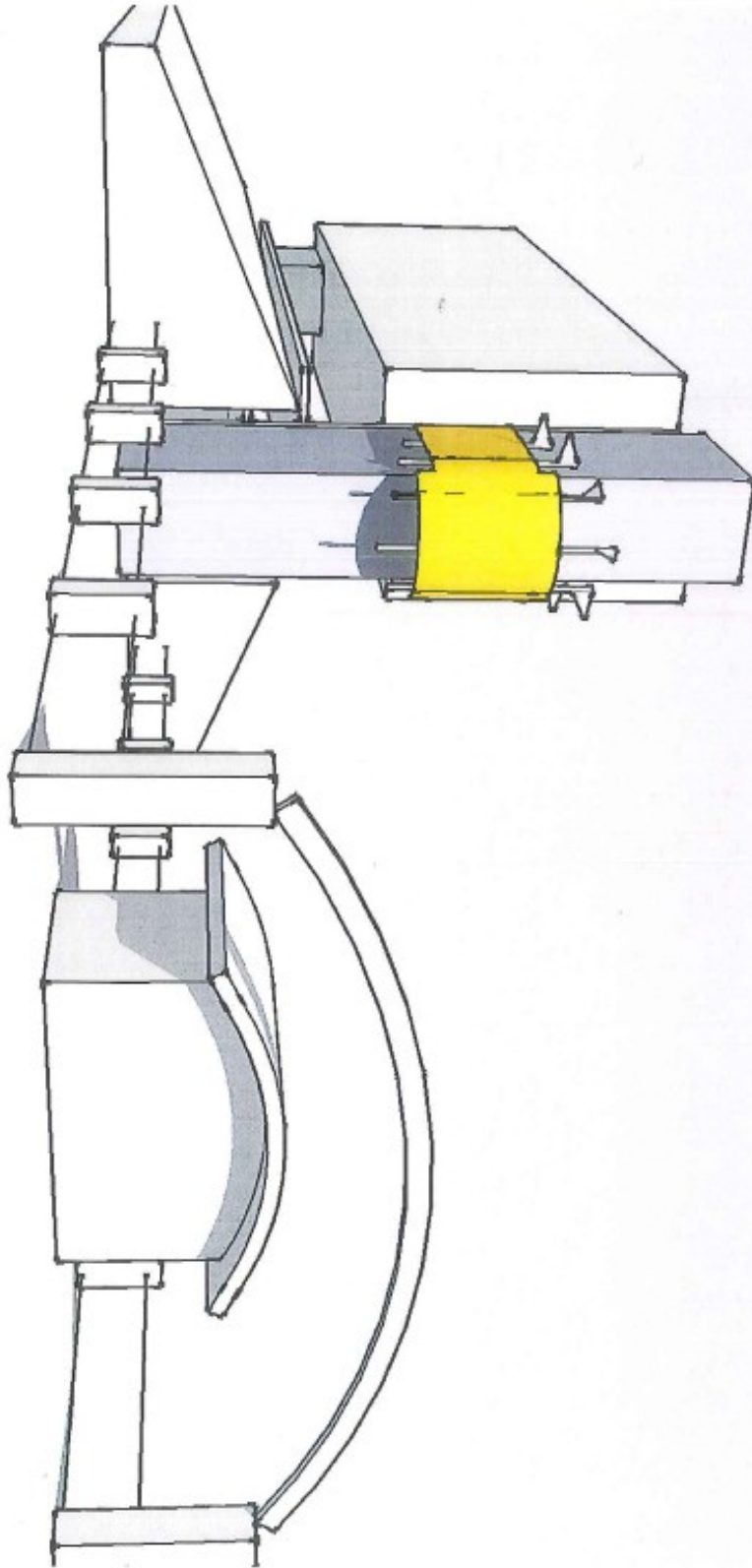


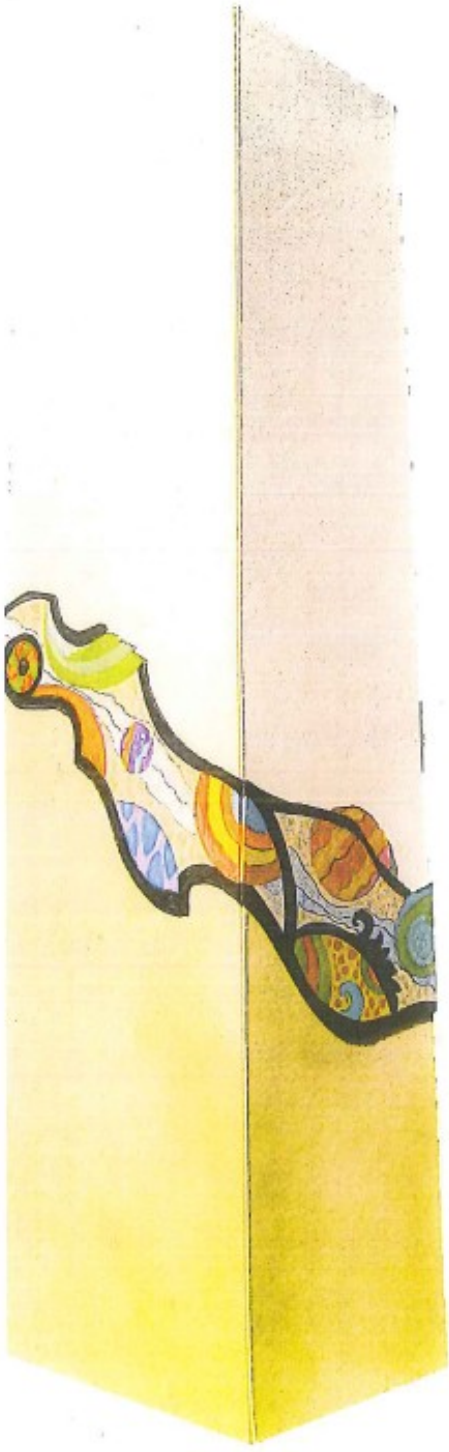


FOUR FINALISTS



Stadium Entry View





West

South



South



South

East

