

February 5, 1981

Mr. James E. Patterson
Director of Public Works
City of Grand Junction
250 N. 5th Street
Grand Junction, CO 81501

Re: Sewer Connections to River Road Interceptor

Dear Jim:

In response to our discussions last week, we feel there are two alternative ways you could allow connections to the River Road Interceptor that would be equally acceptable. First, we see no problems with a connection to the existing manholes being made by core drilling through the concrete encasement. The location of the manhole steps would be an influence whether this procedure was used or not.

The other alternative is to allow a connection to the interceptor by breaking into the pipe either upstream or downstream of an existing manhole. I have attached a sketch drawing showing how that could be accomplished.

Please call me if you have any questions.

Very truly yours,

HENNINGSON, DUNN & RICHARDSON, INC.
OF COLORADO

By James E. Abbott
James E. Abbott, P.E.
Vice-President

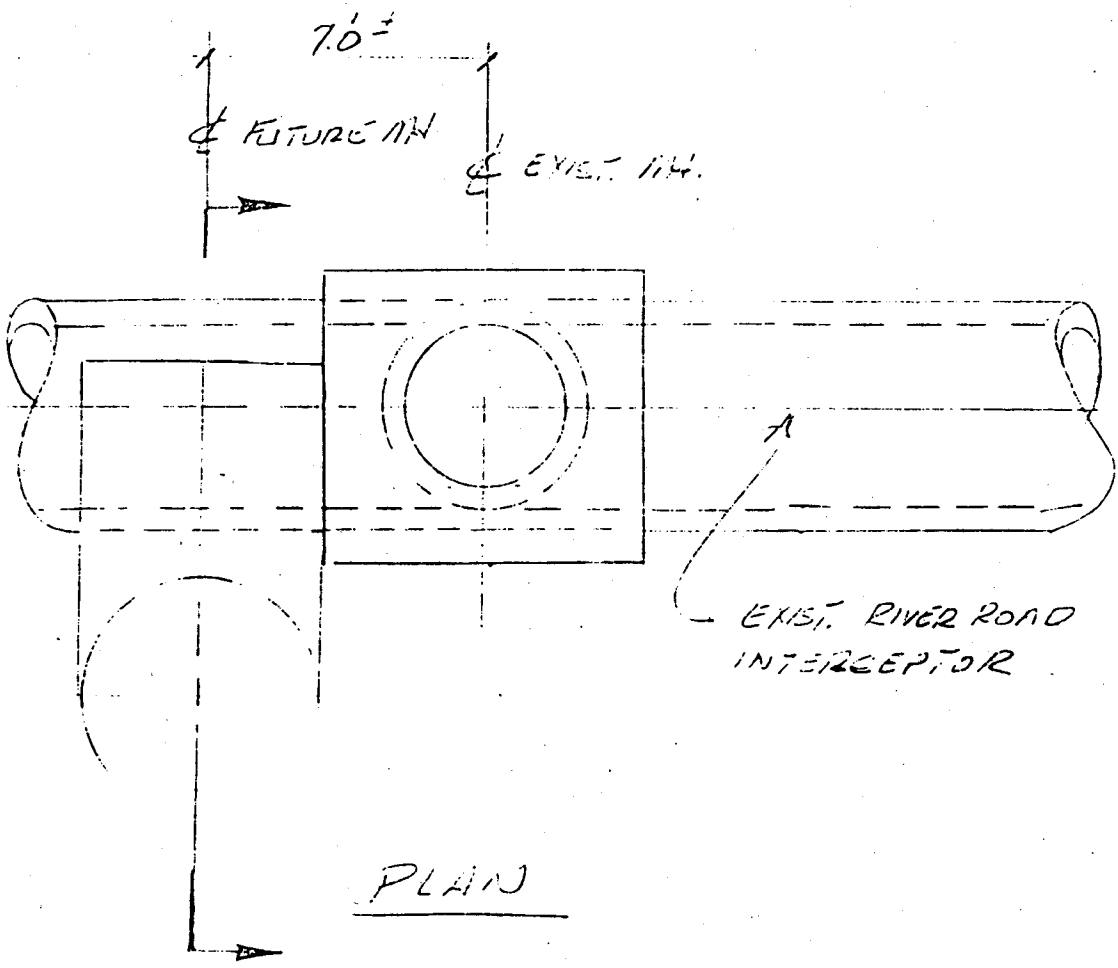
JEA/lt

Enc.

cc: James Franklin

cc: Parryson 3-7-81 RFR

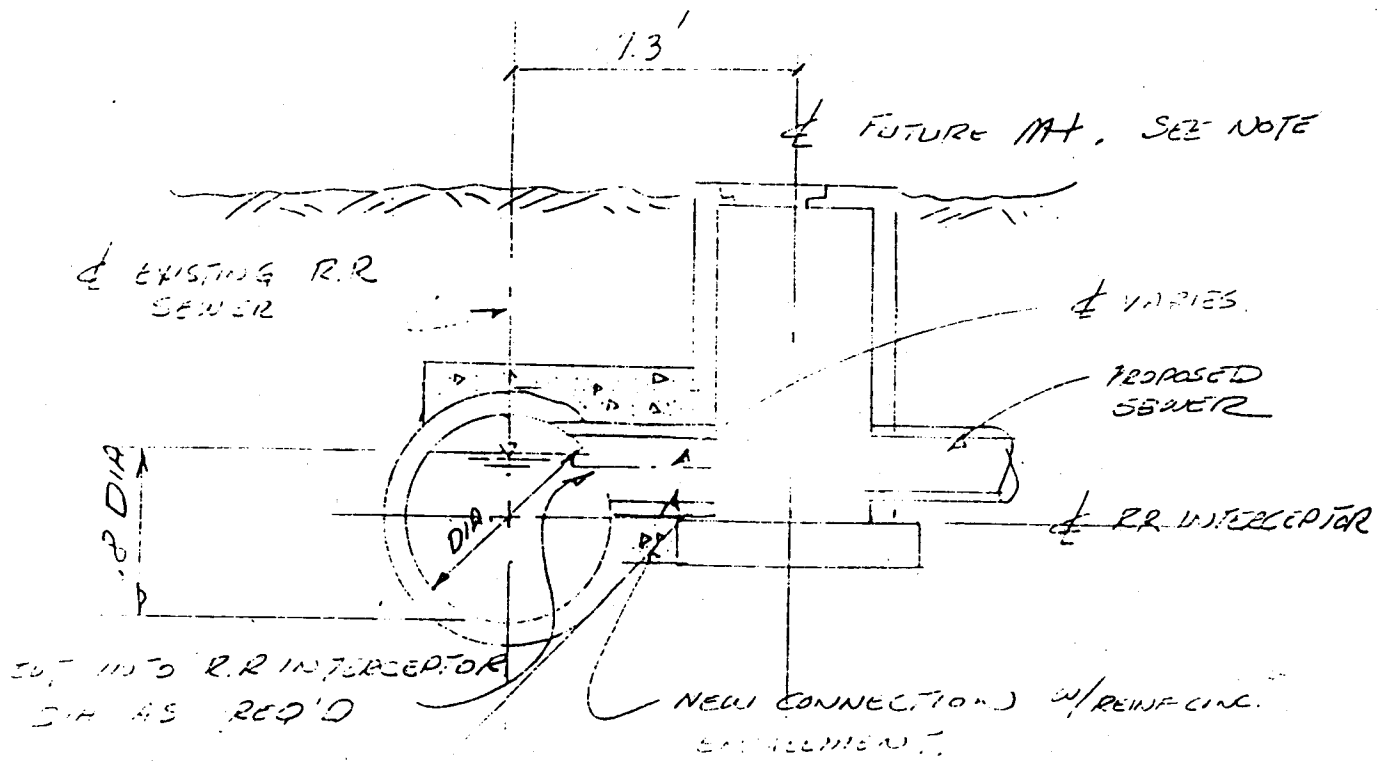
10000 River Road
Grand Junction, CO 81501
Phone (303) 241-1111
Telex 311111
Fax (303) 241-1111
Henningson, Dunn & Richardson, Inc.
A Division of HDR Inc.
Grand Junction, CO 81501



7.0'
FUTURE IN
EXIST. IN.

EXIST. RIVER ROAD
INTERCEPTOR

PLAN



NOTE: FUTURE M.A. SHALL BE CONSTRUCTED WITHIN 7' OF ∅ RR INTERCEPTOR M.A., UP STREAM OR DOWNSTREAM OF EXITING M.A.

SECTION