



Purchasing Division

**Invitation for Bid**  
**IFB-4133-15-NJ**  
**Buthorn Drainage Project Materials**

**Responses Due:**

November 10, 2015 prior to 3:30 PM Local

**Accepting Electronic Responses Only**

**Responses Only Submitted Through the Rocky Mountain E-Purchasing System (RMEPS)**

**<https://www.rockymountainbidsystem.com/default.asp>**

(Purchasing Representative does not have access or control of the vendor side of RMEPS. If website or other problems arise during response submission, vendor **MUST** contact RMEPS to resolve issue prior to the response deadline. 800-835-4603)

**Purchasing Representative:**

Nicholas C Jones, Buyer

**[Nickj@gjcity.org](mailto:Nickj@gjcity.org)**

Phone (970)244-1533

This document has been developed specifically to solicit competitive responses for this solicitation, and may not be the same as previous City of Grand Junction/Mesa County solicitations. All vendors are urged to thoroughly review this solicitation prior to responding. Submittal by **FAX, EMAIL or HARD COPY IS NOT ACCEPTABLE** for this solicitation.

# **Invitation for Bids**

## **Table of Contents**

Section 1	Instruction to Bidders
Section 2	General Contract Conditions
Section 3	Statement of Work/Specifications
Section 4	Bid Form

Price Bid Schedule Form

### **Attachments:**

Buthorn Drainage Improvements Drawings

# **1. Instructions to Bidders**

- 1.1. **Purpose:** The City of Grand Junction, on behalf of the Engineering Division, is soliciting competitive bids from qualified and interested companies for all labor, equipment, and materials required for the delivery of the Buthorn Drainage Project Materials as specified. Installation will be completed by the Owner. All dimensions and scope of work should be verified by Bidders prior to submission of bids.
- 1.2. **The Owner:** The Owner is the City of Grand Junction, Colorado and is referred to throughout this Solicitation. The term Owner means the Owner or his authorized representative.
- 1.3. **Submission:** **Each response shall be submitted in electronic format only, and only through the Rocky Mountain E-Purchasing website (<https://www.rockymountainbidssystem.com/default.asp>).** *This site offers both "free" and "paying" registration options that allow for full access of the Owner's documents and for electronic submission of responses. (Note: "free" registration may take up to 24 hours to process. Please Plan accordingly.)* Please view our **"Electronic Vendor Registration Guide"** at <http://www.gjcity.org/BidOpenings.aspx> for details. (Purchasing Representative does not have access or control of the vendor side of RMEPS. If website or other problems arise during response submission, vendor **MUST** contact RMEPS to resolve issue prior to the response deadline. **800-835-4603**)
- 1.4. **Printed Form for Price Bid:** All Price Bids must be made upon the Bid Form attached, and should give the amounts both in words and in figures, and must be signed and acknowledged by the bidder.
- 1.5. **Exclusions:** No oral, telephonic, emailed, or facsimile bid will be considered
- 1.6. **Contract Documents:** The complete IFB and bidder's response compose the Contract Documents. Copies of these documents can be obtained from the City Purchasing website, <http://www.gjcity.org/BidOpenings.aspx>.
- 1.7. **Examination of Specifications:** Bidders shall thoroughly examine and be familiar with the project Statement of Work. The failure or omission of any Bidder to receive or examine any form, addendum, or other document shall in no way relieve any Bidder from any obligation with respect to his bid. The submission of a bid shall be taken as evidence of compliance with this section.
- 1.8. **Questions Regarding Statement of Work:** Any information relative to interpretation of Scope of Work or specifications shall be requested of the Purchasing Representative, in writing, in ample time prior to the response time.
- 1.9. **Addenda & Interpretations:** All Questions shall be submitted in writing to the appropriate person as shown in Section 1.1. Any interpretations, corrections and changes to this solicitation or extensions to the opening/receipt date shall be made

by a written Addendum to the solicitation by the Owner. Sole authority to authorize addenda shall be vested in the Purchasing Representative. Addenda will be issued electronically through the Rocky Mountain E-Purchasing website at [www.rockymountainbidsystem.com](http://www.rockymountainbidsystem.com). Bidders shall acknowledge receipt of all addenda in their response and are solely responsible for obtaining all solicitation documents.

- 1.10. **Taxes:** The Owner is exempt from State retail and Federal tax. The bid price must be net, exclusive of taxes.
- 1.11. **Offers Binding 60 Days:** Unless otherwise specified, all formal offers submitted shall be binding for sixty (60) calendar days following opening date, unless the Bidder, upon request of the Purchasing Representative, agrees to an extension.
- 1.12. **Collusion Clause:** Each bidder by submitting a bid certifies that it is not party to any collusive action or any action that may be in violation of the Sherman Antitrust Act. Any and all bids shall be rejected if there is evidence or reason for believing that collusion exists among bidders. The Owner may, or may not, accept future bids for the same services or commodities from participants in such collusion.
- 1.13. **Public Disclosure Record:** If the bidder has knowledge of their employee(s) or sub-contractors having an immediate family relationship with an Owner employee or elected official, the bidder must provide the Purchasing Representative with the name(s) of these individuals. These individuals are required to file an acceptable "Public Disclosure Record", a statement of financial interest, before conducting business with the Owner.
- 1.14. **Public Opening:** Responses shall be opened in the City Hall Auditorium 250 North 5th Street, Grand Junction, CO 81501 immediately following the solicitation deadline.

## **2. General Contract Conditions**

- 2.1. **The Contract:** This Invitation for Bid, submitted documents, and any negotiations, when properly accepted by the Owner, shall constitute a contract equally binding between the Owner and Bidder. The contract represents the entire and integrated agreement between the parties hereto and supersedes all prior negotiations, representations, or agreements. The contract may be amended or modified with Change Orders, Field Orders, or Amendment(s).
- 2.2. **Execution, Correlation, Intent, and Interpretations:** The Contract Documents and/or Purchase Order shall be signed by the Owner (Owner) and Contractor. Owner will provide the contract/purchase order. By executing the contract/purchase order, the Bidder represents that they have familiarized themselves with the local conditions under which the work is to be performed, and correlated his observations with the requirements of the Contract Documents. The Contract Documents are complementary, and what is required by any one, shall

be as binding as if required by all. The intention of the documents is to include all labor, materials, equipment and other items necessary for the proper execution and completion of the scope of work as defined herein. All drawings, specifications and copies furnished by the Owner are, and shall remain, Owner property. They are not to be used on any other project, and with the exception of one contract set for each party to the contract, are to be returned to the owner on request at the completion of the work.

- 2.3. The Owner:** The Owner is the City of Grand Junction, Colorado and is referred to throughout the Contract Documents. The term Owner means the Owner or his authorized representative. The Owner shall, at all times, have access to the work wherever it is in preparation or progress. The Contractor shall provide facilities for such access. The Owner will familiarize himself generally with the progress and quality of work and to determine, in general, if the work is proceeding in accordance with the contract documents. The Owner will not be responsible for the acts or omissions of the Contractor, and sub-Contractor, or any of their agents or employees, or any other persons performing any of the work.
- 2.4. Contractor:** The Contractor is the person or organization identified as such in the Agreement and is referred to throughout the Contract Documents. The term Contractor means the Contractor or his authorized representative. The Contractor shall carefully study and compare the General Contract Conditions of the Contract, Specification and/or Drawings, Scope of Work, Addenda and Modifications and shall at once report to the Owner any error, inconsistency or omission he may discover. Contractor shall not be liable to the Owner for any damage resulting from such errors, inconsistencies or omissions. The Contractor shall not commence work without clarifying Drawings, Specifications, or Interpretations.
- 2.5. Warranty:** The Contractor warrants to the Owner that all materials and equipment furnished under this contract will be new unless otherwise specified, and that all work will be of good quality, free from faults and defects and in conformance with the Contract Documents. All work not so conforming to these standards may be considered defective. If required by Owner, the Contractor shall furnish satisfactory evidence as to the kind and quality of materials and equipment. If within ten (10) days after written notice to the Contractor requesting such repairs or replacement, the Contractor should neglect to make or undertake with due diligence to the same, the Owner may make such repairs or replacements. All indirect and direct costs of such correction or removal or replacement shall be at the Contractor's expense. The Contractor will also bear the expenses of curing all work of others, destroyed or damaged, by the correction, removal or replacement of defective work.
- 2.6. Permits, Fees, & Notices:** The Contractor shall secure and pay for all permits, governmental fees and licenses necessary for the proper execution and completion of the work. The Contractor shall give all notices and comply with all laws, ordinances, rules, regulations and orders of any public authority bearing on the performance of the work. If the Contractor observes that any of the Contract Documents are at variance in any respect, the Contractor shall promptly notify the

Owner in writing, and any necessary changes shall be adjusted by approximate modification. If the Contractor performs any work knowing it to be contrary to such laws, ordinances, rules and regulations, and without such notice to the Owner, the Contractor shall assume full responsibility and shall bear all costs attributable.

- 2.7. Responsibility for Those Performing the Work:** The Contractor shall be responsible to the Owner for the acts and omissions of all their employees and all sub-contractors, their agents and employees, and all other persons performing any of the work under a contract with the Contractor.
- 2.8. Indemnification:** The Contractor shall defend, indemnify and save harmless the Owner, and all its officers, employees, insurers, and self-insurance pool, from and against all liability, suits, actions, or other claims of any character, name and description brought for or on account of any injuries or damages received or sustained by any person, persons, or property on account of any negligent act or fault of the Contractor, or of any Contractor's agent, employee, sub-contractor or supplier in the execution of, or performance under, any contract which may result from response award. Contractor shall pay any judgment with cost which may be obtained against the Owner growing out of such injury or damages.
- 2.9. Miscellaneous Conditions:** Material Availability: Contractors must accept responsibility for verification of material availability, production schedules, and other pertinent data prior to submission of bid. It is the responsibility of the bidder to notify the Owner immediately if materials specified are discontinued, replaced, or not available for an extended period of time. OSHA Standards: All bidders agree and warrant that services performed in response to this invitation shall conform to the standards declared by the US Department of Labor under the Occupational Safety and Health Act of 1970 (OSHA). In the event the services do not conform to OSHA standards, the Owner may require the services to be redone at no additional expense to the Owner.
- 2.10. Time:** The Contract Time is the period of time allotted in the Contract Documents for completion of the work. The date of commencement of the work is the date established in the Contract Documents.
- 2.11. Progress & Completion:** The Contractor shall begin work on the date of commencement as defined in the Contract, and shall carry the work forward expeditiously with adequate forces and shall complete it within the contract time.
- 2.12. Payment & Completion:** The Contract Sum is stated in the Contract and is the total amount payable by the Owner to the Contractor for the performance of the work under the Contract Documents. Upon receipt of the product or written notice that the work is ready for final inspection and acceptance and upon receipt of application for payment, the Owner's Project Manager will promptly make such inspection and, when he finds the work acceptable under the Contract Documents and the Contract fully performed, the Owner shall make payment in the manner provided in the Contract Documents.

- 2.13. Protection of Persons & Property:** The Contractor shall comply with all applicable laws, ordinances, rules, regulations and orders of any public authority having jurisdiction for the safety of persons or property or to protect them from damage, injury or loss. Contractor shall erect and maintain, as required by existing safeguards for safety and protection, and all reasonable precautions, including posting danger signs or other warnings against hazards promulgating safety regulations and notifying owners and users of adjacent utilities. When or where any direct or indirect damage or injury is done to public or private property by or on account of any act, omission, neglect, or misconduct by the Contractor in the execution of the work, or in consequence of the non-execution thereof, the Contractor shall restore, at their own expense, such property to a condition similar or equal to that existing before such damage or injury was done, by repairing, rebuilding, or otherwise restoring as may be directed, or they shall make good such damage or injury in an acceptable manner.
- 2.14. Changes in the Work:** The Owner, without invalidating the contract, may order changes in the work within the general scope of the contract consisting of additions, deletions or other revisions, the contract sum and the contract time being adjusted accordingly. All such changes in the work shall be authorized by Change Order/Amendment and shall be executed under the applicable conditions of the contract documents. A Change Order/Amendment is a written order to the Contractor signed by the Owner issued after the execution of the contract, authorizing a change in the work or an adjustment in the contract sum or the contract time. The contract sum and the contract time may be changed only by Change Order/Amendment.
- 2.15. Claims for Additional Cost or Time:** If the Contractor wishes to make a claim for an increase in the contract sum or an extension in the contract time, the Contractor shall give the Owner written notice thereof within a reasonable time after the occurrence of the event giving rise to such claim. This notice shall be given by the Contractor before proceeding to execute the work, except in an emergency endangering life or property in which case the Contractor shall precede in accordance with the regulations on safety. No such claim shall be valid unless so made. Any change in the contract sum or contract time resulting from such claim shall be authorized by Change Order/Amendment.
- 2.16. Minor Changes in the Work:** The Owner shall have authority to order minor changes in the work not involving an adjustment in the contract sum or an extension of the contract time and not inconsistent with the intent of the contract documents. This may be accomplished through a Field Order.
- 2.17. Uncovering & Correction of Work:** The Contractor shall promptly correct all work rejected by the Owner as defective or as failing to conform to the contract documents whether observed before or after substantial completion and whether or not fabricated installed or competed. The Contractor shall bear all costs of correcting such rejected work, including the cost of the Owner's additional services thereby made necessary. If within one (1) year after the date of completion or within such longer period of time as may be prescribed by law or by the terms of

any applicable special guarantee required by the contract documents, any of the work found to be defective or not in accordance with the contract documents, the Contractor shall correct it promptly after receipt of a written notice from the Owner to do so unless the Owner has previously given the Contractor a written acceptance of such condition. The Owner shall give such notice promptly after discover of condition. All such defective or non-conforming work under the above paragraphs shall be removed from the site where necessary and the work shall be corrected to comply with the contract documents without cost to the Owner. The Contractor shall bear the cost of curing all work of separate Contractors destroyed or damaged by such removal or correction. If the Owner prefers to accept defective or non-conforming work, Owner may do so instead of requiring its removal and correction, in which case a Change Order/Amendment will be issued to reflect an appropriate reduction in the payment or contract sum, or, if the amount is determined after final payment, it shall be paid by the Contractor.

- 2.19. Change Order/Amendment:** No oral statement of any person shall modify or otherwise change, or affect the terms, conditions or specifications stated in the resulting contract. All Change Orders/Amendments to the contract shall be made in writing by the Owner.
- 2.20. Assignment:** The Contractor shall not sell, assign, transfer or convey any contract resulting from this Solicitation, in whole or in part, without the prior written approval from the Owner.
- 2.21. Cancellation of Solicitation:** Any solicitation may be canceled by the Owner or any solicitation response by a vendor may be rejected in whole or in part when it is in the best interest of the Owner.
- 2.22. Compliance with Laws:** Bids must comply with all Federal, State, County and local laws governing or covering this type of service and the fulfillment of all ADA (Americans with Disabilities Act) requirements.
- 2.23. Confidentiality:** All materials submitted in response to this Solicitation shall ultimately become public record and shall be subject to inspection after contract award. “**Proprietary or Confidential Information**” is defined as any information that is not generally known to competitors and which provides a competitive advantage. Unrestricted disclosure of proprietary information places it in the public domain. Only submittal information clearly identified with the words “**Confidential Disclosure**” and uploaded as a separate document shall establish a confidential, proprietary relationship. Any material to be treated as confidential or proprietary in nature must include a justification for the request. The request shall be reviewed and either approved or denied by the Owner. If denied, the responder shall have the opportunity to withdraw its entire response, or to remove the confidential or proprietary restrictions. Neither cost nor pricing information nor the total response shall be considered confidential or proprietary.
- 2.24. Conflict of Interest:** No public official and/or Owner employee shall have interest in any contract resulting from this Solicitation.



- 2.25. Contract Termination:** This contract shall remain in effect until any of the following occurs: (1) contract expires; (2) completion of work; (3) acceptance of work or, (4) for convenience terminated by either party with a written *Notice of Cancellation* stating therein the reasons for such cancellation and the effective date of cancellation.
- 2.26. Employment Discrimination:** During the performance of any services per agreement with the Owner, the Contractor, by submitting a response, agrees to the following conditions:
- 2.26.1.** The Contractor shall not discriminate against any employee or applicant for employment because of race, religion, color, sex, age, handicap, or national origin except when such condition is a legitimate occupational qualification reasonably necessary for the normal operations of the Contractor. The Contractor agrees to post in conspicuous places, visible to employees and applicants for employment, notices setting forth the provisions of this nondiscrimination clause.
- 2.26.2.** The Contractor, in all solicitations or advertisements for employees placed by or on behalf of the Contractor, shall state that such Contractor is an Equal Opportunity Employer.
- 2.26.3.** Notices, advertisements, and solicitations placed in accordance with federal law, rule, or regulation shall be deemed sufficient for the purpose of meeting the requirements of this section.
- 2.27. Immigration Reform and Control Act of 1986 and Immigration Compliance:** The Contractor certifies that it does not and will not during the performance of the contract employ illegal alien workers or otherwise violate the provisions of the Federal Immigration Reform and Control Act of 1986 and/or the immigration compliance requirements of State of Colorado C.R.S. § 8-17.5-101, *et seq.* (House Bill 06-1343).
- 2.28. Ethics:** The Contractor shall not accept or offer gifts or anything of value nor enter into any business arrangement with any employee, official, or agent of the Owner.
- 2.29. Failure to Deliver:** In the event of failure of the Contractor to deliver work in accordance with the contract terms and conditions, the Owner, after due oral or written notice, may procure the work from other sources and hold the Contractor responsible for any costs resulting in additional purchase and administrative services. This remedy shall be in addition to any other remedies that the Owner may have.
- 2.30. Failure to Enforce:** Failure by the Owner at any time to enforce the provisions of the contract shall not be construed as a waiver of any such provisions. Such failure to enforce shall not affect the validity of the contract or any part thereof or the right of the Owner to enforce any provision at any time in accordance with its terms.

- 2.31. Force Majeure:** The Contractor shall not be held responsible for failure to perform the duties and responsibilities imposed by the contract due to legal strikes, fires, riots, rebellions, and acts of God beyond the control of the Contractor, unless otherwise specified in the contract.
- 2.32. Independent Contractor:** The Contractor shall be legally considered an Independent Contractor and neither the Contractor nor its employees shall, under any circumstances, be considered servants or agents of the Owner. The Owner shall be at no time legally responsible for any negligence or other wrongdoing by the Contractor, its servants, or agents. The Owner shall not withhold from the contract payments to the Contractor any federal or state unemployment taxes, federal or state income taxes, Social Security Tax or any other amounts for benefits to the Contractor. Further, the Owner shall not provide to the Contractor any insurance coverage or other benefits, including Workers' Compensation, normally provided by the Owner for its employees.
- 2.33. Nonconforming Terms and Conditions:** A response that includes terms and conditions that do not conform to the terms and conditions of this Solicitation is subject to rejection as non-responsive. The Owner reserves the right to permit the Contractor to withdraw nonconforming terms and conditions from its response prior to a determination by the Owner of non-responsiveness based on the submission of nonconforming terms and conditions.
- 2.34. Ownership:** All plans, prints, designs, concepts, etc., shall become the property of the Owner.
- 2.35. Patents/Copyrights:** The Contractor agrees to protect the Owner from any claims involving infringements of patents and/or copyrights. In no event shall the Owner be liable to the Contractor for any/all suits arising on the grounds of patent(s)/copyright(s) infringement. Patent/copyright infringement shall null and void any agreement resulting from response to this Solicitation.
- 2.36. Remedies:** The Contractor and Owner agree that both parties have all rights, duties, and remedies available as stated in the Uniform Commercial Code.
- 2.37. Venue:** Any agreement as a result of responding to this Solicitation shall be deemed to have been made in, and shall be construed and interpreted in accordance with, the laws of the City of Grand Junction, Mesa County, Colorado.
- 2.38. Expenses:** Expenses incurred in preparation, submission and presentation of this Solicitation are the responsibility of the company and cannot be charged to the Owner.
- 2.39. Sovereign Immunity:** The Owner specifically reserves its right to sovereign immunity pursuant to Colorado State Law as a defense to any action arising in conjunction to this agreement.

- 2.40. Non-Appropriation of Funds:** The contractual obligation of the Owner under this contract is contingent upon the availability of appropriated funds from this fiscal year budget as approved by the City Council or Board of County Commissioners from this fiscal year only. **State of Colorado Statutes prohibit obligation of public funds beyond the fiscal year for which the budget was approved.** Anticipated expenditures/obligations beyond the end of the current Owner's fiscal year budget shall be subject to budget approval. Any contract shall be subject to, and must contain, a governmental non-appropriation of funds clause.
- 2.41. Cooperative Purchasing:** Purchases as a result of this solicitation are primarily for the Owner. Other governmental entities may be extended the opportunity to utilize the resultant contract award with the agreement of the successful provider and the participating agencies. All participating entities shall be required to abide by the specifications, terms, conditions and pricings established in this Solicitation. The quantities furnished in this bid document are for only the Owner. It does not include quantities for any other jurisdiction. The Owner shall be responsible only for the award for its jurisdiction. Other participating entities shall place their own awards on their respective Contract/Purchase Orders through their Purchasing Office or use their Purchasing Card for purchase/payment as authorized or agreed upon between the provider and the individual entity. The Owner accepts no liability for payment of orders placed by other participating jurisdictions that choose to piggy-back on our solicitation. Orders placed by participating jurisdictions under the terms of this solicitation shall indicate their specific delivery and invoicing instructions.
- 2.42. Keep Jobs in Colorado Act:** Contractor shall be responsible for ensuring compliance with Article 17 of Title 8, Colorado Revised Statutes requiring 80% Colorado labor to be employed on public works. Contractor shall, upon reasonable notice provided by the Owner, permit the Owner to inspect documentation of identification and residency required by C.R.S. §8-17-101(2)(a). If Contractor claims it is entitled to a waiver pursuant to C.R.S. §8-17-101(1), Contractor shall state that there is insufficient Colorado labor to perform the work such that compliance with Article 17 would create an undue burden that would substantially prevent a project from proceeding to completion, and shall include evidence demonstrating the insufficiency and undue burden in its response.

Unless expressly granted a waiver by the Owner pursuant to C.R.S. §8-17-101(1), Contractor shall be responsible for ensuring compliance with Article 17 of Title 8, Colorado Revised Statutes requiring 80% Colorado labor to be employed on public works. Contractor shall, upon reasonable notice provided by the Owner, permit the Owner to inspect documentation of identification and residency required by C.R.S. §8-17-101(2)(a).

**2.42.1.** "Public Works Project" is defined as:

- (a) any construction, alteration, repair, demolition, or improvement of any land, building, structure, facility, road, highway, bridge, or other public improvement suitable for and intended for use in the promotion of the public health, welfare, or safety and any maintenance programs for the upkeep of such projects

- (b) for which appropriate or expenditure of moneys may be reasonably expected to be \$500,000.00 or more in the aggregate for any fiscal year
- (c) except any project that receives federal moneys.

**2.43. Definitions:**

- 2.43.1.** The term "Work" includes all labor, materials, equipment, and/or services necessary to produce the requirements of the Contract Documents.
- 2.43.2.** "Contractor" is the person or organization identified as such in the Agreement and is referred to throughout the Contract Documents. The term Contractor means the Contractor or his authorized representative. The Contractor shall carefully study and compare the General Contract Conditions of the Contract, Specification and Drawings, Scope of Work, Addenda and Modifications and shall at once report to the Owner any error, inconsistency or omission he may discover. Contractor shall not be liable to the Owner for any damage resulting from such errors, inconsistencies or omissions. The Contractor shall not commence work without clarifying Drawings, Specifications, or Interpretations.
- 2.43.3.** "Sub-Contractor is a person or organization who has a direct contract with the Contractor to perform any of the work at the site. The term sub-contractor is referred to throughout the contract documents and means a sub-contractor or his authorized representative.

### **3. Statement of Work/Specifications**

**3.1. General:** The City of Grand Junction, on behalf of the Engineering Division, is soliciting competitive bids from qualified and interested companies for all labor, equipment, and materials required for the delivery of the Buthorn Drainage Project Materials as specified. Installation will be completed by the Owner. All dimensions and scope of work should be verified by Bidders prior to submission of bids.

**3.2. Project Drawings:** The drawings for this Buthorn Drainage Improvements Project can be found as Attachment A to this solicitation.

**3.3. Pricing:** Pricing and fees shall be all inclusive to include all labor, materials, products, shipping and handling, travel, etc. Equipment shall be drop-shipped FOB Destination to 1810 Minnow Drive, Grand Junction, CO 81505.

**3.4. Installation:** Installation of the products shall be done by the Owner. Contractor/Vendor will not be requested to perform installation.

**3.5. IFB Tentative Time Schedule:**

- Invitation for Bids available November 4, 2015
- Inquiry deadline, no questions after this date November 6, 2015
- Addenda Issued by November 9, 2015
- Submittal deadline for response November 10, 2015
- City Council Approval (if required) November 18, 2015

**3.6. Questions Regarding Scope of Services:**

Nicholas C Jones, Buyer  
[Nickj@gjcity.org](mailto:Nickj@gjcity.org)

**3.7. Contract:** By submitting a response to this Invitation for Bids, the proposer acknowledges that work performed under this contract is contingent upon the applicable fiscal year funding and appropriations by the City of Grand Junction City Council.

## **4. Contractor's Bid Form**

**Bid Date:** \_\_\_\_\_

**Project:** IFB-4133-15-NJ Buthorn Drainage Project Materials

**Bidding Company:** \_\_\_\_\_

**Name of Authorized Agent:** \_\_\_\_\_

**Email** \_\_\_\_\_

**Telephone** \_\_\_\_\_ **Address** \_\_\_\_\_

**City** \_\_\_\_\_ **State** \_\_\_\_\_ **Zip** \_\_\_\_\_

The undersigned Bidder, in compliance with the Invitation for Bids, having examined the Solicitation Documents thereto, having investigated the location of, and conditions affecting the proposed work, hereby proposes to furnish all labor, materials and supplies, and to perform all work for the Project in accordance with Contract Documents, within the time set forth and at the prices stated below. These prices are to cover all expenses incurred in performing the work required under the Contract Documents, of which this Contractor's Bid Form is a part.

The undersigned Contractor does hereby declare and stipulate that this offer is made in good faith without collusion or connection to any person(s) providing an offer for the same work, and that it is made in pursuance of, and subject to, all terms and conditions of the Instructions to Bidders, the Specifications, and all other Solicitation Documents, all of which have been examined by the undersigned.

The Contractor also agrees that if awarded the Contract, to provide insurance certificates within ten (10) working days of the date of Notification of Award. Submittal of this offer will be taken by the Owner as a binding covenant that the Contractor will be prepared to complete the project in its entirety.

The Owner reserves the right to make the award on the basis of the offer deemed most favorable, to waive any formalities or technicalities and to reject any or all offers. It is further agreed that this offer may not be withdrawn for a period of sixty (60) calendar days after closing time. Submission of clarifications and revised offers automatically establish a new thirty day (30) period.

RECEIPT OF ADDENDA: the undersigned Contractor acknowledges receipt of Addenda to the Solicitation, Specifications, and other Contract Documents.

State number of Addenda received: \_\_\_\_\_.

It is the responsibility of the Bidder to ensure all Addenda have been received and acknowledged.

**PRICE BID SCHEDULE: IFB-4133-15-NJ Buthorn Drainage Project Materials**

Item #	CDOT City Ref.	Description	Quantity	Units	Unit Price	Total Price
1	108.2	60" Storm Drain Pipe (ASTM C-76 Class 3 Concrete Reinforced)( Include Gaskets and Lube)	375.	LF		
2	108.2	18" Storm Drain Pipe (SDR-35)	28.	LF		
3	108.5	Storm Manhole Elbow ( 60" with 48" Riser) ( Basic Manhole)(Price to include Cast Iron Ring and Cover)(Fish Lid)	1.	EA		
4	108.5	Storm Manhole Tee (60" with 48" Riser)(Basic Manhole)(Price to include Cast Iron Ring and Cover)(Fish Lid)	1.	EA		
5	108.5	Storm Sewer Manhole Barrel Section(48" I.D.)	12.5	VF		
6	108.6	Double Storm Drain Inlet (Vertical Curb)	1.	EA		
				<b>Bid Amount:</b>	\$	

**Total Bid Price Written:**

---

- Direct purchases by the City of Grand Junction are tax exempt from Colorado Sales or Use Tax. Tax exempt #98-903544.
- The undersigned certifies that no Federal, State, County or Municipal tax will be added to the above quoted prices.
- Prompt payment discount of \_\_\_\_\_percent of the net dollar amount will be offered to the Owner if the invoice is paid within \_\_\_\_\_ days after the receipt of the invoice.
- The undersigned certifies and agrees that this bid is submitted in accordance with all applicable Federal, State, County, and City laws.

*By signing below*, the Undersigned agree to comply with all terms and conditions contained herein.

**Company:** \_\_\_\_\_

**Authorized  
Signature:** \_\_\_\_\_

**Title:** \_\_\_\_\_



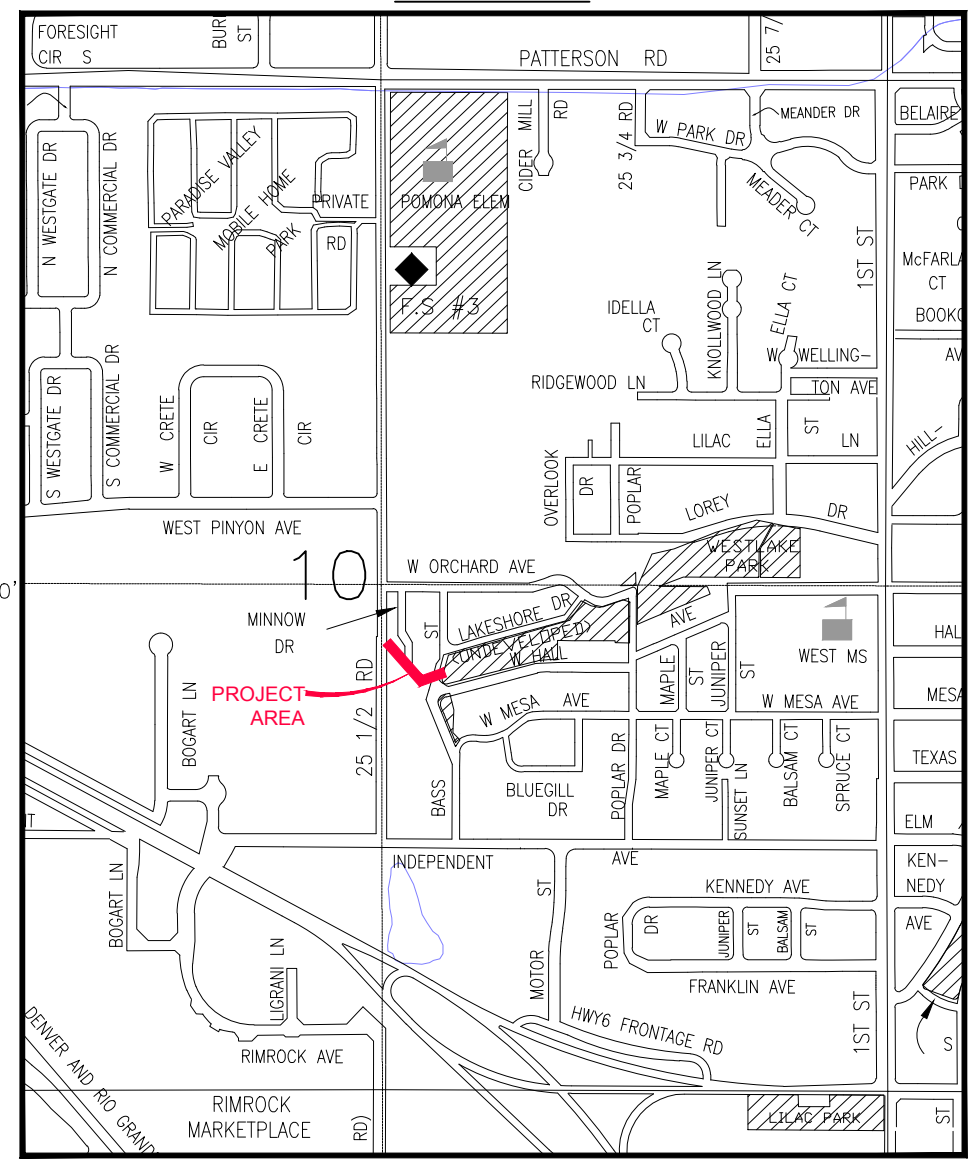
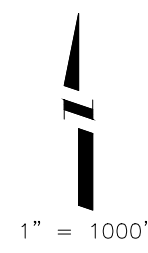
# BUTHORN DRAINAGE IMPROVEMENTS

## 25 1/2 ROAD TO BASS STREET

### OCTOBER, 2015

- 1 ——— Cover Sheet
- 2 ——— Standard Abbreviations, Legend, and Symbols
- 3 ——— Plan and Profile

VICINITY MAP



UTILITIES AND AGENCIES								
AGENCY	NAME	POSITION	ROLE	MAILING ADDRESS	STREET ADDRESS	CITY, STATE	VOICE-WK	FAX
GRAND JUNCTION, CITY OF	JUSTIN VENSEL	PROJECT ENGINEER	PROJECT ENGINEER	250 N. 5th STREET	250 N. 5th STREET	GRAND JCT., CO 81501	(970) 256-4017	(970) 256-4022
GRAND JUNCTION, CITY OF	BRET GUILLORY	UTILITY ENGINEER	SANITARY SEWER	250 N. 5th STREET	250 N. 5th STREET	GRAND JCT., CO 81501	(970) 244-1590	(970) 256-4022
GRAND VALLEY IRRIGATION CO.	PHIL BERTRAND		IRRIGATION	688 26 ROAD	688 26 ROAD	GRAND JCT., CO 81506	(970) 242-2762	
BRESNAN	JEFF VALDEZ	MANAGER	CABLE TV	2502 FORESIGHT CIRCLE	2502 FORESIGHT CIRCLE	GRAND JCT., CO 81504	(970) 263-2314	(970) 245-6803
U.S. WEST/QWEST	CHRIS JOHNSON	ENGINEER	TELEPHONE	2524 BLICHMANN AVE	2524 BLICHMANN AVE	GRAND JCT., CO 81504	(970) 244-4311	(970) 240-4349
UTE WATER	DARYL MOORE	SUPERVISOR	WATER	PO BOX 460		GRAND JCT., CO 81502	(970) 242-7491	(970) 242-9189
XCEL	JON PRICE	DESIGN ENGINEER	GAS, ELECTRIC	2538 BLICHMANN AVE	2538 BLICHMANN AVE	GRAND JCT., CO 81506	(970) 244-2693	(970) 244-2661



## Public Works & Utilities Engineering Division

DRAWING STATUS:	
●	PROGRESS
○	FINAL CONSTRUCTION DRAWINGS
○	ASBUILT
DESIGNED BY:	
JUSTIN VENSEL, PROJECT ENGINEER	DATE
REVIEWED BY:	
BRET GUILLORY, UTILITY ENGINEER	DATE
AUTHORIZED FOR CONSTRUCTION	
TRENTON C. PRALL, CITY ENGINEER	DATE
ACCEPTED AS CONSTRUCTED	
JUSTIN VENSEL, PROJECT ENGINEER	DATE

NOTE: NOTIFY AFFECTED UTILITY VENDOR 48 HOURS PRIOR TO EXCAVATIONS THAT WILL EXPOSE UTILITY LINES. THE COVER SHEET WILL HAVE A LISTING OF UTILITY VENDORS AND TELEPHONE NUMBERS.

REVISION	DESCRIPTION	DATE
REVISION	_____	_____
REVISION	_____	_____
REVISION	_____	_____
REVISION	_____	_____

G:\landpro\2015 Bass Street Storm Drainage\dwg\Bass Street Storm Drain.dwg, 1, 10/12/2015 2:58:38 PM

SAFE ROUTES TO SCHOOLS, MONTH?, 2015, Plan Set No. —

**ABBREVIATIONS**

AASHTO	AMERICAN ASSOCIATION OF STATE HIGHWAY & TRANSPORTATION OFFICIALS
ABC	AGGREGATE BASE COURSE
AC	ASBESTOS CEMENT
AP	ANGLE POINT
ASB	ANCHORED STRAW BALES
ASP	ALUMINIZED STEEL PIPE
ASTM	AMERICAN SOCIETY FOR TESTING MATERIALS
AWWA	AMERICAN WATER WORKS ASSOCIATION
BC	BACK OF CURB
BF	BUTTERFLY VALVE
BOW	BACK OF WALK
BCR	BEGIN CURB RETURN
BOT	BOTTOM
BSWMP	BETTER STORM WATER MANAGEMENT PRACTICES
CH	CHORD
CAP	CORRUGATED ALUMINUM PIPE
CDOT	COLORADO DEPARTMENT OF TRANSPORTATION
CI	CAST IRON
C,G,& SW	CURB, GUTTER & SIDEWALK
CL	CENTER LINE
CL	CLEAR
CMP	CORRUGATED METAL PIPE
CO	CLEAN OUT
COMB	COMBINATION (AS IN STORM SEWER AND SANITARY SEWER)
CONC	CONCRETE
CSM	CITY SURVEY MONUMENT
CSP	CORRUGATED STEEL PIPE
CU	COPPER
DI	DUCTILE IRON
DWY	DRIVEWAY
E	ELECTRIC
ECR	END CURB RETURN
EG	EDGE OF GUTTER
EL	ELEVATION
EP	EDGE OF PAVEMENT
EX	EXISTING
FB	FULL BODY
FC	FACE OF CURB
FG	FINISHED GRADE
FL	FLOW LINE
FL	FLANGE
FM	FORCE MAIN
FO	FIBER OPTICS
FS	FAR SIDE
FTG	FOOTING
G	GAS
GB	GRADE BREAK
GM	GAS METER
GV	GATE VALVE
HBP	HOT BITUMINOUS PAVEMENT
HDPE	HIGH DENSITY POLYETHYLENE
INV	INVERT
IRR	IRRIGATION
L	LENGTH OF ARC
LC	LONG CHORD
LF	LINEAR FEET
LL	LONG ARC
LS	SHORT ARC
LT	LEFT
MB	MAILBOX
MCSM	MESA COUNTY SURVEY MONUMENT
MH	MANHOLE
MJ	MECHANICAL JOINT
MW	MILL WRAP
N/A	NOT APPLICABLE
NIC	NOT IN CONTRACT
NOP	NO ONE PERSON
NRCP	NON-REINFORCED CONCRETE PIPE
NS	NEAR SIDE
NTS	NOT TO SCALE
OHP	OVERHEAD POWER
OHT	OVERHEAD TELEPHONE
PC	POINT OF CURVATURE
PCC	POINT OF COMPOUND CURVATURE
PE	POLYETHYLENE
PERF	PERFORATED
PI	POINT OF INTERSECTION
PIP	PLASTIC IRRIGATION PIPE
POT	POINT ON CURVE
POT	POINT ON TANGENT
PR	PROPOSED
PRC	POINT OF REVERSE CURVATURE
PT	POINT OF TANGENCY
PVC	POLYVINYL CHLORIDE
R	RADIUS
RCP	REINFORCED CONCRETE PIPE
REQ'D	REQUIRED
RG	RESTRAINED GLANDS
RL	LONG RADIUS
ROW	RIGHT OF WAY
RP	RADIUS POINT
RR	RAIL ROAD
RS	SHORT RADIUS
RT	RIGHT
S	SLOPE
SAN	SANITARY
SC	SHORT CHORD
SCD	STANDARD CONTRACT DOCUMENTS
SCH	SCHEDULE
SF	SILT FENCE
SL	SECTION LINE
SSRB	STANDARD SPECIFICATIONS FOR ROAD & BRIDGE CONSTRUCTION
SSUU	STANDARD SPECIFICATIONS FOR CONSTRUCTION OF UNDERGROUND UTILITIES
STA	STATION
STL	STEEL
STM	STORM
T	TELEPHONE
TAN	LENGTH OF TANGENT
TC	TOP OF CURB
TH	TEST HOLE
TV	TELEVISION
(TYP)	TYPICAL
UU	UNDERGROUND UTILITIES
VC	VERTICAL CURVE
VCP	VITRIFIED CLAY PIPE
VPC	VERTICAL POINT OF CURVATURE
VPC	VERTICAL POINT OF COMPOUND CURVATURE
VPRC	VERTICAL POINT OF REVERSE CURVATURE
VPI	VERTICAL POINT OF INTERSECTION
VPT	VERTICAL POINT OF TANGENCY
W	WATER
Δ	DELTA ANGLE

**LEGEND**

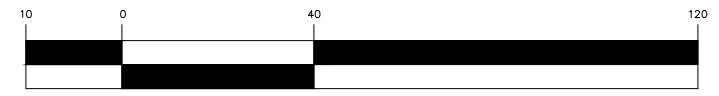
BSWMP	— — — — —
DRAINAGE BASIN BOUNDARY	— — — — —
BSWMP ANCHORED STRAW BALES	ASB ASB ASB
BSWMP SILT FENCE	SF SF SF
BUILDING	
CONCRETE CURB AND GUTTER	2' CURB AND GUTTER 7' C, G, & SW
CONCRETE CURB, GUTTER, & SIDEWALK	CONCRETE
CONCRETE DITCH	CONCRETE
CONCRETE SIDEWALK	4' SW
CULVERT	18" RCP
EARTH DITCH	EARTH
EDGE OF GRAVEL	---
EDGE OF PAVEMENT	---
FENCE (BARBED WIRE)	— X —
FENCE (CHAIN LINK)	— — — — —
FENCE (IRON)	— — — — —
FENCE (PLASTIC)	— — — — —
FENCE (WOOD)	— — — — —
FENCE (WOVEN WIRE)	— — — — —
GUARD RAIL	— — — — —
HATCHING: INDICATES ASPHALT REMOVAL	
HATCHING: INDICATES CONCRETE REMOVAL	
HATCHING: INDICATES STAGING AREA	+ + + STAGING AREA + + +
LINE (CENTER OF IMPROVEMENTS)	CENTERLINE
LINE (CITY LIMITS)	CITY LIMITS
LINE (CONTROL)	CONTROL LINE
LINE (EASEMENT)	---
LINE (MONUMENT/SECTION)	MONUMENT/SECTION LINE
LINE (PROPERTY)	---
LINE (RIGHT OF WAY)	---
MATCH LINE	MATCH LINE SEE SHEET NO ?
PIPE (IRRIGATION)	---
PIPE (SIPHON)	---

PROPOSED CONCRETE CURB AND GUTTER	=====
PROPOSED CONCRETE CURB, GUTTER, & SIDEWALK	=====
PROPOSED CONCRETE SIDEWALK	=====
PROPOSED "WET" UTILITIES (CONSTRUCTION NOTE WILL INDICATE TYPE, SIZE, AND MATERIAL OF NEW MAIN)	8" PVC SANITARY SEWER
ALL PROPOSED FEATURES NOT SHOWN IN LEGEND WILL BE SHOWN THE SAME AS THEIR EXISTING COUNTERPART, BUT INDICATED BY BOLDER LINETYPE	
RAIL ROAD	
RETAINING WALL	1' RETAINING WALL
STRIPING (CONTINUOUS WHITE)	WHITE
STRIPING (DASHED WHITE)	WHITE
STRIPING (CONTINUOUS YELLOW)	YELLOW
STRIPING (DASHED YELLOW)	YELLOW
TOP OF SLOPE	4570
CONTOUR LINES (SHOWN BETWEEN TOP & TOE)	4570
TOE OF SLOPE	4570
TRAFFIC DETECTOR LOOP	
UTILITY LINE (ABANDON) (THIS CASE A WATER LINE)	(ABANDONED)
UTILITY LINE (CABLE TV)	TV
UTILITY LINE (ELECTRIC)	E
UTILITY LINE (FIBER OPTIC)	FO OPT FO
UTILITY LINE (GAS)	G 1 1/4" MW G
UTILITY LINE (HIGH VOLTAGE OVERHEAD POWER)	HVHP
UTILITY LINE (OVERHEAD POWER)	OHP
UTILITY LINE (OVERHEAD TELEPHONE)	OHT
UTILITY LINE (SANITARY SEWER)	8" SAN
UTILITY LINE (SANITARY SEWER FORCE MAIN)	8" FM
UTILITY LINE (SANITARY SEWER SERVICE)	SS
UTILITY LINE (STORM SEWER)	8" STM
UTILITY LINE (STORM SEWER, PERFORATED)	6" PERF
UTILITY LINE (STORM/SANITARY SEWER SEWER COMBINATION)	18" COMB
UTILITY LINE (TELEPHONE)	T
UTILITY LINE (WATER)	W 8" W

**SYMBOLS**

BENCH MARK	
CATCH BASIN	
CLEAN OUT	
CURB STOP	
FIRE HYDRANT	
GUY WIRE ANCHOR	
HEADGATE	
IRRIGATION PUMP	
MAILBOX	
MANHOLE (ELECTRIC)	
MANHOLE (GAS)	
MANHOLE (SANITARY/STORM)	
MANHOLE (TELEPHONE)	
MANHOLE (TV)	
MANHOLE (WATER)	
METER (GAS)	
METER (WATER)	
PEDESTAL (TELEPHONE)	
PEDESTAL (TV)	
PROPERTY PIN	
PULL BOX	
REDUCER FITTING	
SIGN OR POST (SIGN TYPE NOTED)	
SPRINKLER HEAD	
STREET LIGHT	
SURVEY MONUMENT (CITY)	
SURVEY MONUMENT (TYPE NOTED)	
TEST HOLE	
TRAFFIC PAINT MARKING	
TRAFFIC SIGNAL POLE AND MAST ARM	
UTILITY POLE	
VALVE (GAS)	
VALVE (IRRIGATION)	
VALVE (WATER)	
VEGETATION (HEDGE OR BUSH)	
VEGETATION (TREE STUMP)	
VEGETATION (TREE) (CALIPER SIZE NOTED)	
WATER HYDRANT	
WEIR	
YARD LIGHT	

BAR SCALE:  
GRAPHIC SCALE



( IN FEET )  
1 inch = 40 ft.

NORTH ARROW:



G:\landpro\2015 Boss Street Drainage\dwg\Boss Street Storm Drain.dwg, 2, 10/12/2015 2:57:19 PM

REVISION	DESCRIPTION	DATE	DRAWN BY	JCS	DATE	4-02	SCALE	PLAN	PROFILE
REVISION			DESIGNED BY		DATE			HORIZ. 1"=20'	HORIZ.
REVISION			CHECKED BY		DATE				VERT.
REVISION			APPROVED BY		DATE				

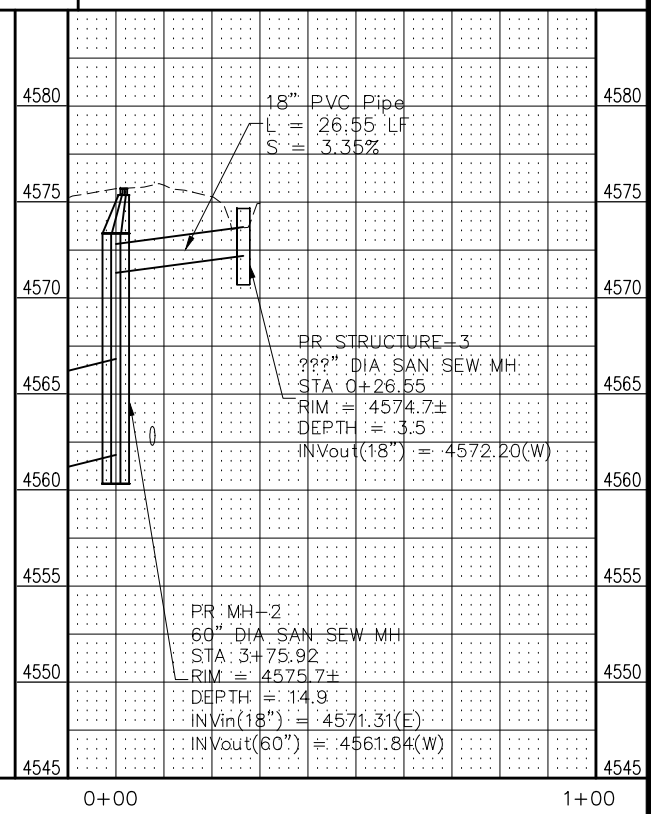
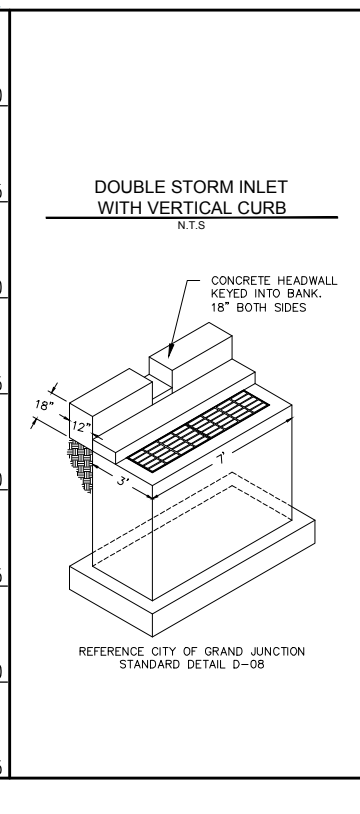
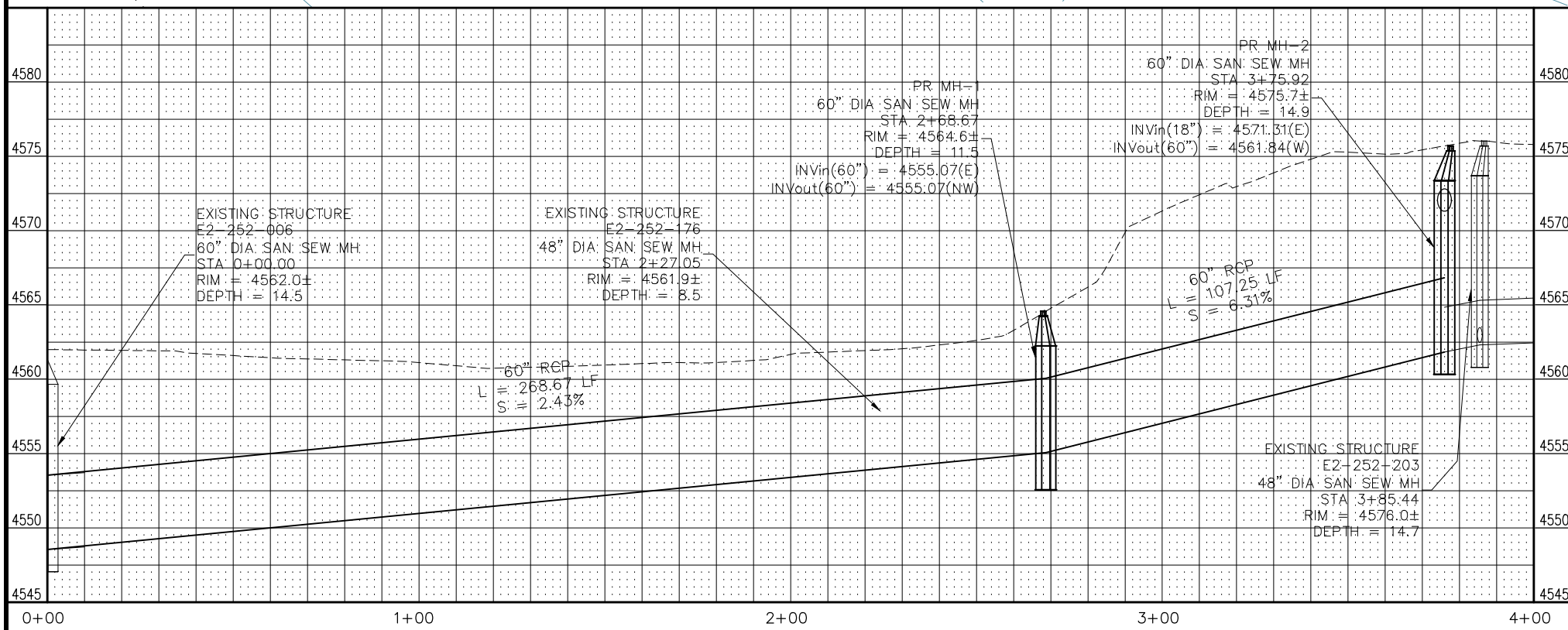
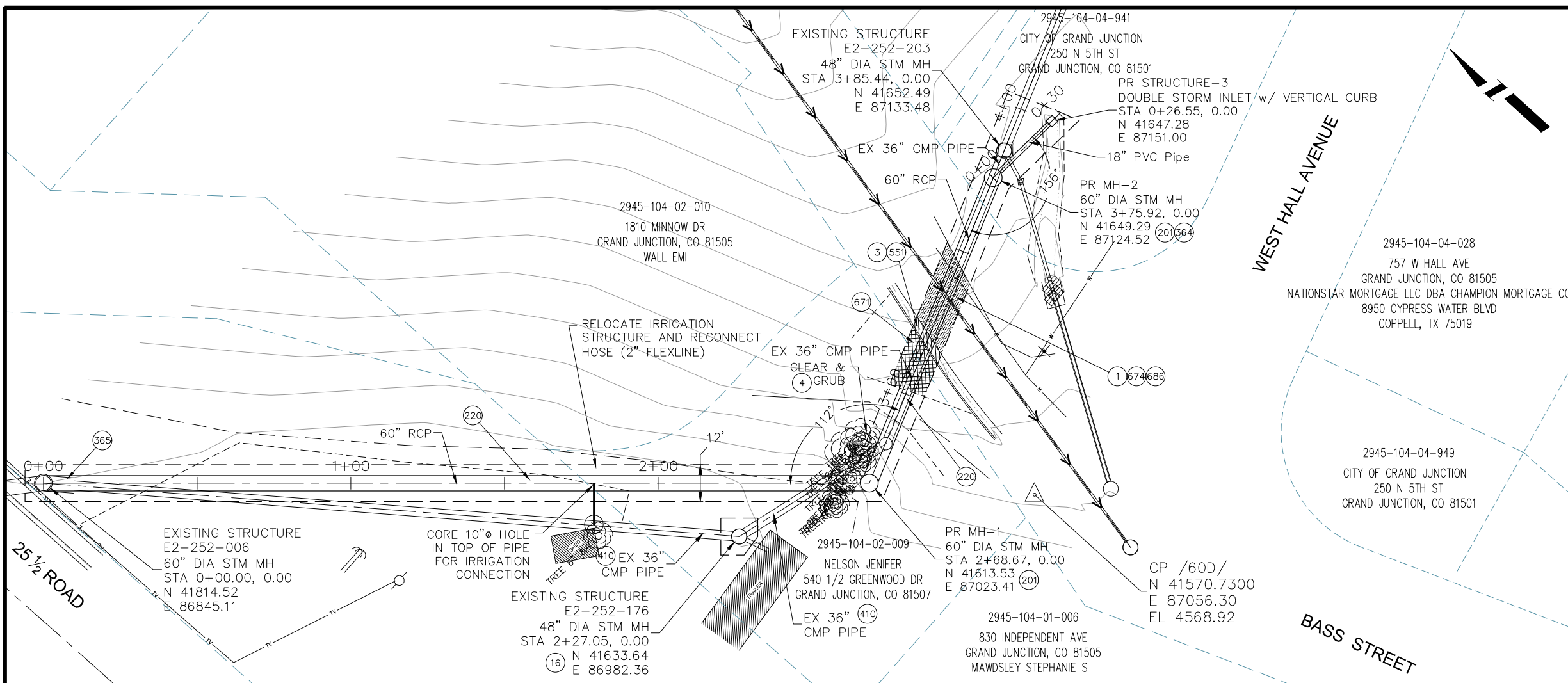


**PUBLIC WORKS  
AND UTILITIES  
ENGINEERING DIVISION**

**CITY OF GRAND JUNCTION  
STANDARD ABBREVIATIONS, LEGEND,  
AND SYMBOLS SHEET**

CONSTRUCTION NOTES

- 1 202 - REMOVAL OF ASPHALT MAT. CUT AND REMOVE ASPHALT AS SHOWN. (INDICATED BY DOT HATCH PATTERN)
- 3 202 - REMOVAL OF CONCRETE. SAW CUT AND REMOVE CONCRETE AS SHOWN. (INDICATED BY CROSS HATCH PATTERN) INCLUDES BUT NOT LIMITED TO CURB, GUTTER, SIDEWALK, DRIVEWAY, SLABS, V-PAN, CURB RAMPS, INTERSECTION CORNERS, APRONS, AND LANDSCAPE BORDERS.
- 4 202 - REMOVAL OF ALL TREES
- 16 202 - REMOVAL OF MANHOLE. CONTRACTOR SHALL SALVAGE RING AND COVER AND DELIVER TO CITY SHOPS.
- 201 102.11/108.5 - STORM SEWER BASIC MANHOLE (60" I.D.) INCLUDES CONNECTION OF ADJACENT STORM SEWER LINES, FORMING INVERTS AND ADJUSTING TO FINAL GRADE. (SEE CITY OF GRAND JUNCTION STANDARD DETAIL D-03).
- 220 102.10/108.2 - 60" STORM DRAIN PIPE (RCP). INCLUDES TYPE A BEDDING AND HAUNCHING MATERIAL AND BACKFILL OF TRENCH WITH NATIVE MATERIALS MEETING 103.16 EARTH BACKFILL MATERIAL.
- 364 CONNECT TO EXISTING 36" STORM SEWER PIPE. THE CONTRACT PRICE FOR STORM SEWER PIPE SHALL INCLUDE THE COST OF CONNECTION TO EXISTING PIPELINE.
- 365 CONNECT TO EXISTING 60" STORM SEWER PIPE. THE CONTRACT PRICE FOR STORM SEWER PIPE SHALL INCLUDE THE COST OF CONNECTION TO EXISTING PIPELINE.
- 410 102.8/108.3 - END CAP / PLUG (SIZE AS SHOWN).
- 551 608.06 - CONCRETE CURB (DRIVEWAY CURB)
- 671 304 - WASHED ROCK SURFACE COURSE FOR GRAVEL DRIVEWAYS. MATCH EXISTING TYPE. THICKNESS IS 2" MIN. AND 3" MAX.
- 674 304 - AGGREGATE BASE COURSE (CLASS 6) (8" THICK)
- 686 401.08 - HOT BITUMINOUS PAVEMENT (PATCHING) (3" THICK) (GRADING SX, BINDER GRADE PG 64-22)



REVISION	DESCRIPTION	DATE	DRAWN BY	HMC	DATE	2015
REVISION			DESIGNED BY	JVV	DATE	2015
REVISION			CHECKED BY		DATE	
REVISION			APPROVED BY		DATE	

SCALES:  
 HORIZONTAL: 1" = 40'  
 VERTICAL: 1" = 5'

**PUBLIC WORKS AND UTILITIES ENGINEERING DIVISION**

**BUTHORN DRAINAGE STORM PLAN AND PROFILES STA 0+00 TO STA 4+00**