



Purchasing Division

## **ADDENDUM NO. 3**

**DATE:** October 12, 2017  
**FROM:** City of Grand Junction Purchasing Division  
**TO:** All Offerors  
**RE:** Kannah Creek Intake Rehabilitation IFB-4414-17-DH

Offerors responding to the above referenced solicitation are hereby instructed that the requirements have been clarified, modified, superseded and supplemented as to this date as hereinafter described.

Please make note of the following clarifications:

1. For the contractor's convenience, please see the attached water screen drawings.

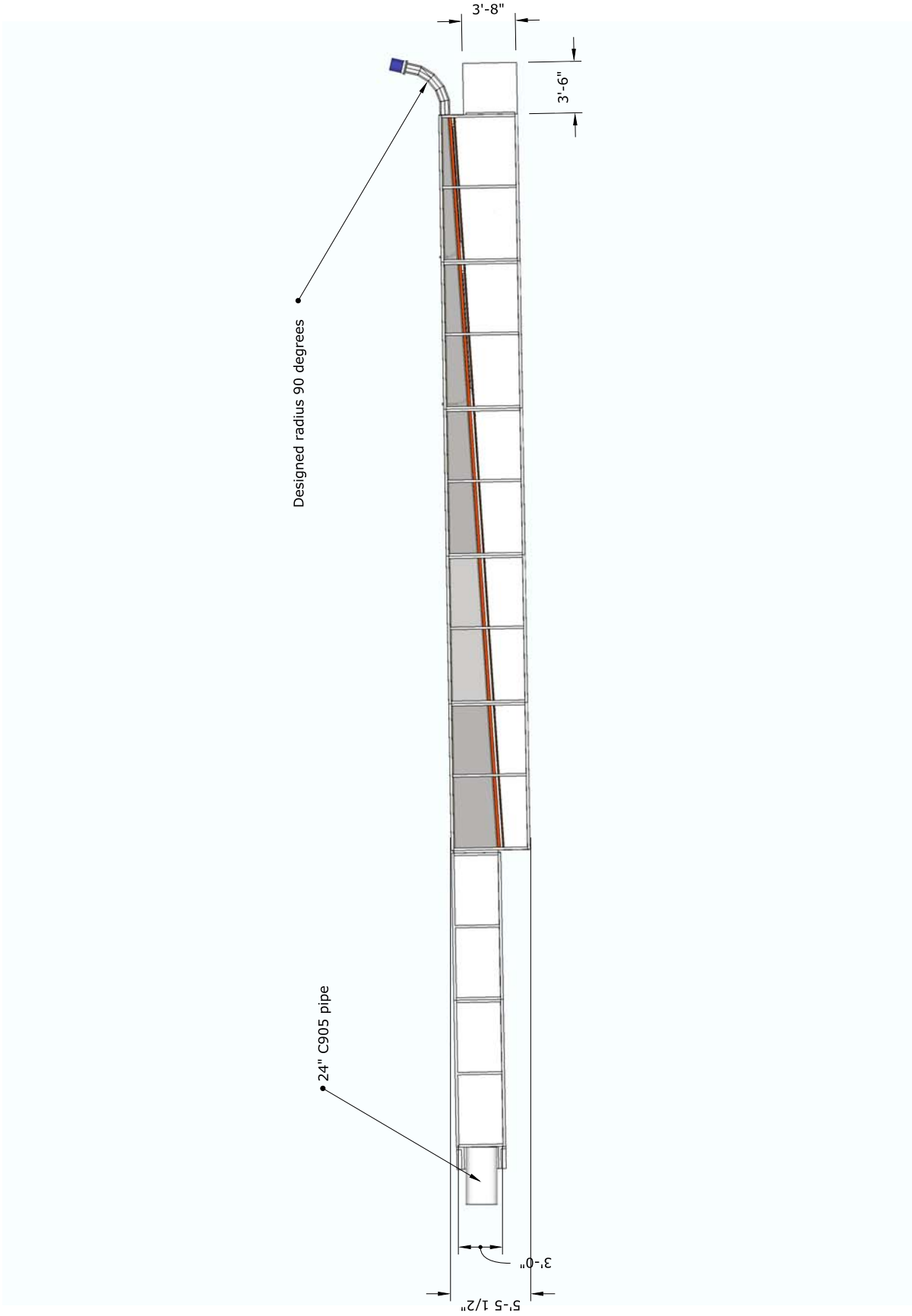
The original solicitation for the project noted above is amended as noted.

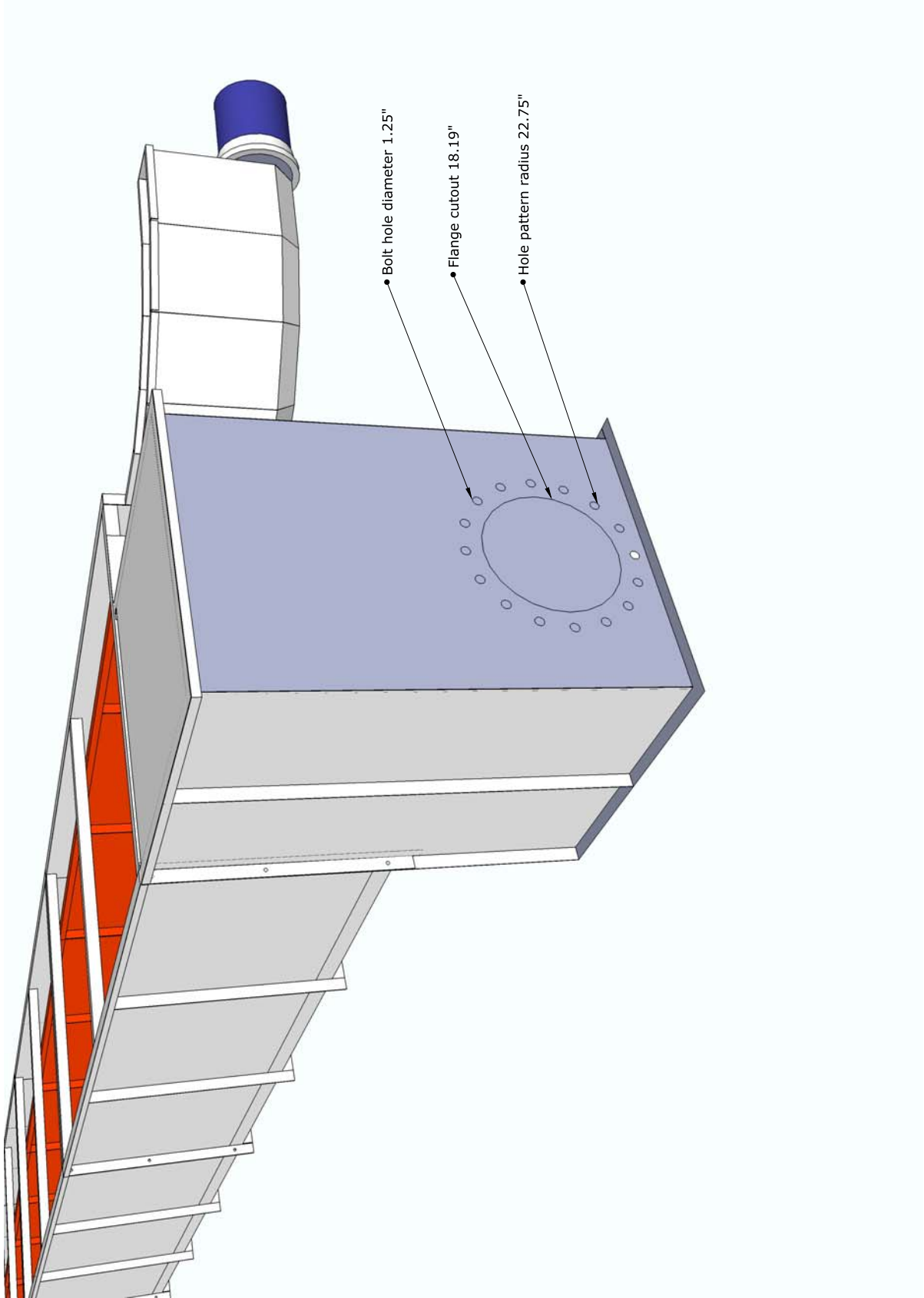
All other conditions of subject remain the same.

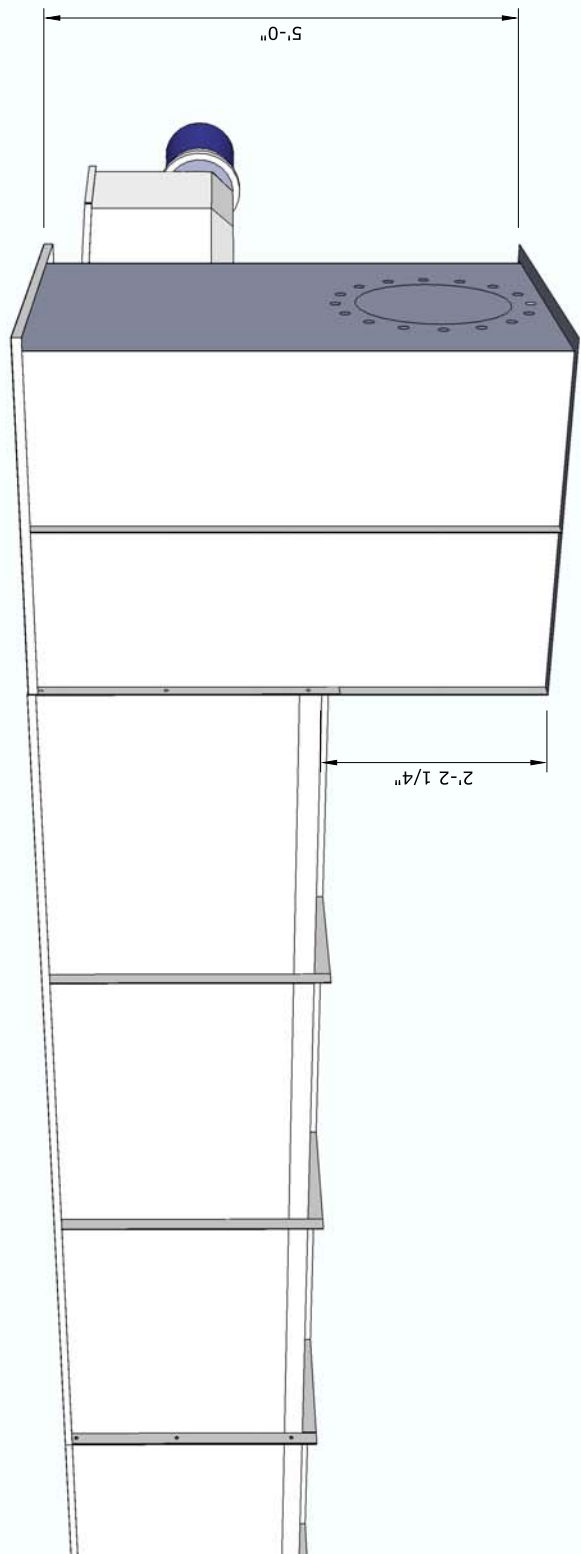
Respectfully,

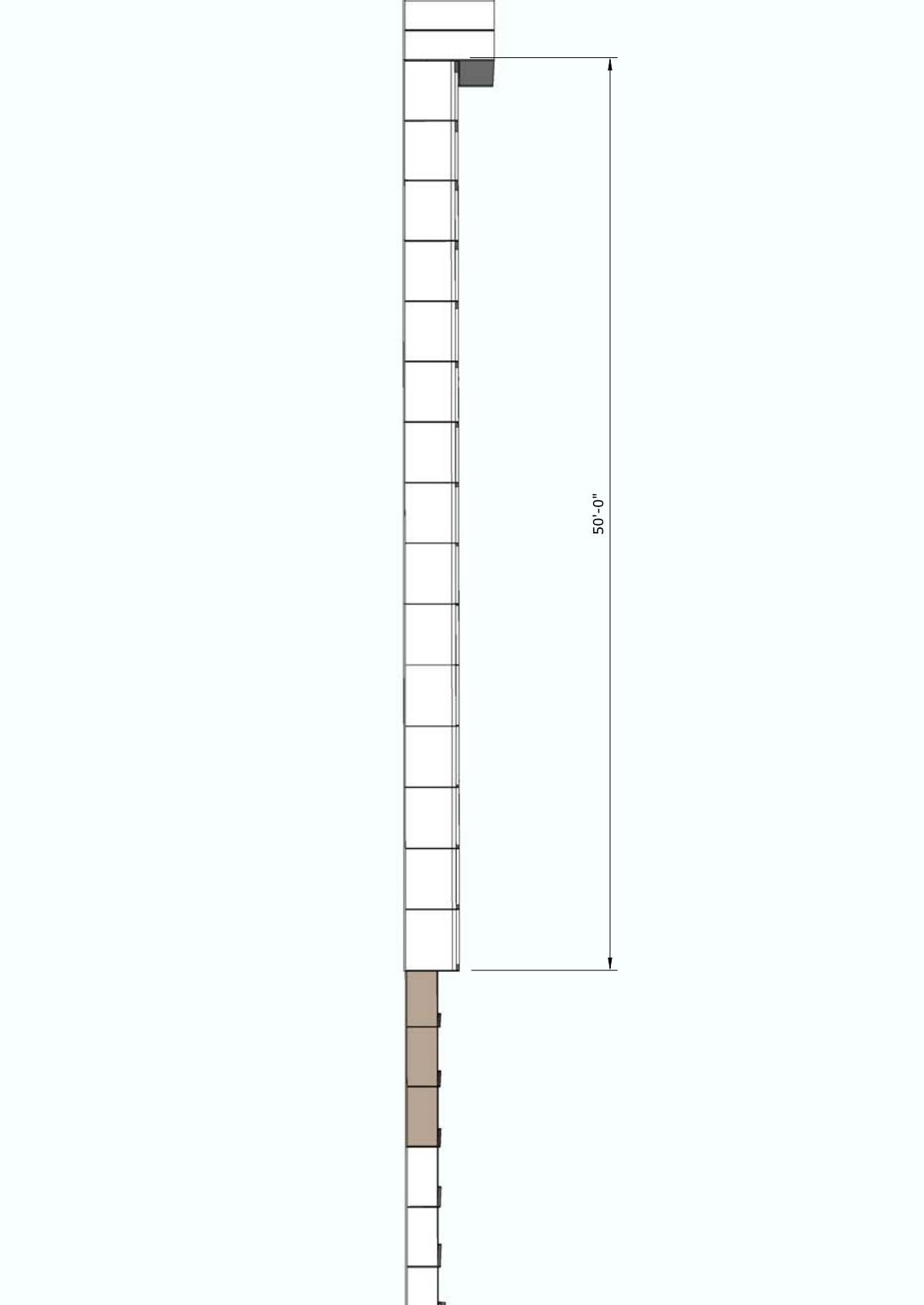
A handwritten signature in black ink, appearing to read "Duane Hoff Jr.", written over a horizontal line.

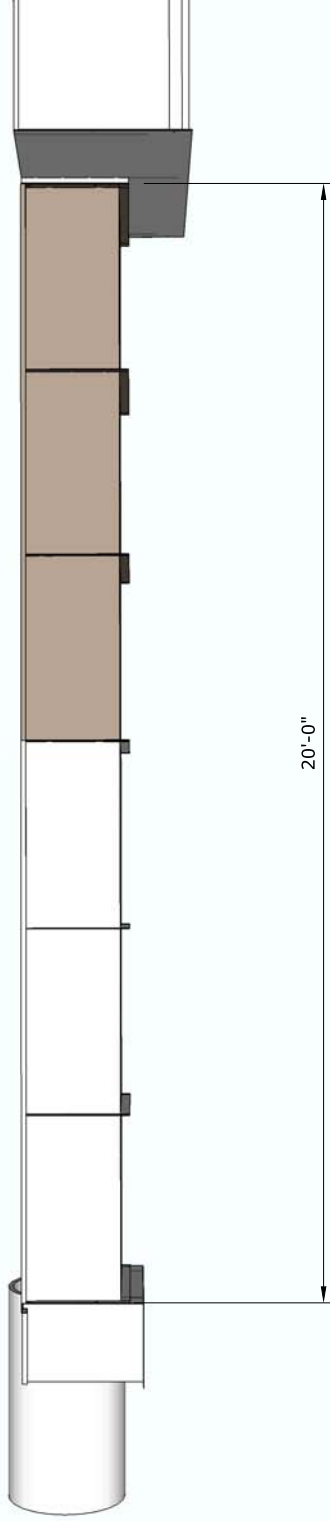
Duane Hoff Jr., Senior Buyer  
City of Grand Junction, Colorado

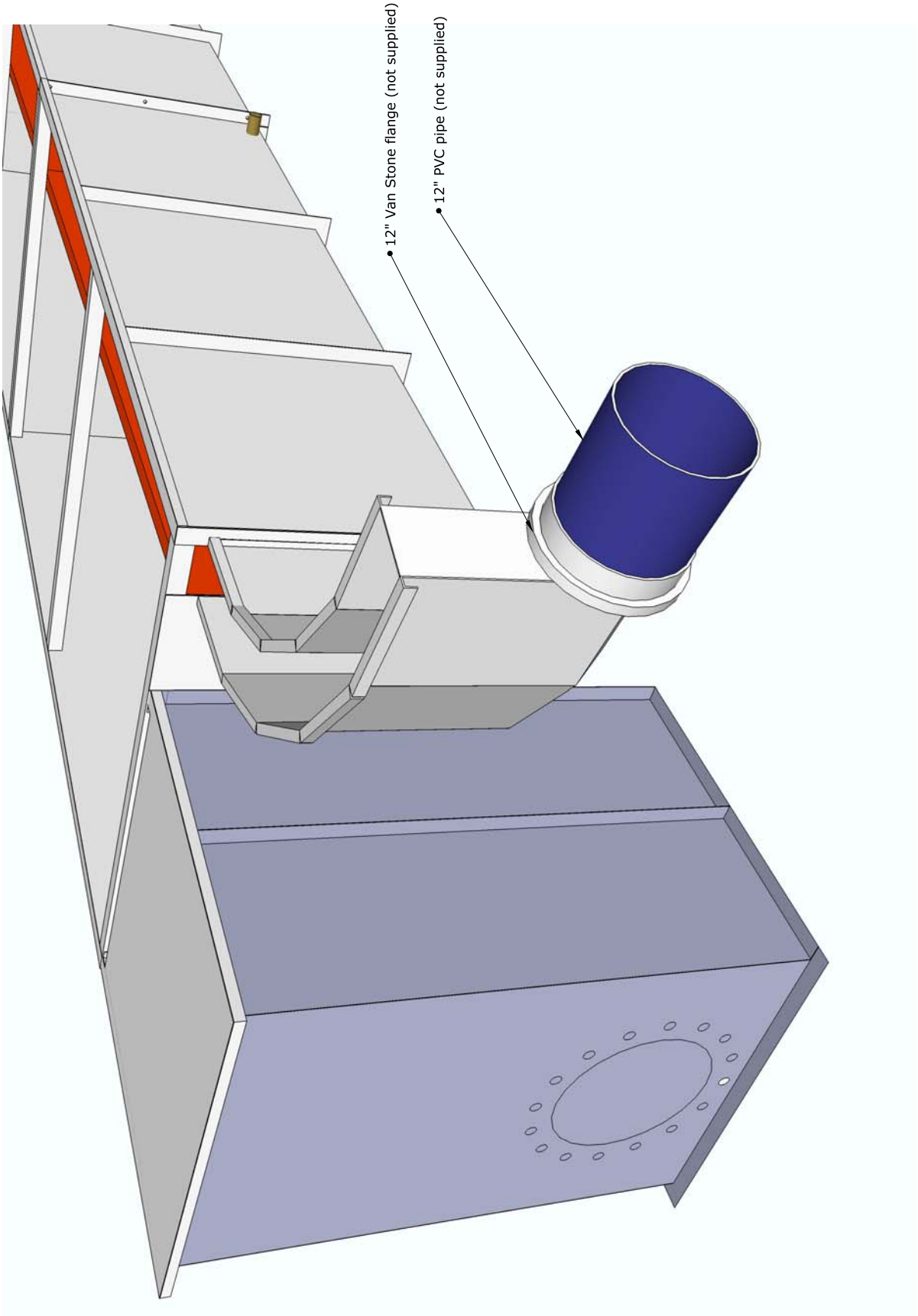


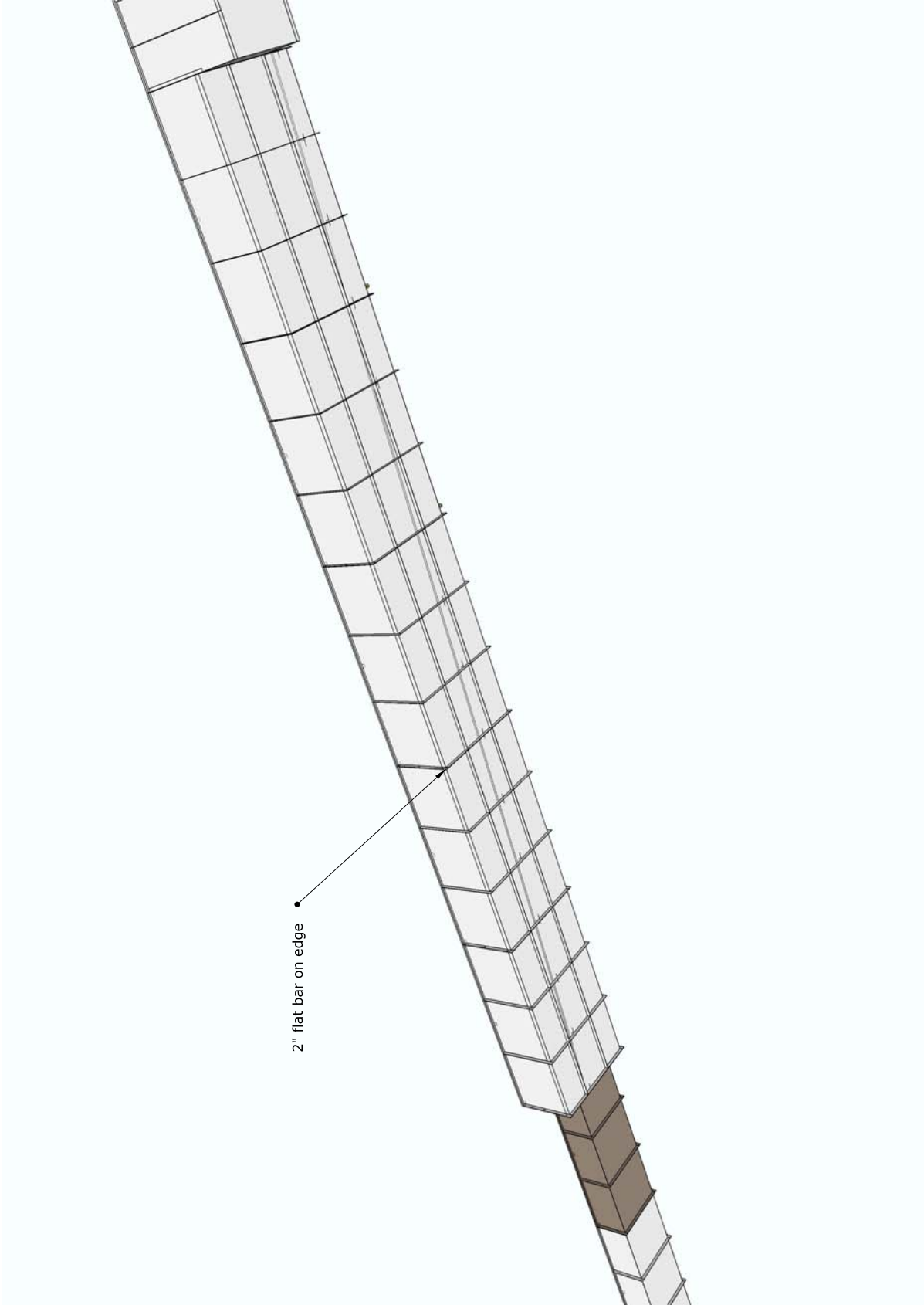






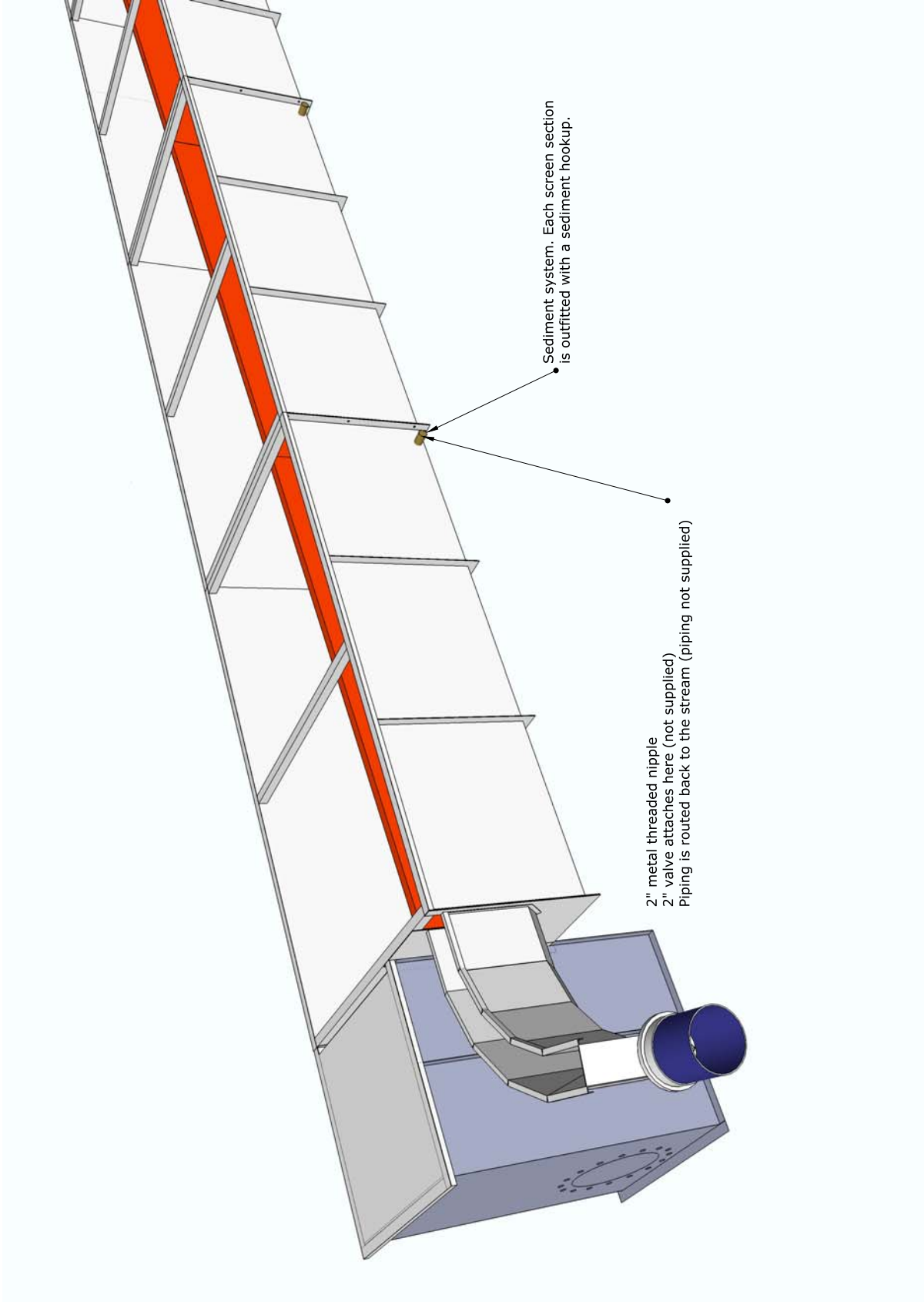


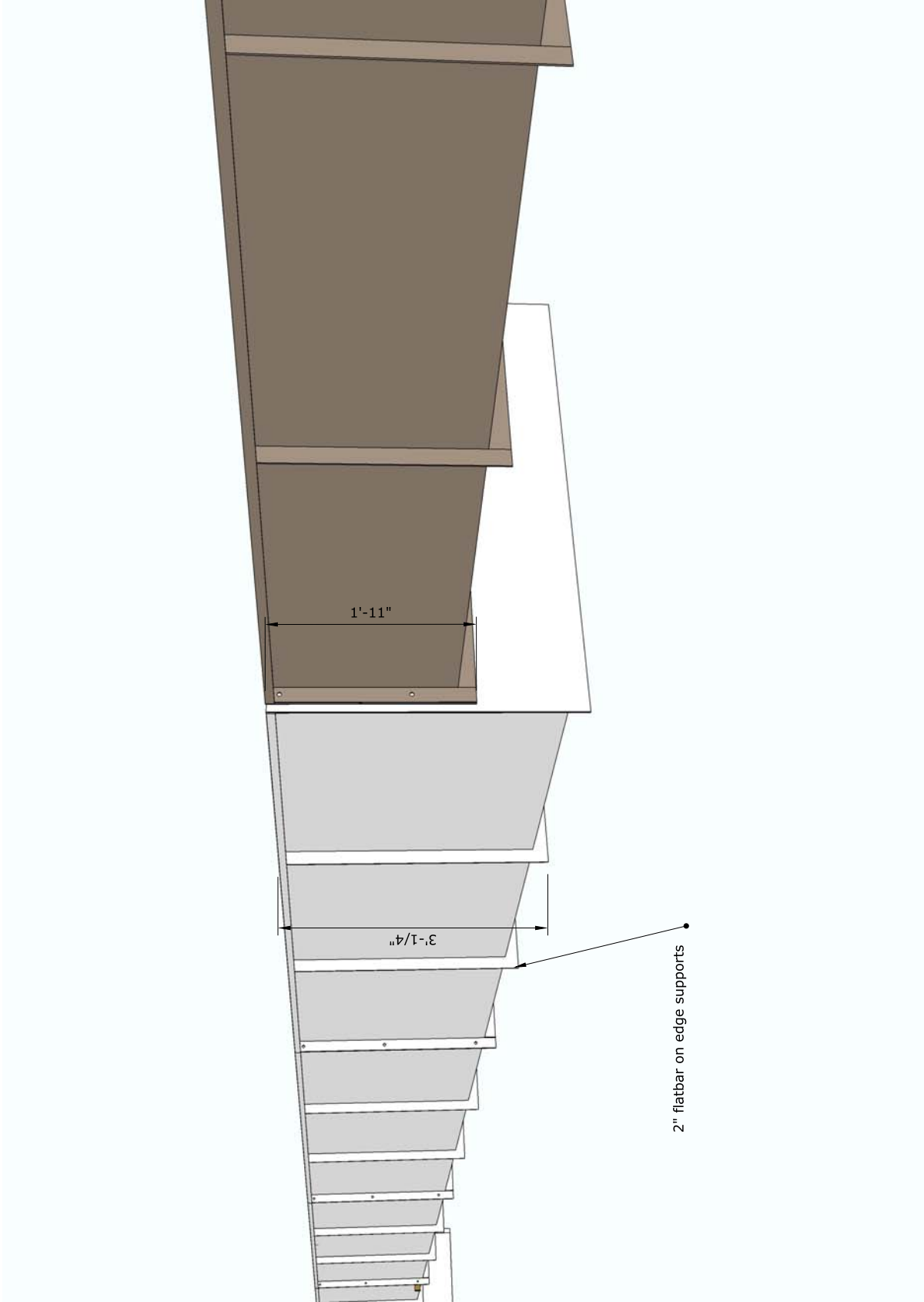


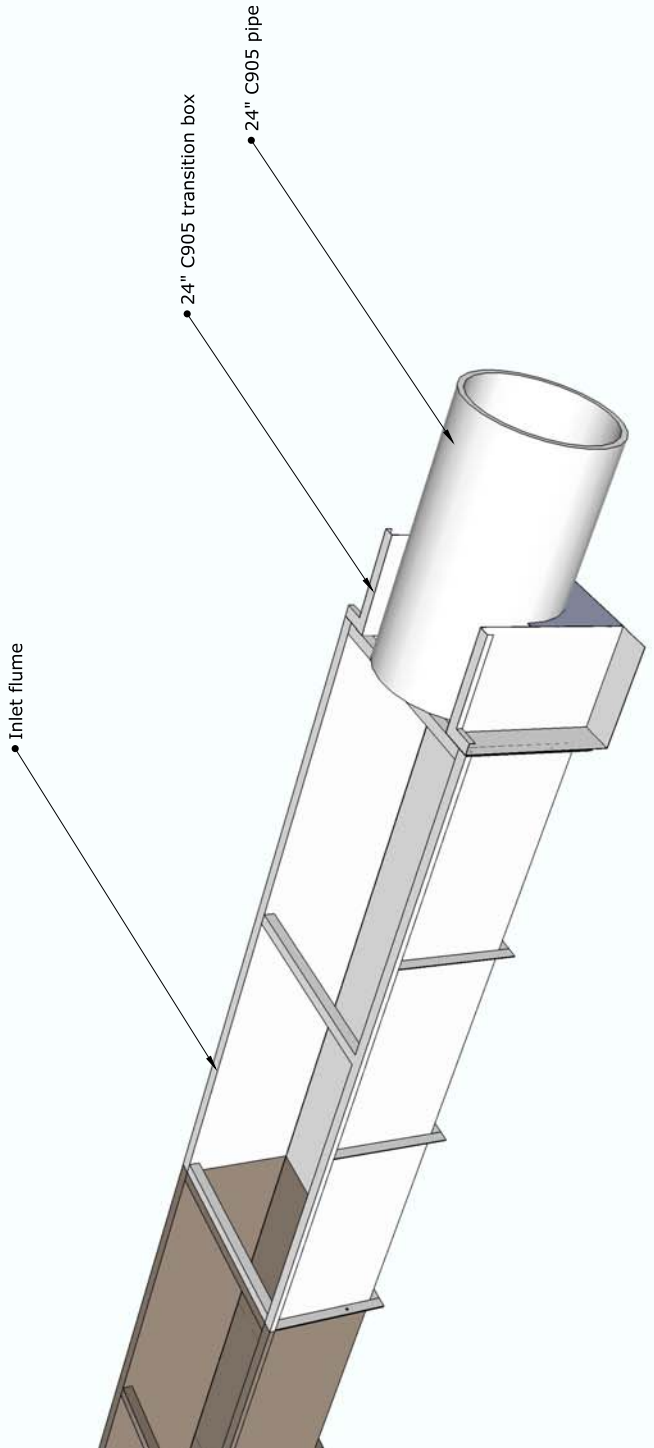


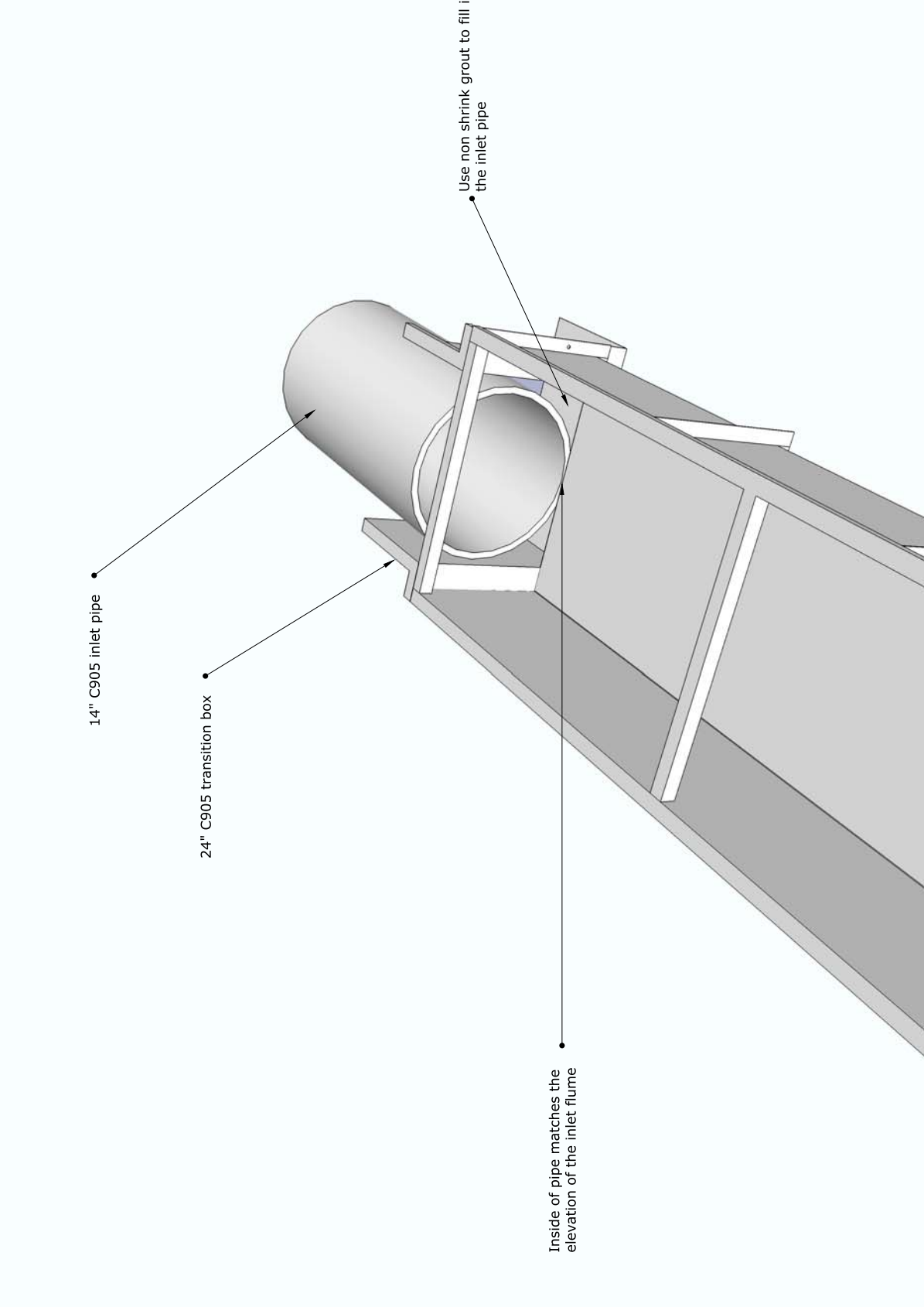
2" flat bar on edge











14" C905 inlet pipe

24" C905 transition box

Use non shrink grout to fill in around the inlet pipe

Inside of pipe matches the elevation of the inlet flume