



# SIGN PERMIT

2

Community Development Department  
250 North 5th Street  
Grand Junction, CO 81501  
(970) 244-1430

Permit No. None  
Date Submitted 7/23/03  
FEE \$ 25.00  
Tax Schedule 2945-054-00-064  
Zone I-1

BUSINESS NAME Bonner Supply  
STREET ADDRESS 2365 River Road  
PROPERTY OWNER Bonnors  
OWNER ADDRESS \_\_\_\_\_

CONTRACTOR Bud's Signs  
LICENSE NO. 2030106  
ADDRESS 1055 ute  
TELEPHONE NO. 245-7700

- 1. FLUSH WALL 2 Square Feet per Linear Foot of Building Facade
- Face Change Only (2,3 & 4):
- 2. ROOF 2 Square Feet per Linear Foot of Building Facade
- 3. FREE-STANDING 2 Traffic Lanes - 0.75 Square Feet x Street Frontage  
4 or more Traffic Lanes - 1.5 Square Feet x Street Frontage
- 4. PROJECTING 0.5 Square Feet per each Linear Foot of Building Facade

Existing Externally or Internally Illuminated - No Change in Electrical Service  Non-Illuminated

(1 - 4) Area of Proposed Sign 66.8 Square Feet  
(1,2,4) Building Facade 195 Linear Feet  
(1 - 4) Street Frontage 375 Linear Feet  
(2,3,4) Height to Top of Sign 20 Feet Clearance to Grade 15 Feet

Existing Signage/Type:	
Free-standing	50 Sq. Ft.
Flush Wall	124.5 Sq. Ft.
	Sq. Ft.
Total Existing:	174.5 Sq. Ft.

● FOR OFFICE USE ONLY ●	
Signage Allowed on Parcel: <u>River Rd</u>	
Building	390 Sq. Ft.
Free-Standing	281.25 Sq. Ft.
Total Allowed:	390 Sq. Ft.

### COMMENTS:

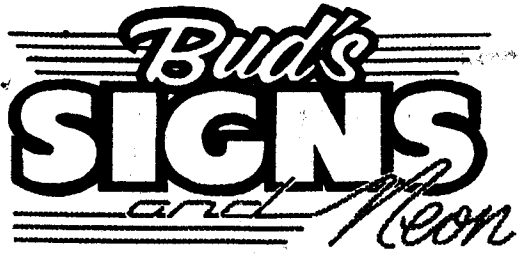
NOTE: No sign may exceed 300 square feet. A separate sign permit is required for each sign. Attach a sketch of proposed and existing signage including types, dimensions, lettering, abutting streets, alleys, easements, property lines, and locations. Roof signs shall be manufactured such that no guy wires, braces or supports shall be visible.

Eric Bennett 7-23-03 C. Tays Johnson 7/24/03  
Applicant's Signature Date Community Development Approval Date

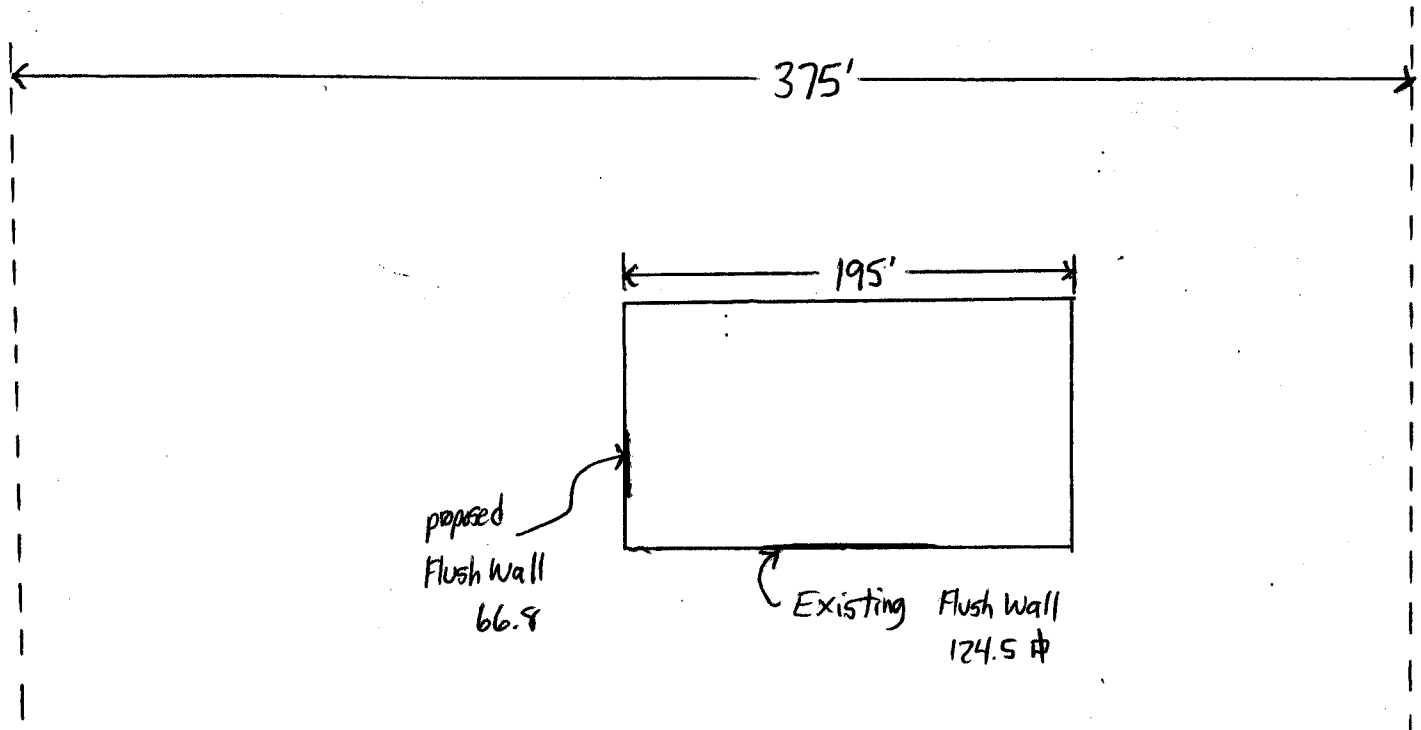
(White: Community Development)

(Canary: Applicant)

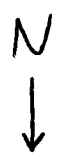
(Pink: Code Enforcement)



We Do Signs RIGHT!



River Road



24'-5"

19'-4"

18"

**BONNER SUPPLY** - 29¢

12"

**STEEL • PIPE • PIPE FITTINGS** - 24.4¢

12"

**SERVICE CENTER** - 13.4

13'-5"

66.8¢