



SIGN CLEARANCE

Community Development Department
250 North 5th Street
Grand Junction CO 81501
(970) 244-1430

(A)

Clearance No.	_____
Date Submitted	<u>2-17-05</u>
Fee \$	<u>25.00</u>
Zone	<u>PD</u>

TAX SCHEDULE	<u>2945-111-32-001</u>	CONTRACTOR	<u>BUD'S SIGNS</u>
BUSINESS NAME	<u>ST. MARY'S HOSPITAL</u>	LICENSE NO.	<u>2050128</u>
STREET ADDRESS	<u>425 PATTERSON</u>	ADDRESS	<u>1055 UTE</u>
PROPERTY OWNER	<u>SAME</u>	TELEPHONE NO.	<u>245-7700</u>
OWNER ADDRESS	_____	CONTACT PERSON	<u>BUD</u>

- | | | |
|-------------------------------------|------------------|---|
| <input checked="" type="checkbox"/> | 1. FLUSH WALL | 2 Square Feet per Linear Foot of Building Facade |
| <input type="checkbox"/> | 2. ROOF | 2 Square Feet per Linear Foot of Building Facade |
| <input type="checkbox"/> | 3. FREE-STANDING | 2 Traffic Lanes - 0.75 Square Feet x Street Frontage
4 or more Traffic Lanes - 1.5 Square Feet x Street Frontage |
| <input type="checkbox"/> | 4. PROJECTING | 0.5 Square Feet per each Linear Foot of Building Facade |
| <input type="checkbox"/> | 5. OFF-PREMISE | See #3 Spacing Requirements; Not > 300 Square Feet or < 15 Square Feet |

Externally Illuminated Internally Illuminated Non-Illuminated

(1 - 5) Area of Proposed Sign: 31.5 Square Feet
 (1,2,4) Building Façade: _____ Linear Feet
 (1 - 4) Street Frontage: _____ Linear Feet
 (2 - 5) Height to Top of Sign: _____ Feet Clearance to Grade: _____ Feet
 (5) Distance from all Existing Off-Premise Signs within 600 Feet: _____ Feet

EXISTING SIGNAGE/TYPE:	
_____	_____ Sq. Ft.
_____	_____ Sq. Ft.
_____	_____ Sq. Ft.
Total Existing:	_____ Sq. Ft.

● FOR OFFICE USE ONLY ●	
Signage Allowed on Parcel:	
Building	_____ Sq. Ft.
Free-Standing	_____ Sq. Ft.
Total Allowed:	_____ Sq. Ft.

COMMENTS: G-21 NORTH SIDE (GRAND VANEY SURGICAL)

NOTE: No sign may exceed 300 square feet. A separate sign clearance is required for each sign. Attach a sketch, to scale, of proposed and existing signage including types, dimensions and lettering. Attach a plot plan, to scale, showing: abutting streets, alleys, easements, driveways, encroachments, property lines, distances from existing buildings to proposed signs and required setbacks. A SEPARATE PERMIT FROM THE BUILDING DEPARTMENT IS ALSO REQUIRED.

I hereby attest that the information on this form and the attached sketches are true and accurate.

[Signature] 2/17/05 Lisa C. Cox 3/11/2005
 Applicant's Signature Date Community Development Approval Date

(White: Community Development) (Canary: Applicant) (Pink: Building Dept) (Goldenrod: Code Enforcement)



SIGN CLEARANCE

Community Development Department
250 North 5th Street
Grand Junction CO 81501
(970) 244-1430

(B)

Clearance No.	_____
Date Submitted	<u>2-17-05</u>
Fee \$	<u>5.00</u>
Zone	<u>PD</u>

TAX SCHEDULE	<u>2045-111-32-001</u>	CONTRACTOR	<u>Buo's Signs</u>
BUSINESS NAME	<u>ST. MARYS</u>	LICENSE NO.	<u>2050128</u>
STREET ADDRESS	<u>425 PATTERSON</u>	ADDRESS	<u>1055 UTE</u>
PROPERTY OWNER	<u>SAME</u>	TELEPHONE NO.	<u>245-7700</u>
OWNER ADDRESS	_____	CONTACT PERSON	<u>Buo PREUSS</u>

- | | | |
|-------------------------------------|------------------|---|
| <input checked="" type="checkbox"/> | 1. FLUSH WALL | 2 Square Feet per Linear Foot of Building Façade |
| <input type="checkbox"/> | 2. ROOF | 2 Square Feet per Linear Foot of Building Façade |
| <input type="checkbox"/> | 3. FREE-STANDING | 2 Traffic Lanes - 0.75 Square Feet x Street Frontage
4 or more Traffic Lanes - 1.5 Square Feet x Street Frontage |
| <input type="checkbox"/> | 4. PROJECTING | 0.5 Square Feet per each Linear Foot of Building Façade |
| <input type="checkbox"/> | 5. OFF-PREMISE | See #3 Spacing Requirements; Not > 300 Square Feet or < 15 Square Feet |

Externally Illuminated Internally Illuminated Non-Illuminated

(1 - 5) Area of Proposed Sign: 31.5 Square Feet

(1,2,4) Building Façade: _____ Linear Feet

(1 - 4) Street Frontage: _____ Linear Feet

(2 - 5) Height to Top of Sign: _____ Feet Clearance to Grade: _____ Feet

(5) Distance from all Existing Off-Premise Signs within 600 Feet: _____ Feet

EXISTING SIGNAGE/TYPE:	
_____	_____ Sq. Ft.
_____	_____ Sq. Ft.
_____	_____ Sq. Ft.
Total Existing:	_____ Sq. Ft.

● FOR OFFICE USE ONLY ●	
Signage Allowed on Parcel:	
Building	_____ Sq. Ft.
Free-Standing	_____ Sq. Ft.
Total Allowed:	_____ Sq. Ft.

COMMENTS: G-21 EAST SIDE (GRAND VALLEY SURGICAL)

NOTE: No sign may exceed 300 square feet. A separate sign clearance is required for each sign. Attach a sketch, to scale, of proposed and existing signage including types, dimensions and lettering. Attach a plot plan, to scale, showing: abutting streets, alleys, easements, driveways, encroachments, property lines, distances from existing buildings to proposed signs and required setbacks. A SEPARATE PERMIT FROM THE BUILDING DEPARTMENT IS ALSO REQUIRED.

I hereby attest that the information on this form and the attached sketches are true and accurate.

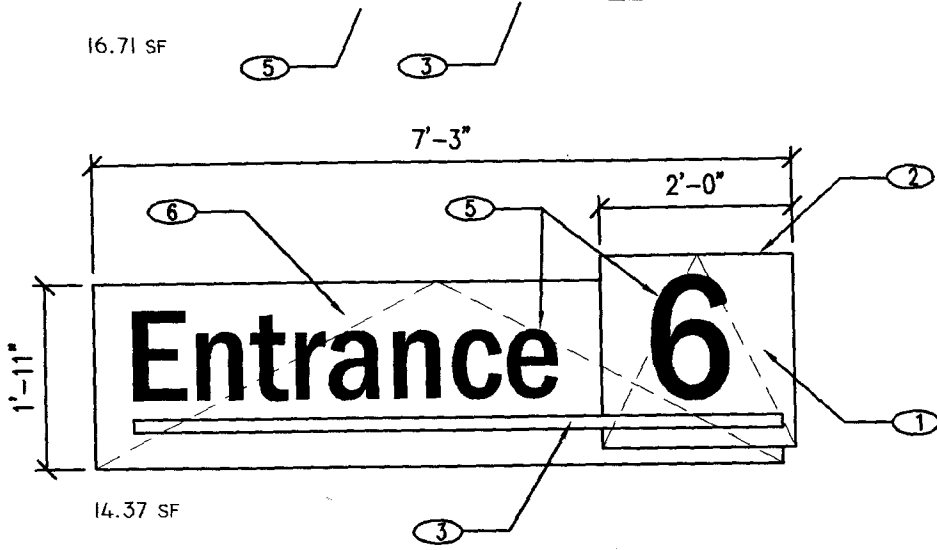
[Signature] 2/17/05 Lisa C. Cox 3/1/2005

Applicant's Signature Date Community Development Approval Date

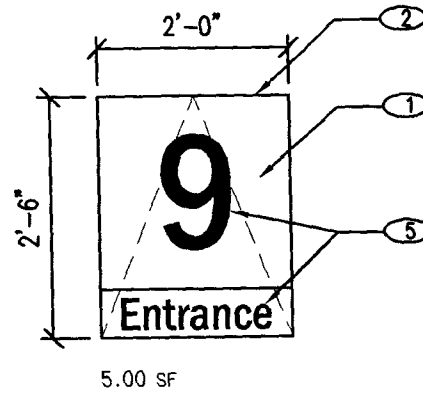
(White: Community Development) (Canary: Applicant) (Pink: Building Dept) (Goldenrod: Code Enforcement)

16.71 SF

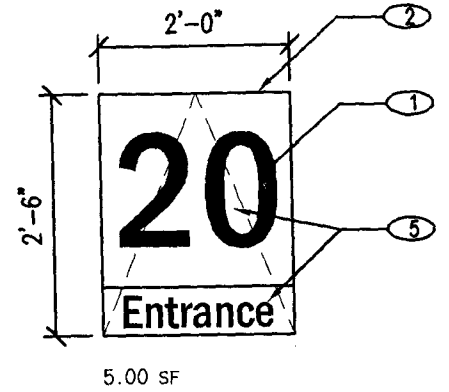
14.37 SF



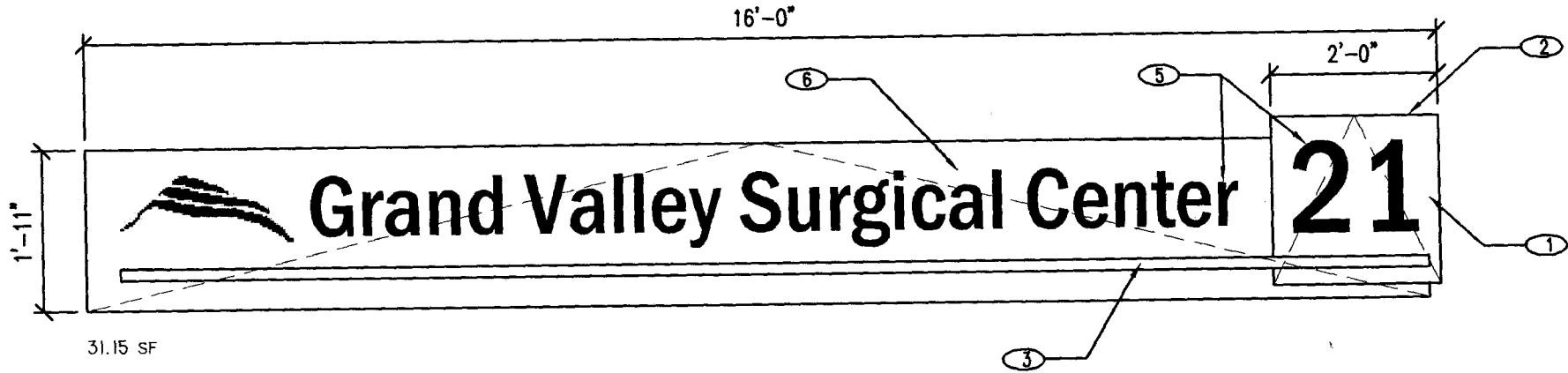
14.37 SF



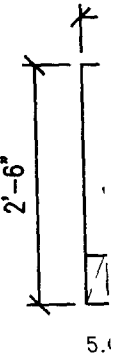
5.00 SF



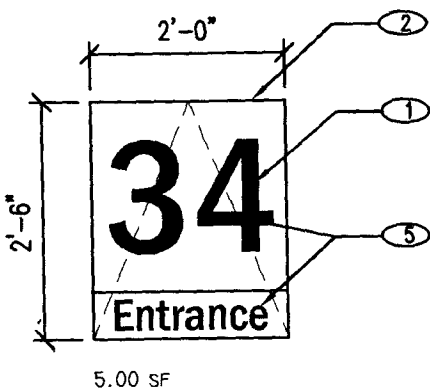
5.00 SF



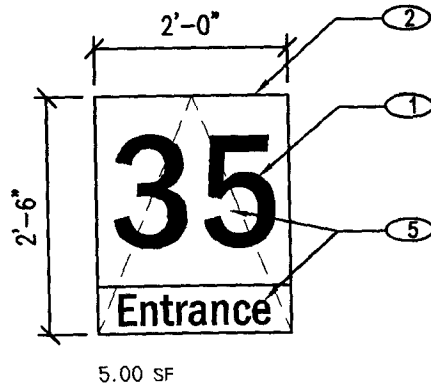
31.15 SF



5.0



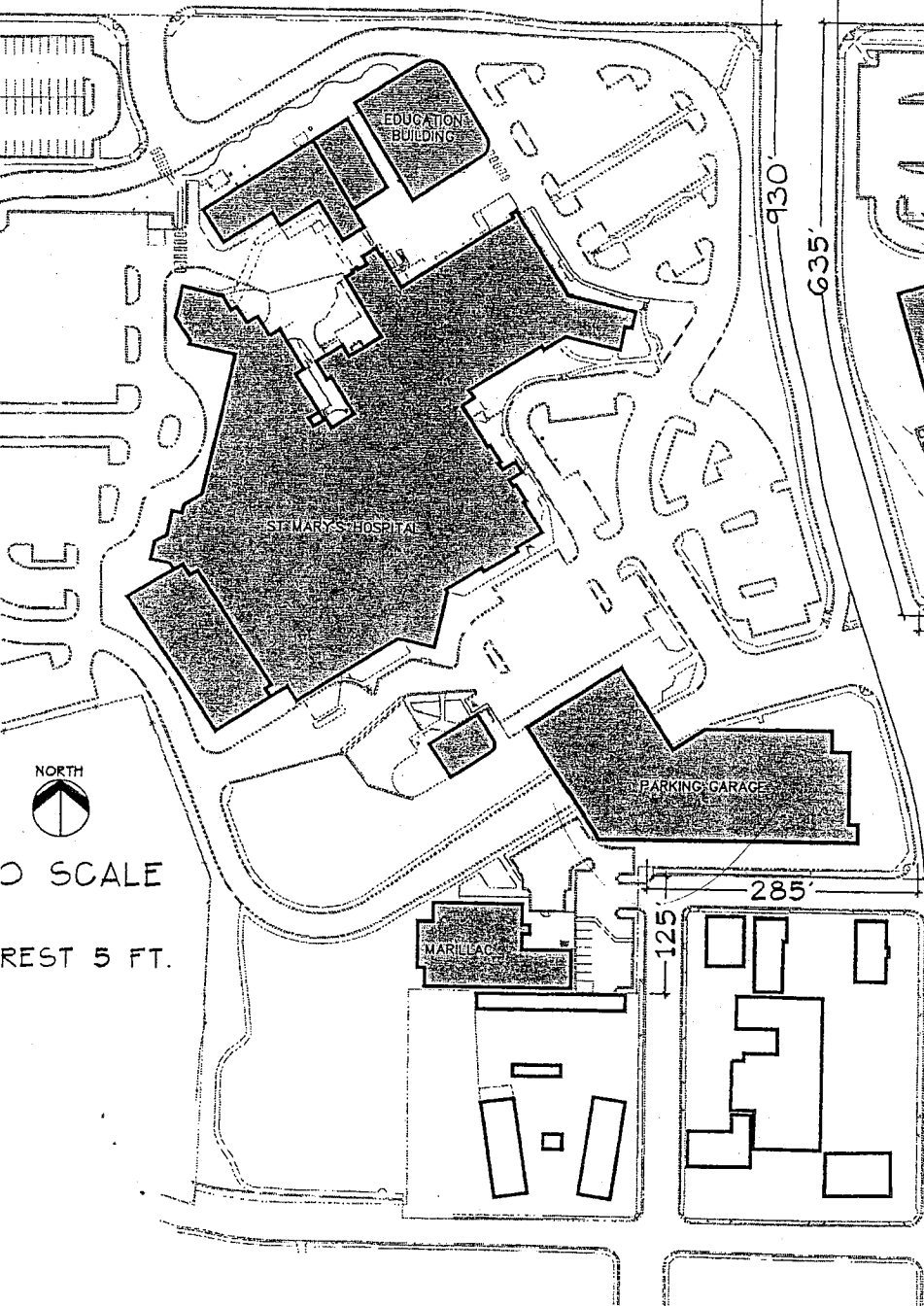
5.00 SF



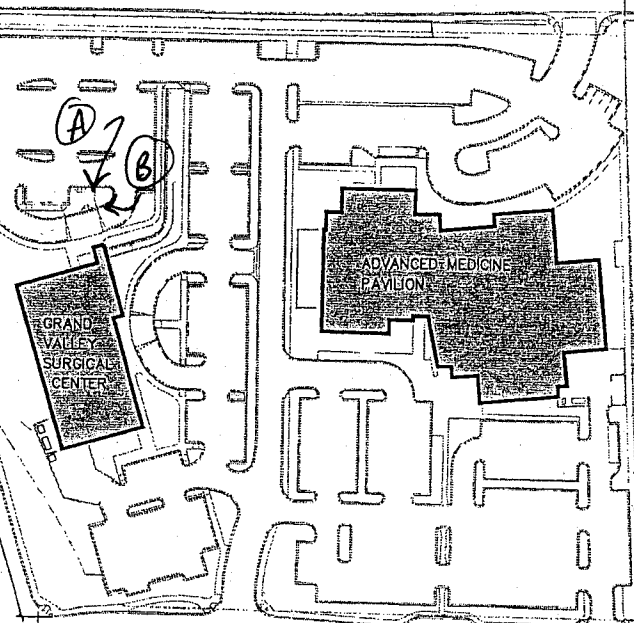
5.00 SF

895'

690'

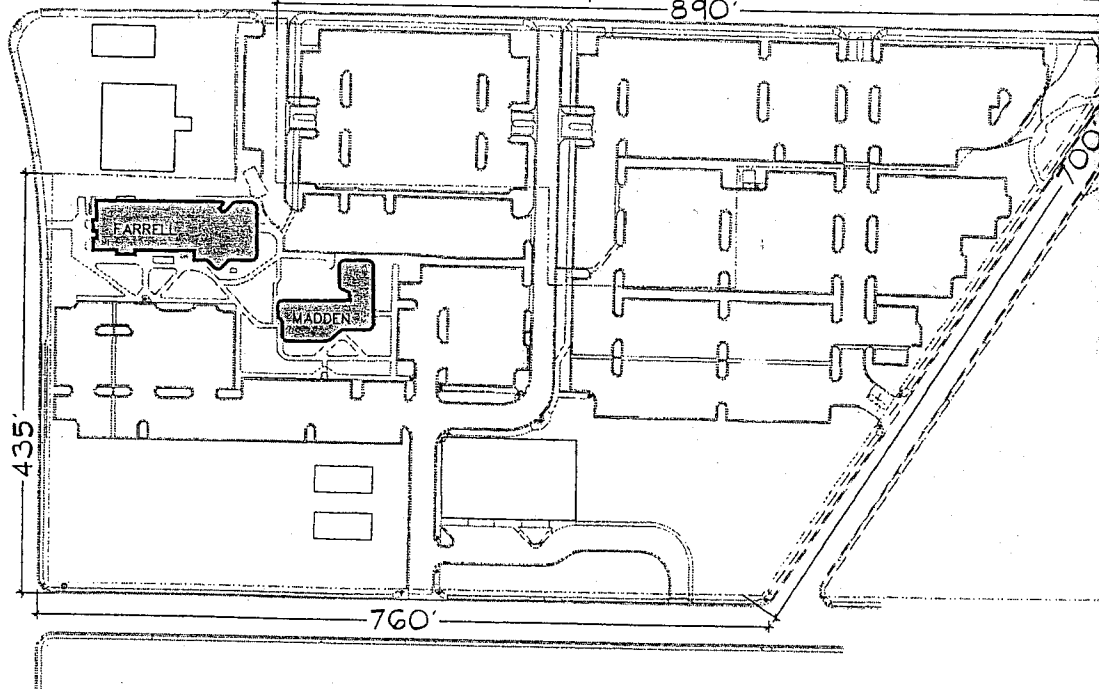


635'



635'

890'



NORTH



SCALE

REST 5 FT.