

FEE \$	10.00
TCP \$	-
SIF \$	292.00

**PLANNING CLEARANCE**  
 (Single Family Residential and Accessory Structures)  
**Community Development Department**

BLDG PERMIT NO. 74726



Your Bridge to a Better Community

BLDG ADDRESS 655 A LARWOOD CT SQ. FT. OF PROPOSED BLDGS/ADDITION 1027

TAX SCHEDULE NO. 7445-032-00-130 SQ. FT. OF EXISTING BLDGS 2

SUBDIVISION Westwood Retreat TOTAL SQ. FT. OF EXISTING & PROPOSED 1027

FILING 2 BLK 1 LOT 7A

(1) OWNER Lee Homes NO. OF DWELLING UNITS:  
 Before: 2 After: 1 this Construction

(1) ADDRESS 7755 N. AVE NO. OF BUILDINGS ON PARCEL  
 Before: 2 After: 1 this Construction

(1) TELEPHONE 248-4612 USE OF EXISTING BUILDINGS 2

(2) APPLICANT Lee Homes DESCRIPTION OF WORK & INTENDED USE New Residence

(2) ADDRESS 7755 N. AVE TYPE OF HOME PROPOSED:  
 Site Built  Manufactured Home (UBC)  
 Manufactured Home (HUD)  
 Other (please specify) \_\_\_\_\_

(2) TELEPHONE 248-4612

**REQUIRED: One plot plan, on 8 1/2" x 11" paper, showing all existing & proposed structure location(s), parking, setbacks to all property lines, ingress/egress to the property, driveway location & width & all easements & rights-of-way which abut the parcel.**

**THIS SECTION TO BE COMPLETED BY COMMUNITY DEVELOPMENT DEPARTMENT STAFF**

ZONE PR 4.3 Maximum coverage of lot by structures \_\_\_\_\_

SETBACKS: Front 20' from property line (PL) Permanent Foundation Required: YES  NO \_\_\_\_\_  
 or \_\_\_\_\_ from center of ROW, whichever is greater

Side 7' from PL, Rear 25' from PL Parking Req'mt 2

Maximum Height 32' Special Conditions \_\_\_\_\_

CENSUS 10 TRAFFIC 19 ANN# \_\_\_\_\_

Modifications to this Planning Clearance must be approved, in writing, by the Community Development Department. The structure authorized by this application cannot be occupied until a final inspection has been completed and a Certificate of Occupancy has been issued, if applicable, by the Building Department (Section 305, Uniform Building Code).

I hereby acknowledge that I have read this application and the information is correct; I agree to comply with any and all codes, ordinances, laws, regulations or restrictions which apply to the project. I understand that failure to comply shall result in legal action, which may include but not necessarily be limited to non-use of the building(s).

Applicant Signature [Signature] Date 11 APR 00

Department Approval [Signature] Date 4/11/00

Additional water and/or sewer tap fee(s) are required:	YES <input checked="" type="checkbox"/>	NO	W/O No. <u>13007</u>
Utility Accounting <u>Kathie</u>		Date <u>4/12/00</u>	

VALID FOR SIX MONTHS FROM DATE OF ISSUANCE (Section 9-3-2C Grand Junction Zoning & Development Code)

(White: Planning) (Yellow: Customer) (Pink: Building Department) (Goldenrod: Utility Accounting)

FEE \$	—
TCP \$	—
SIF \$	292.00

**PLANNING CLEARANCE**  
 (Single Family Residential and Accessory Structures)  
**Community Development Department**

BLDG PERMIT NO. 74720



Your Bridge to a Better Community

BLDG ADDRESS 655 B LARCOO CT SQ. FT. OF PROPOSED BLDGS/ADDITION 1027

TAX SCHEDULE NO. 7945-03200-130 SQ. FT. OF EXISTING BLDGS 2

SUBDIVISION WESTWOOD COUNCIL TOTAL SQ. FT. OF EXISTING & PROPOSED 1027

FILING 2 BLK 1 LOT 713 NO. OF DWELLING UNITS:  
 Before: 2 After: 1 this Construction

(1) OWNER Lee Homes NO. OF BUILDINGS ON PARCEL  
 Before: 2 After: 1 this Construction

(1) ADDRESS 2755 N AVE USE OF EXISTING BUILDINGS 2

(1) TELEPHONE 248-4612 DESCRIPTION OF WORK & INTENDED USE new Residence

(2) APPLICANT Lee Homes TYPE OF HOME PROPOSED:  
 Site Built  Manufactured Home (UBC)  
 Manufactured Home (HUD)  
 Other (please specify) \_\_\_\_\_

(2) ADDRESS 2755 N AVE

(2) TELEPHONE 248-4612

**REQUIRED: One plot plan, on 8 1/2" x 11" paper, showing all existing & proposed structure location(s), parking, setbacks to all property lines, ingress/egress to the property, driveway location & width & all easements & rights-of-way which abut the parcel.**

**THIS SECTION TO BE COMPLETED BY COMMUNITY DEVELOPMENT DEPARTMENT STAFF**

ZONE PR4.3 Maximum coverage of lot by structures \_\_\_\_\_

SETBACKS: Front 20' from property line (PL) Permanent Foundation Required: YES X NO \_\_\_\_\_  
 or \_\_\_\_\_ from center of ROW, whichever is greater

Side 7' from PL, Rear 25' from PL Parking Req'mt 2

Maximum Height 32' Special Conditions \_\_\_\_\_

CENSUS 10 TRAFFIC 19 ANN# \_\_\_\_\_

Modifications to this Planning Clearance must be approved, in writing, by the Community Development Department. The structure authorized by this application cannot be occupied until a final inspection has been completed and a Certificate of Occupancy has been issued, if applicable, by the Building Department (Section 305, Uniform Building Code).

I hereby acknowledge that I have read this application and the information is correct; I agree to comply with any and all codes, ordinances, laws, regulations or restrictions which apply to the project. I understand that failure to comply shall result in legal action, which may include but not necessarily be limited to non-use of the building(s).

Applicant Signature [Signature] Date 11 APR 00

Department Approval [Signature] Date 4/11/00

Additional water and/or sewer tap fee(s) are required:	YES <input checked="" type="checkbox"/>	NO <input type="checkbox"/>	W/O No. <u>13008</u>
Utility Accounting	<u>Kate Hart</u>	Date	<u>4/12/00</u>

VALID FOR SIX MONTHS FROM DATE OF ISSUANCE (Section 9-3-2C Grand Junction Zoning & Development Code)

(White: Planning) (Yellow: Customer) (Pink: Building Department) (Goldenrod: Utility Accounting)

WESTWOOD RANCH SUBDIVISION  
FILING NO. TWO

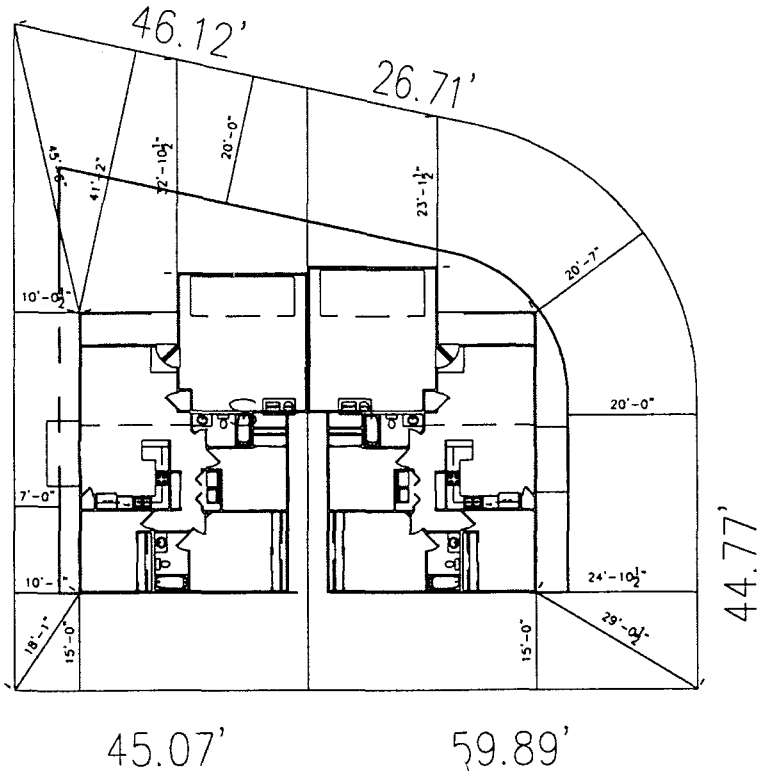
1027 SF (MODIFIED PORCH)

655 LAREDO CT 1st 000



LOT 7A

102.35'  
N00°00'32"E



LOT 7B

DRIVES OK

*Erin H.*

4/11/00

4/15/00  
4/12/00

ACCEPTED  
ANY CHANGE IN SETBACKS  
APPROVED BY THE CITY PLANNING  
DEPT. IT IS THE APPLICANT'S  
RESPONSIBILITY TO PROPERLY  
LOCATE AND IDENTIFY EASEMENTS  
AND PROPERTY LINES.