



Purchasing Division

ADDENDUM NO. 2

DATE: March 26, 2019
FROM: City of Grand Junction Purchasing Division
TO: All Offerors
RE: The Riverfront at Dos Rios Business Park Phase I IFB-4616-19-DH

Offerors responding to the above referenced solicitation are hereby instructed that the requirements have been clarified, modified, superseded and supplemented as to this date as hereinafter described.

Please make note of the following clarifications:

1. Q1. Sanitary manhole #11 should be 60" Dia. due to the 21" Dia. existing sanitary line?

A1. Sanitary manhole #11 has been updated to a 60" Dia. manhole. See the attached updated Construction Plan sheets.

2. Q2. Sanitary Manholes #10 thru #8 have NO fall thru the manholes, will you allow a precast invert in these manholes?

A2. Sanitary manhole(s) #10 thru #8 have been updated to account for fall across the manholes. See the attached updated Construction Plan sheets.

3. Q3. Storm manholes #4 & #5 on the plan view page 10 are called 48" Dia. on a 24" line, but your standards call for 60" Dia. manholes, which the bid schedule is correct.

A3. Storm manholes #4 & #5 shall both be 60" in diameter.

4. Q4. here are the shop drawings for the 2 ea. 60" Dia. storm manholes, showing that they are too shallow to work. Please advise.

A4. The finished grade rim elevation for Storm manholes #4 & #5 have been updated to account for the shallow depth. See the attached updated Construction Plan sheets.

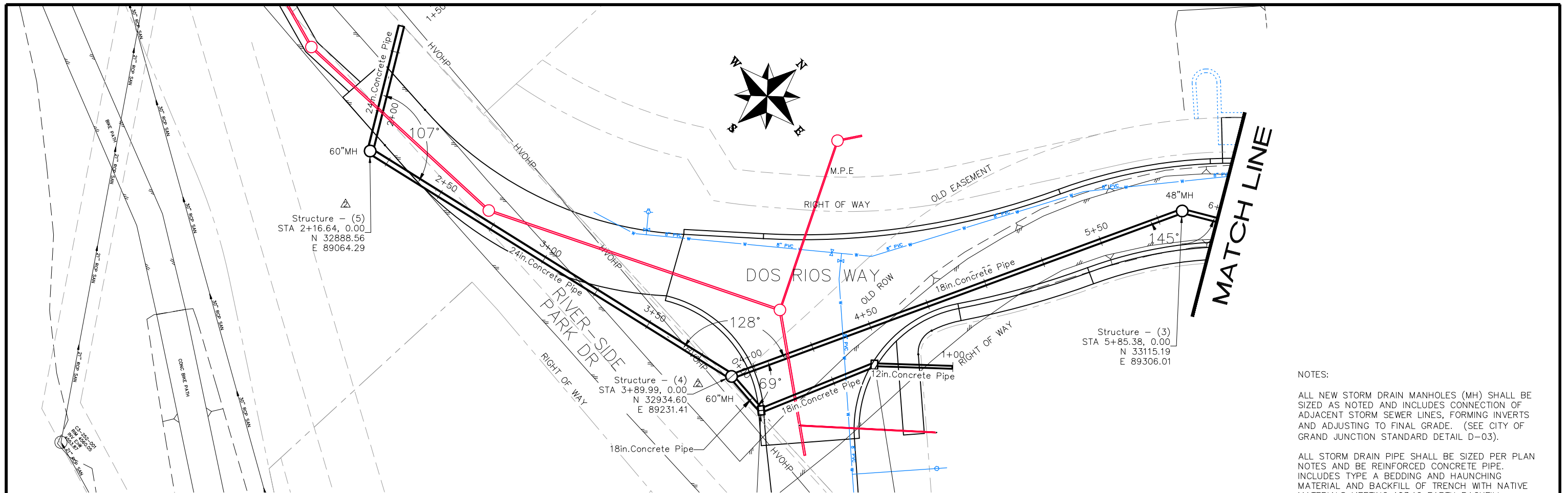
The original solicitation for the project noted above is amended as noted.

All other conditions of subject remain the same.

Respectfully,

A handwritten signature in black ink, appearing to read "Duane Hoff Jr.", is written over a white background.

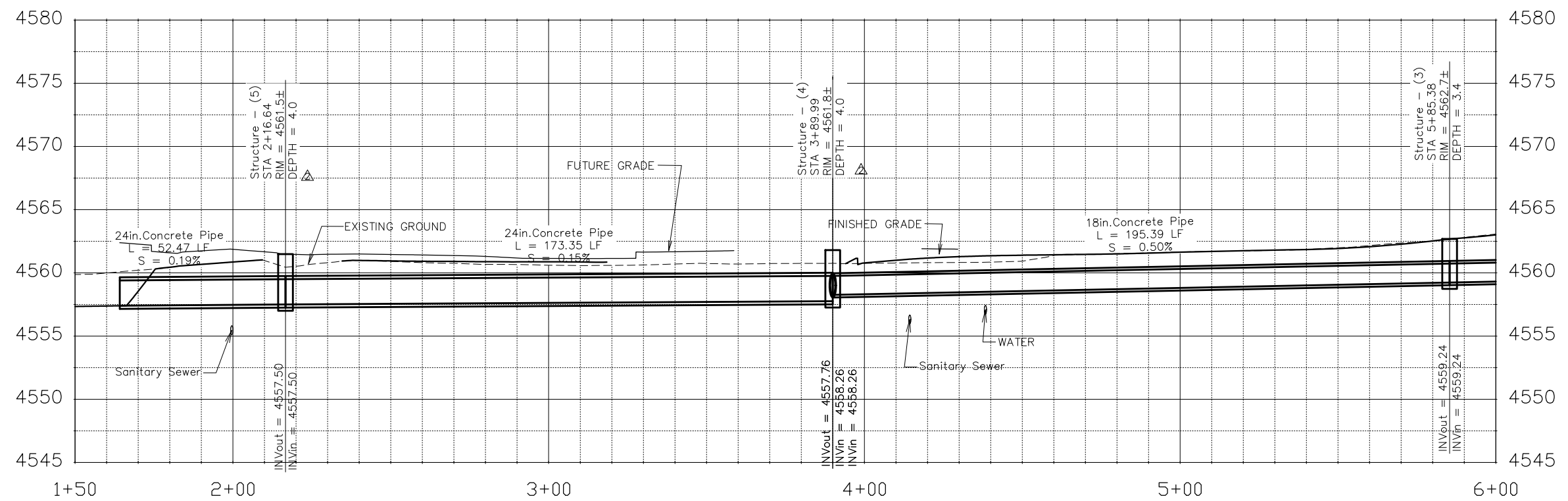
Duane Hoff Jr., Senior Buyer
City of Grand Junction, Colorado



NOTES:

ALL NEW STORM DRAIN MANHOLES (MH) SHALL BE SIZED AS NOTED AND INCLUDES CONNECTION OF ADJACENT STORM SEWER LINES, FORMING INVERTS AND ADJUSTING TO FINAL GRADE. (SEE CITY OF GRAND JUNCTION STANDARD DETAIL D-03).

ALL STORM DRAIN PIPE SHALL BE SIZED PER PLAN NOTES AND BE REINFORCED CONCRETE PIPE. INCLUDES TYPE A BEDDING AND HAUNCHING MATERIAL AND BACKFILL OF TRENCH WITH NATIVE MATERIALS MEETING 103.16 EARTH BACKFILL MATERIAL.



REVISION	DESCRIPTION	DATE
REVISION Δ	ADJUST STORM MH SIZE & DEPTH	3-25-19
REVISION Δ		
REVISION Δ		
REVISION Δ		

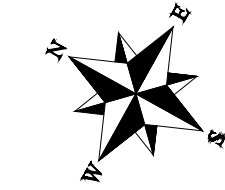
DRAWN BY	JCS	DATE	2017
DESIGNED BY	JCS	DATE	2017
CHECKED BY	TCP	DATE	2017
APPROVED BY	TCP	DATE	2017

SCALES:	
0	10 HORIZONTAL
0	2.5 VERTICAL



PUBLIC WORKS
ENGINEERING DIVISION

THE RIVERFRONT AT DOS RIOS
STORM DRAIN PLAN AND PROFILE



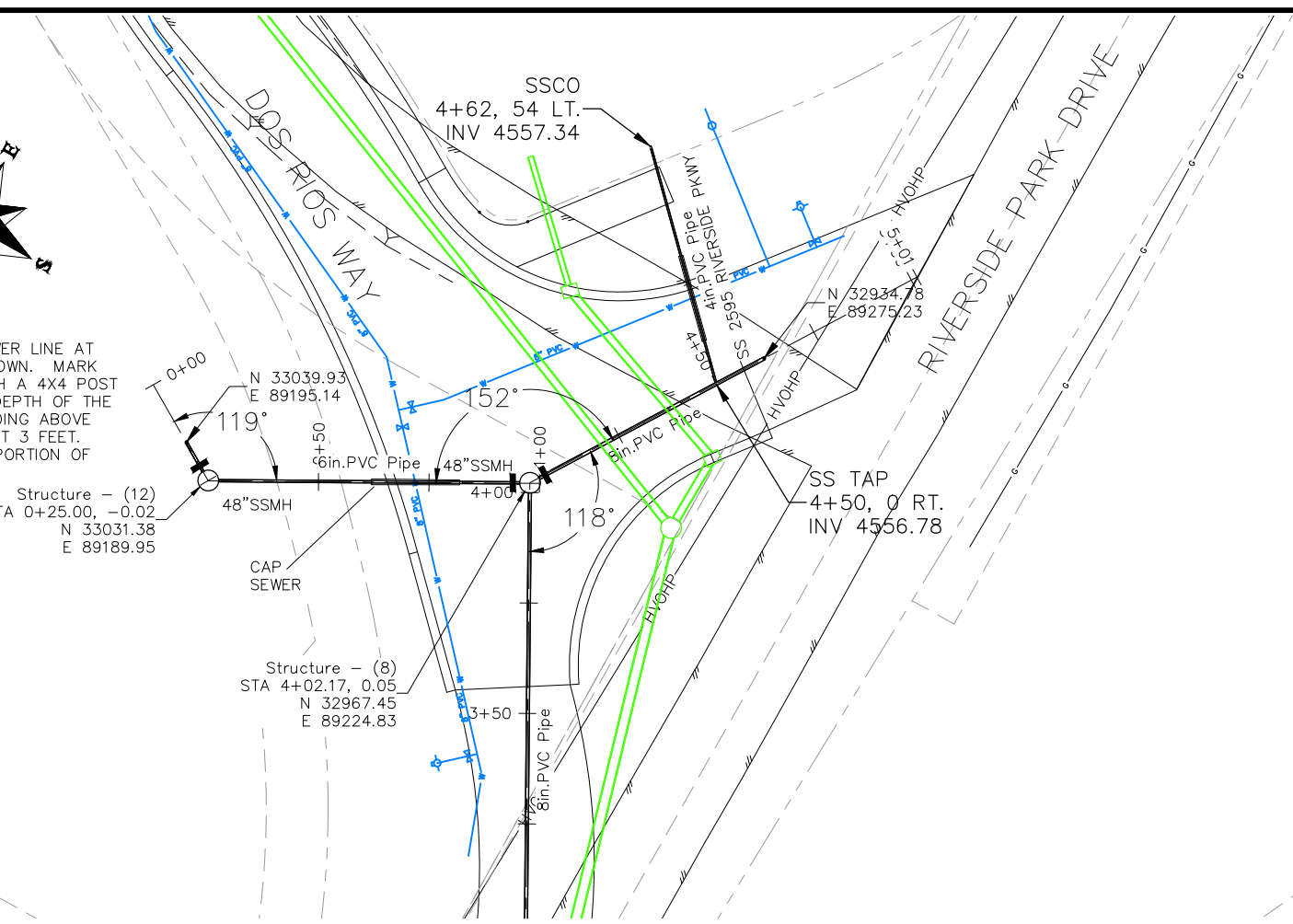
CAP END OF SEWER LINE AT LOCATION AS SHOWN. MARK END OF LINE WITH A 4X4 POST BURIED TO THE DEPTH OF THE PIPE AND EXTENDING ABOVE GROUND AT LEAST 3 FEET. PAINT EXPOSED PORTION OF 4X4 GREEN.

Structure - (12)
STA 0+25.00, -0.02
N 33031.38
E 89189.95

Structure - (8)
STA 4+02.17, 0.05
N 32967.45
E 89224.83

SSCO
4+62, 54 LT.
INV 4557.34

SS TAP
4+50, 0 RT.
INV 4556.78



NOTES:

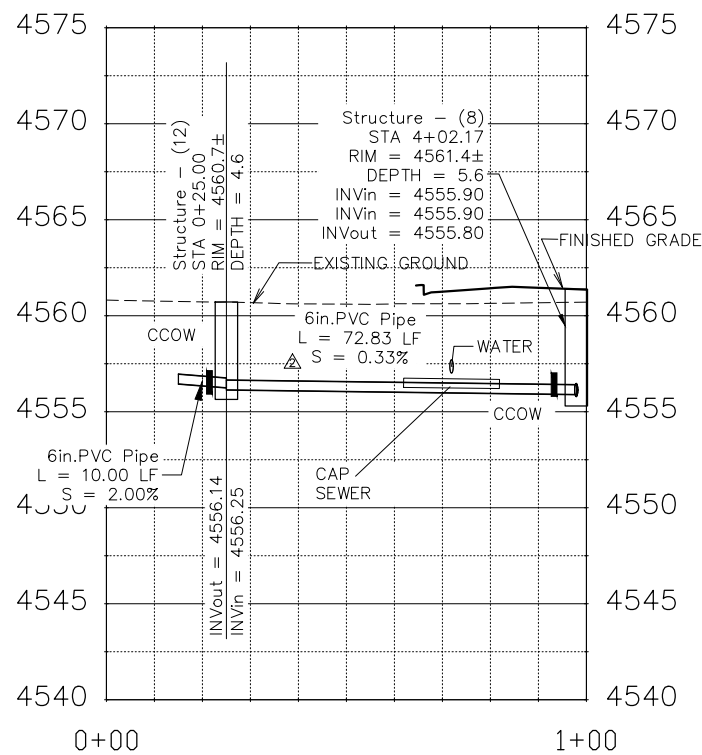
ALL NEW SANITARY SEWER MANHOLES (SSMH) SHALL BE SIZED AS NOTED INCLUDES CONNECTION OF ADJACENT SEWER LINE, FORMING INVERTS AND ADJUSTING TO FINAL GRADE. (SEE CITY OF GRAND JUNCTION STANDARD DETAIL SS-02).

ALL SEWER PIPE SHALL BE SIZED PER PLAN NOTES AND BE SDR-35 PVC. INCLUDES TYPE A BEDDING AND HAUNCHING MATERIAL AND BACKFILL OF TRENCH WITH NATIVE MATERIALS MEETING 103.16 EARTH BACKFILL MATERIAL.

CLAY CUT OFF WALLS (CCOW) SHALL BE PLACED ON THE UPSTREAM PIPE SIDES OF ALL MANHOLES. (NO SEPARATE PAY)

△ ALL SEWER SERVICE LINES SHALL BE 4" SDR-35 PVC

WHERE PIPES ARE CALLED TO HAVE A NEW CAP, CAP TOP HALF OF SEWER IN CONCRETE PER STD. DETAIL GU-04. (WATER LINE LESS THAN 18" ABOVE SEWER LINE)



REVISION	DESCRIPTION	DATE
REVISION △	SEWER SERVICE SIZE CLARIFICATION	3/14/19
REVISION △	SEWER PIPE GRADE ADJUSTMENT	3/20/19
REVISION △		
REVISION △		

DRAWN BY	JCS	DATE	2018
DESIGNED BY	JCS	DATE	2018
CHECKED BY	TCP	DATE	2018
APPROVED BY	TCP	DATE	2018

SCALES:	
0 10 20 40	HORIZONTAL
0 2.5 10	VERTICAL



PUBLIC WORKS
ENGINEERING DIVISION

THE RIVERFRONT AT DOS RIOS
SANITARY SEWER PLAN AND PROFILE