

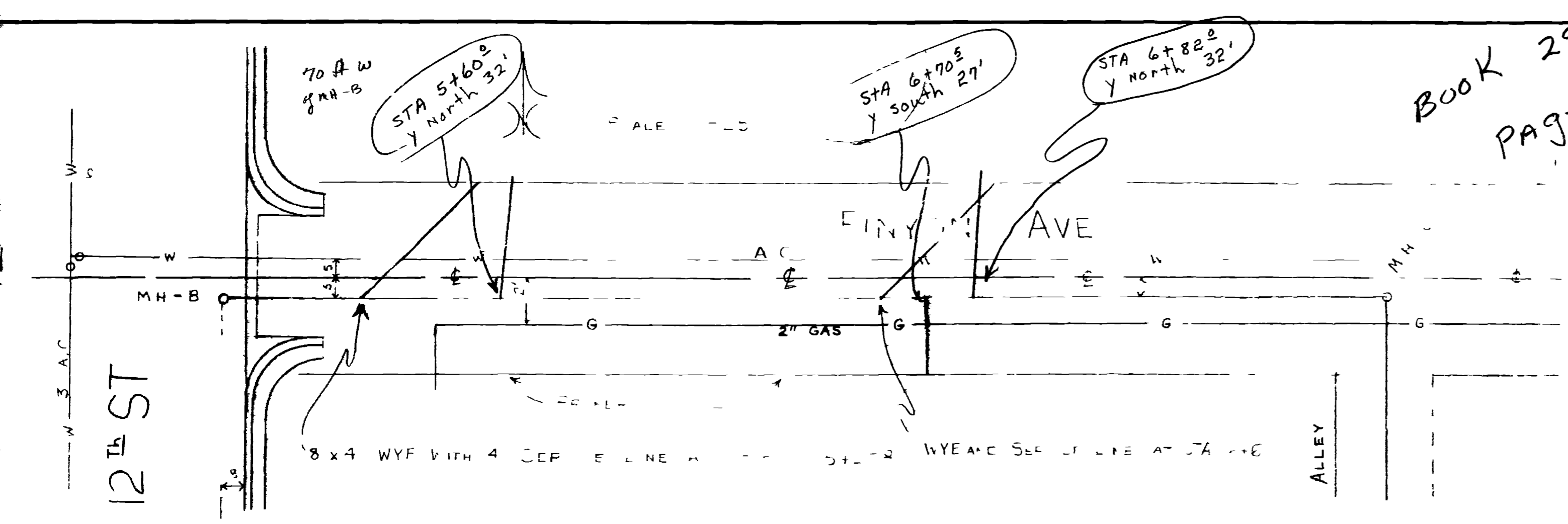
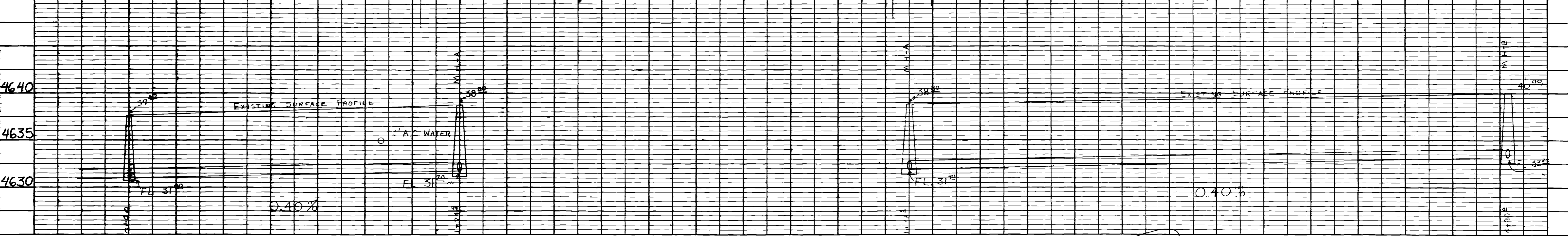
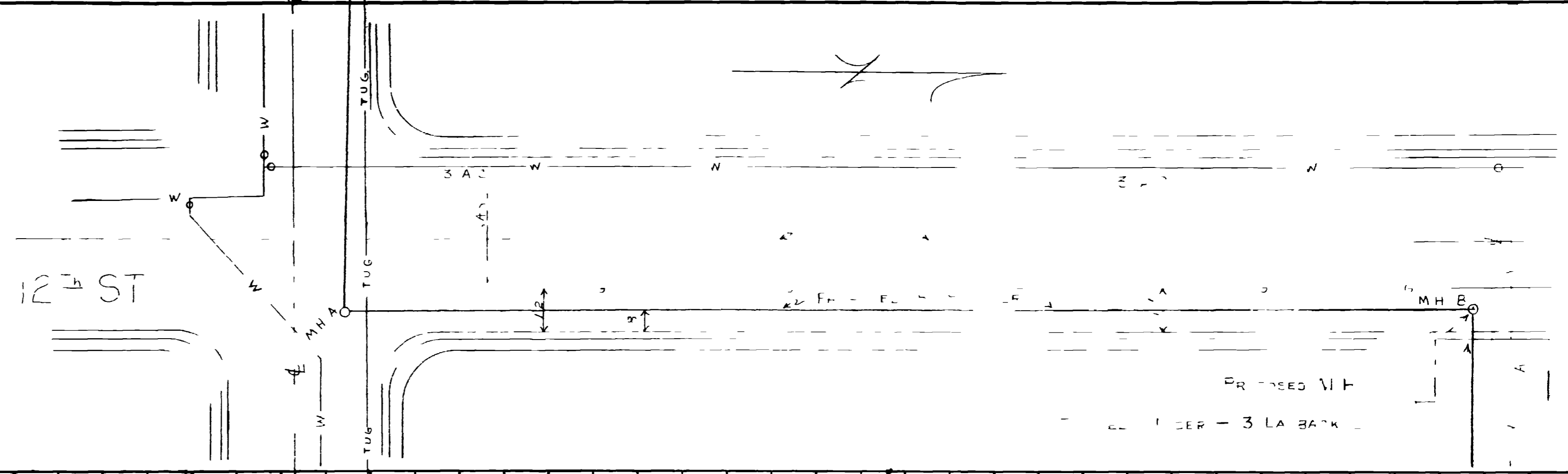
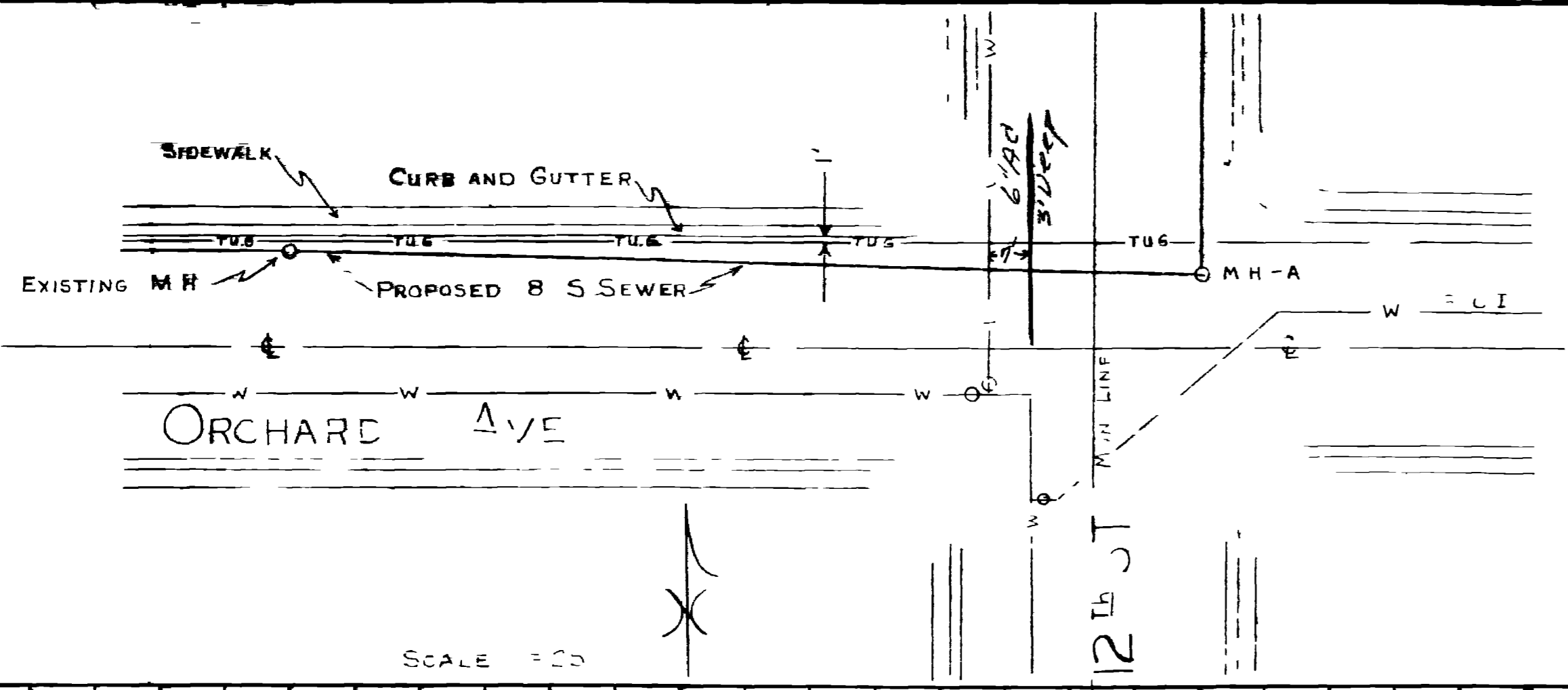
6th STREET AND CENTER AVE.
12th STREET AND PINYON AVE.
SANITARY SEWER EXTENSIONS

1973

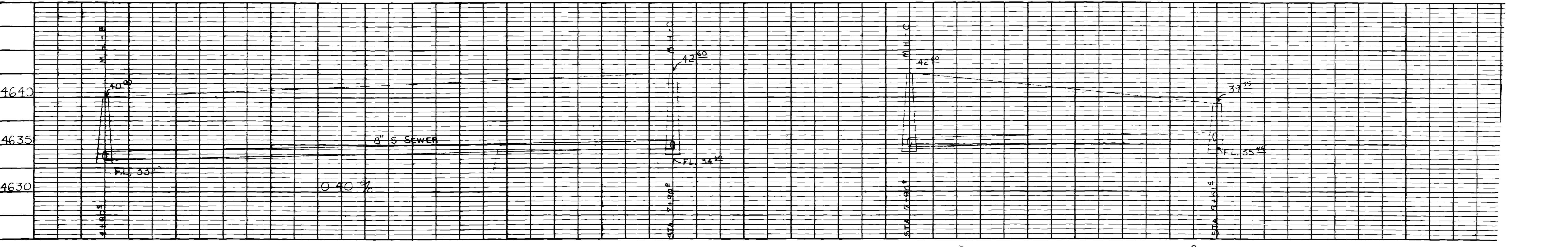
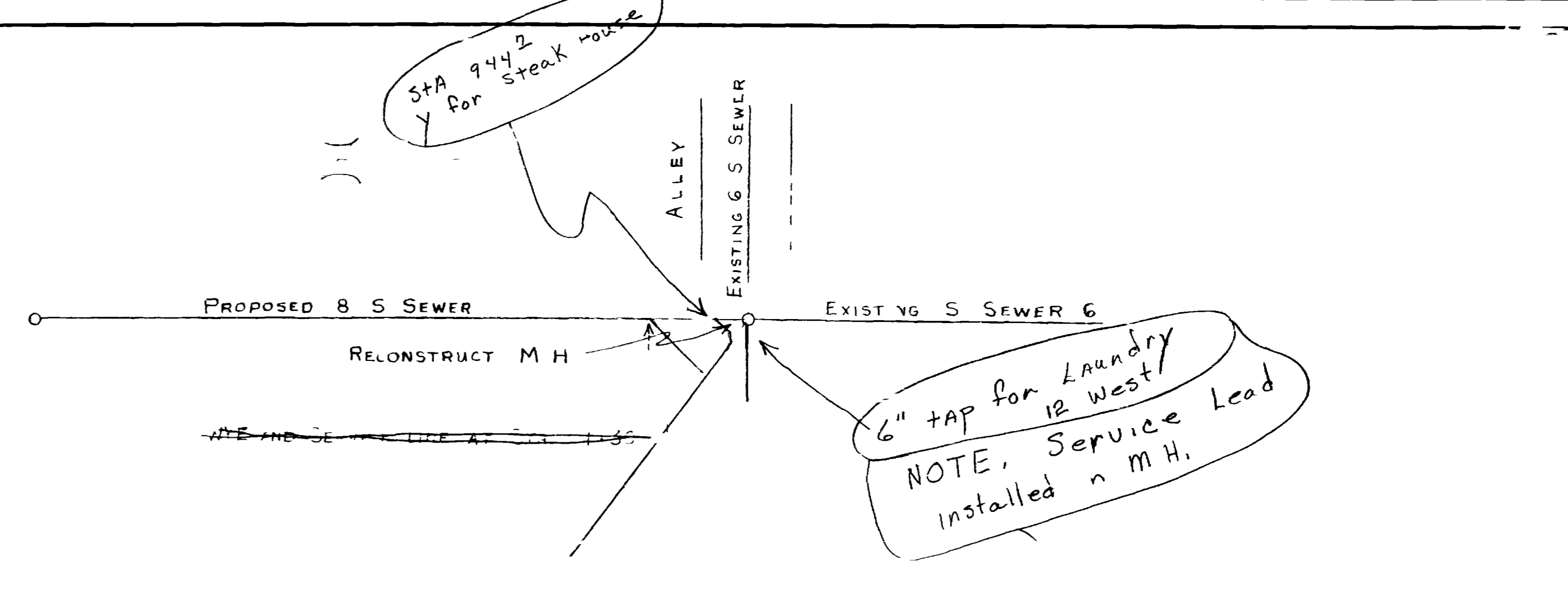
STA 2+25
 6 92
 75
 5 97
 5 34
 11 31

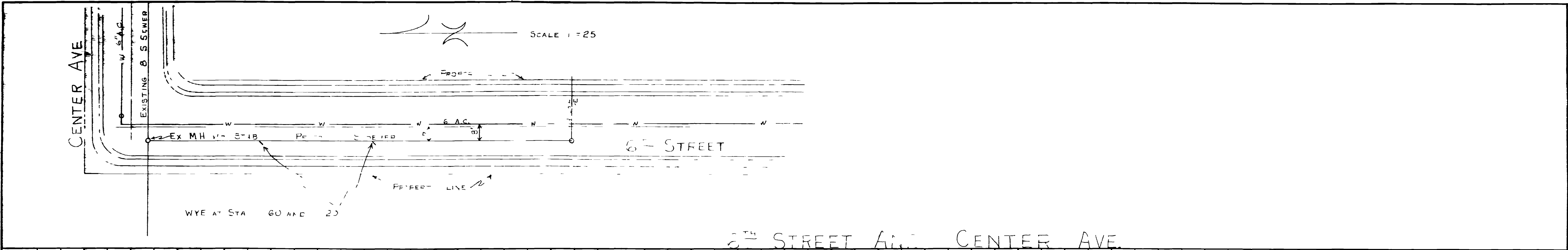
ENGINEERING DEPARTMENT
 COMPANY

Drwn By
 Date 1/15/73 Approved by
 Scale AS SHOWN Director of Public Works
 Field E. k. 306
 Page 15

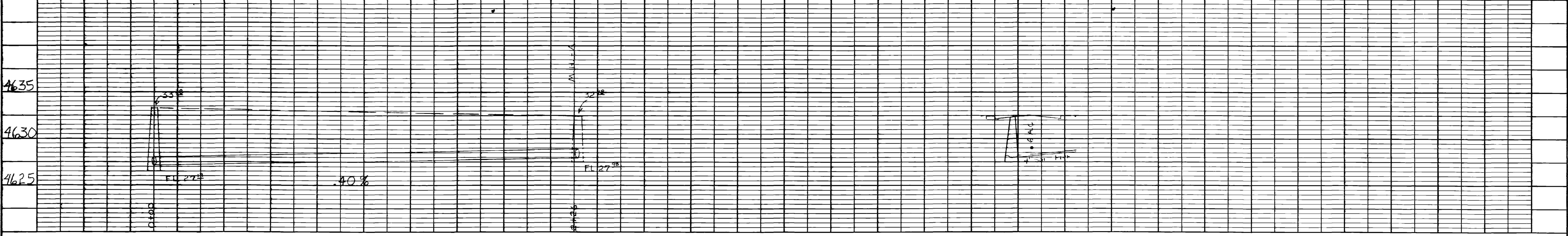


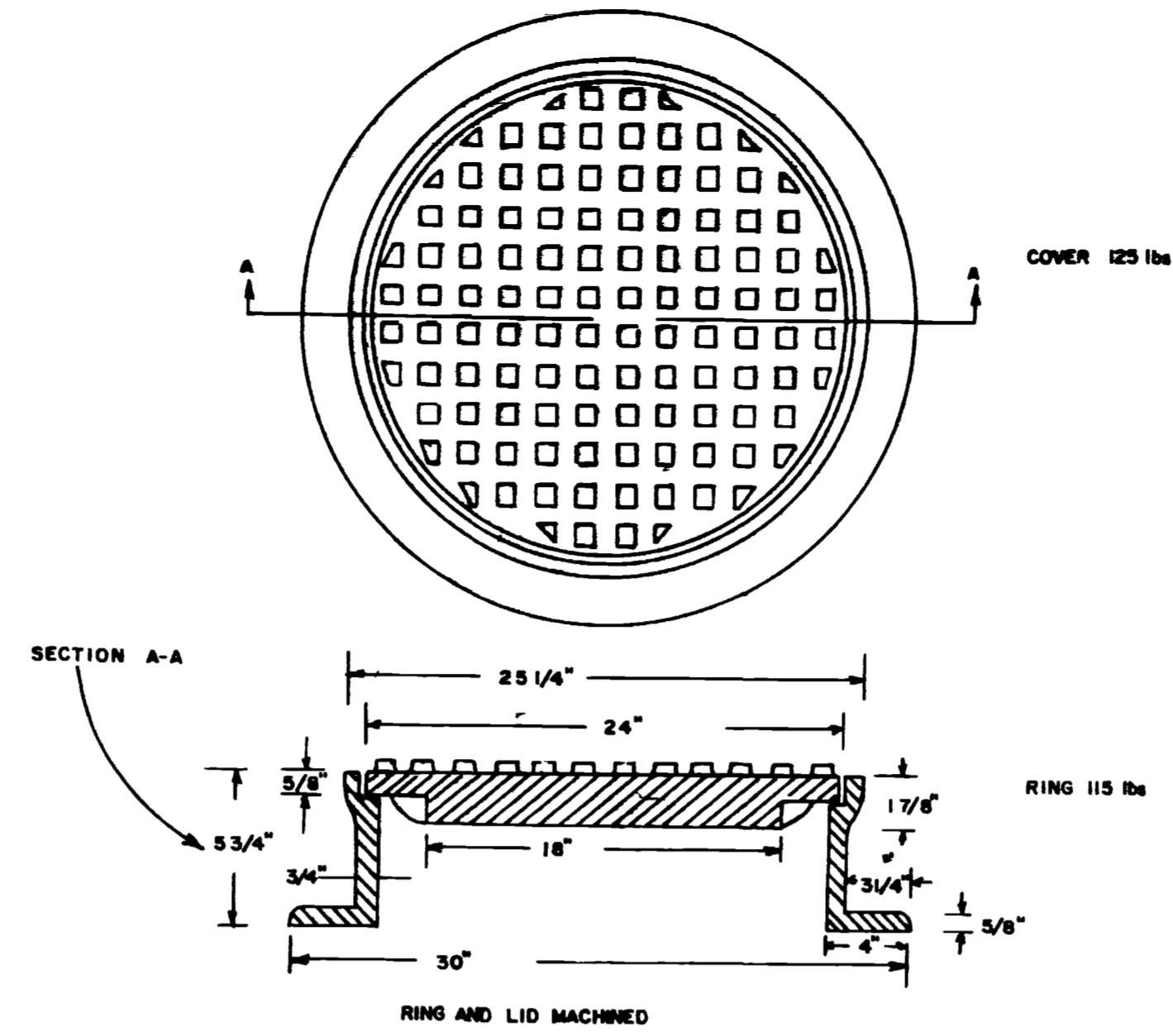
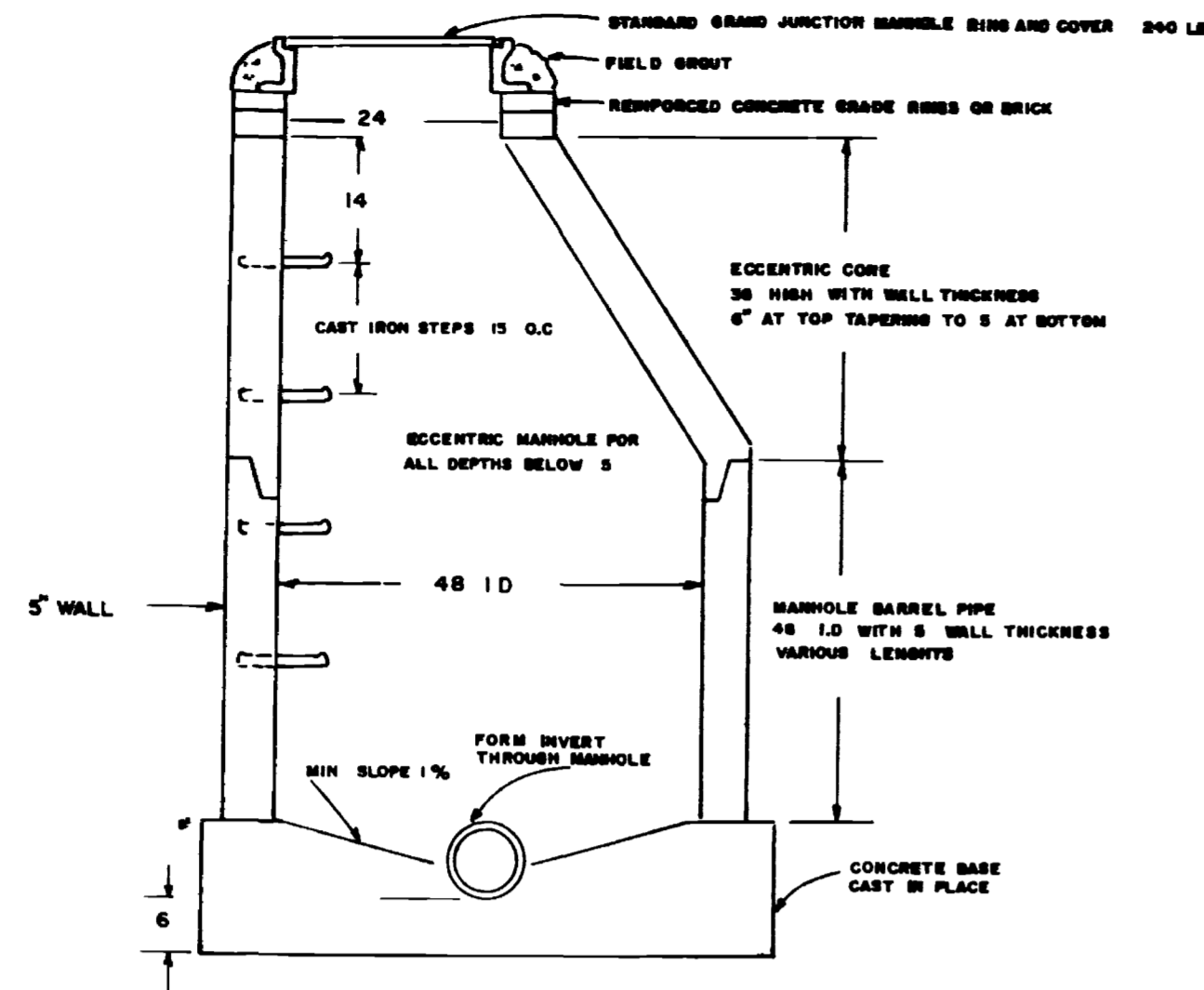
BOOK 296
 PAGE 75



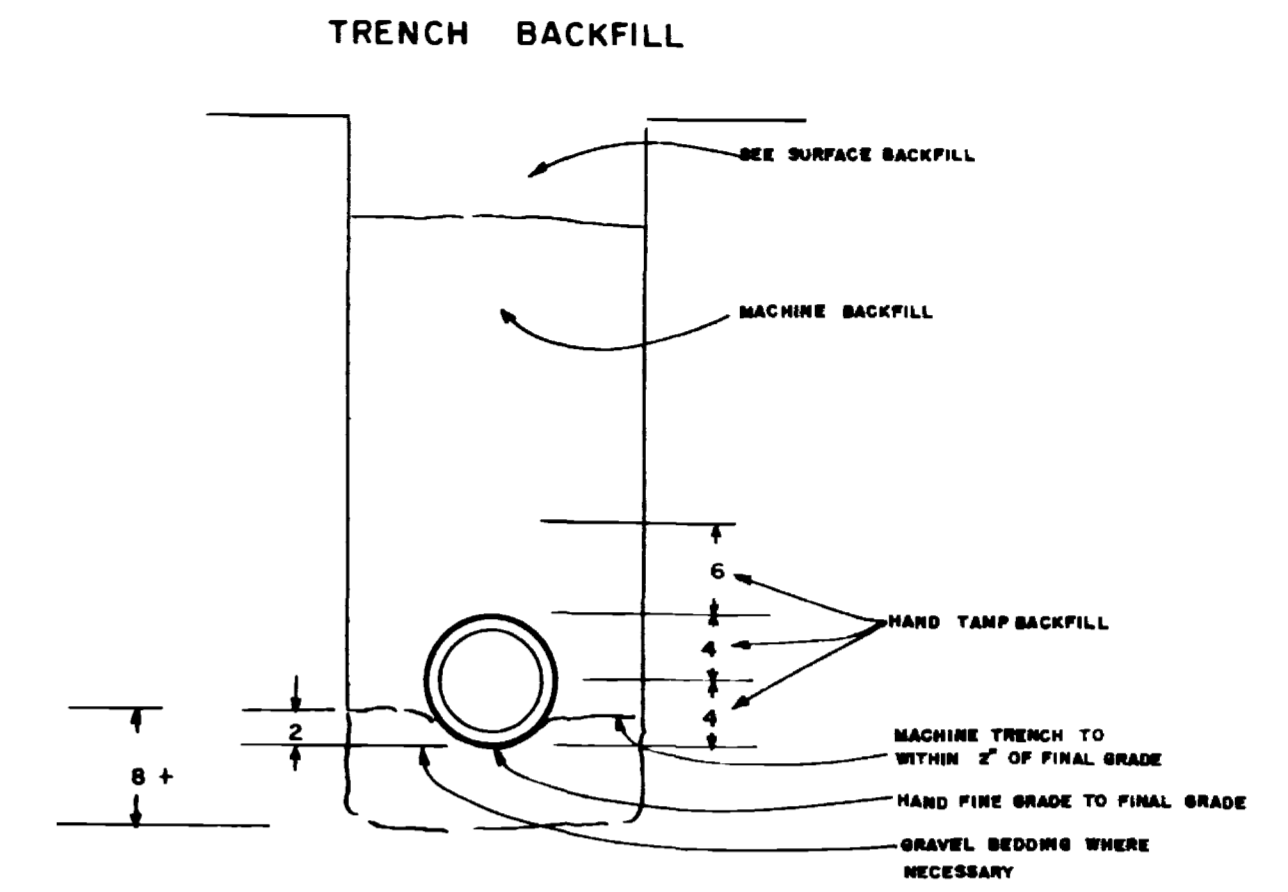
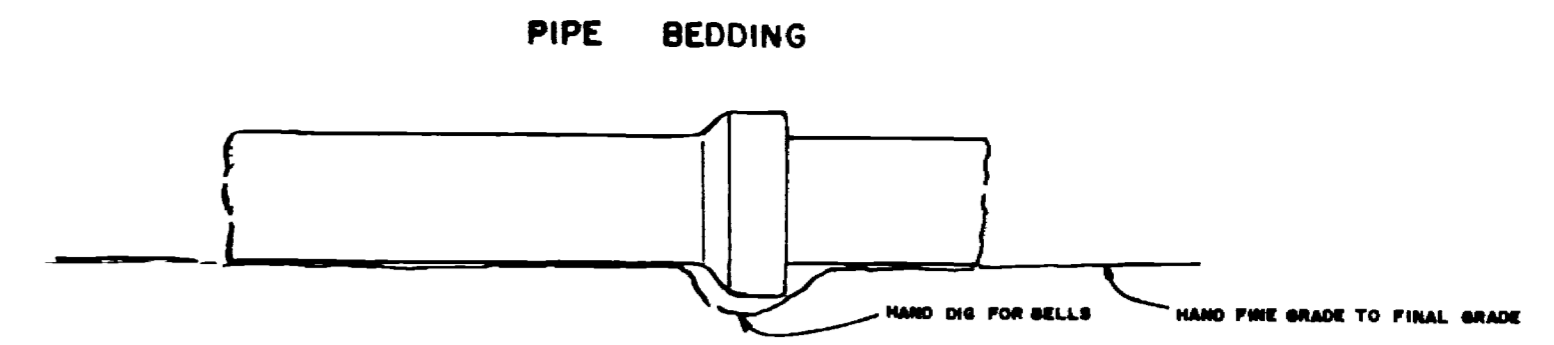


6TH STREET AND CENTER AVE



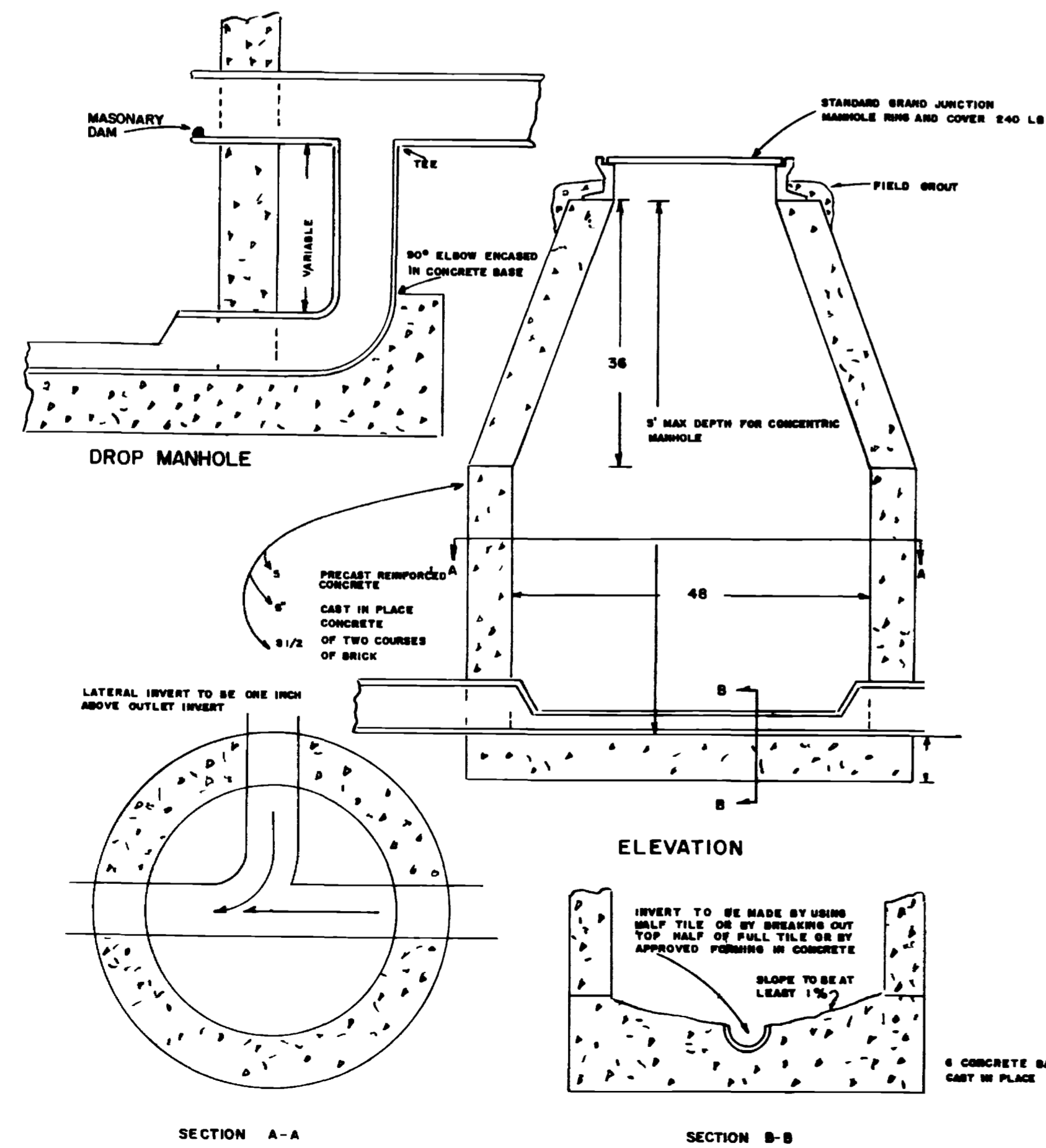


STANDARD GRAND JUNCTION RING & COVER
WT 240 lbs
(or approved equal)



NOTE COMPACTION BY USE OF WATER IS APPROVED AND RECOMMENDED IN LOCATION APPROVED BY ENGINEER

STANDARD SANITARY SEWER MANHOLE



SURFACE BACKFILL

