

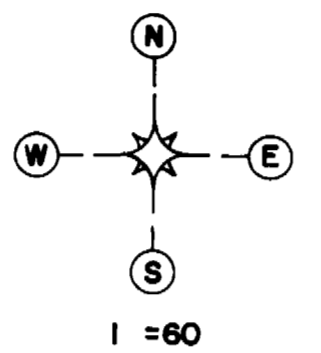
**CONSTRUCTION  
OF SANITARY  
SEWER AND  
INSTALLATION  
OF WATER  
LINE AND  
APPURTENANCES**

◆ **1974** ◆

**ENGINEERING DEPT**  
 APPROVED BY  
*Charles A. Byrnes*  
 DIRECTOR OF PUBLIC WORKS  
 DESIGNED BY  
*R. K. ...*  
 PE & LS 4456  
 ◆ GRAND JUNCTION ◆

DENVER & RIO GRANDE WESTERN RAILROAD

NE COR SEC 23  
T1S R1W UPM  
"D" ROAD



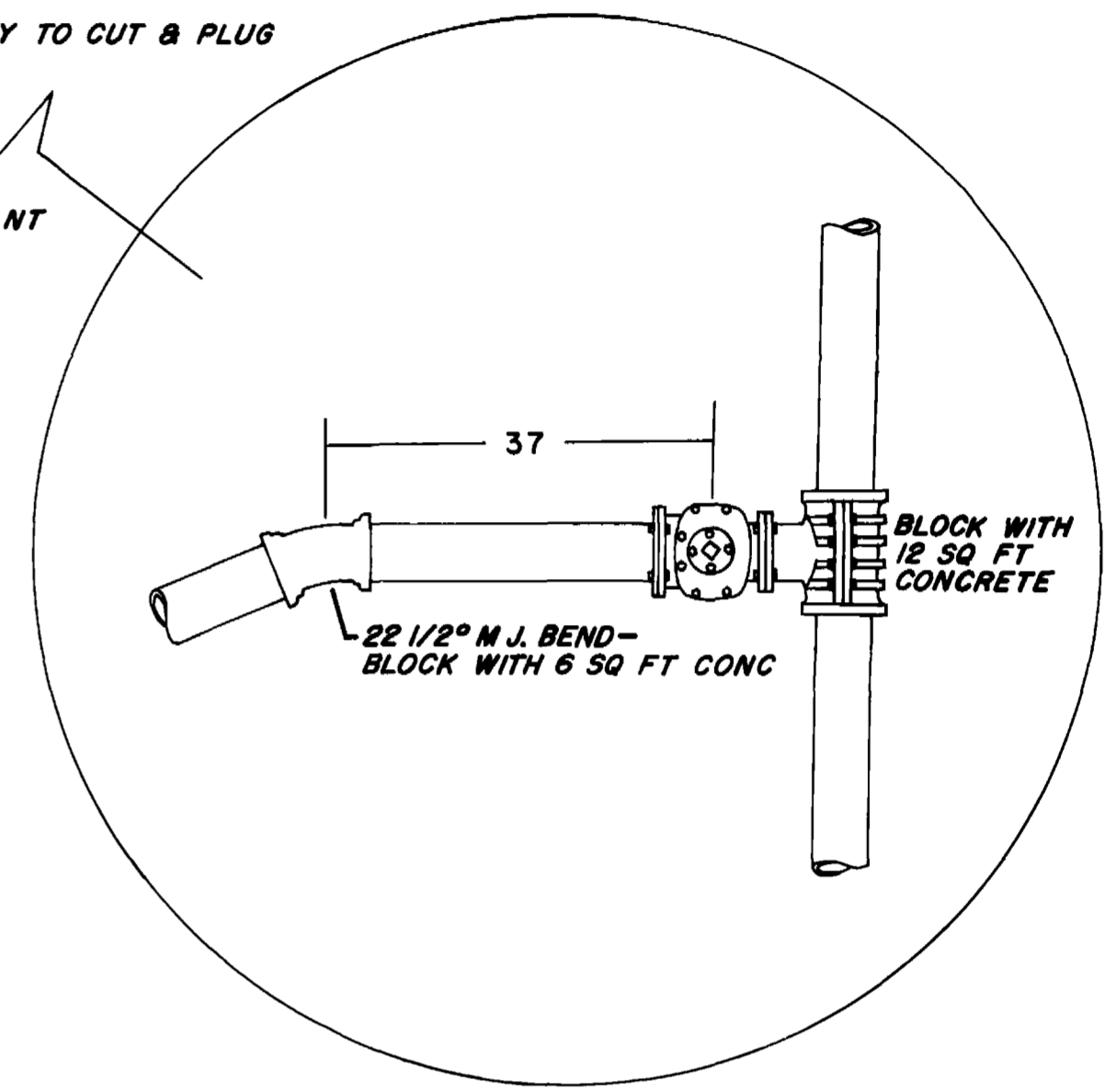
INSTALL 8" SEWER LINE  
(See Sheet No 2)

12" X 12" X 6" M J TEE

INSTALL FIRE HYDRANT

MAKE FINAL CONNECTION WITH SOLID SLEEVE

CITY TO FURNISH & INSTALL 12" X 12" X 12" M J TEE & VALVE  
CITY TO CUT & PLUG



90° M J BEND—BLOCK WITH CONCRETE (12 SQ FT)

22 1/2° M J BEND—DEFLECT ADJACENT JOINTS (5° MAXIMUM DEFLECTION) TO FIT ALIGNMENT—BLOCK WITH CONCRETE

INSTALL FIRE HYDRANT

INSTALL 12" DUCTILE IRON WATER LINE

AS BUILT

12" X 12" X 6" M J TEE

EXISTING MH  
STORM S

SECOND AVENUE

STORM S

THIRD AVENUE

STORM S

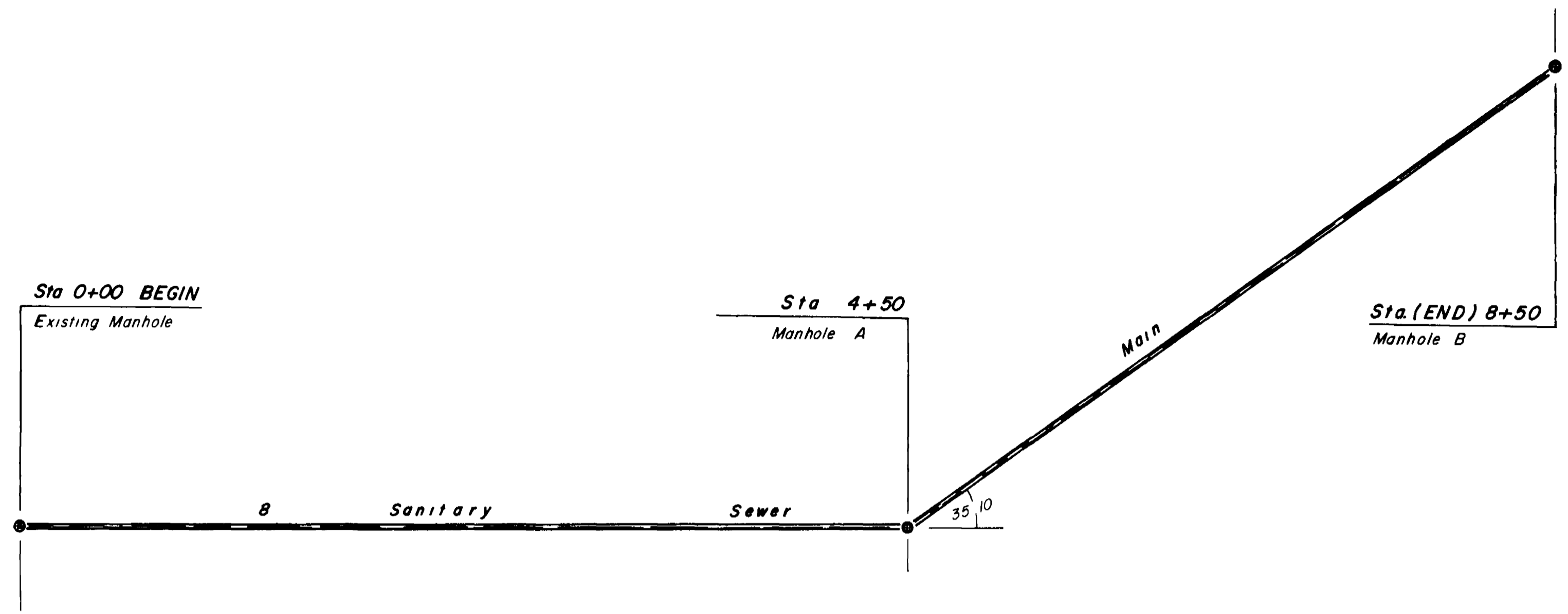
10TH STREET

11TH STREET

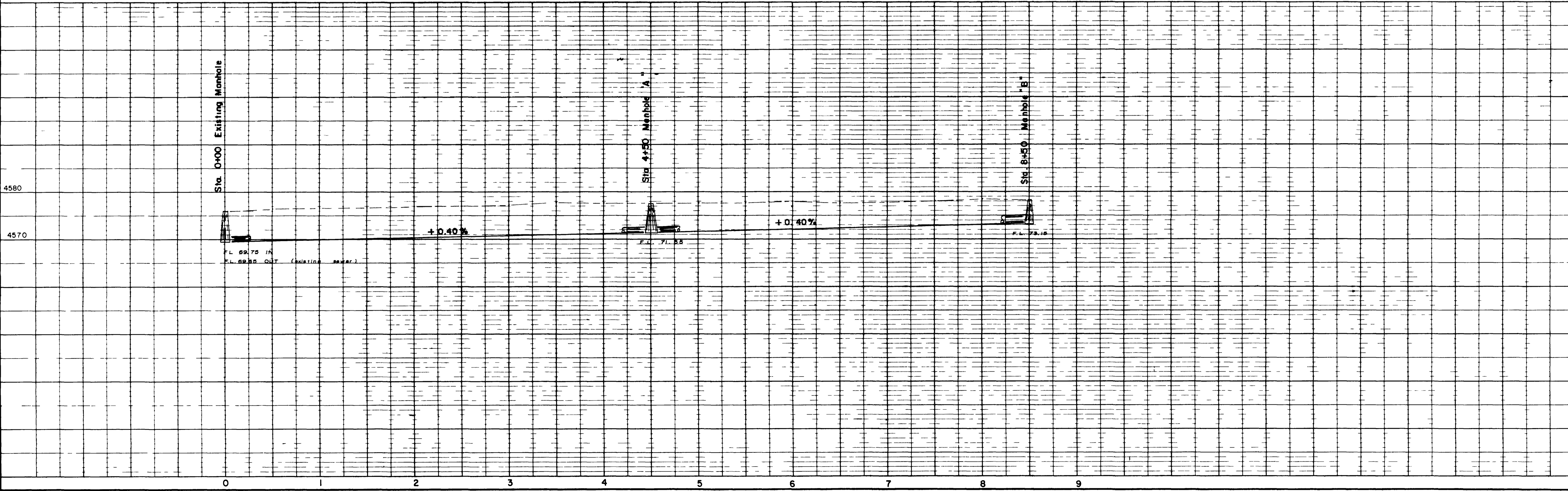
12TH STREET

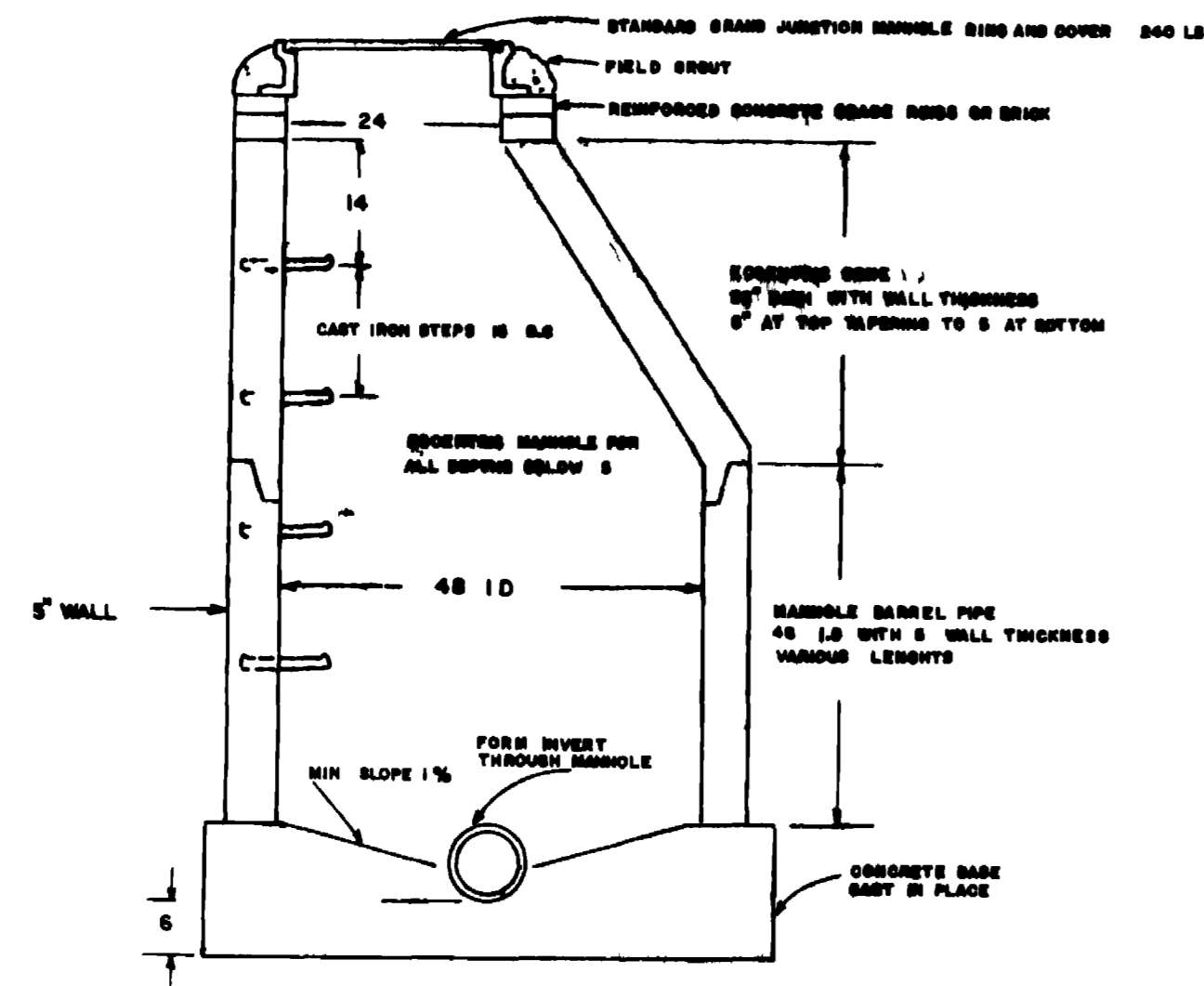
THIRD AVENUE

STORM S

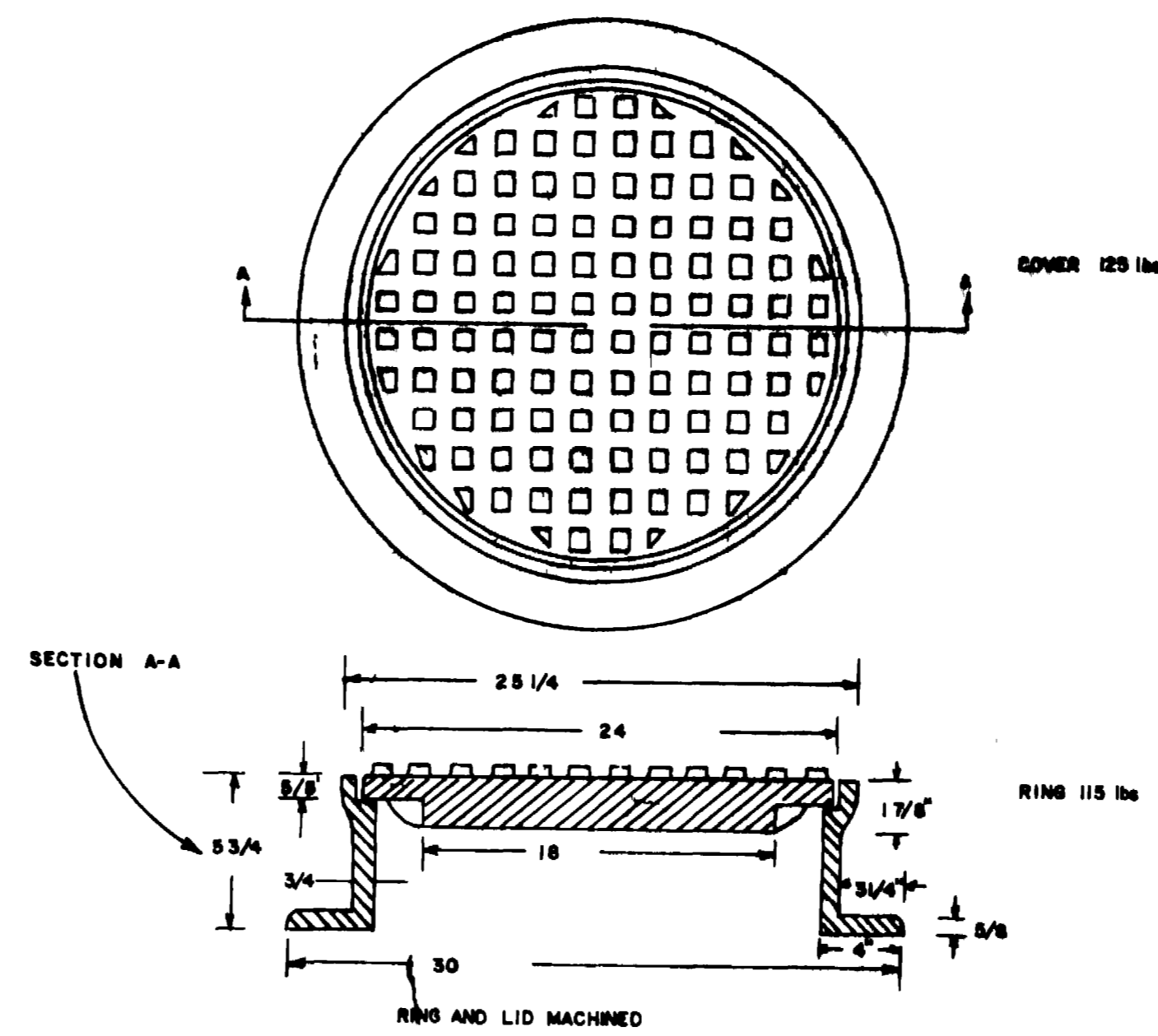


NOTE Refer to plan sheet no 1  
for further details and  
relationship to new water line

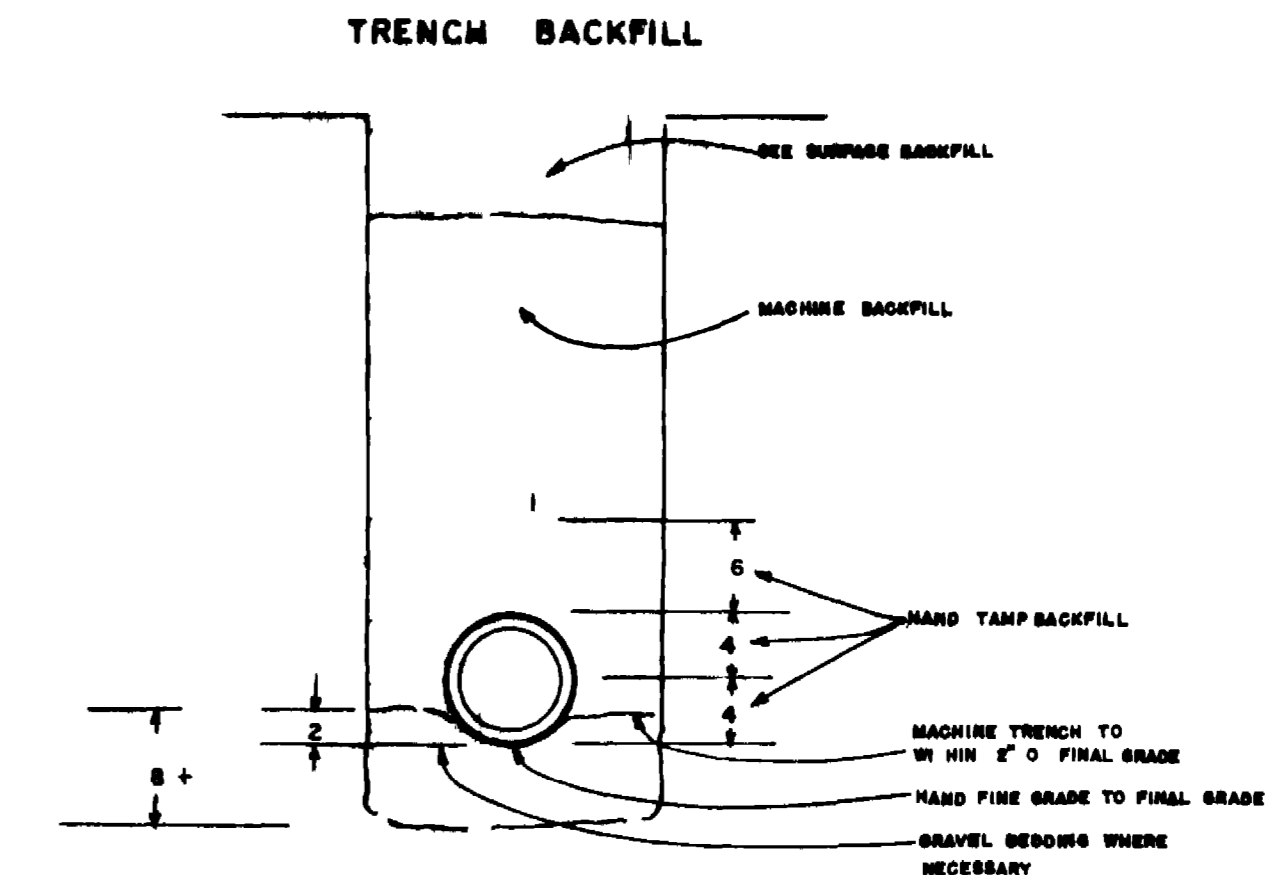
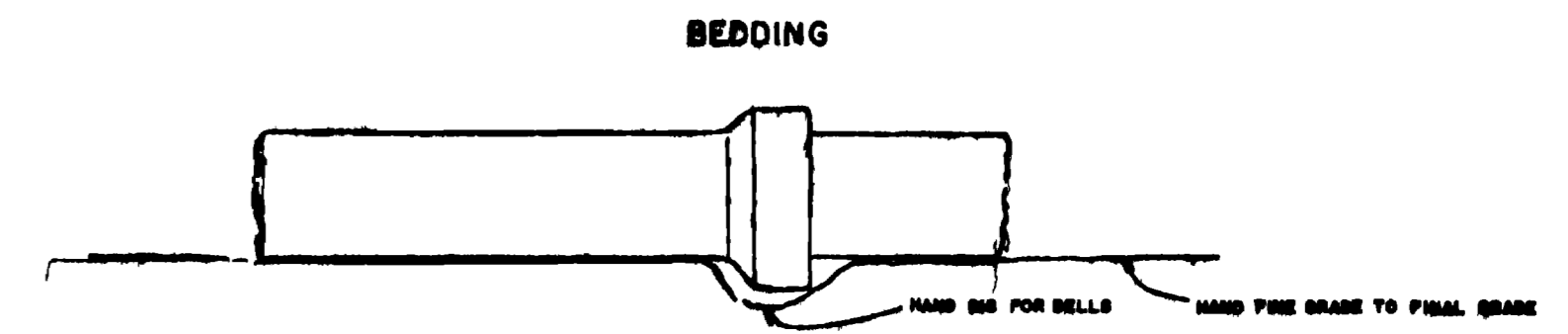




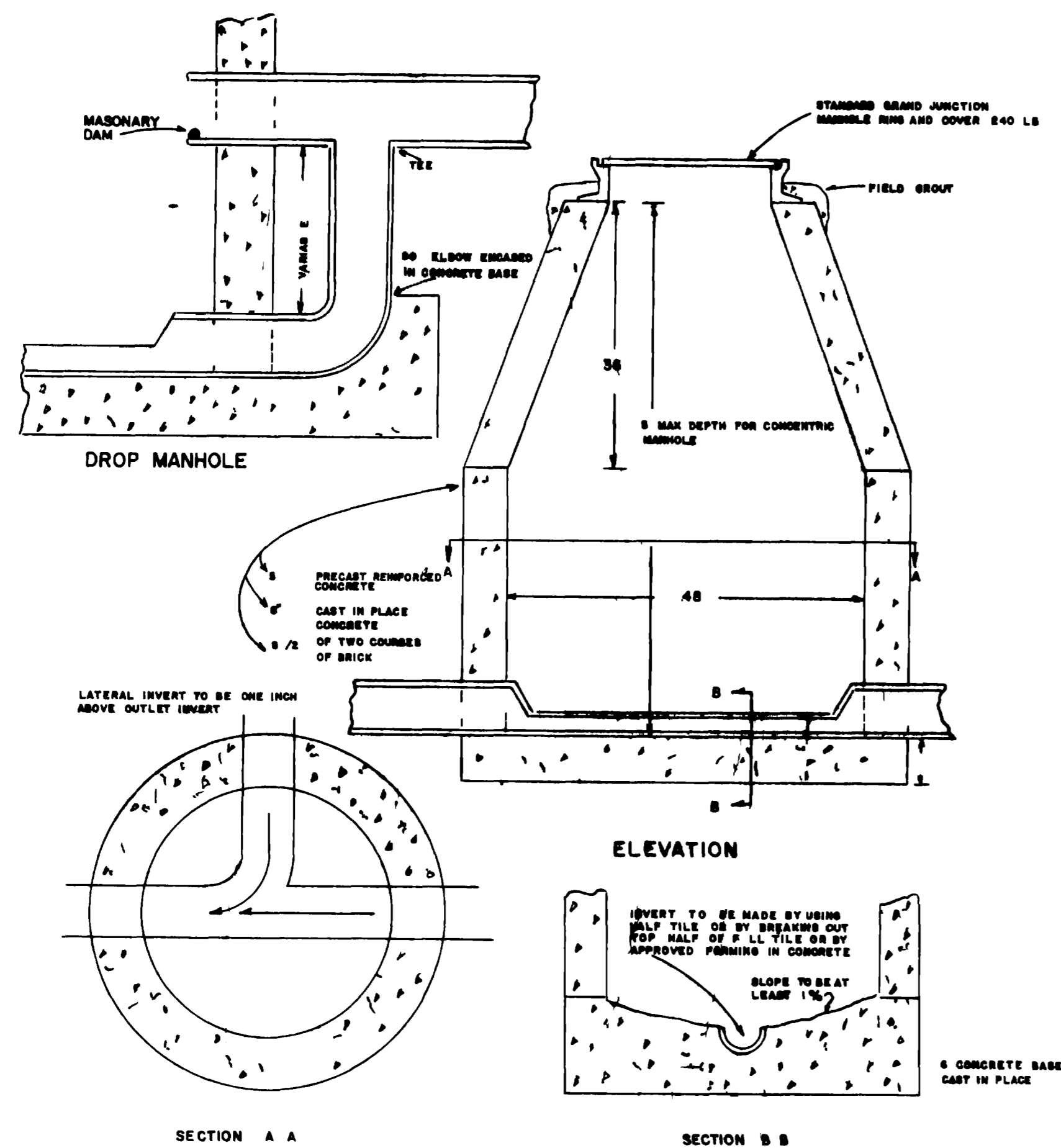
STANDARD SANITARY SEWER MANHOLE



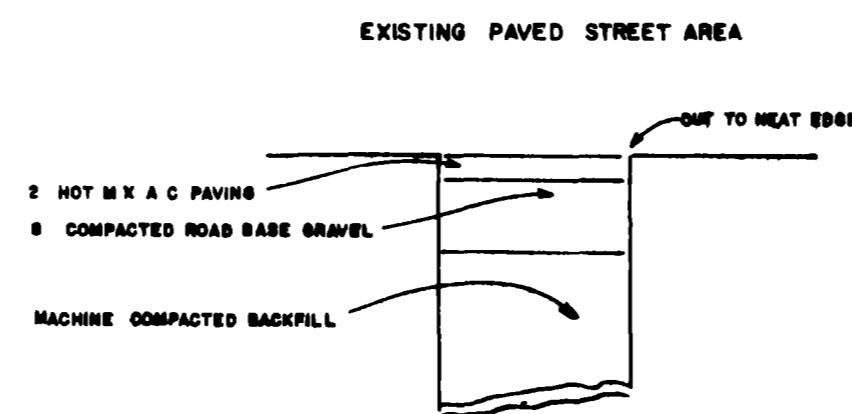
STANDARD GRAND JUNCTION RING & COVER  
WT 240 lbs  
(or approved equal)



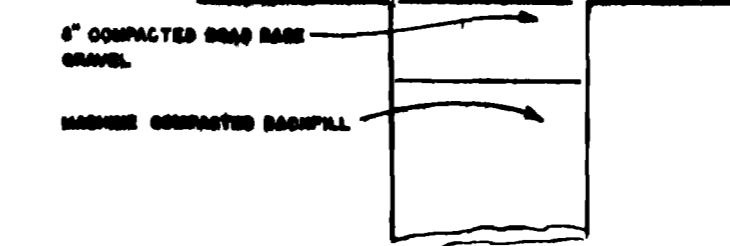
NOTE COMPACTION BY USE OF WATER IS APPROVED AND RECOMMENDED IN LOCATION APPROVED BY ENGINEER



SURFACE BACKFILL



EXISTING GRAVEL STREET AREA



EXISTING EARTH STREET AREA

