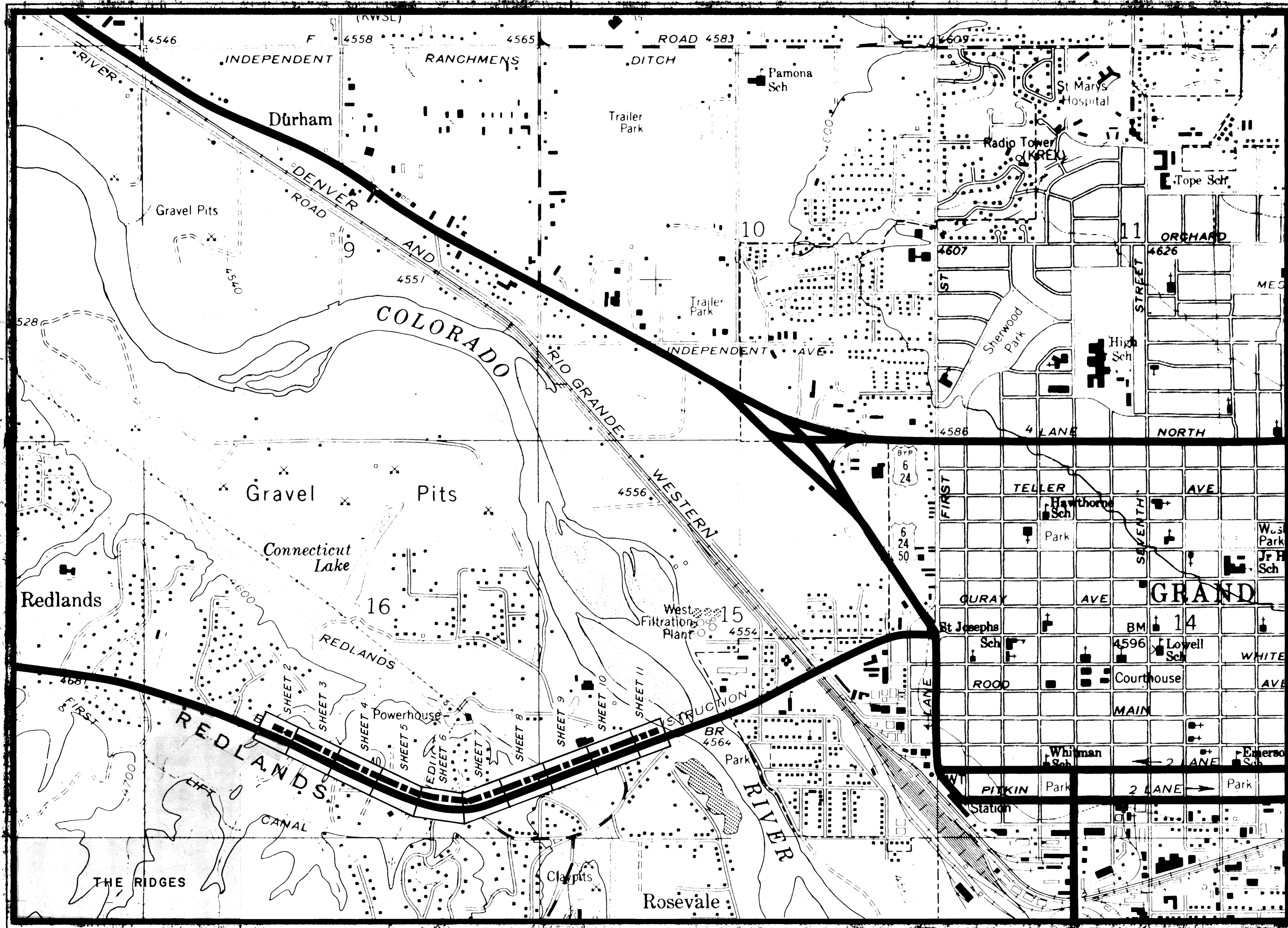


SANITARY SEWER OUTFALL LINE FOR THE RIDGES

MAY 1977



LEGEND

- RIGHT OF WAY LINE
- EDGE OF PAVEMENT
- SURVEY LINE
- SIPHON SANITARY SEWER
- GRAVITY SEWER
- FORCE MAIN SANITARY SEWER
- MANHOLE, AIR RELIEF VALVE, CLEAN OUT & DRAIN VALVE
- WATER LINE
- GAS LINE
- TELEPHONE 24\"/> CONDUIT UNDERGROUND THRUST BLOCK
- C.M.P.
- POWER POLE
- TRAFFIC SIGNS
- MAIL BOX
- LIGHT POLE
- TREES
- VEGETATION
- FENCE LINE
- POWER LINE

SHEET INDEX

SHEET NO.	SHEET NAME
1	Cover & Index Sheet
2	Sta. 58+00 to Sta. 58+00
3	Sta. 58+00 to Sta. 58+00
4	Sta. 58+00 to Sta. 58+00
5	Sta. 58+00 to Sta. 58+00
6	Sta. 58+00 to Sta. 58+00
7	Sta. 58+00 to Sta. 58+00
8	Sta. 58+00 to Sta. 58+00
9	Sta. 58+00 to Sta. 58+00
10	Sta. 58+00 to Sta. 58+00
11	Sta. 58+00 to Sta. 58+00
12	Sta. 58+00 to Sta. 58+00
13	Misc. Station Detail & Thrust Bk.

APPROXIMATE QUANTITIES

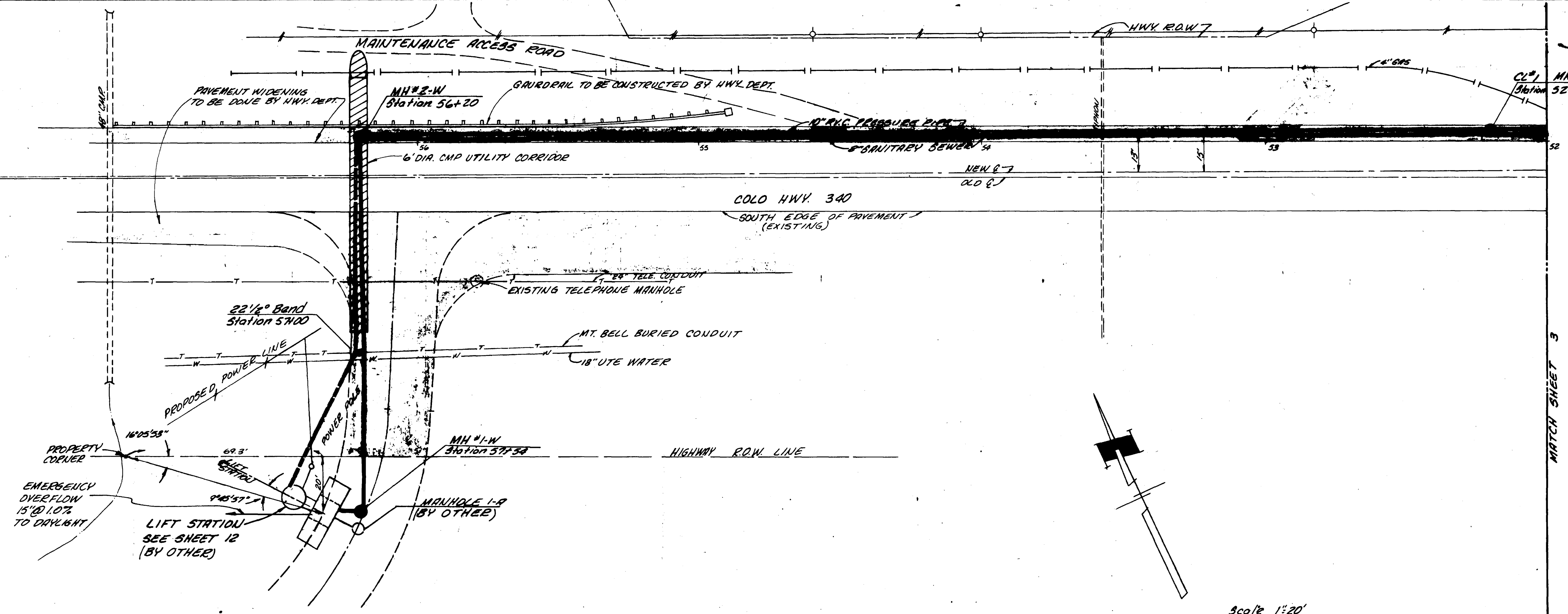
- 2356 LF. 10" FORCE MAIN
- 1100 LF. 10" GRAVITY SEWER
- 200 LF. 12" GRAVITY SEWER
- 1854 LF. BURIED 8" AND 10" SIPHON
- 1 LB. INSULATED CANAL CROSSING
- 2 EA. AIR RELIEF VALVES
- 5 EA. MANHOLES
- 7 EA. CLEANOUTS
- 719 LF. ASPHALT PAVEMENT REPLACEMENT
- 2458 LF. GRAVEL SURFACE COURSE REPLACEMENT

AS BUILT DRAWINGS

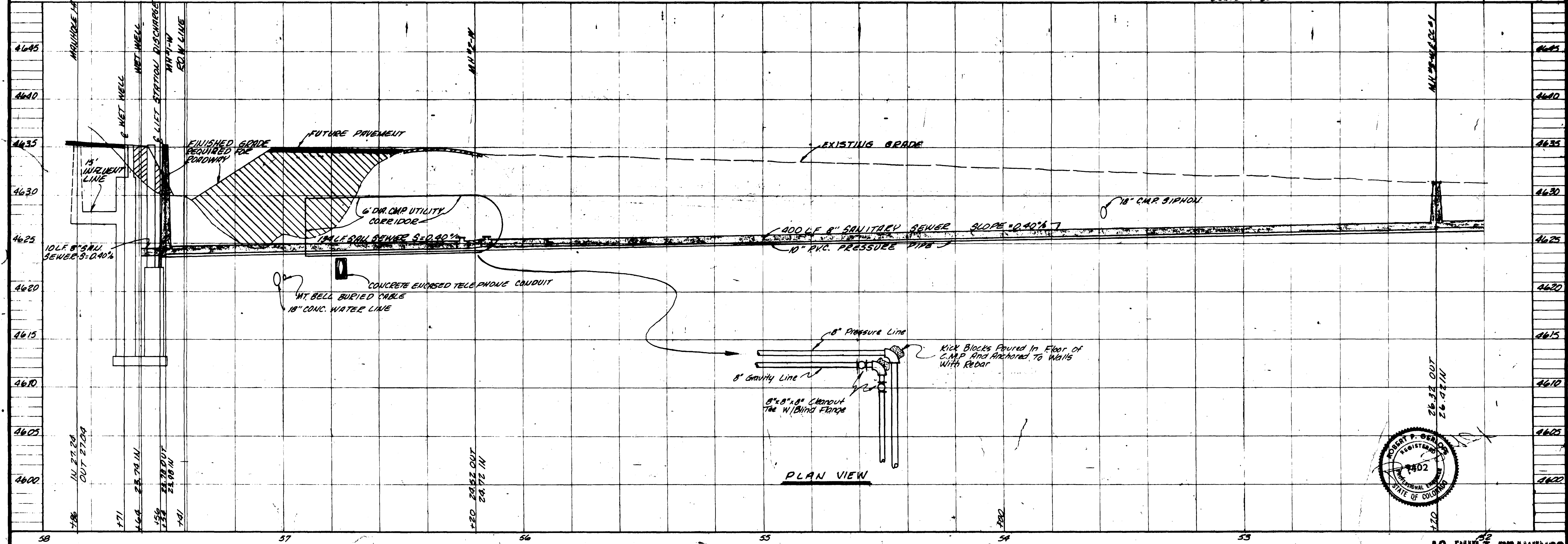
ROBERT P. GERLOFS
Engineering Consultants

SANITARY SEWER OUTFALL LINE FOR THE RIDGES

02-134-02-10



MATCH SHEET 3



ROBERT P. GERLOFS
Engineering Consultants

DATE MAY 1977
SCALE 1/2" = 1' HORIZ.
1/2" = 1' VERT.

Station 52+00 to Station 57+56

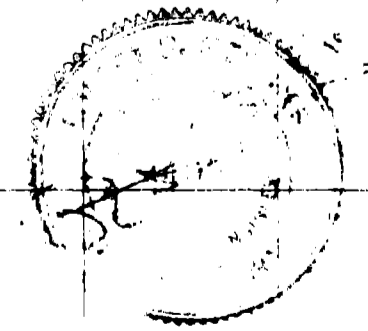
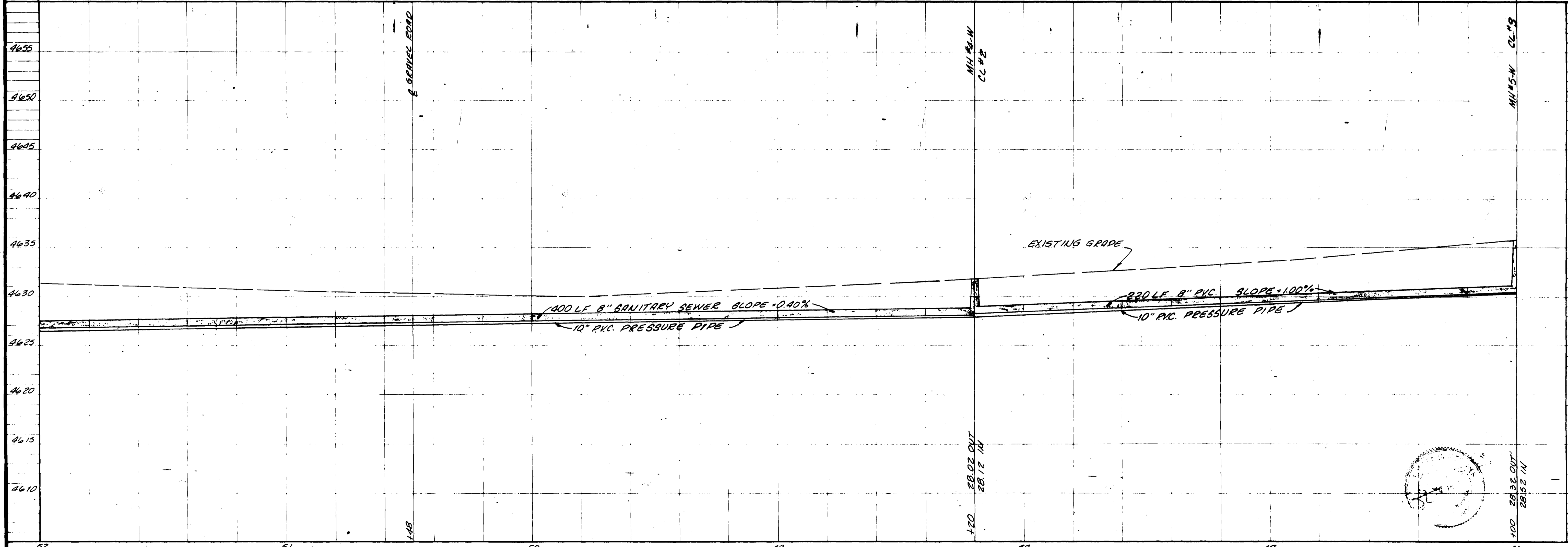
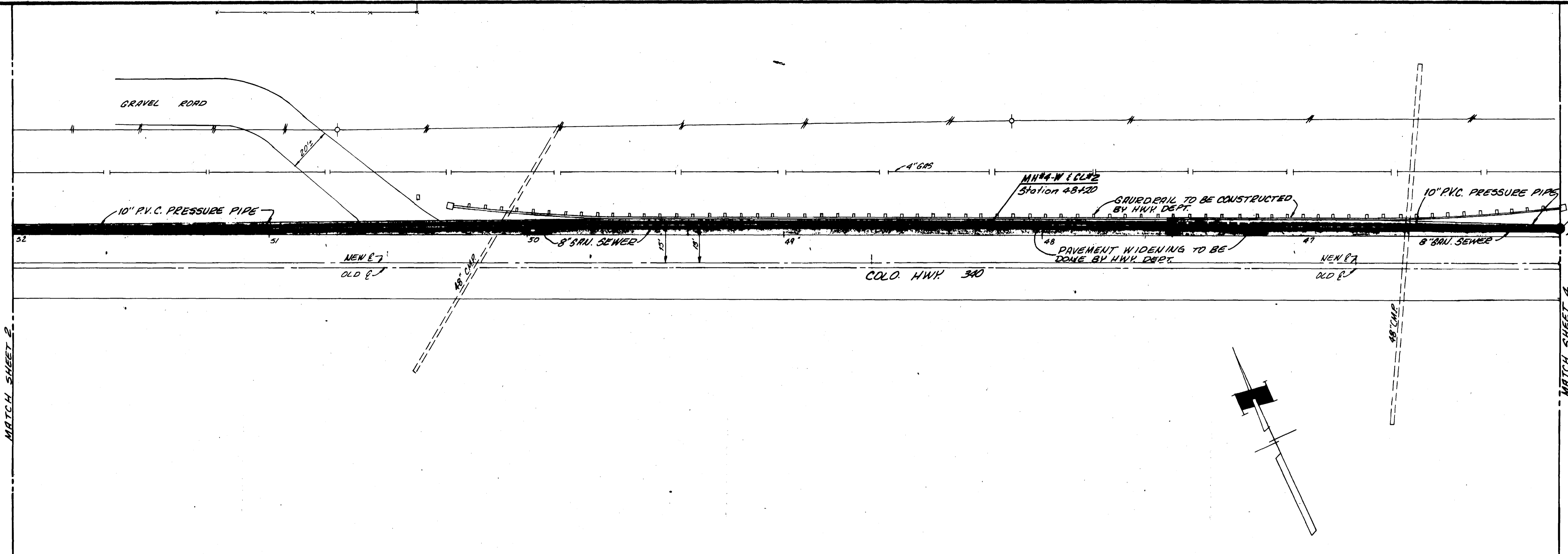
THE RIDGES
SANITARY SEWER OUTFALL LINE
MESA COUNTY, COLORADO

AS BUILT DRAWINGS

REVISED SEPT. 15, 1977

02013402.tif

02-840



BUILT DRAWING
REVISED SEPT. 15, 1977

MATCH SHEET 2

MATCH SHEET 4

ROBERT F. GERDES

SCALE 1"=20'

SCALE 1"=20'

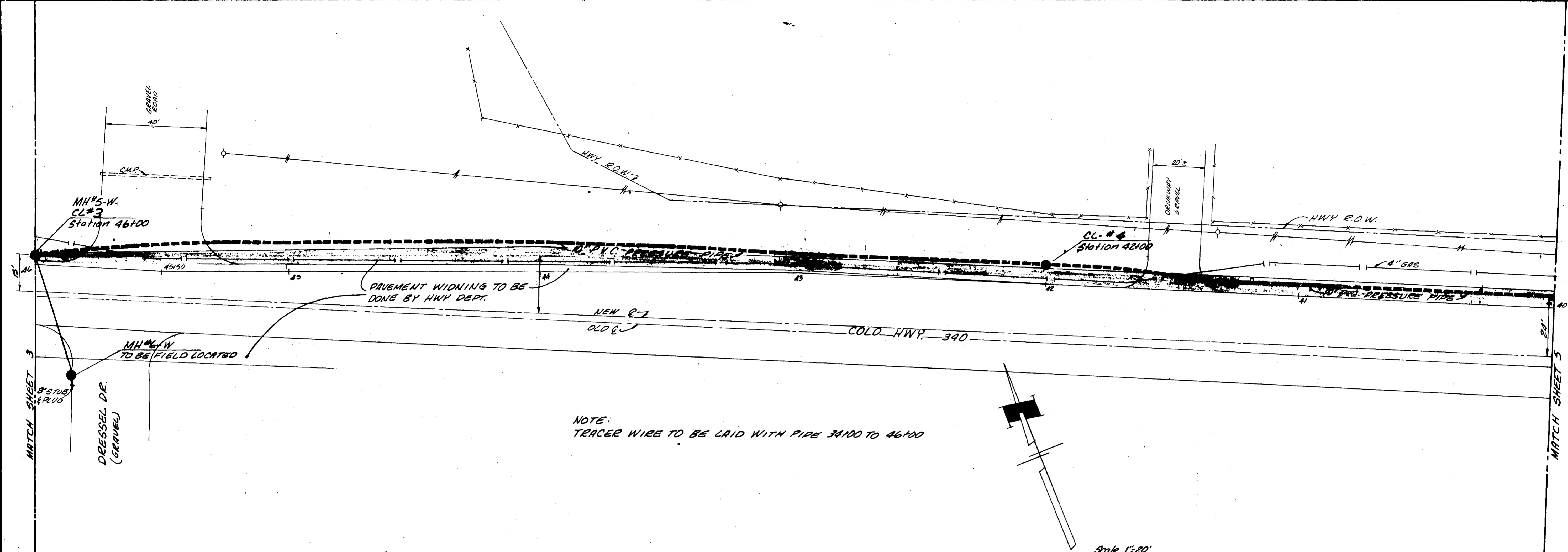
Station 4600 to Station 5200

THE RIDGES
SANITARY SEWER OUTFALL LINE
MESA COUNTY, COLORADO

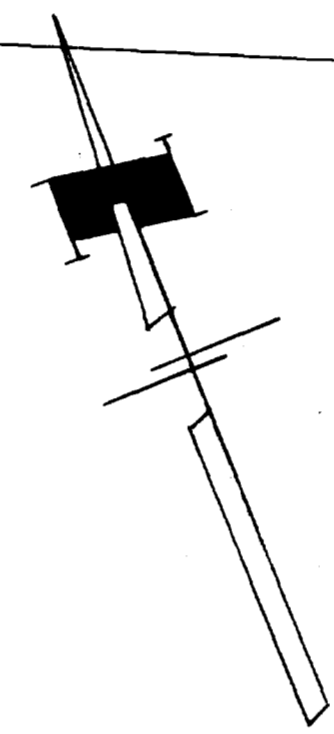
3

13

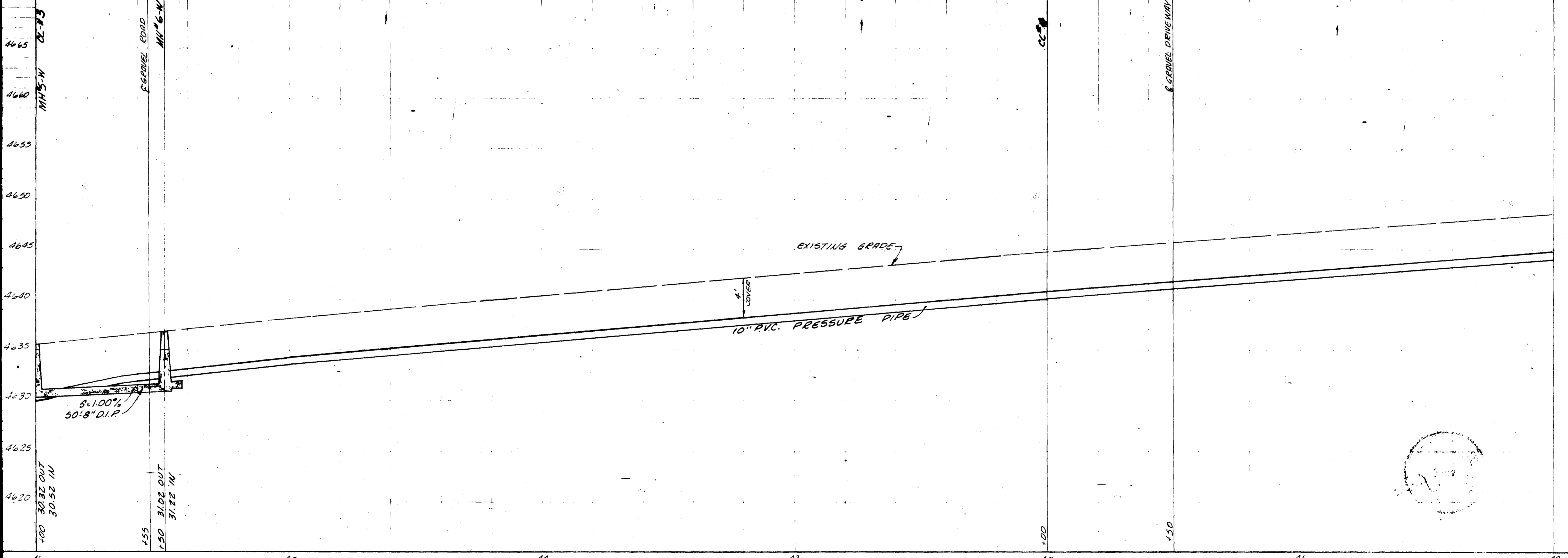
02-840



NOTE:
 TRACER WIRE TO BE LAID WITH PIPE 3400 TO 46+00



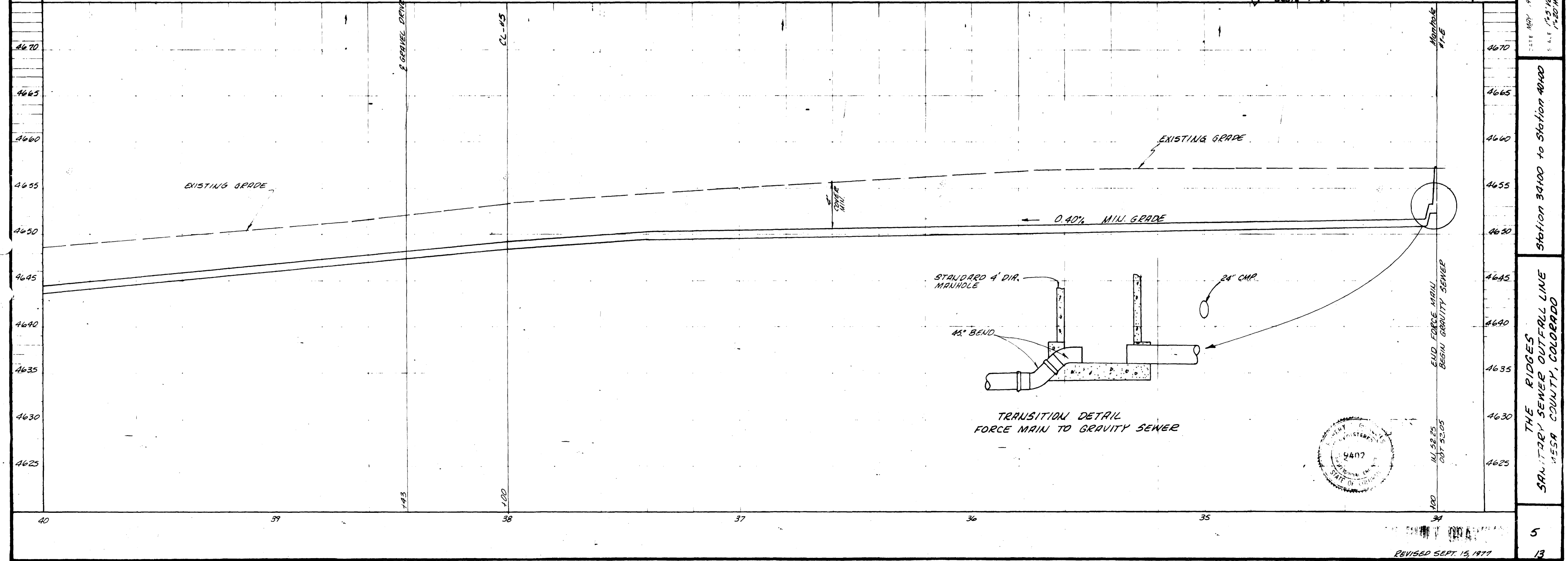
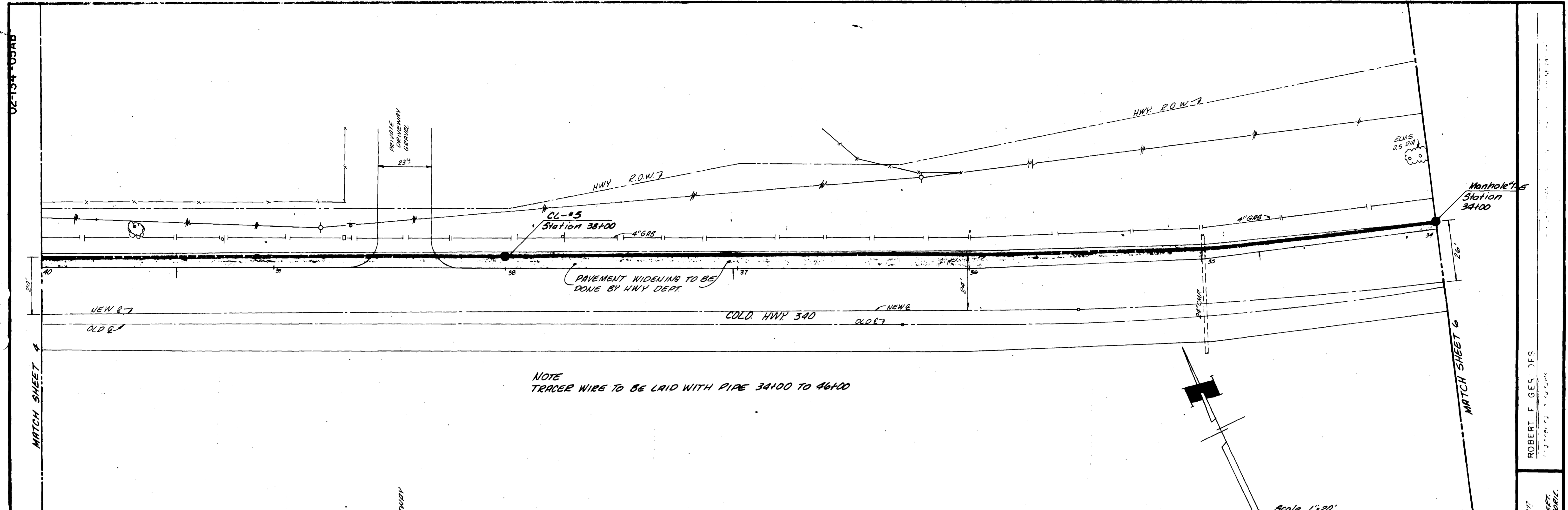
Scale 1"=20'



ROBERT F. GERDES
 ENGINEER NO. 155 STATE OF COLORADO

Station 40+00 to Station 46+00
 THE RIDGES
 SANITARY SEWER OUTFALL LINE
 MESA COUNTY, COLORADO

REVISED SEPT. 15, 1977



ROBERT F. GESS, P.E.
 LICENSE NO. 4407
 STATE OF COLORADO

DATE: MAY 1977
 SCALE: 1"=20' HORIZ.
 1"=20' VERT.

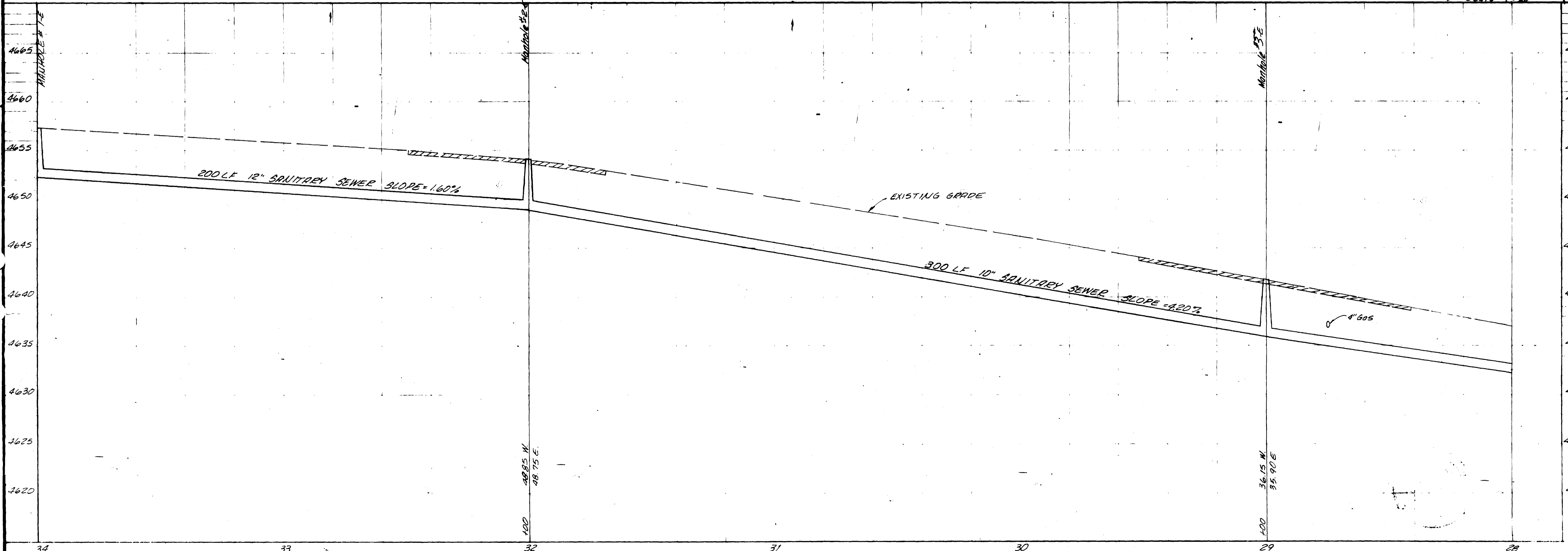
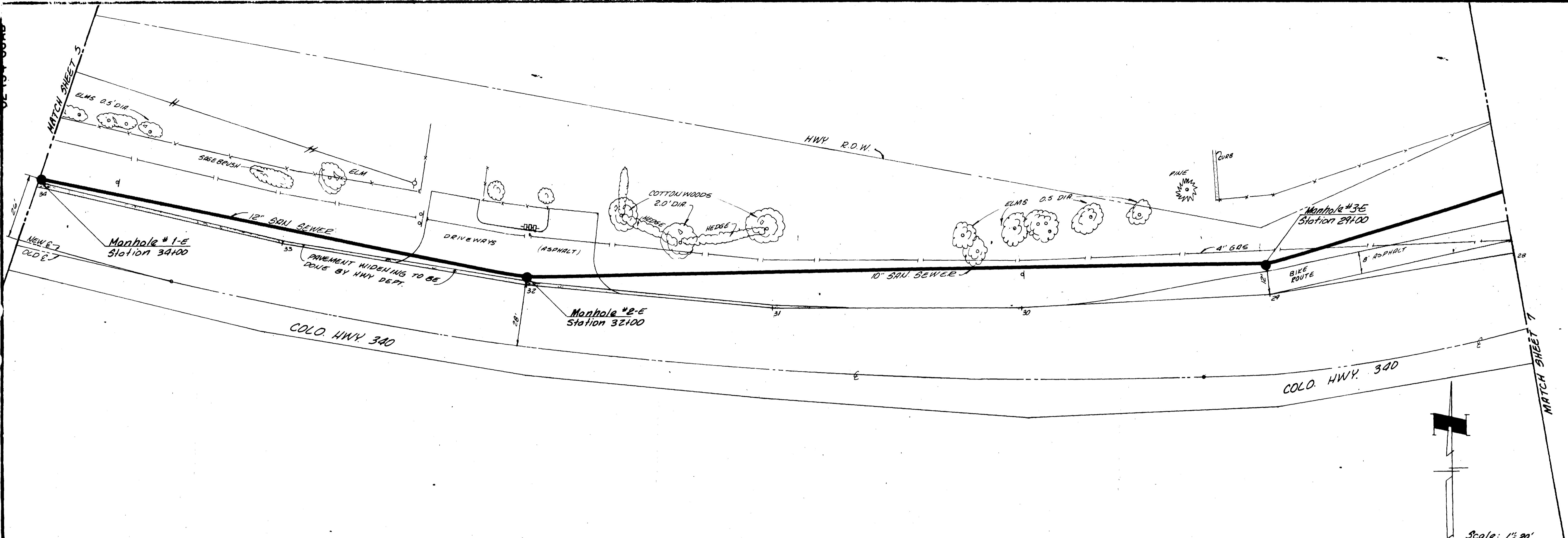
Station 34100 to Station 40100

THE RIDGES
 SALINITY SEWER OUTFALL LINE
 MESA COUNTY, COLORADO

5
 13

REVISED SEPT. 15, 1977

02-134-0640



ROBERT F. GEARLDS

SCALE: VERT. FEET 1" = 20' HORIZ.

Station 28+00 to Station 34+00

THE RIDGES
SANITARY SEWER OUTFALL LINE
MESA COUNTY, COLORADO

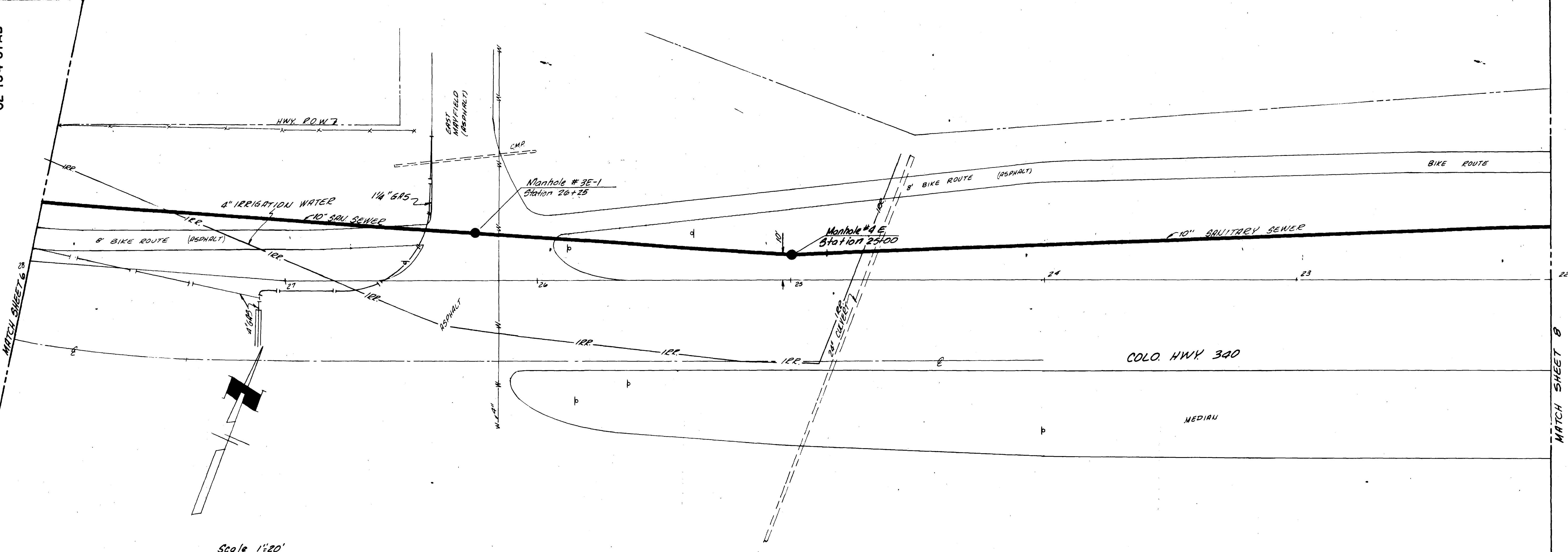
6

13

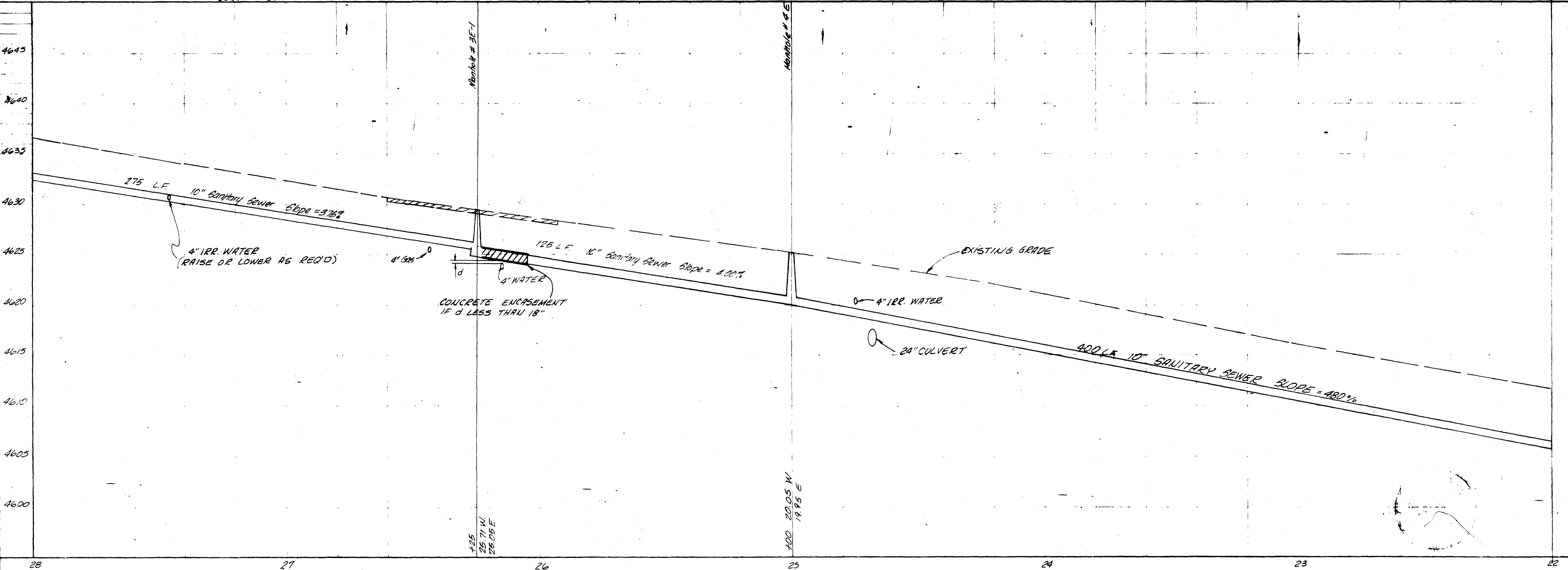
AS PER

REVISED SEPT 15, 1977

02-13407AB



Scale 1"=20'



ROBERT F. GERRITS

DATE: MAY 977
SCALE: 1"=20' HORIZ.
1"=20' VERT.

Station 22+00 to Station 28+00

THE RIDGES
SANITARY SEWER OUTFALL LINE
MESA COUNTY, COLORADO

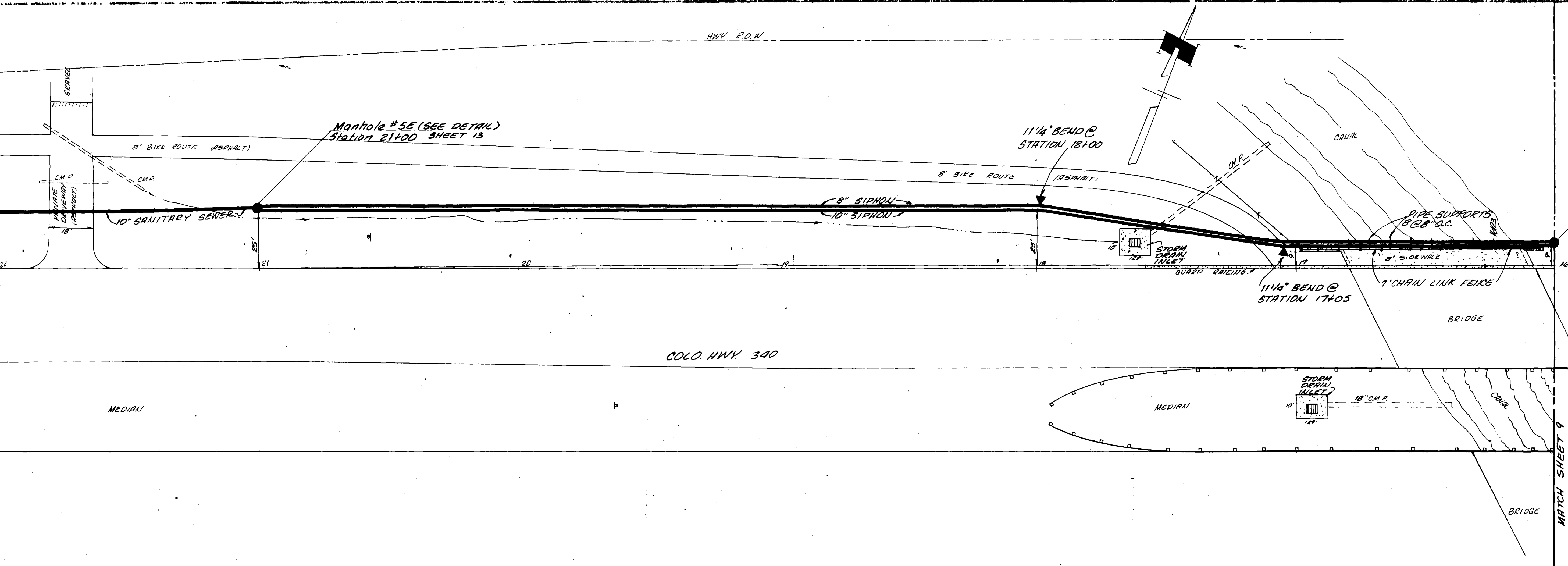
7
13

REVISED SEPT 15, 1977

02-134-06-10

MATCH SHEET 7

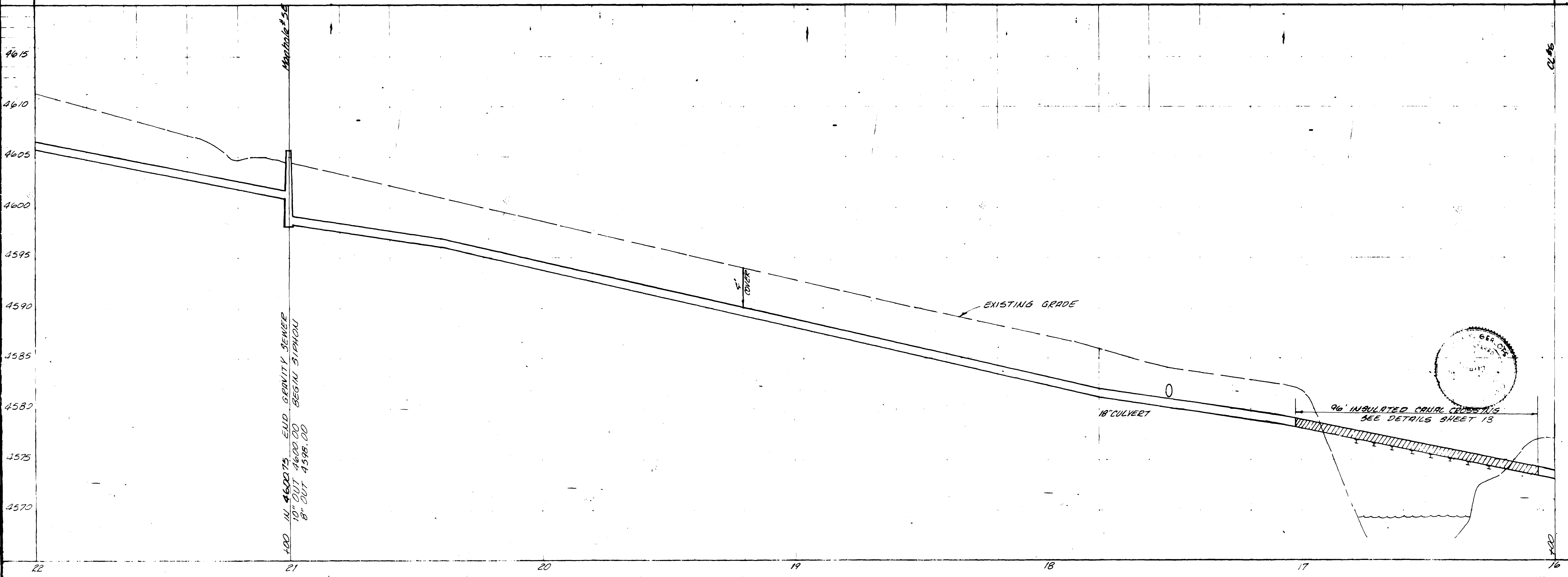
22



CL-6
Station
16+00

Scale 1"=20'

CL-6



Manhole #5E
 ADD AL 4600.75 END GRAVITY SEWER
 10" OUT 4600.00 BEGIN SIPHON
 8" OUT 4598.00



ROBERT J. GEALL, P.E.
No. 977
State of Colorado

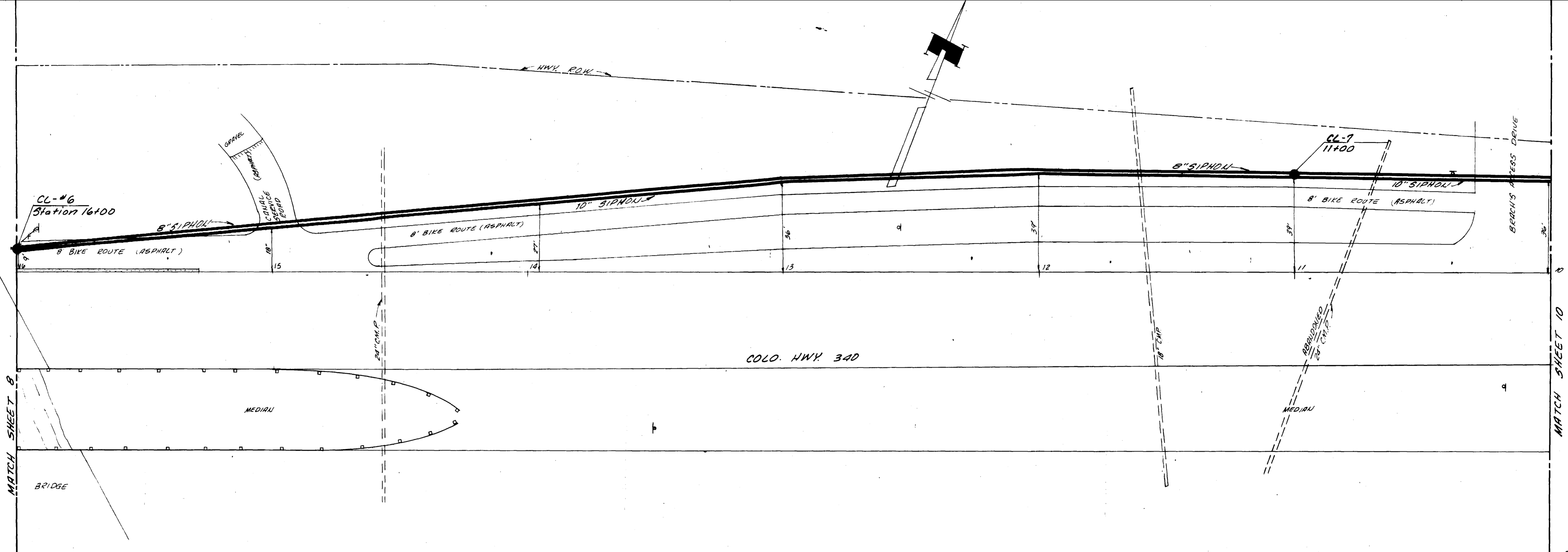
Station 16+00 to Station 22+00
 THE RIDGES
 SANITARY SEWER OUTFALL LINE
 MESA COUNTY, COLORADO

8
13

REVISED SEPT 15, 1977

02013408.tif

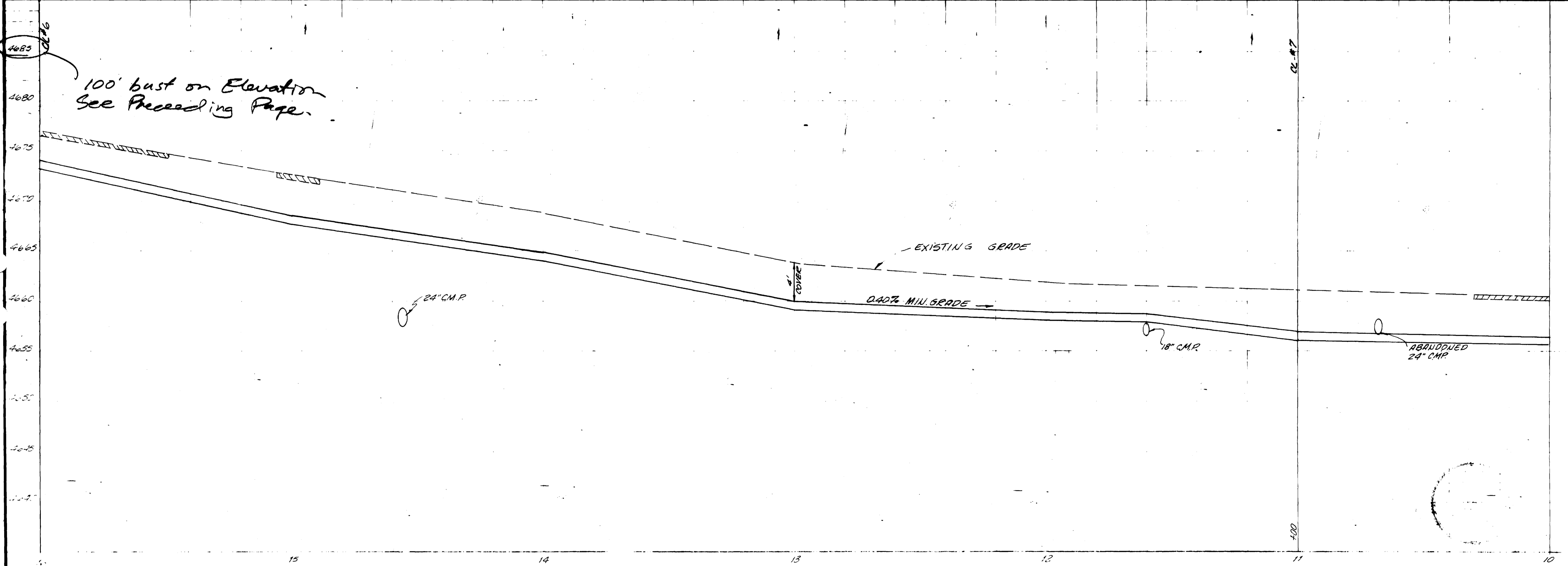
02-840



MATCH SHEET 8

MATCH SHEET 10

Scale 1"=20'



100' bump on Elevation
See Preceding Page.

4685
4680
4675
4670
4665
4660
4655
4650
4645
4640

4685
4680
4675
4670
4665
4660
4655
4650
4645
4640

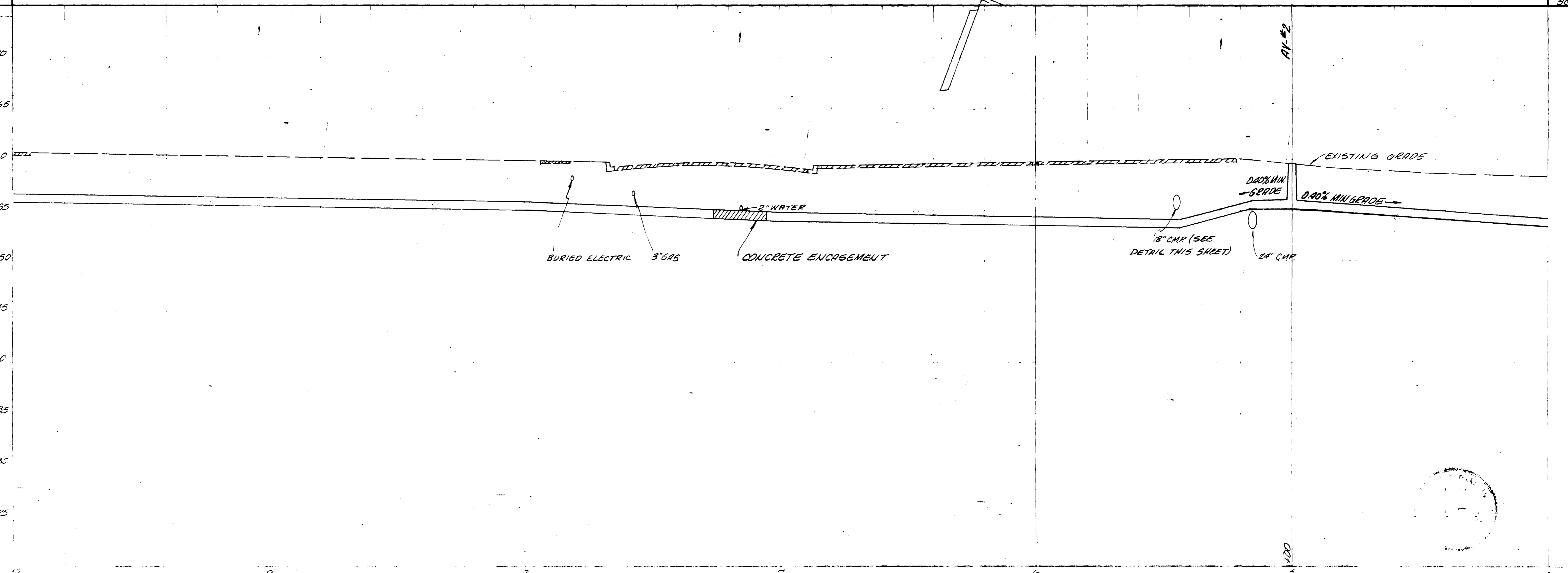
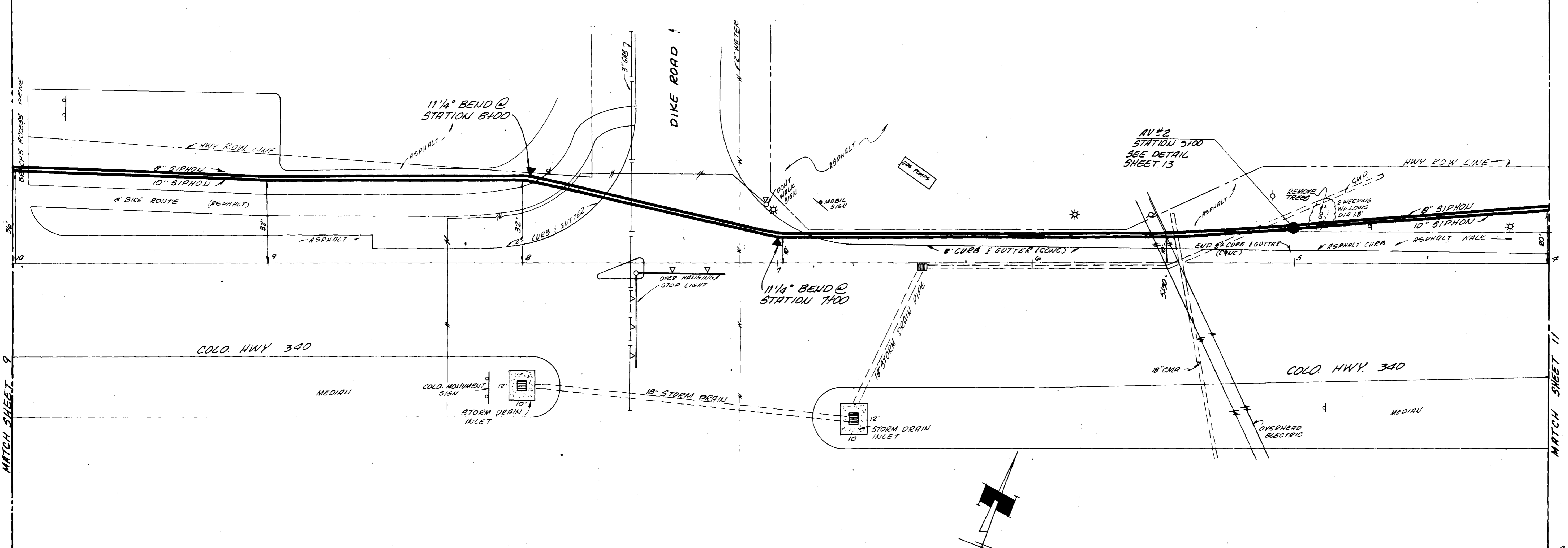
15 14 13 12 11 10

ROBERT F. GELDES

SCALE 1"=20'

Station 10+00 to Station 16+00

THE RIDGES
24" SEWER OUTFALL LINE
SOUTH COUNTY, COLORADO



MATCH SHEET 9

MATCH SHEET 11

Scale 1"=20'

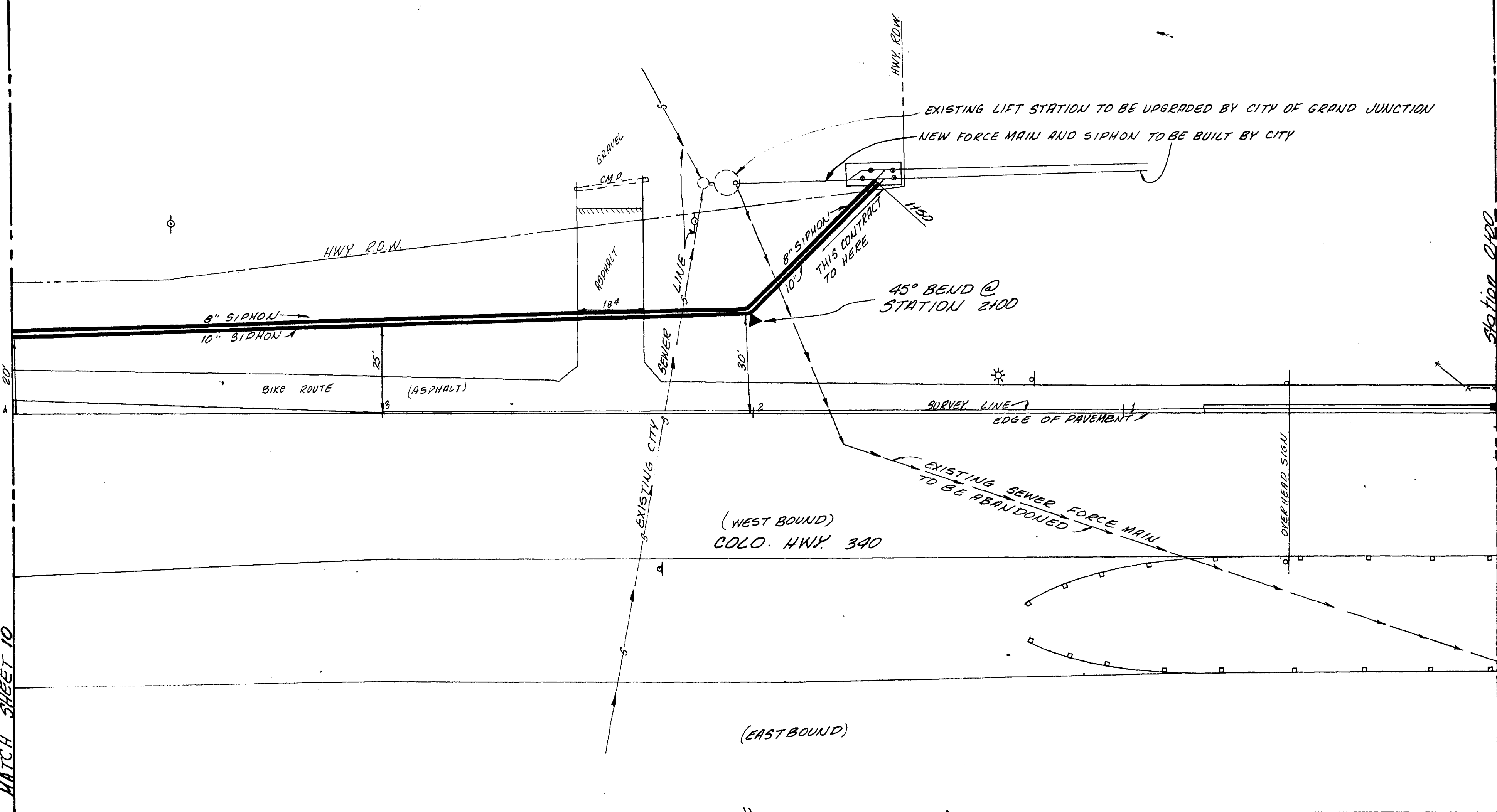
ROBERT L. JONES

1 1/2" SHEET 1"=20' HORIZ.

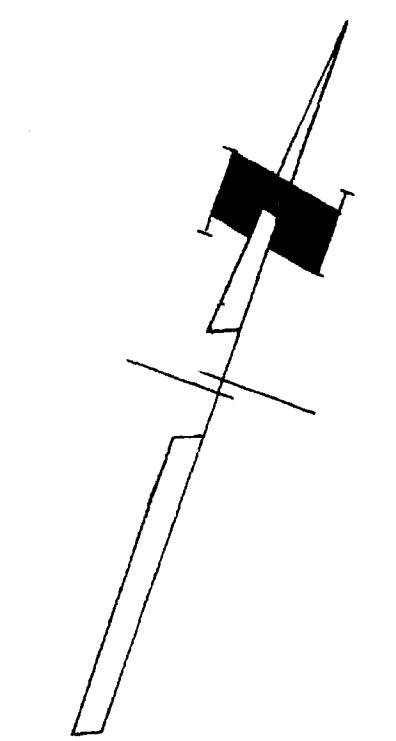
Station 4+00 to Station 10+00

THE RLAGES' 127 SEASE OUTERALL LINE SA COUNTY, COLORADO

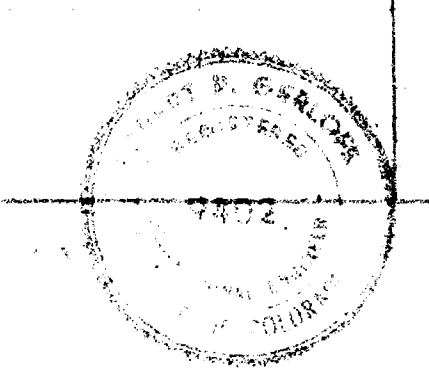
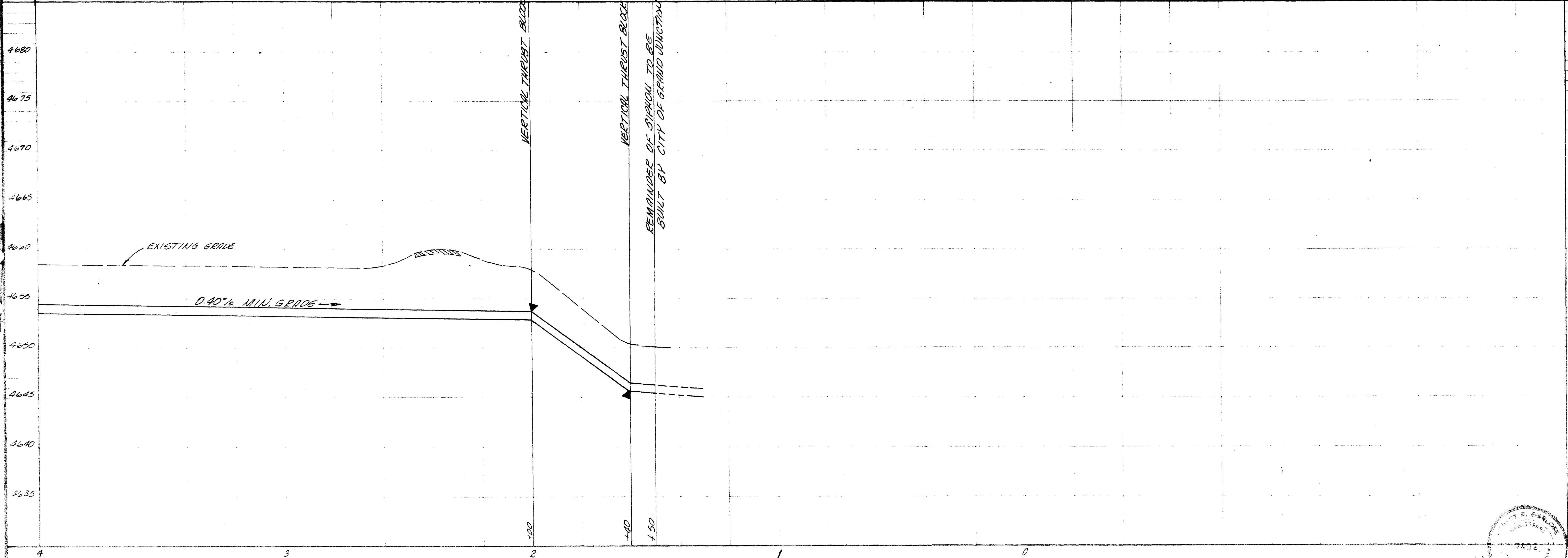
10 13

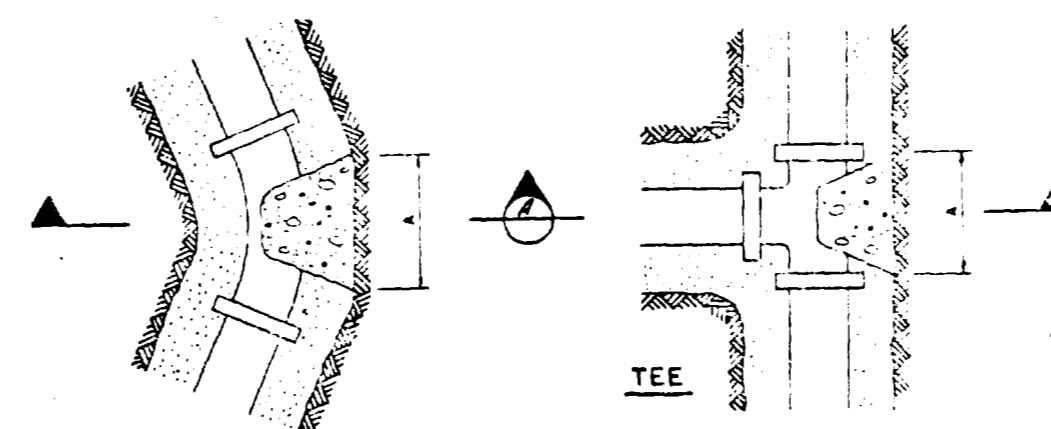
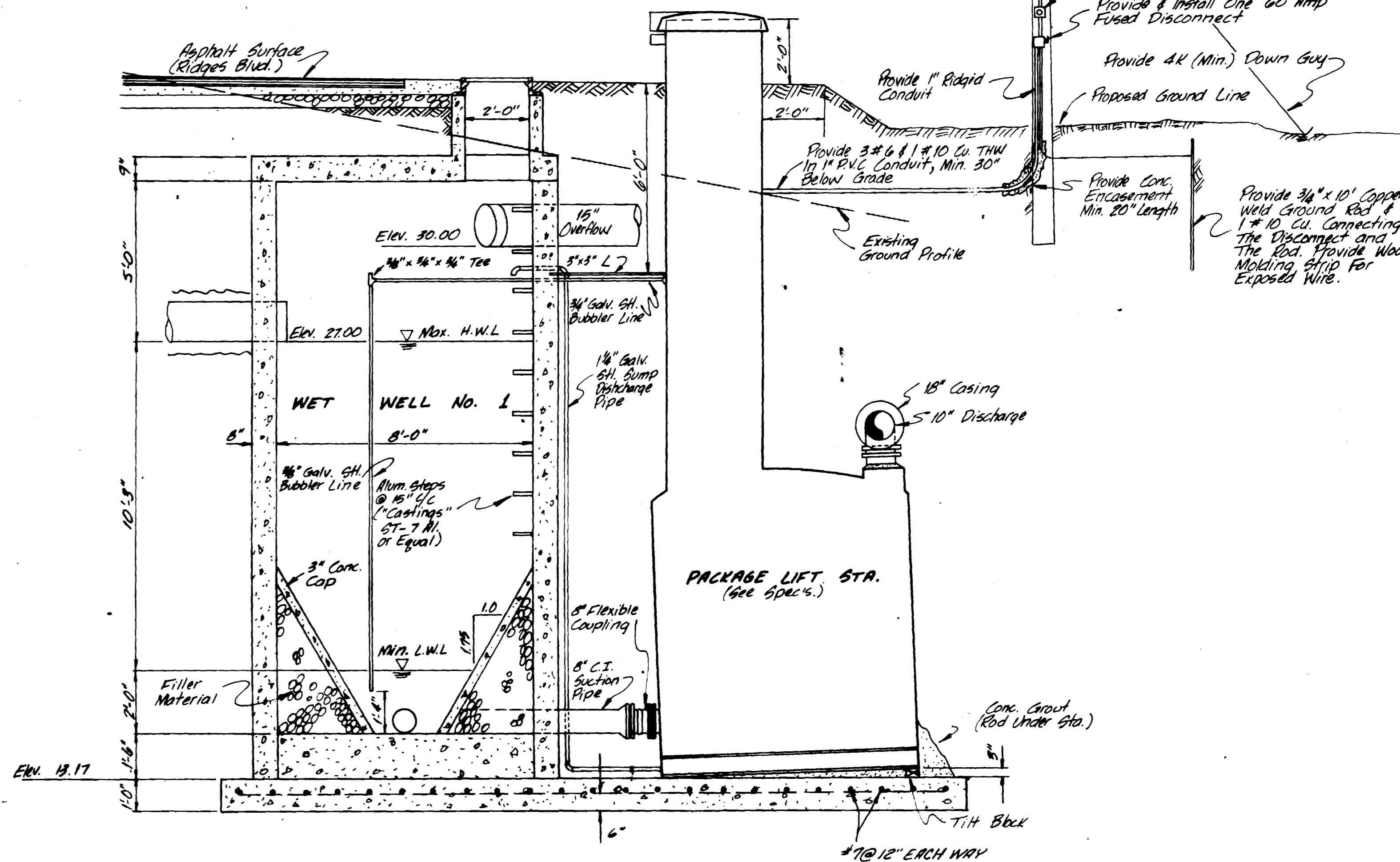
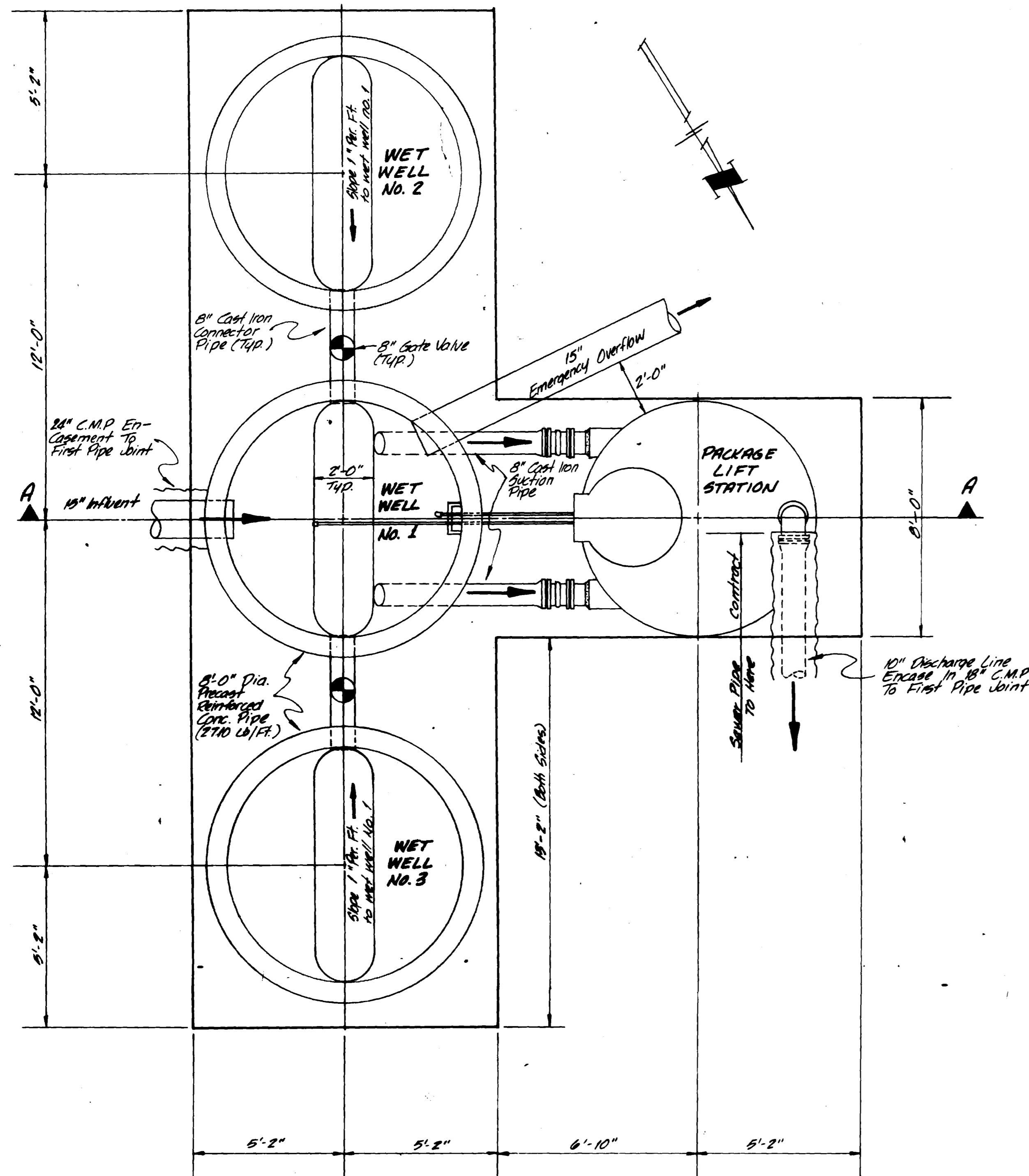


BEACH MARK
 " LOCATION ON SOUTH SIDE OF SIDEWALK, NORTH
 OF RETAINING WALL, ELEV. 4562.12
 ALSO USED AS STATION 0+00



Scale 1"=20'

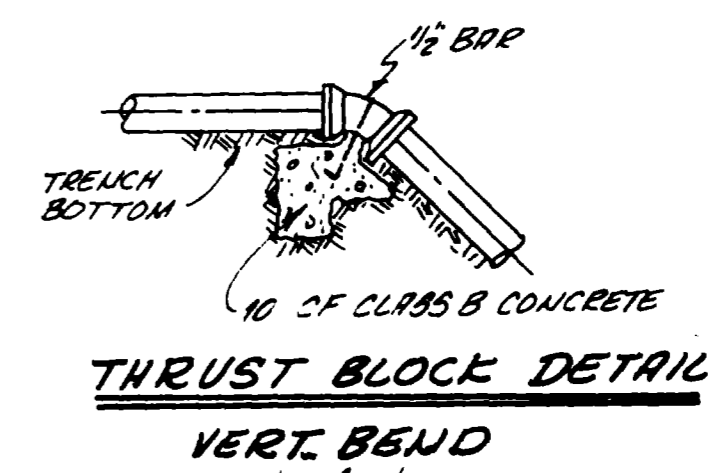




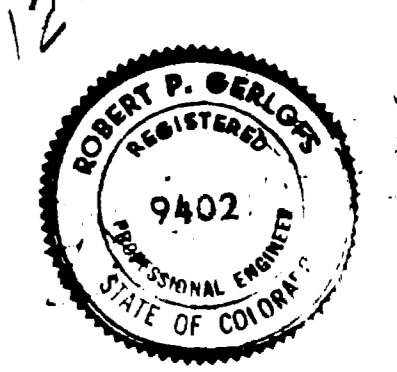
MINIMUM THRUST BLOCK DIMENSIONS

SIZE OF PIPE	A	B	C
8"	1'-6"	1'-6"	2'-0"
10"	2'-0"	1'-6"	3'-0"

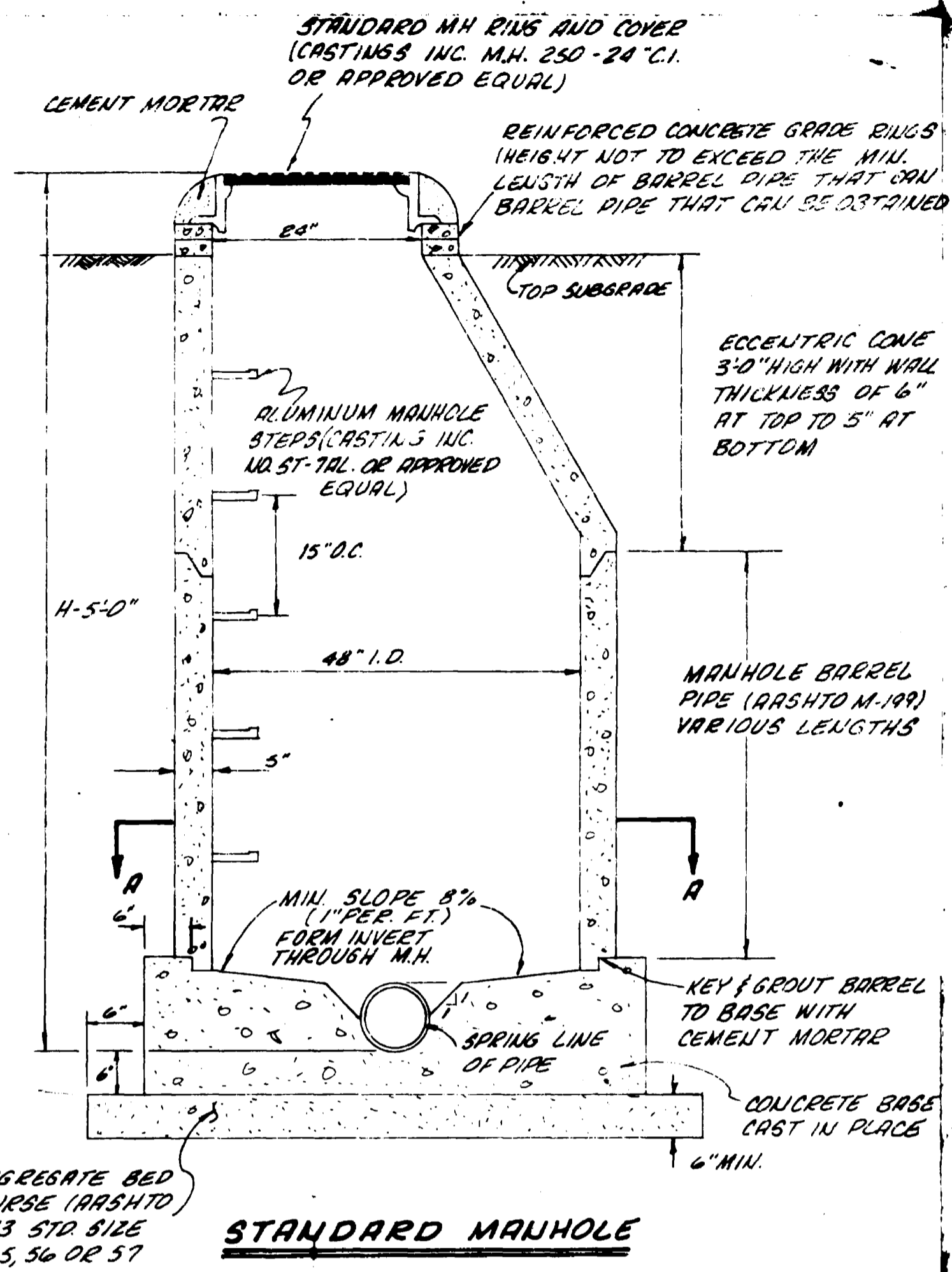
CONCRETE TO BE CLASS B



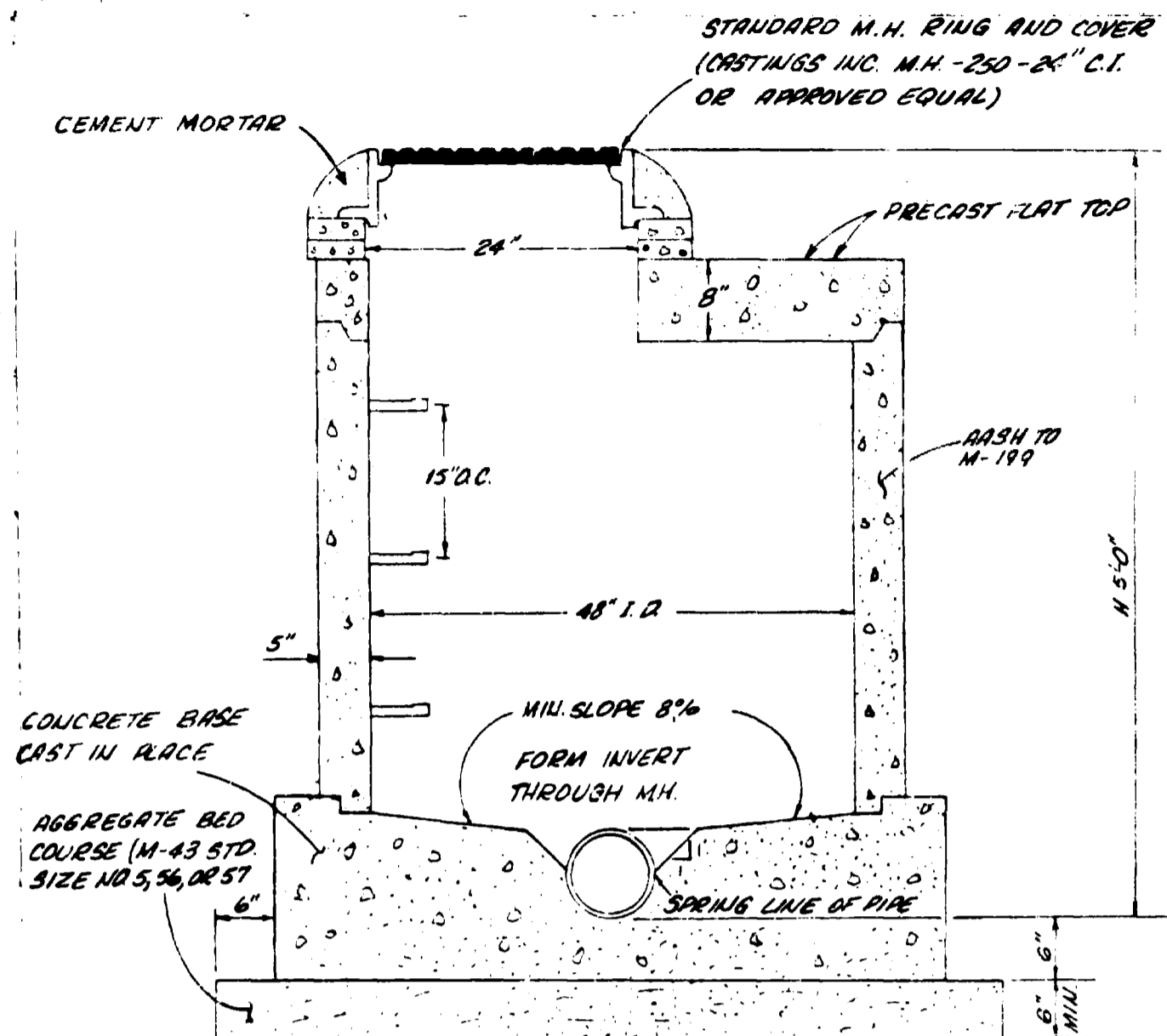
VOID
SEE SHEET 12-A



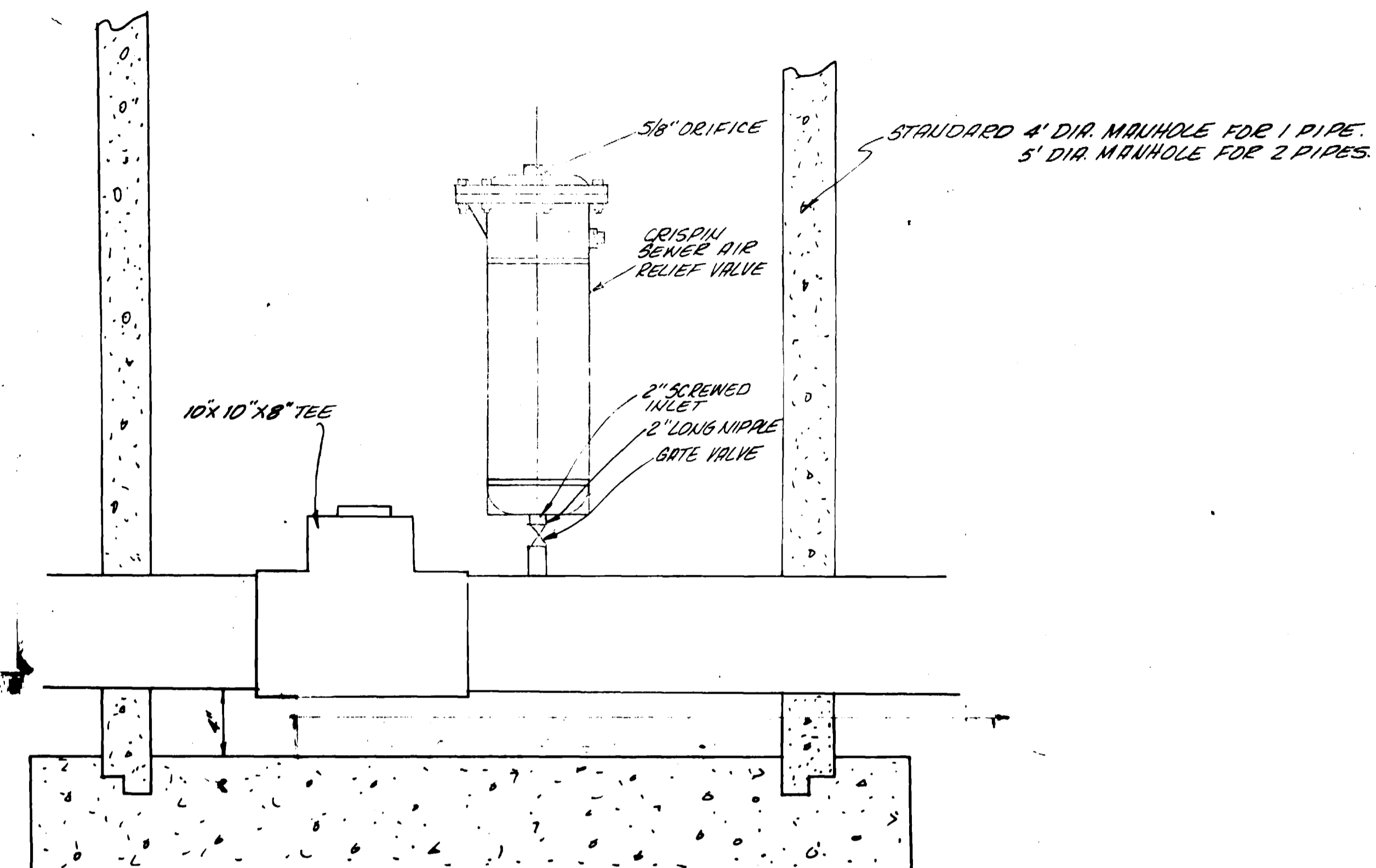
02-134-12-A
 THE RIDGES
 SANITARY SEWER, OUTFALL LINE
 MESA COUNTY, COLORADO
 ROBERT P. GERLOFS
 Engineering Consultant
 DATE: APR 1977
 SCALE: AS SHOWN
 LIFT STATION DETAIL
 AND
 THRUST BLOCK DETAIL
 SHEET
 12
 OF 13



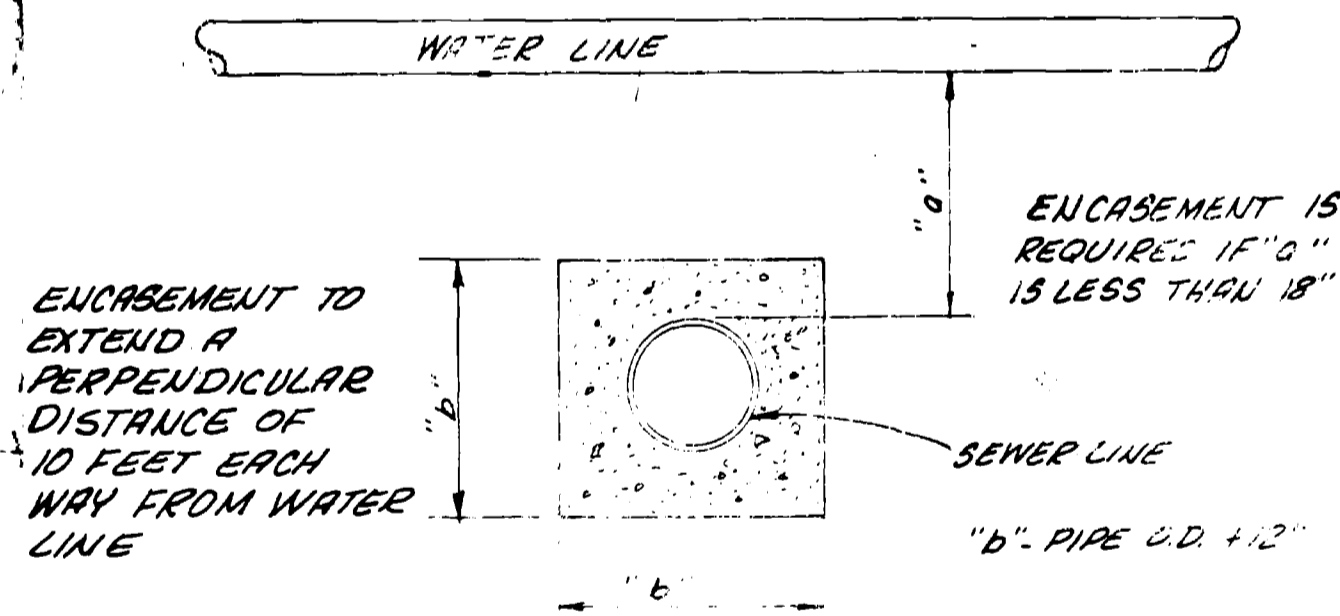
STANDARD MANHOLE



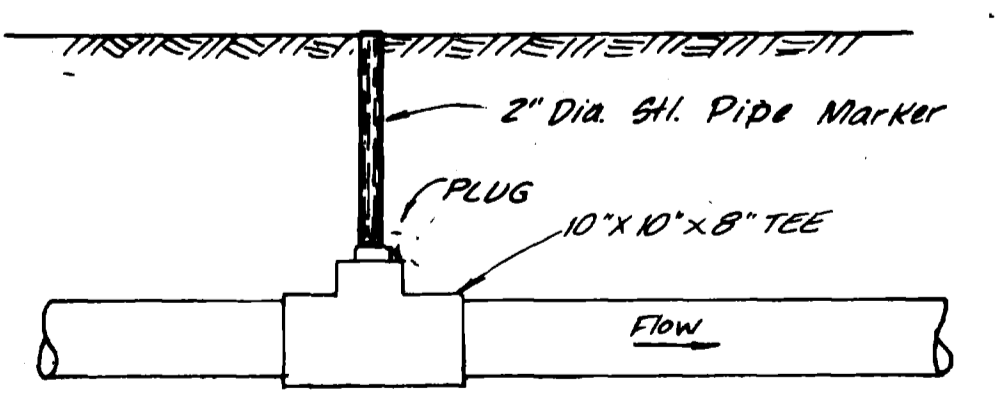
STANDARD SHALLOW MANHOLE



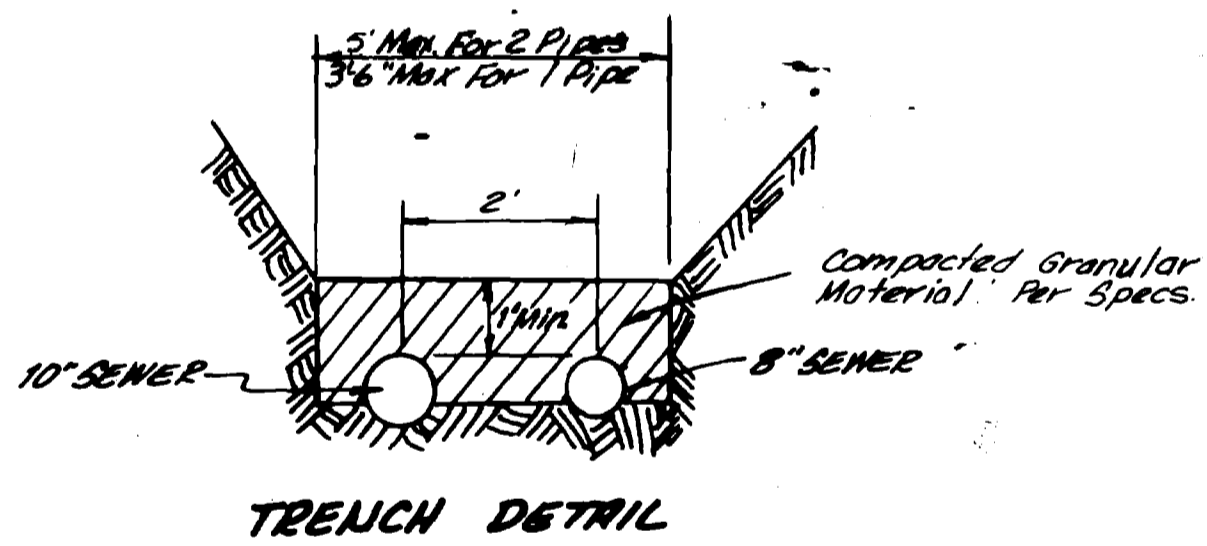
AIR RELIEF VALVE



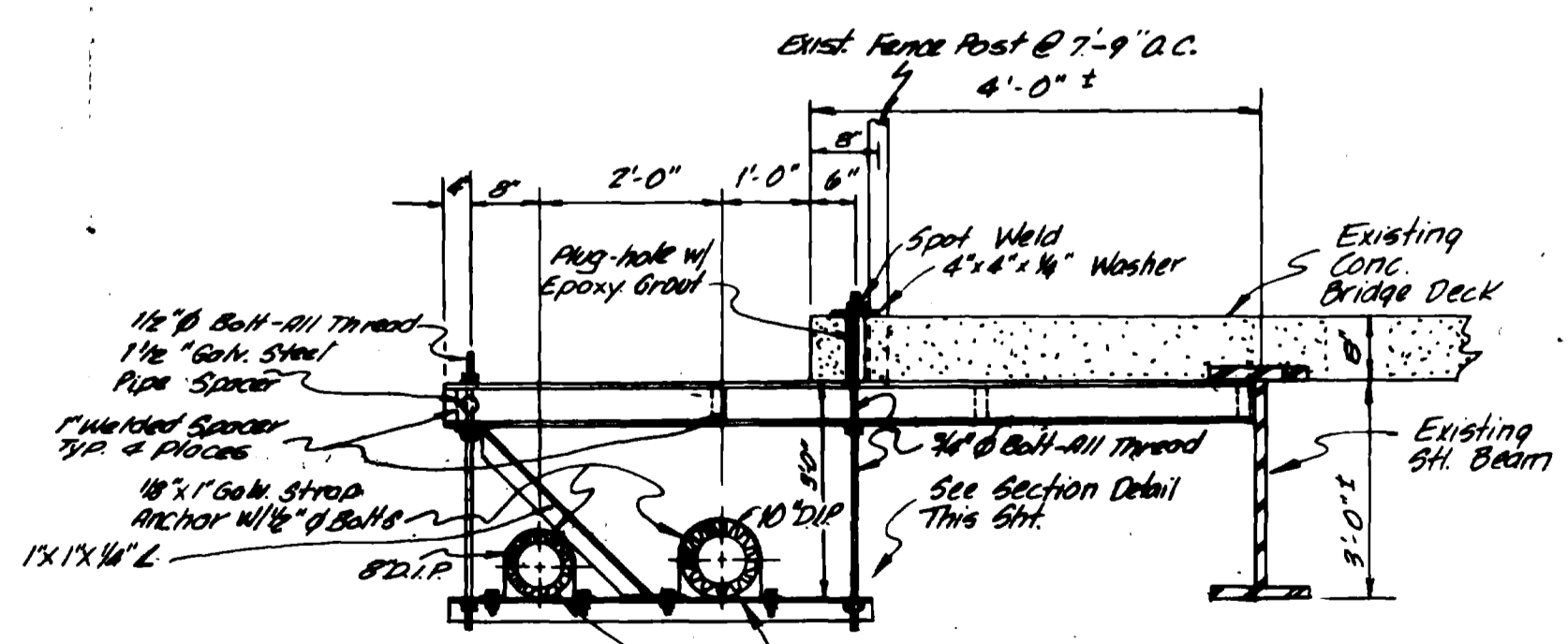
SEWER LINE ENCASEMENT DETAIL



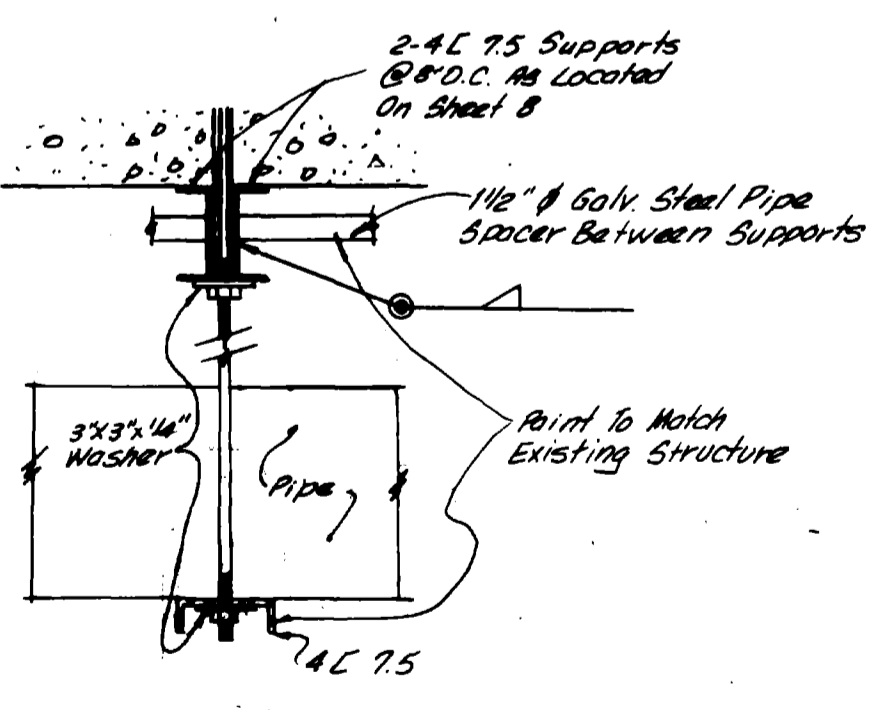
CLEANOUT DETAIL
Scale: 1/2" = 1'-0"



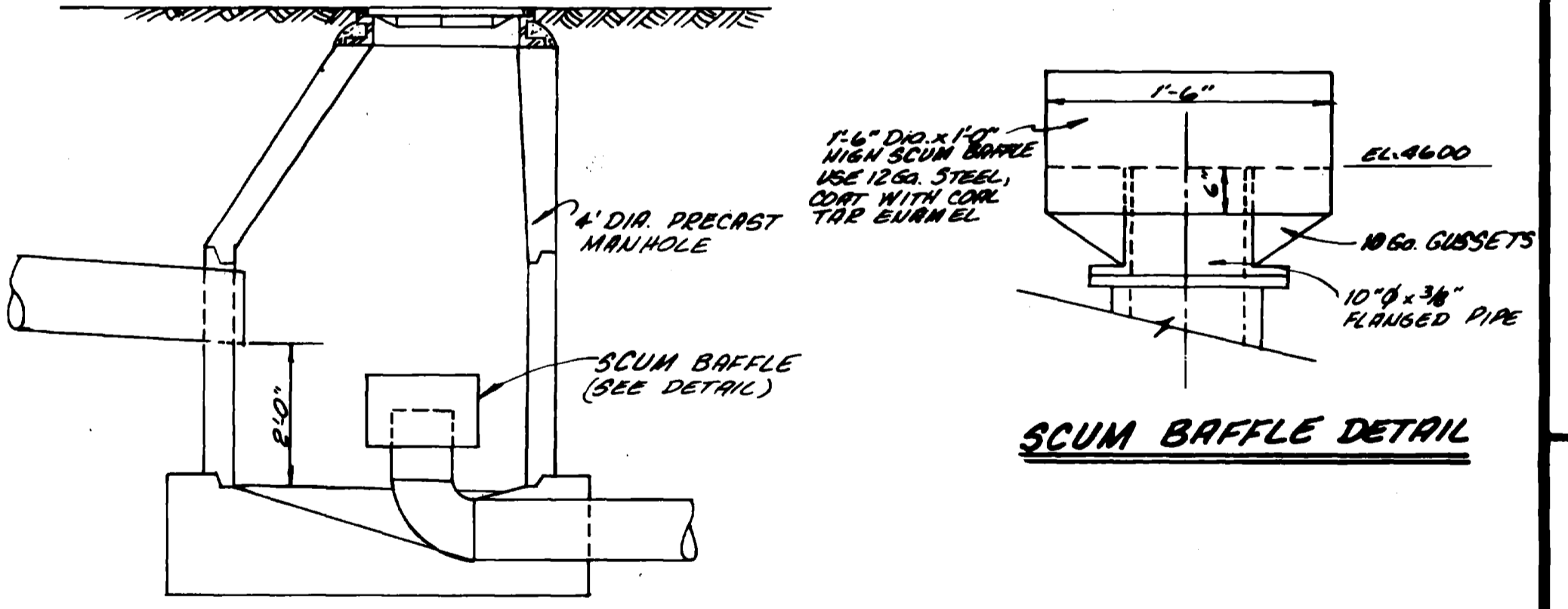
TRENCH DETAIL



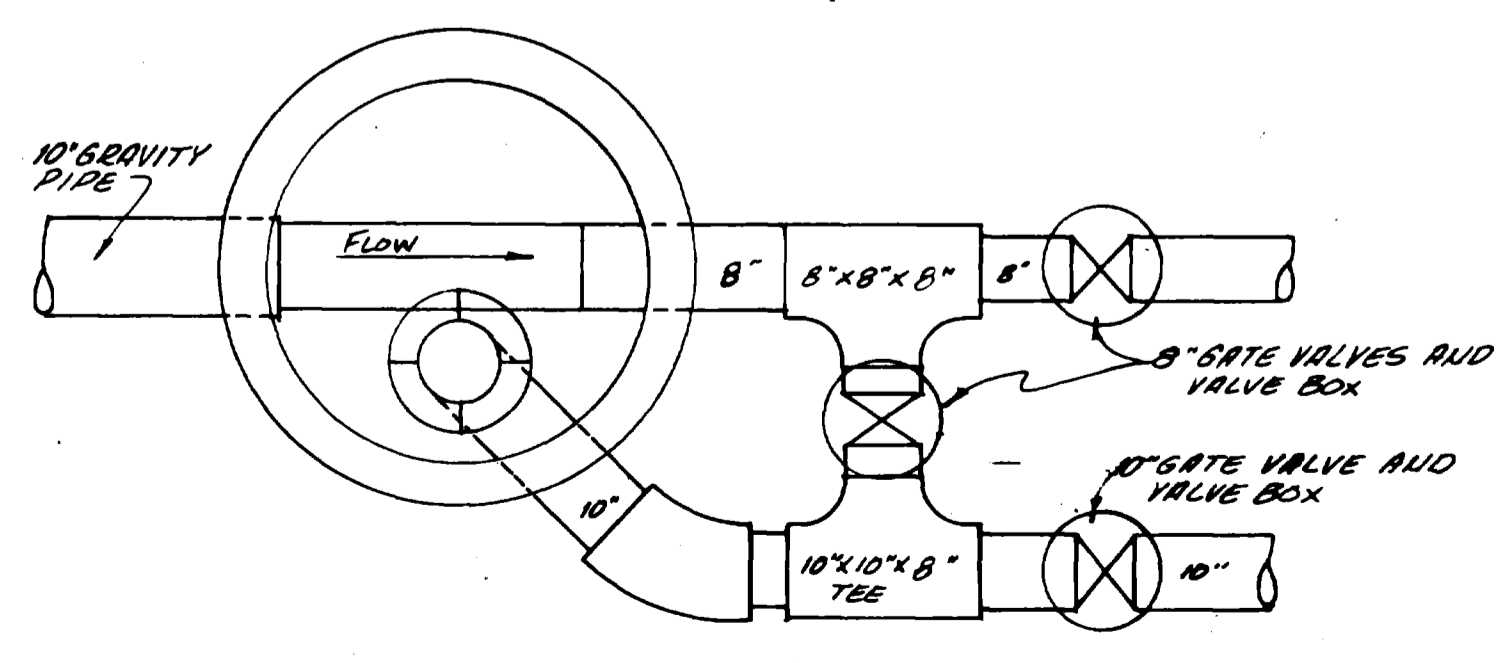
PIPE SUPPORT DETAIL
Revised Aug. 8, 1977



SECTION DETAIL



SCUM BAFFLE DETAIL

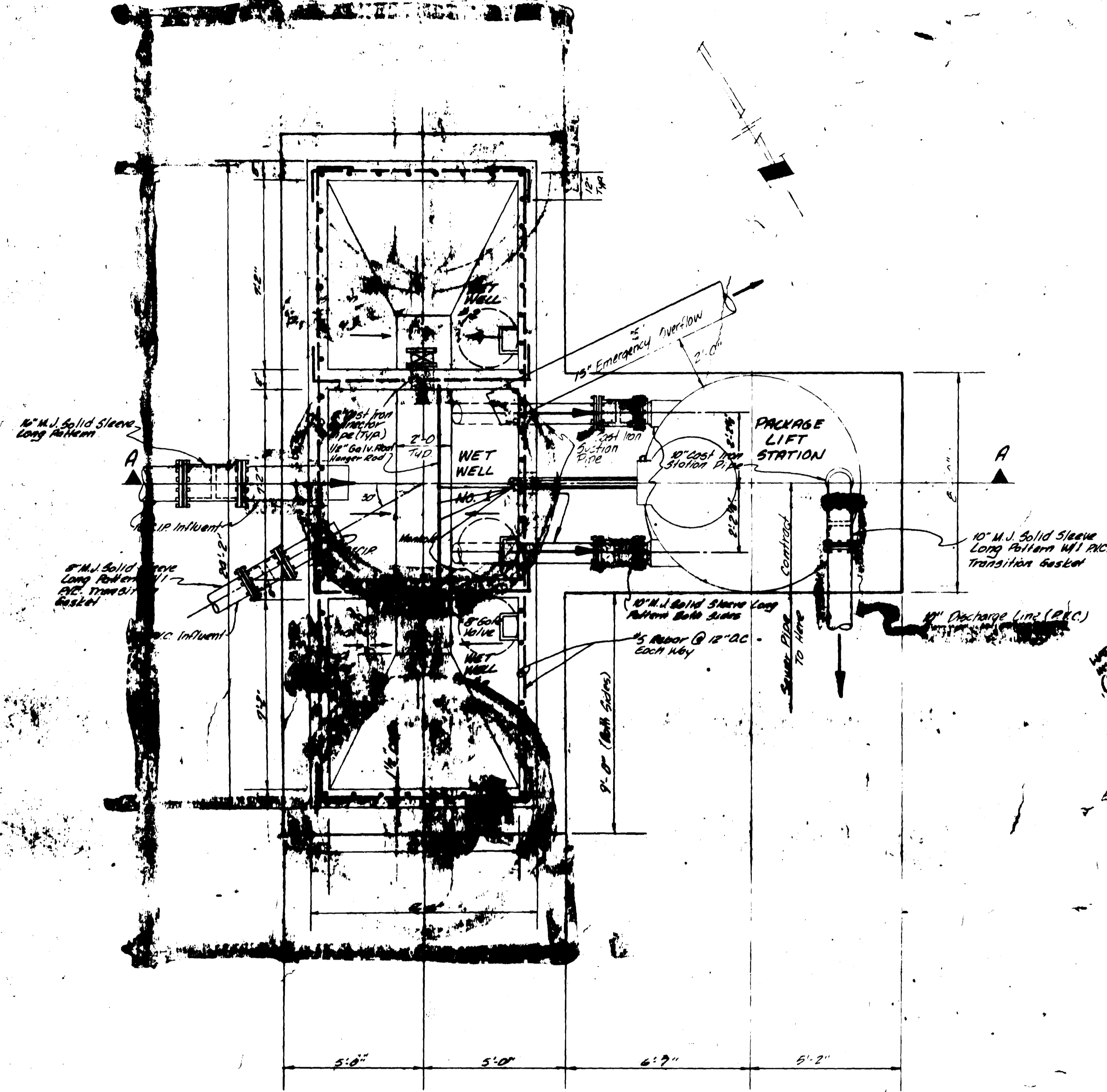


MANHOLE #5 PIPING DETAIL
Scale: 1" = 2'-0"

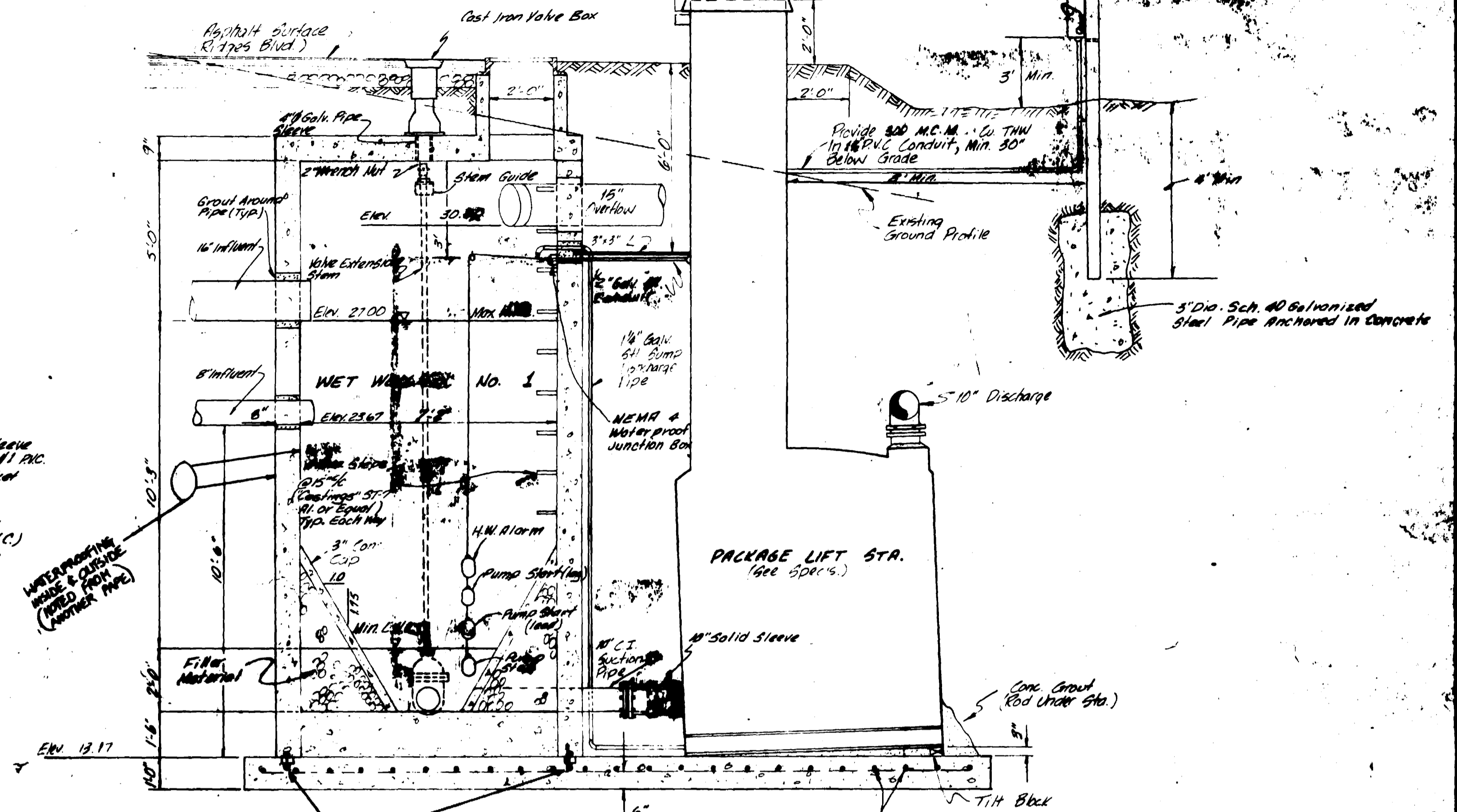
PO BOX 2872 GRAND JUNCTION COLORADO 81501 PHONE 243-8966
 DATE: MAR. 1977
 SCALE: AS SHOWN
 ROBERT F. GERLOFS
 Engineering Consultants
 DETAILS
 THE RIDGES SEWER OUTFALL LINE
 MESA COUNTY, COLORADO



AS BUILT DRAWINGS

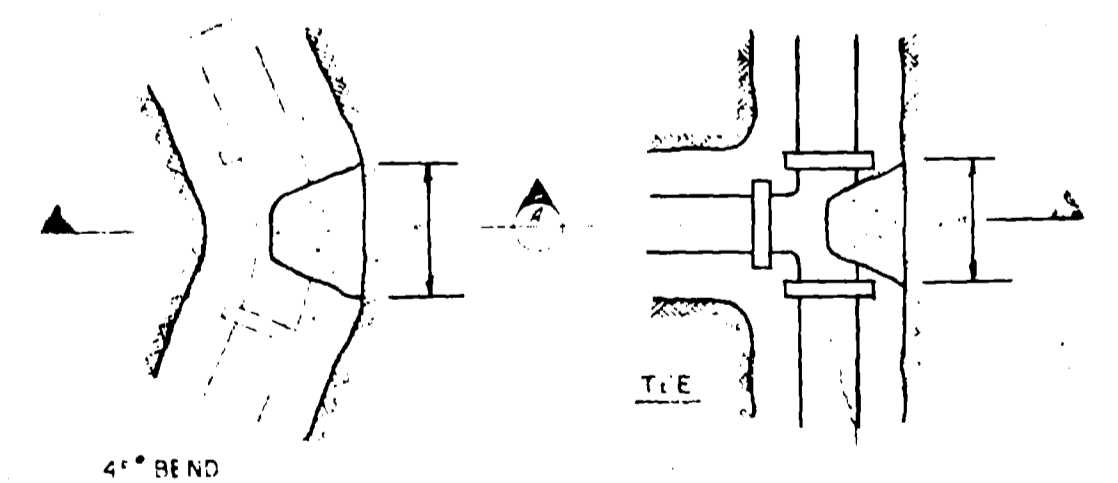


LIFT STATION PLAN
Scale: 3/8" = 1'-0"



LIFT STATION SECTIONAL ELEVATION A-A
Scale: 3/8" = 1'-0"

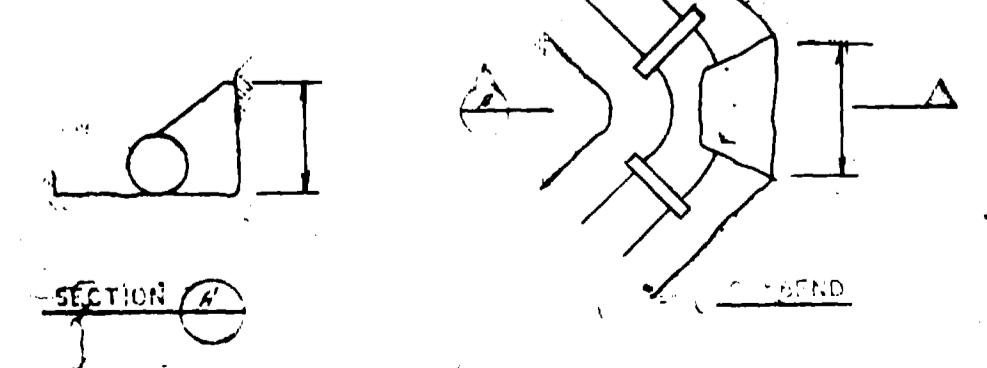
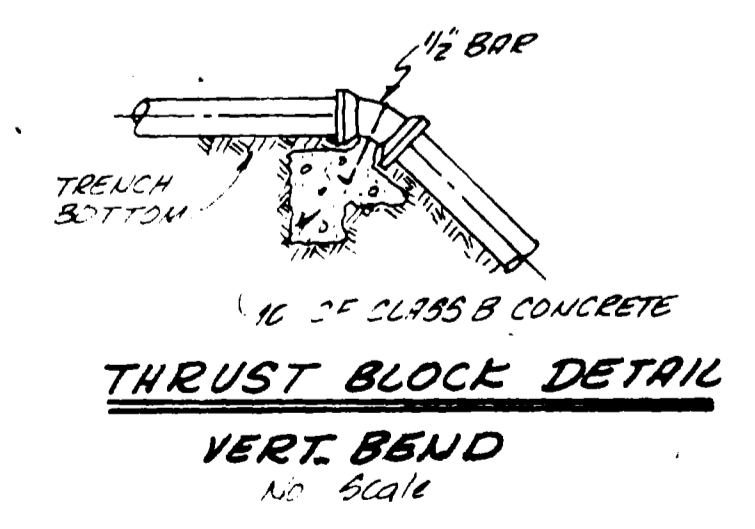
Note: Lift Station Including Slab and Wet Wells are Not to be Bid as Part of the Sewer Pipe Contract.



MINIMUM THRUST BLOCK DIMENSIONS

SIZE OF PIPE	A	B	C
8"	1'-6"	1'-6"	2'-6"
10"	2'-0"	1'-6"	4'-0"

CONCRETE TO BE CLASS B



THRUST BLOCK DETAILS

REVISED AUG. 23, 1977
AS BUILT DRAWINGS



ROBERT P. BERLOFF
 LICENSE NO. 9302
 STATE OF COLORADO
 LIFT STATION DETAIL
 TRINITY BARGE DETAIL

THE RIDGES
 SAUTRY SEWER OUTFALL LINE
 MESA COUNTY, COLORADO