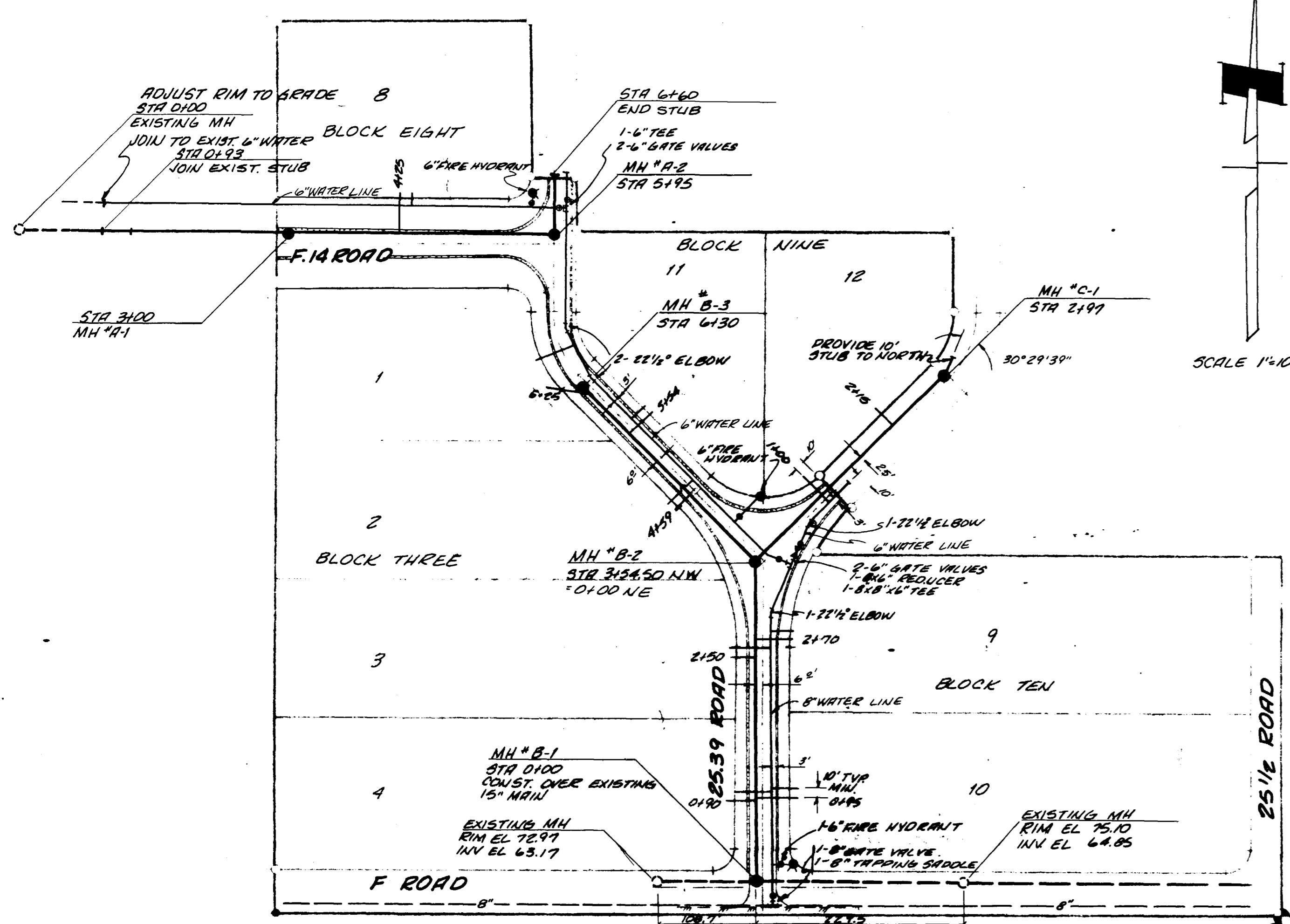
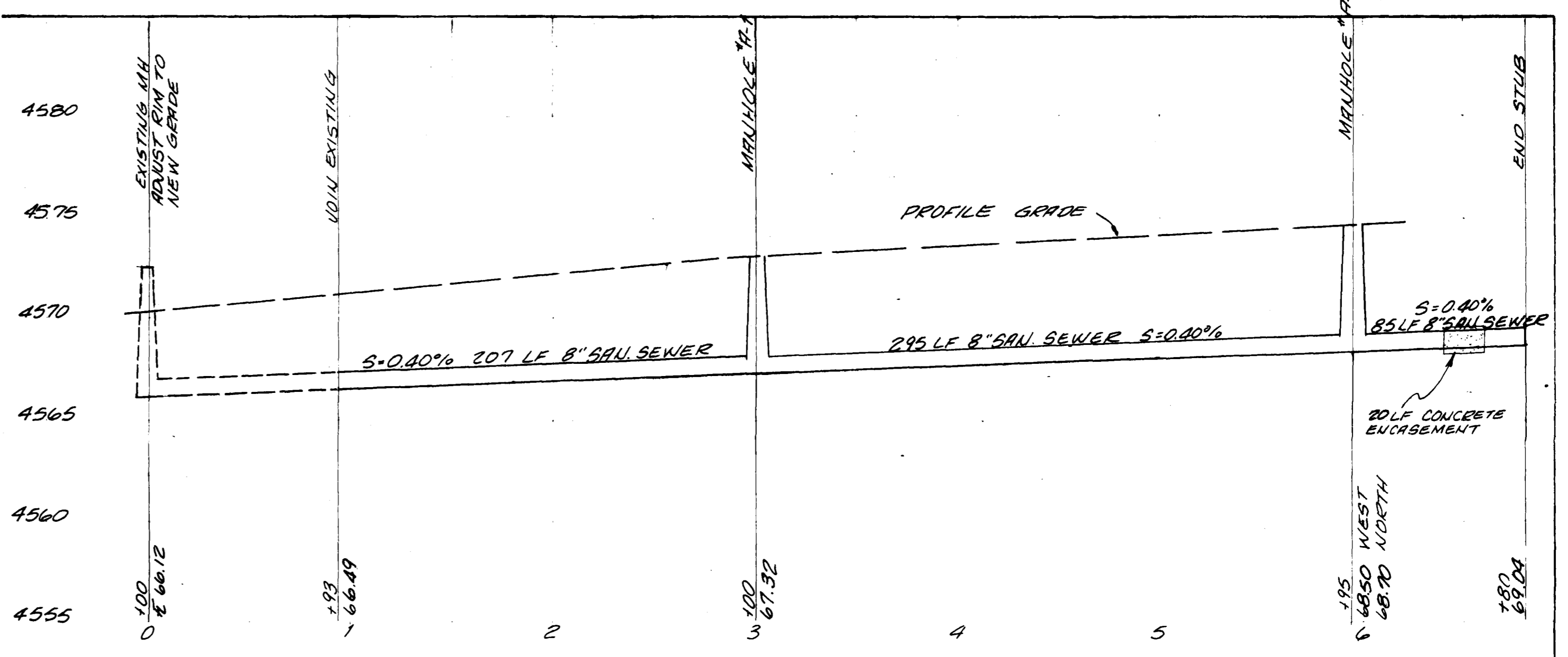


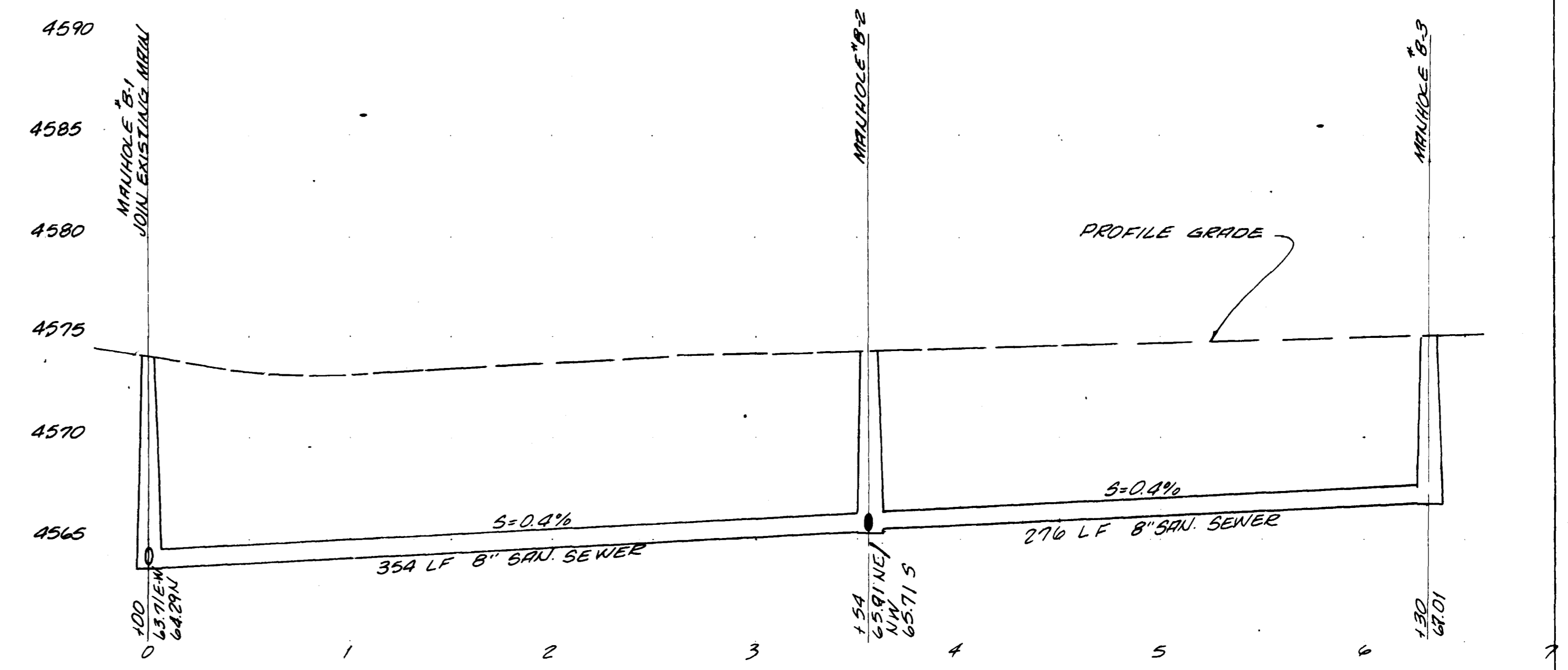
FORESIGHT PARK FOR INDUSTRY-FILING NO TWO
 MESA COUNTY, COLORADO
 WATER AND SANITARY SEWER PLAN



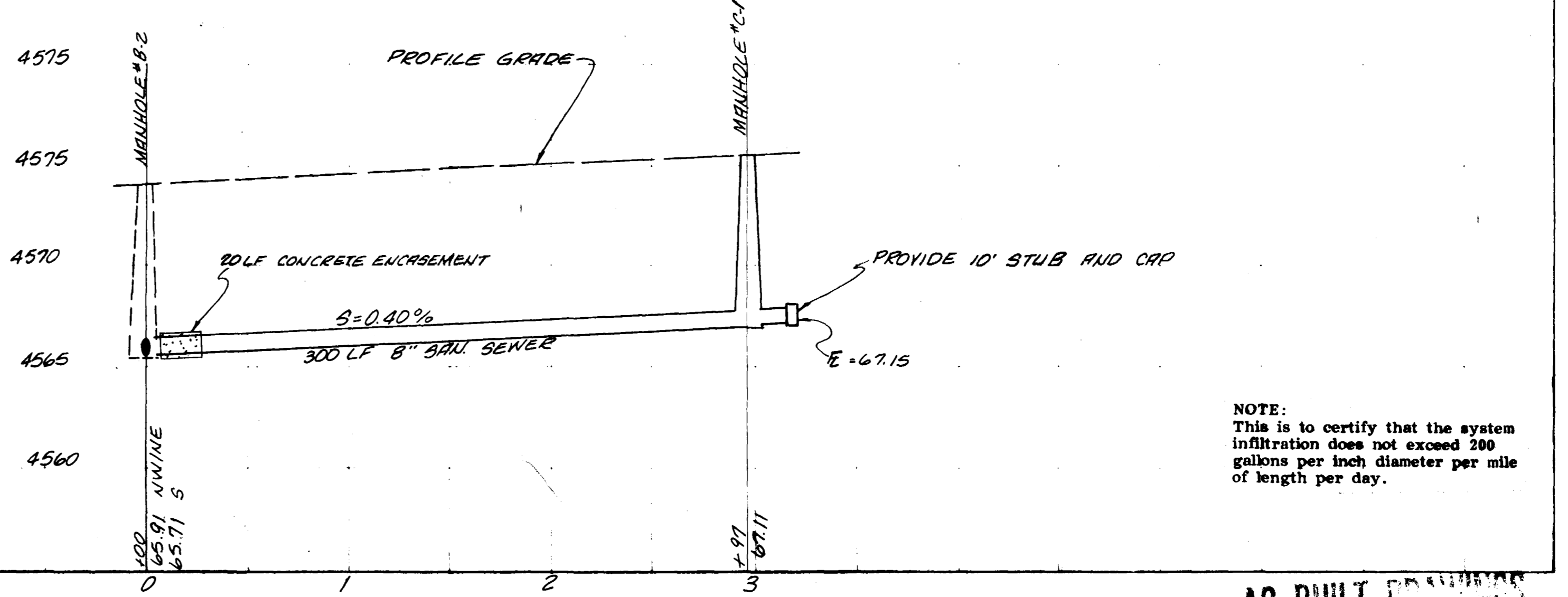
SCALE 1"=100'



LINE A
Scale 1"=5' VERT.
1"=50' HORIZ.



LINE B



LINE C

- | | |
|---|---|
| <p>WATER QUANTITIES</p> <p>400 LF - 8" WATER LINE</p> <p>1160 LF - 6" WATER LINE</p> <p>4 - 6" GATE VALVES</p> <p>1 - 8" GATE VALVES</p> <p>1 - 8"x8" TEE</p> <p>1 - 8"x6" REDUCER</p> <p>1 - 8" TAPPING SADDLE</p> <p>3 - 6" FIRE HYDRANT & GATE VALVES</p> <p>1 - 8" 22 1/2° ELBOW</p> <p>9 - 2" SERVICE CONNECTION</p> <p>1 - 6" TEE 6"x6"x6"</p> <p>3 - 6" 22 1/2° ELBOW</p> | <p>SEWER QUANTITIES</p> <p>1504 LF - 8" SANITARY SEWER</p> <p>6 - STANDARD MANHOLES</p> <p>9 - 6" SERVICE CONNECTION</p> |
|---|---|

GENERAL NOTES

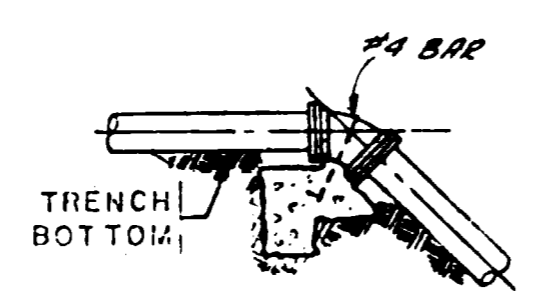
1. ALL CONSTRUCTION TO BE DONE IN ACCORDANCE WITH THE CITY OF GRAND JUNCTION SPECIFICATIONS
2. TOP OF ECCENTRIC CONE TO BE SET @ TOP OF SUBGRADE (STREET CONTRACTOR TO SET RIMS TO FINISH GRADE OF STREETS)
3. ALL WATER AND SEWER SERVICES TO EXTEND A MINIMUM OF 6' BEYOND PROPERTY LINE.
4. ALL WATER AND SEWER SERVICE MUST HAVE MINIMUM OF 10' SEPERATION.

NOTE:
This is to certify that the system infiltration does not exceed 200 gallons per inch diameter per mile of length per day.

AS BUILT DRAWINGS
APPROVED _____ DATE _____
CITY OF GRAND JUNCTION

TABLE OF BEARING AREAS IN SQ. FT. FOR CONCRETE THRUST BLOCKING

SIZE	BENDS				TEES	GATE VALVES	DEAD ENDS
	90°	45°	22 1/2°	11 1/4°			
3	1.0	0.6	0.3	0	0.7	0.5	0.7
4	1.8	1.0	0.5	0	1.3	0.5	1.3
6	4.0	2.2	1.1	0	2.8	0.7	2.8
8	7.1	3.8	2.0	1.0	5.0	2.4	5.0
10	11.1	6.0	3.0	1.5	7.8	4.5	7.8
12	16.0	8.6	4.4	2.2	11.3	7.3	11.3

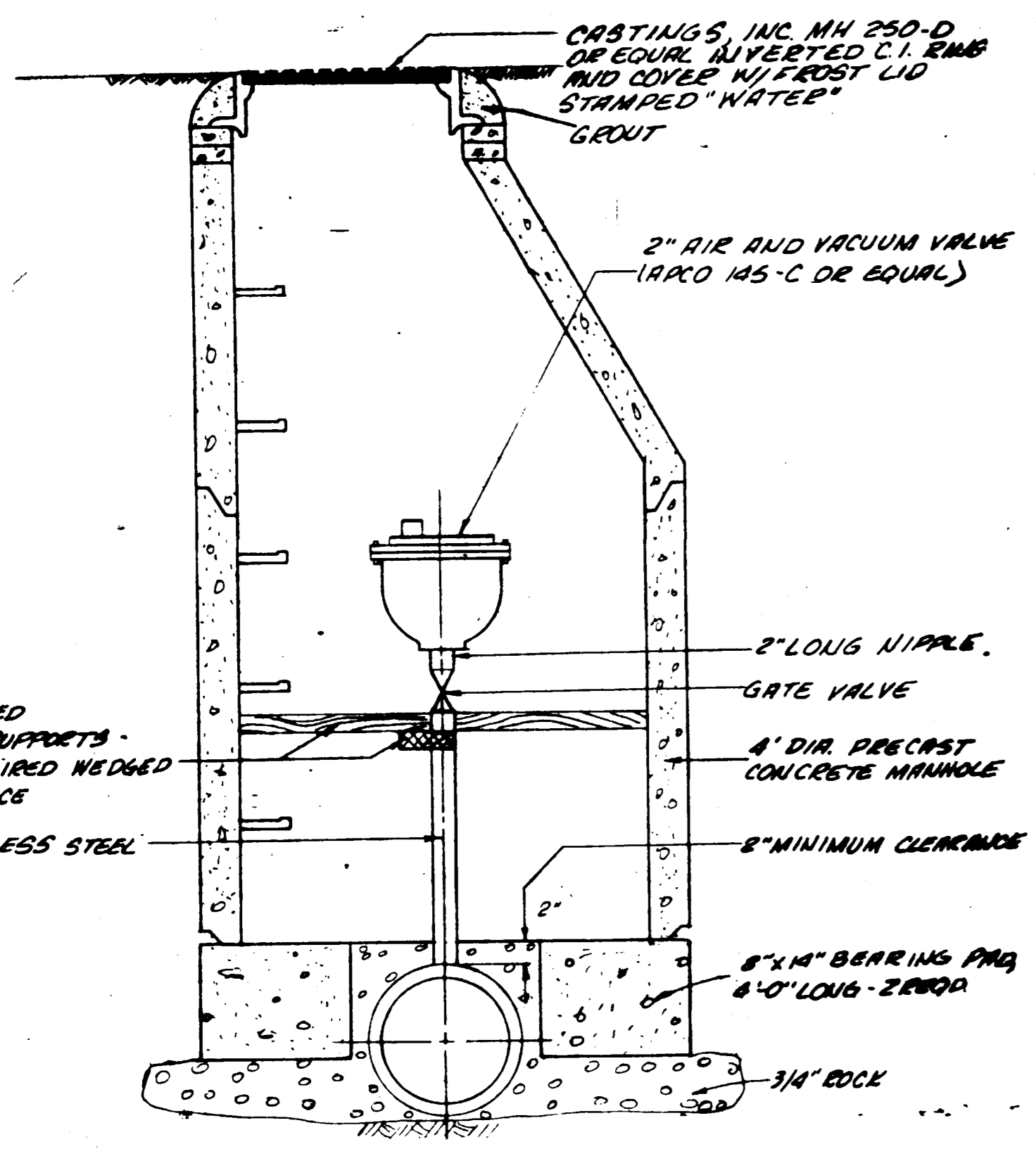


TOP OF VERT. BEND

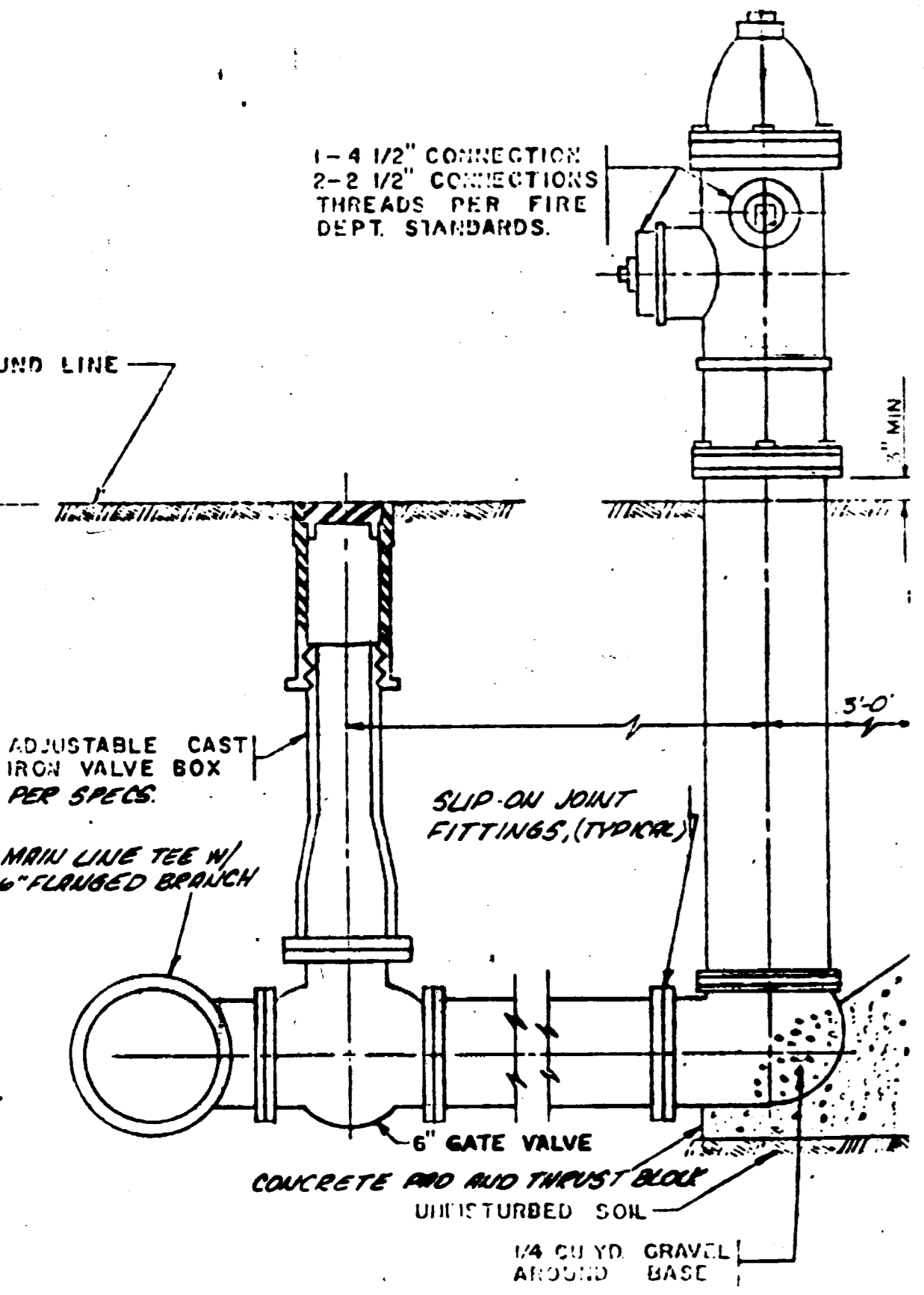
TABLE OF VOLUMES OF CONCRETE (IN CU. FT.)

SIZE	BEND		
	45°	22 1/2°	11 1/4°
3	7.4	3.8	1.8
4	13.0	6.6	2.9
6	29.2	15.0	7.4
8	52.0	26.4	13.2
10	81.0	41.4	20.4
12	117.0	60.0	29.6

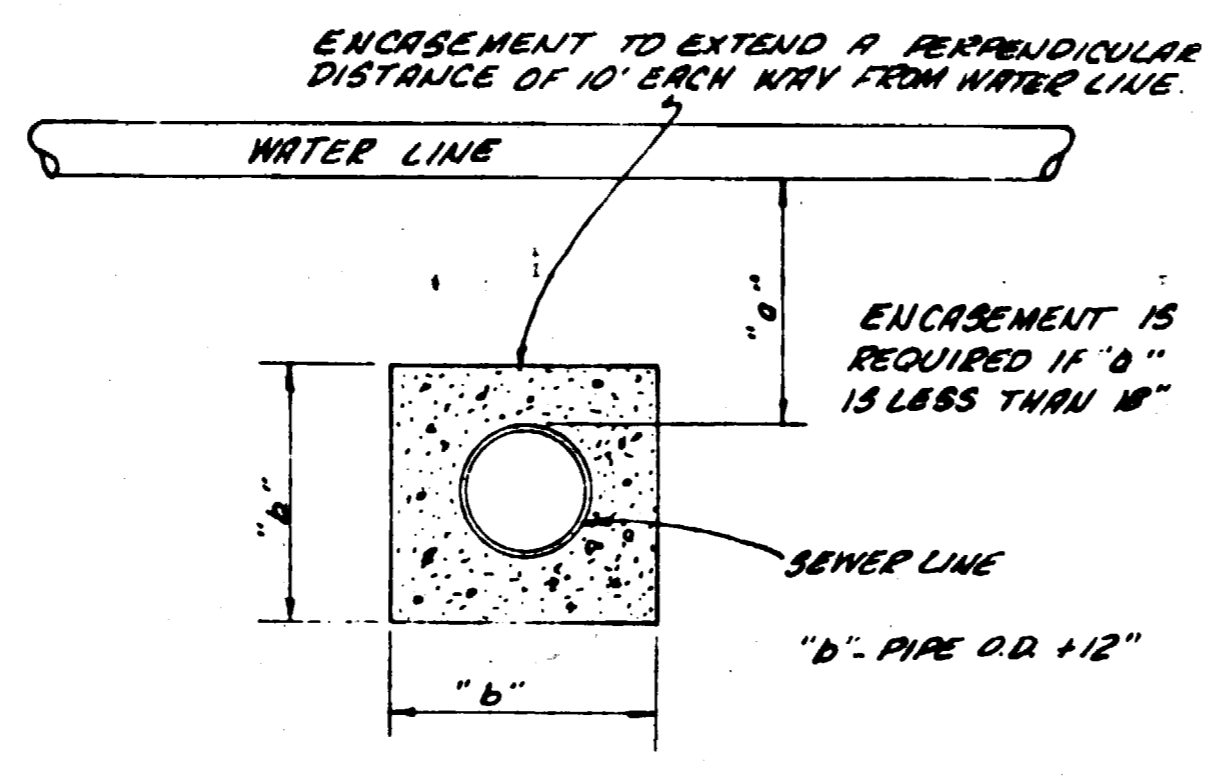
- NOTES FOR DRAWINGS
1. AT DEAD ENDS WRAP FITTINGS WITH TAR PAPER, FELT, OR HEAVY KRAFT PAPER TO PROVIDE BOND BREAK BETWEEN CONCRETE AND FITTING.
 2. ALL THRUST BLOCKING SHALL BE CAST-IN-PLACE CONCRETE HAVING A MINIMUM YIELD STRENGTH OF 2000 PSI.
 3. THRUST BLOCKING SHALL BE CAST AGAINST UNDISTURBED EARTH. FORMS SHALL BE USED AS NECESSARY TO OBTAIN ADEQUATE BEARING AREA AND TO CONFINE THE CONCRETE. THRUST BLOCKING SHALL BE CAST ON THE FITTING OR END CAP ONLY AND SHOULD NOT BE ALLOWED TO SPILL OVER THE JOINT OR AGAINST THE FITTING.



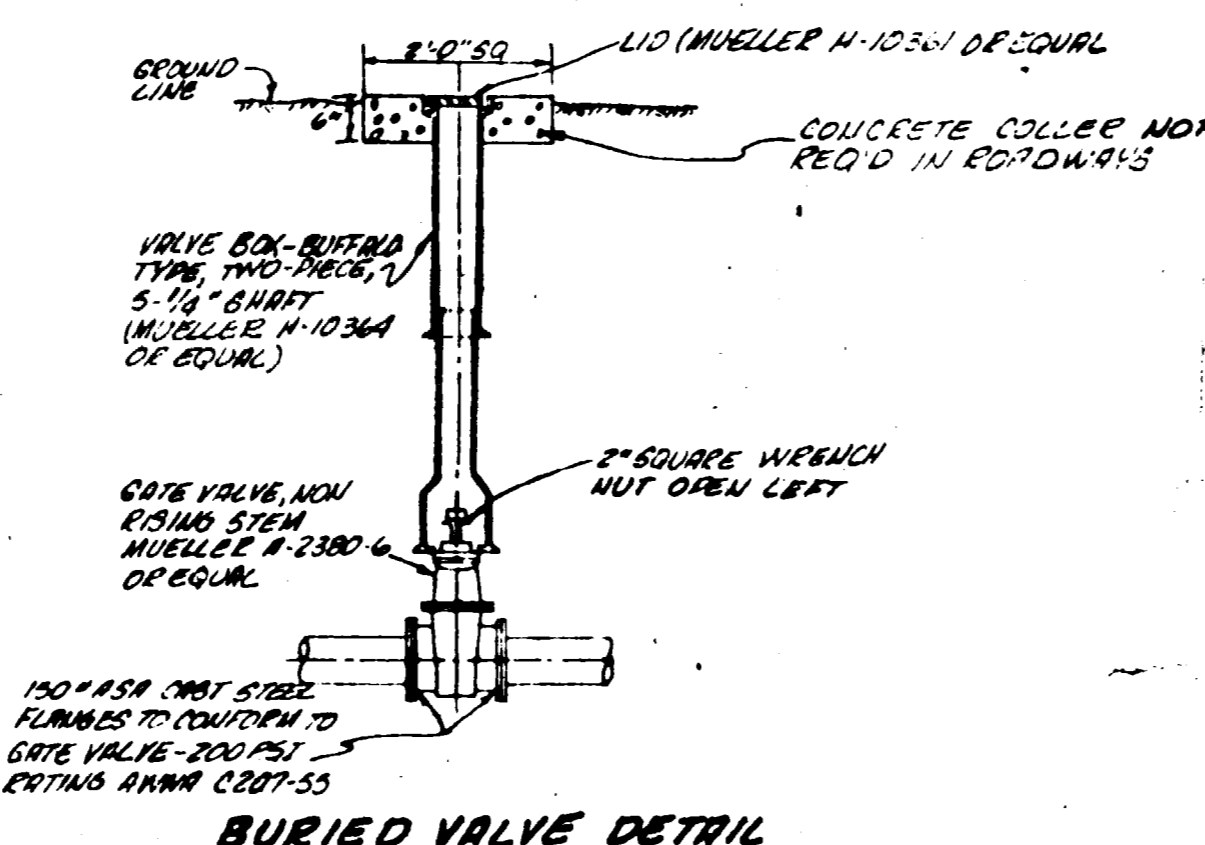
COMBINATION AIR/VACUUM VALVE



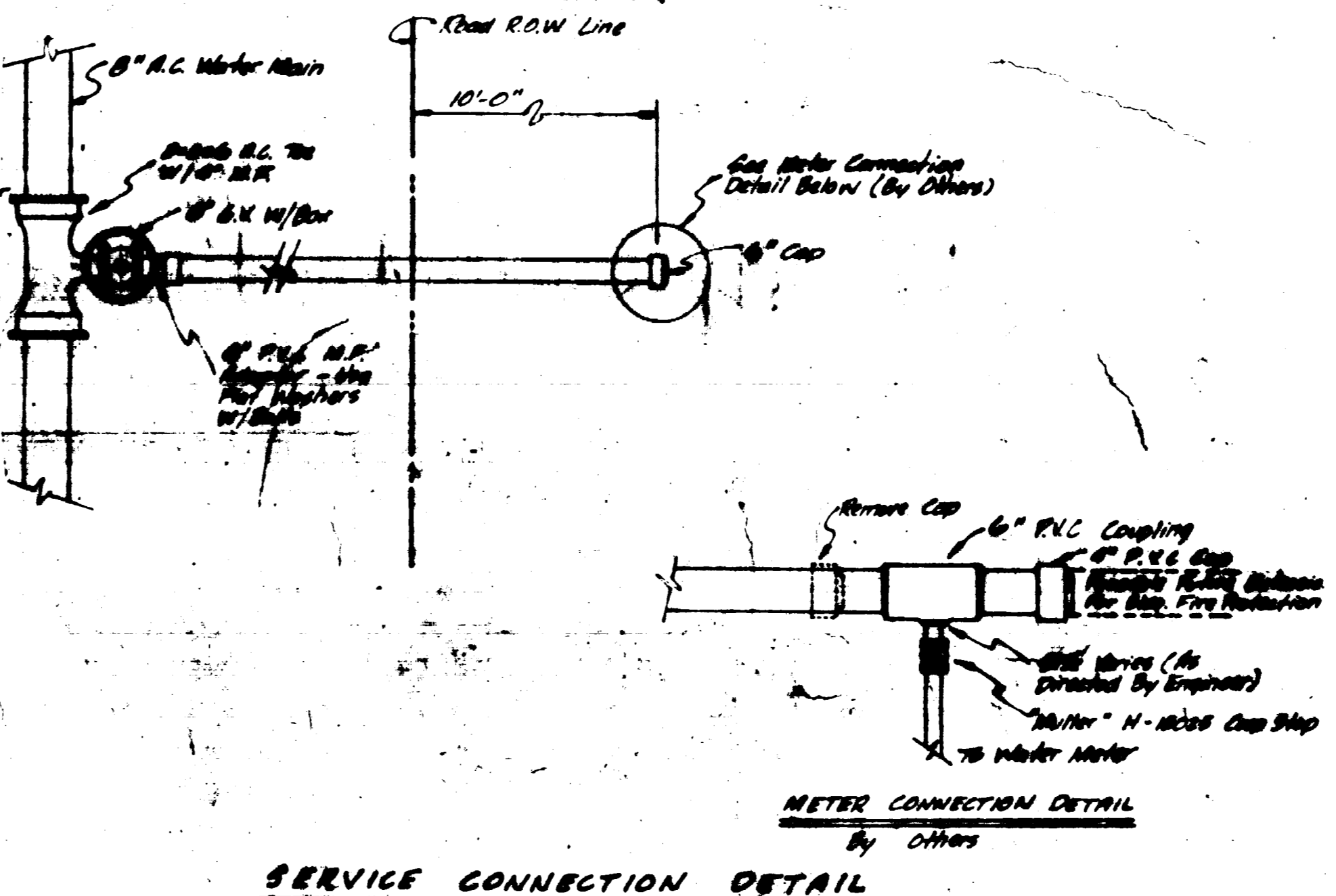
FIRE HYDRANT DETAIL



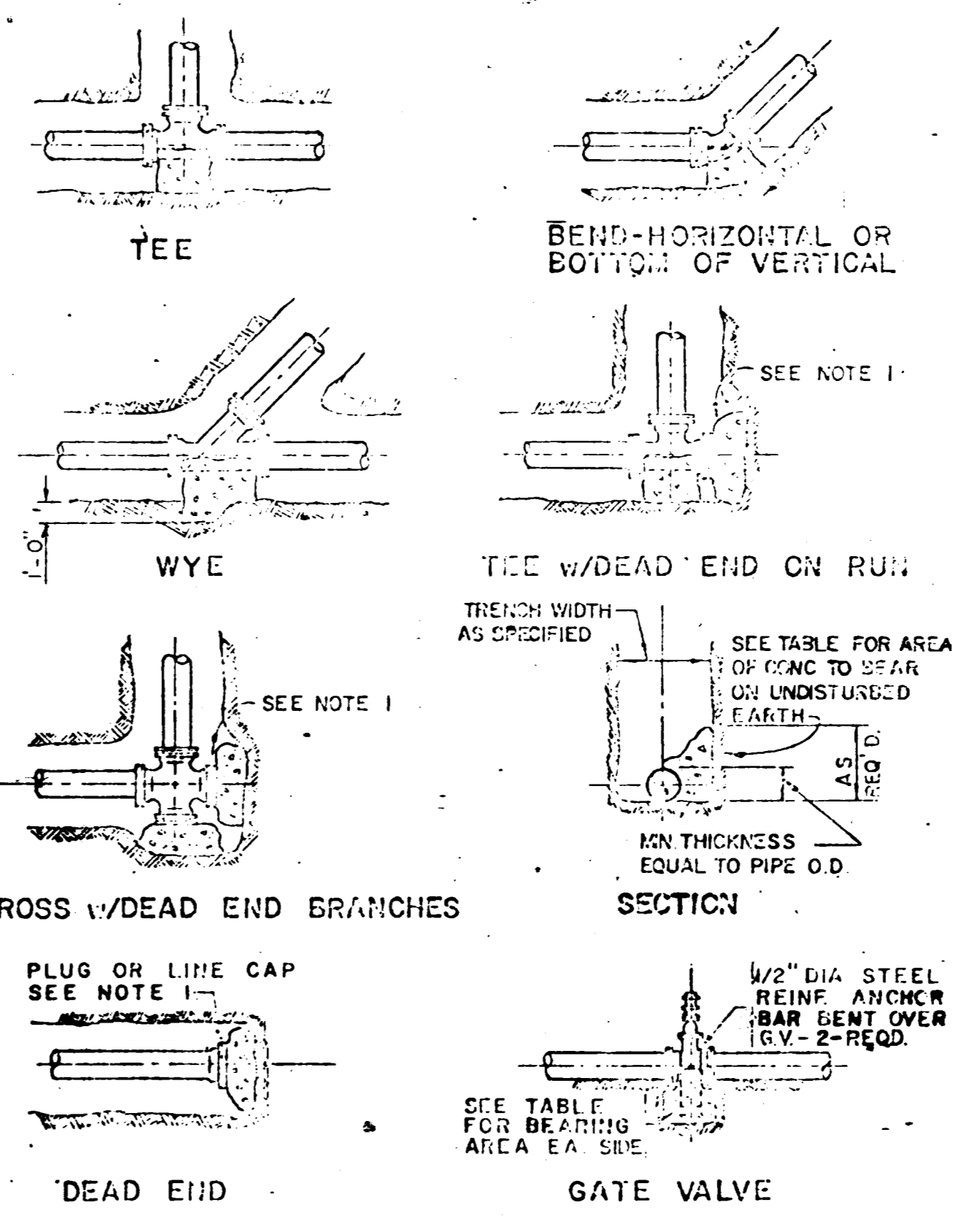
SEWER LINE ENCASEMENT DETAIL



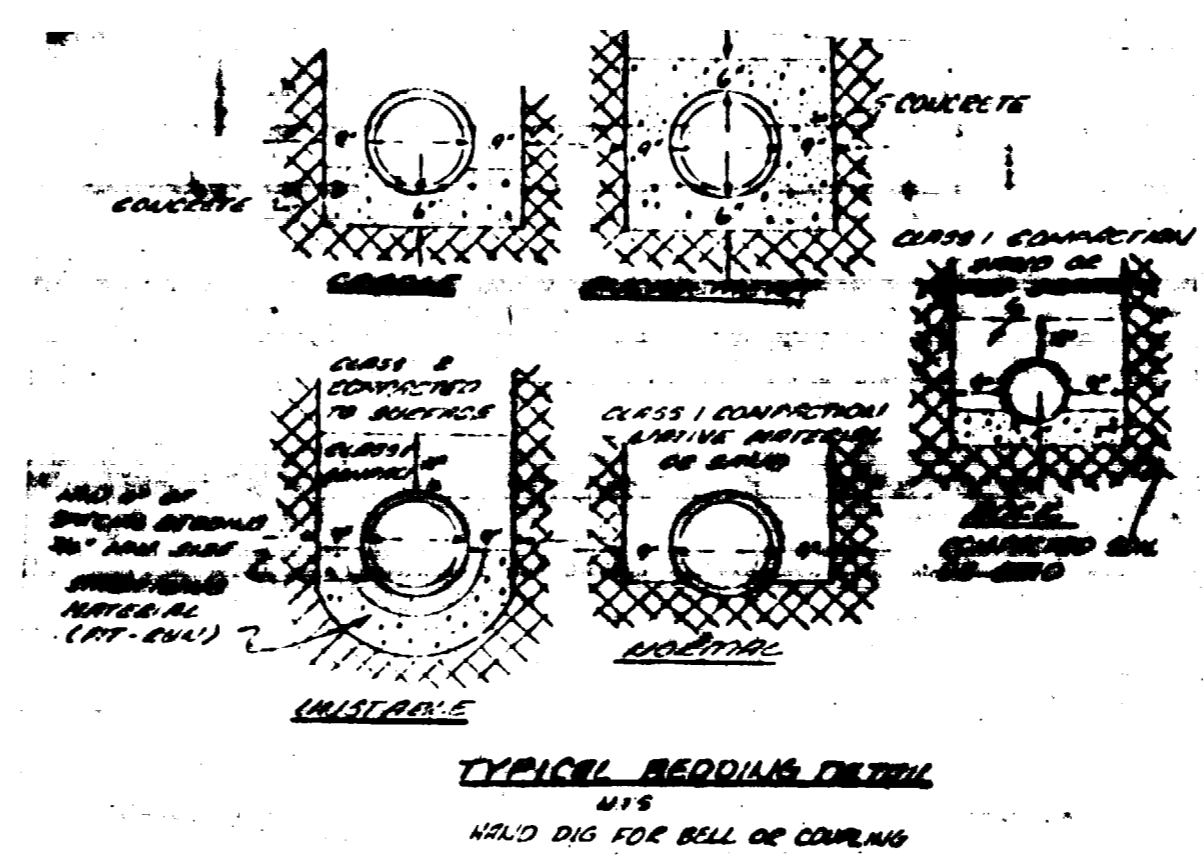
BURIED VALVE DETAIL



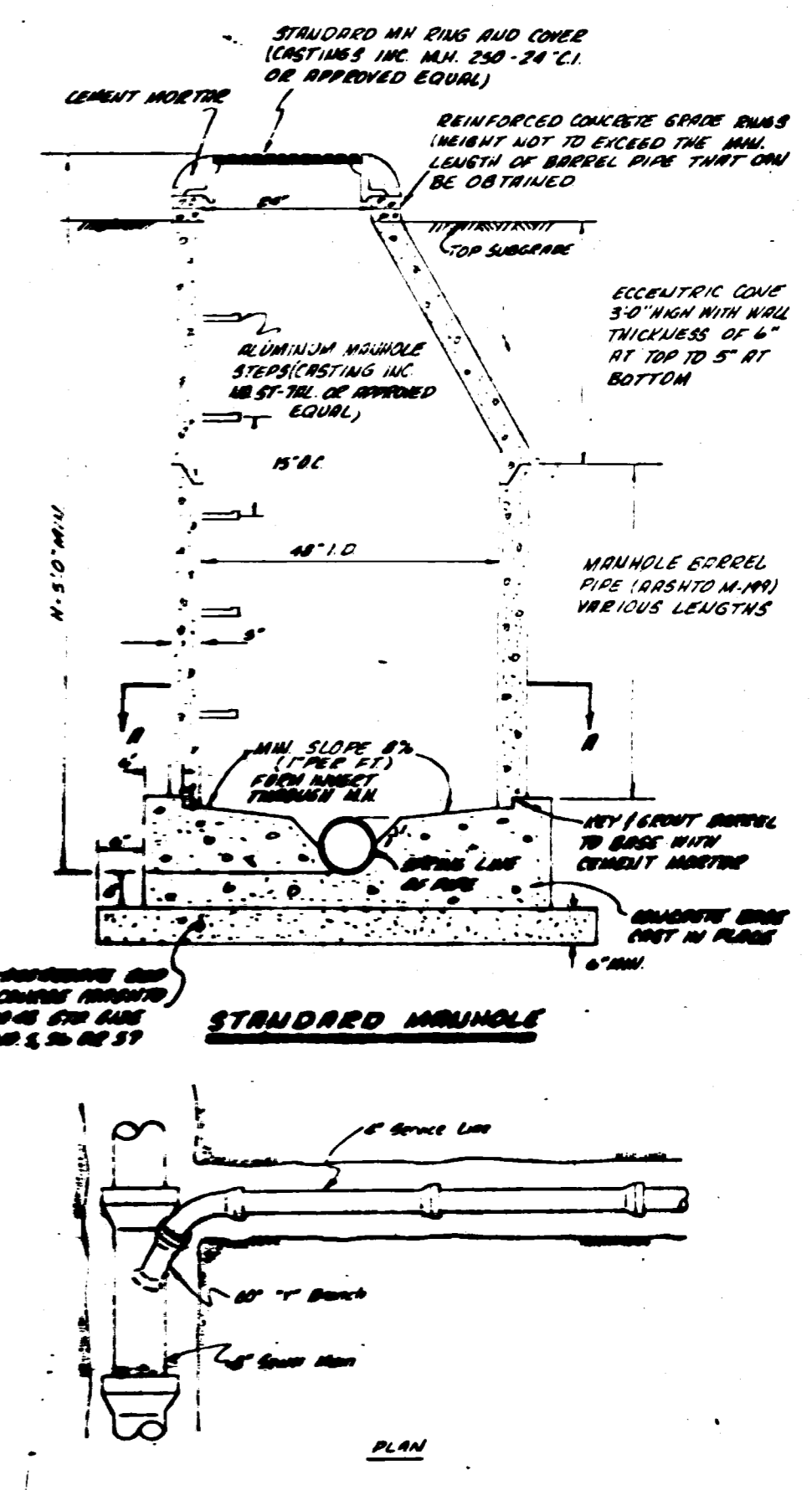
SERVICE CONNECTION DETAIL



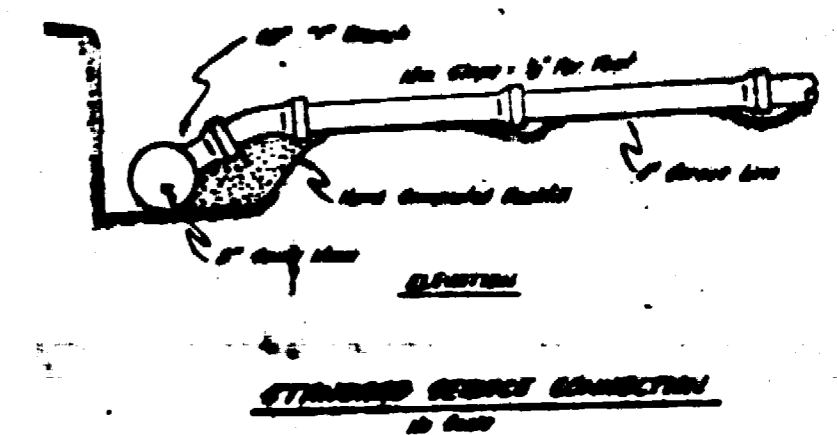
THRUST BLOCK DETAILS



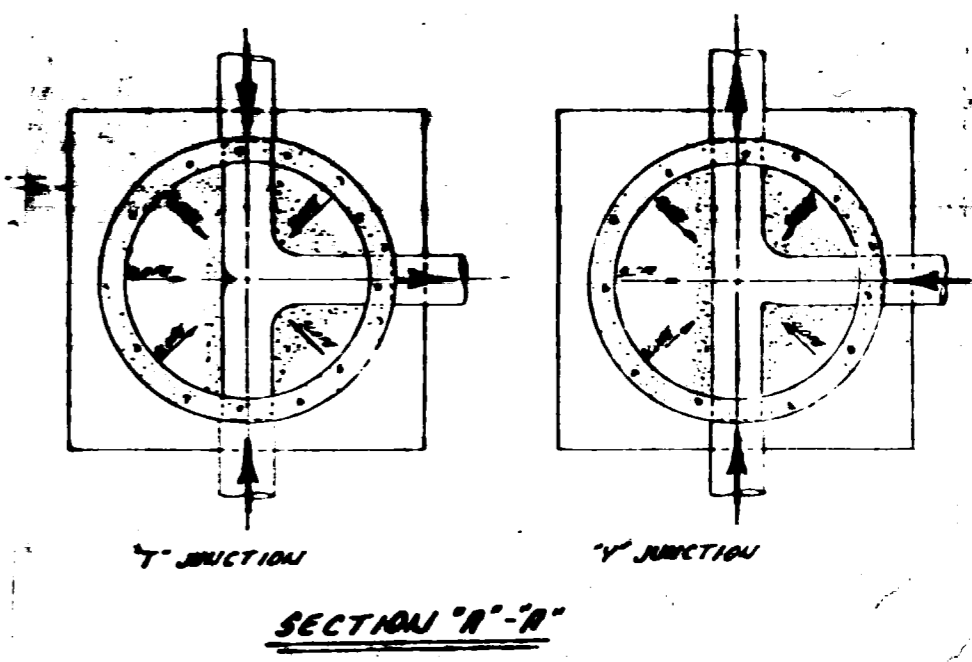
TYPICAL BEDDING DETAIL



STANDARD MANHOLE



STANDARD MANHOLE CONNECTION



SECTION 'A-A'

CHECKED
DATE
SEPT. 17, 1979
SCALE
As Shown

PARAGON ENGINEERING, INC.
P.O. Box 2872
Grand Junction, Colorado 81501 (937) 243-8888



FORESIGHT PARK FOR INDUSTRY-FILING NO TWO
MESA COUNTY, COLORADO
WATER AND SANITARY SEWER DETAILS

SHEET
2
OF 2 SHEETS

AS BUILT DRAWINGS