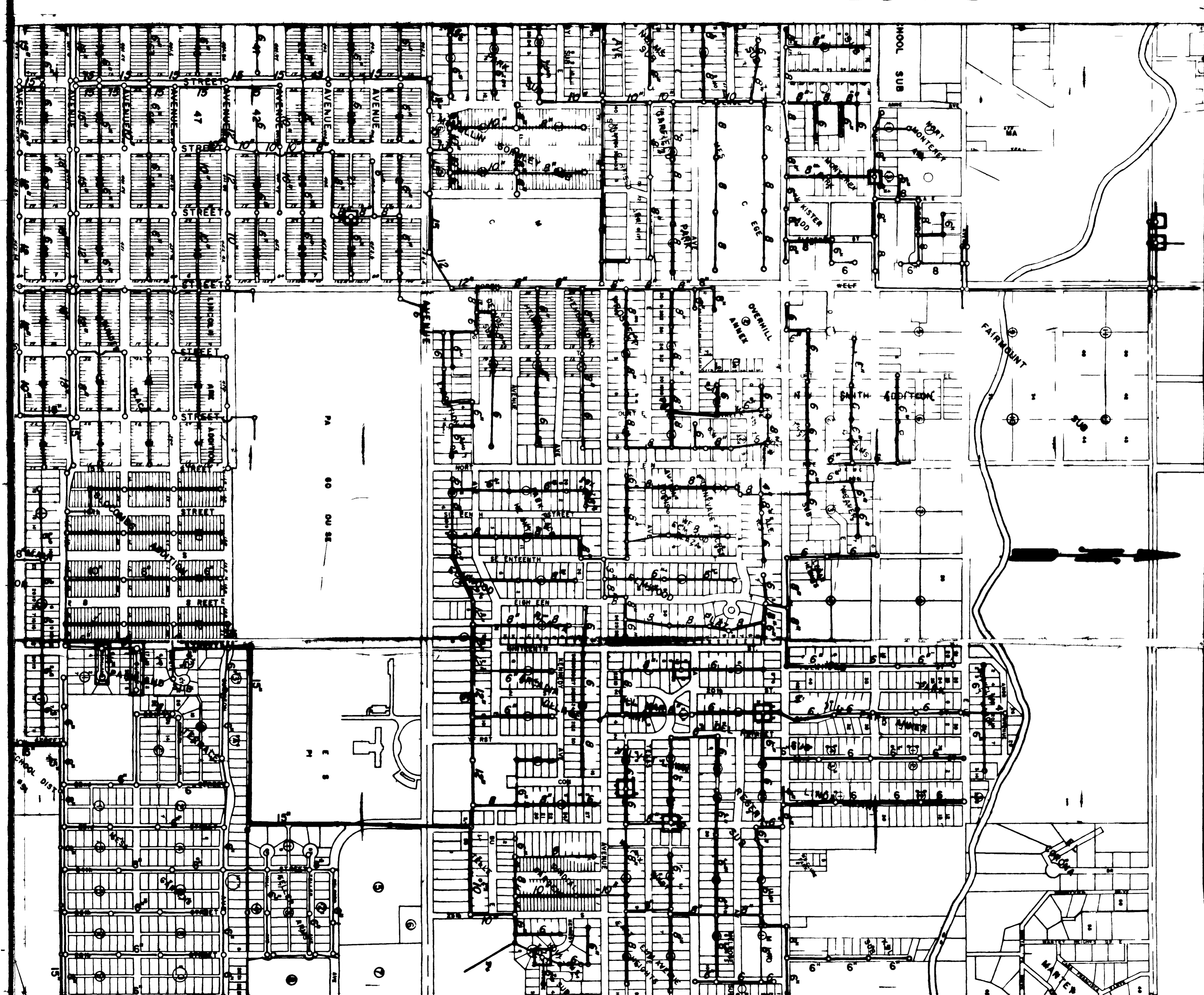
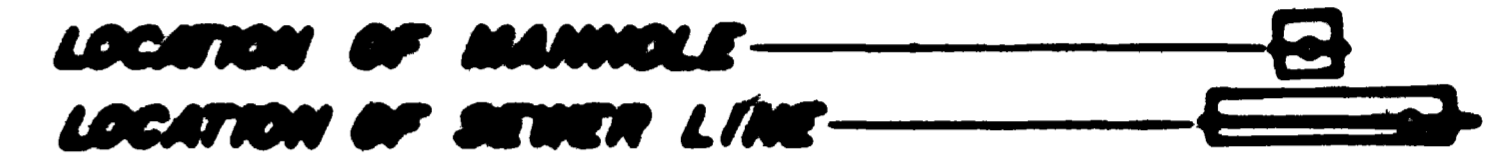


SANITARY SEWER REPLACEMENT PROJECT

1978



LEGEND



INDEX OF SHEETS

- 1 COVER SHEET.
- 2 STANDARD SANITARY SEWER DETAILS.
- 3 SEWER IMPROVEMENTS AT CITY SHOPS.
- 4 SEWER LINE REPLACEMENTS ON CURRY & PARKLAND EAST OF 19TH STREET.

SEE BID SCHEDULE FOR MANHOLE REPAIR DETAILS



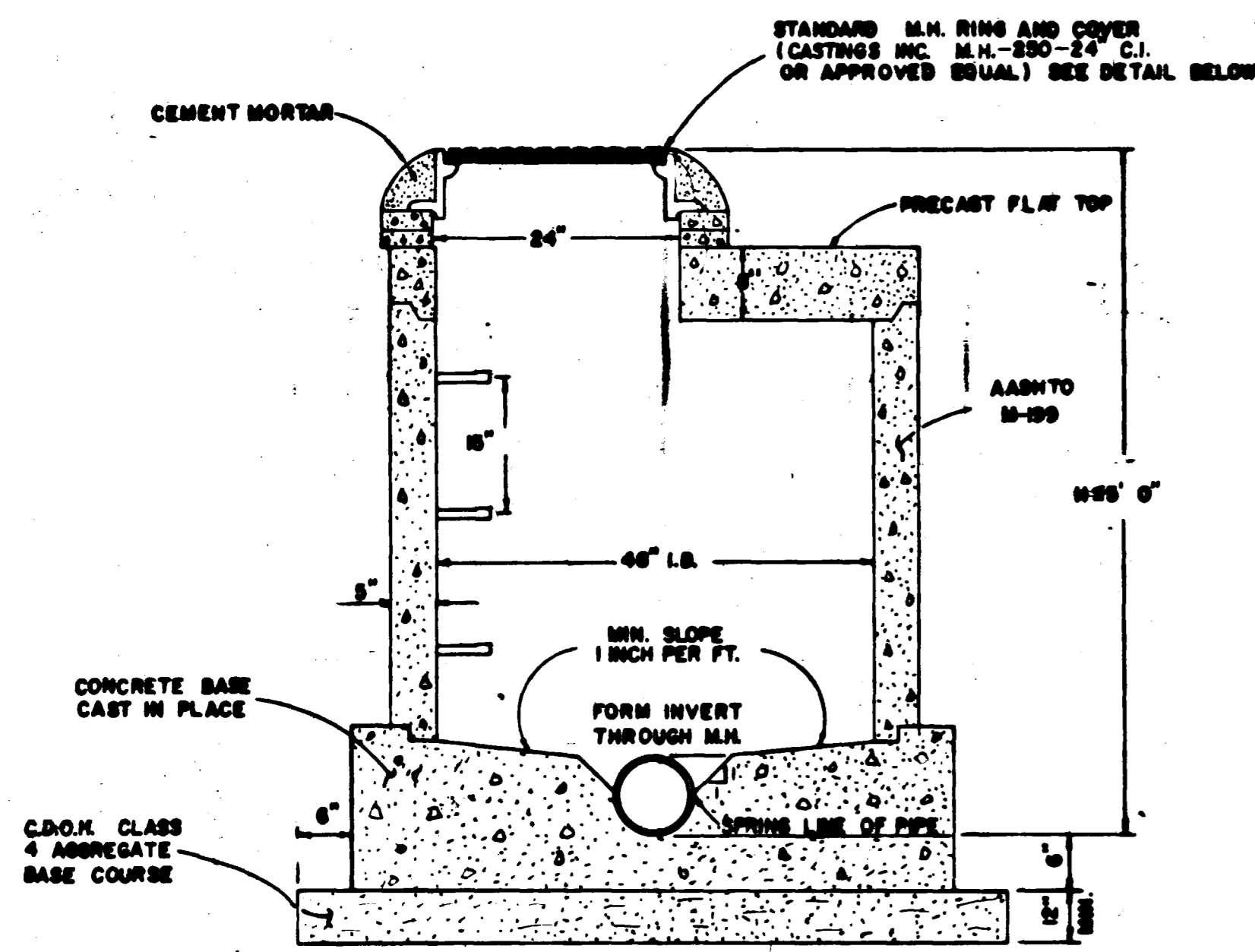
REVISION	DATE	DESCRIPTION
REVISION A		
REVISION B		
REVISION C		
REVISION D		

DRAWN BY <i>J.P.M.</i>	DATE <i>12.11.78</i>	SCALE
CHECKED BY <i>J.P.M.</i>	DATE <i>12.11.78</i>	
APPROVED BY <i>J.P.M.</i>	DATE <i>12.11.78</i>	
FIELD BOOK NO.	PAGE	

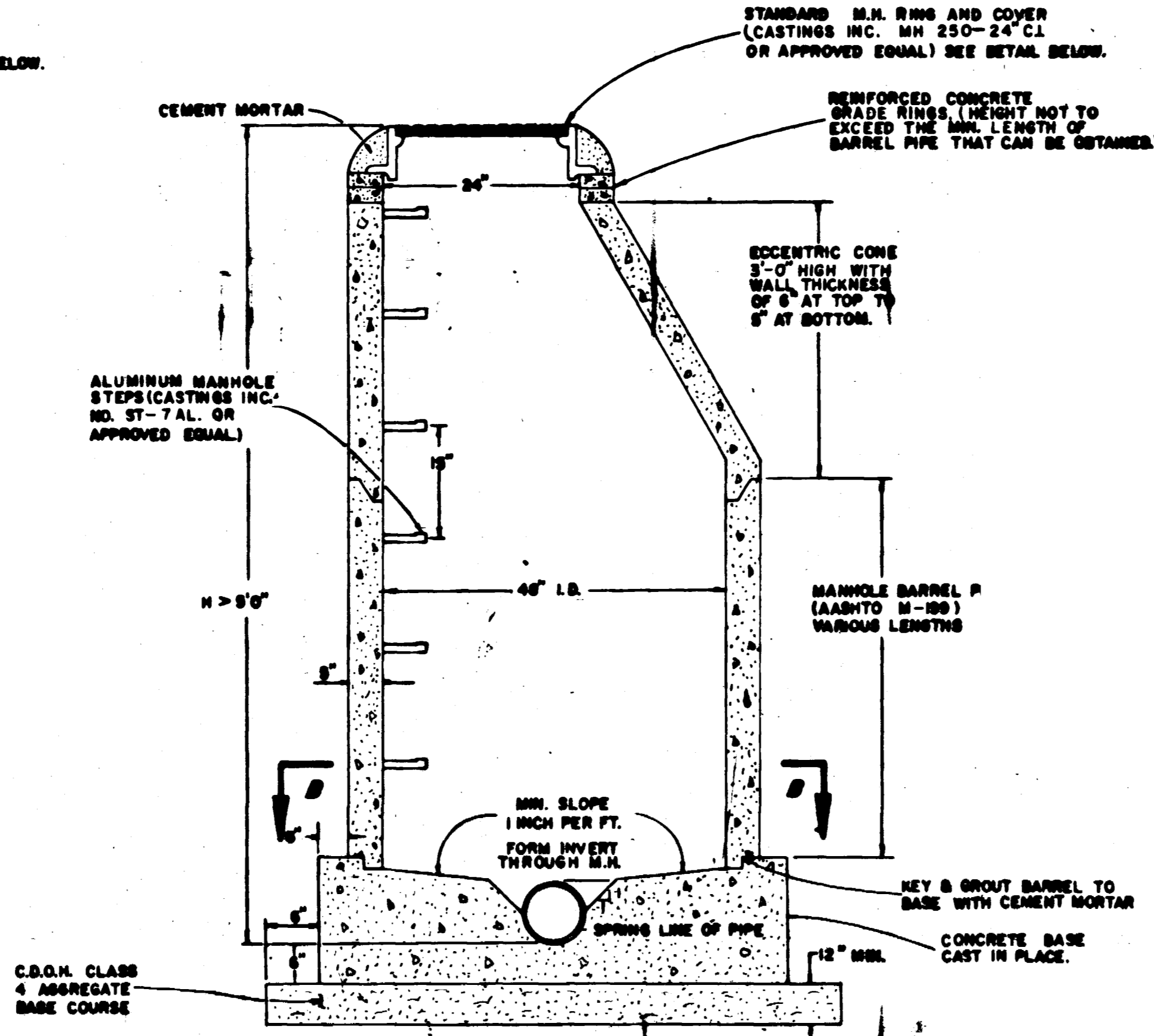
DEPARTMENT OF PUBLIC WORKS AND UTILITIES
 ENGINEERING DIVISION
 CITY OF GRAND JUNCTION, COLORADO

COVER SHEET

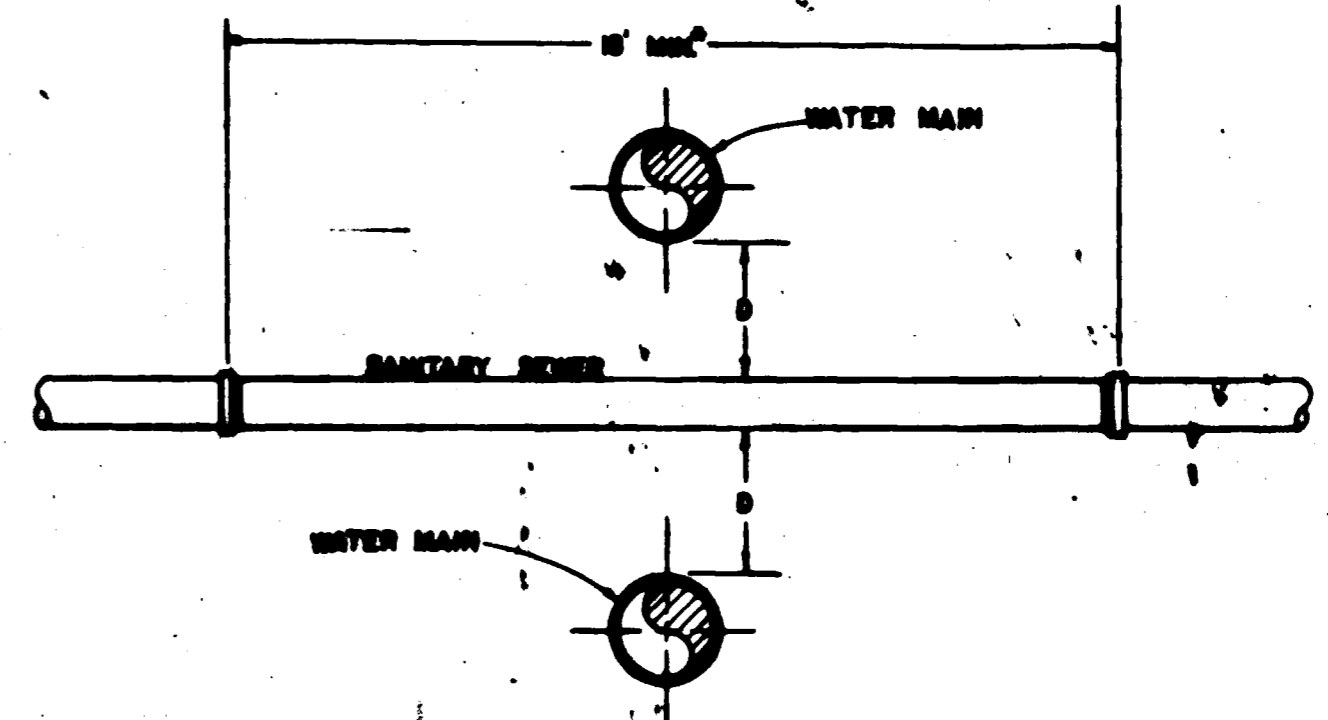
SHEET NO. 1
 OF 2
 FILE NO.



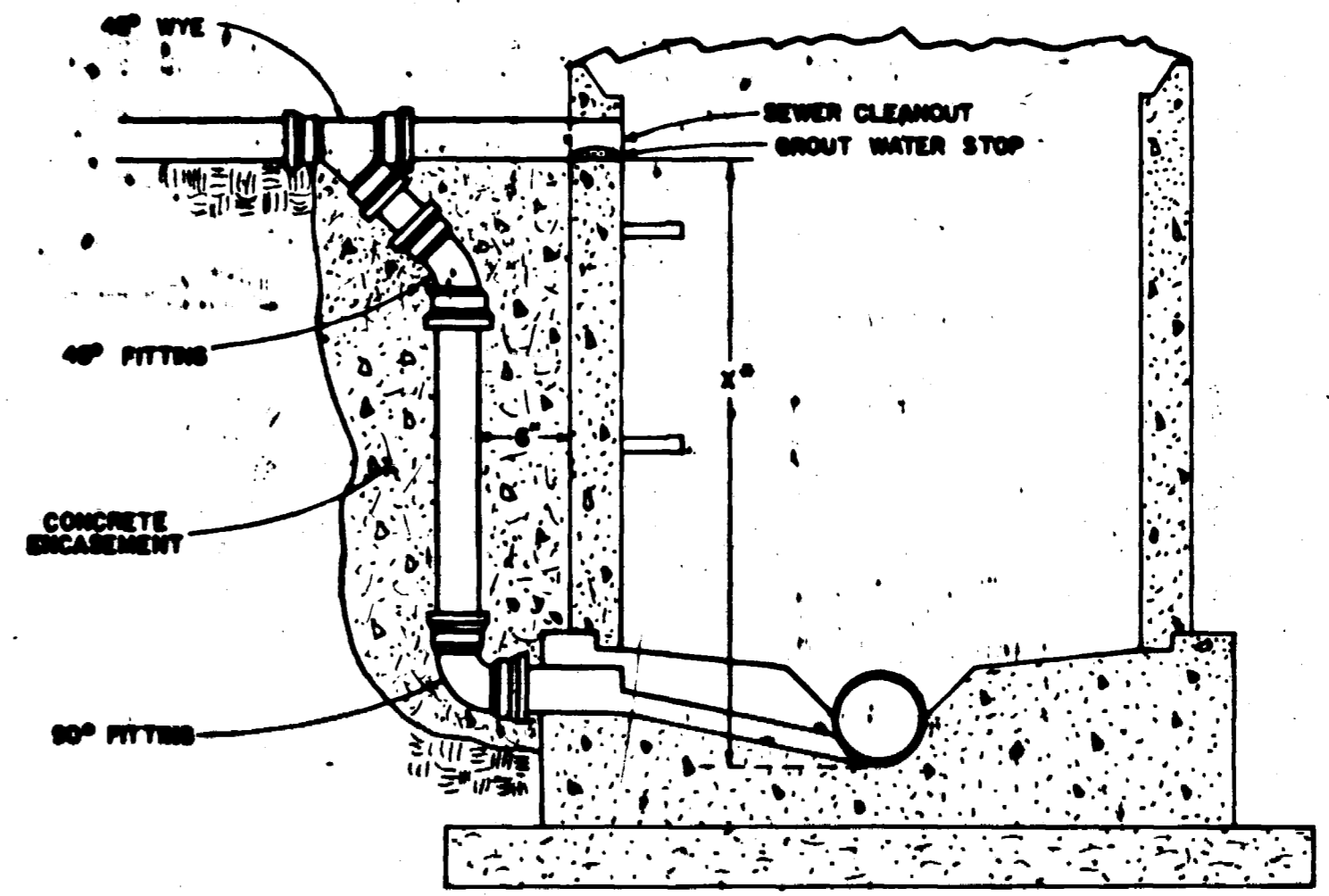
STANDARD SHALLOW MANHOLE



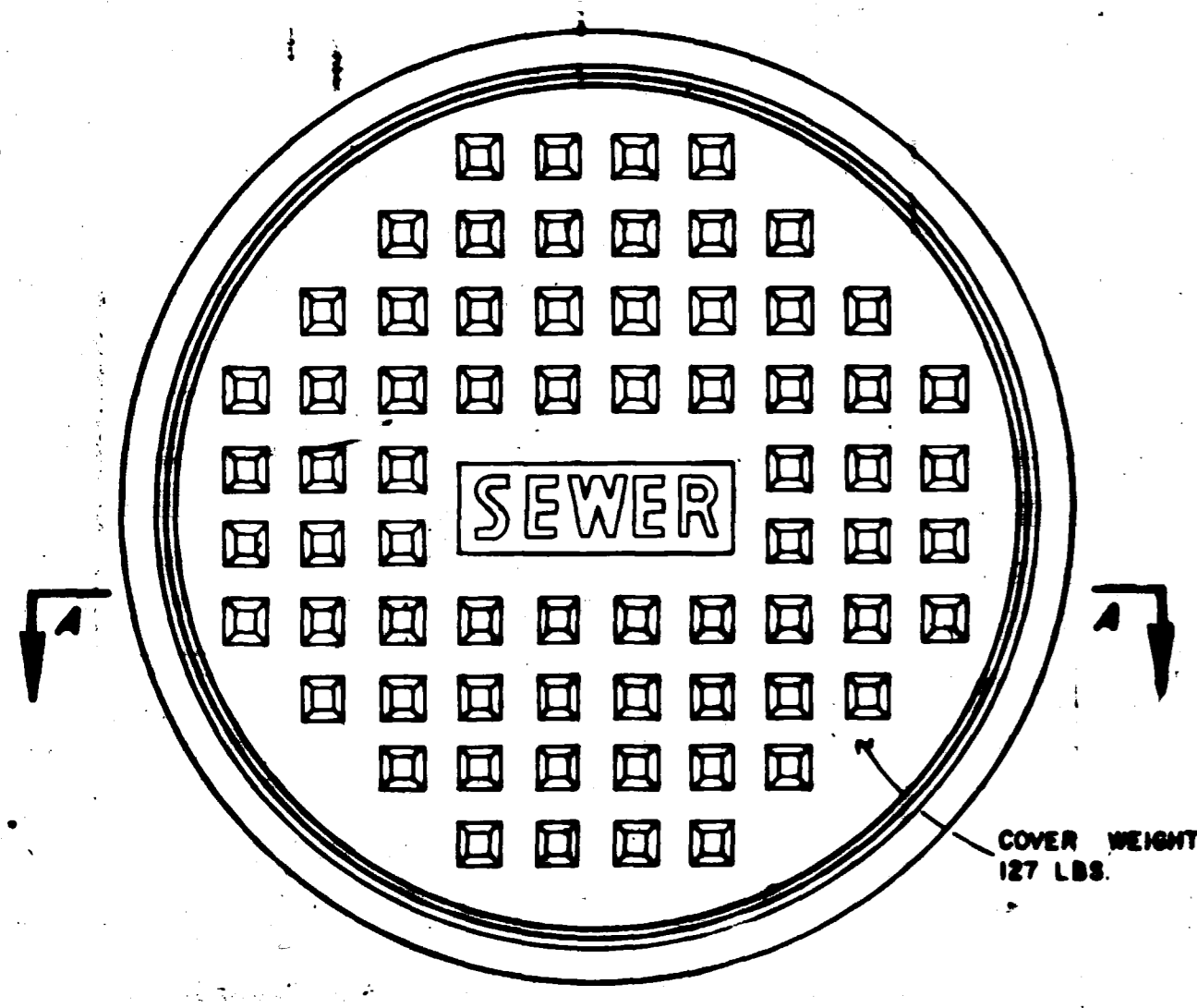
STANDARD MANHOLE



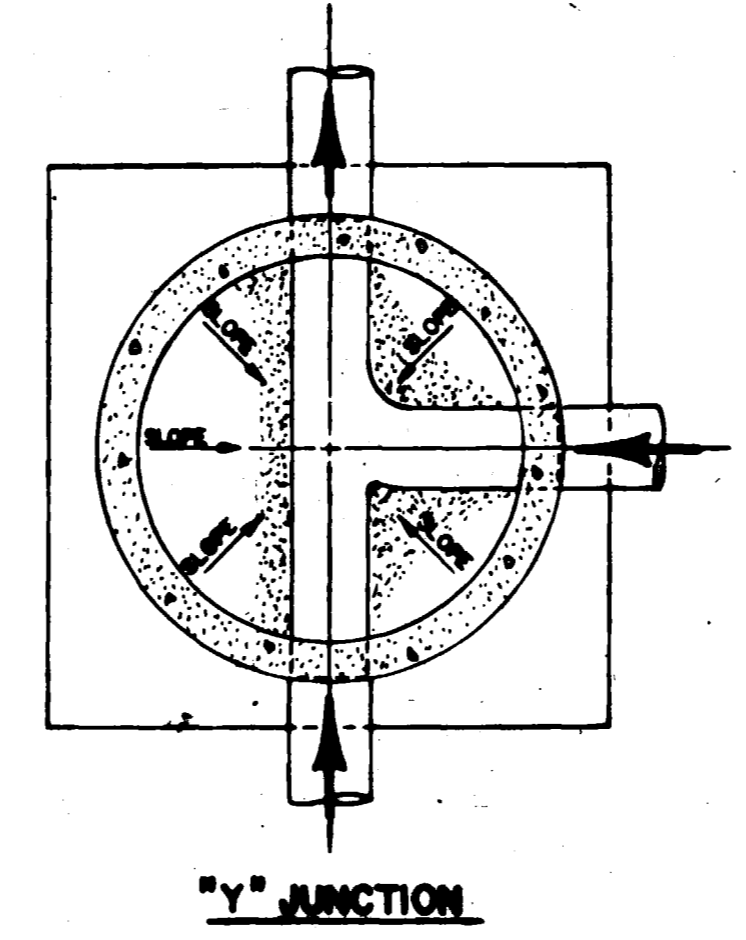
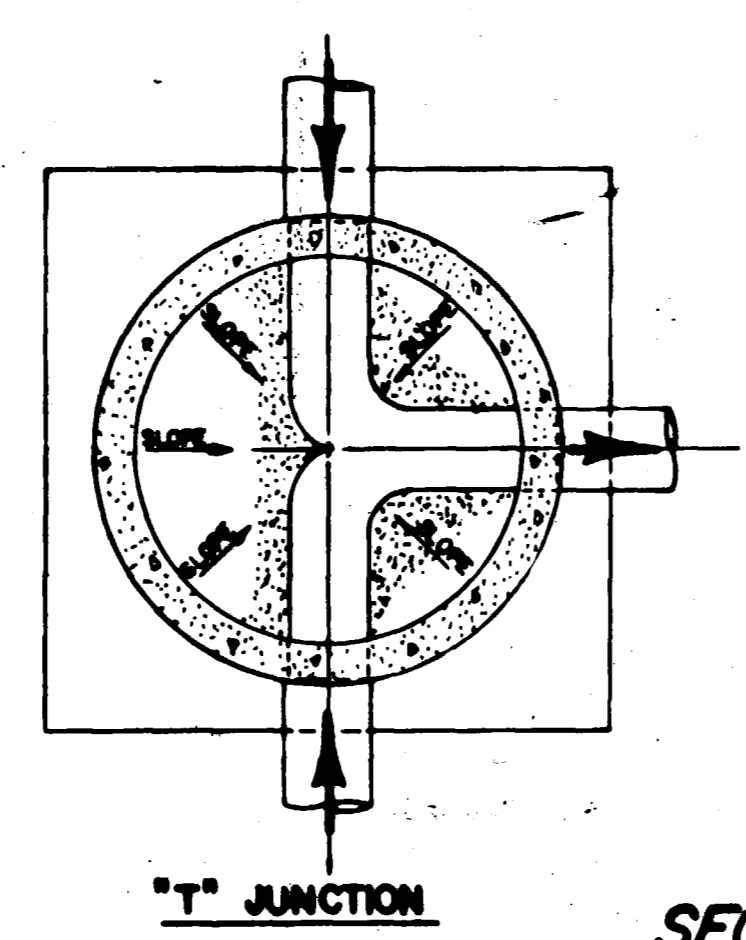
SANITARY SEWER-WATER MAIN CROSSING



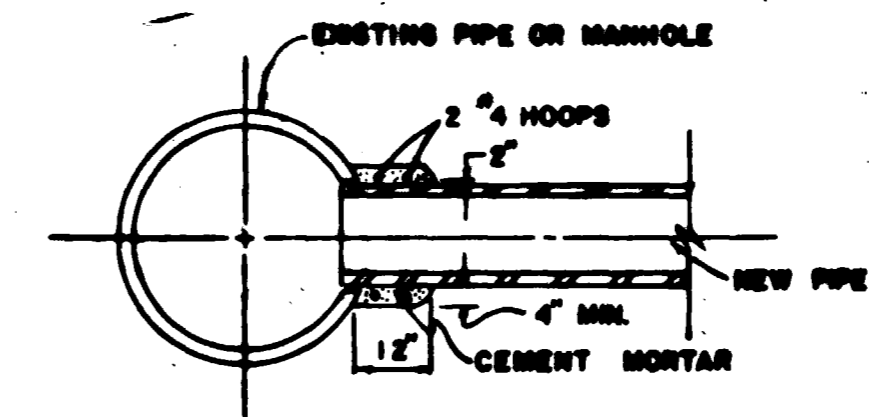
DROP INLET INTO MANHOLE



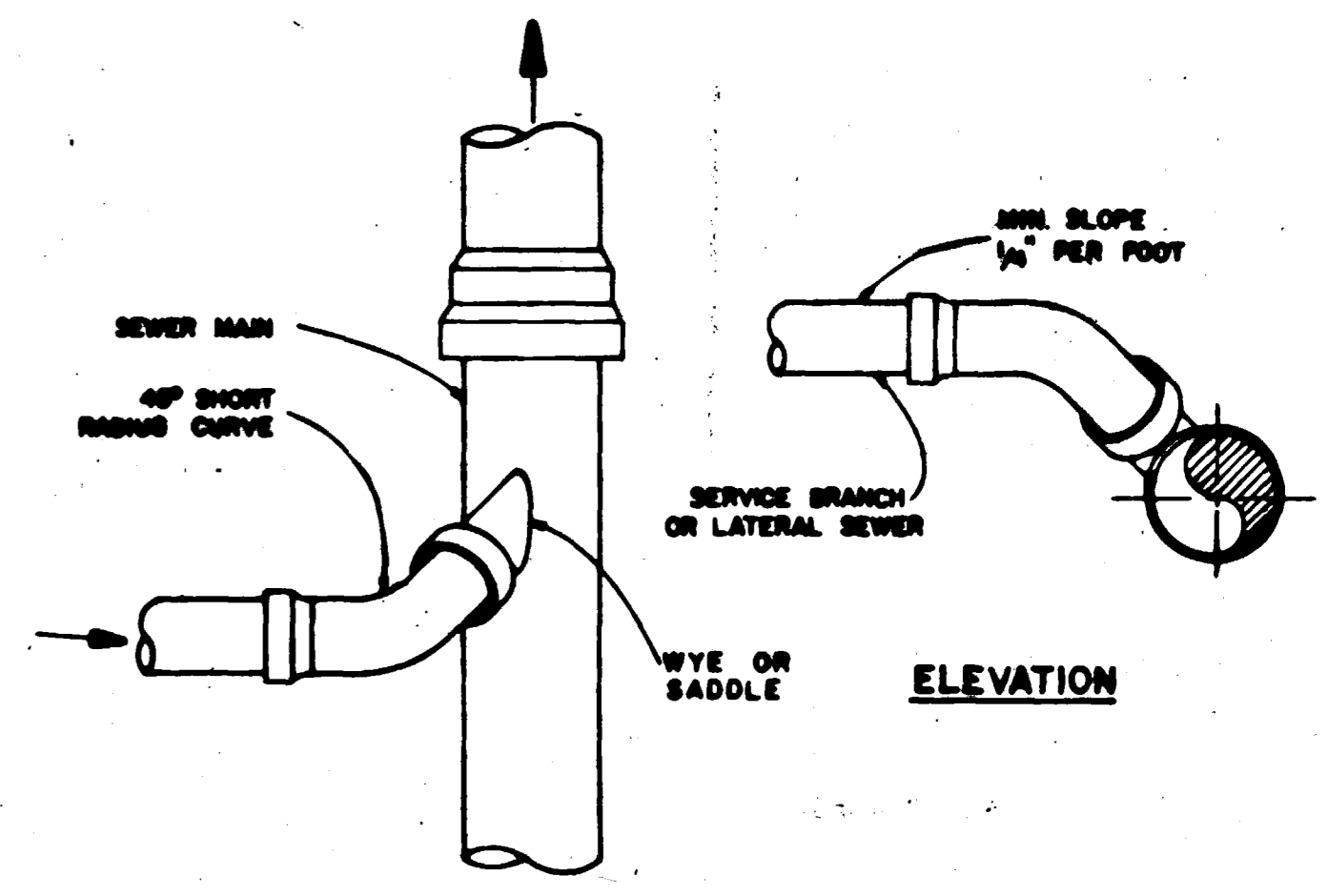
STANDARD CAST IRON MANHOLE RING AND COVER



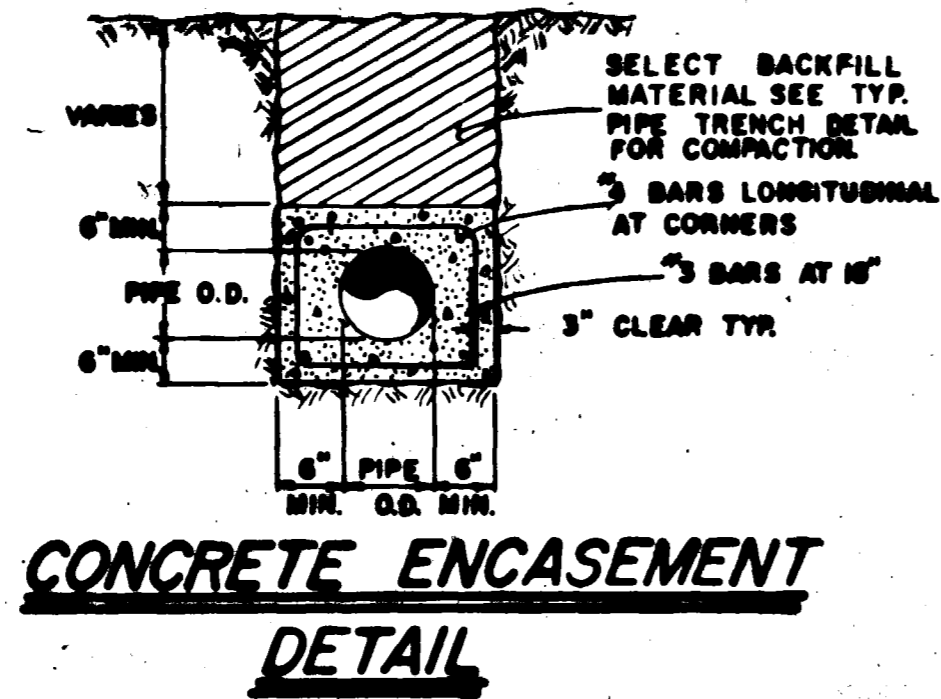
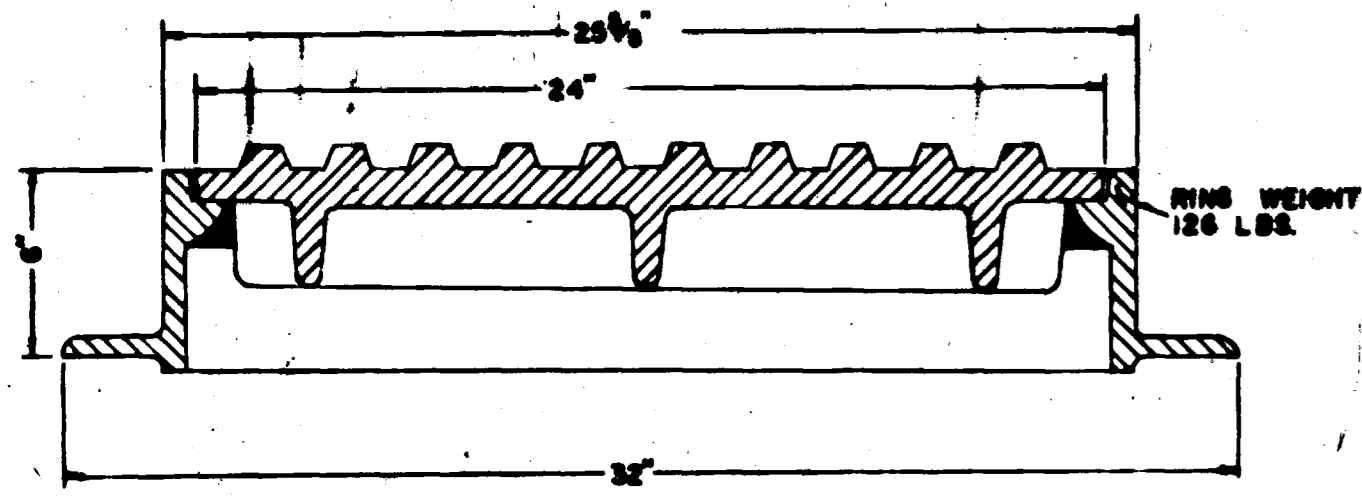
SECTION B-B



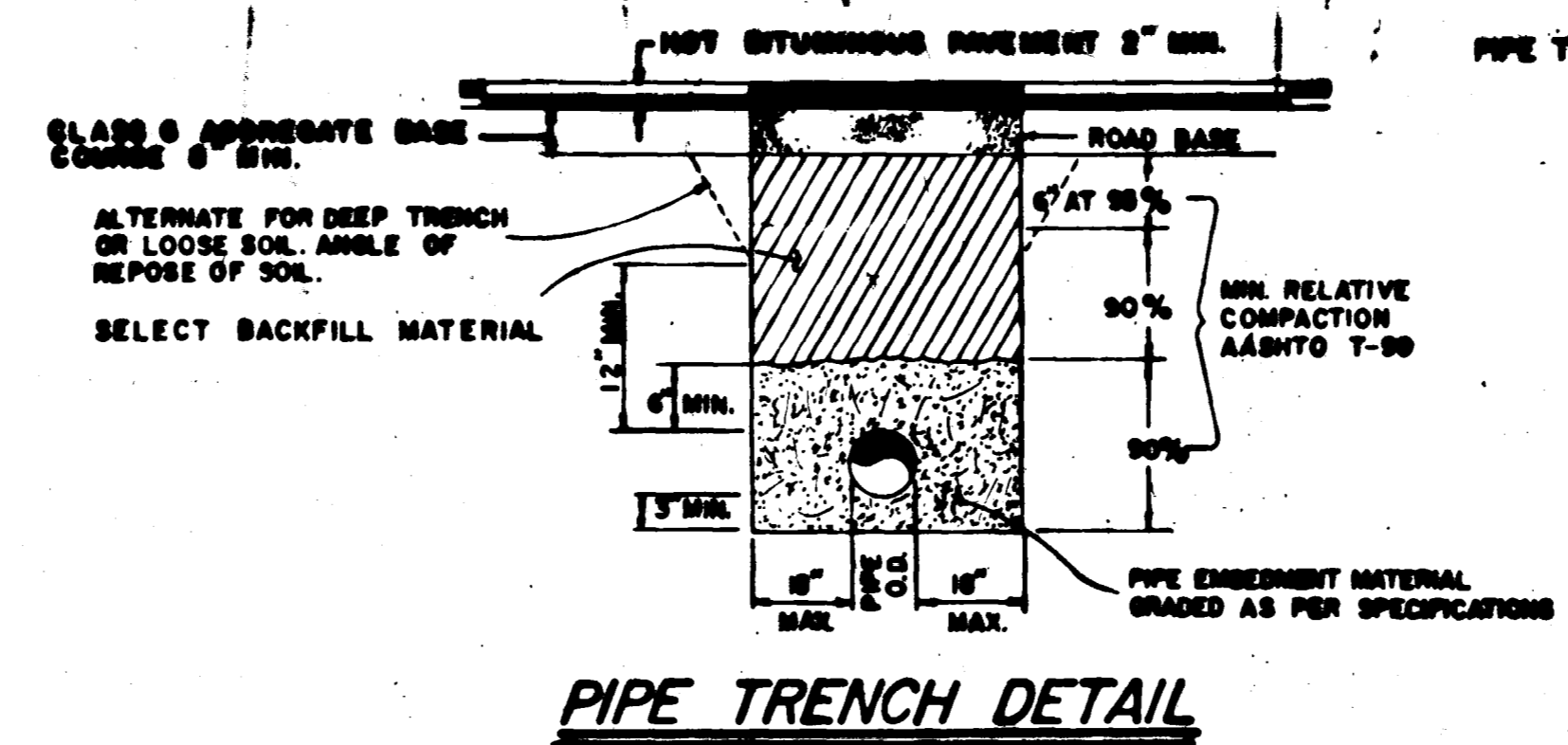
CONNECTION TO EXISTING MANHOLE OR PIPE



TYPICAL SERVICE \"Y\" CONNECTION



CONCRETE ENCASUREMENT DETAIL



PIPE TRENCH DETAIL

- PIPE TRENCH NOTES:**
1. ALL BACKFILL MATERIAL SHALL BE PLACED FULL WIDTH AND COMPACTED IN 12\"/>
 - 2. VERTICAL TRENCH WALLS ARE DESIRED. IF THIS IS NOT PRACTICAL THE SIDES MAY BE SLOPED BACK FROM 1\"/>

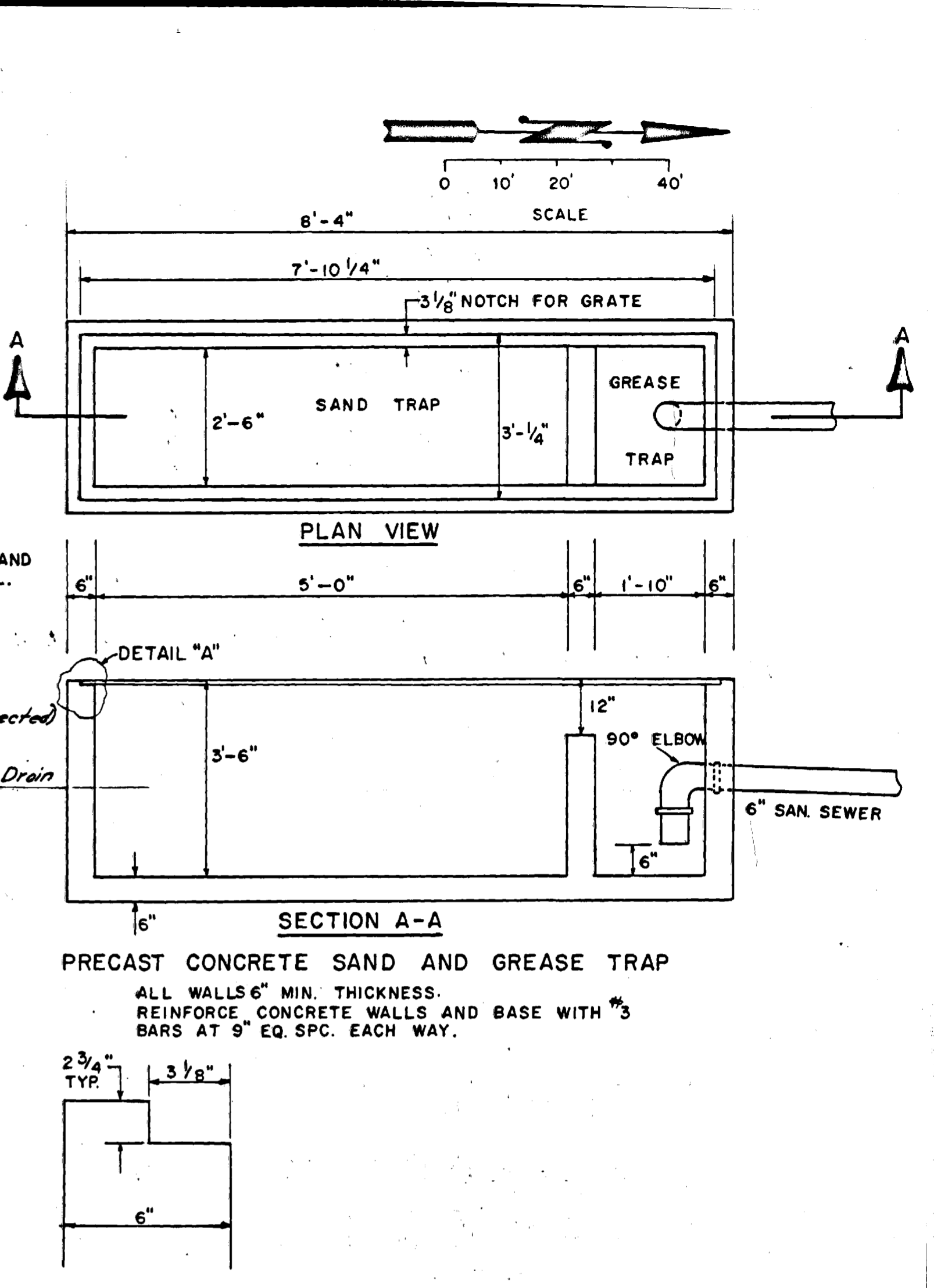
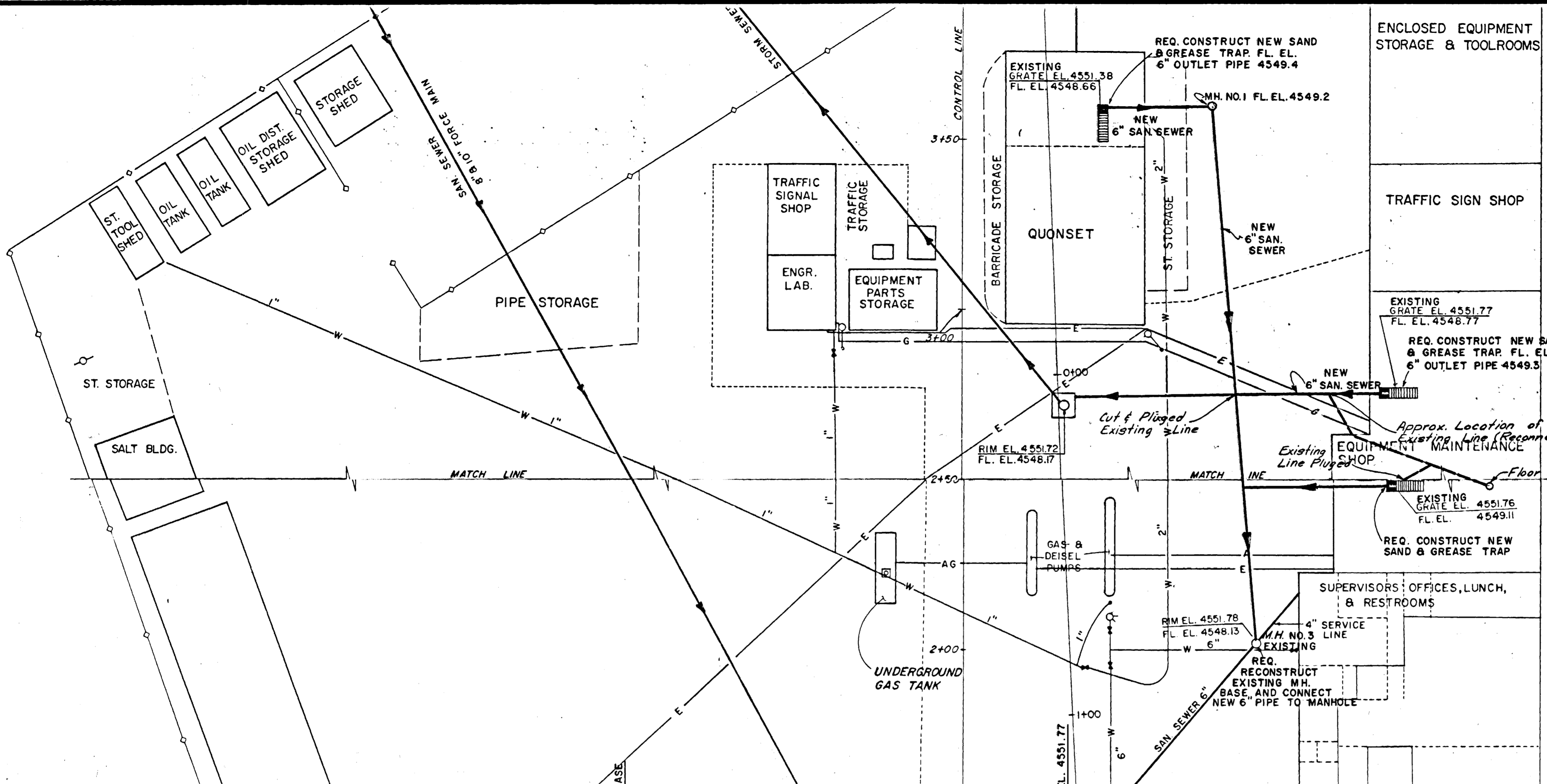
AS CONSTRUCTED

CITY ENGINEER - UTILITIES *Dennis R. Jensen*
DENNIS R. JENSEN, P.E.

**DEPARTMENT OF PUBLIC WORKS
 ENGINEERING DIVISION
 CITY OF GRAND JUNCTION, COLORADO**

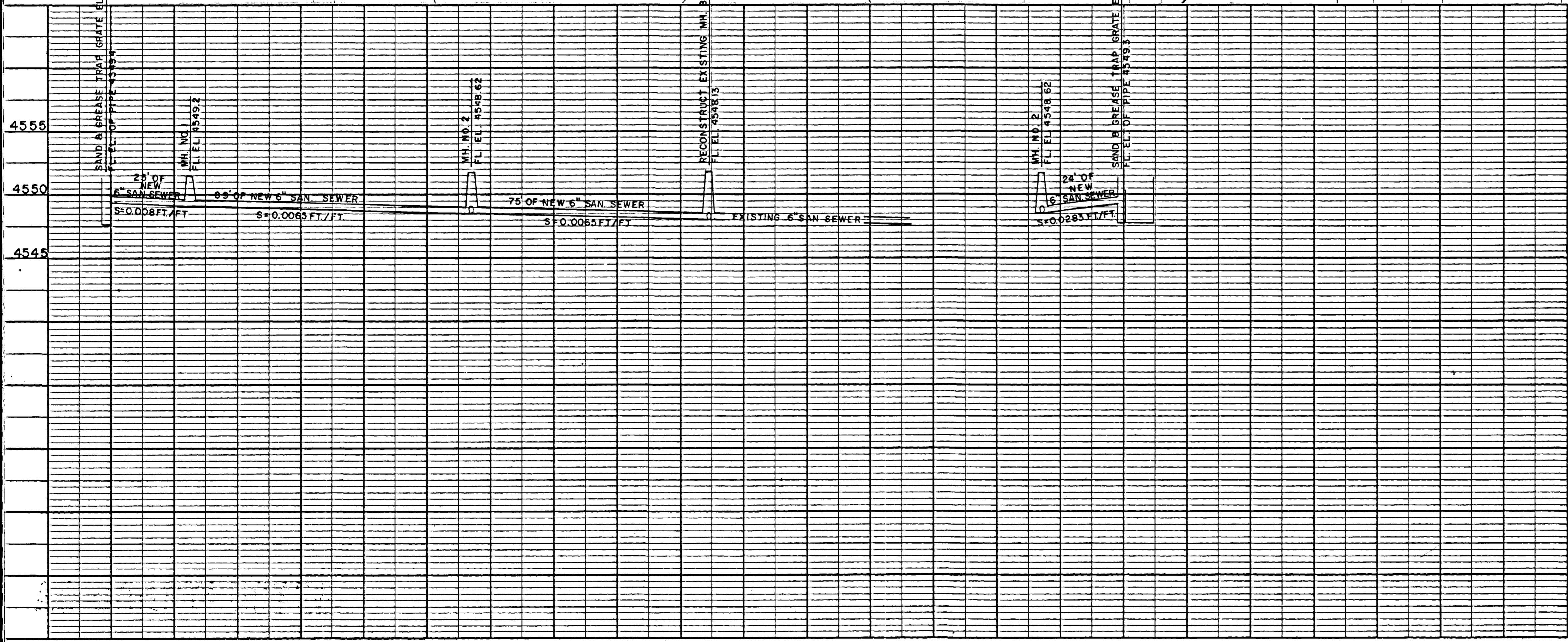
**STANDARD SANITARY SEWER
 DETAILS**

DRAWN BY: <i>ALC</i>	DATE: 2-25-81	HORIZONTAL SCALE	VERTICAL SCALE
CHECKED BY: <i>J.P.T.</i>	DATE: 3-16-77	FIELD BOOK #	SHEET # OF #
APPROVED BY: <i>L.R.J.</i>	DATE: 2-16-77	TITLE #	DWG. #
	REV: 12-11-78		



DETAIL "A"
 NOTCH FOR STEEL GRATE OVER SAND TRAP ON ALL SIDES

NOTES:
 1. SAW CUT CONCRETE FLOORS AND REMOVE EXISTING CATCH BASINS FOR PLACEMENT OF PRECAST CONCRETE SAND & GREASE TRAPS AS SHOWN. REPLACE CONCRETE FLOOR BETWEEN SAW CUT LINES AND CONCRETE SAND & GREASE TRAP.
 2. GRATES FOR SAND TRAPS TO BE 2 1/2" X 1/4" X 1 3/16" D7C STEEL BAR GRATE 13 X 7 1/2" EACH WELD STEEL FLOOR PLATE TO TOP OF GRATE OVER GREASE TRAP FLOOR PLATE SHALL BE 3" X 2'-7" X 1/4" DIAMOND PLATE. GRATES SHALL BE PRIMED AND PAINTED WITH RUST-OLEUM (BLACK) OR OTHER RUST RESISTANT PAINTS.



REVISION	DESCRIPTION	DATE
1	Show AS BUILT Lines	9-10-79
2		
3		

DRAWN BY T.A.B. DATE 12-7-78
 CHECKED BY J.D.N. DATE 12-11-78
 APPROVED BY D.R.J. DATE 12-11-78
 FIELD BOOK NO. PAGE

SCALE
 PLAN: HORIZ. 1" = 20'
 PROFILE: HORIZ. 1" = 20', VERT. 1" = 5'

DEPARTMENT OF PUBLIC WORKS AND UTILITIES
ENGINEERING DIVISION
CITY OF GRAND JUNCTION, COLORADO

SANITARY SEWER REPLACEMENT PROJECT
CITY 1978 SHOPS

SHEET NO. 3
 OF 4
 FILE NO.

AS CONSTRUCTED