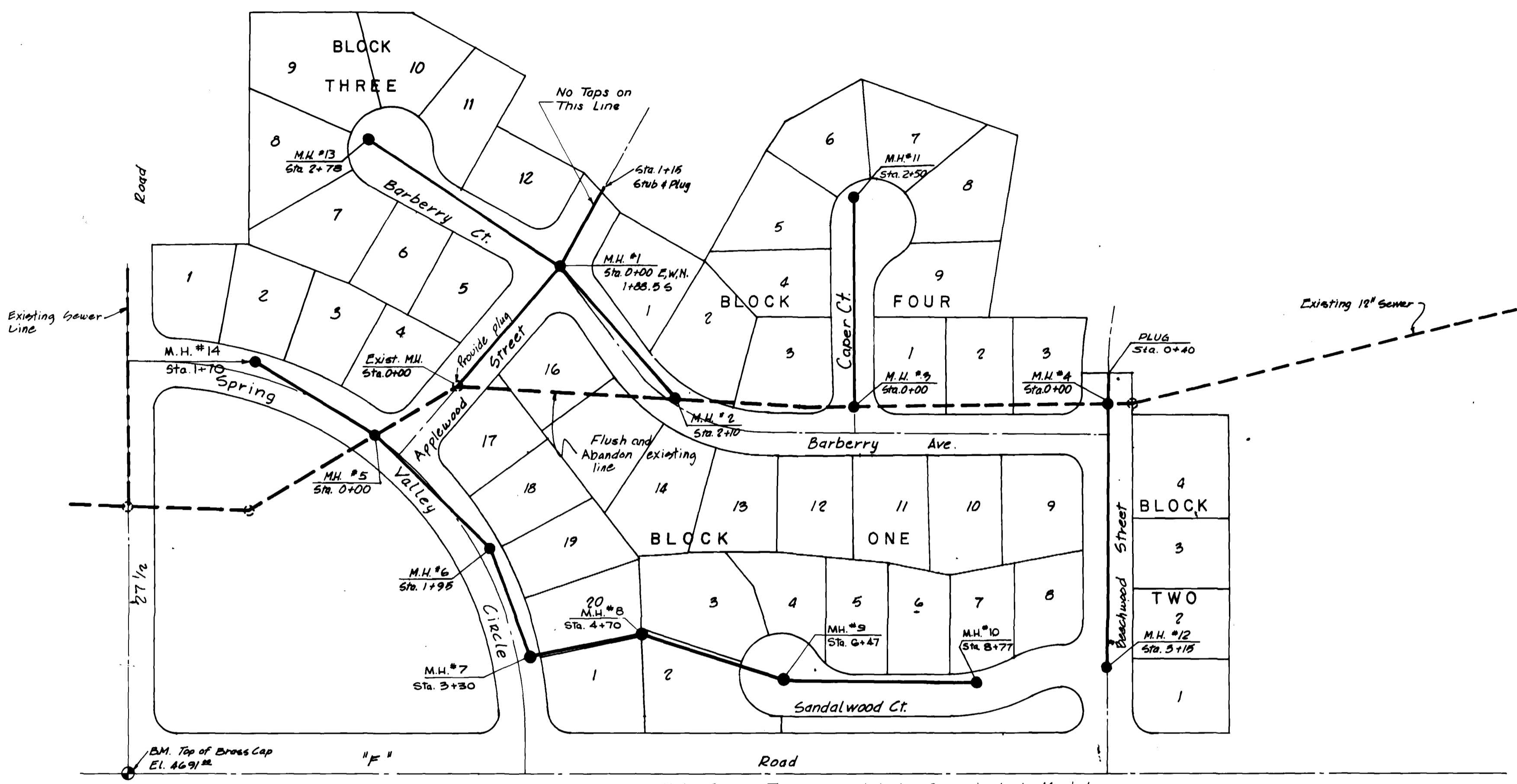
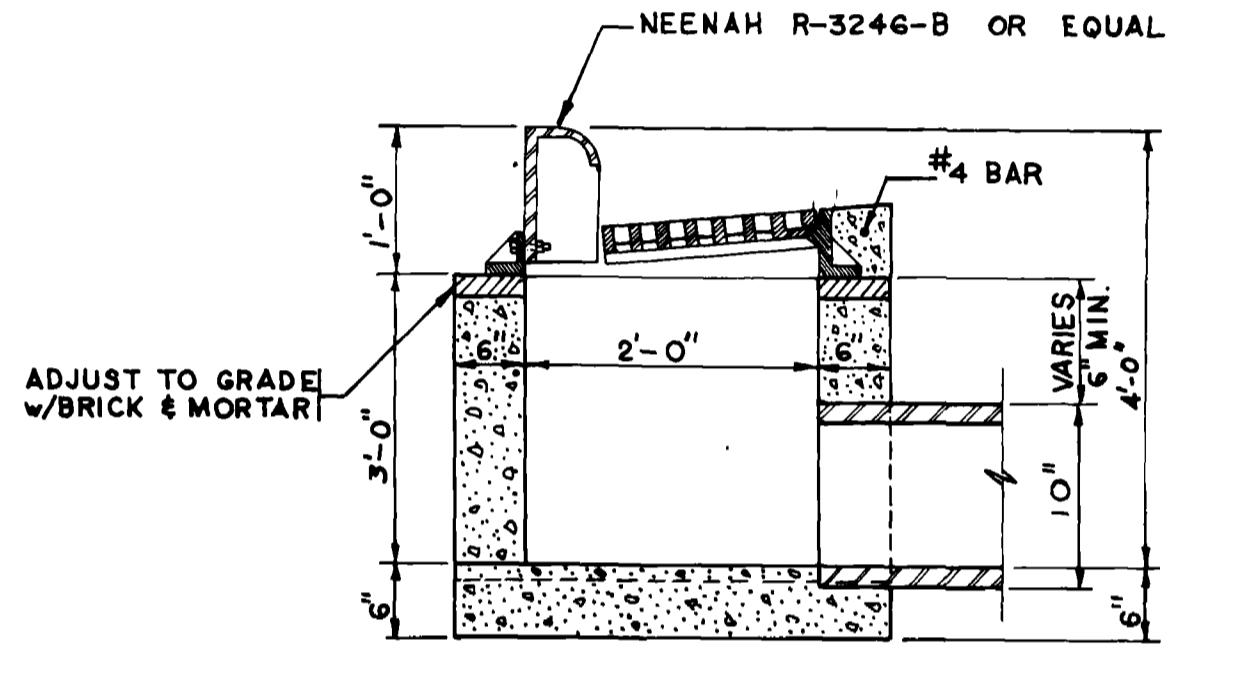
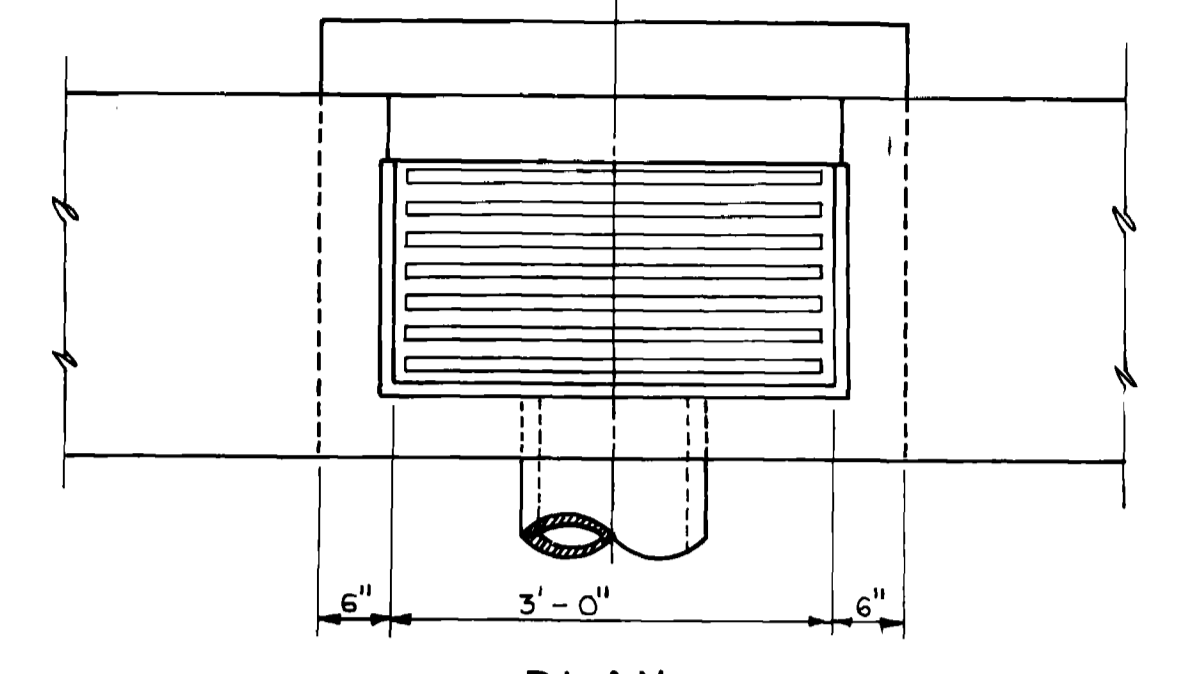


SCALE = 1" = 100'



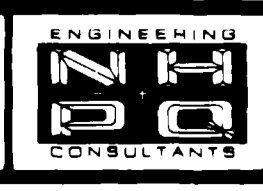
Note: Service Taps are not to be Connected to Manholes



INLET
CATCH BASIN DETAIL
For Sta. 4+20 Beechwood Street

NO.	BY	DATE	APPROVED	REVISIONS

DATE	DRAFTSMAN	DEPT. HEAD
SCALE	PROJECT ENGR.	CONST. REP.
1" = 100'	PROJECT MGR.	



NELSON - HALEY - PATTERSON AND QUIRK
ENGINEERING CONSULTANTS

SPRING VALLEY SANITARY SEWER PLAN

2	1
SHEETS	SHEET

