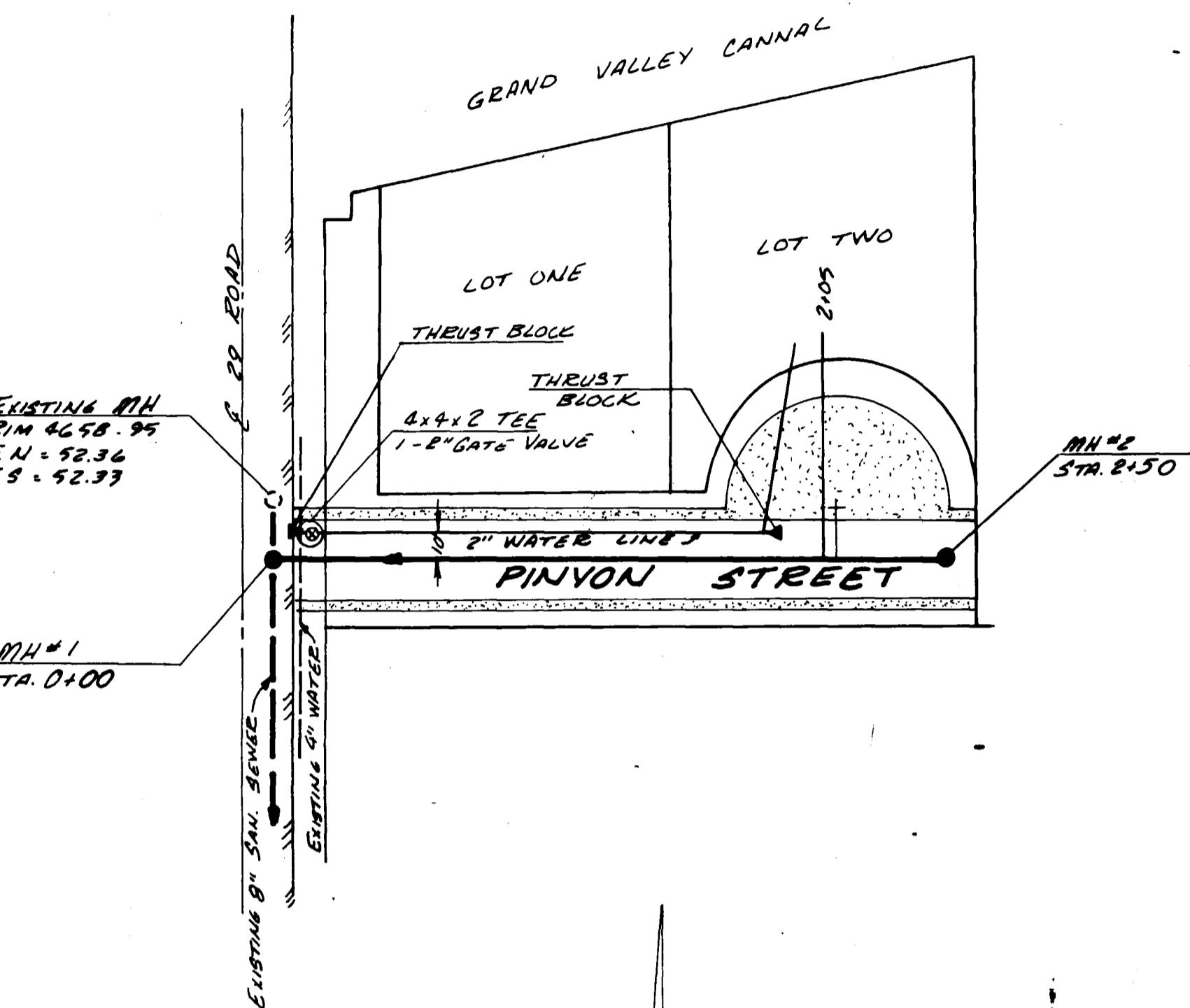
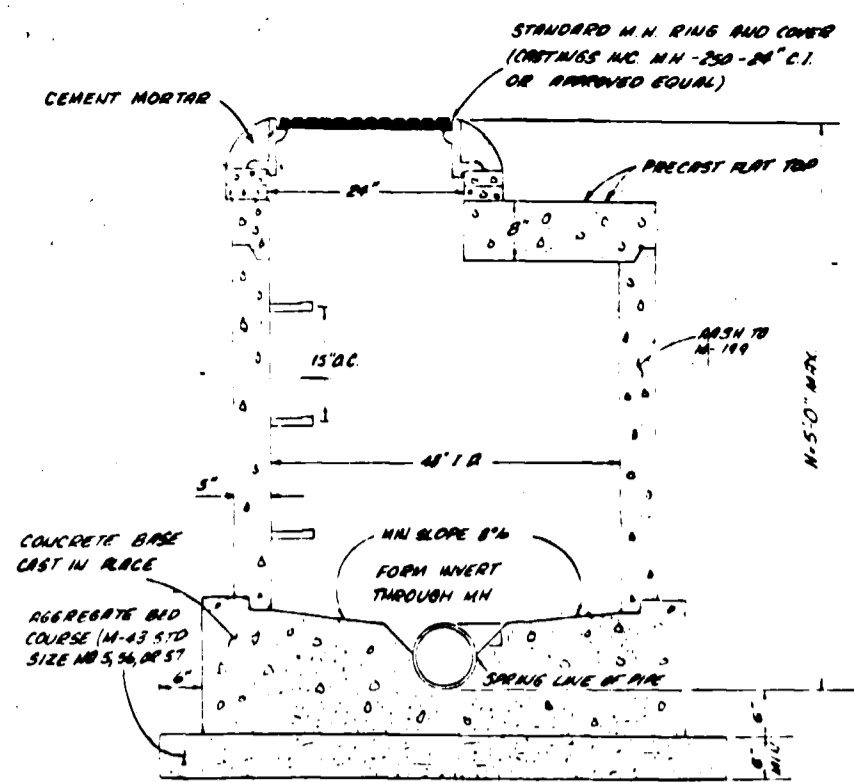
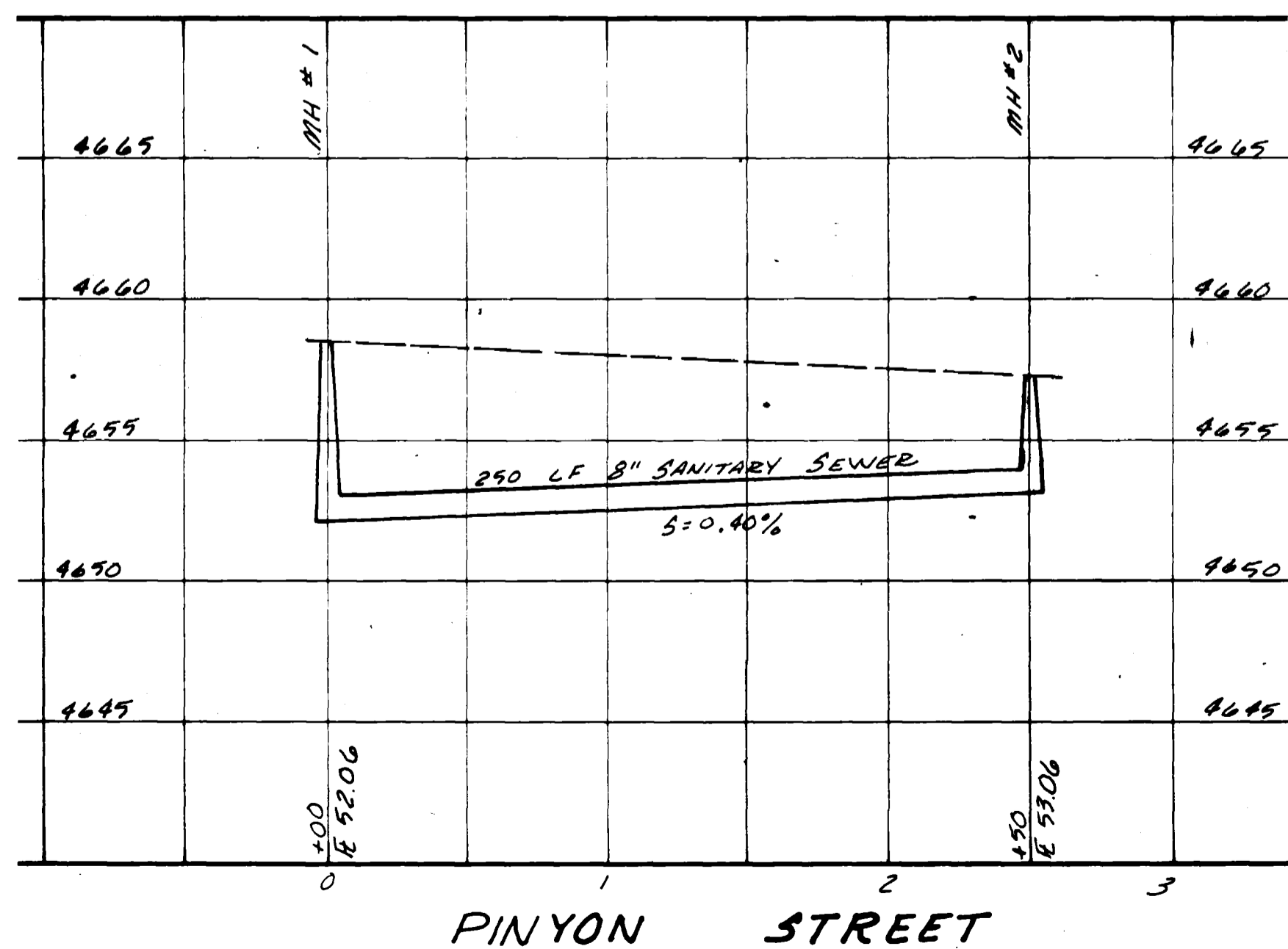


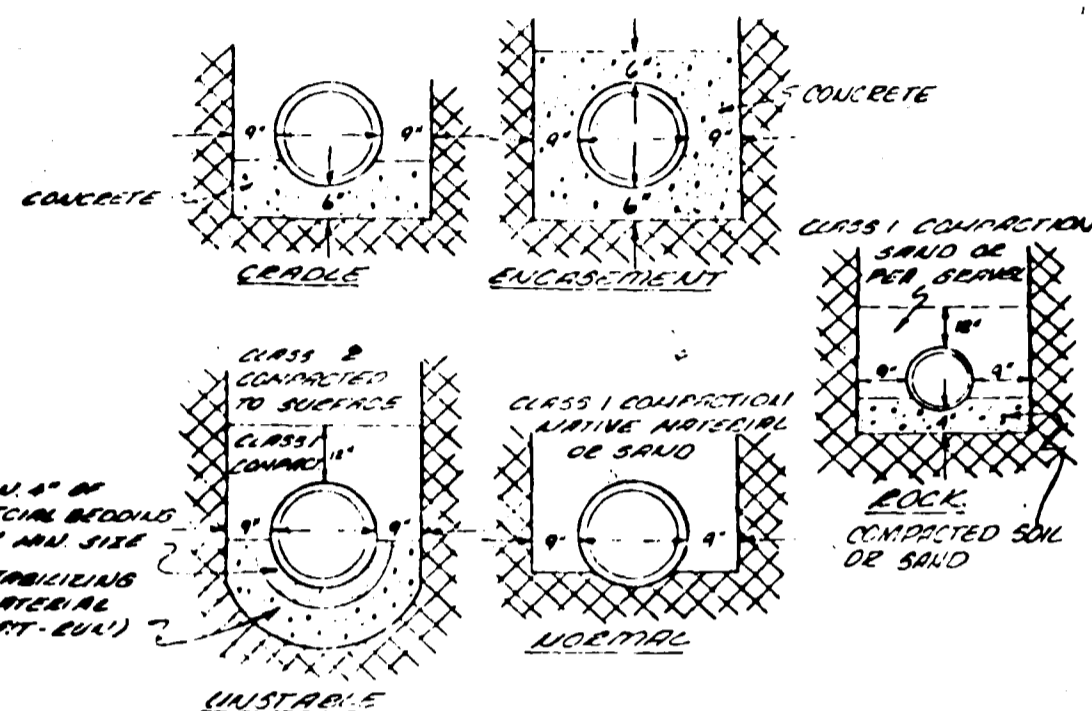
BM - E 1/2 AND 29 ROAD
BEARS CRP
ELEVATION 4654.02



SCALE 1"=50'

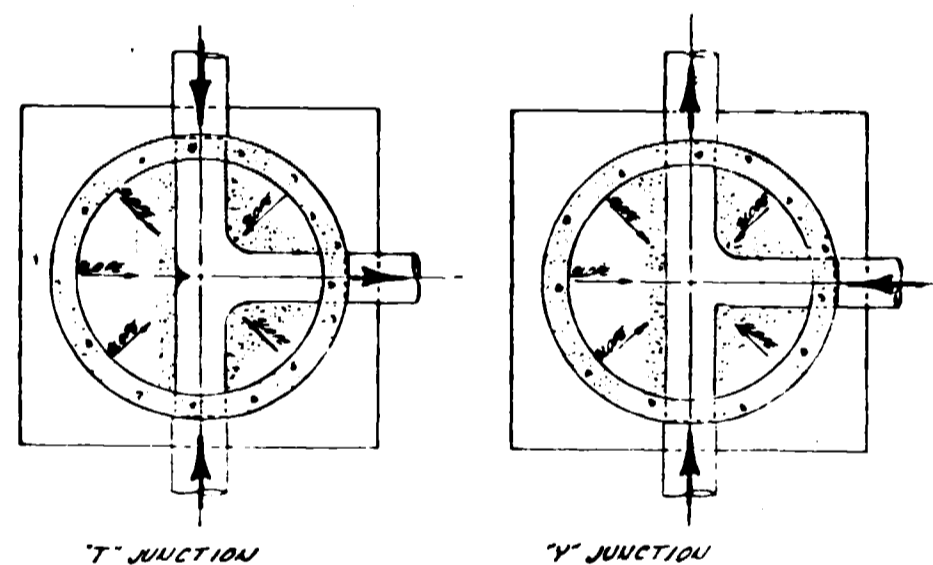


STANDARD SHALLOW MANHOLE

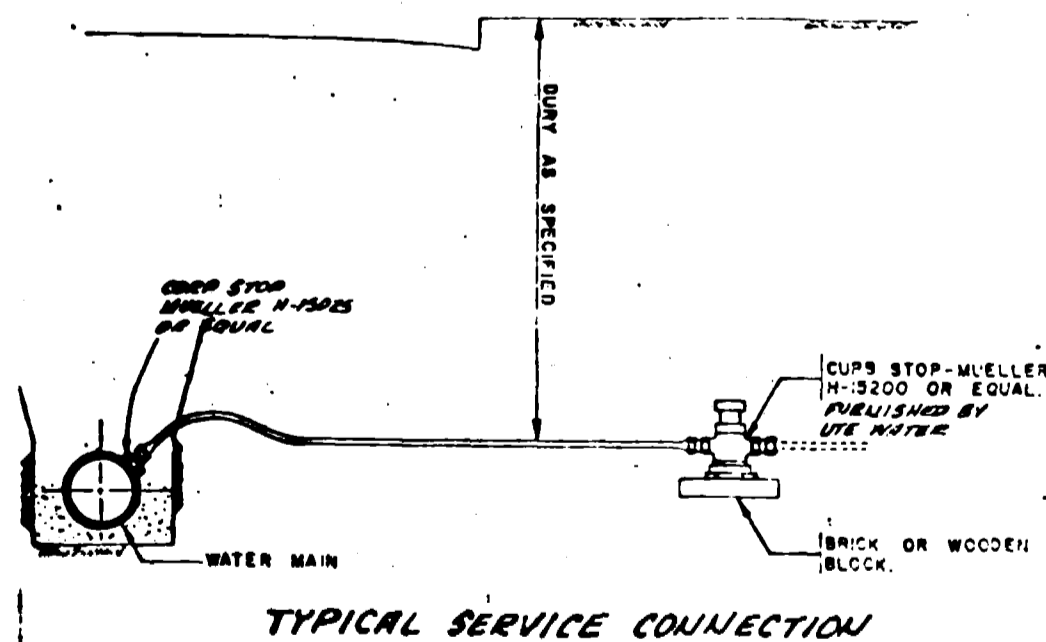


TYPICAL BEDDING DETAIL

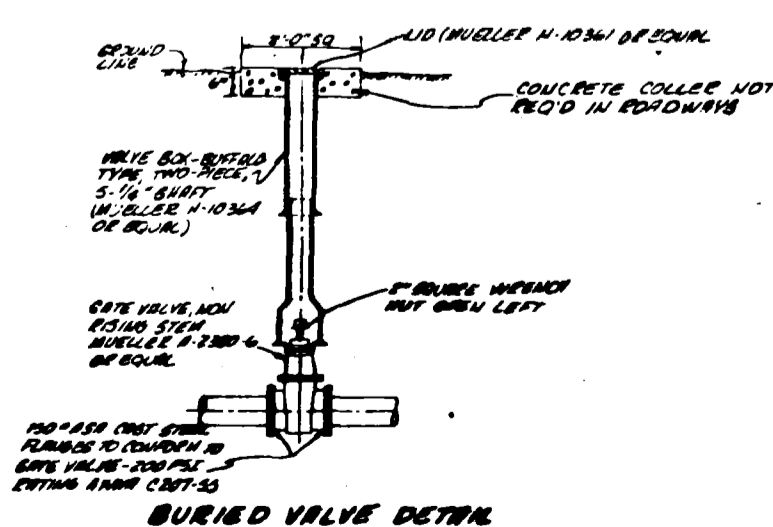
NOTE: HOLD DIG FOR BELL OR COUPLING



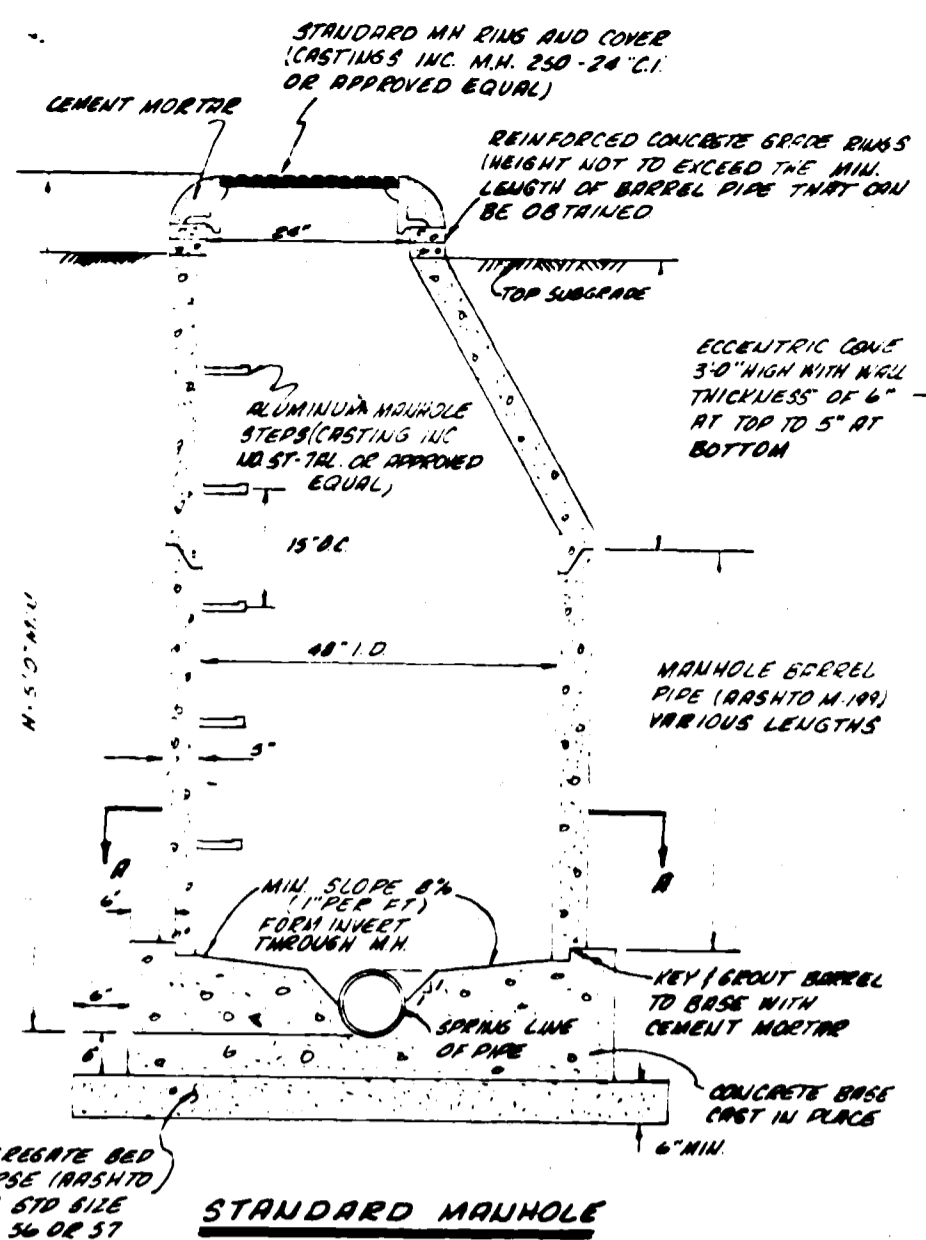
SECTION "A-A"



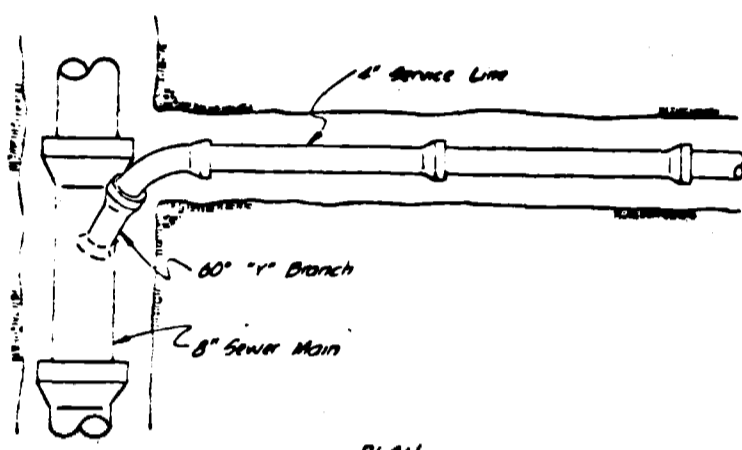
TYPICAL SERVICE CONNECTION



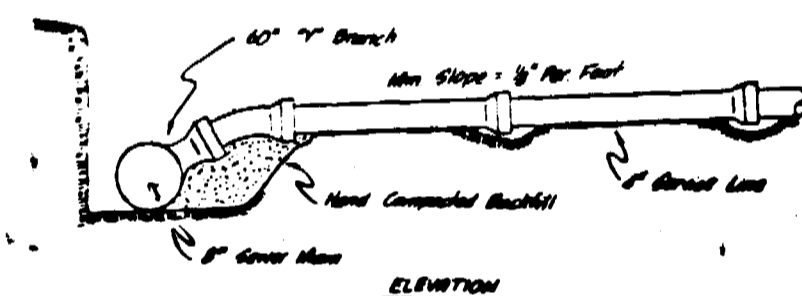
BURIED VALVE DETAIL



STANDARD MANHOLE



PLAN

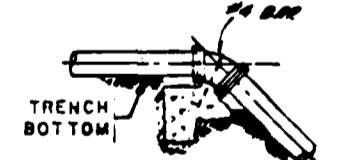


ELEVATION

STANDARD SERVICE CONNECTION

TABLE OF BARRING AREAS IN SQ. FT. FOR CONCRETE THRUST BLOCKS

SIZE	BENDS				TEES	GATE	DEAD ENDS
	90°	45°	22 1/2°	11 1/4°			
3	1.0	0.6	0.3	0	0.7	0.5	0.7
4	1.8	1.0	0.5	0	1.3	0.5	1.3
6	4.0	2.2	1.1	0	2.8	0.7	2.8
8	7.1	3.8	2.0	1.0	5.0	2.4	5.0
10	11.1	6.0	3.0	1.5	7.8	4.8	7.8
12	16.0	8.6	4.4	2.2	11.3	7.3	11.3

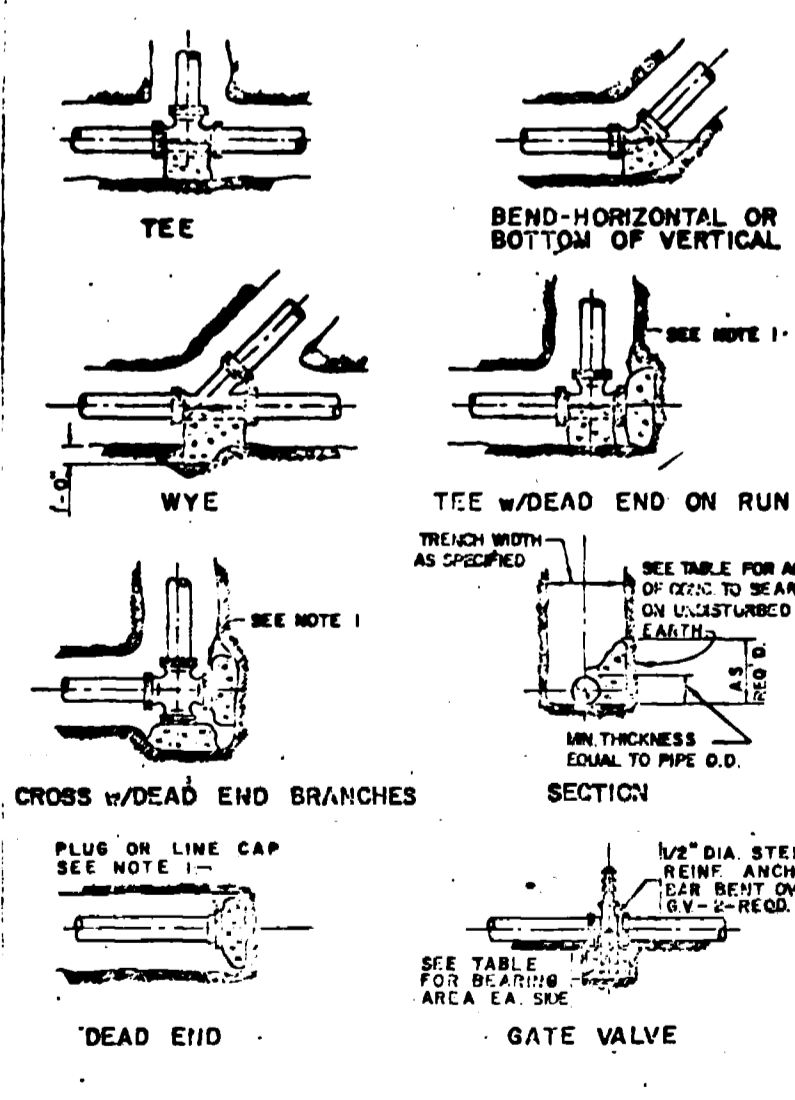


TOP OF VERT. BEND

TABLE OF VOLUMES OF CONCRETE (IN CU. FT.)

SIZE	90°	45°	22 1/2°	11 1/4°
3	1.0	0.6	0.3	0
4	1.8	1.0	0.5	0
6	4.0	2.2	1.1	0
8	7.1	3.8	2.0	1.0
10	11.1	6.0	3.0	1.5
12	16.0	8.6	4.4	2.2

- NOTES FOR DRAWINGS
- AT DEAD ENDS, WRAP FITTINGS WITH TAR PAPER, FELT, OR HEAVY BRIST PAPER TO PROVIDE BOND BREAK BETWEEN CONCRETE AND FITTING.
 - ALL THRUST BLOCKING SHALL BE CAST-IN-PLACE CONCRETE HAVING A MINIMUM YIELD STRENGTH OF 2000 PSI.
 - THRUST BLOCKING SHALL BE CAST AGAINST UNDISTURBED EARTH. POINTS SHALL BE USED AS REF. TO OBTAIN ADEQUATE BARRING AREA AND TO COMPENSATE FOR CONCRETE SHRINKAGE. THRUST BLOCKING SHALL BE CAST ON THE FITTING OR END CAP. DIRT AND GRAVEL SHOULD NOT BE ALLOWED TO BUILD OVER THE JOINT OR AGAINST THE FITTING.



SANITARY SEWER NOTES:
1. TOP OF ECCENTRIC CONE TO BE SET AT TOP OF SUBGRADE (STREET CONTRACTOR TO SET RIMS TO FINISHED GRADE OF STREET)
2. ALL CONSTRUCTION TO BE DONE IN ACCORDANCE WITH THE CENTRAL GRAND VALLEY SANITATION DISTRICT SPECIFICATIONS.

QUANTITIES:
250 LF 8" SANITARY SEWER
1 STANDARD MANHOLE
1 STANDARD SHALLOW MANHOLE
1 4" SERVICE LINE

WATER NOTES:
1. ALL CONSTRUCTION TO BE DONE IN ACCORDANCE WITH THE UTE WATER CONSERVANCY DISTRICT SPECIFICATIONS.
2. SEWER AND WATER SERVICES SHALL HAVE A MINIMUM SEPARATION OF 10' AT ALL TIMES.

QUANTITIES
175 LF 8" WATER LINE
1 2" GATE VALVE
1 SERVICE CONNECTIONS

APPROVED _____ DATE _____
CENTRAL GRAND VALLEY SANITATION DIST.
APPROVED _____ DATE _____
UTE WATER CONSERVANCY DISTRICT

AS BUILT DRAWINGS

CHECKED
R. HANDY
DATE
MARCH 1979
SCALE
AS SHOWN

REVISIONS	BY

PARAGON ENGINEERING, INC.
P.O. BOX 2872
GRAND JUNCTION, COLORADO 81501 (303) 243-9886



WOOD'S SUBDIVISION
MESA COUNTY, COLORADO
SANITARY SEWER & WATER PLANS

SHEET
1
OF 1 SHEETS