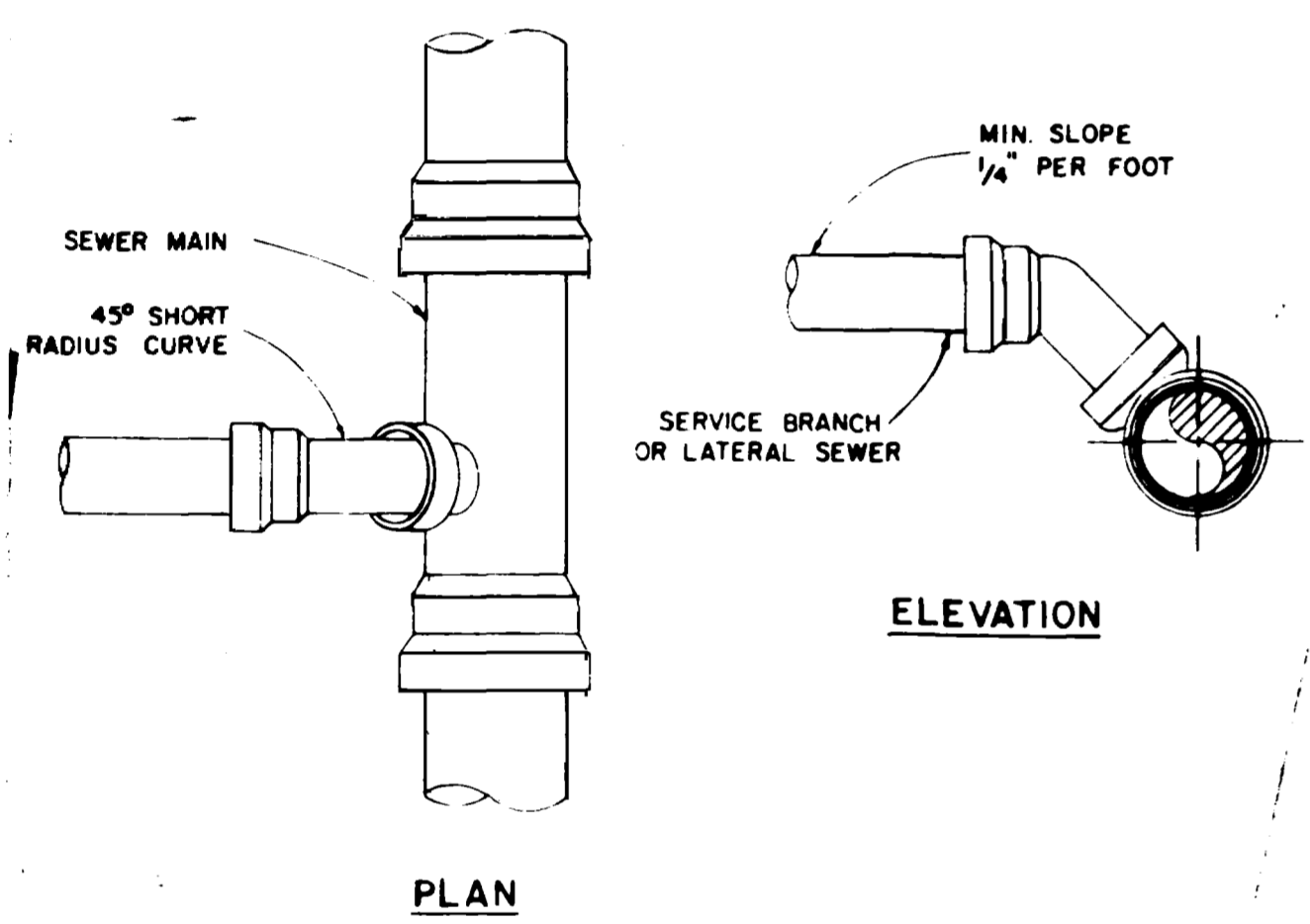
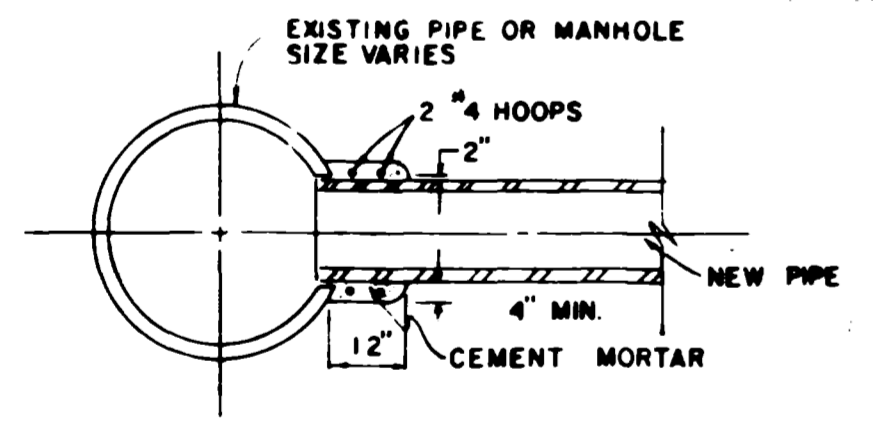


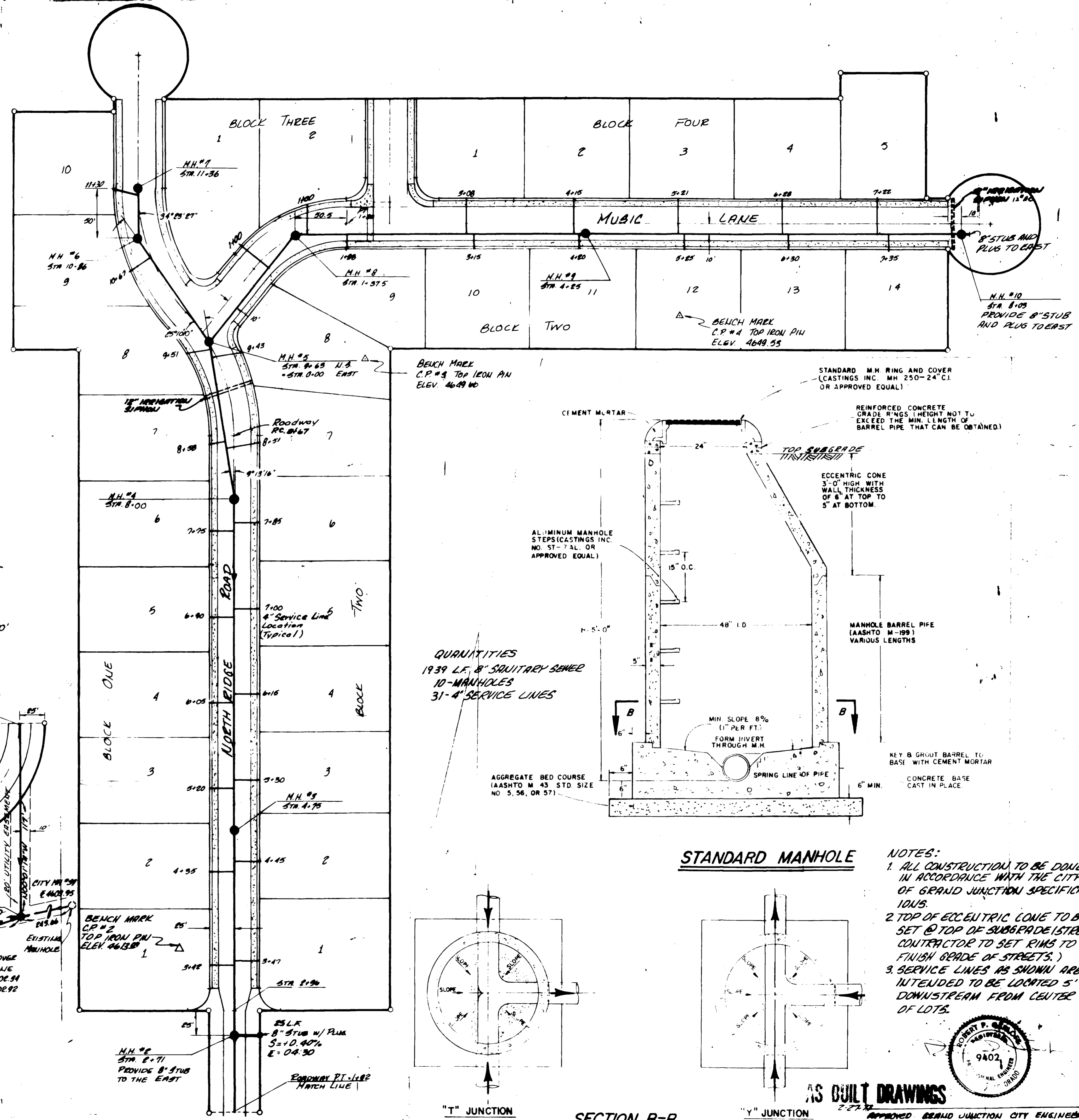
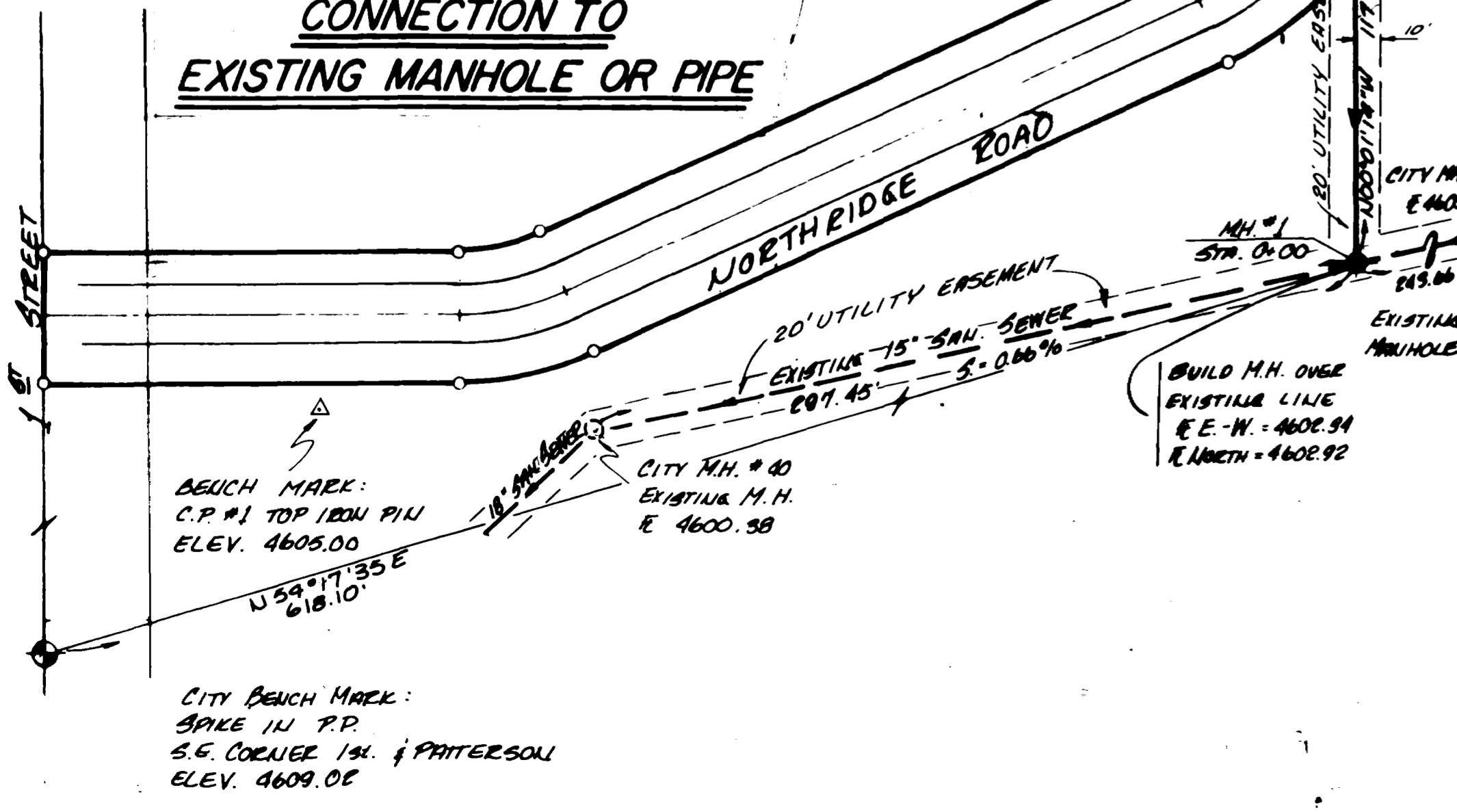
STANDARD SHALLOW MANHOLE



TYPICAL LATERAL "T" CONNECTIONS

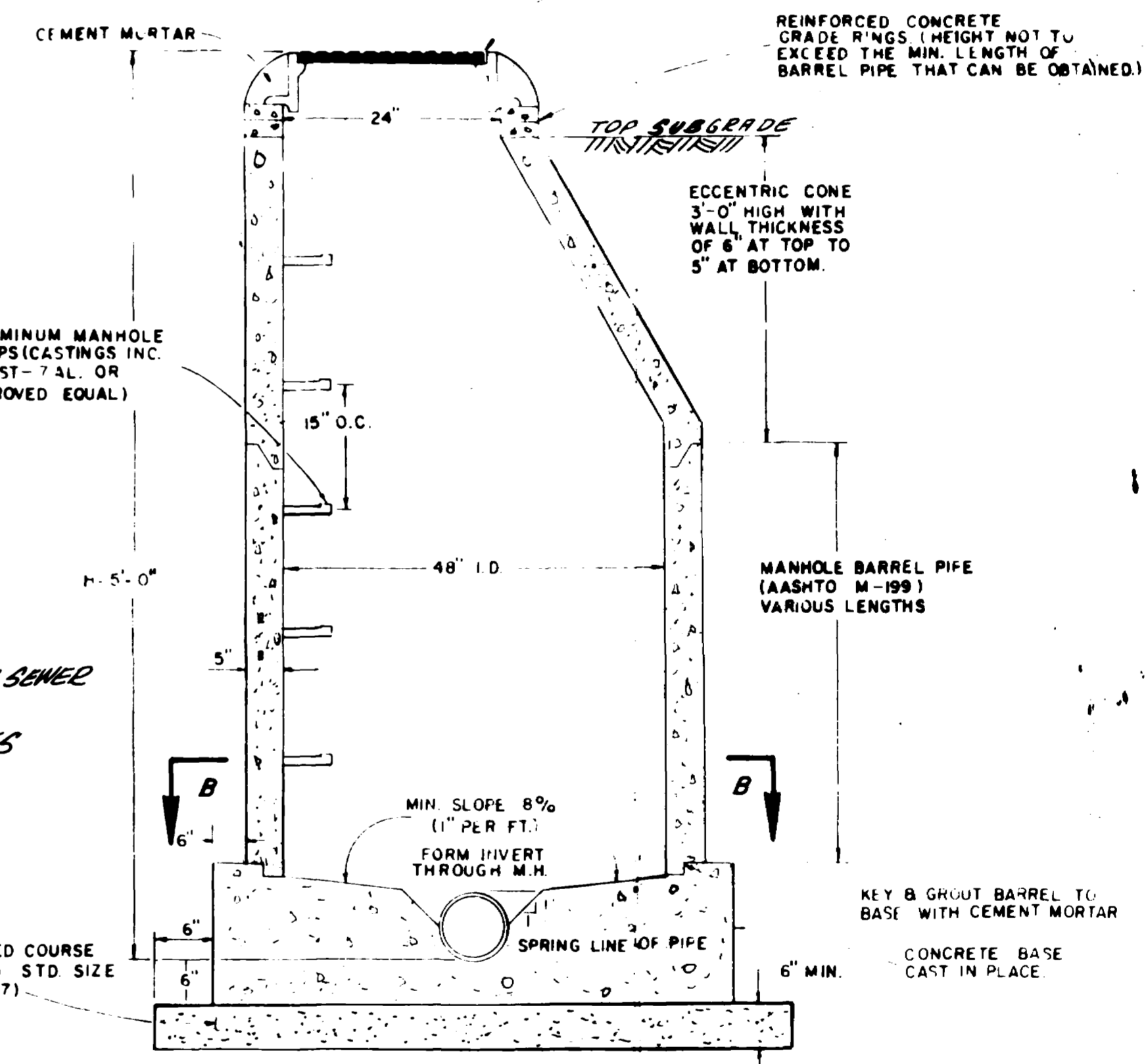


CONNECTION TO EXISTING MANHOLE OR PIPE

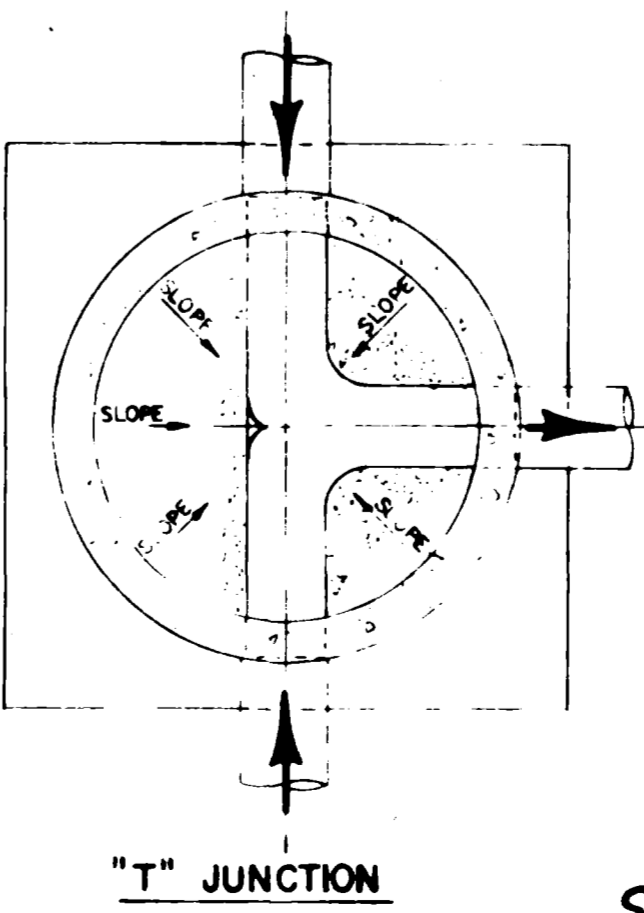


BENCH MARK
C.P. #2 TOP IRON PIN
ELEV. 4649.55

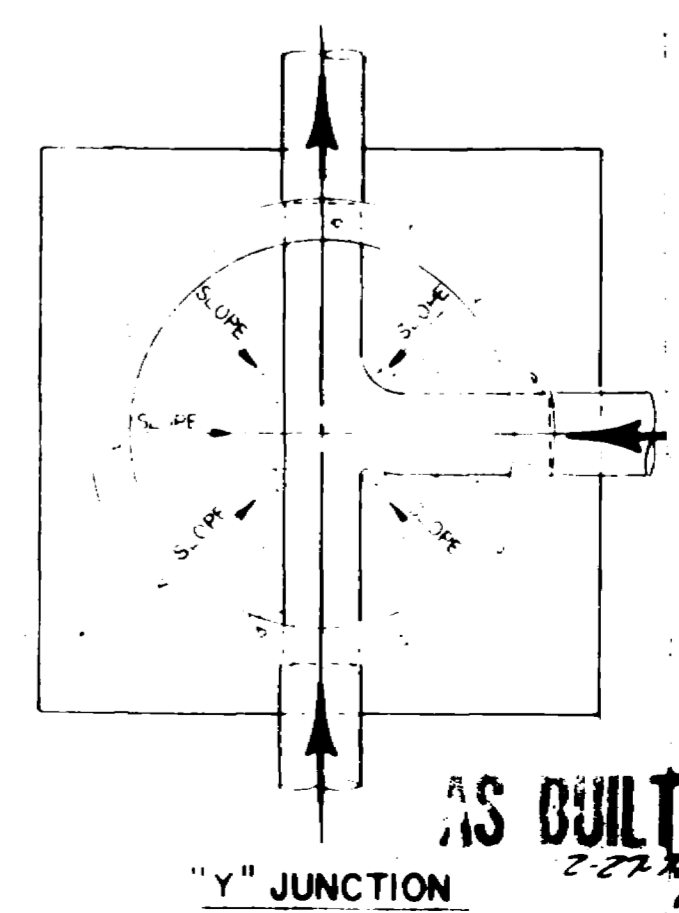
STANDARD M.H. RING AND COVER
(CASTINGS INC. M.H. 250-24\"/>



STANDARD MANHOLE



SECTION B-B



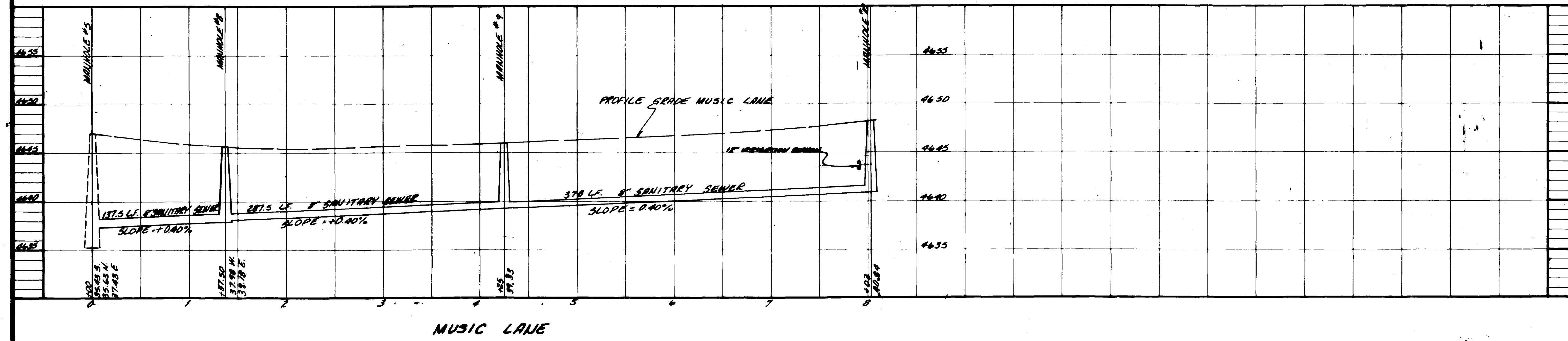
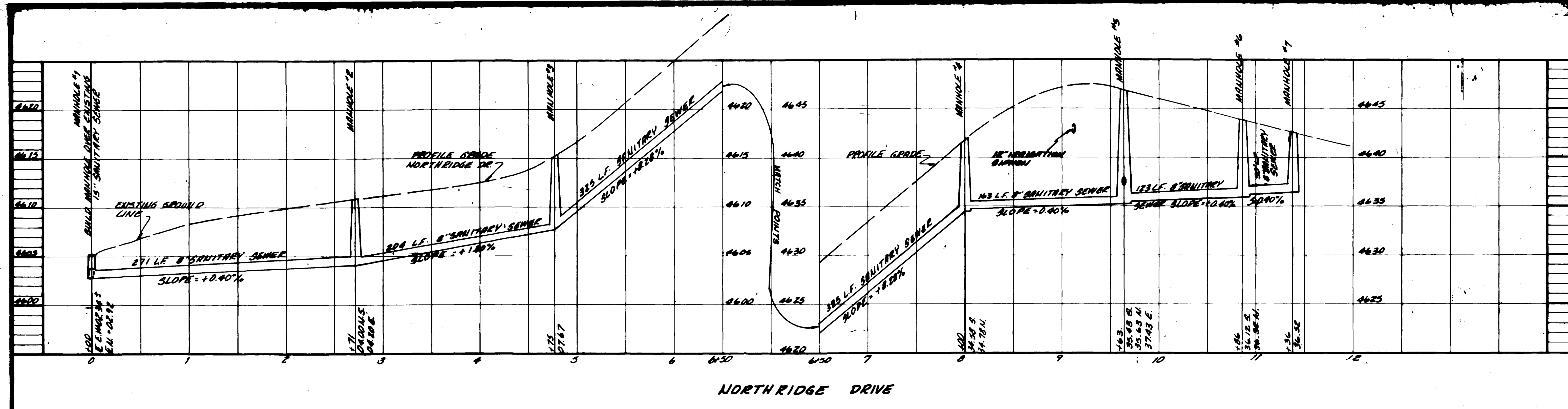
AS BUILT DRAWINGS

- NOTES:**
1. ALL CONSTRUCTION TO BE DONE IN ACCORDANCE WITH THE CITY OF GRAND JUNCTION SPECIFICATIONS.
 2. TOP OF ECCENTRIC CONE TO BE SET @ TOP OF SUBGRADE (STREET CONTRACTOR TO SET RIMS TO FINISH GRADE OF STREETS.)
 3. SERVICE LINES AS SHOWN ARE INTENDED TO BE LOCATED 5' DOWNSTREAM FROM CENTER OF LOTS.



APPROVED GRAND JUNCTION CITY ENGINEER
DATE

ROBERT P. SEALOFF
 Professional Engineer
 No. 9402
 STATE OF COLORADO
 EXPIRES 12/31/2011
 SAUITY SENCE
 PLAN & DETAILS
 NORTHEDGE ESTIMATES
 FILING NO. ONE
 1 of 2



AS BUILT DRAWINGS
12-27-77

NORTH RIDGE ESTATES
 FILING NO ONE
 SANITARY SEWER PROFILES
 WRT. MARCH 1977
 ROBERT P. SELOFS
 Engineering Consultant
 1515 W. 12th St.
 DENVER, CO 80202