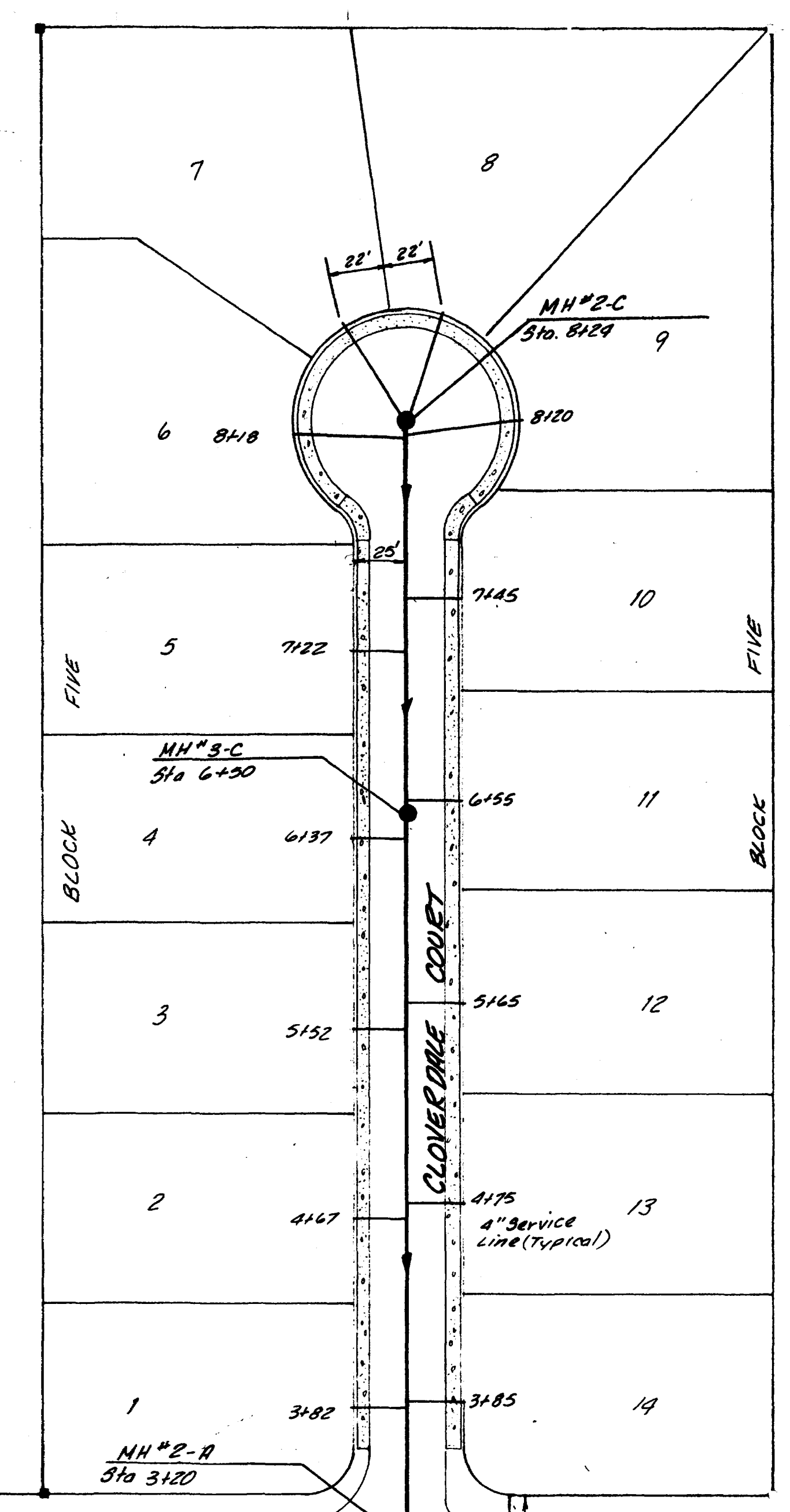
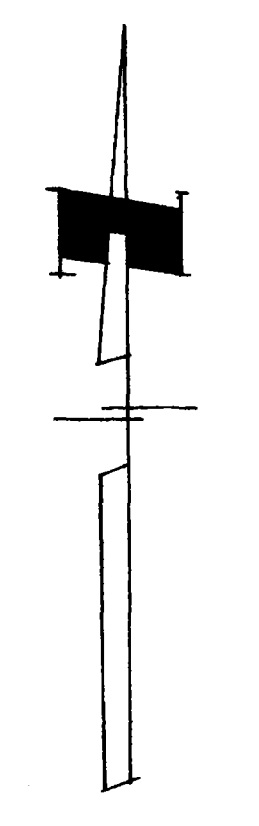


**STANDARD MANHOLE**

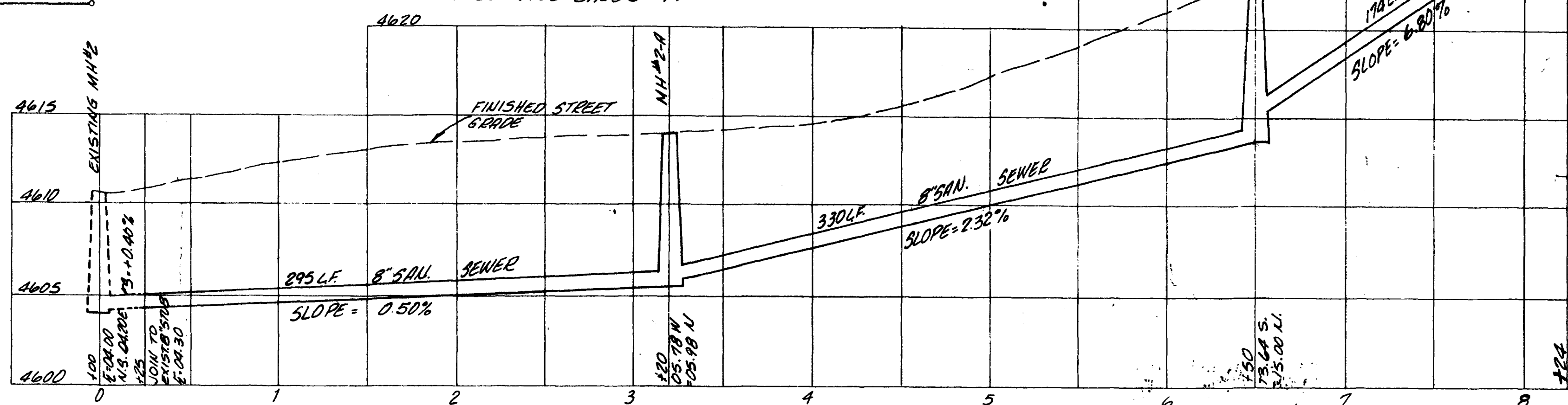


EXISTING 8" SAN. SEWER  
NORTH RIDGE DRIVE

EXISTING MH #2  
Sta 2+71 U.S.  
= 0+00 E.

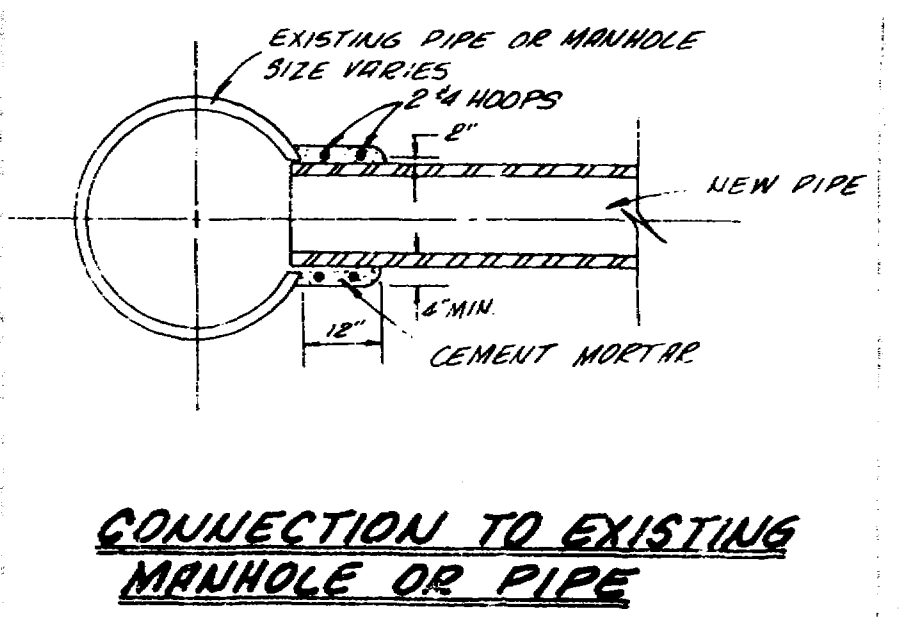
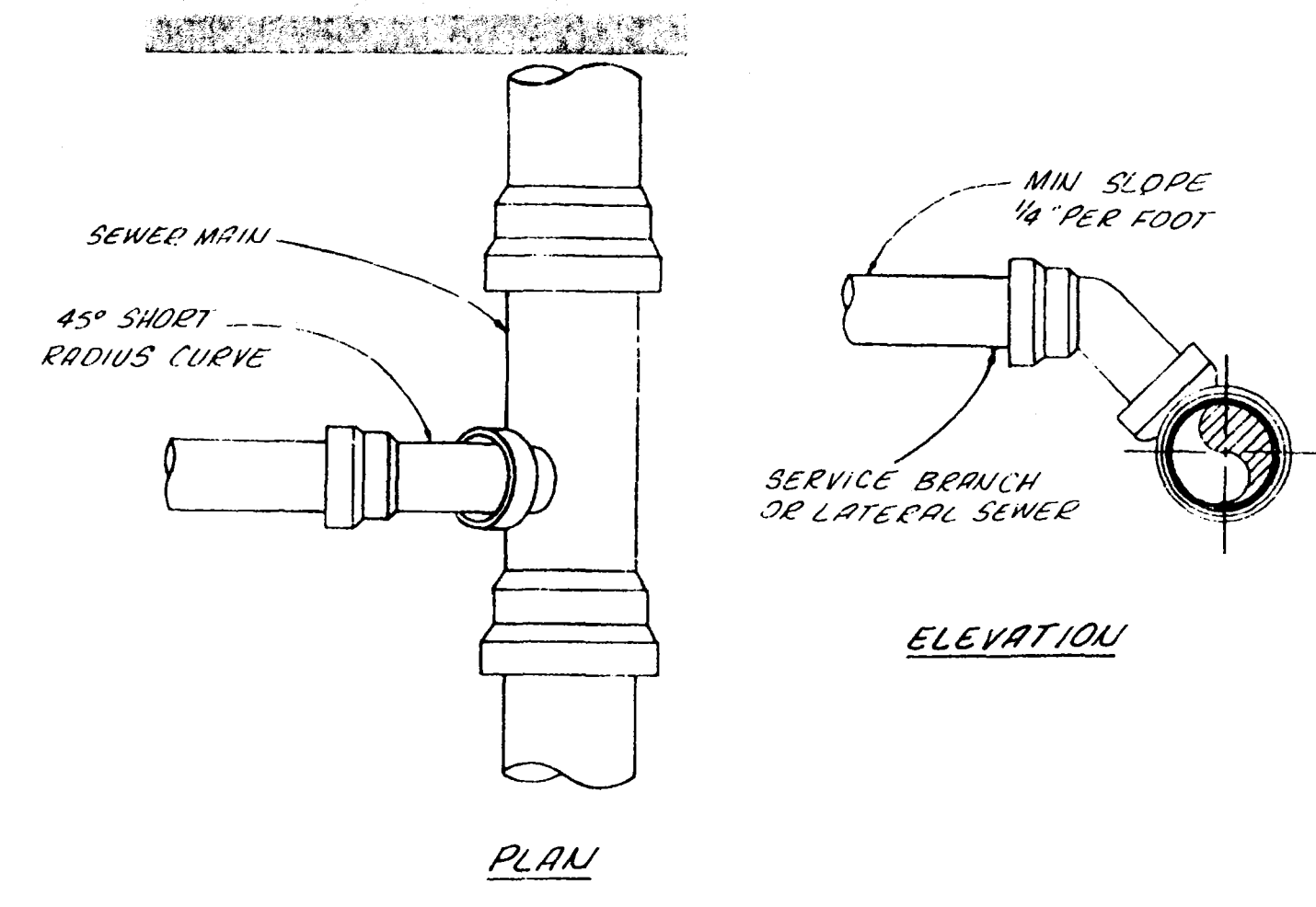
CITY BENCH MARK  
SPIKE IN PP  
S.E. COR. 1st & PATTERSON  
ELEV. 46.09.02

KINGSWOOD DRIVE

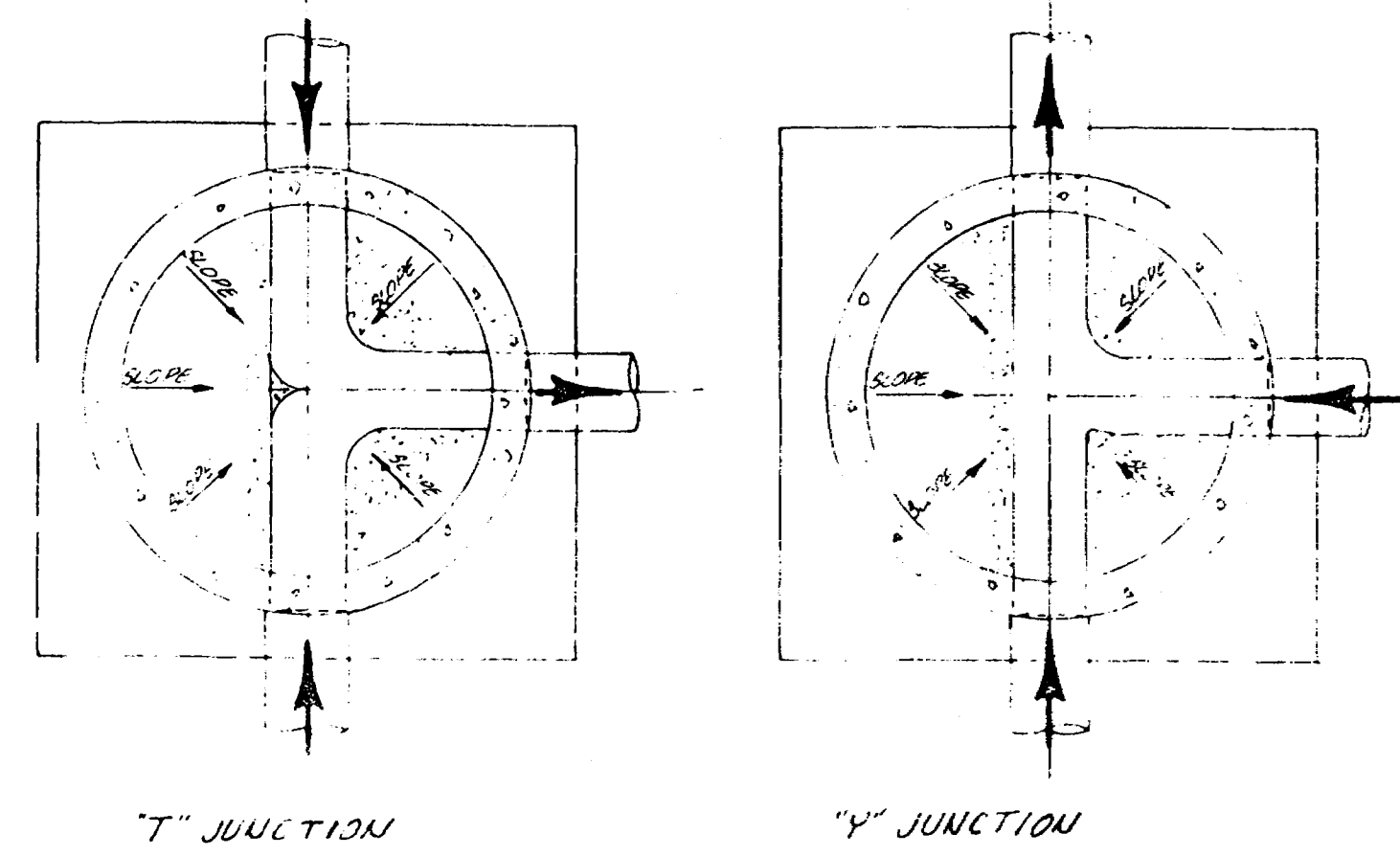


SCALE 1"=5' VERT.  
1"=50' HORIZ.

**TYPICAL LATERAL T CONNECTIONS**



**CONNECTION TO EXISTING MANHOLE OR PIPE**



**SECTION "A-A"**

- NOTES:**
1. ALL CONSTRUCTION TO BE DONE IN ACCORDANCE WITH THE CITY OF GRAND JUNCTION SPECIFICATIONS.
  2. TOP OF ECCENTRIC CONE TO BE SET @ TOP OF SUBGRADE (STREET CONTRACTOR TO SET RIMS TO FINISH GRADE OF STREETS).
  3. SERVICE LINES AS SHOWN ARE INTENDED TO BE LOCATED 5' DOWNSTREAM FROM CENTER OF LOTS.

- QUANTITIES**
- MANHOLES - 3
  - 8" SANITARY SEWER - 199 LF.
  - 4" SERVICE LINES - 14

**AS BUILT DRAWING**

NORTH RIDGE ESTATES FILING NO TWO GRAND JUNCTION, COLORADO  
 SANITARY SEWER PLAN PROFILE & DETAILS  
 APRIL 1977  
 ROBERT P. GERLOFS  
 ENR 9 Co SUFFIN  
 12-27-77  
 02010000