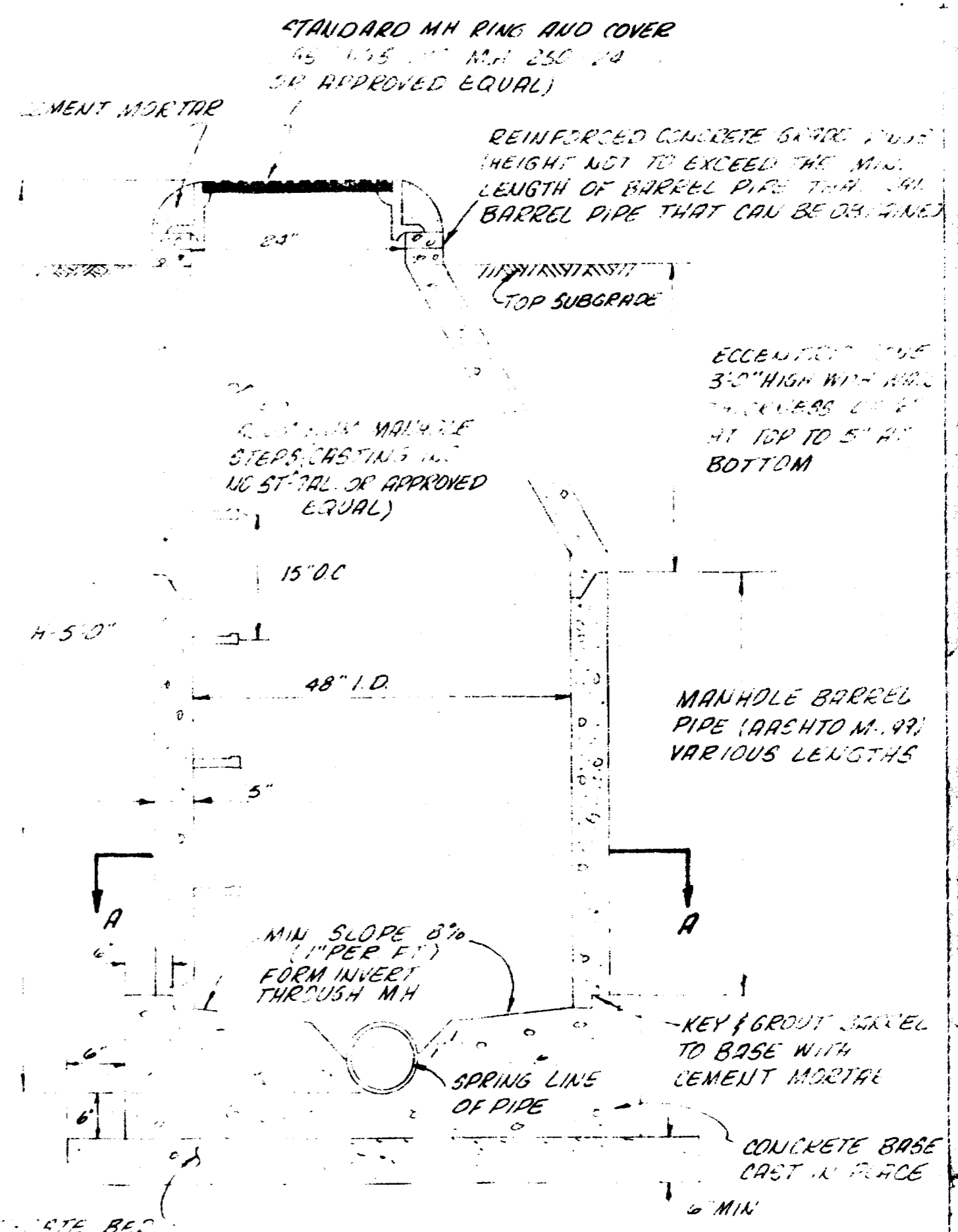
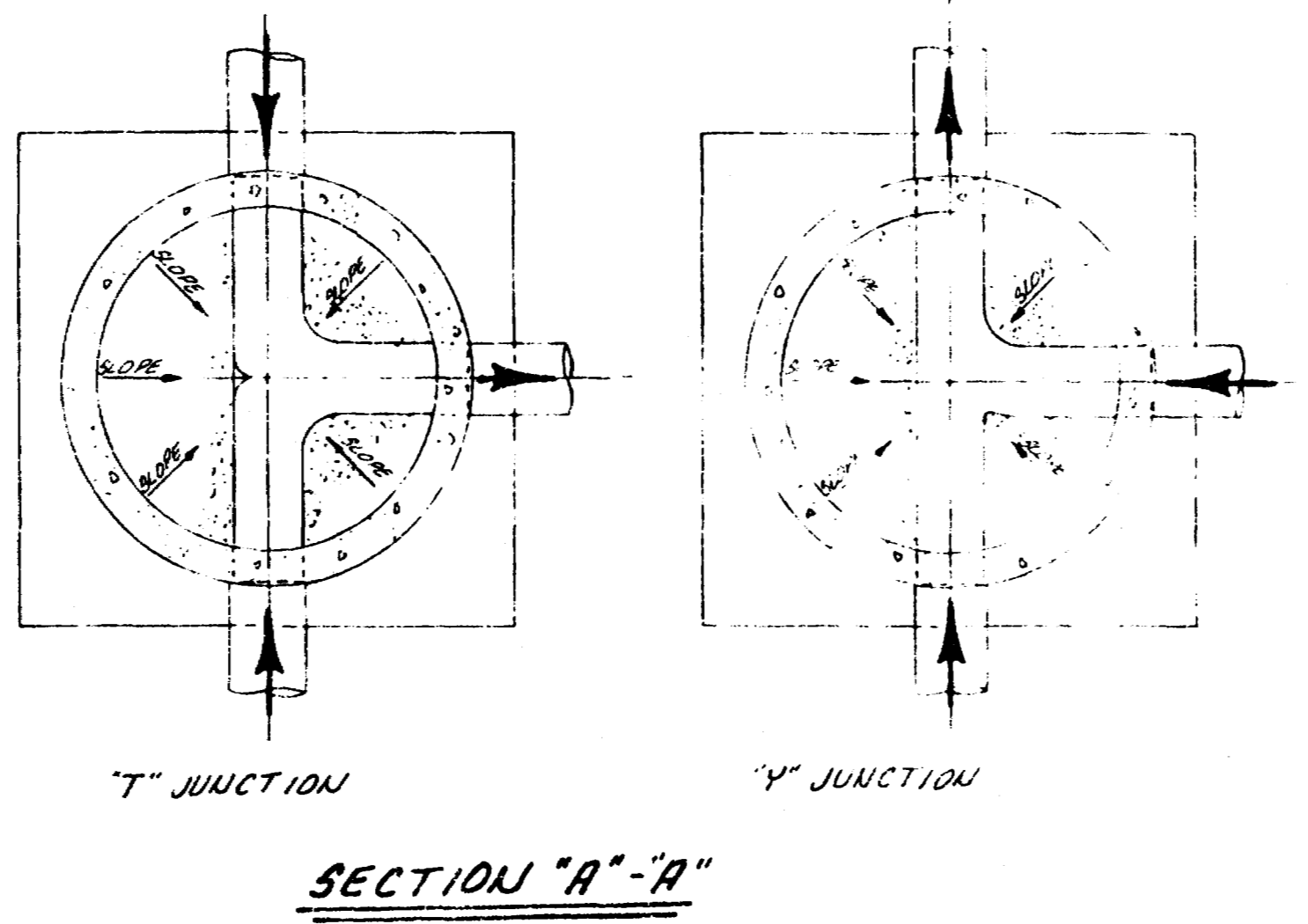
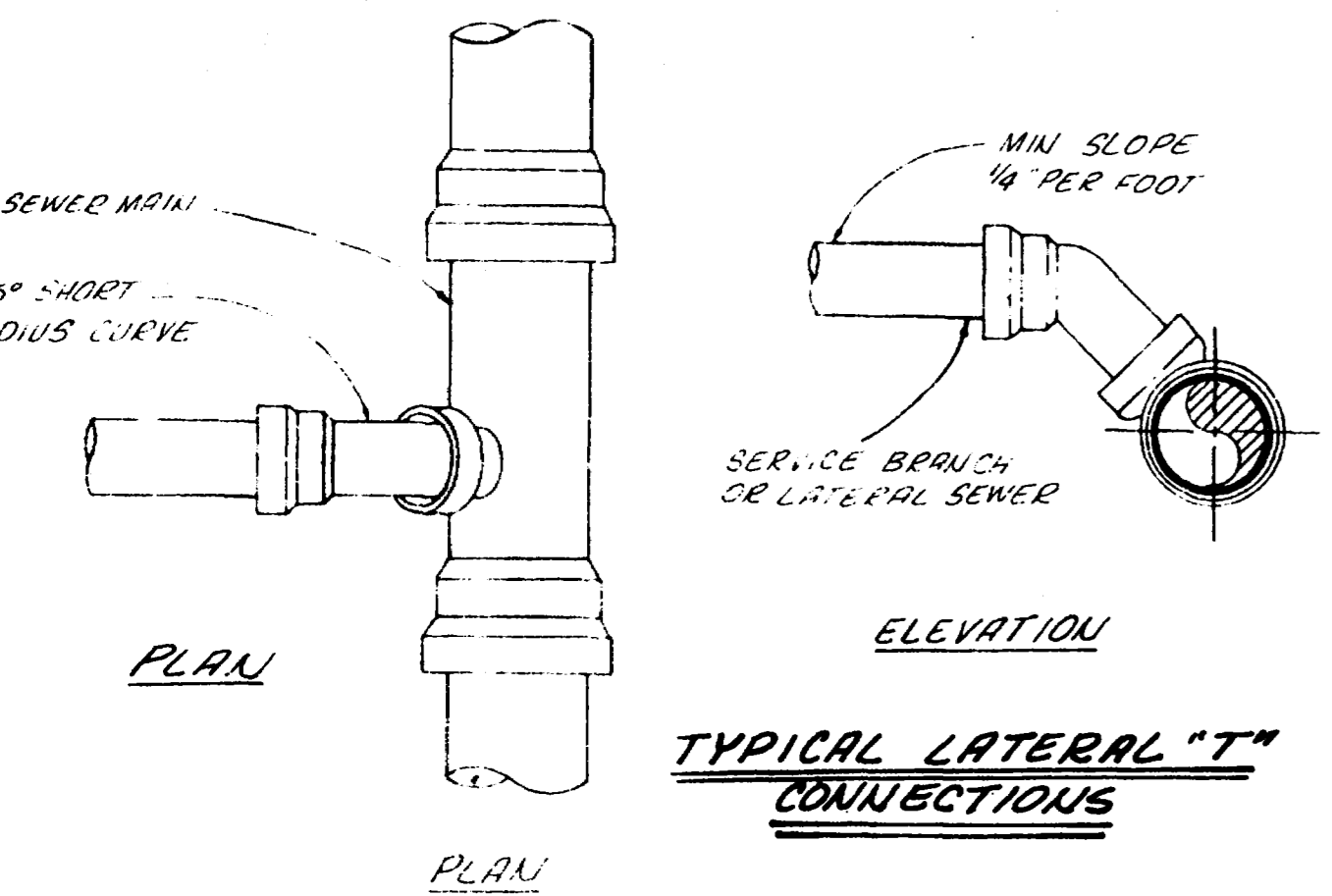


STANDARD SHALLOW MANHOLE



STANDARD MANHOLE



QUANTITIES
 8" SANITARY SEWER = 2571 LF
 MANHOLES = 11
 4" SERVICE CONNECTIONS = 51

APPROVED: *[Signature]* DATE: July 8, 1977
 CENTRAL GRAND VALLEY SANITATION DIST.

AS BUILT DRAWINGS

2" LINE AND
 4" LINE
 REVISED 12/13/77

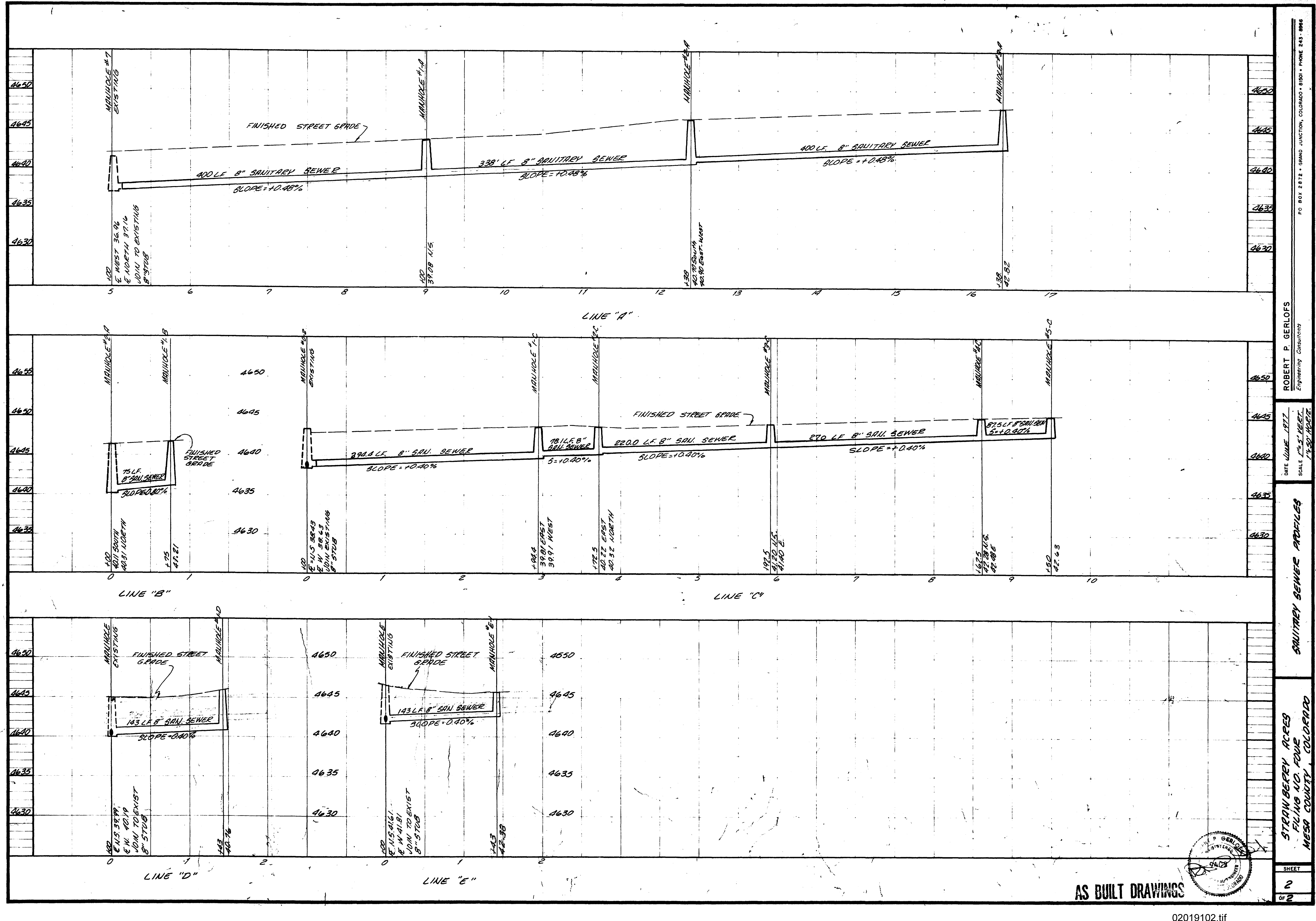
ROBERT P. GERLOFS
 Engineering Consultants

DATE: JULY 1977
 SCALE: 1"=50'

SANITARY SEWER PLAN
 AND DETAILS

STRANBERY ACRES
 FLING LO. FAIR
 MESH COUNTY, COLORADO

SHEET
 1
 OF 2



ROBERT P. GERLOFS
 Engineering Consultants
 P.O. BOX 2878 • GRAND JUNCTION, COLORADO • 81501 • PHONE 243-8896

DATE: JUNE 1977
 SCALE: 1" = 5' VERT.
 1" = 50' HORIZ.

SANITARY SEWER PROFILES

STRAWBERRY ACRES
 FILING NO. F09E
 MESO COUNTY, COLORADO

SHEET
 2
 OF 2

AS BUILT DRAWINGS

