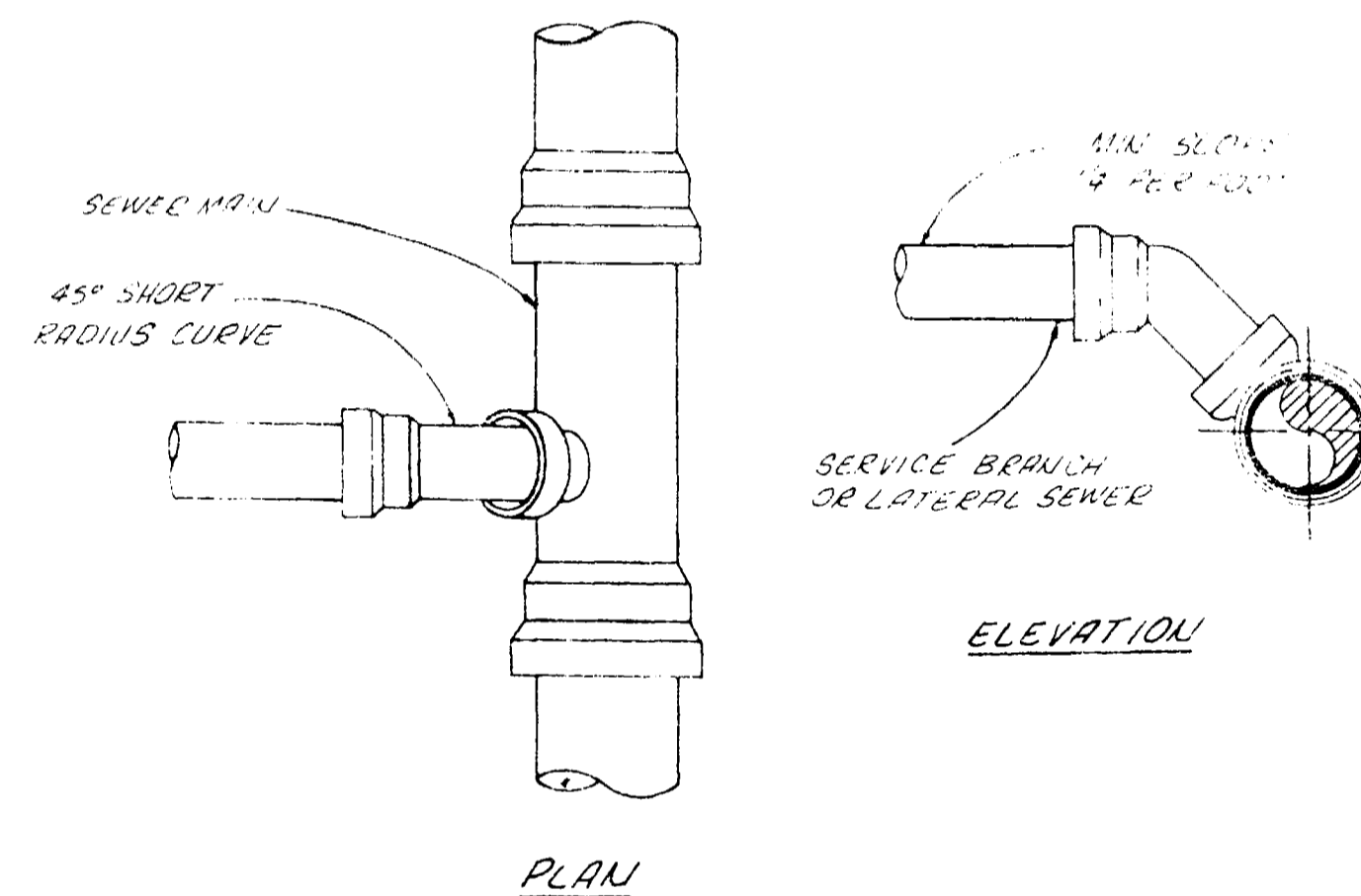
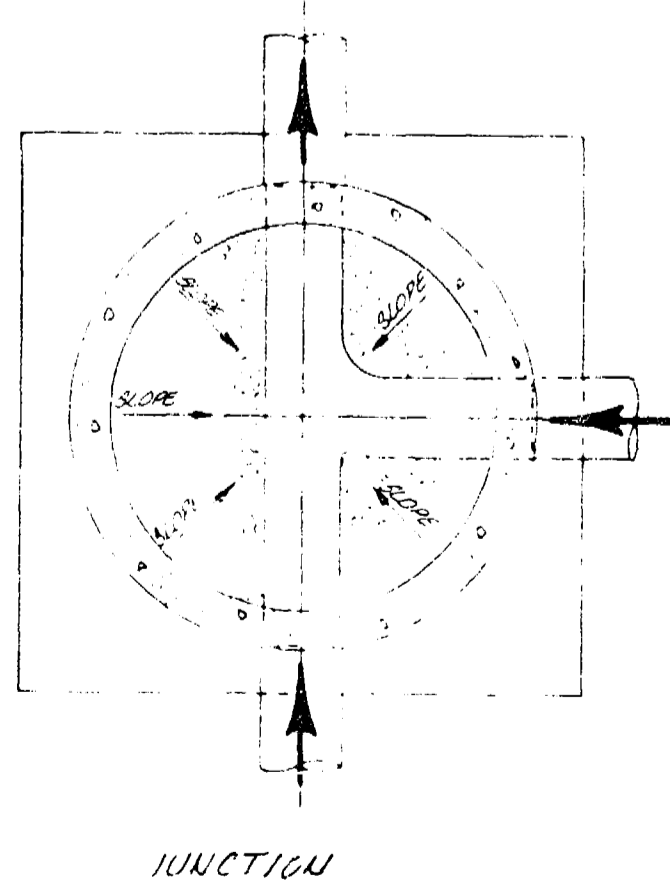


STANDARD SHALLOW MANHOLE



TYPICAL LATERAL "T" CONNECTIONS

- NOTES
1. TOP OF ECCENTRIC COUPE TO BE SET @ TOP OF SUBGRADE (STREET CONTRACTOR TO SET RIMS TO FINISH GRADE OF STREET.)
 2. ALL CONSTRUCTION TO BE DONE IN ACCORDANCE WITH THE ORCHARD MESA SANITATION DISTRICT SPECIFICATIONS.

AS BUILT DRAWINGS
12 27 7

APPROVED Kenneth O. Snyder DATE 10/24/77
ORCHARD MESA SANITATION DISTRICT

ROBERT P. GERLOFS
-Engineering Consultants-

DATE 10/24/77
SCALE 1" = 50'
SHEET 1 OF 1

SANITARY SEWER
PLAN AND PROFILE

ORCHARD MESA COMMERCIAL PARK
MESA COUNTY, CALIFORNIA